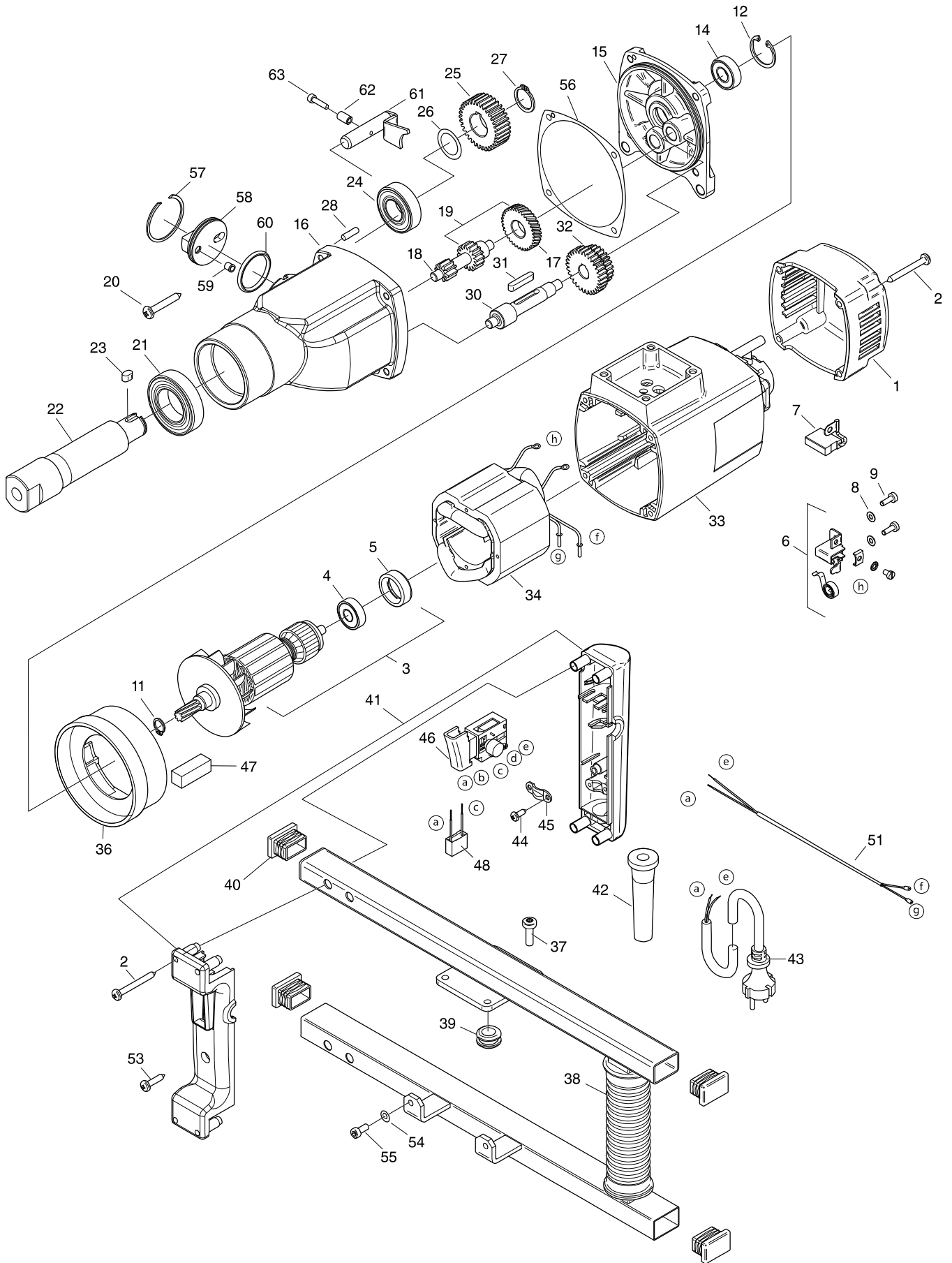


Numéro du modèle UT1600 POWER MIXER



Position	Référence pièce	Description	Echelle	QTE	N/O	Option 1	Option 2	COMMENTAIRE
001	EE80900082	CAP		1				
002	EE80201267	SELF TAPPING SCREW		8				
003	EE77427100	ROTOR COMPLETE		1				
004	EE80410021	GROOVED BALL BEARING		1				
005	EE83000031	BEARING CAP		1				
006	EE80201199	BRUSH HOLDER		2				
007	EE80700019	PAIR OF BRUSHES		2				
008	EE80201385	LOCK WASHER		4				
009	EE80201180	SELF TAPPING SCREW		4				
011	EE80201320	LOCKING RING		1				
012	EE80201333	LOCKING RING		1				
014	EE80410031	GROOVED BALL BEARING		1				
015	EE77M4161U	END SHIELD OF GEARING		1				
016	EE77M4140U	GEARBOX HOUSING / CASING		1				
017	EE7432K470	INTERMEDIATE WHEEL		1				
018	EE7432K500	SHAFT		1				
020	EE80201292	SELF TAPPING SCREW		4				
021	EE80410071	GROOVED BALL BEARING		1				
022	EE77796420	WORK SPINDLE		1				
023	EE80200604	FITTING KEY		1				
024	EE80410051	GROOVED BALL BEARING		1				
025	EE7432K430	SPINDLE WHEEL		1				
026	EE80200509	FITTING WASHER		1				
027	EE80201324	LOCKING RING		1				
028	EE80200582	NOTCHED PIN PLUG		1				
030	EE7432K460	SHAFT		1				
031	EE80200602	FITTING KEY		1				
032	EE7432K440	GEAR BLOCK/ CLUSTER GEAR		1				
033	EE80900404	MOTOR HOUSING		1				
034	EE7742A150	STATOR COMPLETE		1				
036	EE80900160	AIR GUIDING RING		1				
037	EE80201278	PLASTIC SCREW		4				
038	EE77M41590	BOW HANDLE		1				
039	EE83000051	CABLE GROMMET		2				
040	EE80900000	COVER CAP		4				
041	EE80900098	PAIR OF HANDLE HALVES		1				
042	EE83000004	CABLE GROMMET		1				
043	EE80600060	CONNECTING CABLE		1				
044	EE80201270	SELF TAPPING SCREW		2				
045	EE85000020	WIRE LOCKING FLANGE		1				
046	EE80600510	SWITCH		1				
047	EE80600306	CONTACT WASHER / SPACER		1				
048	EE80500010	ANTI PARASITE CONDENSER		1				
051	EE80600072	INTERCONNECTING WIRE		1				
053	EE80201280	SELF TAPPING SCREW		1				
054	EE80201302	LOCK WASHER		2				
055	EE80201103	SCREW		2				
056	EE82000051	GEARBOX SEAL		1				

