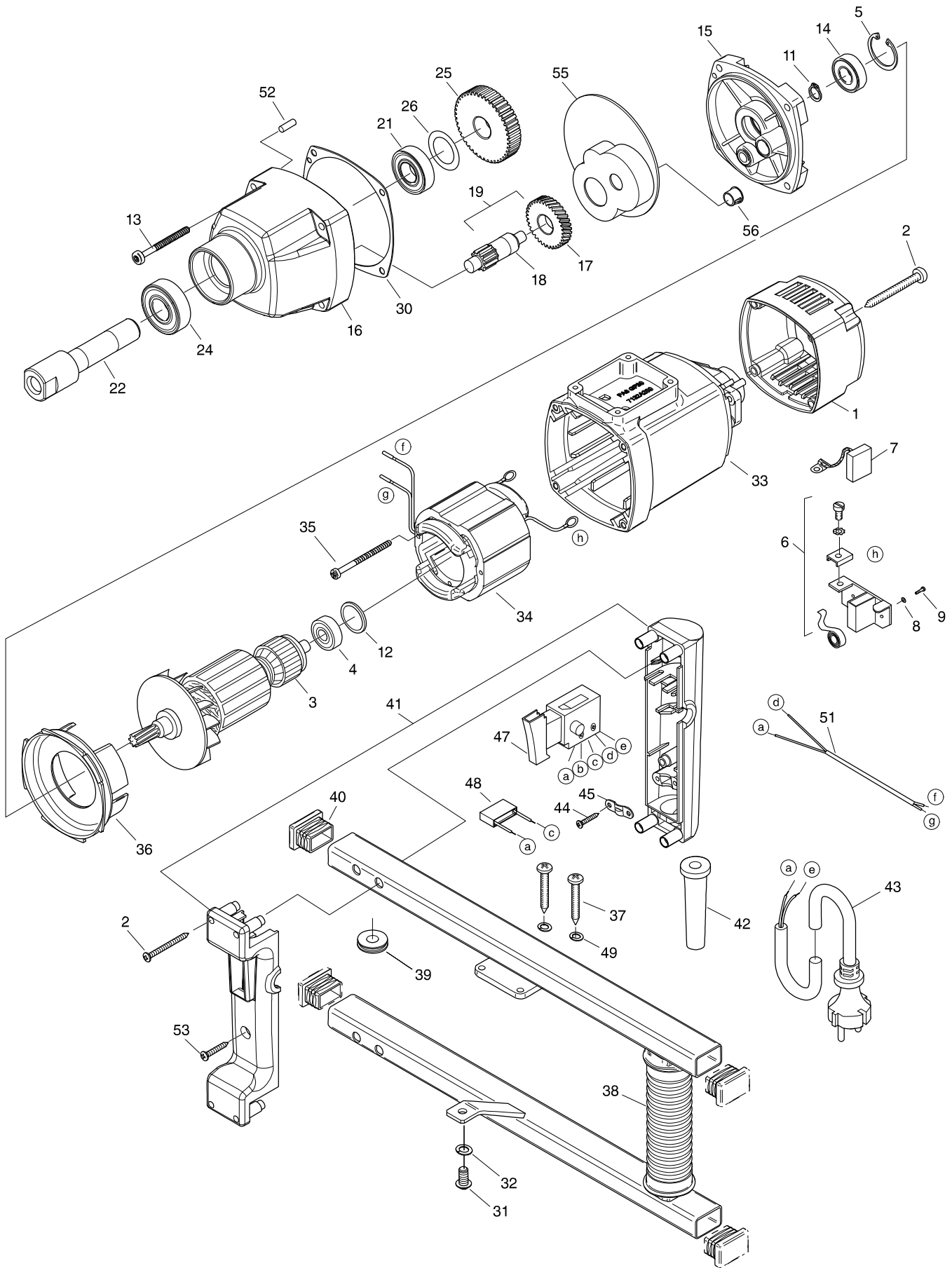


Numéro du modèle UT1400 POWER MIXER



| Position | Référence pièce | Description | Echelle | QTE | N/O | Option 1 | Option 2 | COMMENTAIRE |
|----------|-----------------|----------------------------|---------|-----|-----|----------|----------|-------------|
| 001 | EE80900093 | CAP | | 1 | | | | |
| 002 | EE80201267 | SELF TAPPING SCREW | | 8 | | | | |
| 003 | EE7731C100 | ROTOR COMPLETE | | 1 | | | | |
| 004 | EE80410011 | GROOVED BALL BEARING | | 1 | | | | |
| 005 | EE80201333 | LOCKING RING | | 1 | | | | |
| 006 | EE80201196 | BRUSH HOLDER | | 2 | | | | |
| 007 | EE80700013 | PAIR OF BRUSHES | | 2 | | | | |
| 008 | EE80201385 | LOCK WASHER | | 4 | | | | |
| 009 | EE80201180 | SELF TAPPING SCREW | | 4 | | | | |
| 011 | EE80201305 | LOCKING RING | | 1 | | | | |
| 012 | EE83000036 | O RING | | 1 | | | | |
| 013 | EE80201449 | PT-SCREW | | 4 | | | | |
| 014 | EE80410031 | GROOVED BALL BEARING | | 1 | | | | |
| 015 | EE77318610 | END SHIELD OF GEARING | | 1 | | | | |
| 016 | EE77M21400 | GEARBOX HOUSING / CASING | | 1 | | | | |
| 017 | EE74010470 | INTERMEDIATE WHEEL | | 1 | | | | |
| 018 | EE7731C490 | PINION SHAFT | | 1 | | | | |
| 019 | EE7731C49U | PINION SHAFT COMPLETE0 | | 1 | | | | |
| 021 | EE80410043 | GROOVED BALL BEARING | | 1 | | | | |
| 022 | EE7731C420 | WORK SPINDLE | | 1 | | | | |
| 024 | EE80410130 | GROOVED BALL BEARING | | 1 | | | | |
| 025 | EE7731C430 | SPINDLE WHEEL | | 1 | | | | |
| 026 | EE80200507 | FITTING WASHER | | 1 | | | | |
| 030 | EE82000507 | GEARBOX SEAL | | 1 | | | | |
| 031 | EE80201209 | LENS HEAD SCREW | | 1 | | | | |
| 032 | EE80201303 | LOCK WASHER | | 1 | | | | |
| 033 | EE80900403 | MOTOR HOUSING | | 1 | | | | |
| 034 | EE7731C150 | STATOR COMPLETE | | 1 | | | | |
| 035 | EE80201266 | SELF TAPPING SCREW | | 2 | | | | |
| 036 | EE80900286 | AIR GUIDING RING | | 1 | | | | |
| 037 | EE80201277 | PLASTIC SCREW | | 4 | | | | |
| 038 | EE77M21590 | BOW HANDLE | | 1 | | | | |
| 039 | EE83000051 | CABLE GROMMET | | 2 | | | | |
| 040 | EE80900000 | COVER CAP | | 4 | | | | |
| 041 | EE80900098 | PAIR OF HANDLE HALVES | | 1 | | | | |
| 042 | EE83000004 | CABLE GROMMET | | 1 | | | | |
| 043 | EE80600060 | CONNECTING CABLE | | 1 | | | | |
| 044 | EE80201270 | SELF TAPPING SCREW | | 2 | | | | |
| 045 | EE85000020 | WIRE LOCKING FLANGE | | 1 | | | | |
| 047 | EE80600510 | SWITCH | | 1 | | | | |
| 048 | EE80500010 | ANTI PARASITE CONDENSER | | 1 | | | | |
| 049 | EE80201302 | LOCK WASHER | | 4 | | | | |
| 051 | EE80600072 | INTERCONNECTING WIRE | | 1 | | | | |
| 052 | EE80200582 | NOTCHED PIN PLUG | | 1 | | | | |
| 053 | EE80201280 | SELF TAPPING SCREW | | 1 | | | | |
| 055 | EE80900119 | GREASE COMPARTMENT BARRIER | | 1 | | | | |
| 056 | EE80900201 | PLUG | | 1 | | | | |
| | | | | | | | | |