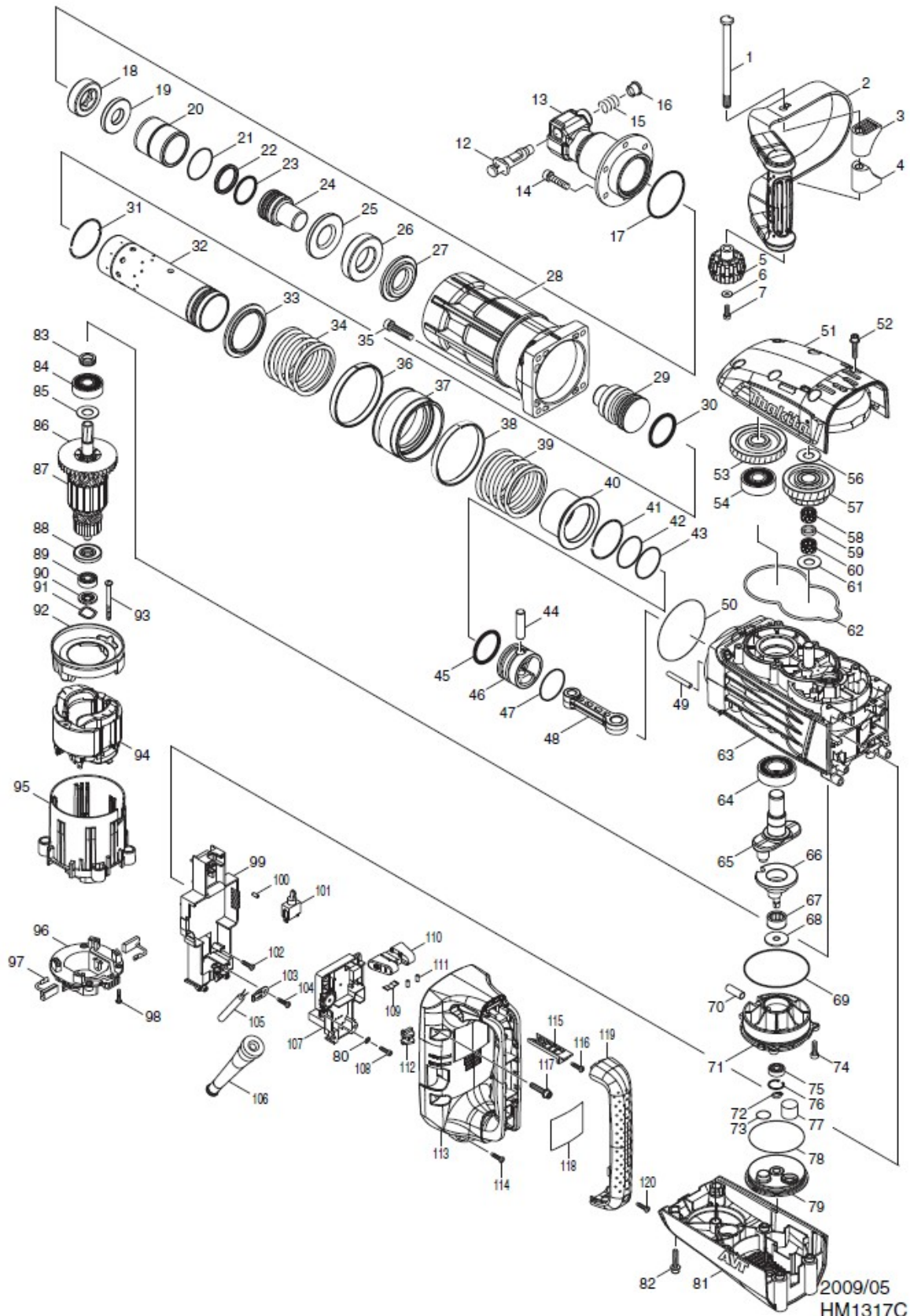


Marteau Piqueur HM1317C



Marteau Piqueur HM1317C



Item	Parts_No.	Parts_Description	Qty	Unit
1	266512-5	SET BOLT M10X142	1	PC.
2	163506-0	SIDE HANDLE	1	PC.
3	451331-4	HANDLE BASE	1	PC.
4	451331-4	HANDLE BASE	1	PC.
5	252654-1	THUMB NUT M10	1	PC.
6	253194-2	FLAT WASHER 5	1	PC.
7	922221-3	HEX. SOCKET HEAD BOLT M5X16	1	PC.
12	324099-4	TOOL RETAINER	1	PC.
13	331866-0	TOOL HOLDER	1	PC.
14	266011-7	HEX. SOCKET HEAD BOLT M8X35	6	PC.
15	233309-7	COMPRESSION SPRING 17	1	PC.
16	324135-6	RETAINER SLEEVE	1	PC.
17	213720-9	O RING 67	1	PC.
18	262150-1	URETHAN RING	1	PC.
19	267401-7	FLAT WASHER 24	1	PC.
20	257782-7	SLEEVE 43	1	PC.
21	213569-7	O RING 45	1	PC.
22	213192-8	X-RING 36	1	PC.
23	213150-4	O-RING 36	1	PC.
24	325682-0	IMPACT BOLT	1	PC.
25	325683-8	WASHER 30	1	PC.
26	424206-0	RUBBER RING 36	1	PC.
27	325684-6	SHOULDER RING 32	1	PC.
28	318458-2	BARREL	1	PC.
29	325685-4	STRIKER	1	PC.
30	213193-6	O-RING 42	1	PC.
31	233977-6	RING SPRING 55	1	PC.
32	331870-9	CYLINDER 52	1	PC.
33	451168-9	SHOULDER SLEEVE	1	PC.
34	234111-1	COMPRESSION SPRING 66	1	PC.
35	265367-5	HEX. SOCKET HEAD BOLT M8X40	4	PC.
36	451169-7	WEIGHT GUIDE	1	PC.
37	331867-8	COUNTER WEIGHT	1	PC.
38	451169-7	WEIGHT GUIDE	1	PC.
39	234111-1	COMPRESSION SPRING 66	1	PC.
40	331868-6	SLIDE SLEEVE	1	PC.
41	233977-6	RING SPRING 55	1	PC.
42	213569-7	O RING 45	1	PC.
43	213569-7	O RING 45	1	PC.
44	256238-7	PIN 12	1	PC.
45	213193-6	O-RING 42	1	PC.
46	318459-0	PISTON	1	PC.
47	213569-7	O RING 45	1	PC.
48	451164-7	CONNECTING ROD	1	PC.
49	268241-6	PIN 6	1	PC.
50	213806-9	O RING 90	1	PC.
51	318462-1	GEAR COVER	1	PC.
52	266499-1	H.S HEAD BOLT M6X30 WITH GM	6	PC.
53	227709-1	HELICAL GEAR 47	1	PC.
54	211306-3	BALL BEARING 6204LLB	1	PC.
56	267166-1	FLAT WASHER 14	1	PC.
57	226156-3	GEAR COMPLETE 31-43	1	PC.
58	212159-3	NEEDLE CAGE 1412	1	PC.
59	262157-7	NYLON RING 14	1	PC.
60	212159-3	NEEDLE CAGE 1412	1	PC.
61	267166-1	FLAT WASHER 14	1	PC.
62	424207-8	SEAL RING	1	PC.
63	140056-2	CRANK HOUSING COMPLETE	1	PC.

Marteau Piqueur HM1317C



64	211373-8	BALL BEARING 6205LLU	1	PC.
65	331871-7	CRANK SHAFT	1	PC.
66	331869-4	COUNTER SHAFT	1	PC.
67	212264-6	NEEDLE ROLLER BEARING 1813	1	PC.
68	325686-2	SHOULDER WASHER 8	1	PC.
69	213809-3	O RING 87	1	PC.
70	268240-8	PIN 10	1	PC.
71	140057-0	BEARING BOX COMPLETE	1	PC.
72	961004-6	RETAINING RING S-8	1	PC.
73	213261-5	O RING 17	1	PC.
74	265844-7	HEX. SOCKET HEAD BOLT M6X20	3	PC.
75	211032-4	BALL BEARING 608ZZ	1	PC.
76	962112-6	RETAINING RING R-22	1	PC.
77	443127-7	FILTER	1	PC.
78	213758-4	O RING 74	1	PC.
79	451166-3	CRANK CAP COVER	1	PC.
80	941051-3	FLAT WASHER 4	2	PC.
81	451167-1	REAR COVER	1	PC.
82	266499-1	H.S HEAD BOLT M6X30 WITH GM	6	PC.
83	331855-5	SEALING SCREW	1	PC.
84	211249-9	BALL BEARING 6302LLU	1	PC.
85	267397-2	FLAT WASHER 15	1	PC.
86	240003-4	FAN 80	1	PC.
87	517788-0	ARMATURE ASSEMBLY 220-240V	1	PC.
87		INC. 84-868889	0	
88	681642-5	INSULATION WASHER	1	PC.
89	210059-1	BALL BEARING 6000DDW	1	PC.
90	451107-9	WASHER GUIDE	1	PC.
91	267809-5	WAVE WASHER 19	1	PC.
92	451111-8	BAFFLE PLATE	1	PC.
93	266044-2	TAPPING SCREW 5X60	2	PC.
94	636333-3	FIELD 220-240V	1	PC.
95	451117-6	MOTOR HOUSING	1	PC.
96	638447-4	BRUSH HOLDER UNIT	1	PC.
97	194412-8	CARBON BRUSH CB-171	1	SET
98	265995-6	TAPPING SCREW 4X18	4	PC.
99	158986-3	CONTROLLER COVER COMPLETE	1	PC.
100	263027-3	RUBBER PIN 4	1	PC.
101	651423-1	SWITCH	1	PC.
102	265995-6	TAPPING SCREW 4X18	2	PC.
103	687169-3	STRAIN RELIEF	1	PC.
104	265995-6	TAPPING SCREW 4X18	1	PC.
105	695123-3	POWER SUPPLY CORD 1.5-2-4.0	1	PC.
106	682560-0	CORD GUARD 10	1	PC.
107	631920-3	CONTROLLER	1	PC.
108	265490-6	HEX. SOCKET HEAD BOLT M4X16	2	PC.
109	232209-8	LEAF SPRING	1	PC.
110	451112-6	SLIDE LEVER	1	PC.
111	263027-3	RUBBER PIN 4	2	PC.
112	451105-3	LENS	1	PC.
113	451118-4	HANDLE	1	PC.
114	265995-6	TAPPING SCREW 4X18	1	PC.
115	451106-1	SWITCH LEVER	1	PC.
116	265995-6	TAPPING SCREW 4X18	1	PC.
117	266499-1	H.S HEAD BOLT M6X30 WITH GM	4	PC.
118	867300-9	HM1317C NAME PLATE	1	PC.
119	451119-2	HANDLE COVER	1	PC.
120	265995-6	TAPPING SCREW 4X18	2	PC.
A01	D-31924	BULL POINT 400 BULK	1	PC.
A02	824897-1	PLASTIC CARRYING CASE	1	PC.
A02	162271-8	LATCH	2	PC.
A03	809555-0	HM1317C PLASTIC CASE LABEL	2	PC.

