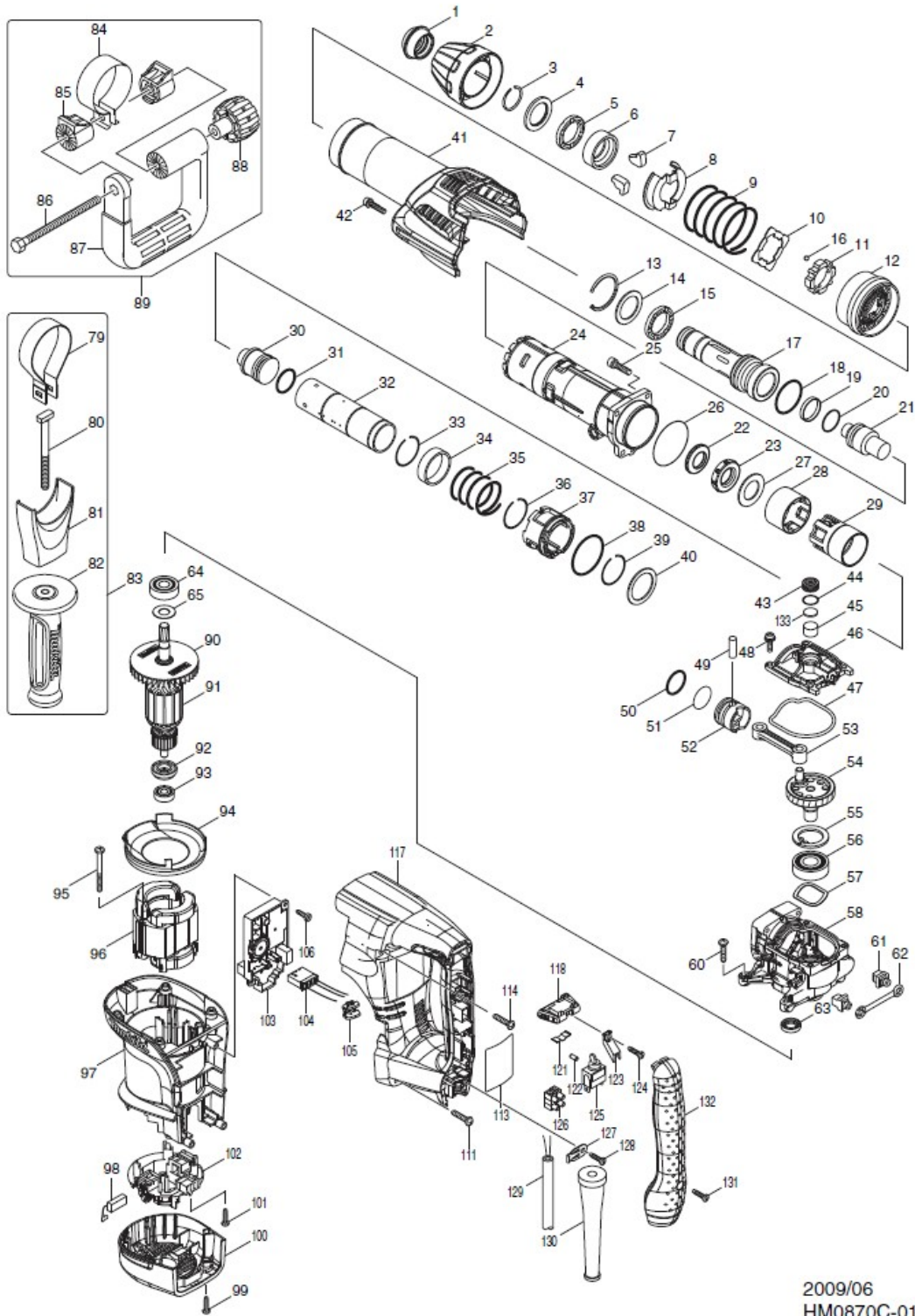


Burineur HM0870C



2009/06
HM0870C-01

Burineur HM0870C



Item	Parts_No.	Parts_Description	Qty	Unit
1	286287-0	TOOL HOLDER CAP	1	PC.
2	451432-8	CHUCK COVER	1	PC.
3	231984-3	RING SPRING 25	1	PC.
4	267272-2	FLAT WASHER 28	1	PC.
5	424261-2	RUBBER RING 28	1	PC.
6	331659-5	CHUCK RING	1	PC.
7	310108-5	TOOL RETAINER	2	PC.
8	345360-6	SPRING GUIDE	1	PC.
9	233387-7	COMPRESSION SPRING 52	1	PC.
10	346141-1	PLATE	1	PC.
11	310145-9	LOCK RING	1	PC.
12	451433-6	CHANGE RING	1	PC.
13	257960-9	RETAINING RING(INT) ROUND R-42	1	PC.
14	267273-0	FLAT WASHER 29	1	PC.
15	424261-2	RUBBER RING 28	1	PC.
16	216002-8	STEEL BALL 4.8	4	PC.
17	324387-9	TOOL HOLDER	1	PC.
18	213527-3	O RING 38	1	PC.
19	213431-6	FLUORIDE RING 28	1	PC.
20	213394-6	O RING 23	1	PC.
21	324389-5	IMPACT BOLT	1	PC.
22	325732-1	RING 20	1	PC.
23	424245-0	RUBBER RING 20	1	PC.
24	318512-2	BARREL	1	PC.
25	922341-3	HEX. SOCKET HEAD BOLT M6X25	4	PC.
26	213656-2	O RING 53	1	PC.
27	267407-5	FLAT WASHER 23	1	PC.
28	451639-6	GUIDE RING	1	PC.
29	450098-1	SLIDE SLEEVE	1	PC.
30	324388-7	STRIKER	1	PC.
31	213958-6	O RING 24	1	PC.
32	331658-7	CYLINDER 32	1	PC.
33	233927-1	RING SPRING 34	1	PC.
34	331660-0	RING 36	1	PC.
35	233386-9	COMPRESSION SPRING 37	1	PC.
36	233927-1	RING SPRING 34	1	PC.
37	317719-7	CYLINDER GUIDE	1	PC.
38	213611-4	O RING 46	1	PC.
39	233927-1	RING SPRING 34	1	PC.
40	267079-6	FLAT WASHER 34	1	PC.
41	451444-1	HOUSING COVER	1	PC.
42	922243-3	HEX. SOCKET HEAD BOLT M5X25	1	PC.
43	419988-7	FILTER CAP	1	PC.
44	213218-6	O RING 16	1	PC.
45	443129-3	FILTER	1	PC.
46	451434-4	CRANK CAP	1	PC.
47	424244-2	SEAL RING	1	PC.
48	911233-1	PAN HEAD SCREW M5X20	4	PC.
49	268104-6	PIN 8	1	PC.
50	213958-6	O RING 24	1	PC.
51	213432-4	O RING 26	1	PC.
52	418349-8	PISTON	1	PC.
53	418350-3	CONNECTING ROD	1	PC.
54	325735-5	CRANK SHAFT 17	1	PC.
55	962157-4	RETAINING RING R-40	1	PC.
56	211281-3	BALL BEARING 6203LLU	1	PC.
57	267825-7	WAVE WASHER 30	1	PC.
58	140206-9	CRANK HOUSING COMPLETE	1	PC.

Burineur HM0870C



60	266041-8	TAPPING SCREW 5X25	4	PC.
61	419008-7	FIX GUIDE	2	PC.
62	423345-3	CUSHION PLATE	1	PC.
63	213133-4	OIL SEAL 12	1	PC.
64	211106-1	BALL BEARING 6201LLB	1	PC.
65	253759-0	FLAT WASHER 12	1	PC.
84	152620-7	SIDE HANDLE BASE 60 COMPLETE	1	PC.
85	417002-3	SIDE HANDLE CAM	2	PC.
86	265439-6	HEX. BOLT M8X150	1	PC.
87	417003-1	SIDE HANDLE	1	PC.
88	252640-2	WING NUT M8	1	PC.
89	134909-5	SIDE HANDLE ASS'Y	1	PC.
89		INC. 84-88	0	
90	240119-5	FAN 76	1	PC.
91	513793-5	ARMATURE ASSEMBLY 220-240V	1	PC.
91		INC. 909293	0	
92	681650-6	INSULATION WASHER	1	PC.
93	210005-4	BALL BEARING 608DDW	1	PC.
94	451438-6	BAFFLE PLATE	1	PC.
95	266095-5	TAPPING SCREW 5X55	2	PC.
96	625764-1	FIELD 240V	1	PC.
97	451423-9	MOTOR HOUSING	1	PC.
98	194160-9	CARBON BRUSH CB-350	1	PC.
99	265995-6	TAPPING SCREW 4X18	2	PC.
100	451442-5	REAR COVER	1	PC.
101	265995-6	TAPPING SCREW 4X18	4	PC.
102	638674-3	BRUSH HOLDER UNIT	1	PC.
103	631930-0	CONTROLLER	1	PC.
104	638675-1	LEAD UNIT	1	PC.
105	451428-9	LENS	1	PC.
106	266192-7	TAPPING SCREW 4X14	2	PC.
111	266041-8	TAPPING SCREW 5X25	2	PC.
113	867390-2	HM0870C NAME PLATE	1	PC.
114	266041-8	TAPPING SCREW 5X25	2	PC.
117	140207-7	HANDLE COMPLETE	1	PC.
118	451440-9	SLIDE LEVER	1	PC.
121	232209-8	LEAF SPRING	1	PC.
122	263027-3	RUBBER PIN 4	1	PC.
123	451427-1	SWITCH LEVER	1	PC.
124	265995-6	TAPPING SCREW 4X18	1	PC.
125	651418-4	SWITCH ST115A-40	1	PC.
126	654531-7	TERMINAL BLOCK 2P	1	PC.
127	687169-3	STRAIN RELIEF	1	PC.
128	265995-6	TAPPING SCREW 4X18	1	PC.
129	695123-3	POWER SUPPLY CORD 1.5-2-4.0	1	PC.
130	682560-0	CORD GUARD 10	1	PC.
131	265995-6	TAPPING SCREW 4X18	1	PC.
132	451445-9	HANDLE COVER	1	PC.
133	423411-6	RUBBER PLATE	1	PC.
A01	194683-7	GREASE VESSEL SET	1	PC.
A02	443122-7	CLOTH	1	PC.
A03	824905-8	PLASTIC CARRYING CASE	1	PC.
A03	162271-8	LATCH	2	PC.
A03	450990-1	HANDLE	1	PC.
A03	325809-2	SHAFT	1	PC.
A04	809667-9	HM0870C PLASTIC CASE LABEL	2	PC.