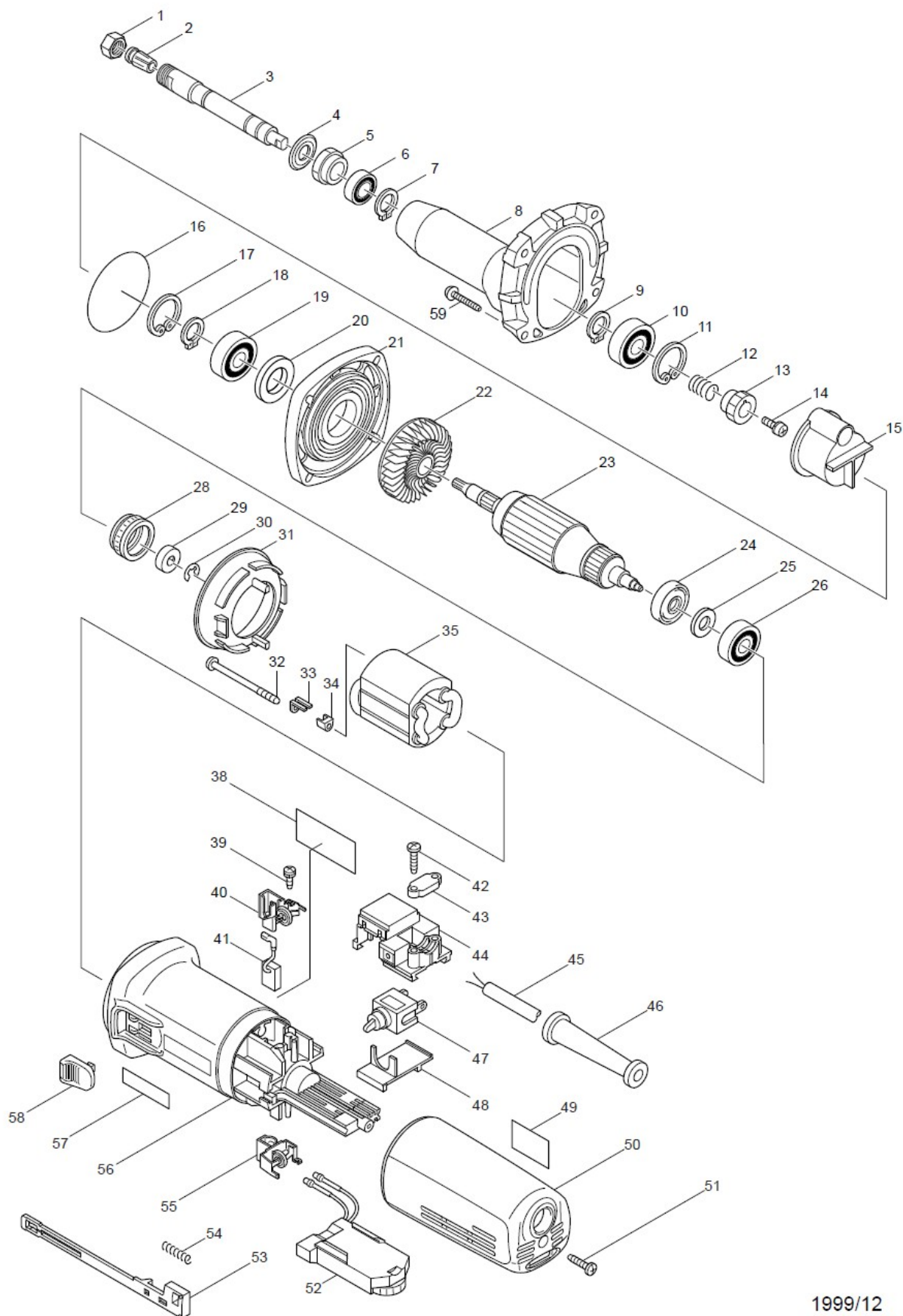


# Meuleuse droite GD0810C



1999/12  
GD0810C

# Meuleuse droite **GD0810C**



Item	Parts_No.	Parts_Description	Qty	Unit
1	763645-2	COLLET NUT	1	PC.
2	193012-1	COLLET CONE 6	1	PC.
2	763646-0	COLLET CONE 6	1	PC.
2		INC. 1	0	
3	324042-3	SPINDLE	1	PC.
4	213209-7	OIL SEAL 16	1	PC.
5	285700-5	BEARING RETAINER	1	PC.
6	211141-9	BALL BEARING 6901LLB	1	PC.
7	961052-5	RETAINING RING S-12	1	PC.
8	317369-8	BARREL	1	PC.
9	961052-5	RETAINING RING S-12	1	PC.
10	211142-7	BALL BEARING 6001LLB	1	PC.
010-1	211148-5	BALL BEARING 6001ZZ	1	PC.
11	962106-1	RETAINING RING R-28	1	PC.
12	233901-9	LOCK SPRING 12	1	PC.
13	226531-3	HELICAL GEAR 25	1	PC.
14	265082-1	PAN HEAD SCREW M4X8	1	PC.
15	417363-1	GEAR COVER	1	PC.
16	213611-4	O RING 46	1	PC.
17	962106-1	RETAINING RING R-28	1	PC.
18	961052-5	RETAINING RING S-12	1	PC.
19	211142-7	BALL BEARING 6001LLB	1	PC.
019-1	211148-5	BALL BEARING 6001ZZ	1	PC.
20	253084-9	FLAT WASHER 12	1	PC.
21	317367-2	BEARING BOX	1	PC.
22	240036-9	FAN 57	1	PC.
23	515199-3	ARMATURE ASS'Y 230-240V	1	PC.
23		INC. 2224-26	0	
023-1	515214-3	ARMATURE ASS'Y 240V	1	PC.
023-1		INC. 2224-26	0	
24	681656-4	INSULATION WASHER	1	PC.
25	253823-7	FLAT WASHER 7	1	PC.
26	210023-2	BALL BEARING 627DDW	1	PC.
28	421770-2	LABYRINTH RUBBER RING 22	1	PC.
29	688117-5	MAGNET SLEEVE	1	PC.
30	961011-9	STOP RING E-4	1	PC.
030-1	259039-2	SELF LOCK 6	1	PC.
31	413076-2	BAFFLE PLATE	1	PC.
32	266259-1	TAPPING SCREW 4X60	2	PC.
33	344871-8	RETAINER	2	PC.
34	417237-6	INSULATION COVER	2	PC.
35	626529-4	FIELD 230-240V	1	PC.
38	852418-9	NAME PLATE GD0810C	1	PC.
39	266256-7	TAPPING SCREW PT3X10	4	PC.
40	643762-3	BRUSH HOLDER	1	PC.
040-1	643760-7	BRUSH HOLDER	1	PC.
41	191974-7	A.C. CARBON BRUSH CB-310	1	SET
041-1	191978-9	A.C. CARBON BRUSH CB-318	1	SET
42	265995-6	TAPPING SCREW 4X18	2	PC.
43	687063-9	CORD CLAMP	1	PC.
043-1	687052-4	STRAIN RELIEF	1	PC.
044A	632945-0	SWITCH BLOCK	1	PC.

# Meuleuse droite **GD0810C**



Item	Parts_No.	Parts_Description	Qty	Unit
045G	666066-6	POWER SUPPLY CORD 1.0-2-2.5	1	PC.
045G1	665394-6	POWER SUPPLY CORD 1.0-2-2.5	1	PC.
046A	682559-5	CORD GUARD 8	1	PC.
47	651418-4	SWITCH ST115A-40	1	PC.
48	687113-0	COVER	1	PC.
49	816803-0	INDICATION LABEL	1	PC.
50	417185-9	REAR COVER	1	PC.
51	265995-6	TAPPING SCREW 4X18	1	PC.
052A	631391-4	CONTROLLER	1	PC.
53	417187-5	SWITCH LEVER	1	PC.
54	233071-4	COMPRESSION SPRING 4	1	PC.
55	643761-5	BRUSH HOLDER	1	PC.
055-1	643974-8	BRUSH HOLDER	1	PC.
56	417184-1	MOTOR HOUSING	1	PC.
056-1	183406-8	MOTOR HOUSING	1	PC.
056-1		INC. 57	0	
056-2	417812-8	MOTOR HOUSING	1	PC.
57	819720-3	MAKITA LABEL	1	PC.
58	417188-3	SWITCH KNOB	1	PC.
058-1	417813-6	SWITCH KNOB	1	PC.
59	265999-8	TAPPING SCREW 4X25	4	PC.
A01	781203-2	WRENCH 13	1	PC.
A02	781206-6	WRENCH 19	1	PC.