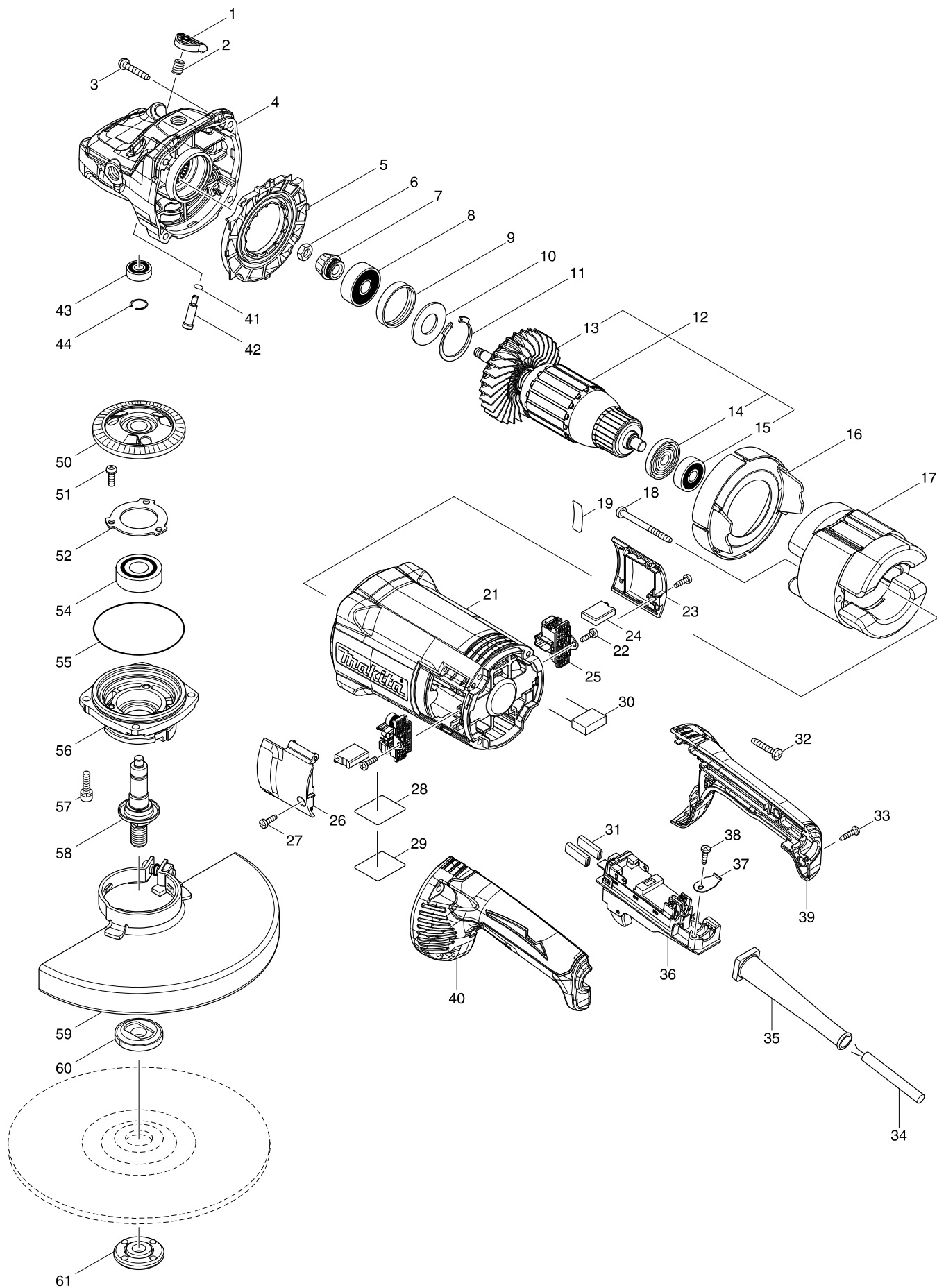


Numéro du modèle GA9060 230MM ANGLE GRINDER



Numéro du modèle GA9060 230MM ANGLE GRINDER

Position	Référence pièce	Description	Echelle	QTE	N/O	Option 1	Option 2	COMMENTAIRE
001	456247-8	PIN CAP		1				
002	234391-9	COMPRESSION SPRING 8		1				
003	251489-7	TAPPING SCREW 5X30		4				
004	143485-8	GEAR HOUSING COMPLETE		1				
C10	263002-9	RUBBER PIN 4		1	P1			
005	456238-9	DIFFUSER		1				
006	252194-9	HEX. NUT M8		1	P1			
007	227652-4	SPIRAL BEVEL GEAR 13		1				
008	211132-0	BALL BEARING 6301DDW		1	P19			
009	262085-6	RUBBER RING 38		1	P1			
010	267299-2	FLAT WASHER 20		1	P1			
011	962211-4	RETAINING RING R-42		1	P10			
012	513448-2	ARMATURE ASS'Y 220V		1				
D10		INC. 13-15						
013	240161-6	FAN 86		1				
014	681630-2	INSULATION WASHER		1	P5			
015	211087-9	BALL BEARING 6200DDW		1	P20			
016	456239-7	BAFFLE PLATE		1				
017	621779-6	FIELD 240V		1				
018	266044-2	TAPPING SCREW 5X60		2	P5			
019	851U89-5	GA9060 SERIAL NO. LABEL		1				
021	456240-2	MOTOR HOUSING		1				
022	266192-7	TAPPING SCREW 4X14		2	P1			
023	143950-7	BRUSH HOLDER COVER R COMPLETE		1				
024	197129-2	CARBON BRUSH CB-218		1				
025	643714-4	BRUSH HOLDER		2				
026	143949-2	BRUSH HOLDER COVER L COMPLETE		1				
027	266192-7	TAPPING SCREW 4X14		2	P1			
028	851U85-3	GA9060 NAME PLATE		1				
029	809R72-8	CLEAR LABEL		1				
030	645088-9	NOISE SUPPRESSOR		1	P1			
031	686036-9	RECEPTACLE SLEEVE		2	P1			
032	251489-7	TAPPING SCREW 5X30		4				
033	265995-6	TAPPING SCREW 4X18		2	P1			
034	695107-1	POWER SUPPLY CORD 1.5-2-2.5		1				
035	682573-1	CORD GUARD 10		1	P1			
036	632F75-3	SWITCH UNIT		1				
037	687169-3	STRAIN RELIEF		1	P1			
038	266192-7	TAPPING SCREW 4X14		1	P1			
039	183C63-0	HANDLE SET		1				
D10		INC. 40						
040	183C63-0	HANDLE SET		1				
D10		INC. 39						
041	213026-5	O RING 7		1	P1			
042	256571-7	SHOULDER PIN 7		1				
043	211032-4	BALL BEARING 608ZZ		1	P9			
044	233925-5	RING SPRING 13		1	P1			
050	227653-2	SPIRAL GEAR 54		1				

Numéro du modèle GA9060 230MM ANGLE GRINDER

Position	Référence pièce	Description	Echelle	QTE	N/O	Option 1	Option 2	COMMENTAIRE
051	265120-9	PAN HEAD SCREW M5X16		3		P1		
052	285741-1	BEARING RETAINER 50		1				
054	211278-2	BALL BEARING 6203DDW		1		P19		
055	213760-7	O RING 78		1		P4		
056	319351-3	BEARING BOX		1				
057	265541-5	HEX. SOCKET HEAD BOLT M6X22		4		P1		
058	143484-0	SPINDLE COMPLETE		1				
059	122891-0	WHEEL COVER 230K ASSEMBLY		1		P22		
C10	213017-6	O RING 6		1		P1		
C20	265198-2	+PAN HEAD SCREW M8X25		1		P1		
060	224415-9	INNER FLANGE 42		1		P4		
061	224485-8	LOCK NUT 14-45		1				
A01	143486-6	GRIP 37 COMPLETE		1				
A02	782407-9	LOCK NUT WRENCH 35		1		A13		