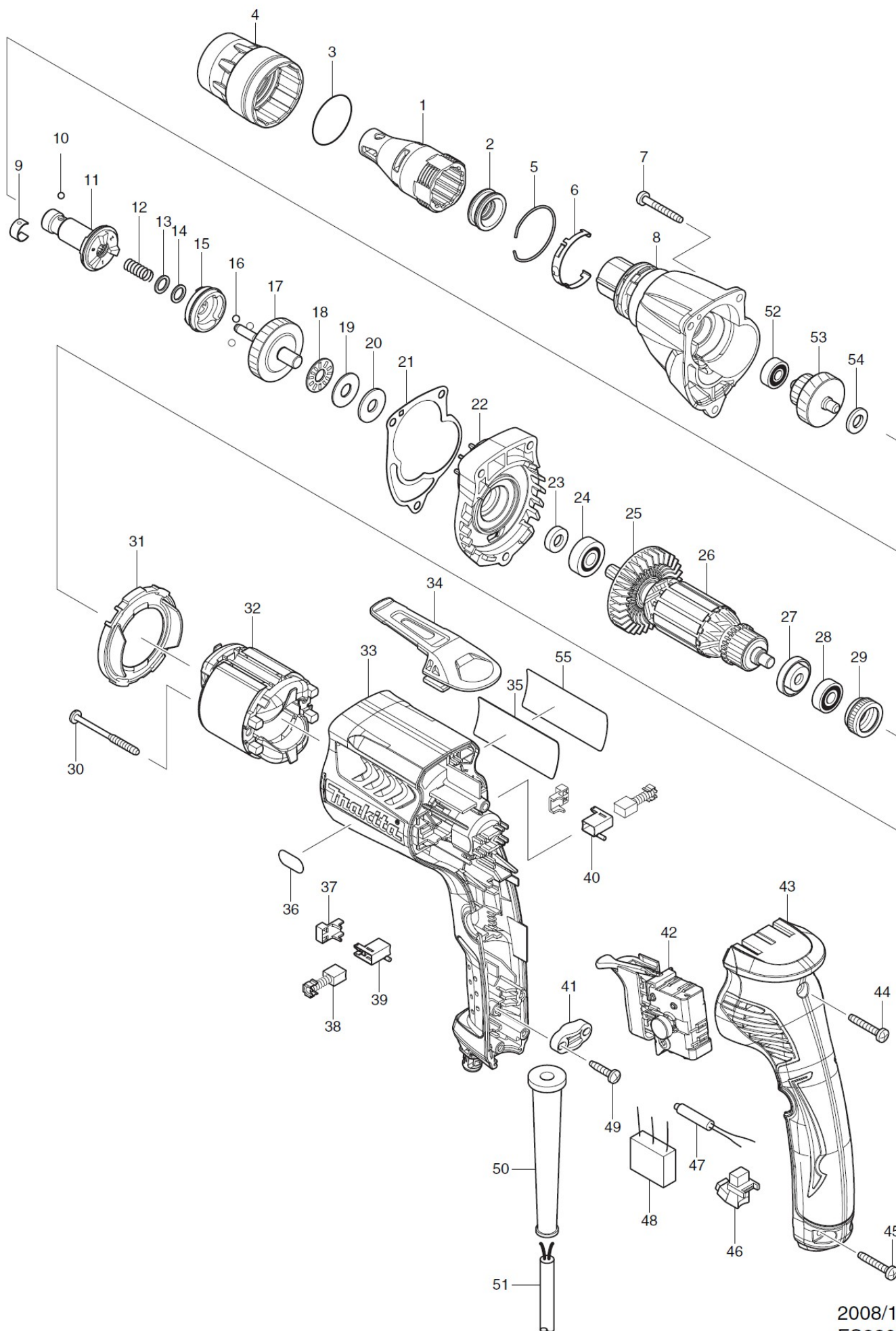


# Visseuse plaque de plâtre FS2300K





# Visseuse plaque de plâtre FS2300K

Item	Parts_No	Parts_Description	Qty
1	158875-2	LOCATOR S COMPLETE	1
2	424163-2	DUST SEAL SLEEVE	1
3	424235-3	SEAL RING 30	1
4	450881-6	LOCK RING	1
5	233974-2	RING SPRING 33	1
6	232245-4	LEAF SPRING	1
7	266361-0	TAPPING SCREW 4X30	3
8	158895-6	GEAR HOUSING LS COMPLETE	1
9	232050-9	LEAF SPRING	1
10	216001-0	STEEL BALL 3.5	1
11	158886-7	SPINDLE 125S COMPLETE	1
12	234121-8	COMPRESSEION SPRING 8	1
13	267202-3	FLAT WASHER 8	1
14	267202-3	FLAT WASHER 8	1
15	223170-0	CLUTCH CAM 125S	1
16	216008-6	STEEL BALL 4	3
17	158891-4	SPUR GEAR 35S COMPLETE	1
18	216415-3	THRUST NEEDLE GAUGE 821	1
19	216212-7	WASHER 821	1
20	261111-8	URETHANE WASHER 8	1
21	442149-4	GASKET	1
22	158982-1	GEAR HOUSING COVER COMPLETE	1
23	451099-2	RING 7	1
24	210007-0	BALL BEARING 608VV	1
25	240083-0	FAN 52	1
26	515764-8	ARMATURE ASSEMBLY 240V	1
26		INC. 23-252728	0
026A	515764-8	ARMATURE ASSEMBLY 240V	1
026A		INC. 23-252728	0
27	681636-0	INSULATION WASHER	1
28	210062-2	BALL BEARING 607ZZ	1
29	421868-5	LABYRINTH RUBBER RING 19	1
30	266467-4	TAPPING SCREW 4X50	2

Item	Parts_No.	Parts_Description	Qty
31	450880-8	BAFFLE PLATE	1
32	633693-4	FIELD 220-240V	1
33	450878-5	MOTOR HOUSING L	1
34	162272-6	HOOK	1
35	867019-0	FS2300 NAME PLATE	1
36	808574-3	INDICATION LABEL	1
37	689111-0	SPACER	2
38	191962-4	CARBON BRUSH CB-419	1
39	643952-8	BRUSH HOLDER	1
40	643953-6	BRUSH HOLDER	1
41	687124-5	STRAIN RELIEF	1
42	650614-1	SWITCH	1
43	158878-6	HANDLE COVER L COMPLETE	1
43	263002-9	RUBBER PIN 4	2
44	266374-1	TAPPING SCREW 4X25	1
45	266374-1	TAPPING SCREW 4X25	2
46	631939-2	LIGHT CIRCUIT	1
47	646122-8	CHOKE COIL	1
48	645253-0	NOISE SUPPRESSOR	1
49	265995-6	TAPPING SCREW 4X18	2
50	682559-5	CORD GUARD 8	1
51	695034-2	POWER SUPPLY CORD 1.0-2-4.0	1
52	211012-0	BALL BEARING 606ZZ	1
53	226157-1	GEAR COMPLETE 17-39	1
54	267017-8	FLAT WASHER 8	1
55	819349-5	CLEAR LABEL	1
A01	784261-7	+BIT 2-25	2
A02	784811-8	MAGNETIC CONNECT BIT 6.35-60	1
A02A	784811-8	MAGNETIC CONNECT BIT 6.35-60	1
A03	824890-5	PLASTIC CARRYING CASE	1
A03	163455-1	LATCH	2
A03	419360-3	HANDLE	1