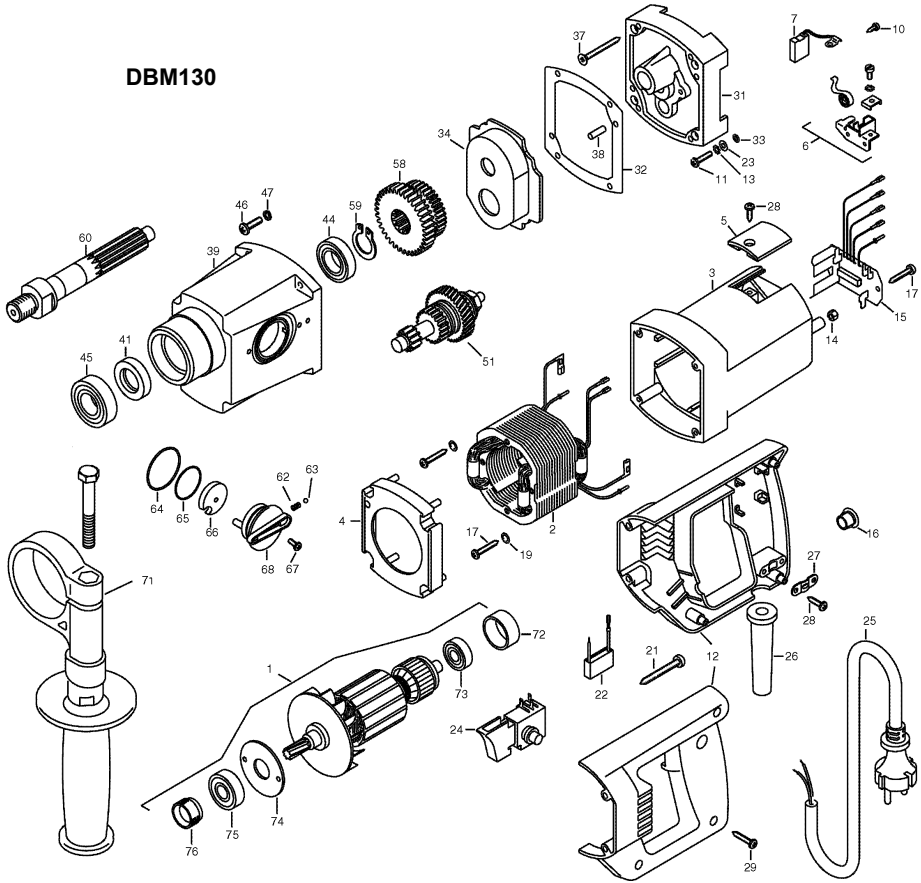


DBM130



Pos.	Item No.	Description	FRENCH DESCRIPTION	Q.COD	LIST PRICE
1	EE7332L100	ARMATURE ASS'Y	INDUIT DBM130	P 44	120,13
2	EE73320150	FIELD ASS'Y	INDUCTEUR DBM131/DBM130	P 35	49,85
3	EE80900159	MOTOR HOUSING	CARTER MATEUR DBM131/DBM130	P 29	27,75
4	EE73320140	BAFFLE PLATE	COUVERCLE DBM131/DBM130	P 7	2,62
5	EE73320215	BRUSH HOLDER COVER	COUVERCLE CHARBON DBM130/131	P 1	1,43
6	EE80201199	BRUSH HOLDER CPL.	PORTE CHARBON DBM130/131	P 12	4,53
7	EE80700019	BRUSH	CHARBON (1PIECE) DBM130/131	P 12	4,53
10	EE80201251	TAPPING SCREW 2.9x9,5	VIS 2.9X9,5 DBM130	P 1	1,43
11	EE80201131	OVAL HEAD SCREW M4x17	VIS M4X17 BM130/131	P 1	1,43
12	EE73320260/1	HANDLE COVER CPL.	CARTER POIGNEE DBM080/DBM130	P 22	12,96
13	EE80200752	SELF LOCK 4,3	RONDELLE 4,3 DBM130/131	P 1	1,43
14	EE80201295	PLASTIC NUT	ECROU DBM130/131	P 1	1,43
15	EE73313280	CONTROLLER	CONTROLEUR DBM130	P 37	60,06
16	EE83000053	PLUG	BOUCHON DBM080/DBM130	P 1	1,43
17	EE80201273	TAPPING SCREW 4.2x25	VIS 4.2X25 DBM130/131	P 1	1,43
19	EE80201362	STOP RING S6	CIRCLIPS 6 DBM130/131	P 1	1,43
21	EE80201267	PAN HEAD SCREW 4,8x45	VIS 4,8X45	P 1	1,43
22	EE73320305	CONDENSER	CONDENSATEUR DBM080/130/131	P 9	3,28
23	EE80201371	WASHER 4,3	RONDELLE 4,3 DBM130/131	P 1	1,43
24	EE80600116	SWITCH	INTERRUPTEUR DBM080/130/131	P 22	12,96
25	P-26185	POWER SUPPLY CORD	CABLE ALIMENTATION	P 18	8,69
26	EE71323255	CORD GUARD	MANCHON CABLE	P 4	1,45
27	EE71540330	STRAIN RELIEF	SERRE CABLE	P 1	1,43
28	EE80201270	PAN HEAD SCREW 4,2x13	VIS 4,2X13	P 1	1,43
29	EE80201272	BLECHSCHRAUBE 4,2x22	VIS 4,2X22 DBM080/130/131	P 1	1,43
31	EE7332S610	CRANK HOUSING COVER	CARTER DBM130/131	P 35	49,85
32	EE73320620	GASKET	JOINT DBM130/131	P 4	1,45
33	EE83000019	RING 3.68x1,78	BAGUE 3,68X1,78 DBM130/131	P 1	1,43
34	EE73320625	GREASE COVER	COUVERCLE DBM130/131	P 4	1,45
37	EE80201275	COUNTERSUNK HEAD SCREW 4,5x50	VIS 4,5X50 DBM130/131	P 1	1,43
38	EE80200580	PIN 5x16	AXE 5X16 DBM130/131	P 1	1,43
39	EE7332S400	GEAR HOUSING COMPLETE	CARTER D'ENGRENAGE DBM130/131	P 37	60,06
41	EE83000023	SEAL 20x35x7	JOINT 20X35X7 DBM130	P 23	14,94
44	211306-3	BALL BEARING	ROULEMENT A BILLES 6204	P 21	11,28
45	211301-3	BALL BEARING	ROULEMENT A BILLES 6004LLB	P 20	10,52
46	EE80201204	OVAL HEAD SCREW M5x20	VIS M5X20 DBM130/131	P 1	1,43
47	EE80201302	SPRING WASHER 5	RONDELLE ELASTIQUE DBM130/131	P 1	1,43
51	EE73320493	TORQUE LIM.CPL.	LIMITEUR DE COUPLE DBM130	P 41	89,34
58	EE73320440	GEAR	PIGNON DBM130	P 29	27,75
59	EE80201319	RETAINING RING 19	CIRCLIP 19 BM130/131	P 1	1,43
60	EE73320420	SPINDLE	AXE BM130	P 33	41,31
62	EE80200698	COMPRESSION SPRING	RESSORT DE COMPRESSION	P 2	7,75
63	EE80410080	STEEL BALL 3,5	BILLE ACIER 3,5 BM130/131	P 1	1,43
64	EE83000022	RING 36x1,5	JOINT 36X1,5 BM130/131	P 3	1,10
65	EE83000017	RING 28x1	JOINT 28X1 BM130/131	P 2	7,75
66	EE73320542	COVER PLATE	COUVERCLE BM130/131	P 10	3,70
67	EE80201149	SCREW M3x12	VIS M3X12 BM130/131	P 1	1,43
68	EE73320541	SWITCH	INTERRUPTEUR DBM130/131	P 12	4,53
71	EE7332L695	GRIP COMPLETE	POIGNEE COMPLETE DBM130	P 29	27,75
72	EE73320315	SUPPORTING WASHER	BAGUE DBM130/131	P 4	1,45
73	211201-7	BALL BEARING	ROULEMENT A BILLES 6002	P 20	10,52
74	EE73320310	BEARING RETAINER	PLAQUE DBM131	P 10	3,70
75	211106-1	BALL BEARING	ROULEMENT A BILLES 6201LLB	P 18	8,69
72	EE73320125	CUSHION RING	BAGUE	P 20	10,52