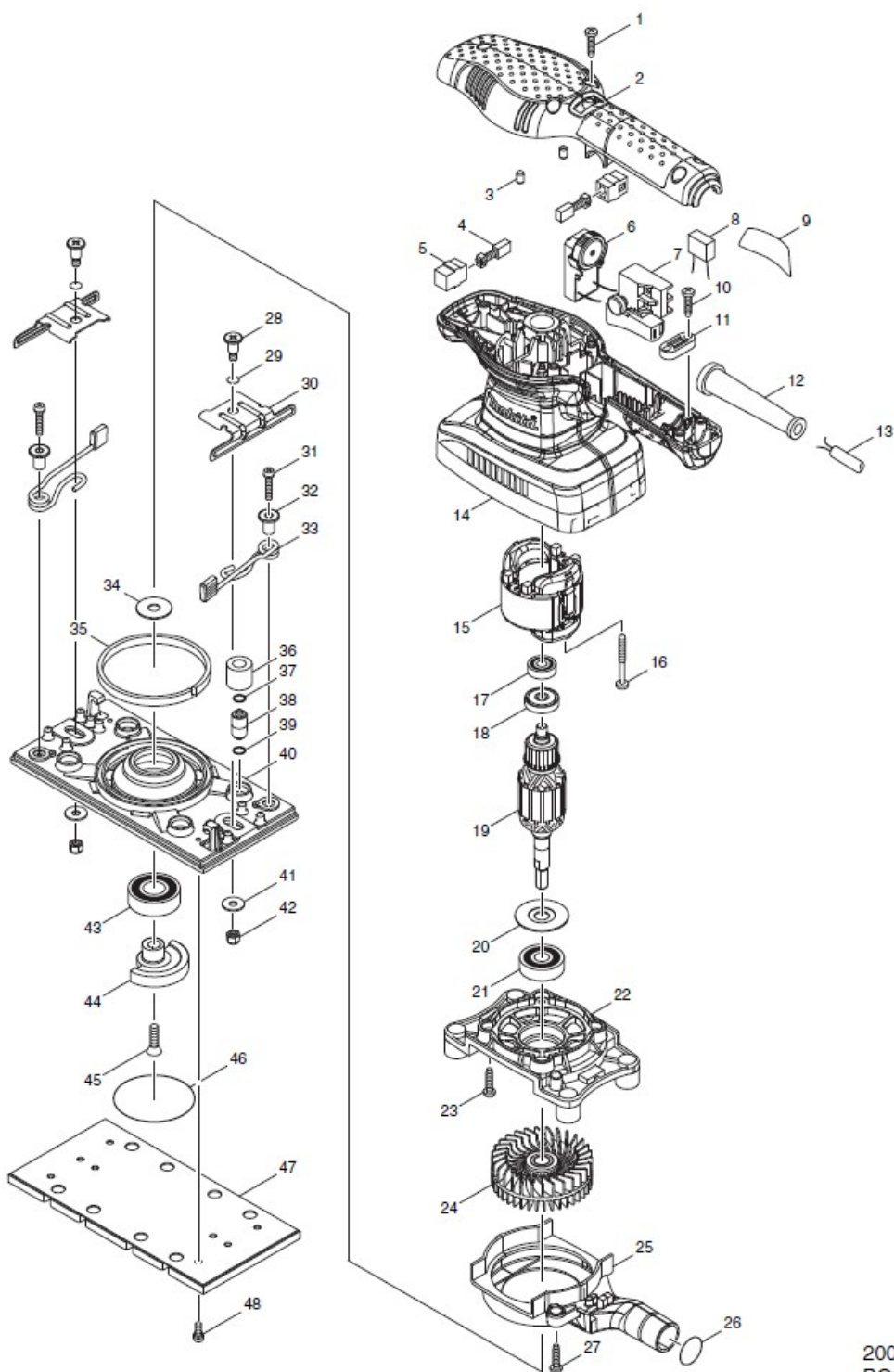


Ponceuse Vibrante BO3711



2009/03
BO3711

Ponceuse Vibrante **BO3711**



Item	Parts_No.	Parts_Description	Qty	Unit
1	265995-6	TAPPING SCREW 4X18	5	PC.
2	451269-3	TOP COVER	1	PC.
3	263002-9	RUBBER PIN 4	2	PC.
4	191627-8	CARBON BRUSH CB-64	1	SET
5	643552-4	BRUSH HOLDER 5-8	2	PC.
6	631906-7	CONTROLLER	1	PC.
7	651286-5	SWITCH SGEL206C-5	1	PC.
8	645239-4	NOISE SUPPRESSOR	1	PC.
9	867006-9	BO3711 NAME PLATE	1	PC.
10	265995-6	TAPPING SCREW 4X18	2	PC.
11	687124-5	STRAIN RELIEF	1	PC.
12	682569-2	CORD GUARD 8-85	1	PC.
13	665383-1	POWER SUPPLY CORD 1.0-2-2.0	1	PC.
14	451270-8	MOTOR HOUSING	1	PC.
15	593708-8	FIELD ASSEMBLY 220-240V	1	PC.
15	654037-5	INSULATED TERM. FK1.25-M3	2	PC.
16	266048-4	TAPPING SCREW 4X40	2	PC.
17	210062-2	BALL BEARING 607ZZ	1	PC.
18	681652-2	INSULATION WASHER	1	PC.
19	515784-2	ARMATURE ASSEMBLY 240V	1	PC.
19		INC. 17182021	0	
20	253180-3	FLAT WASHER 10	1	PC.
21	211087-9	BALL BEARING 6200DDW	1	PC.
22	451266-9	BEARING BOX	1	PC.
23	265995-6	TAPPING SCREW 4X18	4	PC.
24	240117-9	FAN 68	1	PC.
25	451267-7	FAN GUIDE	1	PC.
26	213315-8	O RING 19	1	PC.
27	265995-6	TAPPING SCREW 4X18	2	PC.
28	266511-7	+ FLAT FILLISTER HEAD SCREW M5	2	PC.
29	213045-1	O-RING 6	2	PC.
30	346102-1	PAPER CLAMP	2	PC.
31	911136-9	PAN HEAD SCREW M4X20	2	PC.
32	310300-3	SPRING GUIDE	2	PC.
33	162279-2	LEVER COMPLETE	2	PC.
34	267353-2	FLAT WASHER 8	1	PC.
35	423389-3	SPONGE 6X230X3	1	PC.
36	424056-3	SPONGE SLEEVE 9	4	PC.
37	213983-7	O RING 4	4	PC.
38	318151-8	FOOT	4	PC.
39	213983-7	O RING 4	4	PC.
40	318484-1	BASE	1	PC.
040-1	318484-1	BASE	1	PC.
41	253807-5	FLAT WASHER 5	2	PC.
42	252103-8	HEX. LOCK NUT M5-8	2	PC.
43	211228-7	BALL BEARING 6202DDW	1	PC.
44	310301-1	BALANCER	1	PC.
45	912222-9	COUNTERSUNK HEAD SCREW M5X16	1	PC.
46	213656-2	O RING 53	1	PC.
47	140146-1	PAD COMPLETE	1	PC.
48	911111-5	PAN HEAD SCREW M4X10	4	PC.
A01	135327-0	DUST BOX ASSEMBLY	1	PC.
A01	168557-8	FILTER	1	PC.
A01	232246-2	LEAF SPRING	2	PC.
A01	424144-6	RUBBER SLEEVE	1	PC.
A01	450769-0	DUST NOZZLE	1	PC.
A01	450770-5	DUST BOX	1	PC.
A02	451271-6	PUNCH PLATE	1	PC.
A03	794563-3	ABRASIVE PAPER 93X228 #120	1	SET