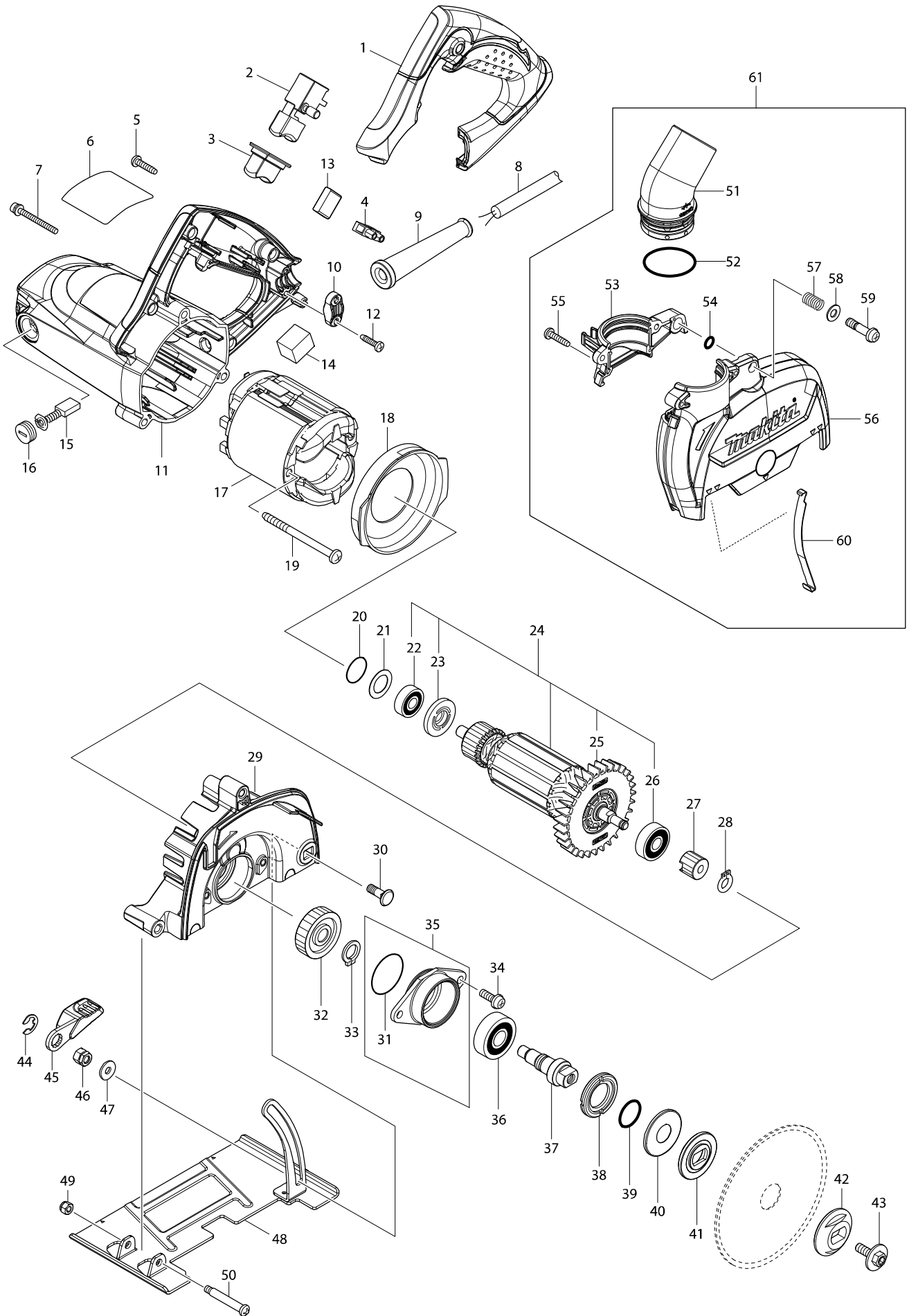


Numéro du modèle 4100KB 125MM DUSTLESS CUTTER



Numéro du modèle 4100KB 125MM DUSTLESS CUTTER

Position	Référence pièce	Description	Echelle	QTE	N/O	Option 1	Option 2	COMMENTAIRE
001	450838-7	HANDLE COVER		1				
002	650248-0	SWITCH SGES115C-3		1				
003	424585-6	DUST COVER		1				
004	654532-5	TERMINAL BLOCK 1P		1	2		P1	
005	265995-6	TAPPING SCREW 4X18		4	0		P1	
006	853U04-5	4100KB NAME PLATE		1				
007	911263-2	PAN HEAD SCREW M5X40		3	65		P2	
008	665865-3	POWER SUPPLY CORD 1.0-2-2.5		1			P23	
009	682540-6	CORD GUARD 9.3-90		1			P4	
010	687124-5	STRAIN RELIEF		1	0		P1	
011	141726-6	MOTOR HOUSING COMPLETE		1				
C10	643708-9	BRUSH HOLDER 5-11		2	2		P7	
012	265995-6	TAPPING SCREW 4X18		2	0		P1	
013	645200-1	NOISE SUPPRESSOR		1	2		P8	
014	424634-9	SPONGE		1				
015	191963-2	CARBON BRUSH CB-303		1	9		P12	
016	643750-0	BRUSH HOLDER CAP 7-11		2	0		P3	
017	599095-3	FIELD ASSY 220V		1				
C10	654020-2	RING TERMINAL		2	1		P1	
C20	654501-6	CONNECTOR P-1.25		2	0		P3	
018	450839-5	BUFFLE PLATE		1				
019	266038-7	TAPPING SCREW 5X70		2	1		P6	
020	213262-3	O RING 18		1	0		P1	
021	253192-6	FLAT WASHER 14		1	0		P3	
022	211395-8	BALL BEARING 608LLU		1				
023	681644-1	INSULATION WASHER		1	65		P2	
024	513769-2	ARMATURE ASS'Y 240V		1				
D10		INC. 22,23,25,26						
025	240109-8	FAN 70		1				
026	211092-6	BALL BEARING 629DDW		1	1		P20	
027	226695-3	HELICAL GEAR 17		1				
028	961002-0	RETAINING RING S-6		1	65		P1	
029	144781-7	GEAR HOUSING COMPLETE		1				
C10	213445-5	O-RING 26		1	0		P1	
030	251586-9	FLAT HEAD SQUARE NECK BOLT M6X		1				
031	213444-7	O RING 30		1				
032	226696-1	HELICAL GEAR 44		1				
033	961052-5	RETAINING RING S-12		1	65		P1	
034	911223-4	PAN HEAD SCREW M5X16		2	0		P1	
035	135948-8	BEARING BOX ASSEMBLY		1				
D10		INC. 31						
036	211129-9	BALL BEARING 6201DDW		1	45		P19	
037	325603-2	SPINDLE		1				
038	285858-0	BEARING RETAINER 19-33		1				
039	213279-6	O RING 18		1	0		P1	
040	253397-8	CUP WASHER 15		1				
041	224423-0	INNER FLANGE 36		1				
042	224424-8	OUTER FLANGE 36		1				

Numéro du modèle 4100KB 125MM DUSTLESS CUTTER

Position	Référence pièce	Description	Echelle	QTE	N/O	Option 1	Option 2	COMMENTAIRE
043	266510-9	HEX. SOCKET HEX. BOLT M6X18		1				
044	257982-9	BOW STOP RING E-8		1		0	P1	
045	271443-5	LEVER 49		1				
046	264103-6	HEX. NUT M6		1			P1	
047	253111-2	FLAT WASHER 6		1		65	P2	
048	161775-7	BASE		1				
049	252103-8	HEX. LOCK NUT M5-8		1		65	P2	
050	266515-9	+ PAN HEAD SCREW M5		1				
051	416741-2	ELBOW		1		2	P8	
052	213460-9	O RING 35		1		2	P1	
053	458035-9	DUST COVER R		1				
054	213005-3	O RING 5		1		0	P1	
055	265995-6	TAPPING SCREW 4X18		2		0	P1	
056	458605-4	DUST COVER L		1				
057	233267-7	COMPRESSION SPRING 7		1		65	P2	
058	941151-9	FLAT WASHER 6		1		0	P1	
059	265658-4	PAN HEAD SCREW M6X26		1				
060	347305-0	PLATE		1				
061	126911-2	DUST COVER ASSEMBLY		1				
A01	781041-2	WRENCH 22		1			A1	
A02	783203-8	HEX. WRENCH 5		1		2	A10	
A03	126738-0	DUST BAG ASSEMBLY		1				
A04	A-84115	DIAMOND WHEEL SEGMENTED 125MM		1			A24	