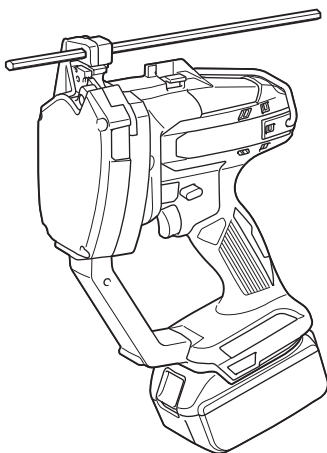
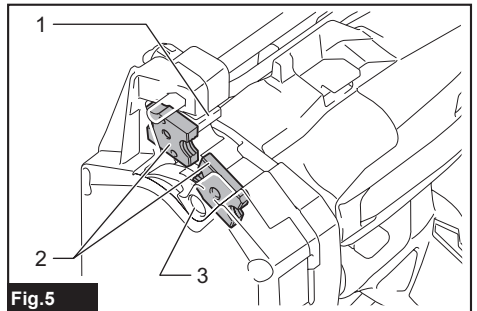
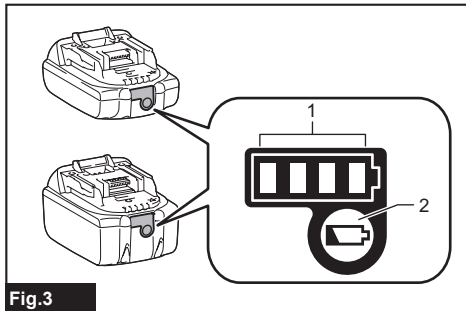
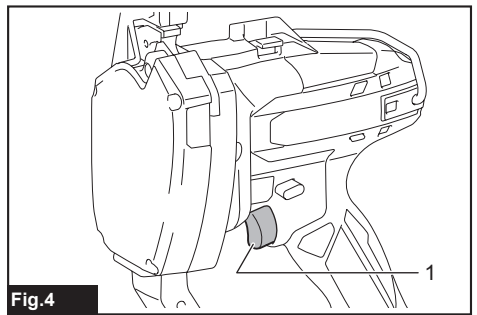
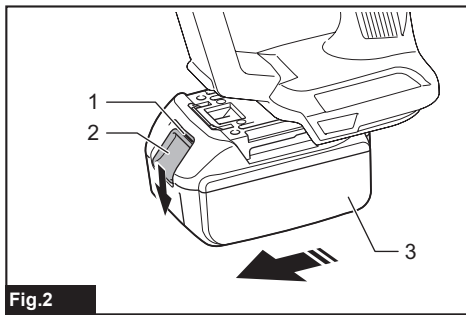
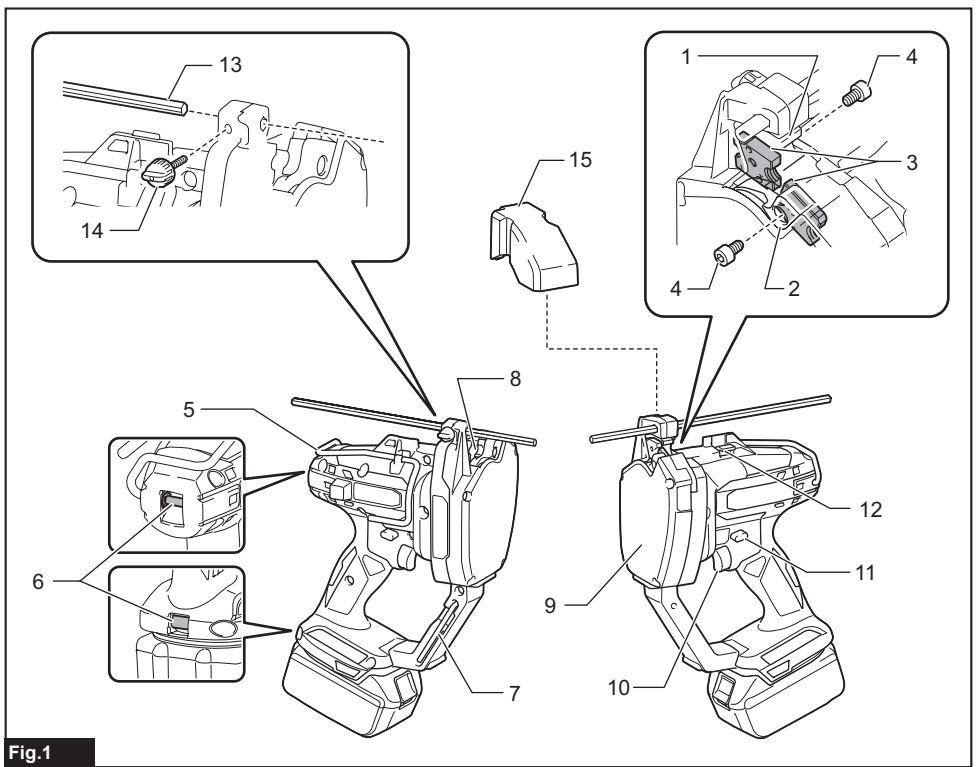


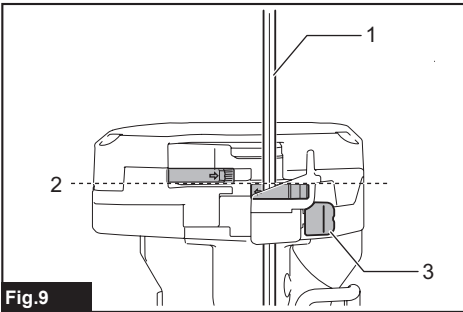
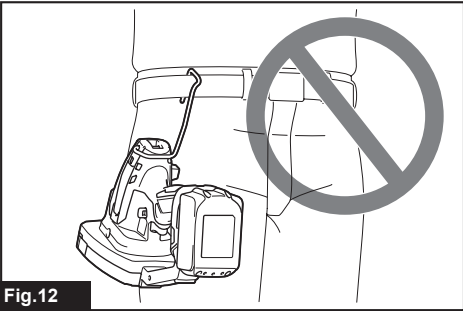
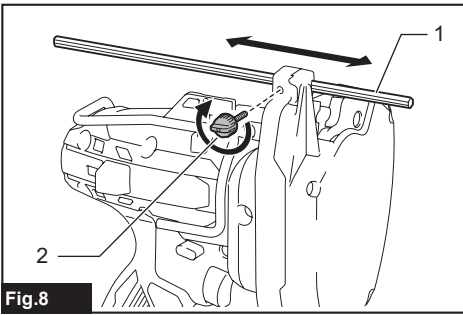
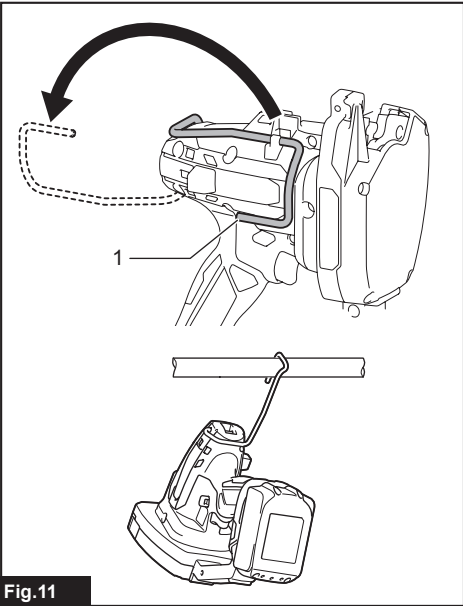
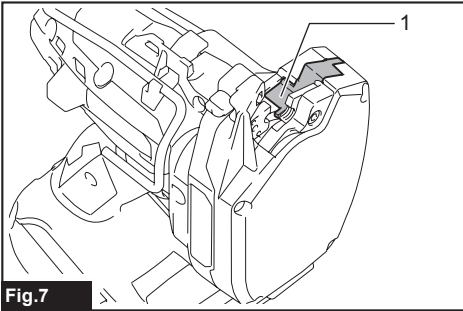
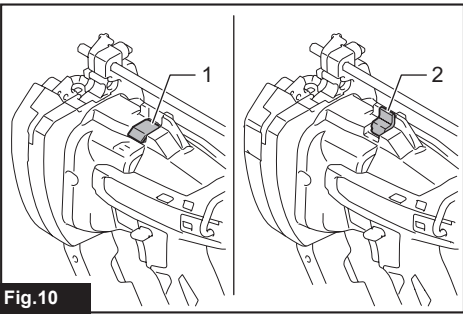
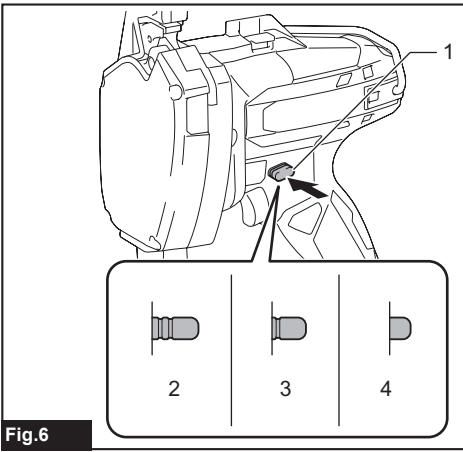


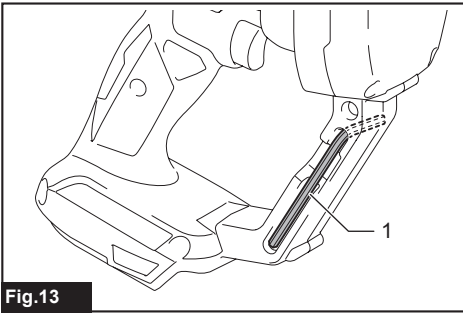
EN	Cordless Threaded Rod Cutter	INSTRUCTION MANUAL	7
FR	Coupe Tige Filetée Sans Fil	MANUEL D'INSTRUCTIONS	13
DE	Akku-Gewindestangenschneider	BETRIEBSANLEITUNG	20
IT	Tagliabarre filettate a batteria	ISTRUZIONI PER L'USO	28
NL	Accudraadstangsnijder	GEBRUIKSAANWIJZING	36
ES	Cortadora Inalámbrica de Varilla	MANUAL DE INSTRUCCIONES	43
PT	Cortadora de Barra Roscada a Bateria	MANUAL DE INSTRUÇÕES	51
DA	Akku gevindstangsklipper	BRUGSANVISNING	58
EL	Φορητός κόφτης σπειροτομημένων ράβδων	ΕΓΧΕΙΡΙΔΙΟ ΟΔΗΓΙΩΝ	65
TR	Akülü Dişli Mil Kesme Makinası	KULLANMA KILAVUZU	73

## DSC102

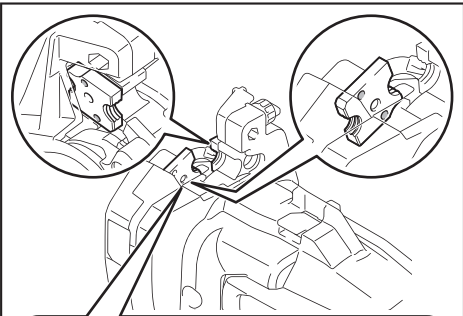




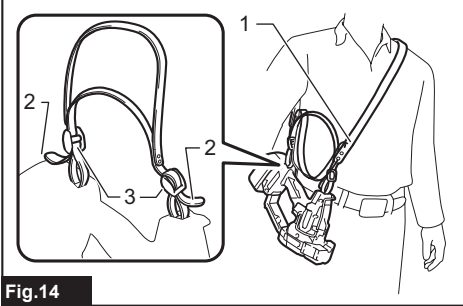




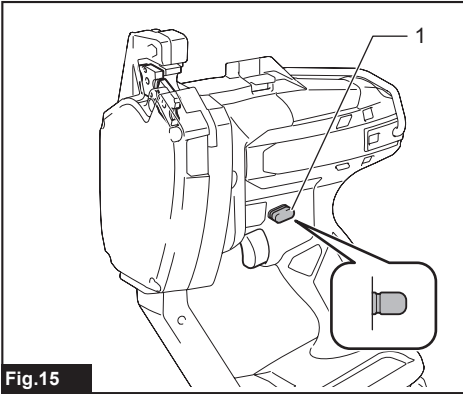
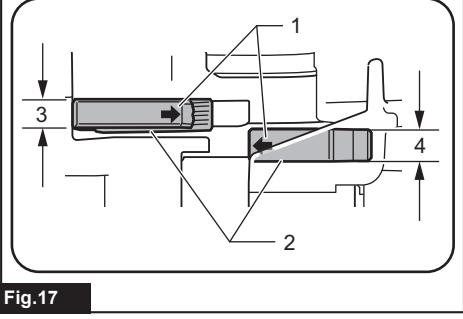
**Fig.13**



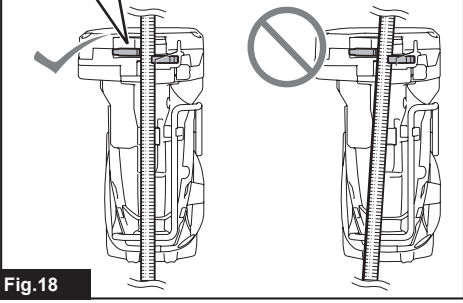
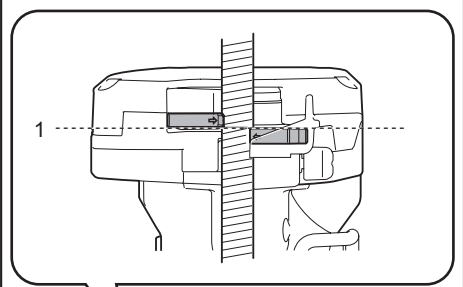
**Fig.17**



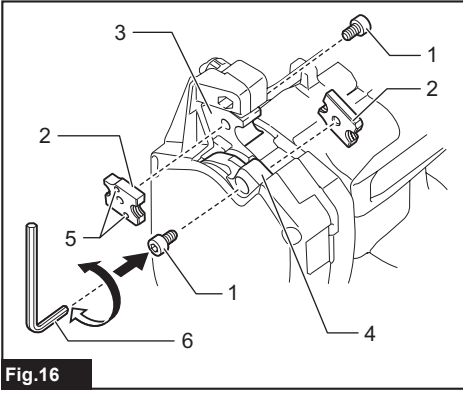
**Fig.14**



**Fig.15**



**Fig.18**



**Fig.16**



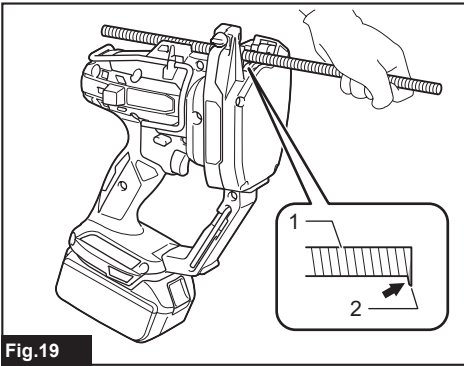


Fig. 19

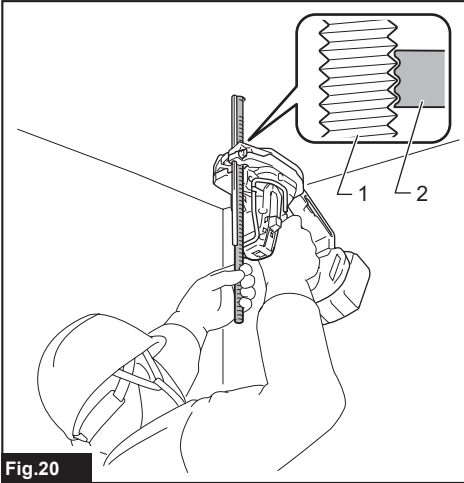


Fig. 20

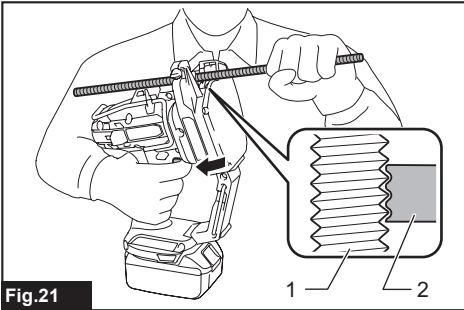


Fig. 21

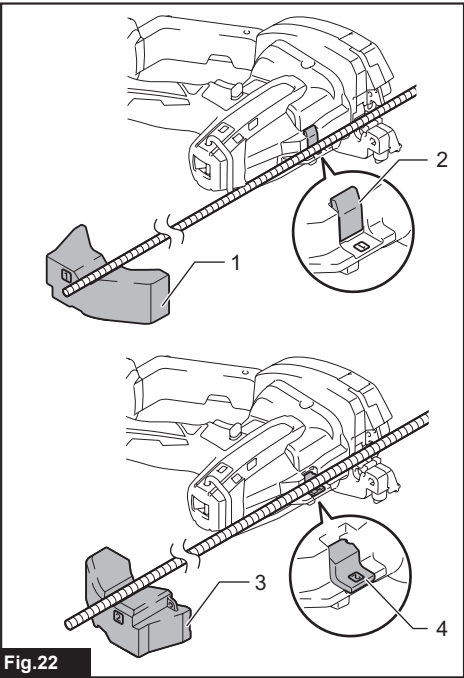


Fig. 22

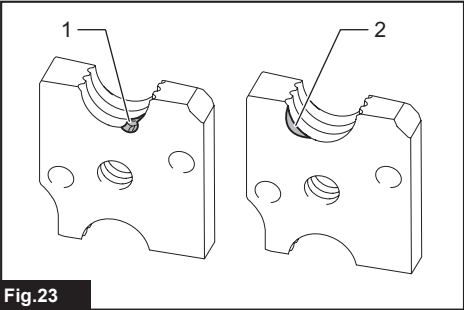


Fig. 23

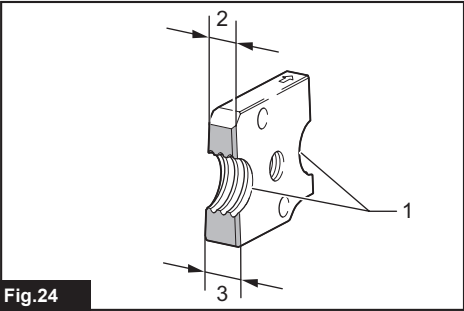
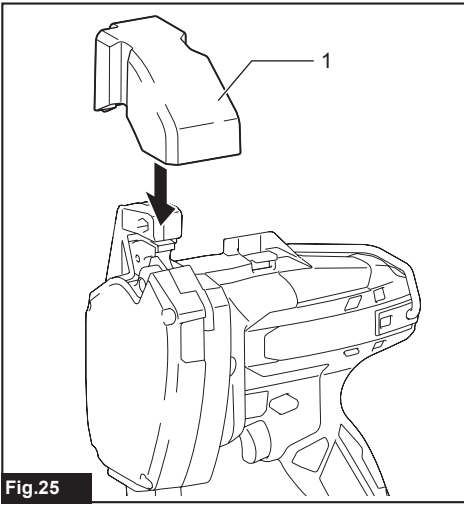


Fig. 24



**Fig.25**

# SPECIFICATIONS

Model:		DSC102
Cutting capacities	Mild steel	W3/8, W5/16, W1/4, 3/8-16UNC, 5/16-18UNC, 1/4-20UNC, M10, M8, M6
	Stainless steel	W3/8, 5/16-18UNC, M8, M6
Overall length	199 mm	
Rated voltage	D.C. 18 V D.C. 14.4 V	
Net weight	2.8 - 3.2 kg	

- Due to our continuing program of research and development, the specifications herein are subject to change without notice.
- Specifications may differ from country to country.
- The weight may differ depending on the attachment(s), including the battery cartridge. The lightest and heaviest combination, according to EPTA-Procedure 01/2014, are shown in the table.

## Applicable battery cartridge and charger

Battery cartridge	D.C. 14.4 V Model	BL1415N / BL1430 / BL1430B / BL1440 / BL1450 / BL1460B
	D.C. 18 V Model	BL1815N / BL1820 / BL1820B / BL1830 / BL1830B / BL1840 / BL1840B / BL1850 / BL1850B / BL1860B
Charger	DC18RC / DC18RD / DC18RE / DC18SD / DC18SE / DC18SF	

- Some of the battery cartridges and chargers listed above may not be available depending on your region of residence.

**⚠ WARNING: Only use the battery cartridges and chargers listed above.** Use of any other battery cartridges and chargers may cause injury and/or fire.

## Symbols

The followings show the symbols used for the equipment. Be sure that you understand their meaning before use.

	Read instruction manual.
	Wear safety glasses.
	Do not touch the cutting dice during operation.
	Pay attention to a cut threaded rod.
	Do not close your face to the tool during operation.
	Only for EU countries Do not dispose of electric equipment or battery pack together with household waste material! In observance of the European Directives, on Waste Electric and Electronic Equipment and Batteries and Accumulators and Waste Batteries and Accumulators and their implementation in accordance with national laws, electric equipment and batteries and battery pack(s) that have reached the end of their life must be collected separately and returned to an environmentally compatible recycling facility.

## Intended use

The tool is intended for cutting threaded rods.

## Noise

The typical A-weighted noise level determined according to EN62841-2-8:

Sound pressure level ( $L_{pA}$ ) : 71 dB(A)

Uncertainty (K) : 3 dB(A)

The noise level under working may exceed 80 dB (A).

**⚠ WARNING: Wear ear protection.**

## Vibration

The vibration total value (tri-axial vector sum) determined according to EN62841-2-8:

Work mode: cutting threaded stainless steel rod (rod size W3/8)

Vibration emission ( $a_h$ ) : 2.5 m/s<sup>2</sup> or less

Uncertainty (K) : 1.5 m/s<sup>2</sup>

**NOTE:** The declared vibration emission value has been measured in accordance with the standard test method and may be used for comparing one tool with another.

**NOTE:** The declared vibration emission value may also be used in a preliminary assessment of exposure.

**⚠WARNING:** The vibration emission during actual use of the power tool can differ from the declared emission value depending on the ways in which the tool is used.

**⚠WARNING:** Be sure to identify safety measures to protect the operator that are based on an estimation of exposure in the actual conditions of use (taking account of all parts of the operating cycle such as the times when the tool is switched off and when it is running idle in addition to the trigger time).

## EC Declaration of Conformity

### For European countries only

The EC declaration of conformity is included as Annex A to this instruction manual.

# SAFETY WARNINGS

## General power tool safety warnings

**⚠WARNING:** Read all safety warnings, instructions, illustrations and specifications provided with this power tool. Failure to follow all instructions listed below may result in electric shock, fire and/or serious injury.

## Save all warnings and instructions for future reference.

The term "power tool" in the warnings refers to your mains-operated (corded) power tool or battery-operated (cordless) power tool.

## Cordless threaded rod cutter safety warnings

1. **Hold the tool firmly.**
2. **Secure the workpiece firmly.**
3. **Keep your face and hands away from moving parts.** During cutting, the fraction of the threaded rod may fly off.
4. **Always wear gloves when handling threaded rods.** Edges and chips of the workpiece are sharp.
5. **Do not put the tool on the chips of the workpiece.** Otherwise it can cause damage and trouble on the tool.
6. **Always be sure you have a firm footing.** Be sure no one is below when using the tool in high locations.
7. **Do not touch the cutting edge or the workpiece immediately after operation; they may be extremely hot and could burn your skin.**
8. **Avoid cutting electrical wires.** It can cause serious accident by electric shock.
9. **Always hold the threaded rod during and after cutting to prevent the cut threaded rod from falling off.** A cut threaded rod may cause serious personal injury if fallen off from a high location.
10. **Keep a safe distance between your body and the moving parts.** Do not operate the tool if the working area is too narrow to keep a safe distance.
11. **Never leave the tool on a high location or a potentially unstable surface.**

## SAVE THESE INSTRUCTIONS.

**⚠WARNING:** DO NOT let comfort or familiarity with product (gained from repeated use) replace strict adherence to safety rules for the subject product.

MISUSE or failure to follow the safety rules stated in this instruction manual may cause serious personal injury.

## Important safety instructions for battery cartridge

1. **Before using battery cartridge, read all instructions and cautionary markings on (1) battery charger, (2) battery, and (3) product using battery.**
2. **Do not disassemble battery cartridge.**
3. **If operating time has become excessively shorter, stop operating immediately.** It may result in a risk of overheating, possible burns and even an explosion.
4. **If electrolyte gets into your eyes, rinse them out with clear water and seek medical attention right away.** It may result in loss of your eyesight.
5. **Do not short the battery cartridge:**
  - (1) **Do not touch the terminals with any conductive material.**
  - (2) **Avoid storing battery cartridge in a container with other metal objects such as nails, coins, etc.**
  - (3) **Do not expose battery cartridge to water or rain.**

A battery short can cause a large current flow, overheating, possible burns and even a breakdown.
6. **Do not store the tool and battery cartridge in locations where the temperature may reach or exceed 50 °C (122 °F).**
7. **Do not incinerate the battery cartridge even if it is severely damaged or is completely worn out.** The battery cartridge can explode in a fire.
8. **Be careful not to drop or strike battery.**
9. **Do not use a damaged battery.**
10. **The contained lithium-ion batteries are subject to the Dangerous Goods Legislation requirements.** For commercial transports e.g. by third parties, forwarding agents, special requirement on packaging and labeling must be observed. For preparation of the item being shipped, consulting an expert for hazardous material is required. Please also observe possibly more detailed national regulations. Tape or mask off open contacts and pack up the battery in such a manner that it cannot move around in the packaging.
11. **Follow your local regulations relating to disposal of battery.**
12. **Use the batteries only with the products specified by Makita.** Installing the batteries to non-compliant products may result in a fire, excessive heat, explosion, or leak of electrolyte.

## SAVE THESE INSTRUCTIONS.

**⚠CAUTION:** Only use genuine Makita batteries. Use of non-genuine Makita batteries, or batteries that have been altered, may result in the battery bursting causing fires, personal injury and damage. It will also void the Makita warranty for the Makita tool and charger.

## Tips for maintaining maximum battery life

1. Charge the battery cartridge before completely discharged. Always stop tool operation and charge the battery cartridge when you notice less tool power.
2. Never recharge a fully charged battery cartridge. Overcharging shortens the battery service life.
3. Charge the battery cartridge with room temperature at 10 °C - 40 °C (50 °F - 104 °F). Let a hot battery cartridge cool down before charging it.
4. Charge the battery cartridge if you do not use it for a long period (more than six months).

## PARTS DESCRIPTION

► Fig.1

1	Stationary mount	2	Movable mount	3	Cutting die	4	Bolt
5	Hook	6	Shoulder strap base (for optional accessory)	7	Hex Wrench	8	Lamp (inside)
9	Front face	10	Switch trigger	11	Reversing switch lever	12	Rod guide
13	Guide scale	14	Clamping screw	15	Cover	-	-

## FUNCTIONAL DESCRIPTION

**⚠ CAUTION:** Always be sure that the tool is switched off and the battery cartridge is removed before adjusting or checking function on the tool.

### Installing or removing battery cartridge

**⚠ CAUTION:** Always switch off the tool before installing or removing of the battery cartridge.

**⚠ CAUTION:** Hold the tool and the battery cartridge firmly when installing or removing battery cartridge. Failure to hold the tool and the battery cartridge firmly may cause them to slip off your hands and result in damage to the tool and battery cartridge and a personal injury.

► Fig.2: 1. Red indicator 2. Button 3. Battery cartridge

To remove the battery cartridge, slide it from the tool while sliding the button on the front of the cartridge.

To install the battery cartridge, align the tongue on the battery cartridge with the groove in the housing and slip it into place. Insert it all the way until it locks in place with a little click. If you can see the red indicator on the upper side of the button, it is not locked completely.

**⚠ CAUTION:** Always install the battery cartridge fully until the red indicator cannot be seen. If not, it may accidentally fall out of the tool, causing injury to you or someone around you.

**⚠ CAUTION:** Do not install the battery cartridge forcibly. If the cartridge does not slide in easily, it is not being inserted correctly.

### Tool / battery protection system

The tool is equipped with a tool/battery protection system. This system automatically cuts off power to the motor to extend tool and battery life. The tool will automatically stop during operation if the tool or battery is placed under one of the following conditions.

#### Overload protection

When the tool is operated in a manner that causes it to draw an abnormally high current, the tool automatically stops without any indication. In this situation, turn the tool off and stop the application that caused the tool to become overloaded. Then turn the tool on to restart.

**NOTE:** Overload protection activates when you try to cut the following kinds of threaded rods.

- A threaded rod which is larger than the cutting dice size.
- A threaded rod which is harder than the cutting capacity of the cutting dice.

#### Overheat protection

When the tool is overheated, the tool automatically stops and the LED light will blink. Let the tool cool down before turning the tool on again.

#### Overdischarge protection

When the battery capacity becomes low, the tool stops automatically. If the product does not operate even when the switches are operated, remove the batteries from the tool and charge the batteries.

### Indicating the remaining battery capacity

**Only for battery cartridges with the indicator**

► Fig.3: 1. Indicator lamps 2. Check button

Press the check button on the battery cartridge to indicate the remaining battery capacity. The indicator lamps light up for a few seconds.

Indicator lamps			Remaining capacity
Lighted	Off	Blinking	
■	□	▧	75% to 100%
■ ■ ■ ■			
■ ■ ■ □			50% to 75%
■ ■ □ □			25% to 50%
■ □ □ □			0% to 25%
▧ □ □ □			Charge the battery.
■ ■ □ □			The battery may have malfunctioned.
□ □ ■ ■			

**NOTE:** Depending on the conditions of use and the ambient temperature, the indication may differ slightly from the actual capacity.

## Switch action

**CAUTION:** Before installing the battery cartridge into the tool, always check to see that the switch trigger actuates properly and returns to the "OFF" position when released.

To start the cutting operation, continue to pull the switch trigger. The cutting die on the movable mount will overlap with the die on the stationary mount and then returns. If you release the switch trigger before completing the cut, the cutting dice will stop.

► **Fig.4:** 1. Switch trigger

► **Fig.5:** 1. Stationary mount 2. Cutting die 3. Movable mount

**NOTICE:** Do not operate the tool at no-load unnecessarily.

## Auto-stop function

When you continue to pull the switch trigger, the jaw of the dice once closes and returns to fully opened position then stops. Release the trigger and pull it again to begin the next cutting sequence.

## Reversing switch lever

**WARNING:** When not operating the tool, always set the reversing switch lever to the lock position.

**CAUTION:** Always make sure the position of the reversing switch lever before operating.

**NOTICE:** Do not move the reversing switch lever when the switch trigger is being pulled. This may cause a damage to the tool.

To start the cutting operation, set the reversing switch lever to cutting position.

To reverse the cutting sequence, set the reversing switch lever to the reversing position. When you continue to pull the switch trigger, the jaw of the cutting dice opens and stops at fully opened position.

To lock the switch trigger, set the reversing switch lever to the lock position. The switch trigger cannot be pulled in this position.

► **Fig.6:** 1. Reversing switch lever 2. Cutting position 3. Lock position 4. Reversing position

**NOTICE:** When the reversing switch lever is in the reversing position, run the tool only as needed. To prevent the damage to the tool, the tool will automatically stops when it is run in the reversing position continuously.

**NOTE:** After cutting, if you release the switch trigger while the jaw of the cutting dice is opening and then set the reversing switch lever to the reversing position, the jaw will once close and then open when you pull the switch trigger again.

## LED light

**CAUTION:** Do not look in the light or see the source of light directly.

Pull the switch trigger to light up the lamp. The lamp keeps on lighting while the switch trigger is being pulled. The lamp goes out approximately 15 seconds after releasing the switch trigger.

► **Fig.7:** 1. Lamp (inside)

**NOTE:** Use a dry cloth to wipe the dirt off the lens of the lamp. Be careful not to scratch the lens of lamp, or it may lower the illumination.

**NOTE:** When the tool is overheated, the lamp will blink. Let the tool cool down in this case.

## Guide scale

Use the guide scale if you wish to cut threaded rods in the same length. Insert the guide scale into the hole as shown in the figure.

► **Fig.8:** 1. Guide scale 2. Clamping screw

Align the value of your desired length on the guide scale with the cutting line. Then tighten the clamping screw.

► **Fig.9:** 1. Guide scale 2. Cutting line 3. Clamping screw

**CAUTION:** Do not hold the guide scale to carry or handle the tool. The tool may fall off and cause personal injury and/or damage to the tool.

## Rod guide

For a precise cutting, set the rod guide in position depending on the diameter of the threaded rod to be cut.

► **Fig.10:** 1. Rod guide (Position 1) 2. Rod guide (Position 2)

There are two rod guide positions.

Position	Size of threaded rod
1	W3/8, 3/8-16UNC, M10
2	W5/16, W1/4, 5/16-18UNC, 1/4-20UNC, M8, M6

## Hook

**CAUTION:** Never hook the tool on a windy location or a potentially unstable surface.

**CAUTION:** Do not use the hook when it is deformed or damaged.

**CAUTION:** When not operating the tool, always fold the hook.

The hook is convenient for hanging the tool temporarily.

► Fig.11: 1. Hook

**CAUTION:** Do not hang the hook from the waist belt. It may result in personal injuries and/or damage to the tool if dropped.

► Fig.12

## Hex wrench storage

When not in use, store the hex wrench as shown in the figure to keep it from being lost.

► Fig.13: 1. Hex wrench

## Shoulder strap

### Optional accessory

Shoulder strap is useful for carrying the tool.

► Fig.14: 1. Shoulder strap 2. Belt end 3. Buckle

**CAUTION:** Always wear the shoulder strap crossed over your body and adjusted in proper length.

**CAUTION:** Do not use the shoulder strap if it is damaged.

**CAUTION:** Leave an sufficient length between the buckle and belt end to prevent the belt end from slipping through the buckle.

## ASSEMBLY

**CAUTION:** Always be sure that the tool is switched off and the battery cartridge is removed before carrying out any work on the tool.

## Installing the cutting dice

**CAUTION:** Always install the cutting dice in the correct directions and secured firmly. Incorrect or loose attachment may cause breakage of the cutting dice, resulting personal injury by flown off fractions.

**NOTICE:** Remove the burr on the cutting dice using a file if any.

1. Check if the jaw of the cutting dice is fully opened. If not, install the battery and pull the switch trigger until the jaw is fully opened.

**CAUTION:** Be sure to remove the battery cartridge if you installed.

2. Set the reversing switch lever to the lock position.

► Fig.15: 1. Reversing switch lever

3. Unscrew the bolts with the supplied hex wrench.

**CAUTION:** Use only the Makita wrench provided with the tool. Using other wrenches may result in overtightening or insufficient tightening which causes personal injury.

4. Set the cutting dice onto the mounts so that the two colored markings can be seen.

► Fig.16: 1. Bolt 2. Cutting die 3. Stationary mount  
4. Movable mount 5. Colored marking  
6. Hex wrench

5. Secure the cutting dice with the bolts firmly.

The cutting dice are correctly installed if the arrows on them point each other. The dimensions of the cutting dice are the same but their thickness look different when seen from above.

► Fig.17: 1. Arrow 2. Cutting die 3. Thin side 4. Thick side

## OPERATION

**CAUTION:** Make sure that the correct size of the cutting dice are installed to the tool. Check the cutting capacity written on the the cutting dice before cutting.

**CAUTION:** Before pulling the switch trigger, be sure to set the threaded rod so that its thread fits with those of cutting dice. Incorrect alignment of the threads may break the cutting dice and cause personal injury by flown off fractions.

**CAUTION:** Replace the cutting dice if the cutting edge is chipped or deformed.

When cutting, place the threaded rod perpendicular to the cutting line as shown in the figure.

► Fig.18: 1. Cutting line

**NOTE:** When cutting a threaded rod made of ductile metal such as stainless steel, burrs may be generated on the cut end. Remove burrs with a file in this case.

► Fig.19: 1. Threaded rod 2. Burr

## Cutting secured threaded rods

When cutting a threaded rod which is secured to the building structure such as the ceiling, wall, floor, etc., follow the procedure below :

► Fig.20: 1. Threaded rod 2. Cutting die on the stationary mount

1. Bring the tool so that the threaded rod is positioned between the cutting dice.

2. While the threaded rod contacting with the rod guide, fit the thread of the rod with that of the cutting die on the stationary mount.

3. Pull and hold the switch trigger until the cutting is finished and the jaw of the cutting dice comes to fully opened position.

**NOTICE:** Clean the front face of the tool and the tip of the guide scale before operation. They may dirty the contacting surface.

## Cutting loose threaded rods

When cutting a loose threaded rod on the floor or a work table, follow the procedure below :

► **Fig.21:** 1. Threaded rod 2. Cutting die on the stationary mount

1. Position a threaded rod between the cutting dice.
2. While the threaded rod contacting with the rod guide, fit the thread of the rod with that of the cutting die on the stationary mount.
3. Pull and hold the switch trigger until the cutting is finished and the jaw of the cutting dice comes to fully opened position.

When cutting a long threaded rod which is hard to hold by hand, place the tool as illustrated. The tool can be placed flat. The cover also can be used for supporting the end of the threaded rod.

► **Fig.22:** 1. Cover (Position 1) 2. Rod guide (Position 1) 3. Cover (Position 2) 4. Rod guide (Position 2)

The cover has markings to indicate its position. Depending on the size of the threaded rod, put the cover in the position as shown in the table as well as the rod guide.

Position	Size of threaded rod
1	W3/8, 3/8-16UNC, M10
2	W5/16, W1/4, 5/16-18UNC, 1/4-20UNC, M8, M6

## Quitting the cutting in the middle

**CAUTION:** Never try to pull out the tool forcibly from the threaded rod. It may cause unexpected start up which cause personal injury or damage to the cutting dice and tool.

When quitting the cutting in the middle, set the reversing switch lever to the reversing position and pull the switch trigger until the threaded rod is completely released from the cutting dice.

## MAINTENANCE

**CAUTION:** Always be sure that the tool is switched off and the battery cartridge is removed before attempting to perform inspection or maintenance.

**NOTICE:** Never use gasoline, benzine, thinner, alcohol or the like. Discoloration, deformation or cracks may result.

## Replacing the cutting dice

**NOTICE:** Replace the both cutting dice at the same time. Replacing the one side of the cutting die may generate burr on the threaded rod.

Replace the cutting dice when it is chipped, deformed, or the cutting gets dull. To replace, follow the instructions in "Installing the cutting dice".

► **Fig.23:** 1. Chipping 2. Deformation

One cutting die has two cutting edges and thick side and thin side. Switch the installation positions of the cutting dice if you have not used the other sides of the cutting edges.

► **Fig.24:** 1. Cutting edge 2. Thin side 3. Thick side

## Carrying/storing the tool

**CAUTION:** When the tool is not used, always attach the supplied cover to the cutting portion.

Attach the cover when carrying the tool.

When storing the tool, remove the battery cartridge and the guide scale from the tool. Clean dust on the cutting dice and the moving part. After that, attach the cover.

► **Fig.25:** 1. Cover

To maintain product SAFETY and RELIABILITY, repairs, any other maintenance or adjustment should be performed by Makita Authorized or Factory Service Centers, always using Makita replacement parts.

## OPTIONAL ACCESSORIES

**CAUTION:** These accessories or attachments are recommended for use with your Makita tool specified in this manual. The use of any other accessories or attachments might present a risk of injury to persons. Only use accessory or attachment for its stated purpose.

If you need any assistance for more details regarding these accessories, ask your local Makita Service Center.

- Cutting dice
- Shoulder strap
- Makita genuine battery and charger

**NOTE:** Some items in the list may be included in the tool package as standard accessories. They may differ from country to country.



# SPÉCIFICATIONS

Modèle :		DSC102
Capacités de coupe	Acier doux	W3/8, W5/16, W1/4, 3/8-16UNC, 5/16-18UNC, 1/4-20UNC, M10, M8, M6
	Acier inoxydable	W3/8, 5/16-18UNC, M8, M6
Longueur totale		199 mm
Tension nominale		18 V CC 14,4 V CC
Poids net		2,8 - 3,2 kg

- Étant donné l'évolution constante de notre programme de recherche et de développement, les spécifications contenues dans ce manuel sont sujettes à modification sans préavis.
- Les spécifications peuvent varier suivant les pays.
- Le poids peut être différent selon les accessoires, notamment la batterie. Les associations la plus légère et la plus lourde, conformément à la procédure EPTA 01/2014, sont indiquées dans le tableau.

## Batterie et chargeur applicables

Batterie	Modèle 14,4 V CC	BL1415N / BL1430 / BL1430B / BL1440 / BL1450 / BL1460B
	Modèle 18 V CC	BL1815N / BL1820 / BL1820B / BL1830 / BL1830B / BL1840 / BL1840B / BL1850 / BL1850B / BL1860B
Chargeur		DC18RC / DC18RD / DC18RE / DC18SD / DC18SE / DC18SF

- Certains chargeurs et batteries répertoriés ci-dessus peuvent ne pas être disponibles selon la région où vous résidez.

**⚠ AVERTISSEMENT : N'utilisez que les batteries et les chargeurs répertoriés ci-dessus.** L'utilisation d'autres batteries et chargeurs peut provoquer des blessures et/ou un incendie.

## Symboles

Vous trouverez ci-dessous les symboles utilisés pour l'appareil. Veuillez à comprendre leur signification avant toute utilisation.



Lire le mode d'emploi.



Portez des lunettes de sécurité.



Ne touchez pas les emporte-pièces pendant le fonctionnement.



Faites attention aux tiges fileté coupées.



N'approchez pas votre visage de l'outil pendant le fonctionnement.



Pour les pays de l'Union européenne uniquement  
Ne jetez pas les appareils électriques ou les batteries avec vos ordures ménagères ! Conformément aux directives européennes relatives aux déchets d'équipements électriques et électroniques et aux piles et accumulateurs ainsi qu'aux déchets de piles et d'accumulateurs et leur mise en œuvre conformément aux lois nationales, les équipements électriques, les piles et les batteries en fin de vie doivent faire l'objet d'une collecte sélective et être confiés à une usine de recyclage respectueuse de l'environnement.

## Utilisations

L'outil est conçu pour la coupe des tiges fileté.

## Bruit

Niveau de bruit pondéré A typique, déterminé selon EN62841-2-8 :  
Niveau de pression sonore ( $L_{pA}$ ) : 71 dB (A)  
Incertitude (K) : 3 dB (A)

Le niveau de bruit en fonctionnement peut dépasser 80 dB (A).

**⚠ AVERTISSEMENT : Portez un serre-tête antibruit.**

## Vibrations

Valeur totale de vibrations (somme de vecteur triaxial) déterminée selon EN62841-2-8 :  
Mode de travail : coupe de tige fileté en acier inoxydable (grosseur de tige W3/8)  
Émission de vibrations ( $a_{h1}$ ) : 2,5 m/s<sup>2</sup> ou moins  
Incertitude (K) : 1,5 m/s<sup>2</sup>

**NOTE :** La valeur d'émission de vibrations déclarée a été mesurée conformément à la méthode de test standard et peut être utilisée pour comparer les outils entre eux.

**NOTE :** La valeur d'émission de vibrations déclarée peut aussi être utilisée pour l'évaluation préliminaire de l'exposition.

**⚠ AVERTISSEMENT** : L'émission de vibrations lors de l'usage réel de l'outil électrique peut être différente de la valeur d'émission déclarée, suivant la façon dont l'outil est utilisé.

**⚠ AVERTISSEMENT** : Les mesures de sécurité à prendre pour protéger l'utilisateur doivent être basées sur une estimation de l'exposition dans des conditions réelles d'utilisation (en tenant compte de toutes les composantes du cycle d'utilisation, comme par exemple le moment de sa mise hors tension, lorsqu'il tourne à vide et le moment de son déclenchement).

## Déclaration de conformité CE

### Pour les pays européens uniquement

La déclaration de conformité CE est fournie en Annexe A à ce mode d'emploi.

## CONSIGNES DE SÉCURITÉ

### Consignes de sécurité générales pour outils électriques

**⚠ AVERTISSEMENT** : Veuillez lire les consignes de sécurité, instructions, illustrations et spécifications qui accompagnent cet outil électrique. Le non-respect de toutes les instructions indiquées ci-dessous peut entraîner une électrocution, un incendie et/ou de graves blessures.

## Conservez toutes les mises en garde et instructions pour référence ultérieure.

Le terme « outil électrique » dans les avertissements fait référence à l'outil électrique alimenté par le secteur (avec cordon d'alimentation) ou à l'outil électrique fonctionnant sur batterie (sans cordon d'alimentation).

### Consignes de sécurité pour coupe tige fileté sans fil

1. **Tenez l'outil fermement.**
2. **Fixez la pièce à travailler solidement.**
3. **Maintenez votre visage et vos mains à l'écart des pièces en mouvement.** Pendant la coupe, un fragment de la tige fileté peut voler en éclats.
4. **Portez toujours des gants pour manipuler les tiges filetés.** Les bords et les copeaux de la pièce à travailler sont coupants.
5. **Ne posez pas l'outil sur les copeaux de la pièce à travailler.** Autrement, l'outil risque d'être endommagé ou de présenter une anomalie.
6. **Assurez-vous toujours d'avoir une bonne assise.** Veillez à ce que personne ne se trouve en dessous de vous quand vous utilisez l'outil en hauteur.

7. **Ne touchez pas le tranchant ou la pièce immédiatement après l'exécution du travail ; ils peuvent être extrêmement chauds et vous brûler la peau.**
8. **Prenez garde de ne pas couper de fils électriques.** Il peut en résulter un grave accident par électrocution.
9. **Tenez toujours la tige fileté pendant et après la coupe pour éviter que la partie coupée ne tombe.** Une tige fileté coupée peut provoquer de graves blessures corporelles en tombant de haut.
10. **Maintenez une distance de sécurité entre votre corps et les pièces en mouvement.** N'utilisez pas l'outil si l'aire de travail est trop étroite pour maintenir la distance de sécurité.
11. **Ne laissez jamais l'outil dans un endroit élevé ou potentiellement instable.**

## CONSERVEZ CES INSTRUCTIONS.

**⚠ AVERTISSEMENT** : NE vous laissez PAS tromper (au fil d'une utilisation répétée) par un sentiment d'aisance et de familiarité avec le produit, en négligeant le respect rigoureux des consignes de sécurité qui accompagnent le produit en question.

La MAUVAISE UTILISATION de l'outil ou l'ignorance des consignes de sécurité indiquées dans ce mode d'emploi peut entraîner de graves blessures.

### Consignes de sécurité importantes pour la batterie

1. **Avant d'utiliser la batterie, lisez toutes les instructions et précautions relatives (1) au chargeur de batterie, (2) à la batterie, et (3) au produit utilisant la batterie.**
2. **Ne démontez pas la batterie.**
3. **Cessez immédiatement l'utilisation si le temps de fonctionnement devient excessivement court.** Il y a un risque de surchauffe, de brûlures, voire d'explosion.
4. **Si l'électrolyte pénètre dans vos yeux, rincez-les à l'eau claire et consultez immédiatement un médecin.** Il y a un risque de perte de la vue.
5. **Ne court-circuitez pas la batterie :**
  - (1) **Ne touchez les bornes avec aucun matériau conducteur.**
  - (2) **Évitez de ranger la batterie dans un conteneur avec d'autres objets métalliques, par exemple des clous, des pièces de monnaie, etc.**
  - (3) **N'exposez pas la batterie à l'eau ou à la pluie.**

Un court-circuit de la batterie peut provoquer une intensité de courant élevée, une surchauffe, parfois des brûlures et même une panne.
6. **Ne rangez pas l'outil et la batterie dans un endroit où la température risque d'atteindre ou de dépasser 50 °C.**

7. **Ne jetez pas la batterie au feu même si elle est sérieusement endommagée ou complètement épuisée. La batterie peut exploser au contact du feu.**
8. **Évitez de laisser tomber ou de cogner la batterie.**
9. **N'utilisez pas la batterie si elle est endommagée.**
10. **Les batteries au lithium-ion contenues sont soumises aux exigences de la législation sur les marchandises dangereuses.**  
Lors du transport commercial par des tierces parties ou des transitaires par exemple, des exigences spécifiques en matière d'étiquetage et d'emballage doivent être respectées.  
Pour la préparation de l'article expédié, il est nécessaire de consulter un expert en matériau dangereux. Veuillez également respecter les réglementations nationales susceptibles d'être plus détaillées.  
Recouvrez les contacts exposés avec du ruban adhésif ou du ruban de masquage et emballez la batterie de telle sorte qu'elle ne puisse pas bouger dans l'emballage.
11. **Suivez les réglementations locales en matière de mise au rebut des batteries.**
12. **Utilisez les batteries uniquement avec les produits spécifiés par Makita.** L'insertion de batteries dans des produits non conformes peut provoquer un incendie, une chaleur excessive, une explosion ou une fuite de l'électrolyte.

**⚠ATTENTION : N'utilisez que des batteries Makita d'origine.** L'utilisation de batteries de marque autre que Makita ou de batteries modifiées peut provoquer l'explosion des batteries, ce qui présente un risque d'incendie, de dommages matériels et corporels. Cela annulera également la garantie Makita pour l'outil et le chargeur Makita.

## Conseils pour assurer la durée de vie optimale de la batterie

1. **Chargez la batterie avant qu'elle ne soit complètement déchargée. Arrêtez toujours l'outil et rechargez la batterie quand vous remarquez que la puissance de l'outil diminue.**
2. **Ne rechargez jamais une batterie complètement chargée. La surcharge réduit la durée de service de la batterie.**
3. **Chargez la batterie à une température ambiante comprise entre 10 °C et 40 °C. Avant de charger une batterie chaude, laissez-la refroidir.**
4. **Rechargez la batterie si elle est restée inutilisée pendant une période prolongée (plus de six mois).**

## CONSERVEZ CES INSTRUCTIONS.

## DESCRIPTION DES PIÈCES

► Fig.1

1	Support de montage fixe	2	Support de montage mobile	3	Emporte-pièce	4	Boulon
5	Crochet	6	Base de la bandoulière (pour l'accessoire en option)	7	Clé hexagonale	8	Lampe (à l'intérieur)
9	Face avant	10	Gâchette	11	Levier de l'inverseur	12	Guide de la tige
13	Échelle du guide	14	Vis de serrage	15	Couvercle	-	-

# DESCRIPTION DU FONCTIONNEMENT

**ATTENTION** : Assurez-vous toujours que l'outil est hors tension et que sa batterie est retirée avant de l'ajuster ou de vérifier son fonctionnement.

## Insertion ou retrait de la batterie

**ATTENTION** : Éteignez toujours l'outil avant de mettre en place ou de retirer la batterie.

**ATTENTION** : Tenez fermement l'outil et la batterie lors de la mise en place ou du retrait de la batterie. Si vous ne tenez pas fermement l'outil et la batterie, ils peuvent vous glisser des mains, et s'abîmer ou vous blesser.

► Fig.2: 1. Voyant rouge 2. Bouton 3. Batterie

Pour retirer la batterie, faites-la glisser hors de l'outil tout en faisant glisser le bouton à l'avant de la batterie.

Pour mettre en place la batterie, alignez la languette sur la batterie avec la rainure sur le compartiment et insérez-la. Insérez-la à fond jusqu'à ce qu'un léger déclic se fasse entendre. Si le voyant rouge sur le dessus du bouton est visible, cela signifie qu'elle n'est pas bien verrouillée.

**ATTENTION** : Insérez toujours complètement la batterie jusqu'à ce que le voyant rouge ne soit plus visible. Sinon, elle pourrait tomber accidentellement de l'outil, au risque de vous blesser ou de blesser quelqu'un se trouvant près de vous.

**ATTENTION** : N'insérez pas la batterie de force. Si elle ne glisse pas facilement, c'est que vous ne l'insérez pas correctement.

## Système de protection de l'outil/la batterie

L'outil est équipé d'un système de protection de l'outil/la batterie. Ce système coupe automatiquement l'alimentation vers le moteur pour prolonger la durée de vie de l'outil et de la batterie. Si l'outil ou la batterie se trouve dans l'une des situations suivantes, l'outil cessera automatiquement de fonctionner. Dans certaines situations, les témoins s'allument.

## Protection contre la surcharge

Lorsque l'outil est utilisé d'une manière provoquant un appel de courant anormalement élevé, l'outil s'arrête automatiquement sans indication. Dans ce cas, éteignez l'outil et arrêtez la tâche ayant provoqué la surcharge de l'outil. Puis rallumez l'outil pour reprendre la tâche.

**NOTE** : La protection contre la surcharge s'active lorsque vous essayez de couper les types suivants de tiges filetées.

- Une tige filetée plus grande que les emporte-pièces.
- Une tige filetée plus dure que la capacité de coupe des emporte-pièces.

## Protection contre la surchauffe

En cas de surchauffe, l'outil s'arrête automatiquement et la DEL d'éclairage clignote. Laissez l'outil refroidir avant de le rallumer.

## Protection contre la décharge totale de la batterie

Lorsque la charge restante de la batterie devient très faible, l'outil s'arrête automatiquement. Si le produit ne fonctionne pas même en actionnant les boutons, retirez les batteries de l'outil et chargez-les.

## Indication de la charge restante de la batterie

Uniquement pour les batteries avec voyant lumineux

► Fig.3: 1. Témoins 2. Bouton de vérification

Appuyez sur le bouton de vérification sur la batterie pour indiquer la charge restante de la batterie. Les témoins s'allument pendant quelques secondes.

Témoins			Charge restante
Allumé	Éteint	Clignotant	
■ ■ ■ ■	□ □ □ □	◐ ◑	75 % à 100 %
■ ■ ■ □	□ □ □ □	◐ ◑	50 % à 75 %
■ ■ □ □	□ □ □ □	◐ ◑	25 % à 50 %
■ □ □ □	□ □ □ □	◐ ◑	0 % à 25 %
◐ ◑ □ □	□ □ □ □	◐ ◑	Chargez la batterie.
■ ■ □ □	□ □ □ □	◐ ◑	Anomalie possible de la batterie.
□ □ ■ ■	□ □ □ □	◐ ◑	

**NOTE** : Selon les conditions d'utilisation et la température ambiante, l'indication peut être légèrement différente de la capacité réelle.

## Fonctionnement de la gâchette

**ATTENTION** : Avant d'insérer la batterie dans l'outil, vérifiez toujours que la gâchette fonctionne bien et revient en position d'arrêt lorsque vous la relâchez.

Pour démarrer la coupe, continuez d'enclencher la gâchette. L'emporte-pièce sur le support de montage mobile chevauchera celui sur le support de montage fixe, puis reviendra en place. Si vous relâchez la gâchette avant de terminer la coupe, les emporte-pièces s'arrêteront.

► Fig.4: 1. Gâchette

► Fig.5: 1. Support de montage fixe 2. Emporte-pièce 3. Support de montage mobile

**REMARQUE** : Ne faites pas tourner l'outil à vide inutilement.

## Fonction d'arrêt automatique

Si vous continuez à enclencher la gâchette, la mâchoire des emporte-pièces se ferme puis revient à la position complètement ouverte et s'arrête. Relâchez la gâchette, puis enclenchez-la à nouveau avant la prochaine séquence de coupe.

### Levier de l'inverseur

**⚠ AVERTISSEMENT :** Lorsque vous n'utilisez pas l'outil, placez toujours le levier de l'inverseur en position verrouillée.

**⚠ ATTENTION :** Avant l'utilisation, vérifiez toujours la position du levier de l'inverseur.

**REMARQUE :** Ne déplacez pas le levier de l'inverseur pendant que la gâchette est enclenchée. Cela peut endommager l'outil.

Pour démarrer la coupe, placez le levier de l'inverseur sur la position de coupe.

Pour inverser la séquence de coupe, placez le levier de l'inverseur sur la position inverse. Si vous continuez à enclencher la gâchette, la mâchoire des emporte-pièces s'ouvre et s'arrête sur la position complètement ouverte.

Pour verrouiller la gâchette, placez le levier de l'inverseur sur la position verrouillée. La gâchette ne peut pas être enclenchée dans cette position.

► **Fig.6:** 1. Levier de l'inverseur 2. Position de coupe 3. Position verrouillée 4. Position inverse

**REMARQUE :** Si le levier de l'inverseur est sur la position inverse, faites tourner l'outil uniquement par à-coup. Pour éviter d'endommager l'outil, celui-ci s'arrête automatiquement s'il tourne continuellement dans la position inverse.

**NOTE :** Après la coupe, si vous relâchez la gâchette alors que la mâchoire des emporte-pièces est ouverte, puis placez le levier de l'inverseur sur la position inverse, la mâchoire se ferme, puis s'ouvre lorsque vous enclenchez à nouveau la gâchette.

### DEL d'éclairage

**⚠ ATTENTION :** Évitez de regarder directement le faisceau lumineux ou sa source.

Enclenchez la gâchette pour allumer la lampe. La lampe reste allumée tant que la gâchette est enclenchée. La lampe s'éteint environ 15 secondes après avoir relâché la gâchette.

► **Fig.7:** 1. Lampe (à l'intérieur)

**NOTE :** Retirez la saleté sur la lentille de la lampe avec un chiffon sec. Prenez soin de ne pas érafler la lentille de la lampe sous peine de diminuer son éclairage.

**NOTE :** Si l'outil surchauffe, la lampe clignote. Laissez l'outil refroidir dans ce cas.

## Échelle du guide

Utilisez l'échelle du guide si vous souhaitez couper des tiges filetées de même longueur. Insérez l'échelle du guide dans le trou comme illustré sur la figure.

► **Fig.8:** 1. Échelle du guide 2. Vis de serrage

Alignez la valeur de la longueur souhaitée sur l'échelle du guide avec le trait de coupe. Puis serrez la vis de serrage.

► **Fig.9:** 1. Échelle du guide 2. Trait de coupe 3. Vis de serrage

**⚠ ATTENTION :** Ne tenez pas l'échelle du guide pour transporter ou manipuler l'outil. L'outil pourrait tomber et provoquer des blessures corporelles et/ou des dégâts matériels.

## Guide de la tige

Pour une coupe précise, placez le guide de la tige en place en fonction du diamètre de la tige filetée à couper.

► **Fig.10:** 1. Guide de la tige (Position 1) 2. Guide de la tige (Position 2)

Il y a deux positions pour le guide de la tige.

Position	Taille de la tige filetée
1	W3/8, 3/8-16UNC, M10
2	W5/16, W1/4, 5/16-18UNC, 1/4-20UNC, M8, M6

## Crochet

**⚠ ATTENTION :** N'accrochez jamais l'outil dans un endroit venteux ou potentiellement instable.

**⚠ ATTENTION :** N'utilisez pas le crochet s'il est déformé ou endommagé.

**⚠ ATTENTION :** Lorsque vous n'utilisez pas l'outil, repliez toujours le crochet.

Le crochet est pratique pour suspendre temporairement l'outil.

► **Fig.11:** 1. Crochet

**⚠ ATTENTION :** Ne laissez pas pendre le crochet à la ceinture. Vous pourriez vous blesser et/ou endommager l'outil si celui venait à tomber.

► **Fig.12**

## Rangement de la clé hexagonale

Lorsque vous n'utilisez pas la clé hexagonale, rangez-la tel qu'indiqué sur l'illustration pour éviter de la perdre.

► **Fig.13:** 1. Clé hexagonale

## Bandoulière

### Accessoire en option

La bandoulière est pratique pour transporter l'outil.

► **Fig.14:** 1. Bandoulière 2. Extrémité de la ceinture 3. Boucle

**⚠ ATTENTION :** Portez toujours la bandoulière croisée sur votre corps et ajustée à la bonne longueur.

**⚠ ATTENTION :** N'utilisez pas la bandoulière si elle est endommagée.

**⚠ ATTENTION :** Laissez une longueur suffisante entre la boucle et l'extrémité de la ceinture pour éviter que l'extrémité de la ceinture ne s'échappe de la boucle.

## ASSEMBLAGE

**⚠ ATTENTION :** Assurez-vous toujours que l'outil est hors tension et que sa batterie est retirée avant d'effectuer toute tâche dessus.

### Mise en place des emporte-pièces

**⚠ ATTENTION :** Installez toujours les emporte-pièces dans le bon sens et solidement fixés. Les emporte-pièces peuvent se casser s'ils sont mal ou pas assez fixés, ce qui présente un risque de blessure s'ils volent en éclat.

**REMARQUE :** Éliminez les bavures sur les emporte-pièces avec une lime, le cas échéant.

1. Vérifiez si la mâchoire des emporte-pièces est complètement ouverte. Le cas contraire, installez la batterie et enclenchez la gâchette jusqu'à ce que la mâchoire soit complètement ouverte.

**⚠ ATTENTION :** Veillez à retirer la batterie, le cas échéant.

2. Placez le levier de l'inverseur sur la position verrouillée.

► **Fig.15:** 1. Levier de l'inverseur

3. Desserrez les boulons avec la clé hexagonale fournie.

**⚠ ATTENTION :** Utilisez exclusivement la clé Makita fournie avec l'outil. Si vous utilisez une autre clé, le boulon risque d'être trop ou pas assez serré, ce qui présente un risque de blessure.

4. Placez les emporte-pièces sur les supports de montage de sorte que les deux repères de couleur soient visibles.

► **Fig.16:** 1. Boulon 2. Emporte-pièce 3. Support de montage fixe 4. Support de montage mobile 5. Repère de couleur 6. Clé hexagonale

5. Fixez solidement les emporte-pièces avec les boulons.

Les emporte-pièces sont correctement installés si les flèches marquées dessus sont dirigées l'une vers l'autre. Les dimensions des emporte-pièces sont identiques, mais leur épaisseur semble différente vue d'en haut.

► **Fig.17:** 1. Flèche 2. Emporte-pièce 3. Côté fin 4. Côté épais

## UTILISATION

**⚠ ATTENTION :** Assurez-vous que des emporte-pièces de la bonne taille sont installés sur l'outil. Vérifiez la capacité de coupe inscrite sur les emporte-pièces avant la coupe.

**⚠ ATTENTION :** Avant d'enclencher la gâchette, veillez à placer la tige filetée de sorte que son filetage s'insère dans celui des emporte-pièces. Si les filetages sont mal alignés, les emporte-pièces peuvent se casser, ce qui présente un risque de blessure s'ils volent en éclat.

**⚠ ATTENTION :** Remplacez les emporte-pièces si le tranchant est ébréché ou déformé.

Lors de la coupe, placez la tige filetée perpendiculairement au trait de coupe comme illustré sur la figure.

► **Fig.18:** 1. Trait de coupe

**NOTE :** Si vous coupez une tige filetée en métal ductile comme de l'acier inoxydable, des bavures peuvent apparaître sur l'extrémité coupée. Éliminez les bavures avec une lime, le cas échéant.

► **Fig.19:** 1. Tige filetée 2. Bavure

### Coupe de tiges filetées fixées

Lorsque vous coupez une tige filetée qui est fixée à la structure du bâtiment comme le plafond, mur, sol, etc., procédez comme indiqué ci-dessous :

► **Fig.20:** 1. Tige filetée 2. Emporte-pièce sur le support de montage fixe

1. Amenez l'outil de sorte que la tige filetée soit placée entre les emporte-pièces.

2. Pendant que la tige filetée touche le guide de la tige, insérez le filetage de la tige sur celui de l'emporte-pièce sur le support de montage fixe.

3. Maintenez enclenchée la gâchette jusqu'à ce que la coupe soit terminée et que la mâchoire des emporte-pièces se place sur la position complètement ouverte.

**REMARQUE :** Nettoyez la face avant de l'outil et la pointe de l'échelle du guide avant le fonctionnement. Ils peuvent salir la surface de contact.

### Coupe de tiges filetées détachées

Lorsque vous coupez une tige filetée détachée sur le sol ou un établi, procédez comme indiqué ci-dessous :

► **Fig.21:** 1. Tige filetée 2. Emporte-pièce sur le support de montage fixe

1. Placez la tige filetée entre les emporte-pièces.

2. Pendant que la tige filetée touche le guide de la tige, insérez le filetage de la tige sur celui de l'emporte-pièce sur le support de montage fixe.

3. Maintenez enclenchée la gâchette jusqu'à ce que la coupe soit terminée et que la mâchoire des emporte-pièces se place sur la position complètement ouverte.

Lorsque vous coupez une longue tige filetée difficile à tenir dans les mains, placez l'outil comme illustré. L'outil peut être placé à plat. Le couvercle peut également servir à soutenir l'extrémité de la tige filetée.

- **Fig.22:** 1. Couvercle (Position 1) 2. Guide de la tige (Position 1) 3. Couvercle (Position 2) 4. Guide de la tige (Position 2)

Le couvercle comporte des repères pour indiquer sa position. Selon la taille de la tige filetée, placez le couvercle dans la position illustrée dans le tableau ainsi que le guide de la tige.

Position	Taille de la tige filetée
1	W3/8, 3/8-16UNC, M10
2	W5/16, W1/4, 5/16-18UNC, 1/4-20UNC, M8, M6

## Arrêt de la coupe en cours

**⚠ATTENTION :** N'essayez jamais de forcer pour sortir l'outil de la tige filetée. Cela pourrait provoquer un démarrage intempestif, susceptible de provoquer des blessures ou d'endommager les emporte-pièces et l'outil.

Lorsque vous arrêtez la coupe en cours, placez le levier de l'inverseur sur la position inverse et enclenchez la gâchette jusqu'à ce que la tige filetée soit complètement libérée des emporte-pièces.

## ENTRETIEN

**⚠ATTENTION :** Assurez-vous toujours que l'outil est hors tension et que la batterie est retirée avant d'y effectuer tout travail d'inspection ou d'entretien.

**REMARQUE :** N'utilisez jamais d'essence, benzine, diluant, alcool ou autre produit similaire. Cela risquerait de provoquer la décoloration, la déformation ou la fissuration de l'outil.

## Remplacement des emporte-pièces

**REMARQUE :** Remplacez les deux emporte-pièces au même moment. Si vous remplacez un seul côté de l'emporte-pièce, des bavures peuvent apparaître sur la tige filetée.

Remplacez les emporte-pièces s'ils sont ébréchés, déformés ou si la coupe est émoussée. Pour le remplacement, suivez les instructions de « Mise en place des emporte-pièces ».

- **Fig.23:** 1. Ébréché 2. Déformé

Un emporte-pièce à deux tranchants, et un côté épais et un côté fin. Changez les emplacements d'installation des emporte-pièces si vous n'avez pas utilisé les autres côtés des tranchants.

- **Fig.24:** 1. Tranchant 2. Côté fin 3. Côté épais

## Transport/rangement de l'outil

**⚠ATTENTION :** Lorsque vous n'utilisez pas l'outil, fixez toujours le couvercle fourni sur la section de coupe.

Fixez le couvercle lorsque vous transportez l'outil. Lors du rangement de l'outil, retirez la batterie et l'échelle du guide de l'outil. Retirez la poussière sur les emporte-pièces et les pièces en mouvement. Puis, fixez le couvercle.

- **Fig.25:** 1. Couvercle

Pour assurer la SÉCURITÉ et la FIABILITÉ du produit, toute réparation, tout travail d'entretien ou de réglage doivent être effectués par un centre d'entretien Makita agréé, avec des pièces de rechange Makita.

## ACCESSOIRES EN OPTION

**⚠ATTENTION :** Ces accessoires ou pièces complémentaires sont recommandés pour l'utilisation avec l'outil Makita spécifié dans ce mode d'emploi. L'utilisation de tout autre accessoire ou pièce complémentaire peut comporter un risque de blessure. N'utilisez les accessoires ou pièces complémentaires qu'aux fins auxquelles ils ont été conçus.

Pour obtenir plus de détails sur ces accessoires, contactez votre centre d'entretien local Makita.

- Emporte-pièces
- Bandoulière
- Batterie et chargeur Makita d'origine

**NOTE :** Il se peut que certains éléments de la liste soient compris dans l'emballage de l'outil en tant qu'accessoires standard. Ils peuvent varier d'un pays à l'autre.



## TECHNISCHE DATEN

Modell:		DSC102
Schnittleistung	Weichstahl	W3/8, W5/16, W1/4, 3/8-16UNC, 5/16-18UNC, 1/4-20UNC, M10, M8, M6
	Edelstahl	W3/8, 5/16-18UNC, M8, M6
Gesamtlänge	199 mm	
Nennspannung	18 V Gleichstrom 14,4 V Gleichstrom	
Nettogewicht	2,8 - 3,2 kg	

- Wir behalten uns vor, Änderungen der technischen Daten im Zuge der Entwicklung und des technischen Fortschritts ohne vorherige Ankündigung vorzunehmen.
- Die technischen Daten können von Land zu Land unterschiedlich sein.
- Das Gewicht kann abhängig von dem Aufsatz (den Aufsätzen), einschließlich des Akkus, unterschiedlich sein. Die leichteste und die schwerste Kombination, gemäß dem EPTA-Verfahren 01/2014, sind in der Tabelle angegeben.

## Zutreffende Akkus und Ladegeräte

Akku	14,4-V-Gleichstrom-Modell	BL1415N / BL1430 / BL1430B / BL1440 / BL1450 / BL1460B
	18-V-Gleichstrom-Modell	BL1815N / BL1820 / BL1820B / BL1830 / BL1830B / BL1840 / BL1840B / BL1850 / BL1850B / BL1860B
Ladegerät	DC18RC / DC18RD / DC18RE / DC18SD / DC18SE / DC18SF	

- Einige der oben aufgelisteten Akkus und Ladegeräte sind je nach Ihrem Wohngebiet eventuell nicht erhältlich.

**⚠️ WARNUNG:** Verwenden Sie nur die oben aufgeführten Akkus und Ladegeräte. Bei Verwendung irgendwelcher anderer Akkus und Ladegeräte besteht Verletzungs- und/oder Brandgefahr.

## Symbole

Nachfolgend werden die für das Gerät verwendeten Symbole beschrieben. Machen Sie sich vor der Benutzung mit ihrer Bedeutung vertraut.



Betriebsanleitung lesen.



Schutzbrille tragen.



Berühren Sie die Schneidwerkzeuge nicht während des Betriebs.



Achten Sie auf eine abgeschnittene Gewindestange.



Bringen Sie Ihr Gesicht während des Betriebs nicht in die Nähe des Werkzeugs.



Nur für EU-Länder  
Werfen Sie Elektrogeräte oder Akkus nicht in den Hausmüll!

Unter Einhaltung der Europäischen Richtlinie über Elektro- und Elektronik-Altgeräte, Batterien, Akkus sowie verbrauchte Batterien und Akkus und ihre Umsetzung gemäß den Landesgesetzen müssen Elektrogeräte und Batterien bzw. Akkus, die das Ende ihrer Lebensdauer erreicht haben, getrennt gesammelt und einer umweltgerechten Recycling-Einrichtung zugeführt werden.

## Vorgesehene Verwendung

Das Werkzeug ist für das Schneiden von Gewindestangen vorgesehen.

## Geräusch

Typischer A-bewerteter Geräuschpegel ermittelt gemäß EN62841-2-8:

Schalldruckpegel ( $L_{pA}$ ): 71 dB (A)

Messunsicherheit (K): 3 dB (A)

Der Geräuschpegel kann während des Betriebs 80 dB (A) überschreiten.

**⚠️ WARNUNG:** Einen Gehörschutz tragen.

## Schwingungen

Schwingungsgesamtwert (Drei-Achsen-Vektorsumme) ermittelt gemäß EN62841-2-8:

Arbeitsmodus: Schneiden von Edelstahl-Gewindestangen (Stangengröße W3/8)

Schwingungsemission ( $a_{hv}$ ): 2,5 m/s<sup>2</sup> oder weniger  
Messunsicherheit (K): 1,5 m/s<sup>2</sup>

**HINWEIS:** Der angegebene Schwingungsemissionswert wurde im Einklang mit der Standardprüfmethode gemessen und kann für den Vergleich zwischen Werkzeugen herangezogen werden.

**HINWEIS:** Der angegebene Schwingungsemissionswert kann auch für eine Vorbewertung des Gefährdungsgrads verwendet werden.



**⚠️ WARNUNG:** Die Schwingungsemission während der tatsächlichen Benutzung des Werkzeugs kann je nach der Benutzungsweise des Werkzeugs vom angegebenen Emissionswert abweichen.

**⚠️ WARNUNG:** Identifizieren Sie Sicherheitsmaßnahmen zum Schutz des Benutzers anhand einer Schätzung des Gefährdungsgrads unter den tatsächlichen Benutzungsbedingungen (unter Berücksichtigung aller Phasen des Arbeitszyklus, wie z. B. Ausschalt- und Leerlaufzeiten des Werkzeugs zusätzlich zur Betriebszeit).

## EG-Konformitätserklärung

### Nur für europäische Länder

Die EG-Konformitätserklärung ist als Anhang A in dieser Bedienungsanleitung enthalten.

## SICHERHEITSWARNUNGEN

### Allgemeine Sicherheitswarnungen für Elektrowerkzeuge

**⚠️ WARNUNG:** Lesen Sie alle mit diesem Elektrowerkzeug gelieferten Sicherheitswarnungen, Anweisungen, Abbildungen und technischen Daten durch. Eine Missachtung der unten aufgeführten Anweisungen kann zu einem elektrischen Schlag, Brand und/oder schweren Verletzungen führen.

### Bewahren Sie alle Warnungen und Anweisungen für spätere Bezugnahme auf.

Der Ausdruck „Elektrowerkzeug“ in den Warnhinweisen bezieht sich auf Ihr mit Netzstrom (mit Kabel) oder Akku (ohne Kabel) betriebenes Elektrowerkzeug.

### Sicherheitswarnungen für Akku-Gewindestangenschneider

1. Halten Sie das Werkzeug mit festem Griff.
2. Spannen Sie das Werkstück sicher ein.
3. Halten Sie Ihr Gesicht und Ihre Hände von beweglichen Teilen fern. Während des Schneidens können Bruchstücke der Gewindestange weggeschleudert werden.
4. Tragen Sie stets Handschuhe bei der Handhabung von Gewindestangen. Kanten und Späne des Werkstücks sind scharf.
5. Legen Sie das Werkzeug nicht auf die Späne des Werkstücks. Anderenfalls kann es zu Beschädigung und Störung des Werkzeugs kommen.
6. Achten Sie stets auf sicheren Stand. Vergewissern Sie sich bei Einsatz des Werkzeugs an hochgelegenen Arbeitsplätzen, dass sich keine Personen darunter aufhalten.

7. Vermeiden Sie eine Berührung der Schneidkante oder des Werkstücks unmittelbar nach der Bearbeitung, weil die Teile dann möglicherweise noch sehr heiß sind und Hautverbrennungen verursachen können.
8. Vermeiden Sie das Schneiden von elektrischen Kabeln. Dies kann einen schweren Unfall durch elektrischen Schlag verursachen.
9. Halten Sie die Gewindestange während und nach dem Schneiden stets fest, um Herunterfallen der abgeschnittenen Gewindestange zu verhindern. Eine abgeschnittene Gewindestange kann ernsthafte Personenschäden verursachen, falls sie von einem hohen Ort herunterfällt.
10. Halten Sie einen Sicherheitsabstand zwischen Ihrem Körper und den beweglichen Teilen ein. Betreiben Sie das Werkzeug nicht, falls der Arbeitsbereich zu eng ist, um einen Sicherheitsabstand einzuhalten.
11. Lassen Sie das Werkzeug auf keinen Fall an hoch gelegenen Stellen oder an einer potentiell instabilen Fläche liegen.

### DIESE ANWEISUNGEN AUFBEWAHREN.

**⚠️ WARNUNG:** Lassen Sie sich NICHT durch Bequemlichkeit oder Vertrautheit mit dem Produkt (durch wiederholten Gebrauch erworben) von der strikten Einhaltung der Sicherheitsregeln für das vorliegende Produkt abhalten.

MISSBRAUCH oder Missachtung der Sicherheitsvorschriften in dieser Anleitung können schwere Verletzungen verursachen.

### Wichtige Sicherheitsanweisungen für Akku

1. Lesen Sie vor der Benutzung des Akkus alle Anweisungen und Warnhinweise, die an (1) Ladegerät, (2) Akku und (3) Akkuwerkzeug angebracht sind.
2. Unterlassen Sie ein Zerlegen des Akkus.
3. Falls die Betriebszeit beträchtlich kürzer geworden ist, stellen Sie den Betrieb sofort ein. Anderenfalls besteht die Gefahr von Überhitzung, möglichen Verbrennungen und sogar einer Explosion.
4. Falls Elektrolyt in Ihre Augen gelangt, waschen Sie sie mit sauberem Wasser aus, und begeben Sie sich unverzüglich in ärztliche Behandlung. Anderenfalls können Sie Ihre Sehkraft verlieren.
5. Der Akku darf nicht kurzgeschlossen werden:
  - (1) Die Kontakte dürfen nicht mit leitfähigem Material berührt werden.
  - (2) Lagern Sie den Akku nicht in einem Behälter zusammen mit anderen Metallgegenständen, wie z. B. Nägel, Münzen usw.
  - (3) Setzen Sie den Akku weder Wasser noch Regen aus.

Ein Kurzschluss des Akkus verursacht starken Stromfluss, der Überhitzung, mögliche Verbrennungen und einen Defekt zur Folge haben kann.

6. **Lagern Sie das Werkzeug und den Akku nicht an Orten, an denen die Temperatur 50 °C erreichen oder überschreiten kann.**
7. **Versuchen Sie niemals, den Akku zu verbrennen, selbst wenn er stark beschädigt oder vollkommen verbraucht ist. Der Akku kann im Feuer explodieren.**
8. **Achten Sie darauf, dass der Akku nicht fallen gelassen oder Stößen ausgesetzt wird.**
9. **Benutzen Sie keine beschädigten Akkus.**
10. **Die enthaltenen Lithium-Ionen-Akkus unterliegen den Anforderungen der Gefahrgut-Gesetzgebung.**  
Für kommerzielle Transporte, z. B. durch Dritte oder Spediteure, müssen besondere Anforderungen zu Verpackung und Etikettierung beachtet werden.  
Zur Vorbereitung des zu transportierenden Artikels ist eine Beratung durch einen Experten für Gefahrgut erforderlich. Bitte beachten Sie möglicherweise ausführlichere nationale Vorschriften. Überkleben oder verdecken Sie offene Kontakte, und verpacken Sie den Akku so, dass er sich in der Verpackung nicht umher bewegen kann.
11. **Befolgen Sie die örtlichen Bestimmungen bezüglich der Entsorgung von Akkus.**
12. **Verwenden Sie die Akkus nur mit den von Makita angegebenen Produkten.** Das Einsetzen der Akkus in nicht konforme Produkte kann zu einem Brand, übermäßiger Hitzebildung, einer Explosion oder Auslaufen von Elektrolyt führen.

**▲VORSICHT:** Verwenden Sie nur Original-Makita-Akkus. Die Verwendung von Nicht-Original-Makita-Akkus oder von Akkus, die abgeändert worden sind, kann zum Bersten des Akkus und daraus resultierenden Bränden, Personenschäden und Beschädigung führen. Außerdem wird dadurch die Makita-Garantie für das Makita-Werkzeug und -Ladegerät ungültig.

## Hinweise zur Aufrechterhaltung der maximalen Akku-Nutzungsdauer

1. **Laden Sie den Akku, bevor er vollkommen erschöpft ist. Schalten Sie das Werkzeug stets aus, und laden Sie den Akku, wenn Sie ein Nachlassen der Werkzeugeistung feststellen.**
2. **Unterlassen Sie erneutes Laden eines voll aufgeladenen Akkus. Überladen führt zu einer Verkürzung der Nutzungsdauer des Akkus.**
3. **Laden Sie den Akku bei Raumtemperatur zwischen 10 – 40 °C. Lassen Sie einen heißen Akku abkühlen, bevor Sie ihn laden.**
4. **Der Akku muss geladen werden, wenn er lange Zeit (länger als sechs Monate) nicht benutzt wird.**

## DIESE ANWEISUNGEN AUFBEWAHREN.

## BEZEICHNUNG DER TEILE

► Abb.1

1	Stationäre Halterung	2	Bewegliche Halterung	3	Schneidwerkzeug	4	Schraube
5	Aufhänger	6	Schulterriemenöse (für Sonderzubehör)	7	Inbusschlüssel	8	Lampe (innen)
9	Stirnseite	10	Auslöseschalter	11	Umkehrschalthebel	12	Stangenführung
13	Führungsstab	14	Klemmschraube	15	Abdeckung	-	-

# FUNKTIONSBESCHREIBUNG

**⚠ VORSICHT:** Vergewissern Sie sich vor der Durchführung von Einstellungen oder Funktionsprüfungen des Werkzeugs stets, dass das Werkzeug ausgeschaltet und der Akku abgenommen ist.

## Anbringen und Abnehmen des Akkus

**⚠ VORSICHT:** Schalten Sie das Werkzeug stets aus, bevor Sie den Akku anbringen oder abnehmen.

**⚠ VORSICHT:** Halten Sie das Werkzeug und den Akku beim Anbringen oder Abnehmen des Akkus sicher fest. Wenn Sie das Werkzeug und den Akku nicht sicher festhalten, können sie Ihnen aus der Hand rutschen, was zu einer Beschädigung des Werkzeugs und des Akkus und zu Körperverletzungen führen kann.

► **Abb.2:** 1. Rote Anzeige 2. Knopf 3. Akku

Ziehen Sie den Akku zum Abnehmen vom Werkzeug ab, während Sie den Knopf an der Vorderseite des Akkus verschieben.

Richten Sie zum Anbringen des Akkus dessen Führungsfeder auf die Nut im Gehäuse aus, und schieben Sie den Akku hinein. Schieben Sie ihn vollständig ein, bis er mit einem hörbaren Klicken einrastet. Falls die rote Anzeige an der Oberseite des Knopfes sichtbar ist, ist der Akku nicht vollständig verriegelt.

**⚠ VORSICHT:** Schieben Sie den Akku stets bis zum Anschlag ein, bis die rote Anzeige nicht mehr sichtbar ist. Anderenfalls kann er aus dem Werkzeug herausfallen und Sie oder umstehende Personen verletzen.

**⚠ VORSICHT:** Unterlassen Sie Gewaltanwendung beim Anbringen des Akkus. Falls der Akku nicht reibungslos hineingleitet, ist er nicht richtig ausgerichtet.

## Werkzeug/Akku-Schutzsystem

Das Werkzeug ist mit einem Werkzeug/Akku-Schutzsystem ausgestattet. Dieses System schaltet die Stromversorgung des Motors automatisch ab, um die Lebensdauer von Werkzeug und Akku zu verlängern. Das Werkzeug bleibt während des Betriebs automatisch stehen, wenn das Werkzeug oder der Akku einer der folgenden Bedingungen unterliegt. Bei manchen Bedingungen leuchten die Anzeigen auf.

### Überlastschutz

Wird das Werkzeug auf eine Weise benutzt, die eine ungewöhnlich hohe Stromaufnahme bewirkt, bleibt es ohne jegliche Anzeige automatisch stehen. Schalten Sie in dieser Situation das Werkzeug aus, und brechen Sie die Arbeit ab, die eine Überlastung des Werkzeugs verursacht hat. Schalten Sie dann das Werkzeug wieder ein, um neu zu starten.

**HINWEIS:** Der Überlastschutz wird aktiviert, wenn Sie versuchen, die folgenden Arten von Gewindestangen zu schneiden.

- Eine Gewindestange, die größer als die Größe der Schneidwerkzeuge ist.
- Eine Gewindestange, die härter als die Schnittleistung der Schneidwerkzeuge ist.

### Überhitzungsschutz

Wenn das Werkzeug überhitzt wird, bleibt es automatisch stehen, und die LED blinkt. Lassen Sie das Werkzeug abkühlen, bevor Sie es wieder einschalten.

### Überentladungsschutz

Wenn die Akkukapazität niedrig wird, schaltet sich das Werkzeug automatisch aus. Falls das Produkt trotz Betätigung der Schalter nicht funktioniert, entfernen Sie die Akkus vom Werkzeug, und laden Sie sie auf.

## Anzeigen der Akku-Restkapazität

**Nur für Akkus mit Anzeige**

► **Abb.3:** 1. Anzeigelampen 2. Prüftaste

Drücken Sie die Prüftaste am Akku, um die Akku-Restkapazität anzuzeigen. Die Anzeigelampen leuchten wenige Sekunden lang auf.

Anzeigelampen			Restkapazität
Erleuchtet	Aus	Blinkend	
■ ■ ■ ■			75 % bis 100 %
■ ■ ■ □			50% bis 75%
■ ■ □ □			25% bis 50%
■ □ □ □			0% bis 25%
◐ □ □ □			Den Akku aufladen.
■ ■ □ □			Möglicherweise liegt eine Funktionsstörung im Akku vor.
□ □ ■ ■			

**HINWEIS:** Abhängig von den Benutzungsbedingungen und der Umgebungstemperatur kann die Anzeige geringfügig von der tatsächlichen Kapazität abweichen.

## Schalterfunktion

**⚠ VORSICHT:** Vergewissern Sie sich vor dem Einsetzen des Akkus in das Werkzeug stets, dass der Ein-Aus-Schalter ordnungsgemäß funktioniert und beim Loslassen in die AUS-Stellung zurückkehrt.

Zum Starten des Schneidbetriebs betätigen Sie den Auslöseschalter fortlaufend. Das Schneidwerkzeug an der beweglichen Halterung überlappt mit dem Schneidwerkzeug an der stationären Halterung und kehrt dann zurück. Falls Sie den Auslöseschalter vor Vollendung des Schnitts loslassen, bleiben die Schneidwerkzeuge stehen.

► **Abb.4:** 1. Auslöseschalter

► **Abb.5:** 1. Stationäre Halterung 2. Schneidwerkzeug  
3. Bewegliche Halterung

**ANMERKUNG:** Lassen Sie das Werkzeug nicht unnötig im Leerlauf laufen.

## Autostopp-Funktion

Wenn Sie den Auslöseschalter fortlaufend betätigen, schließen sich die Backen der Schneidwerkzeuge einmal, bevor sie zur voll geöffneten Position zurückkehren und dann stehen bleiben. Lassen Sie den Auslöser los, und betätigen Sie ihn erneut, um die nächste Schnittsequenz zu beginnen.

## Umkehrschalthebel

**⚠️ WARNUNG:** Stellen Sie den Umkehrschalthebel stets auf die Verriegelungsposition, wenn Sie das Werkzeug nicht benutzen.

**⚠️ VORSICHT:** Stellen Sie vor dem Betrieb stets die Position des Umkehrschalthebels sicher.

**ANMERKUNG:** Bewegen Sie nicht den Umkehrschalthebel, wenn der Auslöseschalter betätigt wird. Dies kann eine Beschädigung des Werkzeugs verursachen.

Um den Schneidbetrieb zu starten, stellen Sie den Umkehrschalthebel auf die Schneidposition. Um die Schnittsequenz umzukehren, stellen Sie den Umkehrschalthebel auf die Umkehrposition. Wenn Sie den Auslöseschalter fortlaufend betätigen, öffnen sich die Backen der Schneidwerkzeuge, bevor sie an der vollständig geöffneten Position stehen bleiben. Um den Auslöseschalter zu verriegeln, stellen Sie den Umkehrschalthebel auf die Verriegelungsposition. In dieser Position kann der Auslöseschalter nicht betätigt werden.

► **Abb.6:** 1. Umkehrschalthebel 2. Schneidposition  
3. Verriegelungsposition 4. Umkehrposition

**ANMERKUNG:** Wenn sich der Umkehrschalthebel in der Umkehrposition befindet, benutzen Sie das Werkzeug nur bei Bedarf. Um eine Beschädigung des Werkzeugs zu verhindern, bleibt das Werkzeug automatisch stehen, wenn es fortlaufend in der Umkehrposition betrieben wird.

**HINWEIS:** Wenn Sie den Auslöseschalter nach dem Schneiden loslassen, während sich die Backen der Schneidwerkzeuge öffnen, und dann den Umkehrschalthebel auf die Umkehrposition stellen, schließen sich die Backen einmal, bevor sie sich öffnen, wenn Sie den Auslöseschalter erneut betätigen.

## LED-Leuchte

**⚠️ VORSICHT:** Blicken Sie nicht direkt in die Lampe oder die Lichtquelle.

Betätigen Sie den Auslöseschalter, um die Lampe einzuschalten. Die Lampe bleibt erleuchtet, solange der Auslöseschalter betätigt wird. Die Lampe erlischt ungefähr 15 Sekunden nach dem Loslassen des Auslöseschalters.

► **Abb.7:** 1. Lampe (innen)

**HINWEIS:** Wischen Sie Schmutz auf der Lampenlinse mit einem trockenen Tuch ab. Achten Sie sorgfältig darauf, dass Sie die Lampenlinse nicht verkratzen, weil sich sonst die Lichtstärke verringert.

**HINWEIS:** Bei Überhitzung des Werkzeugs blinkt die Lampe. Lassen Sie das Werkzeug in diesem Fall abkühlen.

## Führungsstab

Verwenden Sie den Führungsstab, wenn Sie Gewindestangen von gleicher Länge schneiden wollen. Führen Sie den Führungsstab in das Loch ein, wie in der Abbildung gezeigt.

► **Abb.8:** 1. Führungsstab 2. Klemmschraube

Richten Sie den Wert Ihrer gewünschten Länge auf dem Führungsstab auf die Schnittlinie aus. Ziehen Sie dann die Klemmschraube an.

► **Abb.9:** 1. Führungsstab 2. Schnittlinie  
3. Klemmschraube

**⚠️ VORSICHT:** Halten Sie nicht den Führungsstab zum Tragen oder Handhaben des Werkzeugs. Anderenfalls kann das Werkzeug herunterfallen und Personenschäden und/oder Beschädigung des Werkzeugs verursachen.

## Stangenführung

Um präzise Schnitte auszuführen, bringen Sie die Stangenführung je nach Durchmesser der zu schneidenden Gewindestange in Position.

► **Abb.10:** 1. Stangenführung (Position 1)  
2. Stangenführung (Position 2)

Es gibt zwei Stangenführungspositionen.

Position	Größe der Gewindestange
1	W3/8, 3/8-16UNC, M10
2	W5/16, W1/4, 5/16-18UNC, 1/4-20UNC, M8, M6

## Aufhänger

**⚠️ VORSICHT:** Hängen Sie das Werkzeug auf keinen Fall an einer windigen Stelle oder an einer potentiell instabilen Fläche auf.

**⚠️ VORSICHT:** Benutzen Sie den Aufhänger nicht, wenn er verformt abgenommen oder beschädigt ist.

**⚠️ VORSICHT:** Klappen Sie den Aufhänger stets ein, wenn Sie das Werkzeug nicht benutzen.

Der Aufhänger ist praktisch, um das Werkzeug vorübergehend aufzuhängen.

► **Abb.11:** 1. Aufhänger

**⚠ VORSICHT:** Hängen Sie den Aufhänger nicht in das Koppel ein. Anderenfalls kann es zu Personenschäden und/oder Beschädigung des Werkzeugs kommen, falls es herunterfällt.

► **Abb.12**

## Aufbewahrung des Inbusschlüssels

Der Inbusschlüssel kann an der in der Abbildung gezeigten Stelle aufbewahrt werden, damit er nicht verloren geht.

► **Abb.13:** 1. Inbusschlüssel

## Schulterriemen

### Sonderzubehör

Der Schulterriemen ist praktisch zum Tragen des Werkzeugs.

► **Abb.14:** 1. Schulterriemen 2. Riemenende  
3. Schnalle

**⚠ VORSICHT:** Tragen Sie den Schulterriemen immer quer über Ihrem Körper, und stellen Sie die korrekte Länge ein.

**⚠ VORSICHT:** Benutzen Sie den Schulterriemen nicht, wenn er beschädigt ist.

**⚠ VORSICHT:** Halten Sie eine ausreichende Länge zwischen der Schnalle und dem Riemenende ein, um zu verhindern, dass das Riemenende durch die Schnalle rutscht.

## MONTAGE

**⚠ VORSICHT:** Vergewissern Sie sich vor der Ausführung von Arbeiten am Werkzeug stets, dass das Werkzeug ausgeschaltet und der Akku abgenommen ist.

### Montieren der Schneidwerkzeuge

**⚠ VORSICHT:** Montieren Sie die Schneidwerkzeuge immer in der korrekten Richtung und einwandfrei gesichert. Falsche oder lockere Anbringung kann einen Bruch der Schneidwerkzeuge verursachen, was zu Personenschäden durch herausgeschleuderte Bruchstücke führen kann.

**ANMERKUNG:** Entfernen Sie eventuell vorhandene Grate mit einer Feile von den Schneidwerkzeugen.

1. Prüfen Sie, ob die Backen der Schneidwerkzeuge vollständig geöffnet sind. Ist das nicht der Fall, setzen Sie den Akku ein, und betätigen Sie den Auslöseschalter, bis die Backen vollständig geöffnet sind.

**⚠ VORSICHT:** Entfernen Sie unbedingt den Akku, wenn Sie ihn eingesetzt haben.

2. Stellen Sie den Umkehrschalthebel auf die Verriegelungsposition.

► **Abb.15:** 1. Umkehrschalthebel

3. Drehen Sie die Schrauben mit dem mitgelieferten Inbusschlüssel heraus.

**⚠ VORSICHT:** Verwenden Sie nur den mit dem Werkzeug gelieferten Makita-Schraubenschlüssel. Bei Verwendung anderer Schraubenschlüssel besteht die Gefahr von übermäßigem oder unzureichendem Anziehen, was Personenschäden verursacht.

4. Setzen Sie die Schneidwerkzeuge so in die Halterungen ein, dass die beiden Farbmarkierungen sichtbar sind.

► **Abb.16:** 1. Schraube 2. Schneidwerkzeug  
3. Stationäre Halterung 4. Bewegliche Halterung 5. Farbmarkierung  
6. Inbusschlüssel

5. Sichern Sie die Schneidwerkzeuge einwandfrei mit den Schrauben.

Die Schneidwerkzeuge sind korrekt installiert, wenn die darauf angebrachten Pfeile auf einander zeigen. Die Abmessungen der Schneidwerkzeuge sind gleich, aber ihre Dicke sieht bei Draufsicht unterschiedlich aus.

► **Abb.17:** 1. Pfeil 2. Schneidwerkzeug 3. Dünne Seite 4. Dicke Seite

## BETRIEB

**⚠ VORSICHT:** Vergewissern Sie sich, dass Schneidwerkzeuge der korrekten Größe am Werkzeug montiert sind. Überprüfen Sie vor dem Schneiden die auf den Schneidwerkzeugen aufgedruckte Schnittleistung.

**⚠ VORSICHT:** Bevor Sie den Auslöseschalter betätigen, setzen Sie die Gewindestange so ein, dass ihr Gewindegänge mit denen der Schneidwerkzeuge übereinstimmen. Falsche Ausrichtung der Gewindegänge kann zu einem Bruch der Schneidwerkzeuge führen und Personenschäden durch herausgeschleuderte Bruchstücke verursachen.

**⚠ VORSICHT:** Ersetzen Sie die Schneidwerkzeuge, falls die Schneidkanten abgesplittert oder verformt sind.

Platzieren Sie die Gewindestange beim Schneiden senkrecht zu der Schnittlinie, wie in der Abbildung gezeigt.

► **Abb.18:** 1. Schnittlinie

**HINWEIS:** Wenn Sie eine Gewindestange aus duktilem Metall, wie z. B. Edelstahl, schneiden, können Grate am Schnittende erzeugt werden. Entfernen Sie die Grate in diesem Fall mit einer Feile.

► **Abb.19:** 1. Gewindestange 2. Grat

## Schneiden von gesicherten Gewindestangen

Wenn Sie eine Gewindestange schneiden, die an der Gebäudestruktur, wie z. B. Decke, Wand, Boden usw., gesichert ist, wenden Sie das nachstehende Verfahren an:

► **Abb.20:** 1. Gewindestange 2. Schneidwerkzeug an der stationären Halterung

1. Bringen Sie das Werkzeug in eine Position, dass die Gewindestange zwischen den Schneidwerkzeugen positioniert ist.

2. Während die Gewindestange die Stangenführung berührt, passen Sie das Gewinde der Stange an dasjenige des Schneidwerkzeugs an der stationären Halterung an.

3. Halten Sie den Auslöseschalter gedrückt, bis der Schneidvorgang beendet ist und die Backen der Schneidwerkzeuge die vollständig geöffnete Position erreichen.

**ANMERKUNG:** Reinigen Sie die Stirnseite des Werkzeugs und die Spitze des Führungsstabs vor der Arbeit. Andernfalls können sie die Kontaktfläche verschmutzen.

## Schneiden von losen Gewindestangen

Wenn Sie eine lose Gewindestange auf dem Boden oder einer Werkbank schneiden, wenden Sie das nachstehende Verfahren an:

► **Abb.21:** 1. Gewindestange 2. Schneidwerkzeug an der stationären Halterung

1. Positionieren Sie eine Gewindestange zwischen die Schneidwerkzeuge.

2. Während die Gewindestange die Stangenführung berührt, passen Sie das Gewinde der Stange an dasjenige des Schneidwerkzeugs an der stationären Halterung an.

3. Halten Sie den Auslöseschalter gedrückt, bis der Schneidvorgang beendet ist und die Backen der Schneidwerkzeuge die vollständig geöffnete Position erreichen.

Wenn Sie eine lange Gewindestange schneiden, die schwer von Hand zu halten ist, platzieren Sie das Werkzeug, wie in der Abbildung dargestellt. Das Werkzeug kann flach platziert werden. Die Abdeckung kann auch zum Abstützen des Endes der Gewindestange verwendet werden.

► **Abb.22:** 1. Abdeckung (Position 1)  
2. Stangenführung (Position 1)  
3. Abdeckung (Position 2)  
4. Stangenführung (Position 2)

Die Abdeckung weist Markierungen zur Anzeige ihrer Position auf. Bringen Sie die Abdeckung je nach der Größe der Gewindestange in die Position, die in der Tabelle sowie auf der Stangenführung angegeben ist.

Position	Größe der Gewindestange
1	W3/8, 3/8-16UNC, M10
2	W5/16, W1/4, 5/16-18UNC, 1/4-20UNC, M8, M6

## Vorzeitiges Abbrechen des Schnitts

**⚠ VORSICHT:** Versuchen Sie niemals, das Werkzeug gewaltsam von der Gewindestange abzuziehen. Dadurch kann ein unerwarteter Start verursacht werden, der Personenschäden oder Beschädigung der Schneidwerkzeuge und des Werkzeugs verursachen kann.

Wenn Sie den Schnitt vorzeitig abbrechen, stellen Sie den Umkehrschalthebel auf die Umkehrposition, und betätigen Sie den Auslöseschalter, bis die Gewindestange vollständig von den Schneidwerkzeugen gelöst ist.

## WARTUNG

**⚠ VORSICHT:** Vergewissern Sie sich vor der Durchführung von Inspektions- oder Wartungsarbeiten stets, dass das Werkzeug ausgeschaltet und der Akku abgenommen ist.

**ANMERKUNG:** Verwenden Sie auf keinen Fall Benzin, Waschbenzin, Verdünnern, Alkohol oder dergleichen. Solche Mittel können Verfärbung, Verformung oder Rissbildung verursachen.

## Austauschen der Schneidwerkzeuge

**ANMERKUNG:** Tauschen Sie beide Schneidwerkzeuge gleichzeitig aus. Wird nur das Schneidwerkzeug auf einer Seite ausgetauscht, können Grate an der Gewindestange entstehen.

Tauschen Sie die Schneidwerkzeuge aus, wenn sie abgesplittert oder verformt sind, oder wenn die Schneidleistung nachlässt. Befolgen Sie zum Austauschen die Anweisungen unter „Montieren der Schneidwerkzeuge“.

► **Abb.23:** 1. Absplittierung 2. Verformung

Ein Schneidwerkzeug hat zwei Schneidkanten sowie eine dicke und eine dünne Seite. Vertauschen Sie die Montagepositionen der Schneidwerkzeuge, wenn Sie die anderen Seiten der Schneidkanten nicht benutzt haben.

► **Abb.24:** 1. Schneidkante 2. Dünne Seite 3. Dicke Seite

## Tragen/Lagern des Werkzeugs

**⚠ VORSICHT:** Wenn das Werkzeug nicht benutzt wird, bringen Sie stets die mitgelieferte Abdeckung am Schneidteil an.

Bringen Sie die Abdeckung zum Tragen des Werkzeugs an. Wenn Sie das Werkzeug lagern, entfernen Sie den Akku und den Führungsstab vom Werkzeug. Entfernen Sie Staub von den Schneidwerkzeugen und den beweglichen Teilen. Bringen Sie anschließend die Abdeckung an.

► **Abb.25:** 1. Abdeckung

Um die SICHERHEIT und ZUVERLÄSSIGKEIT dieses Produkts zu gewährleisten, sollten Reparaturen und andere Wartungs- oder Einstellarbeiten nur von Makita-Vertragswerkstätten oder Makita-Kundendienstzentren unter ausschließlicher Verwendung von Makita-Originalersatzteilen ausgeführt werden.

# SONDERZUBEHÖR

**⚠ VORSICHT:** Die folgenden Zubehörteile oder Vorrichtungen werden für den Einsatz mit dem in dieser Anleitung beschriebenen Makita-Werkzeug empfohlen. Die Verwendung anderer Zubehörteile oder Vorrichtungen kann eine Verletzungsgefahr darstellen. Verwenden Sie Zubehörteile oder Vorrichtungen nur für ihren vorgesehenen Zweck.

Wenn Sie weitere Einzelheiten bezüglich dieser Zubehörteile benötigen, wenden Sie sich bitte an Ihre Makita-Kundendienststelle.

- Schneidwerkzeuge
- Schulterriemen
- Original-Makita-Akku und -Ladegerät

**HINWEIS:** Manche Teile in der Liste können als Standardzubehör im Werkzeugsatz enthalten sein. Sie können von Land zu Land unterschiedlich sein.



## DATI TECNICI

Modello:		DSC102
Capacità di taglio	Acciaio dolce	W3/8, W5/16, W1/4, 3/8-16UNC, 5/16-18UNC, 1/4-20UNC, M10, M8, M6
	Acciaio inossidabile	W3/8, 5/16-18UNC, M8, M6
Lunghezza totale		199 mm
Tensione nominale		18 V C.C. 14,4 V C.C.
Peso netto		2,8 - 3,2 kg

- A causa del nostro programma continuativo di ricerca e sviluppo, i dati tecnici sono soggetti a modifiche senza preavviso.
- I dati tecnici possono variare da nazione a nazione.
- Il peso può variare a seconda dell'accessorio o degli accessori, inclusa la cartuccia della batteria. La combinazione più leggera e quella più pesante, secondo la procedura EPTA 01/2014, sono indicate nella tabella.

## Cartuccia della batteria e caricabatterie applicabili

Cartuccia della batteria	Modello da 14,4 V C.C.	BL1415N / BL1430 / BL1430B / BL1440 / BL1450 / BL1460B
	Modello da 18 V C.C.	BL1815N / BL1820 / BL1820B / BL1830 / BL1830B / BL1840 / BL1840B / BL1850 / BL1850B / BL1860B
Caricabatterie		DC18RC / DC18RD / DC18RE / DC18SD / DC18SE / DC18SF

- Alcune cartucce delle batterie e alcuni caricabatterie elencati sopra potrebbero non essere disponibili a seconda della propria area geografica di residenza.

**⚠AVVERTIMENTO:** Utilizzare solo le cartucce delle batterie e i caricabatterie elencati sopra. L'utilizzo di altre cartucce delle batterie e di altri caricabatterie potrebbe causare lesioni personali e/o un incendio.

## Simboli

La figura seguente mostra i simboli utilizzati per l'apparecchio. Accertarsi di comprendere il loro significato prima dell'uso.



Leggere il manuale d'uso.



Indossare occhiali di sicurezza.



Non toccare le matrici di taglio durante l'uso.



Fare attenzione alle barre filettate tagliate.



Non avvicinare il viso all'utensile durante l'uso.



Solo per le nazioni dell'EU  
Non smaltire apparecchiature elettriche o batterie insieme ai rifiuti domestici!  
In osservanza delle Direttive Europee sui rifiuti di apparecchiature elettriche ed elettroniche (RAEE), sulle batterie e gli accumulatori, nonché sulle batterie e gli accumulatori esausti, e dell'implementazione di tali direttive in conformità alle leggi locali, gli apparecchi elettrici e la/e batteria/e che hanno raggiunto la fine della loro vita utile devono essere raccolti separatamente e conferiti a una struttura di smaltimento ecocompatibile.

## Utilizzo previsto

Questo utensile è progettato per il taglio di barre filettate.

## Rumore

Livello tipico di rumore pesato A determinato in base allo standard EN62841-2-8:

Livello di pressione sonora ( $L_{pA}$ ): 71 dB (A)

Incertezza (K): 3 dB (A)

Il livello del rumore nelle condizioni di lavoro può superare gli 80 dB (A).

**⚠AVVERTIMENTO:** Indossare protezioni per le orecchie.

## Vibrazioni

Valore totale delle vibrazioni (somma vettoriale triassiale) determinato in base allo standard EN62841-2-8:  
Modalità di lavoro: taglio di barra filettata in acciaio inossidabile (dimensione barra W3/8)  
Emissione di vibrazioni ( $a_{hv}$ ): 2,5 m/s<sup>2</sup> o inferiore  
Incertezza (K): 1,5 m/s<sup>2</sup>

**NOTA:** Il valore di emissione delle vibrazioni dichiarato è stato misurato in conformità al metodo standard di verifica, e può essere utilizzato per confrontare un utensile con un altro.

**NOTA:** Il valore di emissione delle vibrazioni dichiarato può venire utilizzato anche per una valutazione preliminare dell'esposizione.



**⚠AVVERTIMENTO:** L'emissione delle vibrazioni durante l'utilizzo effettivo dell'utensile elettrico può variare rispetto al valore di emissione dichiarato, a seconda dei modi in cui viene utilizzato l'utensile.

**⚠AVVERTIMENTO:** Accertarsi di identificare le misure di sicurezza per la protezione dell'operatore basate sulla stima dell'esposizione nelle condizioni effettive di utilizzo (tenendo presente tutte le parti del ciclo operativo, ad esempio le volte in cui l'utensile viene spento e quando gira a vuoto, oltre al tempo di attivazione).

## Dichiarazione di conformità CE

### *Solo per i paesi europei*

La dichiarazione di conformità CE è inclusa nell'Allegato A al presente manuale di istruzioni.

## AVVERTENZE DI SICUREZZA

### Avvertenze generali relative alla sicurezza dell'utensile elettrico

**⚠AVVERTIMENTO:** Leggere tutte le avvertenze di sicurezza, le istruzioni, le illustrazioni e i dati tecnici forniti con il presente utensile elettrico. La mancata osservanza di tutte le istruzioni elencate di seguito potrebbe risultare in scosse elettriche, incendi e/o gravi lesioni personali.

## Conservare tutte le avvertenze e le istruzioni come riferimento futuro.

Il termine "utensile elettrico" nelle avvertenze si riferisce sia all'utensile elettrico (cablato) nel funzionamento alimentato da rete elettrica che all'utensile elettrico (a batteria) nel funzionamento alimentato a batteria.

### Avvertenze di sicurezza relative al tagliabarre filettate a batteria

1. **Mantenere saldamente l'utensile.**
2. **Fissare saldamente il pezzo in lavorazione.**
3. **Tenere il viso e le mani lontani dalle parti mobili.** Durante il taglio, il frammento della barra filettata potrebbe volare via.
4. **Indossare sempre i guanti quando si maneggiano barre filettate.** I bordi e le schegge del pezzo in lavorazione sono affilati.
5. **Non appoggiare l'utensile sulle schegge del pezzo in lavorazione.** In caso contrario, si potrebbero causare danni e problemi all'utensile.
6. **Accertarsi sempre di avere un appoggio saldo sui piedi.** Accertarsi che non sia presente alcuna persona sotto di sé quando si intende utilizzare l'utensile in ubicazioni elevate.

7. **Non toccare il tagliente o il pezzo in lavorazione subito dopo l'operazione;** la loro temperatura potrebbe essere estremamente elevata e potrebbero causare ustioni.
8. **Evitare di tagliare fili elettrici.** In caso contrario, si potrebbero causare gravi incidenti dovuti a scosse elettriche.
9. **Mantenere sempre la barra filettata durante e dopo il taglio, per evitare la caduta della barra filettata tagliata.** Una barra filettata tagliata potrebbe causare gravi lesioni personali, qualora venga fatta cadere da un'ubicazione elevata.
10. **Mantenere una distanza di sicurezza tra il proprio corpo e le parti mobili.** Non far funzionare l'utensile qualora l'area di lavoro sia troppo stretta per mantenere una distanza sicura.
11. **Non lasciare mai l'utensile in un'ubicazione elevata o su una superficie potenzialmente instabile.**

## CONSERVARE LE PRESENTI ISTRUZIONI.

**⚠AVVERTIMENTO:** NON lasciare che la comodità o la familiarità d'uso con il prodotto (acquisita con l'uso ripetuto) sostituiscano la stretta osservanza delle norme di sicurezza.

L'USO IMPROPRIO o la mancata osservanza delle norme di sicurezza riportate nel presente manuale di istruzioni potrebbero causare lesioni personali gravi.

### Istruzioni di sicurezza importanti per la cartuccia della batteria

1. **Prima di utilizzare la cartuccia della batteria, leggere tutte le istruzioni e le avvertenze riportate (1) sul caricabatteria, (2) sulla batteria e (3) sul prodotto che utilizza la batteria.**
2. **Non smontare la cartuccia della batteria.**
3. **Qualora il tempo di utilizzo si riduca eccessivamente, interrompere immediatamente l'utilizzo dell'utensile.** In caso contrario, si può incorrere nel rischio di surriscaldamento, possibili ustioni e persino un'esplosione.
4. **Qualora l'elettrolita entri in contatto con gli occhi, sciacquarli con acqua pulita e richiedere immediatamente assistenza medica.** Questa eventualità può risultare nella perdita della vista.
5. **Non cortocircuitare la cartuccia della batteria:**
  - (1) **Non toccare i terminali con alcun materiale conduttivo.**
  - (2) **Evitare di conservare la cartuccia della batteria in un contenitore insieme ad altri oggetti metallici quali chiodi, monete, e così via.**
  - (3) **Non esporre la cartuccia della batteria all'acqua o alla pioggia.**Un cortocircuito della batteria può causare un grande flusso di corrente, un surriscaldamento, possibili ustioni e persino un guasto.

6. **Non conservare l'utensile e la cartuccia della batteria in ubicazioni in cui la temperatura possa raggiungere o superare i 50°C.**
7. **Non incenerire la cartuccia della batteria anche qualora sia gravemente danneggiata o completamente esaurita. La cartuccia della batteria può esplodere se a contatto con il fuoco.**
8. **Fare attenzione a non far cadere e a non colpire la batteria.**
9. **Non utilizzare una batteria danneggiata.**
10. **Le batterie a ioni di litio contenute sono soggette ai requisiti del regolamento sul trasporto di merci pericolose (Dangerous Goods Legislation).**  
Per trasporti commerciali, ad esempio da parte di terzi o spedizionieri, è necessario osservare dei requisiti speciali sull'imballaggio e sull'etichetta. Per la preparazione dell'articolo da spedire, è richiesta la consulenza di un esperto in materiali pericolosi. Attenersi anche alle normative nazionali, che potrebbero essere più dettagliate. Nastrare o coprire i contatti aperti e imballare la batteria in modo tale che non si possa muovere liberamente all'interno dell'imballaggio.
11. **Attenersi alle normative locali relative allo smaltimento della batteria.**
12. **Utilizzare le batterie esclusivamente con i prodotti specificati da Makita.** L'installazione delle batterie in prodotti non compatibili potrebbe risultare in incendi, calore eccessivo, esplosioni o perdite di liquido elettrolitico.

**⚠ATTENZIONE:** Utilizzare solo batterie originali Makita. L'utilizzo di batterie Makita non originali, o di batterie che siano state alterate, potrebbe risultare nello scoppio della batteria, causando incendi, lesioni personali e danni. Inoltre, ciò potrebbe invalidare la garanzia Makita per l'utensile e il caricabatterie Makita.

## Suggerimenti per preservare la durata massima della batteria

1. **Caricare la cartuccia della batteria prima che si scarichi completamente. Smettere sempre di utilizzare l'utensile e caricare la cartuccia della batteria quando si nota che la potenza dell'utensile è diminuita.**
2. **Non ricaricare mai una cartuccia della batteria completamente carica. La sovraccarica riduce la vita utile della batteria.**
3. **Caricare la cartuccia della batteria a una temperatura ambiente compresa tra 10°C e 40°C. Lasciar raffreddare una cartuccia della batteria prima di caricarla.**
4. **Caricare la cartuccia della batteria se non la si è utilizzata per un periodo di tempo prolungato (più di sei mesi).**

## CONSERVARE LE PRESENTI ISTRUZIONI.

## DESCRIZIONE DELLE PARTI

► Fig.1

1	Supporto fisso	2	Supporto mobile	3	Matrice di taglio	4	Bullone
5	Gancio	6	Base della tracolla (per l'accessorio opzionale)	7	Brugola	8	Lampadina (interna)
9	Lato anteriore	10	Interruttore a grilletto	11	Leva del commutatore di inversione	12	Guida della barra
13	Scala guida	14	Vite di fissaggio	15	Copertura	-	-

## DESCRIZIONE DELLE FUNZIONI

**⚠ATTENZIONE:** Accertarsi sempre che l'utensile sia spento e che la cartuccia della batteria sia stata rimossa prima di regolare o di controllare il funzionamento dell'utensile.

### Installazione o rimozione della cartuccia della batteria

**⚠ATTENZIONE:** Spegnerne sempre l'utensile prima di installare o rimuovere la cartuccia della batteria.

**⚠ATTENZIONE:** Mantenere saldamente lo strumento e la batteria quando si intende installare o rimuovere la cartuccia della batteria. Qualora non si mantengano saldamente lo strumento e la cartuccia della batteria, questi ultimi potrebbero scivolare dalle mani, con la possibilità di causare un danneggiamento dello strumento e della cartuccia della batteria, nonché una lesione personale.

► **Fig.2:** 1. Indicatore rosso 2. Pulsante 3. Cartuccia della batteria

Per rimuovere la cartuccia della batteria, farla scorrere via dall'utensile mentre si fa scorrere allo stesso tempo il pulsante sulla parte anteriore della cartuccia.

Per installare la cartuccia della batteria, allineare l'appendice della batteria con la scanalatura nell'alloggiamento e farla scivolare in sede. Inserirla completamente fino al suo blocco in sede con un leggero scatto. Se è possibile vedere l'indicatore rosso sul lato superiore del pulsante, la batteria non è bloccata completamente.

**⚠ATTENZIONE:** Installare sempre fino in fondo la cartuccia della batteria, fino a quando l'indicatore rosso non è più visibile. In caso contrario, la batteria potrebbe cadere accidentalmente dall'utensile, causando lesioni personali all'operatore o a chi gli è vicino.

**⚠ATTENZIONE:** Non installare forzatamente la cartuccia della batteria. Qualora la batteria non si inserisca scorrendo agevolmente, vuol dire che non viene inserita correttamente.

### Sistema di protezione strumento/batteria

Lo strumento è dotato di un sistema di protezione strumento/batteria. Questo sistema interrompe automaticamente l'alimentazione al motore, per prolungare la vita utile dello strumento e della batteria. L'utensile si arresta automaticamente durante il funzionamento, qualora l'utensile stesso o la batteria vengano a trovarsi in una delle condizioni seguenti: In alcune condizioni, gli indicatori si illuminano.

### Protezione dal sovraccarico

Quando l'utensile viene utilizzato in un modo che causa un assorbimento di corrente elevato in modo anomalo, lo strumento si arresta automaticamente senza alcuna indicazione. In questa situazione, spegnere l'utensile e interrompere l'applicazione che ne ha causato il sovraccarico. Quindi, accendere l'utensile per ricominciare.

**NOTA:** La protezione dal sovraccarico si attiva quando si prova a tagliare i tipi seguenti di barre filettate.

- Una barra filettata che sia più larga della dimensione delle matrici di taglio.
- Una barra filettata che sia più dura della capacità di taglio delle matrici di taglio.

### Protezione dal surriscaldamento

Quando l'utensile è sovraccarico, si arresta automaticamente e l'indicatore luminoso a LED lampeggia. Lasciar raffreddare l'utensile prima di riaccenderlo.

### Protezione dalla sovrascarica

Quando la carica della batteria diventa bassa, l'utensile si arresta automaticamente. Qualora il prodotto non funzioni anche quando si attivano gli interruttori, rimuovere le batterie dall'utensile e ricaricarle.

### Indicazione della carica residua della batteria

**Solo per cartucce delle batterie dotate di indicatore**

► **Fig.3:** 1. Indicatori luminosi 2. Pulsante di controllo

Premere il pulsante di controllo sulla cartuccia della batteria per indicare la carica residua della batteria. Gli indicatori luminosi si illuminano per alcuni secondi.

Indicatori luminosi			Carica residua
■ Illuminato	□ Spento	◐ Lampeggiante	
■ ■ ■ ■			Dal 75% al 100%
■ ■ ■ □			Dal 50% al 75%
■ ■ □ □			Dal 25% al 50%
■ □ □ □			Dallo 0% al 25%
◐ □ □ □			Caricare la batteria.
■ ■ □ □			La batteria potrebbe essersi guastata.
□ □ ■ ■			

**NOTA:** A seconda delle condizioni d'uso e della temperatura ambiente, l'indicazione potrebbe variare leggermente rispetto alla carica effettiva.

## Funzionamento dell'interruttore

**⚠ATTENZIONE:** Prima di inserire la cartuccia della batteria nell'utensile, controllare sempre che l'interruttore a grilletto funzioni correttamente e torni sulla posizione "OFF" quando viene rilasciato.

Per iniziare l'operazione di taglio, tenere premuto l'interruttore a grilletto. La matrice di taglio sul supporto mobile si sovrappone alla matrice sul supporto fisso, quindi torna al suo posto. Se si rilascia l'interruttore a grilletto prima di aver completato il taglio, le matrici di taglio si arrestano.

► **Fig.4:** 1. Interruttore a grilletto

► **Fig.5:** 1. Supporto fisso 2. Matrice di taglio  
3. Supporto mobile

**AVVISO:** Non far funzionare inutilmente l'utensile a vuoto.

## Funzione di arresto automatico

Quando si continua a tenere premuto l'interruttore a grilletto, la ganaschia delle matrici si chiude una volta e ritorna alla posizione completamente aperta, quindi si arresta. Rilasciare il grilletto, quindi premerlo di nuovo per iniziare la sequenza di taglio successiva.

## Leva del commutatore di inversione

**⚠AVVERTIMENTO:** Quando non si intende utilizzare l'utensile, impostare sempre la leva del commutatore di inversione sulla posizione di blocco.

**⚠ATTENZIONE:** Verificare sempre la posizione della leva del commutatore di inversione, prima dell'uso.

**AVVISO:** Non spostare la leva del commutatore di inversione quando si sta tenendo premuto l'interruttore a grilletto. In caso contrario, si potrebbe causare un danneggiamento dell'utensile.

Per avviare l'operazione di taglio, impostare la leva del commutatore di inversione sulla posizione di taglio. Per invertire la sequenza di taglio, impostare la leva del commutatore di inversione sulla posizione di inversione. Quando si continua a tenere premuto l'interruttore a grilletto, la ganaschia delle matrici di taglio si apre e si arresta nella posizione completamente aperta. Per bloccare l'interruttore a grilletto, impostare la leva del commutatore di inversione sulla posizione di blocco. In questa posizione, non è possibile premere l'interruttore a grilletto.

► **Fig.6:** 1. Leva del commutatore di inversione  
2. Posizione di taglio 3. Posizione di blocco  
4. Posizione di inversione

**AVVISO:** Quando la leva del commutatore di inversione è nella posizione di inversione, far funzionare l'utensile solo quando è necessario. Per evitare il danneggiamento dell'utensile, quest'ultimo si arresta automaticamente quando viene fatto funzionare in modo continuativo nella posizione di inversione.

**NOTA:** Dopo il taglio, se si rilascia l'interruttore a grilletto mentre la ganaschia delle matrici di taglio si sta aprendo, e quindi si imposta la leva del commutatore di inversione sulla posizione di inversione, la ganaschia si chiude una volta e quindi si apre quando si preme di nuovo l'interruttore a grilletto.

## Lampada a LED

**⚠ATTENZIONE:** Non osservare né guardare direttamente la fonte di luce.

Per far illuminare la lampadina, premere l'interruttore a grilletto. La lampadina resta illuminata mentre l'interruttore a grilletto viene tenuto premuto. La lampadina si spegne circa 15 secondi dopo il rilascio dell'interruttore a grilletto.

► **Fig.7:** 1. Lampadina (interna)

**NOTA:** Per pulire la sporcizia dalla lente della lampadina, utilizzare un panno asciutto. Fare attenzione a non graffiare la lente della lampadina, altrimenti si potrebbe ridurre l'illuminazione.

**NOTA:** Quando l'utensile è sovraccarico, la lampadina lampeggia. In questo caso, lasciar raffreddare l'utensile.

## Scala guida

Utilizzare la scala guida se si desidera tagliare barre filettate alla stessa lunghezza. Inserire la scala guida nel foro come indicato nella figura.

► **Fig.8:** 1. Scala guida 2. Vite di fissaggio

Allineare il valore della lunghezza desiderata sulla scala guida con la linea di taglio. Quindi, serrare la vite di fissaggio.

► **Fig.9:** 1. Scala guida 2. Linea di taglio 3. Vite di fissaggio

**⚠ATTENZIONE:** Non afferrare la scala guida per trasportare o maneggiare l'utensile. In caso contrario, l'utensile potrebbe cadere e causare lesioni personali e/o danni all'utensile stesso.

## Guida della barra

Per un taglio di precisione, impostare la guida della barra in posizione a seconda del diametro della barra filettata da tagliare.

► **Fig.10:** 1. Guida della barra (posizione 1) 2. Guida della barra (posizione 2)

Sono disponibili due posizioni della guida della barra.

Posizione	Dimensioni della barra filettata
1	W3/8, 3/8-16UNC, M10
2	W5/16, W1/4, 5/16-18UNC, 1/4-20UNC, M8, M6

## Gancio

**⚠ATTENZIONE:** Non agganciare mai l'utensile in un'ubicazione ventosa o su una superficie potenzialmente instabile.

**⚠ATTENZIONE:** Non utilizzare il gancio qualora sia deformato o danneggiato.

**⚠ATTENZIONE:** Quando non si intende utilizzare l'utensile, ripiegare sempre il gancio.

Il gancio è comodo per appendere temporaneamente l'utensile.

► Fig.11: 1. Gancio

**⚠ATTENZIONE:** Non appendere l'utensile alla cintola. In caso contrario, si potrebbero causare lesioni personali e/o danni all'utensile, qualora quest'ultimo cada.

► Fig.12

## Conservazione della chiave esagonale

Quando non si utilizza la chiave esagonale, riporla come mostrato nella figura per evitare di perderla.

► Fig.13: 1. Chiave esagonale

## Tracolla

### Accessorio opzionale

La tracolla è utile per trasportare l'utensile.

► Fig.14: 1. Tracolla 2. Estremità della cinghia 3. Fibbia

**⚠ATTENZIONE:** Indossare sempre la tracolla trasversalmente sul proprio corpo e regolata alla lunghezza corretta.

**⚠ATTENZIONE:** Qualora la tracolla sia danneggiata, non utilizzarla.

**⚠ATTENZIONE:** Lasciare una lunghezza sufficiente tra la fibbia e l'estremità della cinghia, per evitare che l'estremità della cinghia scivoli attraverso la fibbia.

## MONTAGGIO

**⚠ATTENZIONE:** Accertarsi sempre che l'utensile sia spento e che la cartuccia della batteria sia stata rimossa, prima di effettuare qualsiasi intervento sull'utensile.

### Installazione delle matrici di taglio

**⚠ATTENZIONE:** Installare sempre le matrici di taglio orientate correttamente e fissate saldamente. Un montaggio errato o allentato potrebbe causare la rottura delle matrici di taglio, risultando in lesioni personali dovute a frammenti volati via.

**AVVISO:** Rimuovere l'eventuale sbavatura sulle matrici di taglio utilizzando una lima.

1. Controllare se la ganascia delle matrici di taglio sia completamente aperta. Qualora non lo sia, installare la batteria e premere l'interruttore a grilletto fino a quando la ganascia è completamente aperta.

**⚠ATTENZIONE:** Accertarsi di rimuovere la cartuccia della batteria, se la si è installata.

2. Impostare la leva del commutatore di inversione sulla posizione di blocco.

► Fig.15: 1. Leva del commutatore di inversione

3. Svitare i bulloni con la brugola in dotazione.

**⚠ATTENZIONE:** Utilizzare esclusivamente la chiave Makita fornita con l'utensile. L'utilizzo di altre chiavi potrebbe risultare in un serraggio eccessivo o insufficiente, che causa lesioni personali.

4. Disporre le matrici di taglio sui supporti, in modo che sia possibile vedere le due marcature colorate.

► Fig.16: 1. Bullone 2. Matrice di taglio 3. Supporto fisso 4. Supporto mobile 5. Marcatura colorata 6. Brugola

5. Fissare saldamente le matrici di taglio con i bulloni.

Le matrici di taglio sono installate correttamente se le frecce riportate su di esse puntano l'una verso l'altra. Le dimensioni delle matrici di taglio sono identiche, ma il loro spessore ha un aspetto diverso, se visto dall'alto.

► Fig.17: 1. Freccia 2. Matrice di taglio 3. Lato sottile 4. Lato spesso

## FUNZIONAMENTO

**⚠ATTENZIONE:** Accertarsi che nell'utensile siano installate matrici di taglio di dimensioni corrette. Controllare la capacità di taglio scritta sulle matrici di taglio, prima di effettuare il taglio.

**⚠ATTENZIONE:** Prima di premere l'interruttore a grilletto, accertarsi di disporre la barra filettata in modo che la sua filettatura si inserisca in quelle delle matrici di taglio. Un allineamento errato delle filettature potrebbe causare la rottura delle matrici di taglio e lesioni personali dovute a frammenti volati via.

**⚠ATTENZIONE:** Sostituire le matrici di taglio, qualora il tagliente sia scheggiato o deformato.

Durante il taglio, posizionare la barra filettata perpendicolarmente alla linea di taglio, come indicato nella figura.

► Fig.18: 1. Linea di taglio

**NOTA:** Quando si taglia una barra filettata di metallo duttile, ad esempio acciaio inossidabile, si potrebbero formare delle sbavature all'estremità tagliata. In questo caso, rimuovere le sbavature con una lima.

► Fig.19: 1. Barra filettata 2. Sbvatura

## Taglio di barre filettate fissate

Quando si intende tagliare una barra filettata fissata alla struttura di un edificio, ad esempio al soffitto, a una parete, a un pavimento, e così via, attenersi alla procedura seguente:

► **Fig.20:** 1. Barra filettata 2. Matrice di taglio sul supporto fisso

1. Disporre l'utensile in modo che la barra filettata sia posizionata tra le matrici di taglio.
2. Mentre la barra filettata è in contatto con la guida della barra, inserire la filettatura della barra in quella della matrice di taglio sul supporto fisso.
3. Tenere premuto l'interruttore a grilletto fino a quando il taglio è completato e la ganaschia delle matrici di taglio arriva alla posizione completamente aperta.

**AVVISO:** Pulire il lato anteriore dell'utensile e la punta della scala guida, prima dell'uso. Potrebbero sporcare la superficie di contatto.

## Taglio di barre filettate libere

Quando si intende tagliare una barra filettata libera su un pavimento o un tavolo da lavoro, attenersi alla procedura seguente:

► **Fig.21:** 1. Barra filettata 2. Matrice di taglio sul supporto fisso

1. Posizionare una barra filettata tra le matrici di taglio.
2. Mentre la barra filettata è in contatto con la guida della barra, inserire la filettatura della barra in quella della matrice di taglio sul supporto fisso.
3. Tenere premuto l'interruttore a grilletto fino a quando il taglio è completato e la ganaschia delle matrici di taglio arriva alla posizione completamente aperta.

Quando si intende tagliare una barra filettata lunga che sia difficile da tenere in mano, posizionare l'utensile come illustrato nella figura. È possibile appoggiare l'utensile di piatto. È anche possibile utilizzare la copertura per supportare l'estremità della barra filettata.

► **Fig.22:** 1. Copertura (posizione 1) 2. Guida della barra (posizione 1) 3. Copertura (posizione 2) 4. Guida della barra (posizione 2)

La copertura reca delle marcature per indicarne la posizione. A seconda delle dimensioni della barra filettata, disporre la copertura e la guida della barra nella posizione indicata nella tabella.

Posizione	Dimensioni della barra filettata
1	W3/8, 3/8-16UNC, M10
2	W5/16, W1/4, 5/16-18UNC, 1/4-20UNC, M8, M6

## Interruzione del taglio a metà

**ATTENZIONE:** Non tentare mai di estrarre forzatamente l'utensile dalla barra filettata. In caso contrario, si potrebbe causare un avvio imprevisto, che potrebbe causare lesioni personali o il danneggiamento delle matrici di taglio e dell'utensile.

Quando si interrompe il taglio a metà, impostare la leva del commutatore di inversione sulla posizione di inversione e premere l'interruttore a grilletto fino a quando la barra filettata viene rilasciata completamente dalle matrici di taglio.

## MANUTENZIONE

**ATTENZIONE:** Accertarsi sempre che l'utensile sia spento e che la cartuccia della batteria sia stata rimossa prima di tentare di eseguire interventi di ispezione o manutenzione.

**AVVISO:** Non utilizzare mai benzina, benzene, solventi, alcol o altre sostanze simili. In caso contrario, si potrebbero causare scolorimenti, deformazioni o crepe.

## Sostituzione delle matrici di taglio

**AVVISO:** Sostituire entrambe le matrici di taglio contemporaneamente. La sostituzione della matrice di taglio da un solo lato potrebbe creare una sbavatura sulla barra filettata.

Sostituire le matrici di taglio quando sono scheggiate, deformate o il taglio risulta smussato. Per sostituirle, attenersi alle istruzioni in "Installazione delle matrici di taglio".

► **Fig.23:** 1. Scheggiatura 2. Deformazione

Una matrice di taglio presenta due taglienti, un lato spesso e un lato sottile. Invertire le posizioni di installazione delle matrici di taglio, se non sono stati utilizzati gli altri lati dei taglienti.

► **Fig.24:** 1. Tagliente 2. Lato sottile 3. Lato spesso

## Trasporto/conservazione dell'utensile

**ATTENZIONE:** Quando l'utensile non viene utilizzato, applicare sempre la copertura in dotazione sulla parte di taglio.

Applicare la copertura quando si intende trasportare l'utensile.

Quando si intende riporre l'utensile, rimuovere la cartuccia della batteria e la scala guida dall'utensile. Pulire la polvere sulle matrici di taglio e sulla parte mobile. Dopodiché, applicare la copertura.

► **Fig.25:** 1. Copertura

Per preservare la SICUREZZA e l'AFFIDABILITÀ del prodotto, le riparazioni e qualsiasi altro intervento di manutenzione e di regolazione devono essere eseguiti da un centro di assistenza autorizzato Makita, utilizzando sempre ricambi Makita.

## ACCESSORI OPZIONALI

**⚠ATTENZIONE:** Questi accessori o componenti aggiuntivi sono consigliati per l'uso con l'utensile Makita specificato nel presente manuale.

L'impiego di altri accessori o componenti aggiuntivi può costituire un rischio di lesioni alle persone.

Utilizzare gli accessori o i componenti aggiuntivi solo per il loro scopo prefissato.

Per ottenere ulteriori dettagli relativamente a questi accessori, rivolgersi a un centro di assistenza Makita.

- Matrici di taglio
- Tracolla
- Batteria e caricabatterie originali Makita

**NOTA:** Alcuni articoli nell'elenco potrebbero essere inclusi nell'imballaggio dell'utensile come accessori standard. Tali articoli potrebbero variare da nazione a nazione.

## TECHNISCHE GEGEVENS

Model:		DSC102
Snijcapaciteit	Zacht staal	W3/8, W5/16, W1/4, 3/8-16UNC, 5/16-18UNC, 1/4-20UNC, M10, M8, M6
	Roestvrij staal	W3/8, 5/16-18UNC, M8, M6
Totale lengte		199 mm
Nominale spanning		18 V gelijkstroom 14,4 V gelijkstroom
Netto gewicht		2,8 - 3,2 kg

- In verband met ononderbroken research en ontwikkeling, behouden wij ons het recht voor de bovenstaande technische gegevens zonder voorafgaande kennisgeving te wijzigen.
- De technische gegevens kunnen van land tot land verschillen.
- Het gewicht kan verschillen afhankelijk van de hulpstukken, waaronder de accu. De lichtste en zwaarste combinatie, overeenkomstig de EPTA-procedure 01/2014, worden getoond in de tabel.

### Toepasselijke accu's en laders






Accu	Model 14,4 V gelijkstroom	BL1415N / BL1430 / BL1430B / BL1440 / BL1450 / BL1460B
	Model 18 V gelijkstroom	BL1815N / BL1820 / BL1820B / BL1830 / BL1830B / BL1840 / BL1840B / BL1850 / BL1850B / BL1860B
Lader		DC18RC / DC18RD / DC18RE / DC18SD / DC18SE / DC18SF

- Sommige van de hierboven vermelde accu's en laders zijn mogelijk niet leverbaar afhankelijk van waar u woont.

**⚠ WAARSCHUWING:** Gebruik uitsluitend de accu's en laders die hierboven worden genoemd. Gebruik van enige andere accu of lader kan leiden tot letsel en/of brand.

### Symbolen

Hieronder staan de symbolen die voor het gereedschap worden gebruikt. Zorg ervoor dat u weet wat ze betekenen alvorens het gereedschap te gebruiken.

	Lees de gebruiksaanwijzing.
	Draag een veiligheidsbril.
	
	Raak tijdens gebruik de snijmatrijzen niet aan.
	Wees voorzichtig met een afgesneden draadstang.
	Breng tijdens gebruik uw gezicht niet dicht bij het gereedschap.



Alleen voor EU-landen  
Geef elektrisch gereedschap en accu's niet met het huisvuil mee!  
Volgens de Europese richtlijn inzake oude elektrische en elektronische apparaten, en inzake batterijen en accu's en oude batterijen en accu's, en de toepassing daarvan binnen de nationale wetgeving, dienen elektrisch gereedschap, accu's en batterijen die het einde van hun levensduur hebben bereikt, gescheiden te worden ingezameld en te worden afgevoerd naar een recyclebedrijf dat voldoet aan de geldende milieueisen.

### Gebruiksdoeleinden

Het gereedschap is bedoeld voor het snijden van draadstangen.

### Geluidsniveau

De typische, A-gewogen geluidsniveaus zijn gemeten volgens EN62841-2-8:  
Geluidsdrukniveau ( $L_{pA}$ ): 71 dB (A)  
Onzekerheid (K): 3 dB (A)

Het geluidsniveau kan tijdens gebruik hoger worden dan 80 dB (A).

**⚠ WAARSCHUWING:** Draag gehoorbescherming.



## Trilling

De totale trillingswaarde (triaxiale vectorsom) zoals vastgesteld volgens EN62841-2-8:  
Gebruikstoepassing: snijden van roestvrijstalen draadstang (stangdikte W3/8)  
Trillingsemisatie ( $a_h$ ): 2,5 m/s<sup>2</sup> of lager  
Onzekerheid (K): 1,5 m/s<sup>2</sup>

**OPMERKING:** De opgegeven trillingsemisatiewaarde is gemeten volgens de standaardtestmethode en kan worden gebruikt om dit gereedschap te vergelijken met andere gereedschappen.

**OPMERKING:** De opgegeven trillingsemisatiewaarde kan ook worden gebruikt voor een beoordeling vooraf van de blootstelling.

**⚠️ WAARSCHUWING:** De trillingsemisatie tijdens het gebruik van het elektrisch gereedschap in de praktijk kan verschillen van de opgegeven trillingsemisatiewaarde afhankelijk van de manier waarop het gereedschap wordt gebruikt.

**⚠️ WAARSCHUWING:** Zorg ervoor dat veiligheidsmaatregelen worden getroffen ter bescherming van de operator die zijn gebaseerd op een schatting van de blootstelling onder praktijkomstandigheden (rekening houdend met alle fasen van de bedrijfscyclus, zoals de tijdsduur gedurende welke het gereedschap is uitgeschakeld en stationair draait, naast de ingeschakelde tijdsduur).

## EG-verklaring van conformiteit

### *Alleen voor Europese landen*

De EG-verklaring van conformiteit is bijgevoegd als Bijlage A bij deze gebruiksaanwijzing.

## VEILIGHEIDSWAARSCHUWINGEN

### Algemene veiligheidswaarschuwingen voor elektrisch gereedschap

**⚠️ WAARSCHUWING:** Lees alle veiligheidswaarschuwingen, aanwijzingen, afbeeldingen en technische gegevens behorend bij dit elektrische gereedschap aandachtig door. Als u niet alle onderstaande aanwijzingen naleeft, kan dat resulteren in brand, elektrische schokken en/of ernstig letsel.

### Bewaar alle waarschuwingen en instructies om in de toekomst te kunnen raadplegen.

De term "elektrisch gereedschap" in de veiligheidsvoorschriften duidt op gereedschappen die op stroom van het lichtnet werken (met snoer) of gereedschappen met een accu (snoerloos).

## Veiligheidswaarschuwingen voor een accudraadstangsnijder

1. **Houd het gereedschap stevig vast.**
2. **Zet uw werkstuk stevig vast.**
3. **Kom met uw gezicht en handen niet dicht bij bewegende onderdelen.** Tijdens het snijden kunnen fragmenten van de draadstang in het rond vliegen.
4. **Draag altijd handschoenen wanneer u draadstangen hanteert.** De randen en afgebroken stukjes van het werkstuk zijn scherp.
5. **Plaats het gereedschap niet op de afgebroken stukjes van het werkstuk.** Hierdoor kunnen beschadigingen en storingen van het gereedschap worden veroorzaakt.
6. **Zorg ook altijd dat u stevig op een solide bodem staat.** Let bij het werken op hoge plaatsen op dat er zich niemand recht onder u bevindt.
7. **Raak de snijrand en het werkstuk niet onmiddellijk na het werk aan want deze kunnen bijzonder heet zijn en brandwonden op uw huid veroorzaken.**
8. **Voorkom dat u elektrische bedrading doorsnijdt.** Door de elektrische schok kunnen ernstige ongevallen worden veroorzaakt.
9. **Houd de draadstang altijd vast tijdens en na het snijden om te voorkomen dat het afgesneden deel valt.** Een afgesneden draadstang kan ernstig persoonlijk letsel veroorzaken wanneer dit vanaf een hoge locatie omlaag valt.
10. **Houd een veilige afstand aan tussen uw lichaam en de bewegende delen.** Bedien het gereedschap niet als de werkplek te krap is om een veilige afstand aan te houden.
11. **Laat het gereedschap nooit achter op een hoge plaats of op een mogelijk instabiele ondergrond.**

## BEWAAR DEZE VOORSCHRIFTEN.

**⚠️ WAARSCHUWING:** Laat u NIET misleiden door een vals gevoel van comfort en bekendheid met het gereedschap (na veelvuldig gebruik) en neem alle veiligheidsvoorschriften van het betreffende gereedschap altijd strikt in acht.

**VERKEERD GEBRUIK** of het niet naleven van de veiligheidsvoorschriften in deze gebruiksaanwijzing kan leiden tot ernstige verwondingen.

## Belangrijke veiligheidsinstructies voor een accu

1. Lees alle voorschriften en waarschuwingen op (1) de acculader, (2) de accu, en (3) het product waarvoor de accu wordt gebruikt, alvorens de accu in gebruik te nemen.
2. **Neem de accu niet uit elkaar.**
3. **Als de gebruikstijd van een opgeladen accu aanzienlijk korter is geworden, moet u het gebruik ervan onmiddellijk stopzetten.** Voortgezet gebruik kan oververhitting, brandwonden en zelfs een ontploffing veroorzaken.

4. Als elektrolyt in uw ogen is terechtgekomen, spoelt u uw ogen met schoon water en roept u onmiddellijk de hulp van een dokter in. Elektrolyt in de ogen kan blindheid veroorzaken.
5. **Voorkom kortsluiting van de accu:**
  - (1) Raak de accuklemmen nooit aan met een geleidend materiaal.
  - (2) Bewaar de accu niet in een bak waarin andere metalen voorwerpen zoals spijkers, munten e.d. worden bewaard.
  - (3) Stel de accu niet bloot aan water of regen. Kortsluiting van de accu kan oorzaak zijn van een grote stroomafgifte, oververhitting, brandwonden, en zelfs defecten.
6. Bewaar het gereedschap en de accu niet op plaatsen waar de temperatuur kan oplopen tot 50°C of hoger.
7. Werp de accu nooit in het vuur, ook niet wanneer hij zwaar beschadigd of volledig versleten is. De accu kan ontploffen in het vuur.
8. Wees voorzichtig dat u de accu niet laat vallen en hem niet blootstelt aan schokken of stoten.
9. Gebruik nooit een beschadigde accu.
10. De bijgeleverde lithium-ionbatterijen zijn onderhevig aan de vereisten in de wetgeving omtrent gevaarlijke stoffen.

Voor commercieel transport en dergelijke doorden en transporteurs moeten speciale vereisten ten aanzien van verpakking en etikettering worden nageleefd.

Als voorbereiding van het artikel dat wordt getransporteerd is het noodzakelijk een expert op het gebied van gevaarlijke stoffen te raadplegen. Houd u tevens aan mogelijk strengere nationale regelgeving.

Blootliggende contactpunten moeten worden afgedekt met tape en de accu moet zodanig worden verpakt dat deze niet kan bewegen in de verpakking.

11. Volg bij het weggooien van de accu de plaatselijke voorschriften.
12. Gebruik de accu's uitsluitend met de gereedschappen die door Makita zijn aanbevolen. Als de accu's worden aangebracht in niet-compatibele gereedschappen, kan dat leiden tot brand, buitensporige warmteontwikkeling, een explosie of lekkage van elektrolyt.

## BEWAAR DEZE INSTRUCTIES.

**⚠ LET OP:** Gebruik uitsluitend originele Makita accu's. Het gebruik van niet-originele accu's, of accu's die zijn gewijzigd, kan ertoe leiden dat de accu ontploft en brand, persoonlijk letsel en schade veroorzaakt. Ook vervalt daarmee de garantie van Makita op het gereedschap en de lader van Makita.

## Tips voor een maximale levensduur van de accu

1. Laad de accu voor voordat hij volledig ontladen is. Stop het gebruik van het gereedschap en laad de accu op telkens wanneer u vaststelt dat het vermogen van het gereedschap is afgenomen.
2. Laad een volledig opgeladen accu nooit opnieuw op. Te lang opladen verkort de levensduur van de accu.
3. Laad de accu op bij een omgevingstemperatuur tussen 10°C en 40°C. Laat een warme accu afkoelen alvorens hem op te laden.
4. Laad de accu op als u deze gedurende een lange tijd (meer dan zes maanden) niet gaat gebruiken.

## BESCHRIJVING VAN DE ONDERDELEN

► Fig.1

1	Stationair bevestigingspunt	2	Beweegbaar bevestigingspunt	3	Snijmatrijs	4	Bout
5	Haak	6	Bevestigingsoog voor schouderriem (voor optioneel accessoire)	7	Inbussleutel	8	Lamp (binnenin)
9	Vooroppervlak	10	Trekkerschakelaar	11	Omkeerschakelaar	12	Stanggeleider
13	Lengteschaal	14	Klemschroef	15	Afdekking	-	-

## BESCHRIJVING VAN DE FUNCTIES

**⚠ LET OP:** Zorg altijd dat het gereedschap is uitgeschakeld en de accu ervan is verwijderd alvorens de functies op het gereedschap af te stellen of te controleren.

### De accu aanbrengen en verwijderen

**⚠ LET OP:** Schakel het gereedschap altijd uit voordat u de accu aanbrengt of verwijdert.

**⚠ LET OP:** Houd het gereedschap en de accu stevig vast tijdens het aanbrengen of verwijderen van de accu. Als u het gereedschap en de accu niet stevig vasthoudt, kunnen deze uit uw handen glippen en het gereedschap of de accu beschadigen, of kan persoonlijk letsel worden veroorzaakt.

► Fig.2: 1. Rood deel 2. Knop 3. Accu

Om de accu te verwijderen verschuift u de knop aan de voorkant van de accu en schuift u tegelijkertijd de accu uit het gereedschap.

Om de accu aan te brengen lijnt u de lip op de accu uit met de groef in de behuizing en duwt u de accu op zijn plaats. Steek de accu zo ver mogelijk in het gereedschap tot u een klinkgeluid hoort. Als u het rode deel aan de bovenkant van de knop kunt zien, is de accu niet goed aangebracht.

**⚠ LET OP:** Breng de accu altijd helemaal aan totdat het rode deel niet meer zichtbaar is. Als u dit niet doet, kan de accu per ongeluk uit het gereedschap vallen en u of anderen in uw omgeving verwonden.

**⚠ LET OP:** Breng de accu niet met kracht aan. Als de accu niet gemakkelijk in het gereedschap kan worden geschoven, wordt deze niet goed aangebracht.

### Gereedschap-/accubeveiligingssysteem

Het gereedschap is uitgerust met een gereedschap-/accubeveiligingssysteem. Dit systeem kan automatisch de stroomtoevoer naar de motor afsluiten om de levensduur van het gereedschap en de accu te verlengen. Het gereedschap zal tijdens gebruik automatisch stoppen wanneer het gereedschap of de accu zich in een van de volgende omstandigheden bevindt: Onder bepaalde omstandigheden gaan de indicatorlampjes branden.

### Overbelastingsbeveiliging

Wanneer het gereedschap wordt gebruikt op een manier die een abnormaal hoge stroomsterkte vergt, stopt het gereedschap automatisch zonder dat een indicatorlampje gaat branden. Schakel in dat geval het gereedschap uit en stop het gebruik dat ertoe leidde dat het gereedschap overbelast raakte. Schakel daarna het gereedschap weer in om verder te gaan.

**OPMERKING:** De overbelastingsbeveiliging wordt geactiveerd wanneer u de volgende soorten draadstangen probeert te snijden.

- Een draadstang die dikker is dan de maat van de snijmatrijzen.
- Een draadstang die harder is dan de snijcapaciteit van de snijmatrijzen.

### Oververhittingsbeveiliging

Wanneer het gereedschap oververhit raakt, stopt het gereedschap automatisch en knippert de LED-lamp. Laat het gereedschap eerst afkoelen alvorens het weer in te schakelen.

### Beveiliging tegen te ver ontladen

Als de acculading laag is, stopt het gereedschap automatisch. Als het gereedschap niet werkt, ook niet wanneer de schakelaars worden bediend, verwijdert u de accu's vanaf het gereedschap en laadt u de accu's op.

### De resterende acculading controleren

**Alleen voor accu's met indicatorlampjes**

► Fig.3: 1. Indicatorlampjes 2. Testknop

Druk op de testknop op de accu om de resterende acculading te zien. De indicatorlampjes branden gedurende enkele seconden.

Indicatorlampjes			Resterende acculading
Brandt	Uit	Knippert	
■ ■ ■ ■			75% tot 100%
■ ■ ■ □			50% tot 75%
■ ■ □ □			25% tot 50%
■ □ □ □			0% tot 25%
▣ □ □ □			Laad de accu op.
■ ■ □ □			Er kan een storing zijn opgetreden in de accu.
□ □ ■ ■			

**OPMERKING:** Afhankelijk van de gebruiksomstandigheden en de omgevingstemperatuur, is het mogelijk dat de aangegeven acculading verschilt van de werkelijke acculading.

### De trekkerschakelaar gebruiken

**⚠ LET OP:** Alvorens de accu in het gereedschap te plaatsen, moet u altijd controleren of de trekkerschakelaar goed werkt en bij het loslaten terugkeert naar de stand "OFF".

Om de snijbediening te starten, houdt u de trekkerschakelaar voortdurend ingeknepen. De snijmatrijs op het beweegbare bevestigingspunt zal langs de matrijs op het stationaire bevestigingspunt bewegen en daarna terugkeren. Als u de trekkerschakelaar loslaat voordat het snijden is voltooid, zal de snijmatrijs stoppen.

► **Fig.4:** 1. Trekkerschakelaar

► **Fig.5:** 1. Stationair bevestigingspunt 2. Snijmatrijs 3. Beweegbaar bevestigingspunt

**KENNISGEVING:** Laat het gereedschap niet onnodig lang draaien in onbelaste toestand.

## Automatische stopfunctie

Als u de trekkerschakelaar ingeknepen blijft houden, zal de bek tussen de matrijsen één keer dicht gaan en terugkeren naar de volledig geopende stand en daarna stoppen. Laat de trekker los en knijp hem opnieuw in om de volgende snijbediening te starten.

## Omkeerschakelaar

**WAARSCHUWING:** Wanneer u het gereedschap niet gebruikt, zet u de omkeerschakelaar altijd in de vergrendelde stand.

**ALLET OP:** Controleer voor gebruik altijd de stand van de omkeerschakelaar.

**KENNISGEVING:** Verplaats de omkeerschakelaar niet terwijl de trekkerschakelaar ingeknepen is. Hierdoor kan het gereedschap beschadigd raken.

Om de snijbediening te starten, zet u de omkeerschakelaar in de stand voor snijden.

Om de snijbediening om te keren, zet u de omkeerschakelaar in de omgekeerde stand. Als u de trekkerschakelaar ingeknepen blijft houden, wordt de bek tussen de snijmatrijsen geopend en stopt deze in de volledig geopende stand.

Om de trekkerschakelaar te vergrendelen, zet u de omkeerschakelaar in de vergrendelde stand. In deze stand kan de trekkerschakelaar niet worden ingeknepen.

► **Fig.6:** 1. Omkeerschakelaar 2. Stand voor snijden 3. Vergrendelde stand 4. Omgekeerde stand

**KENNISGEVING:** Wanneer de omkeerschakelaar in de omgekeerde stand staat, schakelt u het gereedschap uitsluitend in wanneer dat noodzakelijk is. Om beschadiging van het gereedschap te voorkomen, stopt het gereedschap automatisch wanneer het continu in de omgekeerde stand wordt gebruikt.

**OPMERKING:** Als u de trekkerschakelaar na het snijden loslaat terwijl de bek van de snijmatrijsen wordt geopend en vervolgens de omkeerschakelaar in de omgekeerde stand zet, zal nadat u nogmaals de trekkerschakelaar hebt ingeknepen, de bek eenmaal worden gesloten en weer worden geopend.

## LED-lamp

**ALLET OP:** Kijk niet direct in het lamplicht of in de lichtbron.

Knijp de trekkerschakelaar in om de lamp in te schakelen. De lamp blijft branden zolang u de trekkerschakelaar ingeknepen houdt. De lamp gaat ongeveer 15 seconden nadat u de trekkerschakelaar hebt losgelaten uit.

► **Fig.7:** 1. Lamp (binnenin)

**OPMERKING:** Gebruik een droge doek om vuil van de lens van de lamp af te vegen. Wees voorzichtig dat u de lens van de lamp niet bekrast omdat dan de verlichting minder wordt.

**OPMERKING:** Wanneer het gereedschap oververhit is, knippert de lamp. Laat het gereedschap in dat geval afkoelen.

## Lengteschaal

Gebruik de lengteschaal als u de draadstangen op dezelfde lengte wilt afsnijden. Steek de lengteschaal in het gat, zoals aangegeven in de afbeelding.

► **Fig.8:** 1. Lengteschaal 2. Klemschroef

Lijn de waarde van de gewenste lengte op de lengteschaal uit met de snijlijn. Draai daarna de klemschroef vast.

► **Fig.9:** 1. Lengteschaal 2. Snijlijn 3. Klemschroef

**ALLET OP:** Pak de lengteschaal niet vast om het gereedschap te dragen of te hanteren. Het gereedschap kan er vanaf vallen en persoonlijk letsel en/of schade aan het gereedschap veroorzaken.

## Stanggeleider

Voor nauwkeurig snijden, plaatst u de stanggeleider in positie, afhankelijk van de diameter van de draadstang die wordt afgesneden.

► **Fig.10:** 1. Stanggeleider (positie 1) 2. Stanggeleider (positie 2)

Er zijn twee posities voor de stanggeleider.

Positie	Dikte van draadstang
1	W3/8, 3/8-16UNC, M10
2	W5/16, W1/4, 5/16-18UNC, 1/4-20UNC, M8, M6

## Haak

**ALLET OP:** Hang het gereedschap nooit aan de haak op een winderige plaats of op een mogelijk instabiele ondergrond.

**ALLET OP:** Gebruik de haak niet wanneer deze vervormd of beschadigd is.

**ALLET OP:** Als u het gereedschap niet gebruikt, klapt u de haak altijd in.

De haak is handig om het gereedschap tijdelijk aan op te hangen.

► **Fig.11:** 1. Haak

**ALLET OP:** Hang de haak niet aan uw broekriem. Dit kan leiden tot persoonlijk letsel en/of schade aan het gereedschap als het valt.

► **Fig.12**

## Opbergen van de inbusleutel

Wanneer u de inbusleutel niet gebruikt, bergt u deze op de plaats aangegeven in de afbeelding op, om te voorkomen dat deze wordt verloren.

► **Fig.13:** 1. Inbusleutel

## Schouderriem

### Optioneel accessoire

De schouderriem is handig om het gereedschap te dragen.

► **Fig.14:** 1. Schouderriem 2. Uiteinde van de riem 3. Gesp

**▲LET OP:** Draag de schouderriem altijd diagonaal over uw borst en rug, en stel hem af op de juiste lengte.

**▲LET OP:** Gebruik de schouderriem niet wanneer deze beschadigd is.

**▲LET OP:** Laat voldoende lengte over tussen de gesp en het uiteinde van de riem om te voorkomen dat het uiteinde van de riem tijdens gebruik door de gesp kan schuiven.

## MONTAGE

**▲LET OP:** Zorg altijd dat het gereedschap is uitgeschakeld en de accu ervan is verwijderd alvorens enig werk aan het gereedschap uit te voeren.

## De snijmatrijzen monteren

**▲LET OP:** Monteer de snijmatrijzen altijd in de juiste richting en bevestig ze stevig. Een onjuiste of losse montage kan ertoe leiden dat de snijmatrijzen breken waarbij stukken afbreken die letsel kunnen veroorzaken.

**KENNISGEVING:** Verwijder eventuele bramen op de snijmatrijzen met behulp van een vijl.

1. Controleer of de bek van de snijmatrijzen volledig open staat. Zo niet, dan brengt u de accu aan en knijpt u de trekkerschakelaar in totdat de bek volledig is geopend.

**▲LET OP:** Vergeet niet de accu te verwijderen als u deze hebt aangebracht.

2. Zet de omkeerschakelaar in de vergrendelde stand.  
► **Fig.15:** 1. Omkeerschakelaar

3. Draai de bouten los met de bijgeleverd inbusleutel.

**▲LET OP:** Gebruik uitsluitend de sleutel die door Makita bij het gereedschap is geleverd. Als u een andere sleutel gebruikt, kan dat leiden tot te strak aandraaien of onvoldoende aandraaien, waardoor persoonlijk letsel kan ontstaan.

4. Plaats de snijmatrijzen op de bevestigingspunten zodat de twee gekleurde markeringen zichtbaar zijn.

► **Fig.16:** 1. Bout 2. Snijmatrijs 3. Stationair bevestigingspunt 4. Beweegbaar bevestigingspunt 5. Gekleurde markeringen 6. Inbusleutel

5. Bevestig de snijmatrijzen stevig met de bouten.

De snijmatrijzen zijn correct gemonteerd als de pijlen erop naar elkaar wijzen. De afmetingen van de snijmatrijzen zijn hetzelfde, maar de dikte ervan is verschillend van bovenaf gezien.

► **Fig.17:** 1. Pijl 2. Snijmatrijs 3. Dunne kant 4. Dikke kant

## BEDIENING

**▲LET OP:** Zorg ervoor dat de correcte maat snijmatrijzen wordt gemonteerd op het gereedschap. Controleer de snijcapaciteit die op de snijmatrijzen wordt aangegeven voordat u ze gebruikt.

**▲LET OP:** Voordat u de trekkerschakelaar inknipt, verzekert u zich ervan dat de draadstang zodanig is geplaatst dat de schroefdraad ervan past in die van de snijmatrijzen. Als de schroefdraden niet zijn uitgelijnd, kunnen de snijmatrijzen breken waarbij stukken afbreken die letsel kunnen veroorzaken.

**▲LET OP:** Vervang de snijmatrijzen als de snijranden afgebrokkeld of vervormd zijn.

Zorg ervoor dat bij het snijden de draadstang loodrecht op de snijlijn staat, zoals aangegeven in de afbeelding.

► **Fig.18:** 1. Snijlijn

**OPMERKING:** Bij het snijden van een draadstang gemaakt van smeedbaar metaal, zoals roestvrij staal, kunnen bramen worden gevormd op het afgesneden uiteinde. Verwijder in dat geval de bramen met behulp van een vijl.

► **Fig.19:** 1. Draadstang 2. Braam

## Vastzittende draadstangen snijden

Bij het snijden van een draadstang die vast zit in de constructie van een gebouw, zoals een plafond, wand, vloer, enz., volgt u de onderstaande procedure:

► **Fig.20:** 1. Draadstang 2. Snijmatrijs op het stationaire bevestigingspunt

1. Plaats het gereedschap zodanig dat de draadstang tussen de snijmatrijzen door loopt.

2. Terwijl de draadstang de stanggeleider raakt, lijnt u de schroefdraad van de draadstang uit met die van de snijmatrijs op het stationaire bevestigingspunt.

3. Knijp de trekkerschakelaar in en houd deze ingeknepen totdat het snijden voltooid is en de bek van de snijmatrijzen weer volledig geopend is.

**KENNISGEVING:** Reinig vóór gebruik het vooroppervlak van het gereedschap en de punt van de lengteschaal. Deze kunnen het raakvlak vuil maken.

## Losse draadstangen snijden

Bij het snijden van een losse draadstang op de grond of op een werkbank, volgt u de onderstaande procedure:

► **Fig.21:** 1. Draadstang 2. Snijmatrijs op het stationaire bevestigingspunt

1. Plaats de draadstang tussen de snijmatrijzen.
2. Terwijl de draadstang de stanggeleider raakt, lijt u de schroefdraad van de draadstang uit met die van de snijmatrijs op het stationaire bevestigingspunt.
3. Knijp de trekkerschakelaar in en houd deze ingeknepen totdat het snijden voltooid is en de bek van de snijmatrijzen weer volledig geopend is.

Bij het snijden van een lange draadstang die moeilijk met de hand kan worden vastgehouden, plaatst u het gereedschap zoals aangegeven in de afbeelding. Het gereedschap kan plat worden gelegd. De afdekking kan tevens worden gebruikt als ondersteuning van het uiteinde van de draadstang.

► **Fig.22:** 1. Afdekking (positie 1) 2. Stanggeleider (positie 1) 3. Afdekking (positie 2) 4. Stanggeleider (positie 2)

Op de afdekking staan markeringen die de posities aangeven. Afhankelijk van de dikte van de draadstang, plaatst u de afdekking en de stanggeleider in de positie aangegeven in de tabel.

Positie	Dikte van draadstang
1	W3/8, 3/8-16UNC, M10
2	W5/16, W1/4, 5/16-18UNC, 1/4-20UNC, M8, M6

## Het snijden tussentijds afbreken

**⚠ LET OP:** Probeer nooit het gereedschap met kracht van de draadstang af te trekken. Dit kan leiden tot onverwacht starten waardoor persoonlijk letsel of schade aan de snijmatrijzen en het gereedschap kan worden veroorzaakt.

Wanneer het snijden tussentijds wordt afgebroken, zet u de omkeerschakelaar in de omgekeerde stand en knijpt u de trekkerschakelaar in totdat de draadstang helemaal is losgelaten door de snijmatrijzen.

## ONDERHOUD

**⚠ LET OP:** Zorg altijd dat het gereedschap is uitgeschakeld en de accu ervan is verwijderd alvorens te beginnen met onderhoud of inspectie.

**KENNISGEVING:** Gebruik nooit benzine, wasbenzine, thinner, alcohol en dergelijke. Hierdoor kunnen verkleuring, vervormingen en barsten worden veroorzaakt.

## De snijmatrijzen vervangen

**KENNISGEVING:** Vervang beide snijmatrijzen tegelijkertijd. Als u slechts één snijmatrijs vervangt, kunnen bramen ontstaan op de draadstang.

Vervang de snijmatrijzen wanneer deze afgebrokkeld, vervormd of bot zijn. Om de snijmatrijzen te vervangen, volgt u de instructies onder "De snijmatrijzen monteren".

► **Fig.23:** 1. Afgebrokkeld 2. Vervormd

Eén snijmatrijs heeft twee snijranden en tevens een dikke kant en een dunne kant. Verander de montagepositie van de snijmatrijzen als u de snijrand aan de andere kant nog niet hebt gebruikt.

► **Fig.24:** 1. Snijrand 2. Dunne kant 3. Dikke kant

## Het gereedschap dragen/opbergen

**⚠ LET OP:** Wanneer het gereedschap niet wordt gebruikt, bevestigt u altijd de bijgeleverde afdekking op het snijgedeelte.

Bevestig de afdekking wanneer u het gereedschap draagt.

Als u het gereedschap opbergt, verwijdert u de accu en de lengteschaal vanaf het gereedschap. Veeg het stof vanaf de snijmatrijzen en het bewegende deel. Bevestig daarna de afdekking.

► **Fig.25:** 1. Afdekking

Om de VEILIGHEID en BETROUWBAARHEID van het gereedschap te handhaven, dienen alle reparaties, onderhoud of afstellingen te worden uitgevoerd bij een erkend Makita-servicecentrum of de Makita-fabriek, en altijd met gebruik van Makita-vervangingsonderdelen.

## OPTIONELE ACCESSOIRES

**⚠ LET OP:** Deze accessoires of hulpstukken worden aanbevolen voor gebruik met het Makita gereedschap dat in deze gebruiksaanwijzing is beschreven. Bij gebruik van andere accessoires of hulpstukken bestaat het gevaar van persoonlijk letsel. Gebruik de accessoires of hulpstukken uitsluitend voor hun bestemde doel.

Wenst u meer bijzonderheden over deze accessoires, neem dan contact op met het plaatselijke Makita-servicecentrum.

- Snijmatrijzen
- Schouderriem
- Originele Makita accu's en acculaders

**OPMERKING:** Sommige items op de lijst kunnen zijn inbegrepen in de doos van het gereedschap als standaard toebehoren. Deze kunnen van land tot land verschillen.

## ESPECIFICACIONES

Modelo:		DSC102
Capacidades de corte	Acero suave	W3/8, W5/16, W1/4, 3/8-16UNC, 5/16-18UNC, 1/4-20UNC, M10, M8, M6
	Acero inoxidable	W3/8, 5/16-18UNC, M8, M6
Longitud total		199 mm
Tensión nominal		CC 18 V CC 14,4 V
Peso neto		2,8 - 3,2 kg

- Debido a nuestro continuado programa de investigación y desarrollo, las especificaciones aquí dadas están sujetas a cambios sin previo aviso.
- Las especificaciones pueden ser diferentes de país a país.
- El peso puede variar dependiendo del accesorio(s), incluyendo el cartucho de batería. La combinación menos pesada y la más pesada, de acuerdo con el procedimiento EPTA 01/2014, se muestran en la tabla.

### Cartucho de batería y cargador aplicables






Cartucho de batería	Modelo de CC 14,4 V	BL1415N / BL1430 / BL1430B / BL1440 / BL1450 / BL1460B
	Modelo de CC 18 V	BL1815N / BL1820 / BL1820B / BL1830 / BL1830B / BL1840 / BL1840B / BL1850 / BL1850B / BL1860B
Cargador		DC18RC / DC18RD / DC18RE / DC18SD / DC18SE / DC18SF

- Algunos de los cartuchos de batería y cargadores indicados arriba puede que no estén disponibles dependiendo de su región de residencia.

**⚠ ADVERTENCIA:** Utilice solamente los cartuchos de batería y cargadores listados arriba. La utilización de cualquier otro cartucho de batería y cargador puede ocasionar heridas y/o un incendio.

### Símbolos

A continuación se muestran los símbolos utilizados con este equipo. Asegúrese de que entiende su significado antes de usarlo.

	Lea el manual de instrucciones.
	Póngase gafas de seguridad.
	No toque la matriz de corte durante la operación.
	Preste atención a una varilla roscada cortada.
	No acerque la cara a la herramienta durante la operación.



Sólo para países de la Unión Europea  
 ¡No deseche los aparatos eléctricos o baterías junto con los residuos domésticos!  
 De conformidad con las Directivas Europeas, sobre residuos de aparatos eléctricos y electrónicos y baterías y acumuladores y residuos de baterías y acumuladores y su aplicación de acuerdo con la legislación nacional, los aparatos eléctricos y pilas y baterías cuya vida útil haya llegado a su fin deberán ser recogidos por separado y trasladados a una planta de reciclaje que cumpla con las exigencias ecológicas.

### Uso previsto

La herramienta ha sido prevista para cortar varillas roscadas.

### Ruido

El nivel de ruido A-ponderado típico determinado de acuerdo con la norma EN62841-2-8:  
 Nivel de presión sonora ( $L_{pA}$ ) : 71 dB (A)  
 Error (K) : 3 dB (A)

El nivel de ruido en situación de trabajo puede exceder 80 dB (A).

**⚠ ADVERTENCIA:** Póngase protectores para oídos.



## Vibración

El valor total de la vibración (suma de vectores triaxiales) determinado de acuerdo con la norma EN62841-2-8:

Modo de trabajo: corte de varillas roscadas de acero inoxidable (tamaño de la varilla W3/8)

Emisión de vibración ( $a_{\text{h}}$ ): 2,5 m/s<sup>2</sup> o menos

Error (K): 1,5 m/s<sup>2</sup>

**NOTA:** El valor de emisión de vibración declarado ha sido medido de acuerdo con el método de prueba estándar y se puede utilizar para comparar una herramienta con otra.

**NOTA:** El valor de emisión de vibración declarado también se puede utilizar en una valoración preliminar de exposición.

**⚠ADVERTENCIA:** La emisión de vibración durante la utilización real de la herramienta eléctrica puede variar del valor de emisión declarado dependiendo de las formas en las que la herramienta sea utilizada.

**⚠ADVERTENCIA:** Asegúrese de identificar medidas de seguridad para proteger al operario que estén basadas en una estimación de la exposición en las condiciones reales de utilización (teniendo en cuenta todas las partes del ciclo operativo como las veces cuando la herramienta está apagada y cuando está funcionando en vacío además del tiempo de gatillo).

## Declaración CE de conformidad

*Para países europeos solamente*

La declaración CE de conformidad está incluida como Anexo A de esta manual de instrucciones.

## ADVERTENCIAS DE SEGURIDAD

### Advertencias de seguridad para herramientas eléctricas en general

**⚠ADVERTENCIA:** Lea todas las advertencias de seguridad, instrucciones, ilustraciones y especificaciones provistas con esta herramienta eléctrica. Si no sigue todas las instrucciones indicadas abajo podrá resultar en una descarga eléctrica, un incendio y/o heridas graves.

### Guarde todas las advertencias e instrucciones para futuras referencias.

El término "herramienta eléctrica" en las advertencias se refiere a su herramienta eléctrica de funcionamiento con conexión a la red eléctrica (con cable) o herramienta eléctrica de funcionamiento a batería (sin cable).

## Advertencias de seguridad para la cortadora inalámbrica de varilla

1. Sujete la herramienta firmemente.
2. Sujete la pieza de trabajo firmemente.
3. Mantenga la cara y las manos alejadas de las partes en movimiento. Durante el corte, fragmentos de la varilla roscada pueden salir volando.
4. Póngase siempre guantes cuando maneje varillas roscadas. Los bordes y las virutas de la pieza de trabajo son cortantes.
5. No ponga la herramienta sobre las virutas de la pieza de trabajo. De lo contrario esto podrá ocasionar daños y problemas en la herramienta.
6. Asegúrese siempre de que tiene suelo firme. Asegúrese de que no haya nadie debajo cuando utilice la herramienta en lugares altos.
7. No toque el borde cortante o la pieza de trabajo inmediatamente después de la operación; podrán estar muy calientes y quemarle la piel.
8. Evite cortar cables eléctricos. Podría ocasionar un accidente grave por descarga eléctrica.
9. Sujete siempre la varilla roscada durante y después del corte para evitar que la varilla roscada cortada se caiga. Una varilla roscada cortada puede ocasionar heridas personales graves si se cae desde un lugar alto.
10. Mantenga una distancia segura entre su cuerpo y las partes en movimiento. No utilice la herramienta si el área de trabajo es demasiado reducida como para mantener una distancia segura.
11. No deje nunca la herramienta en un lugar alto o en una superficie potencialmente inestable.

## GUARDE ESTAS INSTRUCCIONES.

**⚠ADVERTENCIA:** NO deje que la comodidad o familiaridad con el producto (a base de utilizarlo repetidamente) sustituya la estricta observancia de las normas de seguridad para el producto en cuestión.

El MAL USO o el no seguir las normas de seguridad establecidas en este manual de instrucciones podrá ocasionar graves heridas personales.

## Instrucciones de seguridad importantes para el cartucho de batería

1. Antes de utilizar el cartucho de batería, lea todas las instrucciones e indicaciones de precaución sobre (1) el cargador de baterías, (2) la batería, y (3) el producto con el que se utiliza la batería.
2. No desarme el cartucho de batería.
3. Si el tiempo de uso se acorta demasiado, cese la operación inmediatamente. Podría resultar en un riesgo de recalentamiento, posibles quemaduras e incluso una explosión.



4. Si entra electrolito en sus ojos, aclárelos con agua limpia y acuda a un médico inmediatamente. Existe el riesgo de poder perder la vista.
5. No cortocircuite el cartucho de batería:
  - (1) No toque los terminales con ningún material conductor.
  - (2) Evite guardar el cartucho de batería en un cajón junto con otros objetos metálicos, como clavos, monedas, etc.
  - (3) No exponga el cartucho de batería al agua ni a la lluvia.

Un cortocircuito en la batería puede producir una gran circulación de corriente, un recalentamiento, posibles quemaduras e incluso una rotura de la misma.

6. No guarde la herramienta y el cartucho de batería en lugares donde la temperatura pueda alcanzar o exceder los 50 °C.
7. Nunca incinere el cartucho de batería incluso en el caso de que esté dañado seriamente o ya no sirva en absoluto. El cartucho de batería puede explotar si se tira al fuego.
8. Tenga cuidado de no dejar caer ni golpear el cartucho de batería.
9. No utilice una batería dañada.
10. Las baterías de litio-ion contenidas están sujetas a los requisitos de la Legislación para Materiales Peligrosos.  
Para transportes comerciales, p.ej., por terceras personas y agentes de transportes, se deberán observar requisitos especiales para el empaquetado y etiquetado.  
Para la preparación del artículo que se va a enviar, se requiere consultar con un experto en materiales peligrosos. Por favor, observe también la posibilidad de reglamentos nacionales más detallados.  
Cubra con cinta aislante o enmascare los contactos expuestos y empaquete la batería de tal manera que no se pueda mover alrededor dentro del embalaje.

11. Siga los reglamentos locales referentes al desecho de la batería.
12. Utilice las baterías solamente con los productos especificados por Makita. La instalación de las baterías en productos no compatibles puede resultar en un incendio, calor excesivo, explosión, o fuga de electrolito.

## GUARDE ESTAS INSTRUCCIONES.

**⚠PRECAUCIÓN:** Utilice solamente baterías genuinas de Makita. La utilización de baterías no genuinas de Makita, o baterías que han sido alteradas, puede resultar en una explosión de la batería ocasionando incendios, heridas personales y daños. También anulará la garantía de Makita para la herramienta y el cargador de Makita.

## Consejos para alargar al máximo la vida de servicio de la batería

1. Cargue el cartucho de batería antes de que se descargue completamente. Detenga siempre la operación y cargue el cartucho de batería cuando note menos potencia en la herramienta.
2. No cargue nunca un cartucho de batería que esté completamente cargado. La sobrecarga acortará la vida de servicio de la batería.
3. Cargue el cartucho de batería a temperatura ambiente de 10 °C - 40 °C. Si un cartucho de batería está caliente, déjelo enfriar antes de cargarlo.
4. Cargue el cartucho de batería si no lo utiliza durante un periodo de tiempo prolongado (más de seis meses).

## DESCRIPCIÓN DE LAS PARTES

► Fig.1

1	Montura estacionaria	2	Montura móvil	3	Matriz de corte	4	Perno
5	Gancho	6	Base de la correa de bandolera (para accesorio opcional)	7	Llave hexagonal	8	Lámpara (dentro)
9	Cara frontal	10	Gatillo interruptor	11	Palanca del interruptor inversor	12	Guía de varilla
13	Escala guía	14	Tornillo de fijación	15	Cubierta	-	-

## DESCRIPCIÓN DEL FUNCIONAMIENTO

**⚠️ PRECAUCIÓN:** Asegúrese siempre de que la herramienta esté apagada y el cartucho de batería retirado antes de realizar cualquier ajuste o comprobación en la herramienta.

### Instalación o extracción del cartucho de batería

**⚠️ PRECAUCIÓN:** Apague siempre la herramienta antes de instalar o retirar el cartucho de batería.

**⚠️ PRECAUCIÓN:** Sujete la herramienta y el cartucho de batería firmemente cuando instale o retire el cartucho de batería. Si no sujeta la herramienta y el cartucho de batería firmemente podrán caérsele de las manos y resultar en daños a la herramienta y al cartucho de batería y heridas personales.

► **Fig.2:** 1. Indicador rojo 2. Botón 3. Cartucho de batería

Para retirar el cartucho de batería, deslícelo de la herramienta mientras desliza el botón de la parte frontal del cartucho.

Para instalar el cartucho de batería, alinee la lengüeta del cartucho de batería con la ranura de la carcasa y deslícelo hasta que encaje en su sitio. Insértelo a tope hasta que se bloquee en su sitio produciendo un pequeño chasquido. Si puede ver el indicador rojo en el lado superior del botón, no estará bloqueado completamente.

**⚠️ PRECAUCIÓN:** Instale siempre el cartucho de batería completamente hasta que no pueda verse el indicador rojo. En caso contrario, podrá caerse accidentalmente de la herramienta y ocasionarle heridas a usted o a alguien que esté cerca de usted.

**⚠️ PRECAUCIÓN:** No instale el cartucho de batería empleando fuerza. Si el cartucho no se desliza al interior fácilmente, será porque no está siendo insertado correctamente.

### Sistema de protección de la herramienta / batería

La herramienta está equipada con un sistema de protección de la herramienta/batería. Este sistema corta automáticamente la alimentación del motor para alargar la vida útil de la herramienta y la batería. La herramienta se detendrá automáticamente durante la operación si la herramienta o la batería es puesta en una de las condiciones siguientes. En algunas condiciones, los indicadores se iluminan.

## Protección contra sobrecarga

Cuando la herramienta es utilizada de una manera que da lugar a que tenga que absorber una corriente anormalmente alta, la herramienta se detiene automáticamente sin ninguna indicación. En esta situación, apague la herramienta y detenga la tarea que ocasiona la sobrecarga de la herramienta. Después encienda la herramienta para volver a empezar.

**NOTA:** La protección contra la sobrecarga se activará cuando intente cortar los siguientes tipos de varillas roscadas.

- Una varilla roscada que sea más grande que el tamaño de la matriz de corte.
- Una varilla roscada que sea más dura que la capacidad de corte de la matriz de corte.

## Protección contra el recalentamiento

Cuando la herramienta se recalienta, se detiene automáticamente y la luz LED parpadea. Deje que la herramienta se enfríe antes de encenderla otra vez.

## Protección contra descarga excesiva
















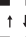


Cuando la capacidad de la batería sea baja, la herramienta se detendrá automáticamente. Si el producto no funciona aun cuando los interruptores sean accionados, retire las baterías de la herramienta y cárguelas.

### Modo de indicar la capacidad de batería restante

**Solamente para cartuchos de batería con el indicador**

► **Fig.3:** 1. Lámparas indicadoras 2. Botón de comprobación

Presione el botón de comprobación en el cartucho de batería para indicar la capacidad de batería restante. Las lámparas indicadoras se iluminan durante unos pocos segundos.

Lámparas indicadoras			Capacidad restante
 Iluminada	 Apagada	 Parpadeando	
			75% a 100%
			50% a 75%
			25% a 50%
			0% a 25%
			Cargue la batería.
 	 	 	Puede que la batería no esté funcionando bien.

**NOTA:** Dependiendo de las condiciones de utilización y de la temperatura ambiente, la indicación podrá variar ligeramente de la capacidad real.

## Accionamiento del interruptor

**⚠ PRECAUCIÓN:** Antes de insertar el cartucho de batería en la herramienta, compruebe siempre para cerciorarse de que el gatillo interruptor se acciona debidamente y que vuelve a la posición "OFF" cuando lo suelta.

Para comenzar la operación de corte, continúe apretando el gatillo interruptor. La matriz de corte de la montura móvil se solapará con la matriz de la montura estacionaria y después retornará. Si libera el gatillo interruptor antes de completar el corte, la matriz de corte se detendrá.

► **Fig.4:** 1. Gatillo interruptor

► **Fig.5:** 1. Montura estacionaria 2. Matriz de corte  
3. Montura móvil

**AVISO:** No utilice la herramienta en vacío innecesariamente.

## Función de parada automática

Cuando continúa apretando el gatillo interruptor, la mordaza de la matriz primero se cierra y retorna a la posición completamente abierta y después se detiene. Libere el gatillo y apriételo otra vez para comenzar la siguiente secuencia de corte.

## Palanca del interruptor inversor

**⚠ ADVERTENCIA:** Cuando no esté utilizando la herramienta, ponga siempre la palanca del interruptor inversor en la posición de bloqueo.

**⚠ PRECAUCIÓN:** Asegúrese siempre de la posición de la palanca del interruptor inversor antes de la operación.

**AVISO:** No mueva la palanca del interruptor inversor cuando el gatillo interruptor esté siendo apretado. Esto podrá ocasionar daños a la herramienta.

Para comenzar la operación de corte, ponga la palanca del interruptor inversor en la posición de corte.

Para invertir la secuencia de corte, ponga la palanca del interruptor inversor en la posición de inversión. Cuando continúa apretando el gatillo interruptor, la mordaza de la matriz de corte se abre y se detiene en la posición completamente abierta.

Para bloquear el gatillo interruptor, ponga la palanca del interruptor inversor en la posición de bloqueo. El gatillo interruptor no se puede apretar en esta posición.

► **Fig.6:** 1. Palanca del interruptor inversor  
2. Posición de corte 3. Posición de bloqueo  
4. Posición de inversión

**AVISO:** Cuando la palanca del interruptor inversor esté en la posición de inversión, haga funcionar la herramienta solo según se necesite. Para evitar que la herramienta se dañe, la herramienta se detendrá automáticamente cuando se la haga funcionar en la posición de inversión continuamente.

**NOTA:** Después de cortar, si libera el gatillo interruptor mientras la mordaza de la matriz de corte se está abriendo y después pone la palanca del interruptor inversor en la posición de inversión, la mordaza primero se cerrará y después se abrirá cuando apriete el gatillo interruptor otra vez.

## Luz LED

**⚠ PRECAUCIÓN:** No mire a la luz ni vea la fuente de luz directamente.

Apriete el gatillo interruptor para encender la lámpara. La lámpara seguirá encendida mientras el gatillo interruptor esté siendo apretado. La lámpara se apagará aproximadamente 15 segundos después de liberar el gatillo interruptor.

► **Fig.7:** 1. Lámpara (dentro)

**NOTA:** Utilice un paño seco para quitar la suciedad de la lente de la lámpara. Tenga cuidado de no rayar la lente de la lámpara, porque podrá disminuir la iluminación.

**NOTA:** Cuando la herramienta esté recalentada, la lámpara parpadeará. Deje que la herramienta se enfríe en este caso.

## Escala guía

Utilice la escala guía si desea cortar varillas roscadas de la misma longitud. Inserte la escala guía en el agujero como se muestra en la figura.

► **Fig.8:** 1. Escala guía 2. Tornillo de fijación

Alinee el valor de la longitud que desea en la escala guía con la línea de corte. Después apriete el tornillo de fijación.

► **Fig.9:** 1. Escala guía 2. Línea de corte 3. Tornillo de fijación

**⚠ PRECAUCIÓN:** No agarre la escala guía para transportar o manejar la herramienta. La herramienta podrá caerse y ocasionar heridas personales y/o daños a la herramienta.

## Guía de varilla

Para un corte preciso, ajuste la guía de varilla en posición en función del diámetro de la varilla roscada que se va a cortar.

► **Fig.10:** 1. Guía de varilla (Posición 1) 2. Guía de varilla (Posición 2)

Hay dos posiciones para la guía de varilla.

Posición	Tamaño de la varilla roscada
1	W3/8, 3/8-16UNC, M10
2	W5/16, W1/4, 5/16-18UNC, 1/4-20UNC, M8, M6

## Gancho

**PRECAUCIÓN:** No enganche nunca la herramienta en un lugar ventoso o en una superficie potencialmente inestable.

**PRECAUCIÓN:** No utilice el gancho cuando esté deformado o dañado.

**PRECAUCIÓN:** Cuando no esté utilizando la herramienta, pliegue siempre el gancho.

El gancho resulta útil para colgar la herramienta temporalmente.

► Fig.11: 1. Gancho

**PRECAUCIÓN:** No cuelgue el gancho en el cinturón. Podrá resultar en heridas personales y/o daños a la herramienta si se cae.

► Fig.12

## Para guardar la llave hexagonal

Cuando no la esté utilizando, coloque la llave hexagonal como se muestra en la figura para evitar perderla.

► Fig.13: 1. Llave hexagonal

## Correa de bandolera

### Acesorios opcionales

La correa de bandolera resulta útil para transportar la herramienta.

► Fig.14: 1. Correa de bandolera 2. Extremo de la correa 3. Hebilla

**PRECAUCIÓN:** Póngase siempre la correa de bandolera cruzada sobre su cuerpo y ajustada a la longitud apropiada.

**PRECAUCIÓN:** No utilice la correa de bandolera si está dañada.

**PRECAUCIÓN:** Deje una longitud suficiente entre la hebilla y el extremo de la correa para evitar que el extremo de la correa se deslice a través de la hebilla.

## MONTAJE

**PRECAUCIÓN:** Asegúrese siempre de que la herramienta está apagada y el cartucho de batería retirado antes de realizar cualquier trabajo en la herramienta.

## Instalación de la matriz de corte

**PRECAUCIÓN:** Instale siempre la matriz de corte en las direcciones correctas y sujétela firmemente. La colocación incorrecta o floja puede ocasionar la rotura de la matriz de corte, resultando en heridas personales por fragmentos que salen volando.

**AVISO:** Retire las rebabas de la matriz de corte, si hubiese alguna, utilizando una lima.

1. Compruebe si la mordaza de la matriz de corte está abierta completamente. Si no, instale la batería y apriete el gatillo interruptor hasta que la mordaza esté abierta completamente.

**PRECAUCIÓN:** Asegúrese de retirar el cartucho de batería si lo ha instalado.

2. Ponga la palanca del interruptor inversor en la posición de bloqueo.

► Fig.15: 1. Palanca del interruptor inversor

3. Desenrosque los pernos con la llave hexagonal suministrada.

**PRECAUCIÓN:** Utilice solamente la llave Makita provista con la herramienta. La utilización de otras llaves puede resultar en un apriete excesivo o un apriete insuficiente que ocasionará heridas personales.

4. Ponga la matriz de corte sobre las monturas de forma que las dos marcas de color se puedan ver.

► Fig.16: 1. Perno 2. Matriz de corte 3. Montura estacionaria 4. Montura móvil 5. Marca de color 6. Llave hexagonal

5. Sujete la matriz de corte con los pernos firmemente.

Las matrices de corte estarán instaladas correctamente si las flechas en ellas están apuntando una a la otra. Las dimensiones de la matriz de corte son iguales pero sus espesores parecen diferentes cuando se ven desde arriba.

► Fig.17: 1. Flecha 2. Matriz de corte 3. Lado fino 4. Lado grueso

## OPERACIÓN

**PRECAUCIÓN:** Asegúrese de que la matriz de corte del tamaño correcto está instalada en la herramienta. Compruebe la capacidad de corte escrita en la matriz de corte antes de cortar.

**PRECAUCIÓN:** Antes de apretar el gatillo interruptor, asegúrese de ajustar la varilla rosada de forma que su rosca encaje con la de la matriz de corte. Una alineación incorrecta de las roscas puede romper la matriz de corte y ocasionar heridas personales por fragmentos que salen volando.

**PRECAUCIÓN:** Reemplace la matriz de corte si el borde cortante está mellado o deformado.

Cuando corte, coloque la varilla roscada perpendicular a la línea de corte como se muestra en la figura.

► **Fig.18:** 1. Línea de corte

**NOTA:** Cuando corte una varilla roscada hecha de metal dúctil tal como acero inoxidable, se podrán generar rebabas en el extremo del corte. Retire las rebabas con una lima en este caso.

► **Fig.19:** 1. Varilla roscada 2. Rebaba

## Corte de varillas roscadas sujetadas

Cuando corte una varilla roscada que esté sujeta a la estructura del edificio tal como el techo, pared, suelo, etc., siga el procedimiento de abajo:

► **Fig.20:** 1. Varilla roscada 2. Matriz de corte en la montura estacionaria

1. Acerque la herramienta de forma que la varilla roscada esté posicionada entre la matriz de corte.
2. Mientras la varilla roscada está haciendo contacto con la guía de varilla, encaje la rosca de la varilla con la de la matriz de corte en la montura estacionaria.
3. Mantenga apretado el gatillo interruptor hasta que el corte esté terminado y la mordaza de la matriz de corte se ponga en la posición completamente abierta.

**AVISO:** Limpie la cara frontal de la herramienta y la punta de la escala guía antes de la operación. Pueden ensuciar la superficie de contacto.

## Corte de varillas roscadas sueltas

Cuando corte una varilla roscada suelta en el suelo o en un banco de trabajo, siga el procedimiento de abajo:

► **Fig.21:** 1. Varilla roscada 2. Matriz de corte en la montura estacionaria

1. Coloque una varilla roscada entre la matriz de corte.
2. Mientras la varilla roscada está haciendo contacto con la guía de varilla, encaje la rosca de la varilla con la de la matriz de corte en la montura estacionaria.
3. Mantenga apretado el gatillo interruptor hasta que el corte esté terminado y la mordaza de la matriz de corte se ponga en la posición completamente abierta.

Cuando corte una varilla roscada larga que sea difícil de sujetar a mano, coloque la herramienta como se muestra en la ilustración. La herramienta se puede colocar plana. La cubierta también se puede utilizar para apoyar el extremo de la varilla roscada.

► **Fig.22:** 1. Cubierta (Posición 1) 2. Guía de varilla (Posición 1) 3. Cubierta (Posición 2) 4. Guía de varilla (Posición 2)

La cubierta tiene marcas para indicar su posición. Dependiendo del tamaño de la varilla roscada, ponga la cubierta en la posición como se muestra en la tabla así como la guía de varilla.

Posición	Tamaño de la varilla roscada
1	W3/8, 3/8-16UNC, M10
2	W5/16, W1/4, 5/16-18UNC, 1/4-20UNC, M8, M6

## Abandono del corte a medias

**PRECAUCIÓN:** No intente nunca extraer la herramienta a la fuerza de la varilla roscada. Podrá ocasionar una puesta en marcha inesperada que ocasionará heridas personales o daños a la matriz de corte y la herramienta.

Cuando abandone el corte a medias, ponga la palanca del interruptor inversor en la posición de inversión y apriete el gatillo interruptor hasta que la varilla roscada esté completamente liberada de la matriz de corte.

## MANTENIMIENTO

**PRECAUCIÓN:** Asegúrese siempre de que la herramienta está apagada y de que el cartucho de batería está retirado antes de intentar hacer una inspección o mantenimiento.

**AVISO:** No utilice nunca gasolina, bencina, disolvente, alcohol o similares. Podría producir descoloración, deformación o grietas.

## Reemplazo de la matriz de corte

**AVISO:** Reemplace ambas matrices de corte al mismo tiempo. El reemplazo de un lado de la matriz de corte puede generar rebaba en la varilla roscada.

Reemplace la matriz de corte cuando esté mellada, deformada, o el corte se desafilé. Para reemplazar, siga las instrucciones en "Instalación de la matriz de corte".

► **Fig.23:** 1. Mella 2. Deformación

Una matriz de corte tiene dos bordes cortantes y un lado grueso y un lado fino. Cambie las posiciones de instalación de la matriz de corte si no ha utilizado los otros lados de los bordes de corte.

► **Fig.24:** 1. Borde cortante 2. Lado fino 3. Lado grueso

## Transporte/almacenamiento de la herramienta

**PRECAUCIÓN:** Cuando la herramienta no esté siendo utilizada, coloque siempre la cubierta suministrada en la porción de corte.

Coloque la cubierta cuando transporte la herramienta. Cuando almacene la herramienta, retire el cartucho de batería y la escala guía de la herramienta. Limpie el polvo de la matriz de corte y de la parte móvil. Después de eso, coloque la cubierta.

► **Fig.25:** 1. Cubierta

Para mantener la SEGURIDAD y FIABILIDAD del producto, las reparaciones, y cualquier otra tarea de mantenimiento o ajuste deberán ser realizadas en centros de servicio o de fábrica autorizados por Makita, empleando siempre repuestos Makita.

# ACCESORIOS OPCIONALES

**⚠PRECAUCIÓN:** Estos accesorios o aditamentos están recomendados para su uso con la herramienta Makita especificada en este manual.

El uso de cualquier otro accesorio o aditamento puede suponer un riesgo de heridas personales. Utilice el accesorio o aditamento solamente con la finalidad indicada para el mismo.

Si necesita cualquier ayuda para más detalles en relación con estos accesorios, pregunte al centro de servicio Makita local.

- Matriz de corte
- Correa de bandolera
- Batería y cargador genuinos de Makita

**NOTA:** Algunos elementos de la lista podrán estar incluidos en el paquete de la herramienta como accesorios estándar. Pueden variar de un país a otro.

## ESPECIFICAÇÕES

Modelo:		DSC102
Capacidades de corte	Aço macio	W3/8, W5/16, W1/4, 3/8-16UNC, 5/16-18UNC, 1/4-20UNC, M10, M8, M6
	Aço inoxidável	W3/8, 5/16-18UNC, M8, M6
Comprimento total		199 mm
Voltagem nominal		C.C. 18 V C.C. 14,4 V
Peso líquido		2,8 - 3,2 kg

- Devido a um programa contínuo de pesquisa e desenvolvimento, estas especificações estão sujeitas a alteração sem aviso prévio.
- As especificações podem variar de país para país.
- O peso poderá diferir em função do acessório(s), incluindo a bateria. A combinação mais leve e mais pesada, de acordo com o Procedimento EPTA 01/2014, é apresentada na tabela.

### Bateria e carregador aplicável






Bateria	Modelo CC14,4 V	BL1415N / BL1430 / BL1430B / BL1440 / BL1450 / BL1460B
	Modelo CC18 V	BL1815N / BL1820 / BL1820B / BL1830 / BL1830B / BL1840 / BL1840B / BL1850 / BL1850B / BL1860B
Carregador		DC18RC / DC18RD / DC18RE / DC18SD / DC18SE / DC18SF

- Algumas das baterias e carregadores listados acima poderão não estar disponíveis, dependendo da sua região de residência.

**AVISO:** Utilize apenas as baterias e carregadores listados acima. A utilização de quaisquer outras baterias e carregadores pode causar ferimentos e/ou um incêndio.

### Símbolos

A seguir são apresentados os símbolos utilizados para o equipamento. Certifique-se de que compreende o seu significado antes de utilizar o equipamento.

	Leia o manual de instruções.
	Use óculos de segurança.
	Não toque nos moldes de corte durante a operação.
	Preste atenção a uma barra roscada cortada.
	Não aproxime o seu rosto da ferramenta durante a operação.



Ni-MH  
Li-ion

Apenas para países da UE  
Não elimine equipamentos elétricos ou baterias juntamente com o material residual doméstico!  
Em cumprimento com as Diretivas Europeias relativas aos resíduos de equipamentos elétricos e eletrônicos e pilhas e acumuladores e baterias e acumuladores e resíduos de pilhas e acumuladores e a sua implementação de acordo com as leis nacionais, o equipamento elétrico e as baterias e pacote(s) de bateria(s) que atingiram o fim de vida têm de ser recolhidos separadamente e devolvidos a instalações de reciclagem compatíveis a nível ambiental.

### Utilização a que se destina

A ferramenta serve para cortar barras roscadas.

### Ruído

A característica do nível de ruído A determinado de acordo com a EN62841-2-8:  
Nível de pressão acústica ( $L_{pA}$ ): 71 dB (A)  
Variabilidade (K): 3 dB (A)

O nível de ruído durante o funcionamento pode exceder 80 dB (A).

**AVISO:** Utilize protetores auriculares.

## Vibração

Valor total da vibração (soma vetorial tri-axial) determinado de acordo com a EN62841-2-8:

Modo de trabalho: corte de barra roscada de aço inoxidável (tamanho da barra: W3/8)

Emissão de vibração ( $a_{h,v}$ ): 2,5 m/s<sup>2</sup> ou menos

Variabilidade (K): 1,5 m/s<sup>2</sup>

**NOTA:** O valor da emissão de vibração indicado foi medido de acordo com o método de teste padrão e pode ser utilizado para comparar duas ferramentas.

**NOTA:** O valor da emissão de vibração indicado pode também ser utilizado na avaliação preliminar da exposição.

**AVISO:** A emissão de vibração durante a utilização real da ferramenta elétrica pode diferir do valor de emissão indicado, dependendo das formas como a ferramenta é utilizada.

**AVISO:** Certifique-se de identificar as medidas de segurança para proteção do operador que sejam baseadas em uma estimativa de exposição em condições reais de utilização (considerando todas as partes do ciclo de operação, tal como quando a ferramenta está desligada e quando está a funcionar em marcha lenta além do tempo de acionamento).

## Declaração de conformidade da CE

### *Apenas para os países europeus*

A declaração de conformidade da CE está incluída como Anexo A neste manual de instruções.

## AVISOS DE SEGURANÇA

### Avisos gerais de segurança para ferramentas elétricas

**AVISO:** Leia todos os avisos de segurança, instruções, ilustrações e especificações fornecidos com esta ferramenta elétrica. O não cumprimento de todas as instruções indicadas em baixo pode resultar em choque elétrico, incêndio e/ou ferimentos graves.

### Guarde todos os avisos e instruções para futuras referências.

O termo "ferramenta elétrica" nos avisos refere-se às ferramentas elétricas ligadas à corrente elétrica (com cabo) ou às ferramentas elétricas operadas por meio de bateria (sem cabo).

## Avisos de segurança para a cortadora de barra roscada a bateria

1. **Segure a ferramenta firmemente.**
2. **Segure firmemente na peça de trabalho.**
3. **Mantenha o rosto e as mãos afastados das peças em movimento.** Durante o corte, a fração da barra roscada pode ser projetada.
4. **Use sempre luvas quando manusear barras roscadas.** Os cantos e as aparas da peça de trabalho são afiados.
5. **Não coloque a ferramenta sobre as aparas da peça de trabalho. Caso contrário, pode causar danos e problemas na ferramenta.**
6. **Certifique-se sempre de que possui uma base firme. Certifique-se de que ninguém está por baixo quando usa a ferramenta em locais elevados.**
7. **Não toque no bordo cortante ou na peça de trabalho imediatamente após a operação. Podem estar extremamente quentes e queimar a sua pele.**
8. **Evite cortar fios elétricos. Pode causar acidentes graves devido a choque elétrico.**
9. **Segure sempre a barra roscada durante e após o corte, de modo a evitar que a barra roscada cortada caia.** Uma barra roscada cortada pode causar lesões físicas graves se cair de um local alto.
10. **Mantenha uma distância segura entre o seu corpo e as peças em movimento. Não utilize a ferramenta se a área de trabalho for demasiado estreita para manter uma distância de segurança.**
11. **Nunca deixe a ferramenta num local alto ou numa superfície potencialmente instável.**

## GUARDE ESTAS INSTRUÇÕES.

**AVISO:** NÃO permita que o conforto ou a familiaridade com o produto (adquirido com o uso repetido) substitua a adesão estrita às regras de segurança da ferramenta.

A MÁ INTERPRETAÇÃO ou o não seguimento das regras de segurança estabelecidas neste manual de instruções pode causar danos pessoais graves.

## Instruções de segurança importantes para a bateria

1. **Antes de utilizar a bateria, leia todas as instruções e etiquetas de precaução no (1) carregador de bateria (2) bateria e (3) produto que utiliza a bateria.**
2. **Não abra a bateria.**
3. **Se o tempo de funcionamento se tornar excessivamente curto, pare o funcionamento imediatamente. Pode resultar em sobreaquecimento, possíveis queimaduras e mesmo explosão.**



4. Se entrar eletrólito nos seus olhos, lave-os com água e consulte imediatamente um médico. Pode resultar em perda de visão.
5. Não coloque a bateria em curto-circuito:
  - (1) Não toque nos terminais com qualquer material condutor.
  - (2) Evite guardar a bateria juntamente com outros objetos metálicos tais como pregos, moedas, etc.
  - (3) Não exponha a bateria à água ou chuva. Um curto-circuito pode ocasionar um enorme fluxo de corrente, sobreaquecimento, possíveis queimaduras e mesmo estragar-se.
6. Não guarde a ferramenta e a bateria em locais onde a temperatura pode atingir ou exceder 50°C.
7. Não queime a bateria mesmo que esteja estragada ou completamente gasta. A bateria pode explodir no fogo.
8. Tenha cuidado para não deixar cair ou dar pancadas na bateria.
9. Não utilize uma bateria danificada.
10. As baterias de iões de lítio contidas na ferramenta são sujeitas aos requisitos da DGL (Dangerous Goods Legislation - Legislação de bens perigosos).  
Para o transporte comercial, por exemplo, por terceiros ou agentes de expedição, têm de ser observados os requisitos referentes à embalagem e etiquetagem.  
Para preparação do artigo a ser expedido, é necessário consultar um perito em materiais perigosos. Tenha ainda em conta a possibilidade de existirem regulamentos nacionais mais detalhados.  
Coloque fita-cola ou tape os contactos abertos e embale a bateria de tal forma que não possa mover-se dentro da embalagem.
11. Siga os regulamentos locais relacionados com a eliminação de baterias.
12. Utilize as baterias apenas com os produtos especificados pela Makita. Instalar as baterias em produtos não-conformes poderá resultar num incêndio, calor excessivo, explosão ou fuga de eletrólito.

## GUARDE ESTAS INSTRUÇÕES.

**⚠️PRECAUÇÃO:** Utilize apenas baterias genuínas da Makita. A utilização de baterias não genuínas da Makita ou de baterias que foram alteradas, pode resultar no rebentamento da bateria provocando incêndios, ferimentos pessoais e danos. Além disso, anulará da garantia da Makita no que se refere à ferramenta e ao carregador Makita.

## Conselhos para manter a máxima vida útil da bateria

1. Carregue a bateria antes que esteja completamente descarregada. Pare sempre o funcionamento da ferramenta e carregue a bateria quando notar menos poder na ferramenta.
2. Nunca carregue uma bateria completamente carregada. Carregamento excessivo diminui a vida útil da bateria.
3. Carregue a bateria à temperatura ambiente de 10°C – 40°C. Deixe que uma bateria quente arrefeça antes de a carregar.
4. Carregue a bateria se não a utilizar durante um longo período de tempo (mais de seis meses).

## DESCRIÇÃO DAS PEÇAS

► Fig.1

1	Montagem estacionária	2	Montagem móvel	3	Molde de corte	4	Perno
5	Gancho	6	Base da alça de ombro (para acessório opcional)	7	Chave hexagonal	8	Lâmpada (interior)
9	Face frontal	10	Gatilho do interruptor	11	Alavanca do interruptor de inversão	12	Guia da barra
13	Escala guia	14	Parafuso de fixação	15	Tampa	-	-

## DESCRIÇÃO FUNCIONAL

**⚠️ PRECAUÇÃO:** Certifique-se sempre de que a ferramenta está desligada e a bateria foi retirada antes de regular ou verificar qualquer função na ferramenta.

### Instalação ou remoção da bateria

**⚠️ PRECAUÇÃO:** Desligue sempre a ferramenta antes de colocar ou retirar a bateria.

**⚠️ PRECAUÇÃO:** Segure firmemente a ferramenta e a bateria quando instalar ou remover a bateria. Se não segurar firmemente a ferramenta e a bateria pode fazer com que escorreguem das suas mãos resultando em danos na ferramenta e na bateria e ferimentos pessoais.

► **Fig.2:** 1. Indicador vermelho 2. Botão 3. Bateria

Para retirar a bateria, deslize-a para fora da ferramenta enquanto desliza o botão na frente da bateria.

Para instalar a bateria, alinhe a lingueta da bateria com a ranhura no compartimento e deslize-a no lugar. Empurre-a até o fim para que a mesma encaixe no lugar com um clique. Se puder ver a parte vermelha no lado superior do botão, significa que não está completamente bloqueada.

**⚠️ PRECAUÇÃO:** Instale sempre a bateria até ao fim, até deixar de ver o indicador vermelho.

Caso contrário, a bateria poderá cair da ferramenta acidentalmente e provocar ferimentos em si mesmo ou em alguém próximo.

**⚠️ PRECAUÇÃO:** Não instale a bateria à força. Se a bateria não deslizar facilmente é porque não foi colocada corretamente.

### Sistema de proteção da ferramenta/bateria

A ferramenta está equipada com um sistema de proteção da ferramenta/bateria. Este sistema corta automaticamente a corrente ao motor para prolongar a vida útil da ferramenta e da bateria. A ferramenta para automaticamente durante o funcionamento se a ferramenta ou a bateria se encontrarem numa das seguintes condições. Nalgumas condições, a luz indicadora acende.

### Proteção contra sobrecarga

Quando a ferramenta é utilizada de tal forma que puxa uma corrente demasiado elevada, a ferramenta para automaticamente sem qualquer indicação. Nesta situação, desligue a ferramenta e pare a aplicação que provocou a sobrecarga da ferramenta. Depois, volte a ligar a ferramenta para voltar ao trabalho.

**NOTA:** A proteção contra sobrecarga ativa quando tenta cortar os seguintes tipos de barras roscadas.

- Uma barra roscada que é maior do que a dimensão dos moldes de corte.
- Uma barra roscada que é mais dura do que a capacidade de corte dos moldes de corte.

### Proteção contra sobreaquecimento

Quando a ferramenta sobreaquece, a ferramenta para automaticamente e a luz LED fica intermitente. Deixe a ferramenta arrefecer antes de ligá-la novamente.

### Proteção contra descarga excessiva








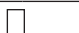









Quando a capacidade da bateria é baixa, a ferramenta para automaticamente. Se o produto não funcionar mesmo quando os interruptores são acionados, retire as baterias da ferramenta e carregue-as.

### Indicação da capacidade restante da bateria

**Apenas para baterias com indicador**

► **Fig.3:** 1. Luzes indicadoras 2. Botão de verificação

Prima o botão de verificação na bateria para indicar a capacidade restante da bateria. As luzes indicadoras acendem durante alguns segundos.

Luzes indicadoras			Capacidade restante
 Aceso	 Apagado	 A piscar	
			75% a 100%
			50% a 75%
			25% a 50%
			0% a 25%
			Carregar a bateria.
			A bateria pode estar avariada.
			

**NOTA:** Dependendo das condições de utilização e da temperatura ambiente, a indicação pode ser ligeiramente diferente da capacidade real.

### Ação do interruptor

**⚠️ PRECAUÇÃO:** Antes de colocar a bateria na ferramenta, verifique sempre se o gatilho do interruptor funciona corretamente e volta para a posição "OFF" quando libertado.

Para iniciar a operação de corte, continue a puxar o gatilho do interruptor. O molde de corte na montagem móvel sobrepõe-se ao molde na montagem estacionária e, em seguida, retorna. Se soltar o gatilho do interruptor antes de concluir o corte, os moldes de corte para.

► **Fig.4:** 1. Gatilho do interruptor

► **Fig.5:** 1. Montagem estacionária 2. Molde de corte 3. Montagem móvel

**OBSERVAÇÃO:** Não opere a ferramenta sem carga desnecessariamente.

## Função do paragem automática

Ao continuar a puxar o gatilho do interruptor, o mordente dos moldes fecha uma vez e retorna à posição totalmente aberta e, em seguida, para. Solte o gatilho e puxe-o novamente para iniciar a sequência de corte seguinte.

### Alavanca do interruptor de inversão

**AVISO:** Quando não estiver a utilizar a ferramenta, regule sempre a alavanca do interruptor de inversão para a posição de bloqueio.

**PRECAUÇÃO:** Assegure sempre a posição correta da alavanca do interruptor de inversão antes de utilizá-la.

**OBSERVAÇÃO:** Não mova a alavanca do interruptor de inversão quando estiver a puxar o gatilho do interruptor. Isto pode causar danos na ferramenta.

Para iniciar a operação de corte, regule a alavanca do interruptor de inversão para a posição de corte. Para inverter a sequência de corte, regule a alavanca do interruptor de inversão para a posição de inversão. Ao continuar a puxar o gatilho do interruptor, o mordente dos moldes de corte abre e para na posição totalmente aberta. Para bloquear o gatilho do interruptor, regule a alavanca do interruptor de inversão para a posição de bloqueio. O gatilho do interruptor não pode ser puxado nesta posição.

► **Fig.6:** 1. Alavanca do interruptor de inversão  
2. Posição de corte 3. Posição de bloqueio  
4. Posição de inversão

**OBSERVAÇÃO:** Quando a alavanca do interruptor de inversão estiver na posição de inversão, utilize a ferramenta apenas conforme necessário. Para evitar danos na ferramenta, a ferramenta para automaticamente quando é utilizada continuamente na posição de inversão.

**NOTA:** Após realizar o corte, se soltar o gatilho do interruptor enquanto o mordente dos moldes de corte estiver a abrir e, em seguida, regular a alavanca do interruptor de inversão para a posição de inversão, o mordente fecha uma vez e, em seguida, abre quando puxar novamente o gatilho do interruptor.

### Luz LED

**PRECAUÇÃO:** Não olhe para a luz ou para a fonte de iluminação diretamente.

Puxe o gatilho do interruptor para acender a lâmpada. A luz continua acesa enquanto o gatilho do interruptor estiver a ser puxado. A lâmpada apaga aproximadamente 15 segundos após soltar o gatilho do interruptor.

► **Fig.7:** 1. Lâmpada (interior)

**NOTA:** Utilize um pano seco para limpar a sujidade da lente da lâmpada. Tenha cuidado para não riscar a lente da lâmpada ou a iluminação pode ficar enfraquecida.

**NOTA:** Quando a ferramenta sobreaquece, a lâmpada fica intermitente. Neste caso, deixe a ferramenta arrefecer.

## Escala guia

Utilize a escala guia se pretender cortar barras rosçadas com o mesmo comprimento. Insira a escala guia no orifício, conforme ilustrado na figura.

► **Fig.8:** 1. Escala guia 2. Parafuso de fixação

Alinhe o valor do comprimento pretendido na escala guia com a linha de corte. Em seguida, aperte o parafuso de fixação.

► **Fig.9:** 1. Escala guia 2. Linha de corte 3. Parafuso de fixação

**PRECAUÇÃO:** Não segure a escala guia para transportar ou manusear a ferramenta. A ferramenta pode cair e causar lesões físicas e/ou danos na ferramenta.

## Guia da barra

Para realizar um corte preciso, regule a guia da barra na posição correta, dependendo do diâmetro da barra rosçada a ser cortada.

► **Fig.10:** 1. Guia da barra (posição 1) 2. Guia da barra (posição 2)

Existem duas posições da guia da barra.

Posição	Tamanho da barra rosçada
1	W3/8, 3/8-16UNC, M10
2	W5/16, W1/4, 5/16-18UNC, 1/4-20UNC, M8, M6

## Gancho

**PRECAUÇÃO:** Nunca enganche a ferramenta num local ventoso ou numa superfície potencialmente instável.

**PRECAUÇÃO:** Não utilize o gancho quando estiver deformado ou danificado.

**PRECAUÇÃO:** Quando não estiver a utilizar a ferramenta, dobre sempre o gancho.

O gancho é conveniente para pendurar a ferramenta temporariamente.

► **Fig.11:** 1. Gancho

**PRECAUÇÃO:** Não pendure o gancho no cinto. Pode resultar em lesões físicas e/ou danos na ferramenta, caso caia.

► **Fig.12**

## Armazenamento da chave hexagonal

Quando não a estiver a utilizar, guarde a chave hexagonal como indicado na figura para não a perder.

► **Fig.13:** 1. Chave hexagonal

## Alça de ombro

### Acessório opcional

A alça de ombro é útil para transportar a ferramenta.

- **Fig.14:** 1. Alça de ombro 2. Extremidade do cinto  
3. Fivela

**⚠PRECAUÇÃO:** Use sempre a alça de ombro cruzada sobre o corpo e ajustada no comprimento adequado.

**⚠PRECAUÇÃO:** Não utilize a alça de ombro se estiver danificada.

**⚠PRECAUÇÃO:** Deixe um comprimento suficiente entre a fivela e a extremidade do cinto para evitar que a extremidade do cinto deslize através da fivela.

## MONTAGEM

**⚠PRECAUÇÃO:** Certifique-se sempre de que a ferramenta está desligada e a bateria retirada antes de executar qualquer trabalho na ferramenta.

### Instalar os moldes de corte

**⚠PRECAUÇÃO:** Instale sempre os moldes de corte nos sentidos corretos e fixos firmemente. A fixação incorreta ou solta pode causar a quebra dos moldes de corte, resultando em lesões físicas devido a frações projetadas.

**OBSERVAÇÃO:** Remova a rebarba nos moldes de corte utilizando uma lima, caso necessário.

1. Verifique se o mordente nos moldes de corte está totalmente aberto. Caso contrário, instale a bateria e puxe o gatilho do interruptor até o mordente estar totalmente aberto.

**⚠PRECAUÇÃO:** Certifique-se de que remove a bateria, caso instalada.

2. Regule a alavanca do interruptor de inversão para a posição de bloqueio.

- **Fig.15:** 1. Alavanca do interruptor de inversão

3. Desaparafuse os pernos com a chave hexagonal fornecida.

**⚠PRECAUÇÃO:** Utilize apenas a chave da Makita fornecida com a ferramenta. O recurso a outras chaves pode resultar no aperto excessivo ou insuficiente que causa lesões físicas.

4. Regule os moldes de corte nas montagens, de modo a poder ver as duas marcações coloridas.

- **Fig.16:** 1. Perno 2. Molde de corte 3. Montagem estacionária 4. Montagem móvel  
5. Marcação colorida 6. Chave hexagonal

5. Fixe os moldes de corte com os pernos firmemente.

Os moldes de corte está instalado corretamente se as setas neste apontarem uma para a outra. As dimensões dos moldes de corte são iguais mas a sua espessura parece diferente quando vista de cima.

- **Fig.17:** 1. Seta 2. Molde de corte 3. Lado fino  
4. Lado grosso

## OPERAÇÃO

**⚠PRECAUÇÃO:** Verifique se os moldes de corte do tamanho correto estão instalados na ferramenta. Verifique a capacidade de corte inscrita nos moldes de corte antes de realizar o corte.

**⚠PRECAUÇÃO:** Antes de puxar o gatilho do interruptor, certifique-se de que regula a barra roscada, de modo que a respetiva rosca encaixe com as roscas dos moldes de corte. O alinhamento incorreto das roscas pode partir os moldes de corte e causar lesões físicas devido a frações projetadas.

**⚠PRECAUÇÃO:** Substitua os moldes de corte se o bordo cortante estiver lascado ou deformado.

Ao cortar, coloque a barra roscada perpendicularmente à linha de corte, conforme ilustrado na figura.

- **Fig.18:** 1. Linha de corte

**NOTA:** Quando cortar uma barra roscada fabricada em metal dúctil como, por exemplo, aço inoxidável, podem ser geradas rebarbas na extremidade de corte. Neste caso, remova as rebarbas com uma lima.

- **Fig.19:** 1. Barra roscada 2. Rebarba

### Cortar barras roscadas fixas

Quando realizar o corte de uma barra roscada fixa na estrutura do edifício como, por exemplo, o teto, a parede, o piso, etc., siga o procedimento seguinte:

- **Fig.20:** 1. Barra roscada 2. Molde de corte na montagem estacionária

1. Coloque a ferramenta de modo que a barra roscada fique posicionada entre os moldes de corte.
2. Enquanto a barra roscada encosta na guia da barra, encaixe a rosca da barra com a rosca do molde de corte na montagem estacionária.
3. Puxe e mantenha o gatilho do interruptor puxado até concluir o corte e o mordente dos moldes de corte alcançar a posição totalmente aberta.

**OBSERVAÇÃO:** Limpe a face frontal da ferramenta e a ponta da escala guia antes da operação. Estas podem sujar a superfície de contacto.

## Cortar barras roscadas soltas

Quando realizar o corte de uma barra roscada solta no piso ou numa bancada de trabalho, siga o procedimento seguinte:

► **Fig.21:** 1. Barra roscada 2. Molde de corte na montagem estacionária

1. Posicione a barra roscada entre os moldes de corte.
2. Enquanto a barra roscada encosta na guia da barra, encaixe a rosca da barra com a rosca do molde de corte na montagem estacionária.
3. Puxe e mantenha o gatilho do interruptor puxado até concluir o corte e o mordente dos moldes de corte alcançar a posição totalmente aberta.

Quando realizar o corte de uma barra roscada comprida difícil de segurar com a mão, coloque a ferramenta conforme ilustrado. A ferramenta pode ser colocada na horizontal. A tampa também pode ser utilizada para suportar a extremidade da barra roscada.

► **Fig.22:** 1. Tampa (posição 1) 2. Guia da barra (posição 1) 3. Tampa (posição 2) 4. Guia da barra (posição 2)

A tampa possui marcações para indicar a respetiva posição. Dependendo do tamanho da barra roscada, coloque a tampa na posição conforme ilustrado na tabela, bem como a guia da barra.

Posição	Tamanho da barra roscada
1	W3/8, 3/8-16UNC, M10
2	W5/16, W1/4, 5/16-18UNC, 1/4-20UNC, M8, M6

## Desistir do corte a meio

**⚠PRECAUÇÃO:** Nunca tente retirar a ferramenta da barra roscada à força. Pode causar o arranque inadvertido que causa lesões físicas ou danos nos moldes de corte e na ferramenta.

Quando desistir do corte a meio, regule a alavanca do interruptor de inversão para a posição de inversão e puxe o gatilho do interruptor até a barra roscada soltar-se completamente dos moldes de corte.

## MANUTENÇÃO

**⚠PRECAUÇÃO:** Certifique-se sempre de que a ferramenta se encontra desligada e de que a bateria foi retirada antes de executar qualquer inspeção ou manutenção.

**OBSERVAÇÃO:** Nunca utilize gasolina, benzina, diluente, álcool ou produtos semelhantes. Pode ocorrer a descoloração, deformação ou rachaduras.

## Substituir os moldes de corte

**OBSERVAÇÃO:** Substitua os dois moldes de corte simultaneamente. Substituir um lado do molde de corte pode gerar rebarbas na barra roscada.

Substitua os moldes de corte quando estiver lascado, deformado ou o corte se torna cego. Para substituir, siga as instruções em "Instalar os moldes de corte".

► **Fig.23:** 1. Lascas 2. Deformação

Um molde de corte possui dois bordos cortantes e o lado grosso e o lado fino. Troque as posições de instalação dos moldes de corte se não utilizou os outros lados dos bordos cortantes.

► **Fig.24:** 1. Bordo cortante 2. Lado fino 3. Lado grosso

## Transportar/guardar a ferramenta

**⚠PRECAUÇÃO:** Quando a ferramenta não for utilizada, coloque sempre a tampa fornecida à parte de corte.

Coloque a tampa quando transportar a ferramenta. Quando guardar a ferramenta, remova a bateria e a escala guia da ferramenta. Limpe o pó nos moldes de corte e na peça em movimento. Em seguida, prenda a tampa.

► **Fig.25:** 1. Tampa

Para manter a SEGURANÇA e a FIABILIDADE do produto, as reparações e qualquer outra manutenção ou ajuste devem ser levados a cabo pelos centros de assistência Makita autorizados ou pelos centros de assistência de fábrica, utilizando sempre peças de substituição Makita.

## ACESSÓRIOS OPCIONAIS

**⚠PRECAUÇÃO:** Estes acessórios ou peças são recomendados para utilização com a ferramenta Makita especificada neste manual. A utilização de outros acessórios ou peças pode ser perigosa para as pessoas. Utilize apenas acessórios ou peças para os fins indicados.

Se necessitar de informações adicionais relativas a estes acessórios, solicite-as ao seu centro de assistência Makita.

- Moldes de corte
- Alça de ombro
- Bateria e carregador genuínos da Makita

**NOTA:** Alguns itens da lista podem estar incluídos na embalagem da ferramenta como acessórios padrão. Eles podem variar de país para país.

## SPECIFIKATIONER

Model:		DSC102
Skærekapaciteter	Smedestål	W3/8, W5/16, W1/4, 3/8-16UNC, 5/16-18UNC, 1/4-20UNC, M10, M8, M6
	Rustfrit stål	W3/8, 5/16-18UNC, M8, M6
Længde		199 mm
Mærkespænding		D.C. 18 V D.C. 14,4 V
Vægt		2,8 - 3,2 kg

- På grund af vores kontinuerlige forsknings- og udviklingsprogrammer kan hosstående specifikationer blive ændret uden varsel.
- Specifikationer kan variere fra land til land.
- Vægten kan være anderledes afhængigt af tilbehøret, inklusive akkuen. Den letteste og tungeste kombination i henhold til EPTA-procedure 01/2014 er vist i tabellen.

## Anvendelig akku og oplader







Akku	14,4 V DC-model	BL1415N / BL1430 / BL1430B / BL1440 / BL1450 / BL1460B
	18 V DC-model	BL1815N / BL1820 / BL1820B / BL1830 / BL1830B / BL1840 / BL1840B / BL1850 / BL1850B / BL1860B
Oplader		DC18RC / DC18RD / DC18RE / DC18SD / DC18SE / DC18SF

- Nogle af de akkuer og opladere, der er angivet ovenfor, er muligvis ikke tilgængelige, afhængigt af hvilket område du bor i.

**⚠ ADVARSEL: Brug kun de akkuer og opladere, der er angivet ovenfor. Brug af andre akkuer og opladere kan medføre personskaade og/eller brand.**

## Symboler

Følgende viser de symboler, der anvendes til udstyret. Vær sikker på, at De forstår betydningen af symbolerne før brugen.

	Læs brugsanvisningen.
	Bær sikkerhedsbriller.
	Undlad at berøre skærematricerne under arbejdet.
	Vær opmærksom på en skåret gevindstang.
	Hold ansigtet på afstand af maskinen under brugen.
	Kun for lande inden for EU Bortskaf ikke elektrisk udstyr eller akkuen sammen med almindeligt husholdningsaffald! I overensstemmelse med EU-direktiverne vedrørende Affald af elektrisk og elektronisk udstyr samt Batterier og akkumulatører og Batteri- og akkumulatøraftald og deres anvendelse i overensstemmelse med nationale love skal elektrisk udstyr og batterier og batteripakker, der har nået slutningen af deres levetid, indsamles separat og returneres til en miljøvenlig genbrugsstation.

## Tilsigtet anvendelse

Maskinen er beregnet til at skære i gevindstænger.

## Lyd

Det typiske A-vægtede støjniveau bestemt i overensstemmelse med EN62841-2-8:

Lydtryksniveau ( $L_{pA}$ ): 71 dB (A)

Usikkerhed (K): 3 dB (A)

Støjniveauet under arbejdet kan overskride 80 dB (A).

**⚠ ADVARSEL: Bær høreværn.**

## Vibration

Vibrationens totalværdi (tre-aksial vektorsum) bestemt i overensstemmelse med EN62841-2-8:

Arbejdstilstand: skæring i gevindstang af rustfrit stål (størrelse af stang W3/8)

Vibrationsemission ( $a_{hv}$ ): 2,5  $m/s^2$  eller mindre  
Usikkerhed (K): 1,5  $m/s^2$

**BEMÆRK:** Den angivne vibrationsemissionsværdier blevet målt i overensstemmelse med standardtestmetoden og kan anvendes til at sammenligne et værktøj med et andet.

**BEMÆRK:** Den angivne vibrationsemissionsværdien kan også anvendes i en præliminær eksponeringsvurdering.

**⚠ ADVARSEL:** Vibrationsemissionen under den faktiske anvendelse af værktøjet kan være forskellig fra den erklærede emissionsværdi, afhængigt af den måde, hvorpå værktøjet anvendes.

**⚠ ADVARSEL:** Sørg for at identificere de sikkerhedsforskrifter til beskyttelse af operatøren, som er baseret på en vurdering af eksponering under de faktiske brugsforhold (med hensyntagen til alle dele i brugscyklussen, f.eks. de gange, hvor værktøjet er slukket, og når det kører i tomgang i tilgift til afbrydertiden).

## EU-overensstemmelseserklæring

### Kun for lande i Europa

EU-overensstemmelseserklæringen er inkluderet som Bilag A i denne brugsanvisning.

## SIKKERHEDSADVARSLER

### Almindelige sikkerhedsregler for el-værktøj

**⚠ ADVARSEL:** Læs alle de sikkerhedsadvarsler, instruktioner, illustrationer og specifikationer, der følger med denne maskine. Forsømmelse af at overholde alle nedenstående instruktioner kan medføre elektrisk stød, brand og/eller alvorlig personskade.

### Gem alle advarsler og instruktioner til fremtidig reference.

Ordet "el-værktøj" i advarselne henviser til det netforsynede (netledning) el-værktøj eller batteriforsynede (akku) el-værktøj.

### Sikkerhedsadvarsler for akku gevindstangsklipper

1. Hold godt fast i maskinen.
  2. Fastgør arbejdsmønt forsvarligt.
  3. Hold ansigtet og hænderne væk fra bevægelige dele. Under skæring kan en del af gevindstangen flyve bort.
  4. Bær altid beskyttelsehandsker, når du håndterer gevindstænger. Kanter og spåner fra arbejdsmønt er skarpe.
  5. Undlad at placere maskinen på spåner fra arbejdsmønt. Ellers kan dette medføre beskadigelse og problemer med maskinen.
  6. Sørg altid for, at du har et godt fodfæste. Vær sikker på, at der ikke befinder sig nogen under dig, når maskinen anvendes på højtliggende steder.
  7. Rør ikke ved skærekanten eller arbejdsmønt umiddelbart efter brugen. De kan være meget varme og kan brænde huden.
  8. Undgå at skære i elektriske ledninger. Dette kan forårsage en alvorlig ulykke pga. elektrisk stød.
  9. Hold altid fast i gevindstangen under og efter klippingen for at forhindre, at den afskårne gevindstang falder af. En afskåret gevindstang kan forårsage alvorlig personskade, hvis den falder fra stor højde.
10. Hold en sikker afstand mellem dig selv og de bevægelige dele. Undlad at betjene maskinen, hvis arbejdsområdet er for smalt til at opretholde en sikker afstand.
  11. Efterlad aldrig maskinen på et højtliggende sted eller på en potentielt ustabil overflade.

## GEM DENNE BRUGSANVISNING.

**⚠ ADVARSEL:** LAD IKKE bekvemmelighed eller kendskab til produktet (opnået gennem gentagen brug) forhindre, at sikkerhedsforskrifterne for produktet nøje overholdes.

MISBRUG eller forsømmelse af at følge de i denne brugsvejledning givne sikkerhedsforskrifter kan føre til, at De kommer alvorligt til skade.

### Vigtige sikkerhedsinstruktioner for akku

1. Læs alle instruktioner og advarselmærkater på (1) akku-opladeren, (2) akkuen og (3) produktet, som anvender akku.
2. Lad være med at skille akkuen ad.
3. Hold straks op med anvendelsen, hvis brugstiden er blevet stærkt afkortet. Fortsat anvendelse kan resultere i risiko for overophedning, forbrændinger og endog eksplosion.
4. Hvis De har fået elektrolytvæske i øjnene, skal De straks skylle den ud med rent vand og derefter øjeblikkeligt søge lægehjælp. I modsat fald kan De miste synet.
5. Vær påpasselig med ikke at komme til at kortslutte akkuen:
  - (1) Rør ikke ved terminalerne med noget ledende materiale.
  - (2) Undgå at opbevare akkuen i en beholder sammen med andre genstande af metal, for eksempel søm, mønter og lignende.
  - (3) Udsæt ikke akkuen for vand eller regn. Kortslutning af akkuen kan forårsage en kraftig øgning af strømmen, overophedning, mulige forbrændinger og endog værktøjstop.
6. Opbevar ikke værktøjet og akkuen på et sted, hvor temperaturen kan nå eller overstige 50 °C.
7. Lad være med at brænde akkuen, selv ikke i tilfælde, hvor den har lidt alvorlig skade eller er fuldstændig udtjent. Akkuen kan eksplodere, hvis man forsøger at brænde den.
8. Lad være med at brænde akkuen eller udsætte den for stød.
9. Anvend ikke en beskadiget akku.
10. De indbyggede litium-ion-batterier er underlagt lovkrav vedrørende farligt gods. Ved kommerciel transport, f.eks. af tredjeparts transportselskaber, skal særlige krav til forpakning og mærkning overholdes. Ved forberedelse af udstyret til forsendelse skal du kontakte en ekspert i farligt gods. Overhold også eventuel mere detaljeret national lovgivning. Tape eller tildæk åbne kontakter, og pak batteriet på en måde, så det ikke kan flytte sig rundt i pakningen.
11. Følg de lokale love vedrørende bortskaffelsen af batterier.



12. **Brug kun batterierne med de produkter, som Makita specificerer.** Hvis batterierne installeres i ikke-kompatible produkter, kan det medføre brand, kraftig varme, eksplosion eller udsivning af elektrolyt.

## GEM DENNE BRUGSANVISNING.

**⚠FORSIGTIG: Brug kun originale batterier fra Makita.** Brug af uoriginale Makita-batterier, eller batterier som er blevet ændret, kan muligvis medføre brud på batteriet, hvilket kan forårsage brand, personskade eller beskadigelse. Det ugyldiggør også Makita-garantien for Makita-maskinen og opladeren.

## Tips til opnåelse af maksimal akku-levetid

1. **Oplad akkuen, inden den er helt afladet. Stop altid værktøjet, og oplad akkuen, hvis De bemærker, at værktøjeffekten er aftagende.**
2. **Genoplad aldrig en fuldt opladet akku. Overopladning vil afkorte akkuens levetid.**
3. **Oplad akkuen ved stuetemperatur ved 10 °C - 40 °C. Lad altid en varm akku få tid til at køle af, inden den oplades.**
4. **Oplad akkuen, hvis De ikke skal bruge den i længere tid (mere end seks måneder).**

## BESKRIVELSE AF DELENE

### ► Fig.1

1	Stationær montering	2	Bevægelig montering	3	Skærematrice	4	Bolt
5	Krog	6	Montering af skuldersele (til ekstraudstyr)	7	Sekskantnøgle	8	Lampe (indvendig)
9	Frontplade	10	Afbryderknap	11	Returvælger	12	Stangguide
13	Dybdeskala	14	Spændeskruer	15	Dæksel	-	-

## FUNKTIONSBESKRIVELSE

**⚠FORSIGTIG: Sørg altid for at maskinen er slukket, og at akkuen er taget ud, før der udføres justering eller kontrol af funktioner på maskinen.**

### Isætning eller fjernelse af akkuen

**⚠FORSIGTIG: Sluk altid for værktøjet, før De monterer eller fjerner akkuen.**

**⚠FORSIGTIG: Hold værktøjet og akkuen fast ved montering eller fjernelse af akkuen.** Hvis De ikke holder værktøjet og akkuen fast, kan de glide ud af hænderne på Dem og forårsage beskadigelse af værktøjet og akkuen eller personskade.

### ► Fig.2: 1. Rød indikator 2. Knap 3. Akku

Akkuen fjernes ved, at De trækker den ud af værktøjet, idet De skyder knappen på forsiden af akkuen i stilling.

Akkuen monteres ved, at De sætter tungen på akkuen ud for noten i kabinettet og lader den glide på plads. Sæt den hele vejen ind, så den låses ud af værktøjet ved et lille klik. Hvis den røde indikator på oversiden af knappen er synlig, betyder det, at den ikke er tilstrækkeligt låst.

**⚠FORSIGTIG: Monter altid akkuen helt, indtil den røde indikator ikke længere er synlig.** Hvis dette ikke gøres, kan den falde ud af værktøjet ved et uheld, hvorved De selv eller personer i nærheden kan komme til skade.

**⚠FORSIGTIG: Brug ikke magt ved montering af akkuen.** Hvis akkuen ikke glider på plads uden problemer, betyder det, at den ikke sættes i på korrekt vis.

## Beskyttelsessystem til værktøj/batteri

Værktøjet er forsynet med et beskyttelsessystem til værktøj/batteri. Dette system afbryder automatisk strømmen til motoren for at forlænge levetiden for værktøjet og batteriet. Værktøjet stopper automatisk under driften, hvis det eller batteriet kommer i en af følgende situationer. I nogle tilfælde lyser indikatorerne.

### Overbelastningsbeskyttelse

Når værktøjet betjenes på en måde, der får den til at bruge unormalt meget strøm, stopper værktøjet automatisk uden indikation. Sluk i så fald for værktøjet, og stop den anvendelse, der bevirkede, at værktøjet blev overbelastet. Tænd derefter for værktøjet for at starte igen.

**BEMÆRK:** Overbelastningsbeskyttelse aktiveres, hvis du forsøger at skære i følgende typer gevindstænger.

- En gevindstang, der er større end skærematricernes størrelse.
- En gevindstang, der er hårdere end skærematricernes skærekapacitet.

### Beskyttelse mod overophedning

Hvis maskinen er overophedet, stopper maskinen automatisk, og LED-lampen blinker. Lad maskinen køle ned, før der tændes for maskinen igen.

### Beskyttelse mod afladning

Når batteriladningen bliver for lav, stopper værktøjet automatisk. Hvis produktet ikke fungerer, selvom kontakterne betjenes, skal De tage batterierne ud af værktøjet og lade batterierne op.



## Indikation af den resterende batteriladning

**Kun til akkuer med indikatoren**

► **Fig.3:** 1. Indikatorlamper 2. Kontrolknop

Tryk på kontrolknappen på akkuen for at få vist den resterende batteriladning. Indikatorlampen lyser i nogle sekunder.

Indikatorlamper			Resterende ladning
Tændt	Slukket	Blinker	
■	□	◐	75% til 100%
■	■	■	50% til 75%
■	■	□	25% til 50%
■	□	□	0% til 25%
◐	□	□	Genoplad batteriet.
■	■	□	Der er muligvis fejl i batteriet.
□	□	■	

**BEMÆRK:** Afhængigt af brugsforholdene og den omgivende temperatur kan indikationen afvige en smule fra den faktiske ladning.

## Afbryderbetjening

**⚠FORSIGTIG:** Inden akkuen sættes i maskinen, bør De altid kontrollere, at afbryderknappen fungerer korrekt, og returnerer til "OFF"-positionen, når den slippes.

Fortsæt med at trykke på afbryderknappen for at starte skæringen. Skærematricen på den bevægelige monteringsoverlapper med matricen på den stationære monteringsoverlapper, og returnerer derefter. Hvis du slipper afbryderknappen, før skæringen er færdig, stopper skærematricerne.

► **Fig.4:** 1. Afbryderknop

► **Fig.5:** 1. Stationær monteringsoverlapper 2. Skærematrice 3. Bevægelig monteringsoverlapper

**BEMÆRKNING:** Anvend ikke maskinen unødvendigt i ubelastet tilstand.

## Automatisk stopfunktion

Hvis du fortsætter med at trykke på afbryderknappen, lukkes matricernes kæbe én gang og vender tilbage til helt åben position, hvorefter den stopper. Slip afbryderen, og tryk på den igen for at starte den næste skæresævens.

## Returvælger

**⚠ADVARSEL:** Når maskinen ikke benyttes, skal du altid sætte returvælgeren i den låste position.

**⚠FORSIGTIG:** Kontroller altid returvælgerens position før brugen.

**BEMÆRKNING:** Undlad at flytte returvælgeren, når der trykkes på afbryderknappen. Dette kan medføre beskadigelse af maskinen.

For at starte skæreooperationen skal du sætte returvælgeren i skærepositionen.

For at vende skæreooperationen skal du sætte returvælgeren i returpositionen. Hvis du fortsætter med at trykke på afbryderknappen, åbnes skærematricernes kæbe og stopper i helt åben position.

For at låse afbryderknappen skal du sætte returvælgeren i den låste position. Der kan ikke trykkes på afbryderknappen i denne position.

► **Fig.6:** 1. Returvælger 2. Skæreposition 3. Låst position 4. Returposition

**BEMÆRKNING:** Når returvælgeren er i returposition, må maskinen kun køre efter behov. For at undgå beskadigelse af maskinen stopper maskinen automatisk, når den køres kontinuerligt i returpositionen.

**BEMÆRK:** Hvis du slipper afbryderknappen efter skæring, mens skærematricernes kæbe er ved at åbnes, og derefter sætter returvælgeren i returpositionen, lukkes kæben én gang og åbnes derefter, næste gang du trykker på afbryderknappen.

## LED-lampe

**⚠FORSIGTIG:** Kig aldrig direkte på lyskilden. Lad ikke lyset falde i Deres øjne.

Tryk på afbryderknappen for at tænde lampen. Lampen bliver ved med at lyse, så længe der trykkes på afbryderknappen. Lampen slukkes, cirka 15 sekunder efter at afbryderknappen slippes.

► **Fig.7:** 1. Lampe (indvendig)

**BEMÆRK:** Brug en tør klud til at tørre snavset af lampens linse. Pas på ikke at ridse lampens linse, da dette muligvis kan dæmpe belysningen.

**BEMÆRK:** Når maskinen er overophedet, vil lampen blinke. Lad i så fald maskinen køle ned.

## Dybdeskala

Brug dybdeskalaen, hvis du vil skære gevindstænger til den samme længde. Sæt dybdeskalaen i hullet som vist på figuren.

► **Fig.8:** 1. Dybdeskala 2. Spændeskruer

Juster værdien for den ønskede længde på dybdeskalaen i forhold til snitlinjen. Tilspænd derefter spændeskruen.

► **Fig.9:** 1. Dybdeskala 2. Snitlinje 3. Spændeskruer

**⚠FORSIGTIG:** Hold ikke i dybdeskalaen for at bære eller håndtere maskinen. Maskinen kan falde af og medføre personskaade og/eller beskadigelse af maskinen.

## Stangguide

For at opnå en præcis skæring skal du indstille stangguiden i position afhængigt af diameteren af den gevindstang, der skal skæres.

► **Fig.10:** 1. Stangguide (position 1) 2. Stangguide (position 2)

Der er to positioner for stangguiden.

Position	Størrelse af gevindstang
1	W3/8, 3/8-16UNC, M10
2	W5/16, W1/4, 5/16-18UNC, 1/4-20UNC, M8, M6

## Krog

**⚠FORSIGTIG:** Sæt aldrig maskinen på krog på et blæsende sted eller på en potentielt ustabil overflade.

**⚠FORSIGTIG:** Brug ikke krogen, hvis den er deformeret eller beskadiget.

**⚠FORSIGTIG:** Fold altid krogen ind, når du ikke anvender maskinen.

Krognen er praktisk til midlertidig ophængning af maskinen.

► **Fig.11:** 1. Krog

**⚠FORSIGTIG:** Hæng aldrig krognen fra bæltet. Dette kan medføre personskade og/eller beskadigelse af maskinen, hvis den tabes.

► **Fig.12**

## Opbevaring af unbrakonøgle

Når unbrakonøglen ikke anvendes, skal den opbevares som vist på illustrationen, så den ikke bortkommer.

► **Fig.13:** 1. Unbrakonøgle

## Skuldersæle

### Ekstraudstyr

Skuldersælen er praktisk til at bære maskinen.

► **Fig.14:** 1. Skuldersæle 2. Remende 3. Spænde

**⚠FORSIGTIG:** Bær altid skuldersælen på tværs over kroppen og justeret til den rette længde.

**⚠FORSIGTIG:** Brug ikke skuldersælen, hvis den er beskadiget.

**⚠FORSIGTIG:** Lad der være tilstrækkelig afstand mellem spændet og remenden til at forhindre, at remenden glider gennem spændet.

## SAMLING

**⚠FORSIGTIG:** Sørg altid for at maskinen er slukket, og at akkuen er taget ud, før der udføres noget arbejde på maskinen.

## Montering af skærematricerne

**⚠FORSIGTIG:** Monter altid skærematricerne i de rette retninger og solidt fastgjort. Forkert eller løs montering kan medføre, at skærematricerne går i stykker, hvilket kan medføre personskade på grund af stumper, der flyver ud.

**BEMÆRKNING:** Fjern eventuelle grater på skærematricerne ved hjælp af en fil.

1. Kontroller, om kæben på skærematricerne er helt åben. Hvis det ikke er tilfældet, skal du indsætte batteriet og trykke på afbryderknappen, indtil kæben er helt åben.

**⚠FORSIGTIG:** Sørg for at fjerne akkuen, hvis du indsætter den.

2. Sæt returvælgeren i den låste position.

► **Fig.15:** 1. Returvælger

3. Skru boltene løse med den medfølgende sekskantnøgle.

**⚠FORSIGTIG:** Anvend kun den skruenøgle fra Makita, som fulgte med maskinen. Hvis du bruger andre skruenøgler, kan det medføre en for hård eller for let tilspænding med personskade til følge.

4. Sæt skærematricerne på monteringerne, så de to farvemærkninger er synlige.

► **Fig.16:** 1. Bolt 2. Skærematrice 3. Stationær montering 4. Bevægelig montering 5. Farvemærkning 6. Sekskantnøgle

5. Spænd skærematricerne med boltene godt fast.

Skærematricerne er korrekt monteret, hvis pilene på dem peger mod hinanden. Skærematricernes dimensioner er de samme, men deres tykkelse ser forskellig ud set oppefra.

► **Fig.17:** 1. Pil 2. Skærematrice 3. Tynd side 4. Tyk side

## ANVENDELSE

**⚠FORSIGTIG:** Sørg for, at den korrekte størrelse skærematrice er monteret på maskinen. Kontroller den skærekapacitet, der er skrevet på skærematricerne, før der skæres.

**⚠FORSIGTIG:** Sørg for at placere gevindstangen, så gevindet på den passer med skærematricerne, før der trykkes på afbryderknappen. Forkert justering af gevindene kan medføre, at skærematricerne går i stykker, og forårsage personskade på grund af stumper, der flyver ud.

**⚠FORSIGTIG:** Udskift skærematricerne, hvis den skærende kant er skåret eller deformeret.

Ved skæring skal gevindstangen placeres vinkelret på snitlinjen som vist i figuren.

► **Fig.18:** 1. Snitlinje

**BEMÆRK:** Hvis der skæres i en gevindstang af strækbart metal som f.eks. rustfrit stål, kan der opstå grater i den afskårne ende. Fjern i så fald grater ved hjælp af en fil.

► **Fig.19:** 1. Gevindstang 2. Grat

## Skæring af fastgjorte gevindstænger

Ved skæring i en gevindstang, som er fastgjort på bygningsstrukturen, for eksempel loft, væg, gulv osv., skal du følge nedenstående procedure:

► **Fig.20:** 1. Gevindstang 2. Skærematrice på den stationære monteringsposition

1. Placer maskinen, så gevindstangen er placeret mellem skærematricerne.
2. Når gevindstangen er i kontakt med stangguiden, skal gevindet på stangen justeres med det på skærematricen på den stationære monteringsposition.
3. Tryk på og hold afbryderknappen, indtil skæringen er færdig, og kæben på skærematricerne er i den helt åbne position.

**BEMÆRKNING:** Rengør maskinens frontplade og spidsen af dybdeskalaen inden brugen. De kan gøre kontaktfladen beskidt.

## Skæring af løse gevindstænger

Ved skæring af en løs gevindstang på gulvet eller et arbejdsbord skal du følge nedenstående procedure:

► **Fig.21:** 1. Gevindstang 2. Skærematrice på den stationære monteringsposition

1. Placer en gevindstang mellem skærematricerne.
2. Når gevindstangen er i kontakt med stangguiden, skal gevindet på stangen justeres med det på skærematricen på den stationære monteringsposition.
3. Tryk på og hold afbryderknappen, indtil skæringen er færdig, og kæben på skærematricerne er i den helt åbne position.

Ved skæring af en lang gevindstang, som er svær at holde i hånden, skal du placere maskinen som vist. Maskinen kan lægges fladt. Dækslet kan også bruges til at understøtte enden af gevindstangen.

► **Fig.22:** 1. Dæksel (position 1) 2. Stangguide (position 1) 3. Dæksel (position 2) 4. Stangguide (position 2)

Dækslet har mærker til at angive dets position.

Afhængigt af størrelsen af gevindstangen skal du placere dækslet og stangguiden i den position, der er vist i tabellen.

Position	Størrelse af gevindstang
1	W3/8, 3/8-16UNC, M10
2	W5/16, W1/4, 5/16-18UNC, 1/4-20UNC, M8, M6

## Afbrydelse af skæringen halvvejs

**⚠FORSIGTIG:** Forsøg aldrig at trække maskinen væk fra gevindstangen med magt. Den kan starte uventet og medføre personskade eller beskadigede skærematricerne og maskinen.

Når skæringen afbrydes halvvejs, skal du sætte returvælgeren i returpositionen og trykke på afbryderknappen, indtil gevindstangen er helt fri af skærematricerne.

## VEDLIGEHOLDELSE

**⚠FORSIGTIG:** Vær altid sikker på, at værktøjet er slukket, og at akkuen er taget ud, inden De begynder at udføre inspektion eller vedligeholdelse.

**BEMÆRKNING:** Anvend aldrig benzin, rensbenzin, fortynder, alkohol og lignende. Det kan medføre misfarvning, deformation eller revner.

## Udskiftning af skærematricerne

**BEMÆRKNING:** Udskift begge skærematricerne på samme tid. Hvis kun den ene side af skærematricen udskiftes, kan det medføre grater på gevindstangen.

Udskift skærematricerne, hvis de er skåret, deformeret, eller skæringen bliver sløv. Ved udskiftning følges instruktionerne under "Montering af skærematricerne".

► **Fig.23:** 1. Skåret 2. Deformeret

En skærematrice har to skærekanten og en tyk side og en tynd side. Byt om på skærematricernes monteringspositioner, hvis du ikke har brugt de andre sider af skærekanten.

► **Fig.24:** 1. Skærekant 2. Tynd side 3. Tyk side

## Transport/opbevaring af maskinen

**⚠FORSIGTIG:** Monter altid det medfølgende dæksel på den skærende del, når maskinen ikke er i brug.

Monter dækslet, når maskinen bæres. Ved opbevaring af maskinen skal du fjerne akkuen og dybdeskalaen fra maskinen. Fjern støv på skærematricerne og den bevægelige del. Monter derefter dækslet.

► **Fig.25:** 1. Dæksel

For at opretholde produktets SIKKERHED og PÅLIDELIGHED må reparation, vedligeholdelse eller justering kun udføres af et autoriseret Makita servicecenter eller fabrikksservicecenter med anvendelse af Makita reservedele.

# EKSTRAUDSTYR

**⚠️ FORSIGTIG:** Det følgende tilbehør og ekstraudstyr er anbefalet til brug med Deres Makita maskine, der er beskrevet i denne brugsanvisning. Anvendelse af andet tilbehør eller ekstraudstyr kan udgøre en risiko for personskade. Anvend kun tilbehør og ekstraudstyr til det beskrevne formål.

Hvis De behøver hjælp ved valg af tilbehør eller ønsker yderligere informationer, bedes De kontakte Deres lokale Makita servicecenter.

- Skærematricer
- Skuldersele
- Original Makita-akku og oplader

**BEMÆRK:** Nogle ting på denne liste kan være inkluderet i værktøjspakken som standardtilbehør. Det kan være forskellige fra land til land.

## ΠΡΟΔΙΑΓΡΑΦΕΣ

Μοντέλο:		DSC102
Ικανότητες κοπής	Μαλακό ασάλι	W3/8, W5/16, W1/4, 3/8-16UNC, 5/16-18UNC, 1/4-20UNC, M10, M8, M6
	Ανοξειδωτο ασάλι	W3/8, 5/16-18UNC, M8, M6
Ολικό μήκος		199 mm
Ονομαστική τάση		D.C. 18 V D.C. 14,4 V
Καθαρό βάρος		2,8 - 3,2 kg

- Λόγω του συνεχιζόμενου προγράμματος έρευνας και ανάπτυξης, οι προδιαγραφές αυτές υπόκεινται σε αλλαγές χωρίς προειδοποίηση.
- Τα τεχνικά χαρακτηριστικά μπορεί να διαφέρουν από χώρα σε χώρα.
- Το βάρος μπορεί να διαφέρει ανάλογα με τα προσαρτήματα, συμπεριλαμβάνοντας την κασέτα μπαταριών. Ο ελαφρύτερος και ο βαρύτερος συνδυασμός, σύμφωνα με τη διαδικασία ΕΡΤΑ 01/2014, παρουσιάζονται στον πίνακα.

## Ισχύουσα κασέτα μπαταριών και φορτιστής






Κασέτα μπαταρίας	Μοντέλο D.C.14,4 V	BL1415N / BL1430 / BL1430B / BL1440 / BL1450 / BL1460B
	Μοντέλο D.C.18 V	BL1815N / BL1820 / BL1820B / BL1830 / BL1830B / BL1840 / BL1840B / BL1850 / BL1850B / BL1860B
Φορτιστής		DC18RC / DC18RD / DC18RE / DC18SD / DC18SE / DC18SF

- Ορισμένες από τις κασέτες και τους φορτιστές μπαταριών που αναγράφονται παραπάνω ίσως να μην είναι διαθέσιμοι, ανάλογα με την τοποθεσία κατοικίας σας.

**⚠ ΠΡΟΕΙΔΟΠΟΙΗΣΗ:** Να χρησιμοποιείτε μόνο τις κασέτες μπαταριών και τους φορτιστές που παρατίθενται ανωτέρω. Η χρήση οποιασδήποτε άλλης κασέτας μπαταριών ή φορτιστή μπορεί να προκαλέσει τραυματισμό ή/και πυρκαγιά.

## Σύμβολα

Παρακάτω παρουσιάζονται τα σύμβολα που χρησιμοποιούνται για τον εξοπλισμό. Βεβαιωθείτε ότι κατανοείτε τη σημασία τους πριν από τη χρήση.

	Διαβάστε το εγχειρίδιο οδηγιών.
	Φοράτε γυαλιά ασφαλείας.
	Μην αγγίζετε τις κοπτικές μήτρες κατά τη διάρκεια της λειτουργίας.
	Προσέχετε τις κομμένες σπειροτομημένες ράβδους.
	Μην πλησιάζετε το πρόσωπό σας στο εργαλείο κατά τη διάρκεια της λειτουργίας.



Ni-MH  
Li-ion

Μόνο για τις χώρες της ΕΕ  
Μην απορρίπτετε ηλεκτρικό εξοπλισμό ή την μπαταρία μαζί με τα οικιακά απορρίμματα! Σύμφωνα με τις Ευρωπαϊκές Οδηγίες για τον απόβλητο ηλεκτρικό και ηλεκτρονικό εξοπλισμό και τις μπαταρίες και συσσωρευτές και τις απόβλητες μπαταρίες και συσσωρευτές και την ενσωμάτωσή τους σύμφωνα με την εθνική νομοθεσία, ο ηλεκτρικός εξοπλισμός και η μπαταρία και τα πακέτα μπαταριών που έχουν φτάσει το τέλος ζωής τους πρέπει να συλλέγονται ξεχωριστά και να επιστρέφονται σε εγκαταστάσεις περιβαλλοντικά συμβατής ανακύκλωσης.

## Προοριζόμενη χρήση

Το εργαλείο προορίζεται για την κοπή σπειροτομημένων ράβδων.

## Θόρυβος

Το τυπικό Α επίπεδο καταμετρημένου θορύβου καθορίζεται σύμφωνα με το EN62841-2-8:  
Στάθμη ηχητικής πίεσης ( $L_{pA}$ ): 71 dB (A)  
Αβεβαιότητα (K): 3 dB (A)

Η ένταση θορύβου υπό συνθήκες εργασίας μπορεί να υπερβεί τα 80 dB (A).

**⚠ ΠΡΟΕΙΔΟΠΟΙΗΣΗ:** Να φοράτε ωτοασπίδες.

## Κραδασμός

Η ολική τιμή δόνησης (άθροισμα τρι-αξονικού διανύσματος) καθορίζεται σύμφωνα με το EN62841-2-8: Είδος εργασίας: κοπή σπειροτομημένης ράβδου από ανοξείδωτο ατσάλι (μέγεθος ράβδου W3/8) Εκπομπή δόνησης ( $a_{h1}$ ): 2,5 m/s<sup>2</sup> ή λιγότερο Αβεβαιότητα (K): 1,5 m/s<sup>2</sup>

**ΠΑΡΑΤΗΡΗΣΗ:** Η δηλωμένη τιμή εκπομπής κραδασμών έχει μετρηθεί σύμφωνα με την πρότυπη μέθοδο δοκιμής και μπορεί να χρησιμοποιηθεί για τη σύγκριση ενός εργαλείου με άλλο.

**ΠΑΡΑΤΗΡΗΣΗ:** Η δηλωμένη τιμή εκπομπής κραδασμών μπορεί να χρησιμοποιηθεί και στην προκαταρκτική αξιολόγηση έκθεσης.

**⚠️ ΠΡΟΕΙΔΟΠΟΙΗΣΗ:** Η εκπομπή κραδασμών κατά τη χρήση του ηλεκτρικού εργαλείου σε πραγματικές συνθήκες μπορεί να διαφέρει από τη δηλωμένη τιμή εκπομπής ανάλογα με τον τρόπο χρήσης του εργαλείου.

**⚠️ ΠΡΟΕΙΔΟΠΟΙΗΣΗ:** Φροντίστε να λάβετε τα κατάλληλα μέτρα προστασίας του χειριστή βάσει ενός υπολογισμού της έκθεσης σε πραγματικές συνθήκες χρήσης (λαμβάνοντας υπόψη όλες τις συνιστώσες του κύκλου λειτουργίας όπως τους χρόνους που το εργαλείο είναι εκτός λειτουργίας και όταν βρίσκεται σε αδρανή λειτουργία πέραν του χρόνου ενεργοποίησης).

## Δήλωση συμμόρφωσης ΕΚ

*Μόνο για χώρες της Ευρώπης*

Η δήλωση συμμόρφωσης ΕΚ περιλαμβάνεται ως Παράρτημα Α στο παρόν εγχειρίδιο οδηγιών.

## ΠΡΟΕΙΔΟΠΟΙΗΣΕΙΣ ΑΣΦΑΛΕΙΑΣ

### Γενικές προειδοποιήσεις ασφαλείας για το ηλεκτρικό εργαλείο

**⚠️ ΠΡΟΕΙΔΟΠΟΙΗΣΗ:** Διαβάστε όλες τις προειδοποιήσεις ασφαλείας, οδηγίες, εικονογραφίες και προδιαγραφές που παρέχονται με αυτό το ηλεκτρικό εργαλείο. Η μη τήρηση όλων των οδηγιών που αναγράφονται κατωτέρω μπορεί να καταλήξει σε ηλεκτροπληξία, πυρκαγιά ή/και σοβαρό τραυματισμό.

### Φυλάξτε όλες τις προειδοποιήσεις και τις οδηγίες για μελλοντική παραπομπή.

Στις προειδοποιήσεις, ο όρος «ηλεκτρικό εργαλείο» αναφέρεται σε ηλεκτρικό εργαλείο που τροφοδοτείται από την κύρια παροχή ηλεκτρικού ρεύματος (με ηλεκτρικό καλώδιο) ή σε ηλεκτρικό εργαλείο που τροφοδοτείται από μπαταρία (χωρίς ηλεκτρικό καλώδιο).

## Προειδοποιήσεις ασφαλείας για τον φορητό κόφτη σπειροτομημένων ράβδων

1. Να κρατάτε το εργαλείο σταθερά.
2. Ασφαλίστε καλά το τεμάχιο εργασίας.
3. Να κρατάτε το πρόσωπο και τα χέρια σας μακριά από κινούμενα μέρη. Κατά τη διάρκεια της κοπής, μπορεί να εκτοξευτεί ένα κομμάτι της σπειροτομημένης ράβδου.
4. Να φοράτε πάντα γάντια κατά το χειρισμό των σπειροτομημένων ράβδων. Οι αιχμές και τα πριονίδια από το τεμάχιο εργασίας είναι αιχμηρά.
5. Μην αφήνετε το εργαλείο επάνω στα πριονίδια του τεμαχίου εργασίας. Αλλιώς μπορεί να προκληθεί ζημιά και πρόβλημα στο εργαλείο.
6. Να βεβαιώνετε πάντοτε ότι στέκεστε σταθερά. Όταν χρησιμοποιείτε το εργαλείο σε υψηλές τοποθεσίες, να βεβαιώνετε ότι δεν βρίσκεται κανένας από κάτω.
7. Μην αγγίζετε το άκρο κοπής ή το τεμάχιο εργασίας αμέσως μετά τη λειτουργία. Μπορεί να είναι εξαιρετικά ζεστά και να προκαλέσουν εγκαύματα στο δέρμα σας.
8. Αποφεύγετε να κόβετε ηλεκτρικά καλώδια. Μπορεί να προκληθεί σοβαρή ηλεκτροπληξία.
9. Να κρατάτε πάντα τη σπειροτομημένη ράβδο κατά τη διάρκεια της κοπής και μετά από αυτή, για να αποφύγετε την πτώση της κομμένης σπειροτομημένης ράβδου. Μια κομμένη σπειροτομημένη ράβδος μπορεί να προκαλέσει σοβαρό προσωπικό τραυματισμό αν πέσει από μεγάλο ύψος.
10. Φροντίστε να υπάρχει απόσταση ασφαλείας μεταξύ του σώματός σας και των κινούμενων μερών. Μη θέσετε το εργαλείο σε λειτουργία αν η περιοχή εργασίας είναι πολύ στενή για να είναι δυνατό να κρατήσετε μια απόσταση ασφαλείας.
11. Μην αφήνετε ποτέ το εργαλείο σε υψηλές τοποθεσίες ή σε δυνητικά ασταθείς επιφάνειες.

## ΦΥΛΑΞΤΕ ΤΙΣ ΟΔΗΓΙΕΣ ΑΥΤΕΣ.

**⚠️ ΠΡΟΕΙΔΟΠΟΙΗΣΗ:** ΜΗΝ επιτρέψετε στην άνεση ή στην εξοικειωσή σας με το προϊόν (που αποκτήθηκε από επανειλημμένη χρήση) να αντικαταστήσει την αυστηρή τήρηση των κανόνων ασφαλείας του παρόντος εργαλείου.

**Η ΛΑΝΘΑΣΜΕΝΗ ΧΡΗΣΗ ή η αμέλεια να ακολουθήσετε τους κανόνες ασφαλείας που διατυπώνονται στο παρόν εγχειρίδιο οδηγιών μπορεί να προκαλέσει σοβαρό προσωπικό τραυματισμό.**

## Σημαντικές οδηγίες ασφαλείας για κασέτα μπαταριών

1. Πριν χρησιμοποιήσετε την κασέτα μπαταριών, διαβάστε όλες τις οδηγίες και σημειώσεις προφύλαξης (1) στον φορητό μπαταριών, (2) στην μπαταρία και (3) στο προϊόν που χρησιμοποιεί την μπαταρία.
2. Μην αποσυναρμολογήσετε την κασέτα μπαταριών.

3. Εάν ο χρόνος λειτουργίας έχει γίνει υπερβολικά βραχύς, σταματήστε τη λειτουργία αμέσως. Αλλιώς, μπορεί να έχει ως αποτέλεσμα κίνδυνο υπερθέρμανσης, πιθανά εγκαύματα ή ακόμη και έκρηξη.
4. Εάν ηλεκτρολύτης μπει στα μάτια σας, ξεπλύνετε τα με καθαρό νερό και ζητήστε ιατρική φροντίδα αμέσως. Αλλιώς, μπορεί να έχει ως αποτέλεσμα απώλεια της όρασης σας.
5. Μην βραχυκυκλώνετε την κασέτα μπαταριών:
  - (1) Μην αγγίζετε τους πόλους με οτιδήποτε αγωγίμο υλικό.
  - (2) Αποφεύγετε να αποθηκεύετε την κασέτα μπαταριών μέσα σε ένα δοχείο μαζί με άλλα μεταλλικά αντικείμενα όπως καρφιά, νομίσματα, κλπ.
  - (3) Μην εκθέτετε την κασέτα μπαταριών στο νερό ή στη βροχή.

Ένα βραχυκύκλωμα μπαταρίας μπορεί να προκαλέσει μεγάλη ροή ρεύματος, υπερθέρμανση, πιθανά εγκαύματα ακόμη και σοβαρή βλάβη.
6. Μην αποθηκεύετε το εργαλείο και την κασέτα μπαταριών σε τοποθεσίες όπου η θερμοκρασία μπορεί να φτάσει ή να ξεπεράσει τους 50°C.
7. Μην καίτε την κασέτα μπαταριών ακόμη και εάν έχει σοβαρή ζημιά ή είναι εντελώς φθαρμένη. Η κασέτα μπαταριών μπορεί να εκραγεί στη φωτιά.
8. Προσέχετε να μη ρίξετε κάτω ούτε να χτυπήσετε την μπαταρία.
9. Μην χρησιμοποιείτε μπαταρία που έχει υποστεί ζημιά.
10. Οι μπαταρίες ιόντων λιθίου που περιέχονται υπόκεινται στις απαιτήσεις της νομοθεσίας για επικίνδυνα αγαθά.  
Για εμπορικές μεταφορές, για παράδειγμα από τρίτα μέρη, πρέπει να τηρούνται οι διαμεταφορές, οι ειδικές απαιτήσεις στη συσκευασία και η επισήμανση.

Για προετοιμασία του στοιχείου που αποστέλλεται, είναι απαραίτητο να συμβουλευτείτε έναν ειδικό για επικίνδυνα υλικά. Επίσης, τηρήστε τους πιθανούς, πιο αναλυτικούς εθνικούς κανονισμούς. Καλύψτε με αυτοκόλλητη ταινία ή κρύψτε τις ανοικτές επαφές και συσκευάστε την μπαταρία με τρόπο που να μην μπορεί να μετακινείται μέσα στη συσκευασία.

11. Τηρήστε τους τοπικούς κανονισμούς που σχετίζονται με τη διάθεση της μπαταρίας.
12. Χρησιμοποιήστε τις μπαταρίες μόνο με τα προϊόντα που καθορίζει η Makita. Αν τοποθετήσετε τις μπαταρίες σε μη συμβατά προϊόντα μπορεί να έχει ως αποτέλεσμα πυρκαγιά, υπερβολική θερμότητα, έκρηξη ή διαρροή ηλεκτρολύτη.

## ΦΥΛΑΞΤΕ ΤΙΣ ΟΔΗΓΙΕΣ ΑΥΤΕΣ.

**▲ΠΡΟΣΟΧΗ:** Να χρησιμοποιείτε μόνο γνήσιες μπαταρίες της Makita. Η χρήση μη γνήσιων μπαταριών Makita, ή μπαταριών που έχουν τροποποιηθεί, μπορεί να έχει ως αποτέλεσμα τη ρήξη της μπαταρίας, προκαλώντας πυρκαγιά, προσωπικό τραυματισμό και βλάβη. Επίσης, θα ακυρωθεί η εγγύηση της Makita για το εργαλείο και φορτιστή Makita.

## Συμβουλές για τη διατήρηση της μέγιστης ζωής μπαταρίας

1. Φορτίζετε την κασέτα μπαταριών πριν από την πλήρη αποφόρτισή της. Πάντοτε να σταματάτε τη λειτουργία του εργαλείου και να φορτίζετε την κασέτα μπαταριών όταν παρατηρείτε μειωμένη ισχύ εργαλείου.
2. Ποτέ μην επαναφορτίζετε μια πλήρως φορτισμένη κασέτα μπαταριών. Η υπερφόρτιση μειώνει την ωφέλιμη ζωή της μπαταρίας.
3. Να φορτίζετε την κασέτα μπαταριών σε θερμοκρασία δωματίου, δηλαδή στους 10°C έως 40°C. Αφήστε μια θερμή κασέτα μπαταριών να κρυώσει πριν την φορτίσετε.
4. Να φορτίζετε την κασέτα μπαταριών εάν δεν τη χρησιμοποιείτε για μεγάλη χρονική περίοδο (περισσότερο από έξι μήνες).

## ΠΕΡΙΓΡΑΦΗ ΕΞΑΡΤΗΜΑΤΩΝ

► Εικ.1

1	Σταθερή στερέωση	2	Κινητή στερέωση	3	Κοπτική μήτρα	4	Μπουλόνι
5	Γάντζος	6	Βάση μίαντα ώμου (για προαιρετικό εξάρτημα)	7	Εξαγωνικό κλειδί	8	Λυχνία (εσωτερικά)
9	Πρόσοψη	10	Σκανδάλη διακόπτης	11	Μοχλός διακόπτης αντιστροφής	12	Οδηγός ράβδου
13	Κλίμακα οδήγησης	14	Βίδα σύσφιξης	15	Κάλυμμα	-	-



## ΠΕΡΙΓΡΑΦΗ ΛΕΙΤΟΥΡΓΙΑΣ

**▲ ΠΡΟΣΟΧΗ:** Να φροντίζετε πάντα για την απενεργοποίηση του εργαλείου και την αφαίρεση της κασέτας μπαταρίας, πριν από οποιαδήποτε ρύθμιση ή έλεγχο της λειτουργίας του.

### Τοποθέτηση ή αφαίρεση της κασέτας μπαταριών

**▲ ΠΡΟΣΟΧΗ:** Να σβήνετε πάντα το εργαλείο πριν τοποθετήσετε ή αφαιρέσετε την κασέτα μπαταριών.

**▲ ΠΡΟΣΟΧΗ:** Κρατήστε το εργαλείο και την κασέτα μπαταριών σταθερά κατά την τοποθέτηση ή αφαίρεση της κασέτας μπαταριών. Εάν δεν κρατάτε το εργαλείο και την κασέτα μπαταριών σταθερά μπορεί να γλιστρήσουν από τα χέρια σας και να προκαληθεί βλάβη στο εργαλείο και την κασέτα μπαταριών και προσωπικός τραυματισμός.

► **Εικ.2:** 1. Κόκκινη ένδειξη 2. Κουμπί 3. Κασέτα μπαταριών

Για να αφαιρέσετε την κασέτα μπαταριών, ολισθήστε την από το εργαλείο ενώ σύρετε το κουμπί στο μπροστινό μέρος της κασέτας.

Για να τοποθετήσετε την κασέτα μπαταριών, ευθυγραμμίστε τη γλώσσα στην κασέτα μπαταριών με την αυλάκα στην υποδοχή και ολισθήστε τη στη θέση της. Να την τοποθετείτε πλήρως μέχρι να ασφαλίσει στη θέση της, γεγονός που υποδεικνύεται με ένα χαρακτηριστικό ήχο. Εάν μπορείτε να δείτε την κόκκινη ένδειξη στην επάνω πλευρά του κουμπιού, δεν έχει κλειδώσει τελείως.

**▲ ΠΡΟΣΟΧΗ:** Να τοποθετείτε πάντα την κασέτα μπαταριών πλήρως μέχρι να μη βλέπετε την κόκκινη ένδειξη. Εάν δεν ασφαλιστεί, μπορεί να πέσει από το εργαλείο τυχαία, προκαλώντας σωματική βλάβη σε εσάς ή κάποιον άλλο γύρω σας.

**▲ ΠΡΟΣΟΧΗ:** Μην τοποθετείτε την κασέτα μπαταριών με βία. Εάν η κασέτα δεν ολισθαίνει με ευκολία, τότε δεν έχει τοποθετηθεί κατάλληλα.

### Σύστημα προστασίας εργαλείου/ μπαταρίας

Το εργαλείο είναι εξοπλισμένο με σύστημα προστασίας εργαλείου/μπαταρίας. Αυτό το σύστημα αποκόπτει αυτόματα την ισχύ προς το μοτέρ για να παραταθεί η διάρκεια λειτουργίας του εργαλείου και της μπαταρίας. Το εργαλείο σταματάει αυτόματα κατά τη διάρκεια της λειτουργίας εάν το εργαλείο ή η μπαταρία βρεθούν κάτω από τις παρακάτω συνθήκες. Σε μερικές συνθήκες, οι ενδείξεις ανάβουν.

### Προστασία υπερφόρτωσης

Όταν το εργαλείο λειτουργεί με τρόπο ώστε να αναγκάζεται να καταναλώνει ασυνήθιστα υψηλό ρεύμα, το εργαλείο σταματάει αυτόματα χωρίς καμία ένδειξη. Σε αυτή την κατάσταση, σβήστε το εργαλείο και διακόψτε την εφαρμογή που προκαλεί την υπερφόρτωση του εργαλείου. Μετά, ενεργοποιήστε το εργαλείο για επανεκκίνηση.

**ΠΑΡΑΤΗΡΗΣΗ:** Η προστασία από την υπερφόρτωση ενεργοποιείται όταν προσπαθείτε να κόψετε τα ακόλουθα είδη σπειροτομημένων ράβδων.

- Μια σπειροτομημένη ράβδος που είναι μεγαλύτερη από το μέγεθος των κοπτικών μητρώων.
- Μια σπειροτομημένη ράβδος που είναι σκληρότερη από την κοπτική ικανότητα των κοπτικών μητρώων.

### Προστασία υπερθέρμανσης

Όταν το εργαλείο υπερθερμανθεί, το εργαλείο σταματάει αυτόματα και η λυχνία LED αναβοσβήνει. Αφήστε να μειωθεί η θερμοκρασία του εργαλείου πριν ενεργοποιήσετε ξανά το εργαλείο.

### Προστασία υπερβολικής αποφόρτισης












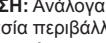
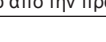




Όταν μειωθεί η χωρητικότητα μπαταρίας, το εργαλείο σταματάει αυτόματα. Εάν το προϊόν δεν τίθεται σε λειτουργία ακόμα και όταν πραγματοποιείται χειρισμός των διακοπών, βγάλτε τις μπαταρίες από το εργαλείο και φορτίστε τις.

### Εμφάνιση υπολειπόμενης χωρητικότητας μπαταρίας

**Μόνο για κασέτες μπαταρίας με την ενδεικτική λυχνία**

► **Εικ.3:** 1. Ενδεικτικές λυχνίες 2. Κουμπί ελέγχου

Πίστετε το κουμπί ελέγχου στην κασέτα μπαταριών για να υποδείξετε την υπολειπόμενη χωρητικότητα μπαταρίας. Οι ενδεικτικές λυχνίες ανάβουν για λίγα δευτερόλεπτα.

Ενδεικτικές λυχνίες			Υπολειπόμενη χωρητικότητα
 Αναμμένες	 Σβηστές	 Αναβοσβήνον	
			75% έως 100%
			50% έως 75%
			25% έως 50%
			0% έως 25%
			Φορτίστε την μπαταρία.
			Μπορεί να προέκυψε δυσλειτουργία στην μπαταρία.

**ΠΑΡΑΤΗΡΗΣΗ:** Ανάλογα με τις συνθήκες χρήσης και τη θερμοκρασία περιβάλλοντος, η ένδειξη μπορεί να διαφέρει λίγο από την πραγματική χωρητικότητα.



## Δράση διακόπτη

**▲ΠΡΟΣΟΧΗ:** Πριν βάλετε την κασέτα μπαταρίας μέσα στο εργαλείο, να ελέγχετε πάντα να δείτε αν η σκανδάλη διακόπτης ενεργοποιείται κανονικά και επιστρέφει στη θέση «OFF» όταν ελευθερώνεται.

Για να ξεκινήσετε τη λειτουργία κοπής, συνεχίστε να τραβάτε τη σκανδάλη διακόπτη. Η κοπτική μήτρα στην κινητή στερέωση θα υπερκαλύψει τη μήτρα στη σταθερή στερέωση και μετά θα επιστρέψει. Αν αφήσετε τη σκανδάλη διακόπτη πριν ολοκληρώσετε την κοπή, οι κοπτικές μήτρες θα σταματήσουν.

► **Εικ.4:** 1. Σκανδάλη διακόπτης

► **Εικ.5:** 1. Σταθερή στερέωση 2. Κοπτική μήτρα 3. Κινητή στερέωση

**ΕΙΔΟΠΟΙΗΣΗ:** Μη θέτετε το εργαλείο σε λειτουργία χωρίς φόρτο, αν αυτό δεν είναι απαραίτητο.

## Λειτουργία αυτόματης διακοπής

Όταν συνεχίζετε να τραβάτε τη σκανδάλη διακόπτη, η σιαγόνα των μητρών κλείνει μία φορά, επιστρέφει στην πλήρως ανοικτή θέση και μετά σταματάει. Αφήστε τη σκανδάλη και τραβήξτε την ξανά για να αρχίσετε την επόμενη ακολουθία κοπής.

## Μοχλός διακόπτης αντιστροφής

**▲ΠΡΟΕΙΔΟΠΟΙΗΣΗ:** Όταν δεν χρησιμοποιείτε το εργαλείο, να βάζετε πάντα το μοχλό διακόπτη αντιστροφής στη θέση ασφάλισης.

**▲ΠΡΟΣΟΧΗ:** Να βεβαιώνετε πάντα για τη θέση του μοχλού διακόπτη αντιστροφής πριν τη λειτουργία.

**ΕΙΔΟΠΟΙΗΣΗ:** Μη μετακινείτε το μοχλό διακόπτη αντιστροφής όταν τραβάτε τη σκανδάλη διακόπτη. Αυτό μπορεί να προκαλέσει ζημιά στο εργαλείο.

Για να ξεκινήσετε τη λειτουργία κοπής, θέστε το μοχλό διακόπτη αντιστροφής στη θέση κοπής.

Για να αντιστρέψετε την ακολουθία κοπής, θέστε το μοχλό διακόπτη αντιστροφής στη θέση αντιστροφής. Όταν συνεχίζετε να τραβάτε τη σκανδάλη διακόπτη, η σιαγόνα των κοπτικών μητρών ανοίγει και σταματάει στην πλήρως ανοικτή θέση.

Για να ασφαλίσετε τη σκανδάλη διακόπτη, θέστε το μοχλό διακόπτη αντιστροφής στη θέση ασφάλισης. Δεν μπορείτε να τραβήξετε τη σκανδάλη διακόπτη όταν βρίσκεται σε αυτή τη θέση.

► **Εικ.6:** 1. Μοχλός διακόπτης αντιστροφής 2. Θέση κοπής 3. Θέση ασφάλισης 4. Θέση αντιστροφής

**ΕΙΔΟΠΟΙΗΣΗ:** Όταν ο μοχλός διακόπτης αντιστροφής βρίσκεται στη θέση αντιστροφής, να χρησιμοποιείτε το εργαλείο μόνο όπως απαιτείται. Για να αποφευχθεί η πρόκληση ζημιάς στο εργαλείο, το εργαλείο θα σταματήσει αυτόματα όταν χρησιμοποιείται στη θέση αντιστροφής συνεχόμενα.

**ΠΑΡΑΤΗΡΗΣΗ:** Μετά την κοπή, αν αφήσετε τη σκανδάλη διακόπτη ενώ η σιαγόνα των κοπτικών μητρών ανοίγει και μετά θέστε το μοχλό διακόπτη αντιστροφής στη θέση αντιστροφής, η σιαγόνα θα κλείσει μία φορά και μετά θα ανοίξει όταν τραβήξετε ξανά τη σκανδάλη διακόπτη.

## Φως LED

**▲ΠΡΟΣΟΧΗ:** Μην κοιτάζετε κατευθείαν μέσα στο φως ή στην πηγή φωτός.

Τραβήξτε τη σκανδάλη διακόπτη για να ανάψετε τη λυχνία. Η λυχνία εξακολουθεί να είναι αναμμένη όσο τραβάτε τη σκανδάλη διακόπτη. Η λυχνία σβήνει περίπου 15 δευτερόλεπτα αφού αφήσετε τη σκανδάλη διακόπτη.

► **Εικ.7:** 1. Λυχνία (εσωτερικά)

**ΠΑΡΑΤΗΡΗΣΗ:** Χρησιμοποιήστε ένα στεγνό πανί για να σκουπίσετε τη σκόνη από το φακό της λάμπας. Προσέχετε να μη γρατζουνίσετε το φακό της λάμπας, επειδή μπορεί να μειωθεί η ένταση του φωτισμού.

**ΠΑΡΑΤΗΡΗΣΗ:** Όταν το εργαλείο υπερθερμαίνεται, η λυχνία αναβοσβήνει. Σε αυτή την περίπτωση, αφήστε το εργαλείο να κρυώσει.

## Κλίμακα οδήγησης

Χρησιμοποιήστε την κλίμακα οδήγησης αν θέλετε να κόψετε σπειροτομημένες ράβδους στο ίδιο μήκος. Εισαγάγετε την κλίμακα οδήγησης στην οπή όπως απεικονίζεται στην εικόνα.

► **Εικ.8:** 1. Κλίμακα οδήγησης 2. Βίδα σύσφιξης

Ευθυγραμμίστε την τιμή του μήκους που επιθυμείτε στην κλίμακα οδήγησης με τη γραμμή κοπής. Μετά, σφίξτε τη βίδα σύσφιξης.

► **Εικ.9:** 1. Κλίμακα οδήγησης 2. Γραμμή κοπής 3. Βίδα σύσφιξης

**▲ΠΡΟΣΟΧΗ:** Μη μεταφέρετε και μη χειρίζεστε το εργαλείο ενώ το κρατάτε από την κλίμακα οδήγησης. Το εργαλείο μπορεί να πέσει και να προκληθεί προσωπικός τραυματισμός ή/και ζημιά στο εργαλείο.

## Οδηγός ράβδου

Για ακριβή κοπή, θέστε τον οδηγό ράβδου στην κατάλληλη θέση ανάλογα με τη διάμετρο της σπειροτομημένης ράβδου προς κοπή.

► **Εικ.10:** 1. Οδηγός ράβδου (Θέση 1) 2. Οδηγός ράβδου (Θέση 2)

Υπάρχουν δύο θέσεις για τον οδηγό ράβδου.

Θέση	Μέγεθος της σπειροτομημένης ράβδου
1	W3/8, 3/8-18UNC, M10
2	W5/16, W1/4, 5/16-18UNC, 1/4-20UNC, M8, M6

## Γάντζος

**▲ ΠΡΟΣΟΧΗ:** Μην κρεμάτε ποτέ το εργαλείο στο γάντζο σε τοποθεσίες με ισχυρό άνεμο ή σε δυνητικά ασταθείς επιφάνειες.

**▲ ΠΡΟΣΟΧΗ:** Μη χρησιμοποιείτε το γάντζο αν είναι παραμορφωμένος ή παρουσιάζει ζημιά.

**▲ ΠΡΟΣΟΧΗ:** Όταν δεν χρησιμοποιείτε το εργαλείο, να διπλώνετε πάντα το γάντζο.

Ο γάντζος χρησιμεύει για το προσωρινό κρέμασμα του εργαλείου.

► **Εικ.11:** 1. Γάντζος

**▲ ΠΡΟΣΟΧΗ:** Μην κρεμάτε το γάντζο από τη ζώνη μέσης. Σε περίπτωση πτώσης, μπορεί να έχει ως αποτέλεσμα προσωπικό τραυματισμό ή/και ζημιά στο εργαλείο.

► **Εικ.12**

## Φύλαξη εξαγωνικού κλειδιού

Όταν δεν χρησιμοποιείτε το εξαγωνικό κλειδί, αποθηκεύστε το όπως απεικονίζεται, για να μην το χάσετε.

► **Εικ.13:** 1. Εξαγωνικό κλειδί

## Ιμάντας ώμου

### Προαιρετικό εξάρτημα

Ο ιμάντας ώμου χρησιμεύει για τη μεταφορά του εργαλείου.

► **Εικ.14:** 1. Ιμάντας ώμου 2. Άκρο ιμάντα 3. Πόρπη

**▲ ΠΡΟΣΟΧΗ:** Να φοράτε πάντα τον ιμάντα ώμου χιαστή στο σώμα σας και να τον ρυθμίζετε στο σωστό μήκος.

**▲ ΠΡΟΣΟΧΗ:** Μη χρησιμοποιήσετε τον ιμάντα ώμου αν παρουσιάζει ζημιά.

**▲ ΠΡΟΣΟΧΗ:** Αφήστε αρκετό μήκος μεταξύ της πόρπης και του άκρου ιμάντα για να αποφύγετε την ολίσθηση του άκρου ιμάντα μέσα από την πόρπη.

## ΣΥΝΑΡΜΟΛΟΓΗΣΗ

**▲ ΠΡΟΣΟΧΗ:** Να βεβαιώνετε πάντα ότι το εργαλείο είναι σθητό και η κασέτα μπαταρίας έχει αφαιρεθεί πριν εκτελέσετε κάποια εργασία στο εργαλείο.

## Τοποθέτηση των κοπτικών μητρών

**▲ ΠΡΟΣΟΧΗ:** Να τοποθετείτε πάντα τις κοπτικές μήτρες με τη σωστή κατεύθυνση και να τις ασφαλίσετε καλά. Ένα λανθασμένο ή χαλαρό εξάρτημα μπορεί να προκαλέσει το σπάσιμο των κοπτικών μητρών, έχοντας ως αποτέλεσμα προσωπικό τραυματισμό από τα εκτοξευόμενα κομμάτια.

**ΕΙΔΟΠΟΙΗΣΗ:** Αφαιρέστε τα γρέζια από τις κοπτικές μήτρες, αν υπάρχουν, με τη βοήθεια μιας λίμας.

1. Ελέγξτε αν η σιαγόνα των κοπτικών μητρών είναι πλήρως ανοικτή. Αν δεν είναι, τοποθετήστε την μπαταρία και τραβήξτε τη σκανδάλη διακόπτη μέχρι η σιαγόνα να είναι πλήρως ανοικτή.

**▲ ΠΡΟΣΟΧΗ:** Φροντίστε να αφαιρέσετε την κασέτα μπαταριών αν την έχετε τοποθετήσει.

2. Θέστε το μοχλό διακόπτη αντιστροφής στη θέση ασφάλισης.

► **Εικ.15:** 1. Μοχλός διακόπτης αντιστροφής

3. Ξεβιδώστε τα μπουλόνια με το παρεχόμενο εξαγωνικό κλειδί.

**▲ ΠΡΟΣΟΧΗ:** Να χρησιμοποιείτε μόνο το κλειδί της Makita που συνοδεύει το εργαλείο. Αν χρησιμοποιήσετε άλλα κλειδιά, μπορεί να έχει ως αποτέλεσμα υπερβολικό ή ανεπαρκές σφίξιμο, γεγονός που προκαλεί προσωπικό τραυματισμό.

4. Τοποθετήστε τις κοπτικές μήτρες επάνω στις στερεώσεις με τρόπο ώστε να φαίνονται οι δύο χρωματιστές ενδείξεις.

► **Εικ.16:** 1. Μπουλόνι 2. Κοπτική μήτρα 3. Σταθερή στερέωση 4. Κινητή στερέωση 5. Χρωματιστή ένδειξη 6. Εξαγωνικό κλειδί

5. Ασφαλίστε καλά τις κοπτικές μήτρες με τα μπουλόνια.

Οι κοπτικές μήτρες είναι σωστά τοποθετημένες όταν τα βέλη σε αυτές είναι στραμμένα το ένα προς το άλλο. Οι διαστάσεις των κοπτικών μητρών είναι ίδιες αλλά το πάχος τους φαίνεται διαφορετικό όταν τις κοιτάξετε από ψηλά.

► **Εικ.17:** 1. Βέλος 2. Κοπτική μήτρα 3. Λεπτή πλευρά 4. Παχιά πλευρά

## ΛΕΙΤΟΥΡΓΙΑ

**▲ ΠΡΟΣΟΧΗ:** Βεβαιωθείτε ότι έχετε τοποθετήσει στο εργαλείο κοπτικές μήτρες σωστού μεγέθους. Πριν την κοπή, να ελέγχετε την ικανότητα κοπής που αναγράφεται στις κοπτικές μήτρες.

**▲ ΠΡΟΣΟΧΗ:** Πριν τραβήξετε τη σκανδάλη διακόπτη, βεβαιωθείτε να τοποθετήσετε τη σπειροτομημένη ράβδο με τρόπο ώστε τα σπειρώματά της να ταιριάζουν με αυτά στις κοπτικές μήτρες. Η λανθασμένη ευθυγράμμιση των σπειρωμάτων μπορεί να σπάσει τις κοπτικές μήτρες και να προκαλέσει προσωπικό τραυματισμό από τα εκτοξευόμενα κομμάτια.

**▲ ΠΡΟΣΟΧΗ:** Αντικαταστήστε τις κοπτικές μήτρες αν το άκρο κοπής είναι σπασμένο ή παραμορφωμένο.

Κατά την κοπή, να τοποθετείτε τη σπειροτομημένη ράβδο κάθετα στη γραμμή κοπής, όπως απεικονίζεται στην εικόνα.

► **Εικ.18:** 1. Γραμμή κοπής

**ΠΑΡΑΤΗΡΗΣΗ:** Όταν κόβετε μια σπειροτομημένη ράβδο από όγκιμο μέταλλο, όπως το ανοξείδωτο ασάλι, μπορεί να δημιουργηθούν γρέζια στο κομμένο άκρο. Σε αυτή την περίπτωση, αφαιρέστε τα γρέζια με μια λίμα.

► **Εικ.19:** 1. Σπειροτομημένη ράβδος 2. Γρέζι

## Κοπή στερεωμένων σπειροτομημένων ράβδων

Όταν κόβετε μια σπειροτομημένη ράβδο που είναι στερεωμένη σε μια κτιριακή δομή, όπως η οροφή, το τοίχο, το πάτωμα, κτλ., ακολουθήστε την παρακάτω διαδικασία:

► **Εικ.20:** 1. Σπειροτομημένη ράβδος 2. Κοπτική μήτρα στη σταθερή στερέωση

1. Φέρτε το εργαλείο ώστε η σπειροτομημένη ράβδος να βρίσκεται μεταξύ των κοπτικών μητρών.
2. Ενώ η σπειροτομημένη ράβδος έρχεται σε επαφή με τον οδηγό ράβδου, προσαρμόστε το σπείρωμα της ράβδου με αυτό της κοπτικής μήτρας στη σταθερή στερέωση.
3. Τραβήξτε παρατεταμένα τη σκανδάλη διακόπτη μέχρι να ολοκληρωθεί η κοπή και η σιαγόνα των κοπτικών μητρών έρθει στην πλήρως ανοικτή θέση.

**ΕΙΔΟΠΟΙΗΣΗ:** Πριν τη λειτουργία, καθαρίστε την πρόσοψη του εργαλείου και το άκρο της κλίμακας οδήγησης. Μπορεί να βρομίζουν την επιφάνεια επαφής.

## Κοπή ελεύθερων σπειροτομημένων ράβδων

Όταν κόβετε μια ελεύθερη σπειροτομημένη ράβδο στο δάπεδο ή σε έναν πάγκο εργασίας, ακολουθήστε την παρακάτω διαδικασία:

► **Εικ.21:** 1. Σπειροτομημένη ράβδος 2. Κοπτική μήτρα στη σταθερή στερέωση

1. Τοποθετήστε τη σπειροτομημένη ράβδο μεταξύ των κοπτικών μητρών.
2. Ενώ η σπειροτομημένη ράβδος έρχεται σε επαφή με τον οδηγό ράβδου, προσαρμόστε το σπείρωμα της ράβδου με αυτό της κοπτικής μήτρας στη σταθερή στερέωση.
3. Τραβήξτε παρατεταμένα τη σκανδάλη διακόπτη μέχρι να ολοκληρωθεί η κοπή και η σιαγόνα των κοπτικών μητρών έρθει στην πλήρως ανοικτή θέση.

Όταν κόβετε μια μακριά σπειροτομημένη ράβδο που δυσκολεύετε να κρατήσετε με το χέρι, τοποθετήστε το εργαλείο όπως απεικονίζεται. Το εργαλείο μπορεί να τοποθετηθεί επίπεδα. Το κάλυμμα μπορεί επίσης να χρησιμοποιηθεί για τη στήριξη του άκρου της σπειροτομημένης ράβδου.

► **Εικ.22:** 1. Κάλυμμα (Θέση 1) 2. Οδηγός ράβδου (Θέση 1) 3. Κάλυμμα (Θέση 2) 4. Οδηγός ράβδου (Θέση 2)

Το κάλυμμα διαθέτει ενδείξεις για να υποδεικνύεται η θέση του. Ανάλογα με το μέγεθος της σπειροτομημένης ράβδου, τοποθετήστε το κάλυμμα στη θέση που απεικονίζεται στον πίνακα καθώς και στον οδηγό ράβδου.

Θέση	Μέγεθος της σπειροτομημένης ράβδου
1	W3/8, 3/8-16UNC, M10
2	W5/16, W1/4, 5/16-18UNC, 1/4-20UNC, M8, M6

## Διακοπή της κοπής στη μέση της διαδικασίας

**▲ΠΡΟΣΟΧΗ:** Μην προσπαθήσετε ποτέ να τραβήξετε το εργαλείο με βία από τη σπειροτομημένη ράβδο. Μπορεί να προκαλέσει απρόσμενη εκκίνηση, γεγονός που μπορεί να προκαλέσει προσωπικό τραυματισμό ή ζημιά στην κοπτική μήτρα και στο εργαλείο.

Όταν διακόπτετε την κοπή στη μέση της διαδικασίας, θέστε το μοχλό διακόπτη αντιστροφής στη θέση αντιστροφής και τραβήξτε τη σκανδάλη διακόπτη μέχρι η σπειροτομημένη ράβδος να απελευθερωθεί εντελώς από την κοπτική μήτρα.

## ΣΥΝΤΗΡΗΣΗ

**▲ΠΡΟΣΟΧΗ:** Πριν την εκτέλεση εργασιών επιθεώρησης ή συντήρησης, πάντοτε να βεβαιώνετε ότι η συσκευή απενεργοποιήθηκε και η κασέτα μπαταριών έχει αφαιρεθεί.

**ΕΙΔΟΠΟΙΗΣΗ:** Μην χρησιμοποιείτε ποτέ βενζίνη, πετρελαϊκό αιθέρα, διαλυτικό, αλκοόλη ή παρόμοιες ουσίες. Μπορεί να προκληθεί αποχρωματισμός, παραμόρφωση ή ρωγμές.

## Αντικατάσταση των κοπτικών μητρών

**ΕΙΔΟΠΟΙΗΣΗ:** Να αντικαθιστάτε και τις δύο κοπτικές μήτρες ταυτόχρονα. Αν αντικαστήσετε μόνο τη μία κοπτική μήτρα, μπορεί να δημιουργηθούν γρέζια στη σπειροτομημένη ράβδο.

Αντικαστήστε τις κοπτικές μήτρες όταν είναι σπασμένες, παραμορφωμένες ή όταν η κοπή δεν είναι πλέον κοφτερή. Για την αντικατάσταση, ακολουθήστε τις οδηγίες στην παράγραφο «Τοποθέτηση των κοπτικών μητρών».

► **Εικ.23:** 1. Σπάσιμο 2. Παραμόρφωση

Η μία κοπτική μήτρα έχει δύο άκρα κοπής και μια παχιά πλευρά και μια λεπτή πλευρά. Αλλάξτε τις θέσεις τοποθέτησης των κοπτικών μητρών αν δεν έχετε χρησιμοποιήσει τις άλλες πλευρές των άκρων κοπής.

► **Εικ.24:** 1. Άκρο κοπής 2. Λεπτή πλευρά 3. Παχιά πλευρά

## Μεταφορά/αποθήκευση του εργαλείου

**⚠ ΠΡΟΣΟΧΗ:** Όταν δεν χρησιμοποιείτε το εργαλείο, να προσαρτάτε πάντα το παρεχόμενο κάλυμμα στο κοπτικό τμήμα.

Προσαρτήστε το κάλυμμα όταν μεταφέρετε το εργαλείο. Όταν αποθηκεύετε το εργαλείο, αφαιρέστε την κασέτα μπαταριών και την κλιμακα οδήγησης από το εργαλείο. Καθαρίστε τη σκόνη από τις κοπτικές μήτρες και το κινούμενο μέρος. Μετά από αυτό, προσαρτήστε το κάλυμμα.

► **Εικ.25:** 1. Κάλυμμα

Για τη διατήρηση της ΑΣΦΑΛΕΙΑΣ και ΑΞΙΟΠΙΣΤΙΑΣ του προϊόντος, οι επισκευές και οποιαδήποτε άλλη εργασία συντήρησης ή ρύθμισης πρέπει να εκτελούνται από εξουσιοδοτημένα ή εργοστασιακά κέντρα εξυπηρέτησης της Makita, χρησιμοποιώντας πάντοτε ανταλλακτικά της Makita.

## ΠΡΟΑΙΡΕΤΙΚΑ ΕΞΑΡΤΗΜΑΤΑ

**⚠ ΠΡΟΣΟΧΗ:** Αυτά τα εξαρτήματα ή προσαρτήματα συνιστώνται για χρήση με το εργαλείο Makita που περιγράφηκε στις οδηγίες αυτές. Η χρήση οποιωνδήποτε άλλων εξαρτημάτων ή προσαρτημάτων μπορεί να προκαλέσει κίνδυνο τραυματισμού σε άτομα. Να χρησιμοποιείτε τα εξαρτήματα ή προσαρτήματα μόνο για την χρήση που προορίζονται.

Εάν χρειάζεστε οποιαδήποτε βοήθεια για περισσότερες πληροφορίες σε σχέση με αυτά τα εξαρτήματα, απευθυνθείτε στο τοπικό σας κέντρο εξυπηρέτησης Makita.

- Κοπτικές μήτρες
- Ιμάντας ώμου
- Γνήσια μπαταρία και φορτιστής της Makita

**ΠΑΡΑΤΗΡΗΣΗ:** Μερικά στοιχεία στη λίστα μπορεί να συμπεριλαμβάνονται στη συσκευασία εργαλείου ως στάνταρ εξαρτήματα. Μπορεί να διαφέρουν ανάλογα με τη χώρα.

## TEKNİK ÖZELLİKLER

Model:		DSC102
Kesme kapasiteleri	Yumuşak çelik	W3/8, W5/16, W1/4, 3/8-16UNC, 5/16-18UNC, 1/4-20UNC, M10, M8, M6
	Paslanmaz çelik	W3/8, 5/16-18UNC, M8, M6
Toplam uzunluk		199 mm
Anma voltajı		D.C. 18 V D.C. 14,4 V
Net ağırlık		2,8 - 3,2 kg

- Sürekli yapılan araştırma ve geliştirmelerden dolayı, burada belirtilen özellikler önceden bildirilmeksizin değiştirilebilir.
- Özellikler ülkeden ülkeye değişebilir.
- Ağırlık, ekli aksesuar/aksesuarlara ve batarya kartuşuna bağlı olarak farklılık gösterebilir. EPTA-Prosedürü 01/2014'e göre en hafif ve en ağır kombinasyonlar tabloda verilmiştir.

## Geçerli batarya kartuşu ve şarj aleti

Batarya kartuşu	D.C.14,4 V Modeli	BL1415N / BL1430 / BL1430B / BL1440 / BL1450 / BL1460B
	D.C.18 V Modeli	BL1815N / BL1820 / BL1820B / BL1830 / BL1830B / BL1840 / BL1840B / BL1850 / BL1850B / BL1860B
Şarj aleti		DC18RC / DC18RD / DC18RE / DC18SD / DC18SE / DC18SF

- Yukarıda listelenen batarya kartuşlarının ve şarj aletlerinin bazıları yaşadığınız bölgeye bağlı olarak mevcut olmayabilir.

**UYARI:** Sadece yukarıda listelenen batarya kartuşlarını ve şarj aletlerini kullanın. Başka batarya kartuşlarının ve şarj aletlerinin kullanılması yaralanma ve/veya yangına neden olabilir.

## Semboller

Aşağıdakiler makinenin için kullanılan sembolleri göstermektedir. Kullanmadan önce manalarını anladığınızdan emin olunuz.



Kullanma kılavuzunu okuyun.



Güvenlik gözlüğü takın.



Çalışma sırasında kesici kalıplara dokunmayın.



Kesilen dişli mile dikkat edin.



Çalışma sırasında yüzünüzü alete yaklaştırmayın.



Sadece AB ülkeleri için  
Elektrik donanımını ve batarya kutusunu evsel atıklarla birlikte bertaraf etmeyiniz!  
Atık Elektrikli ve Elektronik Donanımlar, Piller ve Akümülatörler ve Atık Piller ve Akümülatörler konusundaki Avrupa Direktifleri ve bunların ulusal yasalara uygulanmaları uyarınca, kullanım ömürleri biten elektrikli donanımların, pillerin ve pil takım(lar)ının ayrı toplanmaları ve çevreye uyumlu bir geri dönüşüm tesisine getirilmeleri gereklidir.

## Kullanım amacı

Alet; dişli milleri kesmek için tasarlanmıştır.

## Gürültü

Tipik A-ağırlıklı gürültü düzeyi (EN62841-2-8 standardına göre belirlenen):  
Ses basınç seviyesi ( $L_{pA}$ ): 71 dB (A)  
Belirsizlik (K): 3 dB (A)

İşlem sırasında gürültü seviyesi 80 dB (A)'yi geçebilir.

**UYARI:** Kulak koruyucuları takın.

## Titreşim

Titreşim toplam değeri (üç eksenli vektör toplamı) (EN62841-2-8 standardına göre hesaplanan):  
Çalışma modu: paslanmaz çelik dişli mil kesme (mil boyutu W3/8)  
Titreşim emisyonu ( $a_{h}$ ): 2,5  $m/s^2$ 'den az  
Belirsizlik (K) : 1,5  $m/s^2$

**NOT:** Beyan edilen titreşim emisyon değeri standart test yöntemine uygun şekilde ölçülmüştür ve bir aletli bir başkasıyla karşılaştırmak için kullanılabilir.

**NOT:** Beyan edilen titreşim emisyon değeri bir ön maruz kalma değerlendirmesi olarak da kullanılabilir.

**⚠UYARI:** Bu elektrikli aletin gerçek kullanımını sırasındaki titreşim emisyonu aletin kullanım biçimlerine bağlı olarak beyan edilen emisyon değerlerinden farklı olabilir.

**⚠UYARI:** Gerçek kullanım koşullarındaki maruz kalmanın bir tahmini hesaplaması temelinde operatörü koruyacak güvenlik önlemlerini mutlaka belirleyin (çalışma döngüsü içerisinde aletin kapalı olduğu ve aktif durumda olmasının yanı sıra boşta çalıştığı zamanlar gibi, bütün zaman dilimleri göz önünde bulundurulur değerlendirilmelidir).

## EC Uygunluk Beyanı

### Sadece Avrupa ülkeleri için

EC uygunluk beyanı bu kullanım kılavuzuna Ek A olarak eklenmiştir.

## GÜVENLİK UYARILARI

### Genel elektrikli alet güvenliği uyarıları

**⚠UYARI:** Bu elektrikli aletle birlikte sunulan tüm güvenlik uyarılarını, talimatları, çizimleri ve teknik özellikleri okuyun. Aşağıda verilen talimatlara uyulmaması elektrik şoku, yangın ve/veya ciddi yaralanmalar ile sonuçlanabilir.

## Tüm uyarıları ve talimatları ile- ride başurmak için saklayın.

Uyarılardaki "elektrikli alet" terimi ile ya prizden çalışan (kordonlu) elektrikli aletiniz ya da kendi aküsü ile çalışan (kordonsuz) elektrikli aletiniz kastedilmektedir.

## Akülü dişli mil kesme makinası ile ilgili güvenlik uyarıları

1. Aleti sıkıca tutun.
2. İş parçasını sıkıca sabitleyin.
3. Yüzünüzü ve ellerinizi hareketli parçalardan uzak tutun. Kesim sırasında dişli milin parçası fırlayabilir.
4. Dişli milleri tutarken daima eldiven giyin. İş parçasının kenarları ve talaşları keskin olabilir.
5. Aleti iş parçasının talaşlarının üzerine koymayın. Aksi takdirde aletin hasar görmesine ve arızalanmasına neden olabilir.
6. Her zaman yere sağlam basın. Aleti yüksekte kullandığınızda, altında kimsenin olmadığından emin olun.
7. Kesici kenar veya iş parçasına işlemden hemen sonra ellemeyin; bunlar çok sıcak olup cildinizi yakabilir.
8. Elektrik kablolarını kesmekten kaçının. Elektrik çarpmasından dolayı ciddi kazalara neden olabilir.
9. Kesilen dişli milin düşmesini engellemek için kesim anında ve kesimden sonra dişli mili mutlaka tutun. Kesilen dişli mil yüksek bir yerden düşerse ciddi yaralanmaya neden olabilir.
10. Vücudunuzla hareketli parçalar arasında güvenli bir mesafe bırakın. Güvenli mesafeyi korumak için çalışma alanı çok darsa aleti kullanmayın.
11. Aleti hiçbir zaman yüksek bir yerde veya potansiyel olarak dengesiz bir yüzeyde bırakmayın.

## BU TALİMATLARI SAKLAYIN.

**⚠UYARI:** Ürünü kullanırken (defalarca kullanınca kazanılan) rahatlık ve tanıdıklık duygusunun ilgili ürünün güvenlik kurallarına sıkı sıkıya bağlı kalmanın yerine geçmesine İZİN VERMEYİN.

**YANLIŞ KULLANIM** veya bu kullanma kılavuzunda belirtilen emniyet kurallarına uymama ciddi yaralanmaya neden olabilir.

## Batarya kartuşu hakkında önemli güvenlik talimatları

1. Batarya kartuşunu kullanmadan önce, tüm talimatları ve (1) batarya kartuşu, (2) batarya ve (3) ürün üzerindeki tüm uyarı işaretlerini okuyun.
2. Batarya kartuşunu demonte etmeyin.
3. Çalışma süresi aşırı derecede kısalmışsa kullanmayı derhal bırakın. Aşırı ısınma, yanma riski hatta patlamaya neden olabilir.
4. Gözünüze elektrolit kaçarsa, gözlerinizi temiz suyla durulayın ve hemen tıbbi yardım alın. Görme kaybına yol açabilir.
5. Batarya kartuşuna kısa devre yaptırmayın:
  - (1) Terminallere herhangi bir iletken madde değdirmeyin.
  - (2) Batarya kartuşunu çiviler, madeni paralar, vb. gibi başka metal nesnelere aynı kaba koymaktan kaçının.
  - (3) Batarya kartuşunu yağmura ya da suya maruz bırakmayın.
6. Kısa devre, büyük bir akım akışına, aşırı ısınmaya, olası yangınlara hatta bataryanın bozulmasına yol açabilir.
7. Aleti ve batarya kartuşunu sıcaklığın 50°C ya da daha yükseğe ulaştığı yerlerde saklamayın.
8. Aşırı derecede hasar görmüş ya da tamamen kullanılamaz durumda olsa bile batarya kartuşunu yakmayın. Batarya kartuşu ateşe atılırsa patlayabilir.
9. Bataryayı düşürmemeye ve çarpmamaya dikkat edin.
10. Hasarlı bataryayı kullanmayın.
11. Aletin içerdiği lityum-iyon bataryalar Tehlikeli Eşyalar Yönetmeliğinin gereksinimlerine tabidir. Ticari nakliye işlemleri için, örneğin üçüncü taraflar, nakliye acentelerine tarafından yapılan nakliyelerde, paketleme ve etiketleme gereksinimlerine uyulmalıdır.
12. Nakliyesi yapılacak ürünün hazırlanması için, tehlikeli maddeler konusunda uzman bir kişiye danışın. Lütfen muhtemelen daha ayrıntılı olan ulusal yönetmeliklere de uyun. Açık kontakları bantlayın ya da maskeleyin ve bataryayı paketin içinde hareket etmeyecek şekilde paketleyin.
13. Bataryanın elden çıkarılması ile ilgili yerel düzenlemelere uyunuz.
14. Bataryaları sadece Makita tarafından belirtilen ürünlerle kullanın. Bataryaların uyumsuz ürünlere takılması; yangın, aşırı ısınma, patlama ya da elektrolit sızıntısına neden olabilir.

## BU TALİMATLARI MUHAFAZA EDİNİZ.

**⚠DİKKAT:** Sadece orijinal Makita bataryalarını kullanın. Orijinal olmayan Makita bataryaları ya da üzerine değişiklik yapılmış bataryaların kullanımı bataryanın patlamasına ve sonuç olarak yangın, kişisel yaralanma ve hasara neden olabilir. Ayrıca Makita aleti ve şarj aletinin Makita tarafından sunulan garantisi de geçersiz olur.

## Maksimum batarya ömrü için ipuçları

1. Batarya kartuşunu tamamen boşalmadan önce şarj edin. Aletin gücünün zayıflamaya başladığını fark ettiğinizde aleti durdurun ve batarya kartuşunu şarj edin.
2. Tam dolu bir batarya kartuşunu asla yeniden şarj etmeyin. Aşırı şarj etme bataryanın hizmet ömrünü kısaltır.
3. Batarya kartuşunu 10°C - 40°C oda sıcaklığında şarj edin. Sıcak bir batarya kartuşunu şarj etmeden önce soğumasını bekleyin.
4. Uzun bir süre (altı aydan daha fazla) kullanmadığınız durumlarda batarya kartuşunu şarj edin.

## PARÇALARIN TANIMI

### ► Şek.1

1	Sabit yatak	2	Hareketli yatak	3	Kesici kalıp	4	Cıvata
5	Kanca	6	Omuz askısı tabanı (isteğe bağlı aksesuar için)	7	Altıgen anahtar	8	Lamba (içeride)
9	Ön yüz	10	Anahtar tetik	11	Ters dönüş mandalı	12	Mil kılavuzu
13	Kılavuz cetvel	14	Sıkıştırma vidası	15	Kapak	-	-

## İŞLEVSEL NİTELİKLER

**⚠DİKKAT:** Alet üzerinde ayarlama veya işleyiş kontrolü yapmadan önce aletin kapalı ve batarya kartuşunun ayrılmış olduğundan daima emin olun.

### Batarya kartuşunun takılması ve çıkarılması

**⚠DİKKAT:** Batarya kartuşunu takmadan ya da çıkarmadan önce aleti daima kapatın.

**⚠DİKKAT:** Batarya kartuşunu takarken veya çıkarırken aleti ve batarya kartuşunu sıkıca tutun. Aletin ve batarya kartuşunun sıkıca tutulmaması bunların düşürülmesine sebep olabilir ve alet ve batarya kartuşunun zarar görmesine ya da ciddi yaralanmasına yol açabilir.

► **Şek.2:** 1. Kırmızı gösterge 2. Düşme 3. Batarya kartuşu

Batarya kartuşunu çıkarmak için, kartuşun ön tarafındaki düğmeyi kaydırarak kartuşu aletten çıkarın.

Batarya kartuşunu takmak için, batarya kartuşu üzerindeki dili yuvanın çentiği ile hizalayın ve yerine oturtun. Hafif bir tık sesi duyulana kadar itip yerine tam oturmasını sağlayın. Düşmenin üst tarafındaki kırmızı gösterge görünüyorsa tam yerine kilitlenmemiş demektir.

**⚠DİKKAT:** Batarya kartuşunu daima kırmızı gösterge görünmeyecek şekilde tam olarak takın. Yerine tam oturmazsa, aletten yanlışlıkla düşebilir, sizin ya da çevrenizdeki kişilerin yaralanmasına neden olabilir.

**⚠DİKKAT:** Batarya kartuşunu zorlayarak takmayın. Kartuş kolay bir şekilde kaymıyorsa doğru yerleştirilmemiş demektir.

### Alet/batarya koruma sistemi

Bu alet bir alet/batarya koruma sistemi ile donatılmıştır. Bu sistem motora giden gücü otomatik olarak keserek uzun alet ve batarya ömrü sağlar. Alet veya batarya için aşağıdaki durumlardan biri söz konusu olduğunda aletin işleyişi otomatik olarak durur. Bazı durumlarda göstergeler yanar.

### Aşırı yük koruması

Alet, anormal derecede yüksek akım çekmesine neden olacak şekilde kullanıldığında, alet hiçbir belirti vermeden otomatik olarak durur. Bu durumda, aleti kapatın ve aletin aşırı yüklenmesine neden olan uygulamayı durdurun. Daha sonra aleti yeniden başlaması için çalıştırın.

**NOT:** Aşağıdaki türde dişli milleri kesmeye çalıştığınızda aşırı yük koruması devreye girer.

- Kesici kalıpların boyutundan büyük dişli mil.
- Kesici kalıpların kesme kapasitesinden daha sert dişli mil.

### Aşırı ısınma koruması

Alet aşırı ısındığında, alet otomatik olarak durur ve LED lamba yanıp söner. Aleti tekrar açmadan önce soğumasını bekleyin.

### Aşırı deşarj koruması

Batarya kapasitesi düştüğünde, alet otomatik olarak durur. Anahtarlar devredeyken bile ürün çalışmıyorsa, bataryaları aletten çıkarıp şarj edin.



## Kalan batarya kapasitesinin gösterilmesi

Sadece göstergeli batarya kartuşları için

► **Şek.3:** 1. Gösterge lambaları 2. Kontrol düğmesi

Kalan batarya kapasitesini göstermesi için batarya kartuşu üzerindeki kontrol düğmesine basın. Gösterge lambaları birkaç saniye yanar.

Gösterge lambaları			Kalan kapasite
Yanıyor	Kapalı	Yanıp söniyor	
■	□	▣	
■ ■ ■ ■			%75 ila %100
■ ■ ■ □			%50 ila %75
■ ■ □ □			%25 ila %50
■ □ □ □			%0 ila %25
▣ □ □ □			Bataryayı şarj edin.
■ ■ □ □			Batarya arızalanmış olabilir.
□ □ ■ ■			

**NOT:** Kullanım koşullarına ve ortam sıcaklığına bağlı olarak, gösterilen değer gerçek kapasiteden biraz farklılık gösterebilir.

## Anahtar işlemleri

**⚠DİKKAT:** Batarya kartuşunu alete takmadan önce anahtar tetiğinin doğru çalıştığından ve bırakıldığında "OFF" (kapalı) konumuna döndüğünden emin olun.

Kesim işlemini başlatmak için anahtar tetiği çekmeye devam edin. Hareketli yatak üzerindeki kesici kalıp, sabit yatak üzerindeki kalıbın üzerine biner ve ardından geri döner. Kesimi tamamlamadan anahtar tetiği bırakırsanız kesici kalıplar durur.

► **Şek.4:** 1. Anahtar tetik

► **Şek.5:** 1. Sabit yatak 2. Kesici kalıp 3. Hareketli yatak

**ÖNEMLİ NOT:** Aleti gereksiz yere yüksüz çalıştırmayın.

## Otomatik durma fonksiyonu

Anahtar tetiği çekmeye devam ettiğinizde kalıpların çenesi bir kez kapanır ve tam açık konuma döner, ardından durur. Tetiği bırakın ve bir sonraki kesme işlemine başlamak için yeniden çekin.

## Ters dönüş mandalı

**⚠UYARI:** Aleti kullanılmıyorken ters dönüş mandalını daima kilitli konuma getirin.

**⚠DİKKAT:** Çalıştırmadan önce ters dönüş mandalının konumunu mutlaka kontrol edin.

**ÖNEMLİ NOT:** Anahtar tetik çekilirken ters dönüş mandalını oynatmayın. Bu, aletin hasar görmesine neden olabilir.

Kesme işlemine başlamak için ters dönüş mandalını kesme konumuna getirin.

Kesme işlemini geri çevirmek için ters dönüş mandalını ters çevirme konumuna getirin. Anahtar tetiği çekmeye devam ettiğinizde kesici kalıpların çenesi açılır ve tam açık konumda durur.

Anahtar tetiği kilitlemek için ters dönüş mandalını kilitli konuma getirin. Anahtar tetik bu konumda çekilemez.

► **Şek.6:** 1. Ters dönüş mandalı 2. Kesme konumu 3. Kilitli konum 4. Ters çevirme konumu

**ÖNEMLİ NOT:** Ters dönüş mandalı ters çevirme konumunda iken aleti sadece gerektiğinde çalıştırın. Aletin hasar görmesini engellemek için ters çevirme konumunda sürekli olarak çalıştırılırsa alet otomatik olarak durur.

**NOT:** Kesimden sonra kesici kalıpların çenesi açıldığı sırada anahtar tetiği bırakır ve ardından ters dönüş mandalını ters çevirme konumuna alırsanız anahtar tetiği tekrar çektiğinizde çene bir kez kapanır ve sonra açılır.

## LED lamba

**⚠DİKKAT:** Işığa bakmayın ya da ışık kaynağını doğrudan görmeyin.

Lambayı yakmak için anahtar tetiği çekin. Anahtar tetik çekilirken lamba yanmaya devam eder. Anahtar tetik bırakıldıktan yaklaşık 15 saniye sonra lamba söner.

► **Şek.7:** 1. Lamba (içeride)

**NOT:** Lamba lensini temizlemek için kuru bir bez kullanın. Aydınlatmayı azaltacağı için lamba lensinin çizilmemesine dikkat edin.

**NOT:** Alet aşırı ısındığında lamba yanıp söner. Bu durumda aletin soğumasını bekleyin.

## Kılavuz cetveli

Dişli milleri aynı uzunlukta kesmek isterseniz kılavuz cetveli kullanın. Kılavuz cetveli şekilde gösterildiği gibi deliğe sokun.

► **Şek.8:** 1. Kılavuz cetvel 2. Sıkıştırma vidası

Kılavuz cetvel üzerinde istediğiniz uzunluk değerini kesim hattı ile hizalayın. Ardından sıkıştırma vidasını sıkın.

► **Şek.9:** 1. Kılavuz cetvel 2. Kesme hattı 3. Sıkıştırma vidası

**⚠DİKKAT:** Aleti taşımak veya kullanmak için kılavuz cetvelden tutmayın. Alet düşebilir ve yaralanmaya ve/veya aletin hasar görmesine neden olabilir.

## Mil kılavuzu

Hassas bir kesim için mil kılavuzunun konumunu, kesilecek dişli milin çapına göre ayarlayın.

► **Şek.10:** 1. Mil kılavuzu (Konum 1) 2. Mil kılavuzu (Konum 2)

İki mil kılavuzu konumu bulunmaktadır.

Konum	Dişli mil boyutu
1	W3/8, 3/8-16UNC, M10
2	W5/16, W1/4, 5/16-18UNC, 1/4-20UNC, M8, M6

## Kanca

**⚠DİKKAT:** Aleti hiçbir zaman rüzgarlı bir veya potansiyel olarak dengesiz bir yüzeye asmayın.

**⚠DİKKAT:** Deforme olmuş veya hasarlı ise kancayı kullanmayın.

**⚠DİKKAT:** Aleti kullanmıyorken kancayı mutlaka katlayın.

Kanca, aleti geçici olarak asmak için kullanışlıdır.

► **Şek.11:** 1. Kanca

**⚠DİKKAT:** Kancayı bel kemerinden asmayın. Düşerse yaralanmaya ve/veya aletin hasar görmesine neden olabilir.

► **Şek.12**

## Altıgen anahtarın saklanması

Kullanılmadığı zamanlarda, altıgen anahtarın kaybolmasını önlemek için anahtarı şekilde gösterildiği gibi saklayın.

► **Şek.13:** 1. Altıgen anahtar

## Omuz askısı

### İsteğe bağlı aksesuar

Omuz askısı aleti taşımak için kullanışlıdır.

► **Şek.14:** 1. Omuz askısı 2. Kayış ucu 3. Toka

**⚠DİKKAT:** Omuz askısını daima vücudunuza çapraz geçecek şekilde ve uygun uzunlukta ayarlanmış olarak takın.

**⚠DİKKAT:** Hasarlı ise omuz askısını kullanmayın.

**⚠DİKKAT:** Kayış ucunun tokadan kayarak çıkmasını engellemek için toka ile kayış ucu arasında yeterli uzunluk bırakın.

## MONTAJ

**⚠DİKKAT:** Alet üzerinde herhangi bir iş yapmadan önce aletin kapalı ve batarya kartuşunun ayrılmış olduğundan daima emin olun.

## Kesici kalıpların takılması

**⚠DİKKAT:** Kesici kalıpları daima doğru yönlerde ve sıkıca sabitlenecek şekilde takın. Hatalı veya gevşek takmak kesici kalıpların kırılarak uçuşan parçacıklar sonucu yaralanmaya neden olabilir.

**ÖNEMLİ NOT:** Varsa kesici kalıplar üzerindeki çapağı eğe kullanarak temizleyin.

1. Kesici kalıpların çenesinin tam açık olduğunu kontrol edin. Değilse bataryayı takın ve çene tam açılana dek anahtar tetiği çekin.

**⚠DİKKAT:** Takılı ise batarya kartuşunu mutlaka çıkarın.

2. Ters dönüş mandalını kilitle konuma getirin.

► **Şek.15:** 1. Ters dönüş mandalı

3. Verilen altıgen anahtarla civataları sökün.

**⚠DİKKAT:** Sadece alet ile verilen Makita anahtarları kullanın. Başka anahtar kullanılması aşırı sıkma veya yetersiz sıkmaya neden olarak yaralanmaya yol açabilir.

4. Kesici kalıpları, iki renkli işaret görülebilecek şekilde yataklara yerleştirin.

► **Şek.16:** 1. Civata 2. Kesici kalıp 3. Sabit yatak

4. Hareketli yatak 5. Renkli işaret 6. Altıgen anahtar

5. Kesici kalıpları civatalarla sıkıca sabitleyin.

Kesici kalıplar, üzerlerindeki oklar birbirlerine bakıyorsa doğru takılmışlardır. Kesici kalıpların boyutları aynıdır ancak yukarıdan bakıldığında kalınlıkları farklı gözüktür.

► **Şek.17:** 1. Ok 2. Kesici kalıp 3. İnce taraf 4. Kalın taraf

## KULLANIM

**⚠DİKKAT:** Alete doğru boyutta kesici kalıplar takıldığından emin olun. Kesmeden önce kesici kalıpların üzerinde yazılı kesme kapasitesini kontrol edin.

**⚠DİKKAT:** Anahtar tetiği çekmeden önce dişli mili, dişleri kesici kalıpların dişlerine oturacak şekilde ayarladığınızdan emin olun. Dişlerin hatalı hizalanması kesici kalıpları kırarak uçuşan parçacıklar sonucu yaralanmaya neden olabilir.

**⚠DİKKAT:** Kesici kenar kırılmışsa veya deforme olmuşsa kesici kalıpları değiştirin.

Keserken dişli mili şekilde gösterildiği gibi kesme hattına dik olarak yerleştirin.

► **Şek.18:** 1. Kesme hattı

**NOT:** Paslanmaz çelik gibi sünek metalden üretilmiş bir dişli mili keserken kesilen uçta çapaklar oluşabilir. Bu durumda çapakları bir ege ile temizleyin.

► **Şek.19:** 1. Dişli mil 2. Çapak

## Sabitlenmiş dişli millerin kesilmesi

Tavan, duvar, zemin, vb. gibi bina elemanlarına sabitlenmiş bir dişli mili keserken aşağıdaki prosedürü izleyin:

► **Şek.20:** 1. Dişli mil 2. Sabit yataktaki kesici kalıp

1. Dişli mil kesici kalıpların arasına gelecek şekilde aleti getirin.
2. Dişli mil mil kılavuzuna temas ederken milin dışını sabit yatak üzerindeki kesici kalıbın dişine oturtun.
3. Kesim tamamlanana ve kesici kalıpların çenesi tam açık konuma gelene dek anahtar tetiği çekip çekili tutun.

**ÖNEMLİ NOT:** Çalışma öncesinde aletin ön yüzünü ve kılavuz cetvelin ucunu temizleyin. Temas edilen yüzeyi kirletebilirler.

## Serbest dişli millerin kesilmesi

Serbest bir dişli mili zemin veya tezgah üzerinde keserken aşağıdaki prosedürü izleyin:

► **Şek.21:** 1. Dişli mil 2. Sabit yataktaki kesici kalıp

1. Dişli mili kesici kalıpların arasına yerleştirin.
2. Dişli mil mil kılavuzuna temas ederken milin dışını sabit yatak üzerindeki kesici kalıbın dişine oturtun.
3. Kesim tamamlanana ve kesici kalıpların çenesi tam açık konuma gelene dek anahtar tetiği çekip çekili tutun.

Elle tutulması zor uzun bir dişli mili keserken aleti şekildedeki gibi yerleştirin. Alet yatay şekilde yerleştirilebilir. Dişli milin ucunu desteklemek için kapak da kullanılabilir.

► **Şek.22:** 1. Kapak (Konum 1) 2. Mil kılavuzu (Konum 1) 3. Kapak (Konum 2) 4. Mil kılavuzu (Konum 2)

Kapak üzerinde konumunu gösteren işaretler bulunur. Dişli milin boyutuna bağlı olarak kapağı, mil kılavuzu ile birlikte tabloda gösterilen konuma koyun.

Konum	Dişli mil boyutu
1	W3/8, 3/8-16UNC, M10
2	W5/16, W1/4, 5/16-18UNC, 1/4-20UNC, M8, M6

## Kesimin yarıda bırakılması

**⚠DİKKAT:** Aleti dişli milden hiçbir zaman zor kullanarak çekerek çıkarmaya çalışmayın. Kazara çalışmasına neden olarak yaralanmaya veya kesici kalıpların ve aletin hasar görmesine yol açabilir.

Kesimi yarısında bırakırken ters dönüş mandalını geri çevirme konumuna getirin ve dişli mil kesici kalıplardan tamamen kurtulana dek anahtar tetiği çekin.

## BAKIM

**⚠DİKKAT:** Muayene ya da bakım yapmadan önce aletin kapalı ve batarya kartuşunun çıkartılmış olduğundan daima emin olun.

**ÖNEMLİ NOT:** Benzin, tiner, alkol ve benzeri maddeleri kesinlikle kullanmayın. Renk değişimi, deformasyon veya çatlaklar oluşabilir.

## Kesici kalıpların değiştirilmesi

**ÖNEMLİ NOT:** Her iki kesici kalıbı da aynı anda değiştirin. Kesici kalıpların bir tarafının değiştirilmesi dişli milde çapak oluşmasına neden olabilir.

Kesici kalıplar kırıldıklarında, deforme olduklarında veya kesim körlenmeye başladığında değiştirin. Değiştirmek için "Kesici kalıpların takılması" kısımdaki talimatları izleyin.  
► **Şek.23:** 1. Kırılma 2. Deformasyon

Bir kesici kalıp iki kesici kenara, kalın tarafa ve ince tarafa sahiptir. Kesici kenarların diğer taraflarını kullanmadı iseniz kesici kalıpların montaj konumlarını değiştirin.

► **Şek.24:** 1. Kesici kenar 2. İnce taraf 3. Kalın taraf

## Aletin taşınması/saklanması

**⚠DİKKAT:** Alet kullanılmıyorken ürünle verilen kapağı mutlaka kesici kısma takın.

Aleti taşıırken kapağı takın. Aleti depolarken batarya kartuşunu ve kılavuz cetveli aletten çıkarın. Kesici kalıplar ve hareketli parça üzerindeki tozu temizleyin. Ondan sonra kapağı takın.  
► **Şek.25:** 1. Kapak

Aleti EMNİYETLİ ve ÇALIŞMAYA HAZIR durumda tutmak için onarımlar, başka her türlü bakım ve ayarlamalar daima Makita yedek parçaları kullanılarak Makita yetkili servis merkezleri veya Fabrikanın Servis Merkezleri tarafından yapılmalıdır.

## İSTEĞE BAĞLI AKSESUARLAR

**⚠DİKKAT:** Bu aksesuarlar ve ek parçalar bu el kitabında belirtilen Makita aletiniz ile kullanılmak için tavsiye edilmektedir. Herhangi başka bir aksesuar ya da ek parça kullanılması insanlar için bir yaralanma riski getirebilir. Aksesuarları ya da ek parçaları yalnızca belirtilmiş olan kullanım amaçlarına uygun olarak kullanın.

Bu aksesuarlarla ilgili daha fazla bilgiye ihtiyaç duyarsanız bulunduğunuz yerdeki yetkili Makita servisine başvurun.

- Kesici kalıplar
- Omuz askısı
- Orijinal Makita batarya ve şarj aleti

**NOT:** Listedeki parçaların bazıları alet paketi içerisinde standart aksesuar olarak dahil edilmiş olabilir. Bunlar ülkeden ülkeye farklılık gösterebilir.



**Makita Europe N.V.** Jan-Baptist Vinkstraat 2,  
3070 Kortenberg, Belgium

**Makita Corporation** 3-11-8, Sumiyoshi-cho,  
Anjo, Aichi 446-8502 Japan

[www.makita.com](http://www.makita.com)

885631A991  
EN, FR, DE, IT, NL,  
ES, PT, DA, EL, TR  
20180807