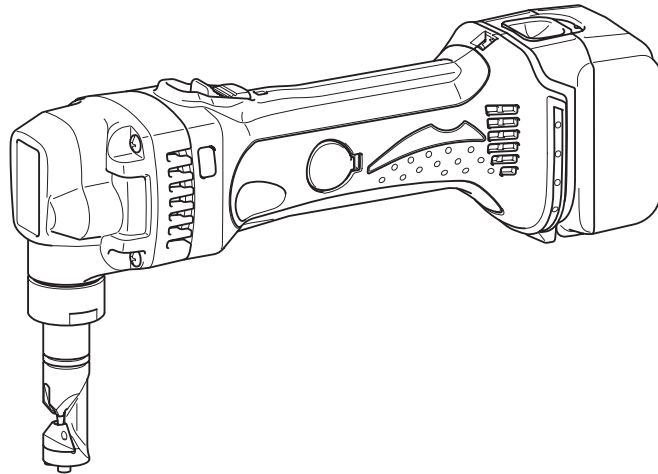
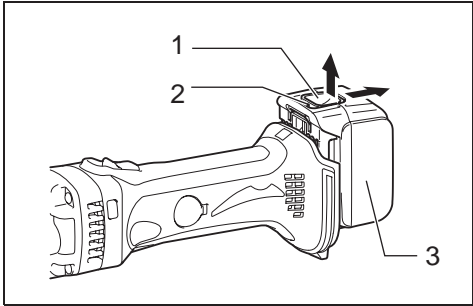




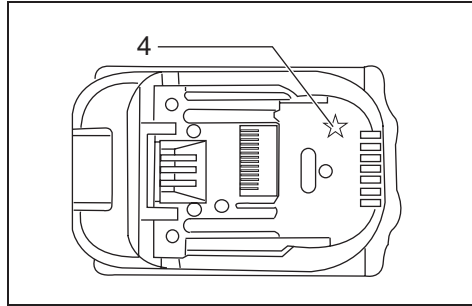
GB	Cordless Nibbler	Instruction Manual
F	Grignoteuse Sans Fil	Manuel d'instructions
D	Akku-Knabber	Betriebsanleitung
I	Roditrice a batteria	Istruzioni per l'uso
NL	Snoerloze knabbelschaar	Gebruiksaanwijzing
E	Roedora Inalámbrica	Manual de instrucciones
P	Tesoura Punção a Bateria	Manual de instruções
DK	Akku-pladestanser	Brugsanvisning
GR	Ζουμποψάλιδο μπαταρίας	Οδηγίες χρήσεως
TR	Akülü Nibler	Kullanma kılavuzu

DJN160
DJN161

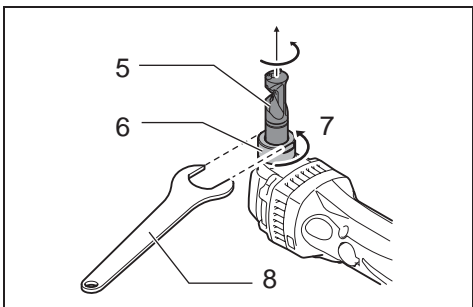




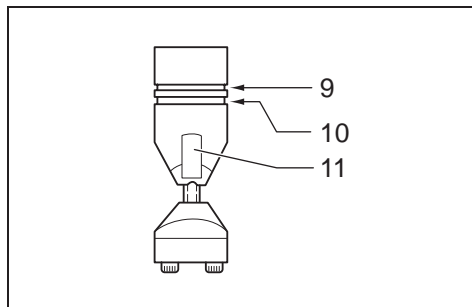
1 013273



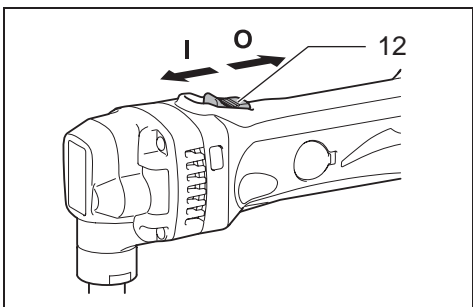
2 012128



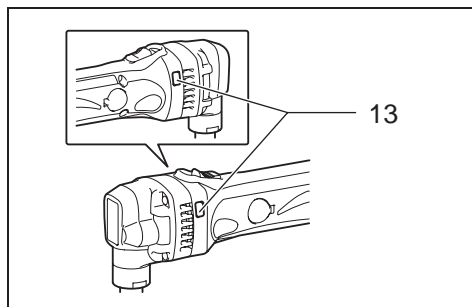
3 013275



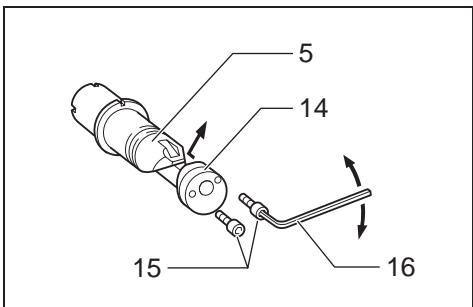
4 004775



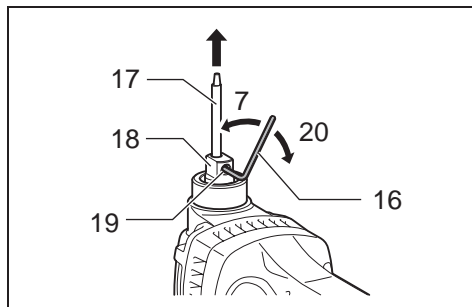
5 013276



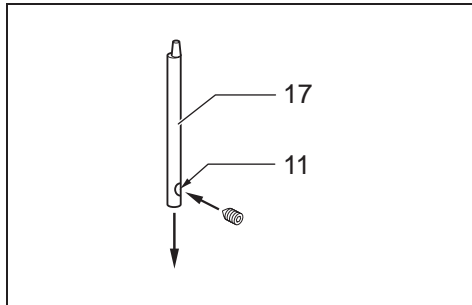
6 013277



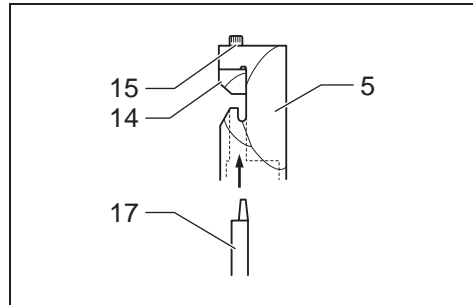
7 004779



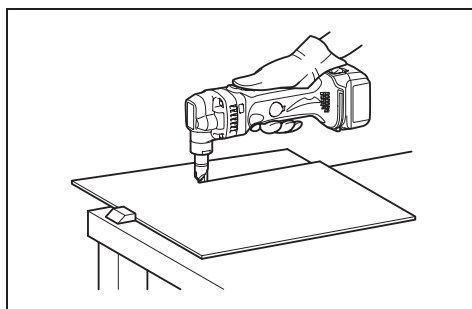
8 013274



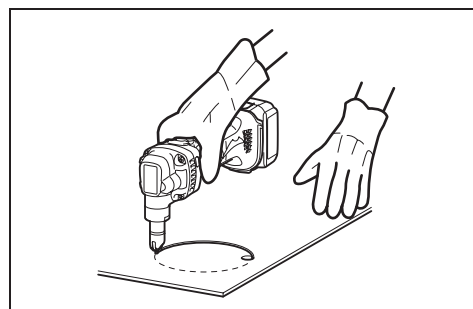
9 004781



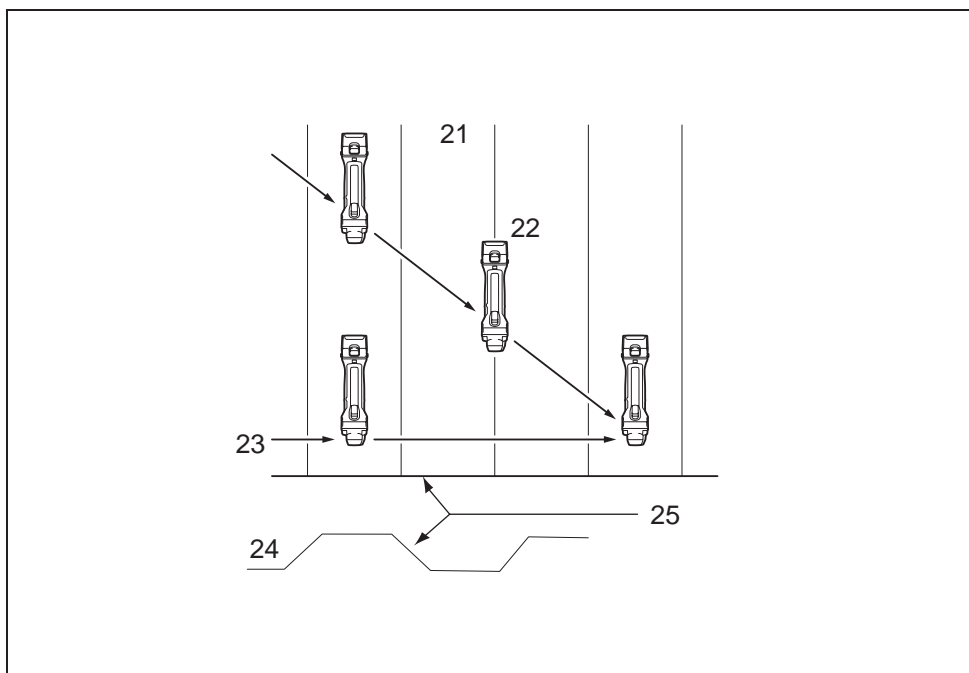
10 004782



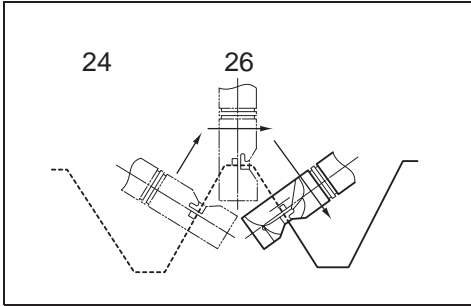
11 013278



12 013279

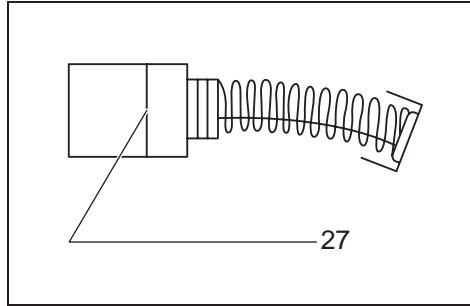


13 013280



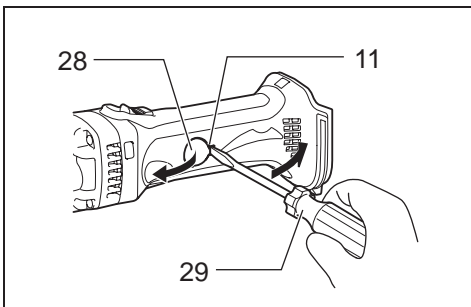
14

004791



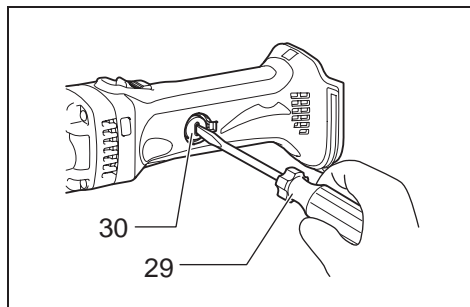
15

001145



16

013281



17

013282

ENGLISH (Original instructions)

Explanation of general view

1 Button	11 Notch	23 Cutting perpendicular to grooves
2 Red indicator	12 Slide switch	24 From the side view
3 Battery cartridge	13 Indicating lamp	25 Corrugated or trapezoidal sheet metal
4 Star marking	14 Die	26 Cutting head should be at a right angle (90°) to cutting surface.
5 Die holder	15 Bolts	27 Limit mark
6 Lock nut	16 Hex wrench	28 Holder cap cover
7 Loosen	17 Punch	29 Screwdriver
8 Wrench	18 Punch holder	30 Brush holder cap
9 Gauge for cutting stainless: 1.2 mm (3/64")	19 Screw	
10 Gauge for cutting mild steel: 1.6 mm (1/16")	20 Tighten	
	21 From the top view	
	22 Cutting at an angle to grooves	

SPECIFICATIONS

Model		DJN160	DJN161
Max. cutting capacities	Steel up to 400 N/mm ²	1.6 mm/16 ga	1.6 mm/16 ga
	Steel up to 600 N/mm ²	1.2 mm/18 ga	1.2 mm/18 ga
	Aluminum up to 200 N/mm ²	2.5 mm/12 ga	2.5 mm/12 ga
Min. cutting radius	Outside edge	50 mm	50 mm
	Inside edge	45 mm	45 mm
Strokes per minute (min ⁻¹)		1,900	1,900
Overall length		313 mm	313 mm
Net weight		2.1 kg	2.2 kg
Rated voltage		D.C. 14.4 V	D.C. 18 V

- Due to our continuing program of research and development, the specifications herein are subject to change without notice.
- Specifications and battery cartridge may differ from country to country.
- Weight, with battery cartridge, according to EPTA-Procedure 01/2003

ENE037-1

Intended use

The tool is intended for cutting sheet steel and stainless sheet steel.

GEA010-1

General Power Tool Safety Warnings

⚠ WARNING Read all safety warnings and all instructions. Failure to follow the warnings and instructions may result in electric shock, fire and/or serious injury.

Save all warnings and instructions for future reference.

NIBBLER SAFETY WARNINGS

1. Hold the tool firmly.
2. Secure the workpiece firmly.
3. Keep hands away from moving parts.
4. Edges and chips of the workpiece are sharp. Wear gloves. It is also recommended that you put on thickly bottomed shoes to prevent injury.
5. Do not put the tool on the chips of the workpiece. Otherwise it can cause damage and trouble on the tool.
6. Do not leave the tool running. Operate the tool only when hand-held.
7. Always be sure you have a firm footing. Be sure no one is below when using the tool in high locations.
8. Do not touch the punch, die or the workpiece immediately after operation; they may be extremely hot and could burn your skin.
9. Avoid cutting electrical wires. It can cause serious accident by electric shock.

SAVE THESE INSTRUCTIONS.

⚠ WARNING:

DO NOT let comfort or familiarity with product (gained from repeated use) replace strict adherence to safety rules for the subject product. MISUSE or failure to follow the safety rules stated in this instruction manual may cause serious personal injury.

GEB028-2

IMPORTANT SAFETY INSTRUCTIONS

FOR BATTERY CARTRIDGE

1. Before using battery cartridge, read all instructions and cautionary markings on (1) battery charger, (2) battery, and (3) product using battery.
2. Do not disassemble battery cartridge.
3. If operating time has become excessively shorter, stop operating immediately. It may result in a risk of overheating, possible burns and even an explosion.
4. If electrolyte gets into your eyes, rinse them out with clear water and seek medical attention right away. It may result in loss of your eyesight.
5. Do not short the battery cartridge:
 - (1) Do not touch the terminals with any conductive material.
 - (2) Avoid storing battery cartridge in a container with other metal objects such as nails, coins, etc.
 - (3) Do not expose battery cartridge to water or rain.

A battery short can cause a large current flow, overheating, possible burns and even a breakdown.
6. Do not store the tool and battery cartridge in locations where the temperature may reach or exceed 50°C (122°F).
7. Do not incinerate the battery cartridge even if it is severely damaged or is completely worn out. The battery cartridge can explode in a fire.
8. Be careful not to drop or strike battery.
9. Do not use a damaged battery.
10. Follow your local regulations relating to disposal of battery.

SAVE THESE INSTRUCTIONS.

Tips for maintaining maximum battery life

1. Charge the battery cartridge before completely discharged.
Always stop tool operation and charge the battery cartridge when you notice less tool power.
2. Never recharge a fully charged battery cartridge. Overcharging shortens the battery service life.
3. Charge the battery cartridge with room temperature at 10°C – 40°C (50°F – 104°F). Let a hot battery cartridge cool down before charging it.
4. Charge the battery cartridge once in every six months if you do not use it for a long period of time.

FUNCTIONAL DESCRIPTION

⚠ CAUTION:

- Always be sure that the tool is switched off and the battery cartridge is removed before adjusting or checking function on the tool.

Installing or removing battery cartridge (Fig. 1)

⚠ CAUTION:

- Always switch off the tool before installing or removing of the battery cartridge.
- Hold the tool and the battery cartridge firmly when installing or removing battery cartridge. Failure to hold the tool and the battery cartridge firmly may cause them to slip off your hands and result in damage to the tool and battery cartridge and a personal injury.

To remove the battery cartridge, slide it from the tool while sliding the button on the front of the cartridge.

To install the battery cartridge, align the tongue on the battery cartridge with the groove in the housing and slip it into place. Insert it all the way until it locks in place with a little click. If you can see the red indicator on the upper side of the button, it is not locked completely.

⚠ CAUTION:

- Always install the battery cartridge fully until the red indicator cannot be seen. If not, it may accidentally fall out of the tool, causing injury to you or someone around you.
- Do not install the battery cartridge forcibly. If the cartridge does not slide in easily, it is not being inserted correctly.

Battery protection system (Fig. 2)

The tool is equipped with a battery protection system. This system automatically cuts off power to the motor to extend battery life.

The tool will automatically stop during operation if the tool and/or battery are placed under one of the following conditions:

• Overloaded:

The tool is operated in a manner that causes it to draw an abnormally high current.

In this situation, turn the tool off and stop the application that caused the tool to become overloaded. Then turn the tool on to restart.

If the tool does not start, the battery is overheated. In this situation, let the battery cool before turning the tool on again.

• Low battery voltage:

The remaining battery capacity is too low and the tool will not operate. In this situation, remove and recharge the battery.

NOTE:

- The overheat protection works only with a battery cartridge with a star mark.

Changing the die position (Fig. 3)

The die holder position can be changed 360°. To change it, proceed as follows.

1. Loosen the lock nut with the wrench provided.
2. Pull the die holder slightly and turn it to the desired position for operation.
3. Tighten the lock nut to secure the die holder in the desired position.

There are four positive stops at 90° each: 0°, 90° left and right and 180°. To position the die to any of these positive stops:

4. Loosen the lock nut with the wrench provided.
5. Pull the die holder slightly and depress lightly while turning it to the desired position. The die holder will lock into one of the positive stop positions as desired.
6. Turn the die holder slightly to make sure that it is positively locked into position.
7. Tighten the lock nut to secure the die holder.

Permissible cutting thickness (Fig. 4)

The thickness of material to be cut depends upon the tensile strength of the material itself. The groove on the die holder acts as a thickness gauge for allowable cutting thickness. Do not attempt to cut any material which will not fit into this groove.

Cutting line

The notch in the die holder indicates your cutting line. Its width is equal to the cutting width. Align the notch to the cutting line on the workpiece when cutting.

Switch action (Fig. 5)

CAUTION:

- Before inserting the battery cartridge into the tool, always check to see that the slide switch actuates properly and returns to the "OFF" position when the rear of the slide switch is depressed.
- Switch can be locked in "ON" position for ease of operator comfort during extended use. Apply caution when locking tool in "ON" position and maintain firm grasp on tool.

To start the tool, slide the slide switch toward the "I (ON)" position. For continuous operation, press the front of the slide switch to lock it.

To stop the tool, press the rear of the slide switch, then slide it toward the "O (OFF)" position.

Indication lamp with multi function (Fig. 6)

Indication lamps are located in two positions.

- Battery cartridge replacing signal

- When the battery power is almost used up during operation, the red lamp lights up and the tool stops immediately. Replace the battery with fully charged one when the red lamp lights up.

- Accidental re-start preventive function

- Even if the battery cartridge is inserted on the tool with the slide switch in the "I (ON)" position, the tool does not start. At this time, the lamp flickers slowly and this shows that the accidental re-start preventive function is at work.
- To start the tool, first slide the slide switch toward the "O (OFF)" position and then slide it toward the "I (ON)" position.

ASSEMBLY

CAUTION:

- Always be sure that the tool is switched off and the battery cartridge is removed before carrying out any work on the tool.

Removing or installing the punch and die (Fig. 7, 8, 9 & 10)

Always replace the punch and die as a set. To remove the punch and die, loosen the lock nut with the wrench. Remove the die holder from the tool. Use the hex wrench to loosen the bolts which secure the die. Remove the die from the die holder.

Use the hex wrench to loosen the screw which secures the punch. Pull the punch out of the punch holder.

To install the punch and die, insert the punch into the punch holder so that the notch in the punch faces toward the screw. Tighten the screw to secure the punch. Install the die on the die holder. Tighten the bolts to secure the die.

Then install the die holder on the tool so that the punch is inserted through the hole in the die holder. Tighten the lock nut to secure the die holder. After replacing the punch and die, lubricate them with machine oil and run the tool for a while.

OPERATION

Pre-lubrication

Coat the cutting line with machine oil to increase the punch and die service life. This is particularly important when cutting aluminum.

Cutting method (Fig. 11)

Hold the tool so that the cutting head is at a right angle (90°) to the workpiece being cut. Move the tool gently in the cutting direction.

Cutouts (Fig. 12)

Cutouts can be done by first opening a round hole over 21 mm in diameter which the cutting head can be inserted into.

Cutting the corrugated or trapezoidal sheet metals (Fig. 13 & 14)

Set the die position so that the die faces the cutting direction either when cutting at an angle or perpendicular go grooves in corrugated or trapezoidal sheet metals.

Always hold the tool body parallel to the grooves with the cutting head at a right angle (90°) to the cutting surface as shown in the figure.

MAINTENANCE

CAUTION:

- Always be sure that the tool is switched off and the battery cartridge is removed before attempting to perform inspection or maintenance.
- Never use gasoline, benzine, thinner, alcohol or the like. Discoloration, deformation or cracks may result.

Replacing carbon brushes (Fig. 15, 16 & 17)

Remove and check the carbon brushes regularly. Replace when they wear down to the limit mark. Keep the carbon brushes clean and free to slip in the holders. Both carbon brushes should be replaced at the same time. Use only identical carbon brushes.

Insert the top end of slotted bit screwdriver into the notch in the tool and remove the holder cap cover by lifting it up.

Use a screwdriver to remove the brush holder caps. Take out the worn carbon brushes, insert the new ones and secure the brush holder caps.

Reinstall the holder cap cover on the tool.

To maintain product SAFETY and RELIABILITY, repairs, any other maintenance or adjustment should be performed by Makita Authorized Service Centers, always using Makita replacement parts.

OPTIONAL ACCESSORIES

⚠ CAUTION:

- These accessories or attachments are recommended for use with your Makita tool specified in this manual. The use of any other accessories or attachments might present a risk of injury to persons. Only use accessory or attachment for its stated purpose.

If you need any assistance for more details regarding these accessories, ask your local Makita Service Center.

- Die
- Punch
- Hex wrench
- Wrench 32
- Makita genuine battery and charger

NOTE:

- Some items in the list may be included in the tool package as standard accessories. They may differ from country to country.

ENG905-1

Noise

The typical A-weighted noise level determined according to EN60745:

Model DJN160

Sound pressure level (L_{pA}): 72 dB(A)
Uncertainty (K): 3 dB(A)

The noise level under working may exceed 80 dB (A).

Model DJN161

Sound pressure level (L_{pA}): 73 dB(A)
Uncertainty (K): 3 dB(A)

The noise level under working may exceed 80 dB (A).

Wear ear protection

ENG900-1

Vibration

The vibration total value (tri-axial vector sum) determined according to EN60745:

Model DJN160

Work mode: cutting sheet metal
Vibration emission (a_h): 7.0 m/s²
Uncertainty (K): 1.5 m/s²

Model DJN161

Work mode: cutting sheet metal
Vibration emission (a_h): 6.5 m/s²
Uncertainty (K): 1.5 m/s²

ENG901-1

- The declared vibration emission value has been measured in accordance with the standard test method and may be used for comparing one tool with another.
- The declared vibration emission value may also be used in a preliminary assessment of exposure.

⚠ WARNING:

- The vibration emission during actual use of the power tool can differ from the declared emission value depending on the ways in which the tool is used.
- Be sure to identify safety measures to protect the operator that are based on an estimation of exposure in the actual conditions of use (taking account of all parts of the operating cycle such as the times when the tool is switched off and when it is running idle in addition to the trigger time).

For European countries only

EC Declaration of Conformity

We Makita Corporation as the responsible manufacturer declare that the following Makita machine(s):

Designation of Machine:
Cordless Nibbler
Model No./ Type: DJN160, DJN161
are of series production and

Conforms to the following European Directives:

2006/42/EC

And are manufactured in accordance with the following standards or standardised documents:
EN60745

The technical documentation is kept by:

Makita International Europe Ltd.
Technical Department,
Michigan Drive, Tongwell,
Milton Keynes, Bucks MK15 8JD, England

26.4.2012



Tomoyasu Kato
Director

Makita Corporation
3-11-8, Sumiyoshi-cho,
Anjo, Aichi, 446-8502, JAPAN

FRANÇAIS (Instructions originales)

Descriptif

1	Bouton	12	Interrupteur à glissière	24	Vue du côté
2	Indicateur rouge	13	Témoin indicateur	25	Feuille de métal ondulée ou trapézoïdale
3	Batterie	14	Matrice	26	La tête de coupe doit être à angle droit (90°) par rapport à la surface de coupe.
4	Marque étoilée	15	Boulons	27	Repère d'usure
5	Porte-matrice	16	Clé hexagonale	28	Couvercle-capuchon de porte-balais
6	Contre-écrou	17	Poinçon	29	Tournevis
7	Desserrer	18	Porte-poinçon	30	Bouchon du porte-charbon
8	Clé	19	Vis		
9	Jauge pour couper l'acier inoxydable : 1,2 mm (3/64")	20	Serrer		
10	Jauge pour couper l'acier doux : 1,6 mm (1/16")	21	Vue du dessus		
11	Encoche	22	Coupe angulaire aux rainures		
		23	Coupe perpendiculaire aux rainures		

SPÉCIFICATIONS

Modèle		DJN160	DJN161
Capacités max. de coupe	Acier jusqu'à 400 N/mm ²	1,6 mm/16 ga	1,6 mm/16 ga
	Acier jusqu'à 600 N/mm ²	1,2 mm/18 ga	1,2 mm/18 ga
	Aluminium jusqu'à 200 N/mm ²	2,5 mm/12 ga	2,5 mm/12 ga
Rayon min. de coupe	Bord extérieur	50 mm	50 mm
	Bord intérieur	45 mm	45 mm
Nombre de courses par minute (min ⁻¹)		1 900	1 900
Longueur totale		313 mm	313 mm
Poids net		2,1 kg	2,2 kg
Tension nominale		14,4 V CC	18 V CC

- Étant donné l'évolution constante de notre programme de recherche et développement, les spécifications contenues dans ce manuel sont sujettes à modification sans préavis.
- Les spécifications et la batterie peuvent être différentes suivant les pays.
- Poids, avec la batterie, conformément à la procédure EPTA-01/2003

GEB028-2

ENE037-1

Utilisations

L'outil est conçu pour la coupe de la tôle et de la tôle inoxydable.

GEA010-1

Consignes de sécurité générales pour outils électriques

⚠ AVERTISSEMENT Veuillez lire toutes les mises en garde et toutes les instructions. Il y a risque de choc électrique, d'incendie et/ou de blessure grave si les mises en garde et les instructions ne sont pas respectées.

Conservez toutes les mises en garde et instructions pour référence ultérieure.

CONSIGNES DE SÉCURITÉ POUR GRIGNOTEUSE

1. **Saisissez l'outil fermement.**
2. **Fixez la pièce à travailler solidement.**
3. **Maintenez les mains à l'écart des pièces en mouvement.**
4. **Les bords et les copeaux de la pièce à travailler sont coupants. Portez des gants. Il est également recommandé de porter des chaussures à semelle épaisse pour prévenir les blessures.**
5. **Ne déposez pas l'outil sur les copeaux de la pièce à travailler. Sinon, l'outil risque d'être endommagé.**
6. **Ne laissez pas l'outil fonctionner tout seul. Ne le faites fonctionner que lorsque vous l'avez en mains.**
7. **Assurez-vous d'avoir les pieds en position bien stable. Assurez-vous que personne ne se trouve sous vous lorsque vous utilisez l'outil dans un endroit élevé.**
8. **Ne touchez pas le poinçon, la matrice ou la pièce à travailler immédiatement après l'utilisation de l'outil ; ils peuvent être extrêmement chauds et vous brûler la peau.**

9. Prenez garde de couper des fils électriques. Il peut en résulter un grave accident par choc électrique.

CONSERVEZ CES INSTRUCTIONS.

⚠ AVERTISSEMENT :

NE vous laissez PAS tromper (au fil d'une utilisation répétée) par un sentiment d'aisance et de familiarité avec le produit, en négligeant le respect rigoureux des consignes de sécurité qui accompagnent le produit en question. La MAUVAISE UTILISATION de l'outil ou l'ignorance des consignes de sécurité indiquées dans ce manuel d'instructions peut entraîner une blessure grave.

ENC007-8

IMPORTANTES CONSIGNES DE SÉCURITÉ

POUR LA BATTERIE

1. Avant d'utiliser la batterie, lisez toutes les instructions et précautions relatives (1) au chargeur de batterie, (2) à la batterie, et (3) à l'outil utilisant la batterie.
2. Ne démontez pas la batterie.
3. Si le temps de fonctionnement devient très court, cessez immédiatement l'utilisation. Autrement il y a risque de surchauffe, de brûlure, voire d'explosion.
4. Si de l'électrolyte pénètre dans vos yeux, rincez-les à l'eau claire et consultez immédiatement un médecin. Autrement il y a risque de blessure aux yeux.
5. Ne court-circuitez pas la batterie :
 - (1) Ne touchez les bornes avec aucun matériau conducteur.
 - (2) Évitez de ranger la batterie dans un conteneur avec d'autres objets métalliques, par exemple des clous, des pièces de monnaie, etc.
 - (3) N'exposez pas la batterie à l'eau ou à la pluie.

Un court-circuit de la batterie pourrait provoquer un fort courant, une surchauffe, parfois des brûlures et même une panne.
6. Ne rangez pas l'outil ou la batterie dans des endroits où la température risque d'atteindre ou de dépasser 50°C.
7. Ne jetez pas la batterie au feu même si elle est sérieusement endommagée ou complètement épuisée. La batterie peut exploser au contact du feu.
8. Prenez garde d'échapper ou de heurter la batterie.
9. N'utilisez pas une batterie abîmée.
10. La batterie doit être éliminée conformément aux réglementations locales en vigueur.

CONSERVEZ CES INSTRUCTIONS.

Conseils pour assurer la durée de vie optimale de la batterie

1. Rechargez la batterie avant qu'elle ne soit complètement déchargée. Arrêtez toujours l'outil et rechargez la batterie quand vous remarquez que la puissance de l'outil diminue.

2. Ne rechargez jamais une batterie complètement chargée.
La surcharge réduit la durée de service de la batterie.
3. Chargez la batterie alors que la température de la pièce se trouve entre 10°C à 40°C. Avant de charger une batterie chaude, laissez-la refroidir.
4. Chargez la batterie tous les six mois si elle reste inutilisée pendant une période prolongée.

DESCRIPTION DU FONCTIONNEMENT

⚠ ATTENTION :

- Vérifiez toujours que l'outil est hors tension et que la batterie est retirée avant d'ajuster l'outil ou de vérifier son fonctionnement.

Pose ou retrait de la batterie (Fig. 1)

⚠ ATTENTION :

- Mettez toujours l'outil hors tension avant de poser ou de retirer la batterie.
- Lorsque vous posez ou retirez la batterie, tenez fermement l'outil et la batterie. Si vous ne tenez pas fermement l'outil et la batterie, ils risquent de s'abîmer en vous glissant des mains, et vous courez un risque de blessure corporelle.

Pour retirer la batterie, faites-la glisser hors de l'outil tout en faisant glisser le bouton qui se trouve à l'avant de la batterie.

Pour poser la batterie, alignez sa languette sur la rainure à l'intérieur du carter, et faites-la glisser en place. Insérez-la à fond, jusqu'à ce qu'elle se mette en place avec un léger déclic. Si vous pouvez voir l'indicateur rouge du côté supérieur du bouton, la batterie n'est pas complètement verrouillée.

⚠ ATTENTION :

- Insérez toujours la batterie à fond, jusqu'à ce que l'indicateur rouge ne soit plus visible. Sinon, elle pourrait tomber accidentellement de l'outil, au risque de vous blesser ou de blesser quelqu'un se trouvant près de vous.
- Ne forcez pas pour insérer la batterie. Si elle ne glisse pas facilement, c'est que vous ne l'insérez pas correctement.

Dispositif de protection de la batterie (Fig. 2)

L'outil est doté d'un dispositif de protection de la batterie. Ce dispositif coupe automatiquement l'alimentation de l'outil pour prolonger la durée de service de la batterie. Si l'outil ou la batterie se trouve dans l'une ou l'autre des situations suivantes, l'outil cessera automatiquement de fonctionner :

• Surchargé :

L'outil est utilisé de manière telle qu'il consomme un courant anormalement élevé.

Il faut mettre l'outil hors tension et arrêter l'application qui cause la surcharge. Remettez ensuite l'outil sous tension pour redémarrer.

Si l'outil ne démarre pas, cela signifie que la batterie est trop chaude. Il faut alors laisser refroidir la batterie avant de remettre l'outil sous tension.

• Faible tension de la batterie :

La charge restante de la batterie étant trop faible, l'outil ne fonctionne pas. Le cas échéant, retirez la batterie et rechargez-la.

NOTE :

- La protection contre la surchauffe ne fonctionne qu'avec une batterie portant une marque en forme d'étoile.

Changement de position de la matrice (Fig. 3)

La position du porte-matrice peut être modifiée de 360°. Pour la modifier, procédez comme suit.

1. Desserrez le contre-écrou à l'aide de la clé fournie.
 2. Tirez légèrement sur le porte-matrice et tournez-le jusqu'à la position souhaitée pour l'exécution du travail.
 3. Serrez le contre-écrou pour fixer le porte-matrice sur la position souhaitée.
- Il y a quatre arrêts fixes, situés à 90° l'un de l'autre : 0°, 90° à gauche et à droite, et 180°. Pour placer la matrice sur un de ces arrêts fixes :
4. Desserrez le contre-écrou à l'aide de la clé fournie.
 5. Tirez légèrement sur le porte-matrice et enfoncez-le légèrement tout en le tournant jusqu'à la position souhaitée. Le porte-matrice se verrouillera sur la position d'arrêt fixe souhaitée.
 6. Tournez légèrement le porte-matrice pour vous assurer qu'il est bien verrouillé en position.
 7. Serrez le contre-écrou pour fixer le porte-matrice.

Épaisseur de coupe admissible (Fig. 4)

L'épaisseur de matériau à couper dépend de la résistance à la traction du matériau lui-même. La rainure du porte-matrice tient lieu de jauge d'épaisseur pour l'épaisseur de coupe admissible. N'essayez pas de couper un matériau qui n'entre pas dans cette rainure.

Ligne de coupe

Le cran du porte-matrice vous indique la ligne de coupe. Sa largeur est égale à la largeur de coupe. Alignez le cran sur la ligne de coupe de la pièce à travailler lorsque vous coupez.

Interrupteur (Fig. 5)

⚠ ATTENTION :

- Avant d'insérer la batterie dans l'outil, vérifiez toujours que l'interrupteur à glissière fonctionne correctement et revient sur la position d'arrêt (OFF) lorsque vous enfoncez l'arrière de l'interrupteur à glissière.
- Vous pouvez verrouiller l'interrupteur sur la position de marche (ON) pour plus de confort en cas d'utilisation prolongée. Soyez prudent lorsque vous verrouillez l'outil sur la position de marche (ON), et gardez une prise ferme sur l'outil.

Pour démarrer l'outil, faites glisser l'interrupteur à glissière sur la position "I (ON)". Pour un fonctionnement continu, appuyez sur l'avant de l'interrupteur à glissière pour le verrouiller.

Pour arrêter l'outil, appuyez sur l'arrière de l'interrupteur à glissière, puis faites-le glisser vers la position "O (OFF)".

Témoin indicateur à fonctions multiples (Fig. 6)

Les témoins indicateurs sont situés en deux positions.

- Signal de remplacement de la batterie

- Si la batterie s'épuise presque complètement pendant l'exécution du travail, le témoin rouge s'allumera et l'outil s'arrêtera aussitôt. Lorsque le témoin rouge s'allume, remplacez la batterie par une autre complètement chargée.

- Fonction de prévention du redémarrage accidentel

- L'outil ne démarrera pas même si la batterie y est insérée alors que l'interrupteur à glissière se trouve sur la position "I (ON)". Le témoin clignotera alors lentement pour indiquer que la fonction de prévention du redémarrage accidentelle s'est activée.
- Pour faire démarrer l'outil, glissez d'abord l'interrupteur à glissière vers la position "O (OFF)", puis vers la position "I (ON)".

ASSEMBLAGE

⚠ ATTENTION :

- Assurez-vous toujours que l'outil est hors tension et que sa batterie est retirée avant d'effectuer tout travail dessus.

Retrait ou pose du poinçon et de la matrice (Fig. 7, 8, 9 et 10)

Remplacez toujours le poinçon et la matrice en même temps. Pour retirer le poinçon et la matrice, desserrez le contre-écrou à l'aide de la clé. Retirez le porte-matrice de l'outil. Utilisez la clé hexagonale pour desserrer les boulons qui retiennent la matrice. Retirez la matrice du porte-matrice.

Utilisez la clé hexagonale pour desserrer la vis qui retient le poinçon. Tirez sur le poinçon pour le retirer du porte-poinçon.

Pour poser le poinçon et la matrice, insérez le poinçon dans le porte-poinçon avec le cran du poinçon orienté vers la vis. Serrez la vis pour fixer le poinçon. Posez la matrice sur le porte-matrice. Serrez les boulons pour fixer la matrice.

Posez ensuite le porte-matrice sur l'outil, de sorte que le poinçon soit inséré dans l'orifice du porte-matrice. Serrez le contre-écrou pour fixer le porte-matrice. Après le remplacement du poinçon et de la matrice, lubrifiez-les avec de l'huile à machine et faites tourner l'outil un moment.

UTILISATION

Prélubrification

Recouvrez la ligne de coupe d'huile à machine pour prolonger la durée de service du poinçon et de la matrice. Cela est tout particulièrement important lorsque vous coupez de l'aluminium.

Méthode de coupe (Fig. 11)

Saisissez l'outil de sorte que la tête de coupe soit à angle droit (90°) par rapport à la pièce à couper. Déplacez l'outil doucement dans le sens de la coupe.

Découpes (Fig. 12)

Les découpes peuvent être effectuées en perçant d'abord un trou rond de plus de 21 mm de diamètre qui permettra d'insérer la tête de coupe.

Coupe des feuilles de métal ondulées ou trapézoïdales (Fig. 13 et 14)

Placez la matrice de sorte qu'elle soit face au sens de la coupe lorsque vous coupez sur un angle ou perpendiculairement aux rainures dans des feuilles de métal ondulées ou trapézoïdales.

Maintenez toujours le corps de l'outil parallèle aux rainures et avec la tête de coupe à angle droit (90°) par rapport à la surface de coupe, tel qu'illustré sur la figure.

ENTRETIEN

ENG905-1

ATTENTION :

- Assurez-vous toujours que l'outil est hors tension et la batterie retirée avant d'effectuer tout travail d'inspection ou d'entretien.
- N'utilisez jamais d'essence, benzine, diluant, alcool ou autre produit similaire. Cela risquerait de provoquer la décoloration, la déformation ou la fissuration de l'outil.

Remplacement des charbons (Fig. 15, 16 et 17)

Retirez et vérifiez régulièrement les charbons. Remplacez-les lorsqu'ils sont usés jusqu'au repère d'usure. Maintenez les charbons propres et en état de glisser aisément dans les porte-charbon. Les deux charbons doivent être remplacés en même temps. N'utilisez que des charbons identiques.

Insérez la pointe d'un tournevis à pointe plate dans le cran de l'outil, et soulevez le couvercle-capuchon de porte-balais pour le retirer.

Retirez les bouchons de porte-charbon à l'aide d'un tournevis. Enlevez les charbons usés, insérez les charbons neufs et revissez solidement les bouchons de porte-charbon.

Remettez en place le couvercle-capuchon de porte-balais sur l'outil.

Pour maintenir la SÉCURITÉ et la FIABILITÉ du produit, les réparations, travaux d'entretien et autres réglages doivent être effectués dans un centre de service Makita agréé, exclusivement avec des pièces de rechange Makita.

ACCESSOIRES EN OPTION

ATTENTION :

- Ces accessoires ou pièces complémentaires sont recommandés pour l'utilisation avec l'outil Makita spécifié dans ce mode d'emploi. L'utilisation de tout autre accessoire ou pièce complémentaire peut comporter un risque de blessure. N'utilisez les accessoires ou pièces qu'aux fins auxquelles ils ont été conçus.

Si vous désirez obtenir plus de détails concernant ces accessoires, veuillez contacter le centre de service après-vente Makita le plus près.

- Matrice
- Poinçon
- Clé hexagonale
- Clé 32
- Batterie et chargeur Makita authentiques

NOTE :

- Il se peut que certains éléments de la liste soient compris dans l'emballage de l'outil en tant qu'accessoires standard. Ils peuvent varier d'un pays à l'autre.

Bruit

Niveau de bruit pondéré A typique, déterminé selon EN60745 :

Modèle DJN160

Niveau de pression sonore (L_{pA}) : 72 dB(A)
Incertitude (K) : 3 dB(A)

Le niveau de bruit en fonctionnement peut dépasser 80 dB (A).

Modèle DJN161

Niveau de pression sonore (L_{pA}) : 73 dB(A)
Incertitude (K) : 3 dB(A)

Le niveau de bruit en fonctionnement peut dépasser 80 dB (A).

Porter des protecteurs anti-bruit

ENG900-1

Vibrations

Valeur totale de vibrations (somme de vecteur triaxial) déterminée selon EN60745 :

Modèle DJN160

Mode de travail : découpe de tôle
Émission de vibrations (a_h) : 7,0 m/s²
Incertitude (K) : 1,5 m/s²

Modèle DJN161

Mode de travail : découpe de tôle
Émission de vibrations (a_h) : 6,5 m/s²
Incertitude (K) : 1,5 m/s²

ENG901-1

- La valeur d'émission de vibrations déclarée a été mesurée conformément à la méthode de test standard et peut être utilisée pour comparer les outils entre eux.
- La valeur d'émission de vibrations déclarée peut aussi être utilisée pour l'évaluation préliminaire de l'exposition.

AVERTISSEMENT :

- L'émission de vibrations lors de l'usage réel de l'outil électrique peut être différente de la valeur d'émission déclarée, suivant la façon dont l'outil est utilisé.
- Les mesures de sécurité à prendre pour protéger l'utilisateur doivent être basées sur une estimation de l'exposition dans des conditions réelles d'utilisation (en tenant compte de toutes les composantes du cycle d'utilisation, comme par exemple le moment de sa mise hors tension, lorsqu'il tourne à vide et le moment de son déclenchement).

Pour les pays d'Europe uniquement

Déclaration de conformité CE

Makita Corporation, en tant que fabricant responsable, déclare que la ou les machine(s) Makita suivante(s) :

Désignation de la machine :

Grignoteuse Sans Fil

N° de modèle / Type : DJN160, DJN161

sont produites en série et

sont conformes aux directives européennes

suivantes :

2006/42/CE

et qu'elles sont fabriquées conformément aux normes ou documents normalisés suivants :

EN60745

La documentation technique est conservée par :

Makita International Europe Ltd.

Service technique,

Michigan Drive, Tongwell,

Milton Keynes, Bucks MK15 8JD, Angleterre

26.4.2012



Tomoyasu Kato

Directeur

Makita Corporation

3-11-8, Sumiyoshi-cho,
Anjo, Aichi, 446-8502, JAPAN