

DOLMAR



English / Français / Spanish

HEDGE TRIMMER

TAILLE-HAIES

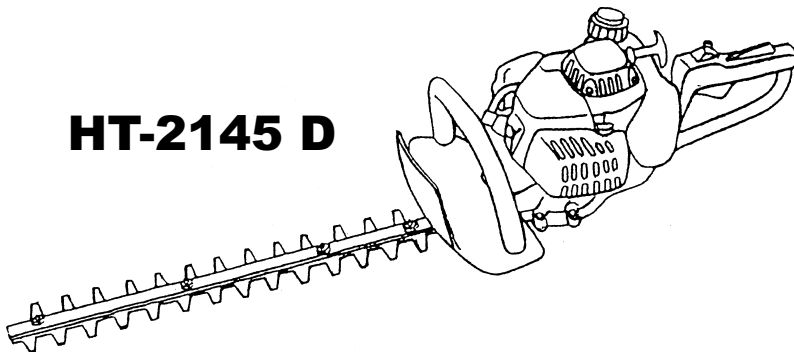
CORTASETOS

HT-2145 D

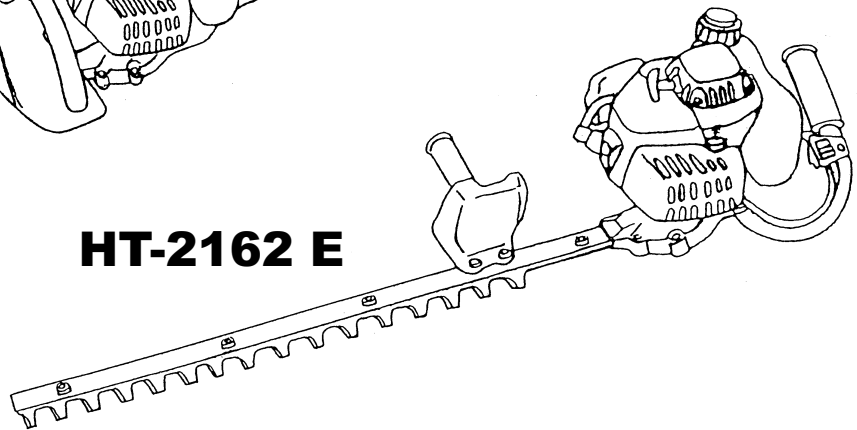
HT-2162 E

INSTRUCTION MANUAL MANUEL D'INSTRUCTIONS MANUAL DE INSTRUCCIONES

HT-2145 D



HT-2162 E



WARNING:

To reduce the RISK of injury, user must read and understand the instruction manual before using the Hedge Trimmer.
Manufacturer reserves the right to change specifications without notice.
Specifications may differ from country to country.
Do only hand over the Hedge Trimmer together with this manual.

Avertissement:

Afin d'éviter les blessures, l'utilisateur doit lire et comprendre les instructions de ce manuel avec attention avant d'utiliser le taille-haies.
Le fabricant se réserve le droit de modifier les spécifications sans avertissement préalable. Les spécifications peuvent varier d'un pays à l'autre. Lorsque vous n'utilisez pas le toujours accompagner l'appareil du manuel contenant les instructions.

ADVERTENCIA:

Para reducir el riesgo de posibles lesiones, el usuario deberá leer y entender las instrucciones de este manual antes de utilizar el cortasetos. El fabricante se reserva el derecho de cambiar las especificaciones sin previo aviso. Las especificaciones pueden variar de un país a otro. Ceda únicamente el cortasetos junto con este manual.

Thank you very much for selecting the DOLMAR Hedge Trimmer. We are pleased to be able to offer you the DOLMAR Hedge Trimmer which is the result of a long development program and many ears of knowledge and experience.

The Hedge Trimmer models HT-2145 D/HT-2162 E combines the advantages of state-of-the-art technology with ergonomic design, they are light weight, handy, compact and represent professional equipment for a great variety of applications.

For your safety and best tool performance, be sure to read, understand and follow all the safety and operating procedures listed in the instruction manual before operation.



Table of Contents

Page

Symbols	2
Safety instructions	3-6
Specification	6
Name of major parts	7
Fuels/Refuelling	8-9
Precautions before starting	9
Starting the machine	10
Stopping the machine	10
Operation of the machine	11
Maintenance instructions	12-14
Storage	15
Maintenance schedule	15
Fault location	15

SYMBOLS

It is very important to understand the following symbols when reading this instructions manual.

	WARNING/DANGER		Fuel and Oil Mixture
	Read, Understand and Follow Instruction Manual		Engine-manual Start
	Forbidden		Emergency Stop
	No Smoking		First Aid
	No Open Flame		Recycling
	Protective Gloves must be Worn		
	Keep the Area of Operation Clear of All Persons and Pets		ON/START
	Wear Eye and Ear Protection		OFF/STOP

SAFETY INSTRUCTIONS

General Instructions

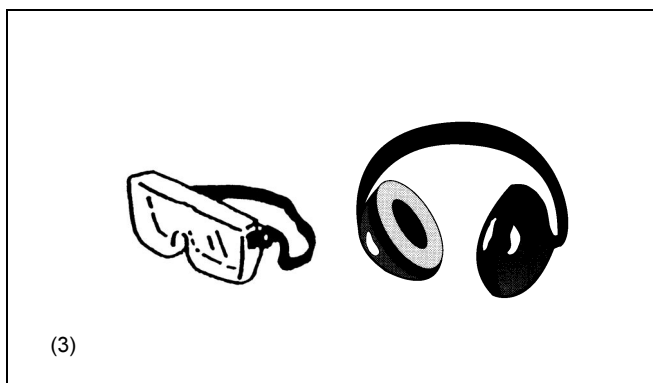
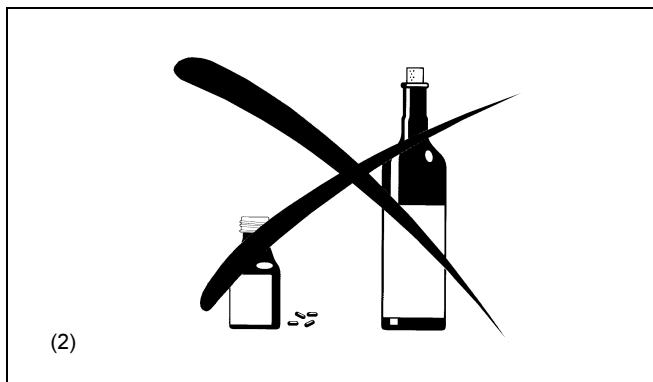
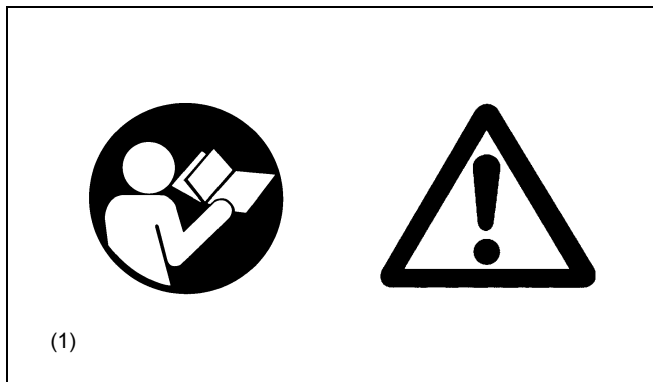
- This machine can cause serious injuries if used incorrectly. To ensure correct operation, users have to read this instruction manual to make themselves familiar with the handling of the Hedge Trimmer. Users insufficiently informed will risk danger to themselves as well as others due to improper handling. (1)
- It is recommended only to loan the Hedge Trimmer to people who have proven to be experienced with Hedge Trimmers. Always hand over the instruction manual.
- First-time users should ask the dealer for basic instructions to familiarize themselves with the handling of an engine powered Hedge Trimmer.
- Children and young persons aged under 18 years must not be allowed to operate the Hedge Trimmer. Persons over the age of 16 years may however use the device for the purpose of being trained only while under the supervision of a qualified trainer .
- Use the Hedge Trimmer with the utmost care and attention.
- Operate the Hedge Trimmer only if you are in good physical condition. Perform all work calmly and carefully. The user has to accept liability for others.
- Never use the Hedge Trimmer after consumption of alcohol or drugs, or if feeling tired or ill. (2)

Intended use of the machine

- The Hedge Trimmer is only designed for the purpose of trimming bushes and hedges, and must not be used for any other purpose. Do Not abuse the Trimmer.

Personal protective equipment

- The blade cover must be fitted when transporting the machine.
- The clothing worn should be functional and appropriate, i.e. it should be tight-fitting but not cause hindrance. Do not wear jewelry or loose clothing which could become entangled with bushes or shrubs, or the machine.
- In order to avoid eye, hand or foot injuries as well as to protect your hearing, the following protective equipment and protective clothing must be used during operation of the Hedge Trimmer.
- Always wear safety goggles for eye protection that meets ANSI Z87.1.
- Wear adequate noise protection equipment to avoid hearing impairment, ear muffs, ear plugs, etc. (3)
- Wear proper clothing to protect legs and other exposed parts of your body. (4)
- Gloves made of thick leather are part of the prescribed equipment and must always be worn during operation of the Hedge Trimmer. (4)
- When using the Hedge Trimmer, always wear sturdy shoes with a non-slip sole. This protects against injuries and ensures a good footing. (4)



Starting up the Hedge Trimmer

- Please make sure that there are children or other people within a working range of 50 feet or 15 meters (5), also pay attention to any animals in the working vicinity
- **Before operating, always check that the Hedge Trimmer is safe for operation:**
Check the security of the throttle lever. The throttle lever should be checked for smooth and easy action. Check for proper functioning of the throttle lever lock. Check for clean and dry handles and test the function of the STOP switch. Keep handles free of oil and fuel.

Start the Hedge Trimmer only in accordance with the instructions.

Do not use any other methods for starting the engine (6)!

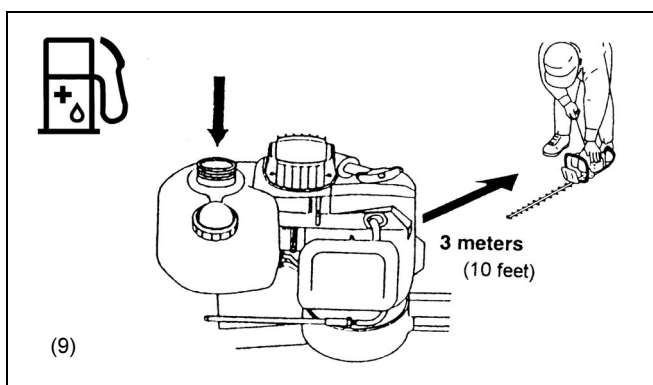
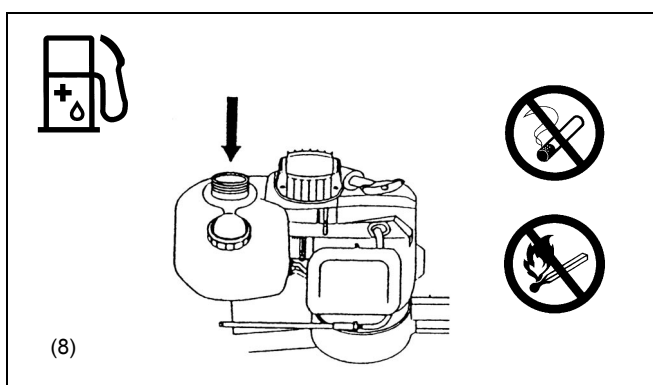
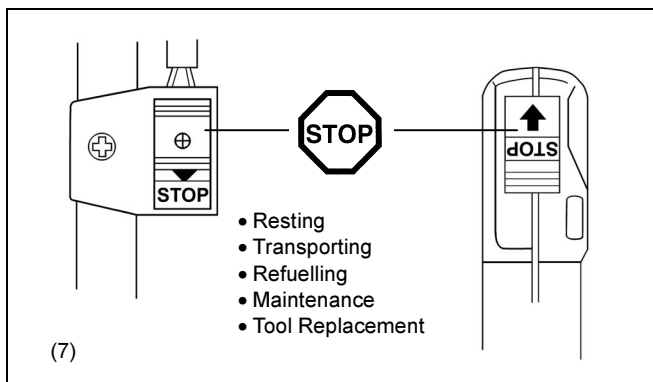
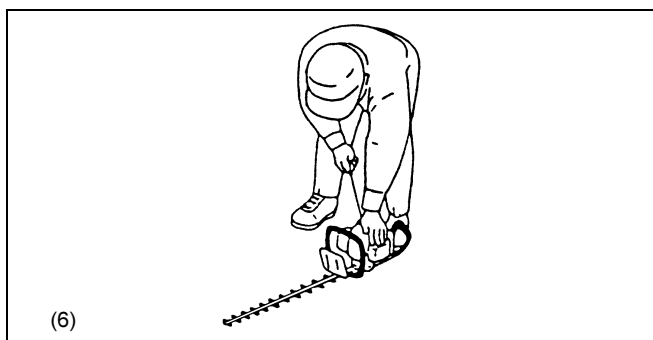
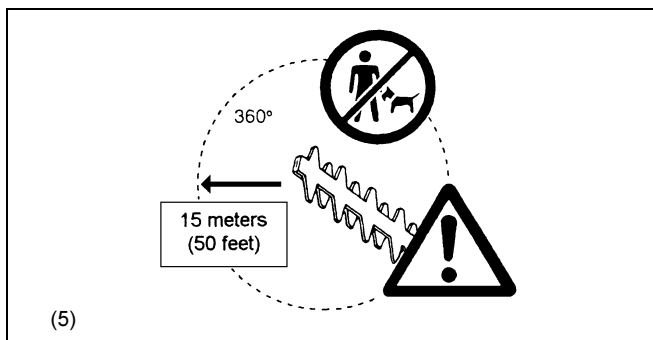
- Use the Hedge Trimmer only for applications specified.
- Start the Hedge Trimmer engine only after the entire assembly is done. Operation of the Hedge Trimmer is permitted only after all the appropriate accessories are attached!
- Before starting, make sure that the cutter blade will not contact any objects such as branches, stones, etc.
- The engine is to be stopped immediately if there are any engine problems.
- When working with the Hedge Trimmer, keep both hands on handles always wrap your fingers tightly around the handle, keeping the control handle cradled between your thumb and forefinger. Keep your hand in this position to have your machine under control at all times. Make sure your control handle is in good condition and free of moisture, pitch, oil or grease.

Always ensure a safe, well-balanced footing

- Only use outdoors.
- Operate the Hedge Trimmer in such a manner as to avoid inhalation of the exhaust gases. Never run the engine in enclosed rooms (risk of suffocation and gas poisoning). Carbon monoxide is an odorless gas. Always ensure there is adequate ventilation.
- Stop the engine when resting and when leaving the Hedge Trimmer unattended. Place it in a safe location to prevent danger to others, setting fire to combustible materials or damage to the machine.
- Never lay down the hot Hedge Trimmer onto dry grass or onto any combustible materials.
- Never operate the engine with a faulty exhaust muffler.
- Stop the engine during transport (7).
- Secure the tool properly before transporting in vehicle to avoid fuel leakage.
- When transporting the Hedge Trimmer ensure that the fuel tank is completely empty to avoid fuel leakage.

Refuelling

- To reduce the risk of fire and burn injury; handle fuel with care. It is highly flammable.
- Stop the engine before refuelling (7), keep well away from open flame (8) and do not smoke.
- Do not attempt to refuel a hot or a running engine.
- Avoid skin contact with petroleum products. Do not inhale fuel vapor. Always wear protective gloves during refuelling. Change and clean protective clothing at regular intervals.
- Take care not to spill either fuel or oil always wipe unit dry before starting engine. Allow wet cloths to dry before disposing in proper, covered container to prevent spontaneous combustion.
- Avoid any fuel contact with your clothing. Change your clothing immediately if fuel has been spilled on it (danger hazard).
- Inspect the fuel cap at regular intervals making sure that it stays securely fastened.
- Carefully tighten the locking screw of the fuel tank. Move at least 10 ft (3 meters) away from the refuelling point before starting engine.
- Never refuel in closed rooms. Fuel vapors accumulate at ground level (risk of explosions).
- Only transport and store fuel in approved containers. Make sure stored fuel is not accessible to children.
- When mixing gasoline with two-cycle engine oil, use only gasoline which contains no ethanol or methanol (types of alcohol). This will help to prevent damage to fuel lines and other engine parts.
- Make sure the unit is properly assembled and in good operating condition.



Method of operation

- Use the Hedge Trimmer only in good light and visibility. During cold seasons beware of slippery or wet areas, ice and snow (risk of slipping). Always ensure a safe footing.
- Do not overreach or stand on unstable support. Keep good footing and balance at all times.
- Keep both feet on the ground.
- Never stand on a ladder and the Hedge Trimmer.
- Never climb up into trees to perform cutting operation with the Hedge Trimmer.
- **DANGER-CUT HAZAARD-KEEP HANDS AWAY FROM BLADES.** Don't feed twigs or other material to be cut into the blade with your hands or reach over the moving blade to pick up clippings. Never grasp the exposed cutting blades or cutting edges when picking up or holding the tool. **CAUTION**-Blade may coast after its turned off.
- **KEEP HANDS AND ALL PARTS OF BODY AWAY** from blade. The edges are sharp and can cause injury even when the tool is "OFF"
- **BEFORE TRIMMING**, inspect areas for wires, cords, glass or other foreign objects which could come in contact with the blade.
- Keep both hands on the handles when operating a Hedge Trimmer. Never grasp exposed cutting blades of Hedge Trimmer.
- Make sure engine is stopped and blades have stopped moving before clearing jammed material.
- Be aware of any and all electric lines and electric fences. Check all areas for electrical lines before cutting.
- To reduce the risk of stumbling and loss of control, do not walk backward while operating the machine.

Maintenance instructions

- Always stop the engine before cleaning or servicing the unit or replacing parts.
- **MAINTAIN TOOL WITH CARE.** Keep cutting edges sharp and clean for best and safest performance. Follow instructions for lubricating and proper maintenance.
- Be kind to the environment. Operate the Hedge Trimmer with as little noise and pollution as possible. In particular check the correct adjustment of the carburetor.
- Clean the Hedge Trimmer at regular intervals and check that all screws and nuts are securely tightened.
- Never service or store the Hedge Trimmer in the vicinity of open flames, sparks, etc. (11).
- Always store the Hedge Trimmer in a well-ventilated locked room and with an emptied fuel tank out of reach of children.

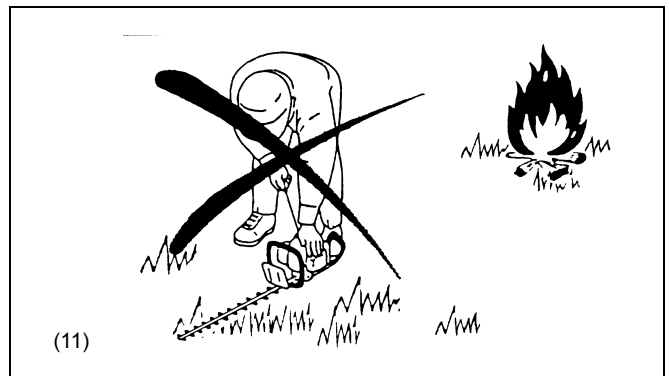
Observe and follow all relevant accident prevention instructions issued by the trade associations safety board and by insurance companies.

Do not perform any modifications to the Hedge Trimmer as this will risk your safety.

The performance of maintenance or repair work by the user is limited to those activities as described in this instruction manual. All other work is to be done by DOLMAR authorized or Factory Service Centers.

Use only genuine spare parts and accessories supplied by DOLMAR authorized or factory service centers.

Use of non-approved accessories and tools means increased risk of accidents and injuries. DOLMAR will not accept any liability for accidents or damage caused by the use of any non-approved accessories.



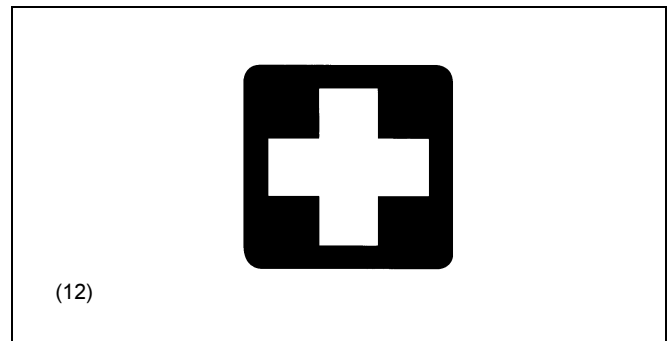
First aid

In case of an accident make sure that a well-stocked first-aid kit according to DIN 13164, is available in the vicinity of the cutting operations.

Immediately replace any item taken from the first aid kit.

Packaging

The DOLMAR Hedge Trimmer is delivered in a protective cardboard box to prevent shipping damage. Cardboard is a basic raw material and is therefore consequently reusable or suitable for recycling (waste paper recycling).



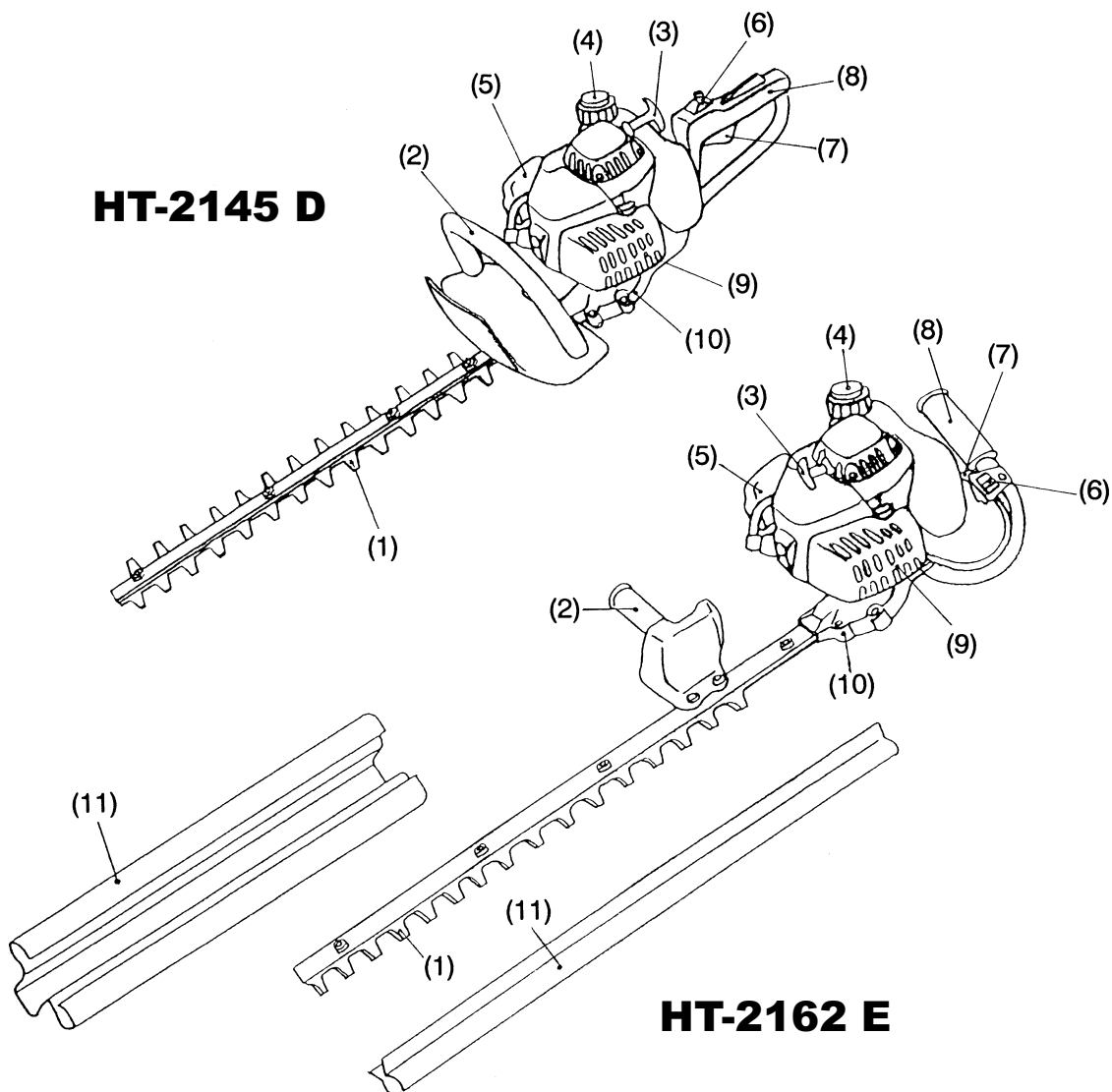
SPECIFICATION

Model		HT-2145 D	HT-2162 E
Dimensions (L x W x H)	mm	964 x 244 x 218	1,063 x 288 x 218
Mass (with blade cover)	kg	4.4	4.5
Volume (fuel tank)	L	0.4	
Engine displacement	cm ³	21.0	
Cutting length	mm	450	620
Maximum engine performance	kw	0.60	
Maximum blade speed	m/s	1.8	
Idling speed	1/min	3,000	
Clutch engagement speed	1/min	4,000	
Carburetor type	type	WALBRO WYL	
Ignition system	type	Solid ignition system	
Spark plug	type	NGK-BPM4A	
Electrode gap	mm	0.6 ~ 0.7	
Mixture ratio (fuel : DOLMAR 2-stroke oil)		50 : 1	
Gear ratio		8 : 34	

1) The data takes equally into account idling and racing speed operating modes.

NAME OF MAJOR PARTS

HT-2145 D



HT-2162 E

	NAME OF MAJOR PARTS		NAME OF MAJOR PARTS
1	Blade	7	Throttle lever
2	Front handle	8	Rear handle
3	Recoil starter	9	Muffler
4	Fuel tank cap	10	Gearbox
5	Carburetor	11	Blade cover
6	STOP Switch (ON-OFF)		

FUELS/REFUELLING

Fuel and oil mixture

Inspect the fuel tank and fill with clean, fresh fuel of the proper mixture to assure the longer life of the tool. Use the following mixed gas.

Gasoline : DOLMAR genuine two-stroke engine oil = 50 : 1 or

Gasoline : Other manufacturer's two-stroke engine oil = 25 : 1 recommended

FOR CALIFORNIA REGULATION :

THIS EQUIPMENT IS CERTIFIED TO OPERATE ON GASOLINE + TWO-STROKE ENGINE OIL

WHEN MIXING GASOLINE WITH TWO-STROKE ENGINE OIL, USE ONLY GASOLINE WHICH CONTAINS NO ETHANOL OR METHANOL (TYPES OF ALCOHOL). THIS WILL HELP TO AVOID POSSIBLE DAMAGE TO ENGINE FUEL LINES AND OTHER ENGINE PARTS. DO NOT MIX GASOLINE AND OIL DIRECTLY IN THE FUEL TANK.

IMPORTANT:

Failure to follow proper fuel mix instructions may cause damage to the engine.



- The engine of the hedge Trimmer is a high-efficiency two-stroke engine.

It is run with a mixture of fuel and two-stroke engine oil. The engine is designed for unleaded regular fuel with a min. -octane value of 91 ROZ.

In case no such fuel is available, you can use fuel with a higher octane value. This will not damage the engine, but may cause poor operating behavior.

A similar situation will arise from the use of leaded fuel.

To obtain optimum engine operation and to protect your health and the environment, only unleaded fuel should be used!

- For lubricating the engine use a two-stroke engine oil (quality grade:TC-3), which is added to the fuel.

The engine has been designed for use with DOLMAR two-stroke engine oil and a mixture ratio of 50:1 only to protect the environment. In addition, a long service life and a reliable operation with a minimum emission of exhaust gases is guaranteed. It is absolutely essential to observe a mixture ratio of 50:1 (DOLMAR 2-stroke engine oil), otherwise the reliable function of the Hedge Trimmer cannot be guaranteed.

- The correct mixture ratio:

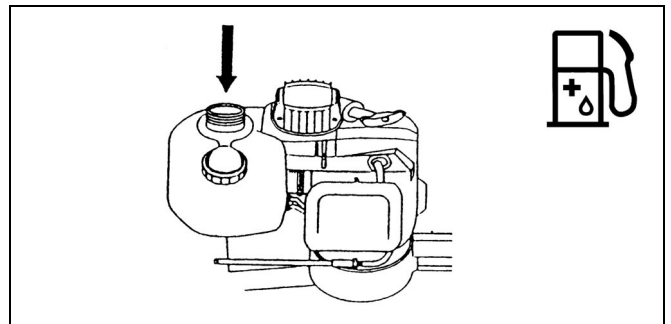
Mix 50 parts gasoline with 1 part DOLMAR 2-stroke engine oil (See table on the right)


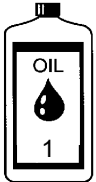


NOTE: For preparing the fuel-oil mixture, first mix the entire oil quantity with half of the fuel required. In an approved can which meets or exceeds all local code standards, then add the remaining fuel.

Thoroughly shake the mixture before filling it into the Hedge Trimmer's tank.

It is not wise to add more engine oil than specified to ensure safe operation. It will only result in a higher production of combustion residues which will pollute the environment and clog the exhaust channel in the cylinder as well as the muffler. In addition, the fuel consumption will rise and the performance will decrease.



Gasoline	50:1
	
1 GAL	2.6 OZ
2 GAL	6.4 OZ

Handling petroleum products

Utmost care is required when handling fuel. Fuel may contain substances similar to solvents. Refuel either in a well ventilated area or outdoors. Do not inhale fuel vapors, avoid any contact of fuel or oil with your skin.

Mineral oil, fuel, etc., product degrease your skin. If skin comes in contact with these substances repeatedly or for an extended period of time, various skin diseases may result. In addition, allergic reactions are known to occur. Eyes can be irritated by contact with oil, fuel etc.

If oil, fuel, etc., comes into your eyes, immediately wash them with clear water. If your eyes are still irritated, see a doctor immediately!

Refuelling

Always stop the engine and allow it to cool before refuelling.

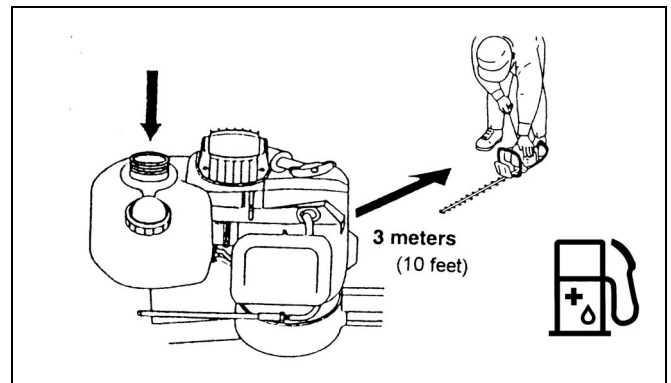
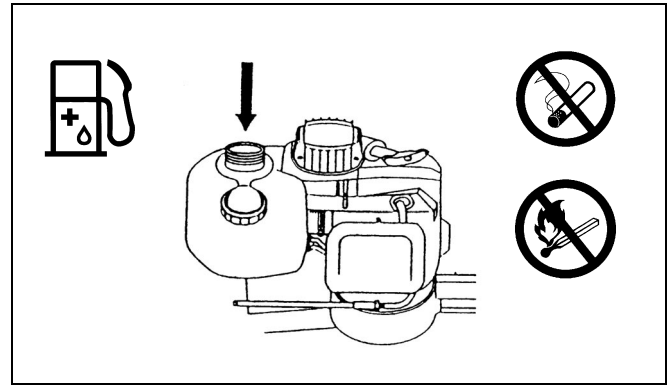
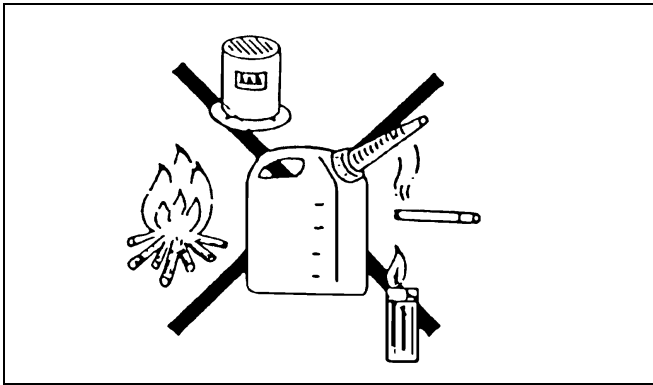
- Thoroughly clean the around the fuel filler cap to prevent dirt from getting into the fuel tank.
- Unscrew the fuel filler cap and fill the tank with fuel.
- Tightly screw on the fuel filler cap.
- Clean the fuel filler cap and tank after refuelling!
Wipe up any fuel spillage.

Storage of fuel

- Fuel cannot be stored for an unlimited period of time.
- Purchase only the quantity required for a 4 week operation period.
- Use approved fuel storage containers only.

WARNING!

Gasoline is an extremely flammable fuel. Use extreme caution when handling gasoline or fuel mix. Do not smoke or bring any fire or flame near the fuel.

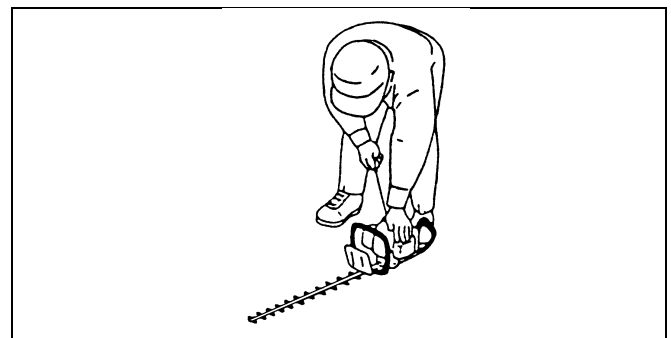
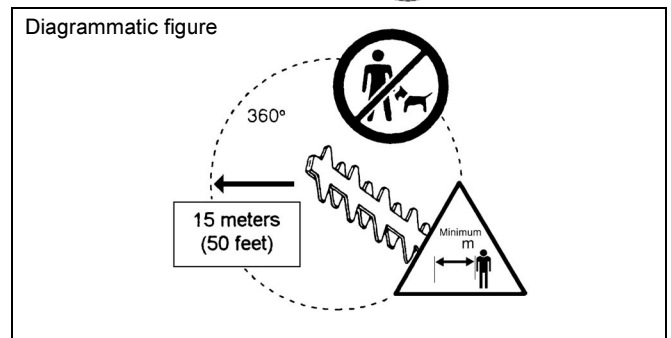


PRECAUTIONS BEFORE STARTING

- Please make sure that there are no children or other people within a working range of 15 meters or 50 feet, also pay attention to any animals in the working vicinity.
- Before use always check that the Hedge Trimmer is safe for operation. Check the cutting device is not damaged, the control lever for easy action and check for proper function of the STOP switch.
Rotation of the cutting device during idling speed is not allowed. Check with your dealer for adjustment if in doubt. Check for clean and dry handles and test function of the STOP switch.
- Start the Hedge Trimmer only in accordance with the instructions. Do not use any other methods for starting the engine. (See Starting)
- Start the hedge Trimmer engine only after the entire assembly is done. Operation of the engine is only permitted after all the appropriate accessories are attached. Otherwise there is a risk of injury.
- Before starting, make sure that the cutting device has no contact with objects such as branches, stones, etc.
- Before trimming, inspect area for wires, cords, glass, or other foreign objects which could come in contact with the blade.

Electrical shock. Be aware of any and all electric lines and electric fences. Check all areas for electrical lines before cutting.

Diagrammatic figure

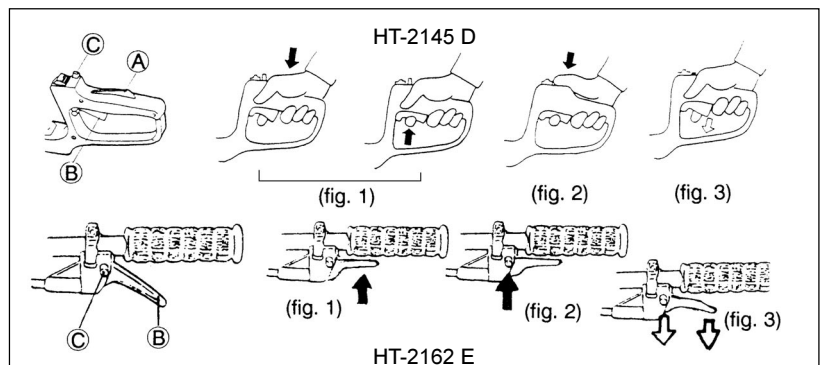
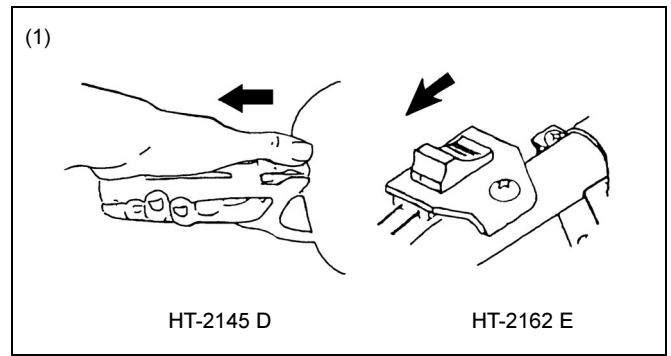


STARTING THE MACHINE

Move at least 3 meters away from the place of refuelling. Place the Hedge Trimmer on a clean area of ground make sure that the cutting tool does not come into contact with the ground or any other objects. Cold starting (When the engine is cold or it has been stopped for more than 5 minutes or when fuel is added to the engine.



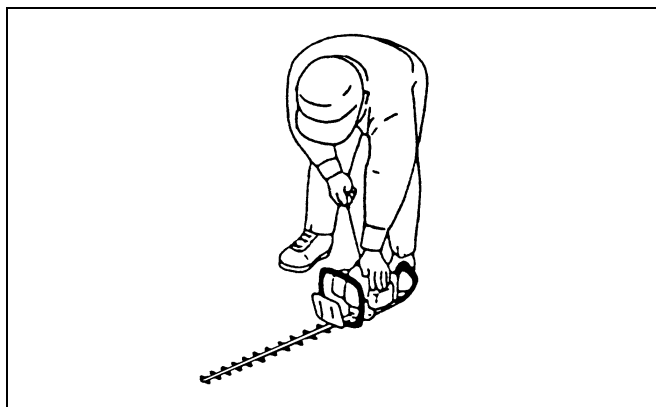
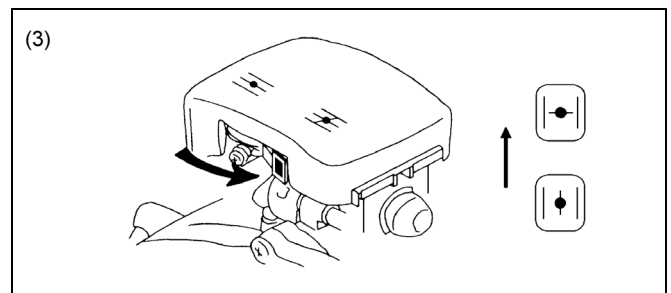
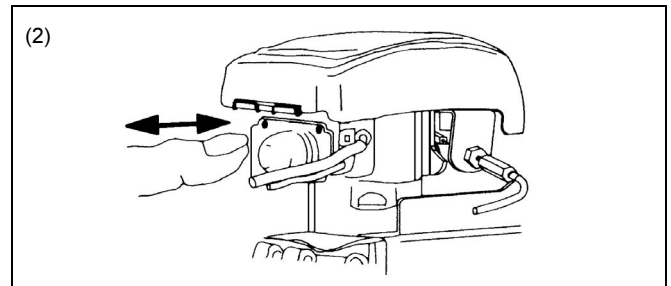
1. Push the STOP switch (1) to "I" position.
2. Squeeze first the lock lever A and then the throttle lever B. (fig.1)
3. Keeping the throttle lever B depressed, then press the throttle lock C inward. (fig. 2)
4. Keeping throttle lock C depressed, release the throttle lever B. this will lock the throttle lever B in position. (fig. 3)
5. Give a gentle push on the primer pump (2) repeatedly (7 to 10 times) until fuel comes into the primer pump.
6. Move the choke lever (3) to position (|↔|).
7. Hold the unit down firmly so you will not lose control while cranking the engine. If not held down properly, the engine could pull you off balance or swing the cutting blade into an obstruction or your body.
8. Slowly pull the starter grip until resistance is felt and continue with smart pull until initial ignition are heard.
9. Depress the choke lever (3) to the position (|↓|) and pull the starter rope again until the engine starts.
10. As soon as the engine starts, immediately tap and release the throttle, thus releasing the half-throttle lock so that the engine can run in idle.
11. Run the engine for approximately one minute at a moderate speed before applying full speed.



Hot starting: (Restarting immediately after the engine has stopped)
When restarting a hot engine, first try the above procedure: 1, 5, 7, 8.

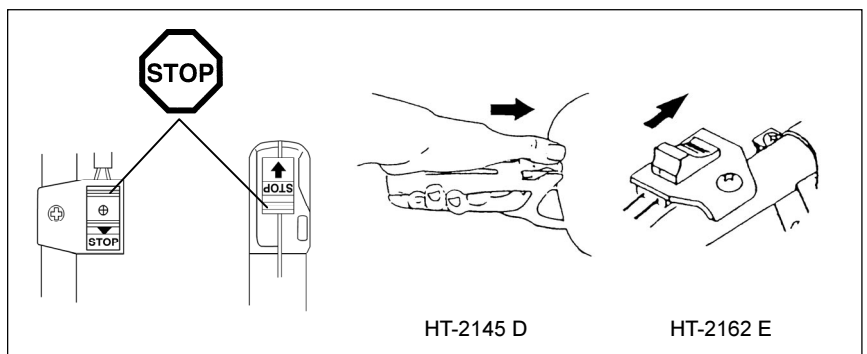
If the engine does not start, repeat above steps 1-11.

Note: Do not pull the starter rope to its full extent and do not allow the starter grip to be retracted without control, ensure that it is retracted slowly.



STOPPING THE MACHINE

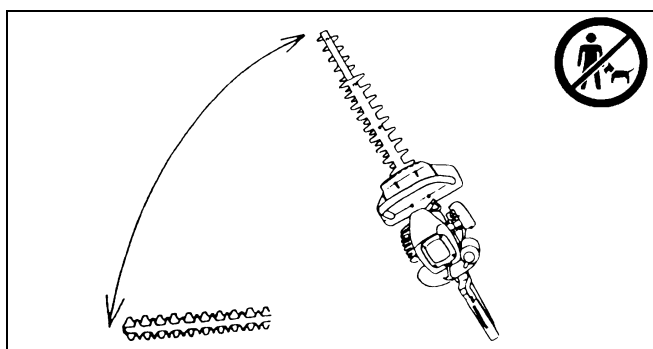
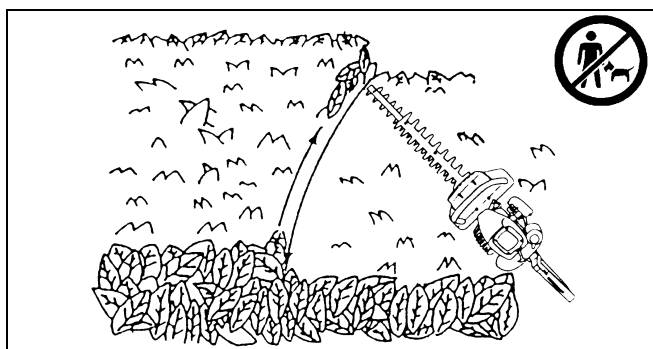
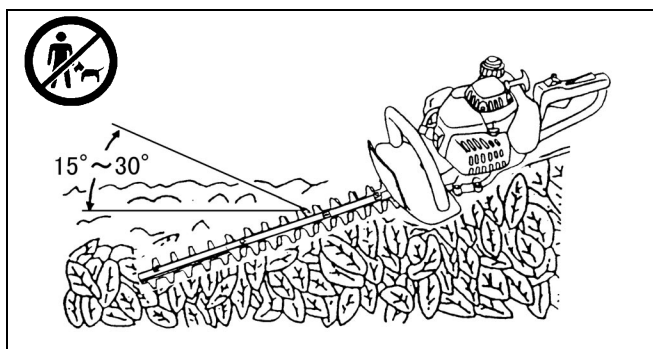
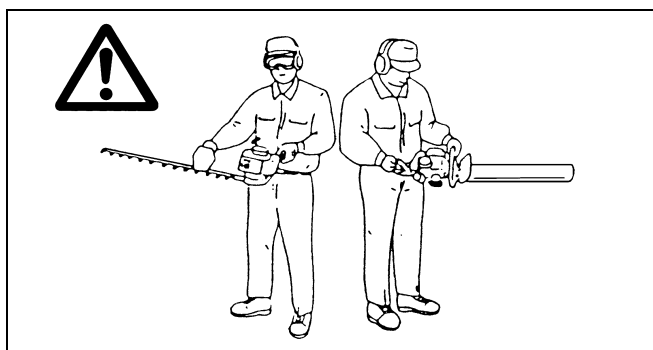
1. Release the throttle lever completely.
2. Push the STOP switch (on/off switch) to "O" position, the engine rotation will become low. And the engine will stop.



OPERATION OF THE MACHINE



- Be sure to carefully read and follow safety instructions.
- Keep hands away from blades. Never grasp the exposed cutting blade or cutting edges, when picking up or holding the tool.
- Never touch the cutting device when starting the engine and during operation.
- Operate the Hedge Trimmer in such a manner as to avoid inhalation of the exhaust gases. Never run the engine in enclosed rooms (Risk of gas poisoning). Carbon monoxide is an odorless gas.
- All protective installations and guards supplied with the machine must be used during operation.
- Never operate the engine with a faulty exhaust muffler or if it is missing.
- Use the Hedge Trimmer only in good light and visibility. Always ensure a safe footing.
- Never stand on a ladder and run the Hedge Trimmer. Keep both feet on the ground.
- Never climb up the trees with the Hedge Trimmer to perform cutting operation.
- Never work on unstable surfaces.
- Remove sand, stone, nails, wire, etc. found within the working area. Foreign objects may damage the cutting blades.
- Before commencing cutting, the cutting blades must have reached full working speed.
- Always hold the Hedge Trimmer firmly with both hands on the handles only.
- The right hand grips the front handle of model HT-2162 E. This is the way to safely operate the machine.
- Use a firm grip with thumbs and fingers encircling the handles.
- When you release the throttle, it takes a few moments before the cutting blades stop.
- The Hedge Trimmer must not be used for cutting with fast idle. The cutting speed cannot be adjusted with the throttle control in fast idle position.
- When cutting a hedge, the machine should be held so that the blades form a 15-30° angle with the cutting line.
- If the Hedge Trimmer is used with circular movements against the edge of the hedge, the twigs will be thrown directly to the ground.
- At vertical cutting, the Hedge Trimmer is used with circular pendulation, swinging up and down close to the hedge.
- Pay special attention when cutting hedges which are laid out a long a wire-fence and have grown through the fence. The blade must not contact the fence, otherwise the blades may be destroyed.
- Do not use the Hedge Trimmer continuously for a long time. It is normal to take a break of 10 to 20 minutes after every 50 minutes operation.
- Should the cutting blades hit stones or other hard objects, immediately switch off the engine and inspect the cutting blades for damage. Replace damaged blades before re-commencing work.
- The engine must be switched off immediately in case of any engine problems.
- Operate the Hedge Trimmer with as little noise and contamination as possible. In particular check the correct setting of the carburetor and the fuel/oil ratio.
- Do Not attempt to remove jammed cut material when blades are running. Put unit down, turn it off, and remove necessary cuttings.



MAINTENANCE INSTRUCTIONS

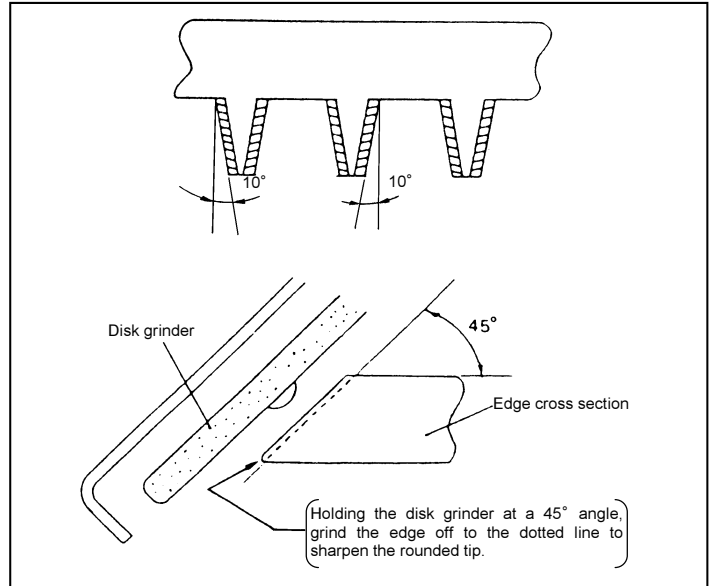
- Turn off the engine and remove the spark plug connector when replacing or sharpening cutting tools, also when cleaning the cutter or cutting device or carrying out any maintenance.
- Never straighten or weld a damaged cutting blade.
- Inspect the cutting blades with the engine switched off at short, regular intervals for damage. (Detection of hairline cracks by means of tapping-noise test.) Beware the teeth are sharp.
- Clean the Hedge Trimmer at regular intervals and check that all screw and nuts are well tightened.
- Never service or store the Hedge Trimmer in the vicinity of naked flames to avoid fires.
- Always wear leather gloves when handling or sharpening the blades as they are sharp.



Blade sharpening

If the edges are rounded and do not cut well any more, grind off only the shaded portions. Do not grind the contact surfaces (sliding surfaces) of the top and bottom edges.

- Before grinding, be sure to secure the blade firmly and switch off the engine and remove the spark plug cap.
- Wear gloves, protective glasses, etc.
- An edge ground too much at a time or ground many times will lose its hardened layer. It becomes rounded and dull very quickly in use.



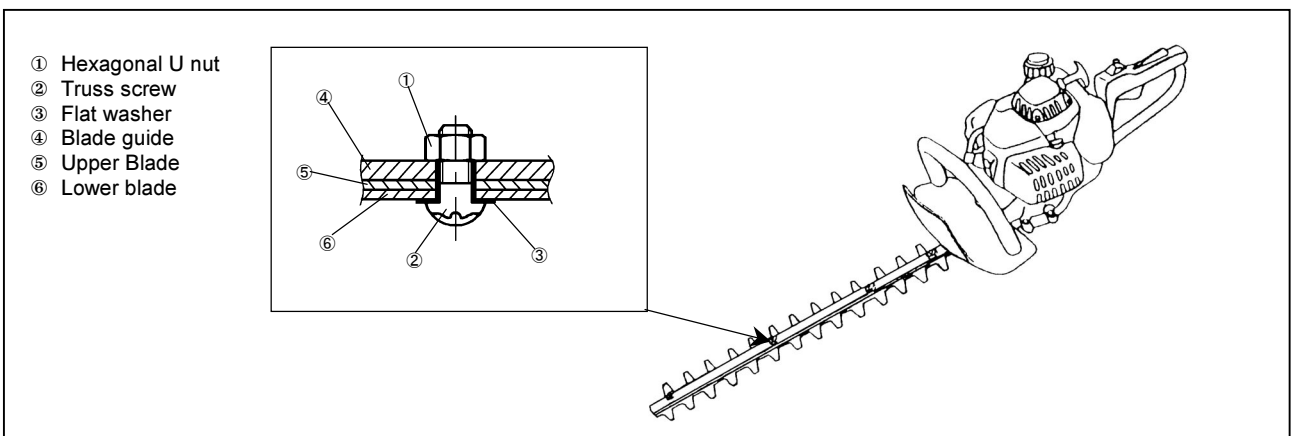
Blade adjustment

The blades will wear with long use. When you find that trimming is not as good as when the blades were new, adjust them as follows

1. Turn nut ① loose.
2. Screw ② in with the driver lightly till it stops turning, and then screw it back one quarter.
3. Turn nut ① tight, holding screw ② at the same time with a driver.
4. Lubricate the blades after adjustments above with light oil.
5. Start the engine and operate the engine throttle on and off for a minute.
6. Stop the engine and touch the blades with your hand. If they are warm enough for you to keep your hand on, then you have made the proper adjustment. If they are too hot for you to keep touching, give screw ② a little more turn back and repeat 5 to see if they are properly adjusted.

NOTE: Never fail to stop the engine before making the adjustment. The blades have a slot around screw ②. In case you find dust in the end of any of the slots, clean it.

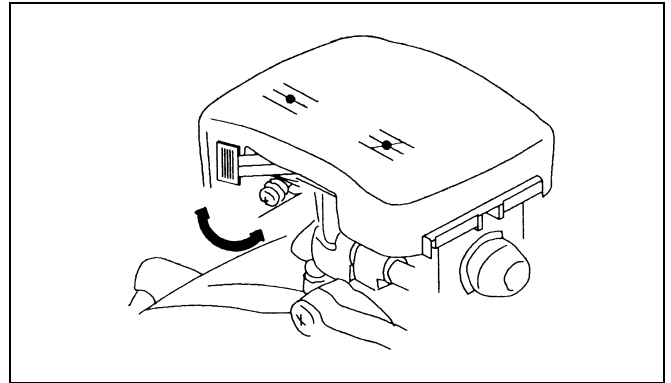
NOTE: For enough time of blade stop (EN774), be sure to make the blade adjustment before operation.



Checking and adjusting the idling speed

The cutting blade should not when the control lever is fully released.

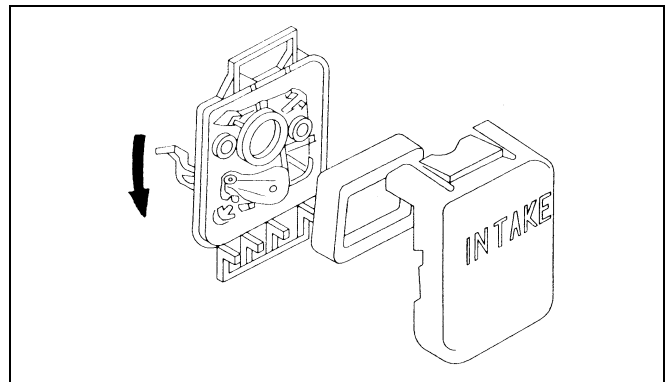
- Idle speed should be set to 3,000 rpm.
- If necessary, correct it by means of the idle screw (the cutting blade must not run when the engine is on idle).
 - Clockwise : for faster rate of revolution
 - Counter-clockwise : for slower rate of revolution Check that there is sufficient difference between idling and clutch engagement speed to ensure that the cutting tool is at a standstill while the engine is idling. (If necessary, reduce idling speed.) If the tool still continues to run under the idling conditions, consult your nearest authorized service agent.
- The clutch should engage at minimum 3,750 rpm.
- Check the functioning of the STOP switch, the lock-off lever, the control lever, and the lock button.



Cleaning of air cleaner - Every 8 hours (Daily)

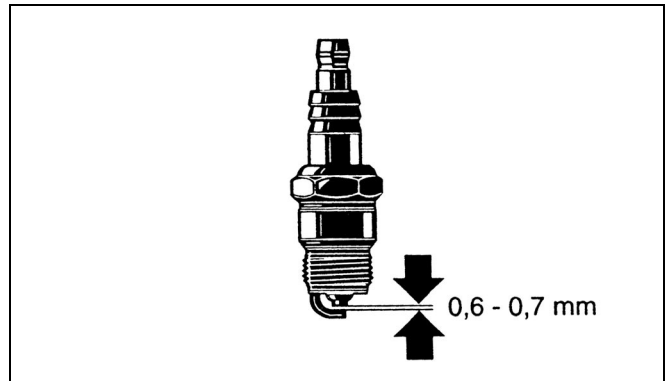
- Remove the air cleaner cover.
- Push the choke lever up (arrow), to prevent dirt particles from entering the carburetor.
- Take out the sponge element, wash it in lukewarm water and dry it completely.
- After cleaning, put back the sponge element and the air cleaner cover.

NOTE: If there is excessive dust or dirt adhering to the air cleaner, clean it every day. A clogged air cleaner may make it difficult or impossible to start the engine or increase the engine rotation speed which could cause damage.



Checking the spark plug - Every 8 hours (Daily)

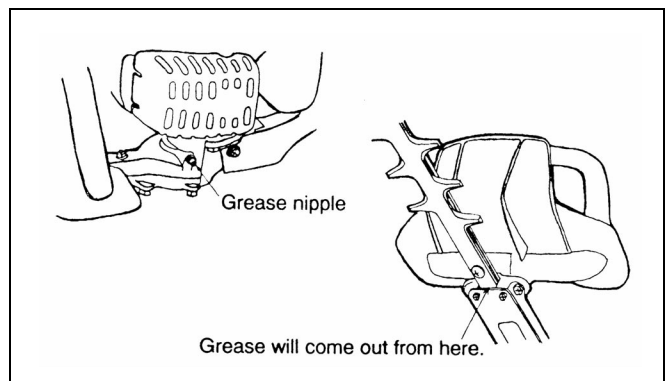
- Only use the supplied universal wrench to remove or to install the spark plug.
- The gap between the two electrodes of the spark plug should be 0.6 to 0.7mm. If the gap is too wide or too narrow, adjust it. If the spark plug is clogged with carbon or fouled, clean it thoroughly or replace it. Use an exact replacement.



Supply of grease and lubricant

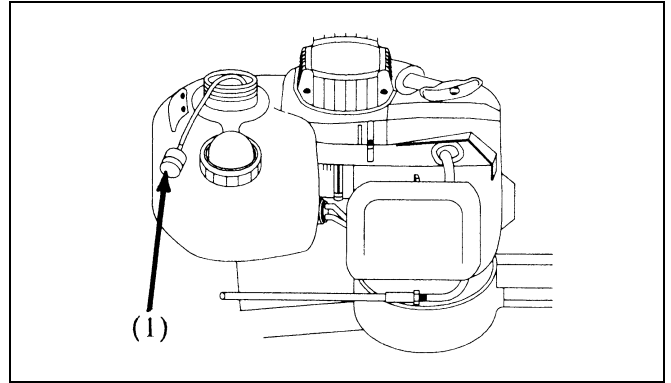
- Supply grease from the grease nipple every 15 operating hours. (Shell Alvania No.3 or equivalent)
- The amount of grease for each supply is about 20cc.
- (Once grease is supplied regularly as mentioned above, grease will come out from the end of the gear case (root of the cutting edge) in operation just after supply of grease. Confirm this phenomenon as a guide to grease supply.)

NOTE: Be sure to observe the specified time and amount of grease supply. If the grease supply is not made at the specified interval or if the amount of grease supplied is not sufficient, the machine may fall into a trouble because of lack of grease.



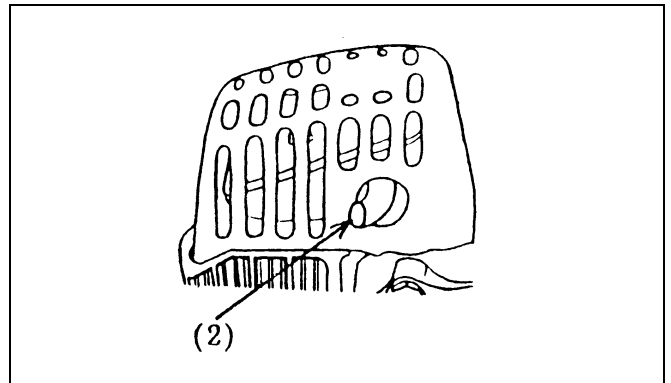
Suction head in the fuel tank - Every 50 hours (Monthly)

- The felt filter (1) of the suction head is used to filter the fuel required by the carburetor.
- A periodical visual inspection of the felt filter is to be conducted. For that purpose, open the tank cap, use a wire hook and pull out the suction head through the tank opening. Filters found to have hardened, been polluted or clogged up are to be replaced.
- Insufficient fuel supply can result in the admissible maximum speed being exceeded. It is therefore important to replace the felt filter at least quarterly to ensure satisfactory fuel supply to the carburetor.



Cleaning of muffler exhaust port - Every 50 hours (Monthly)

- Check of muffler exhaust port (2) regularly.
- If it is clogged by carbon deposits, carefully scratch the deposits out with a suitable tool. Do not allow carbon to fall into engine ports.



Replace fuel lines: Every 200 hours (yearly)

Overhaul engine: Every 200 hours (yearly)

Replace packings and gaskets with new ones: Every time engine is reassembled.

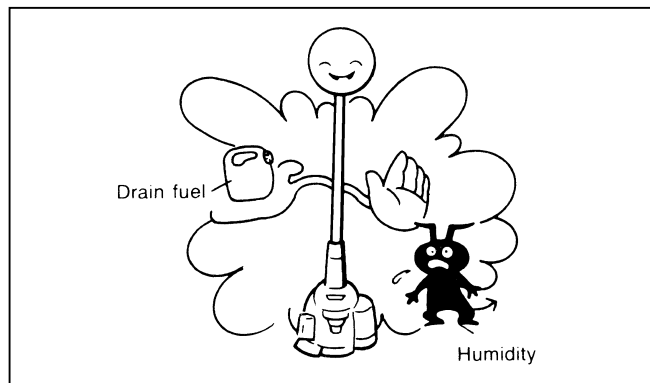
Any maintenance or adjustment work that has not been included and described in this manual is only to be performed by Authorized Service Agent.

Daily checkup and maintenance

To ensure a long service life and to avoid any damage to the equipment, the following servicing operations should be performed at regular intervals.

- Before operation, check the machine for loose screws or missing parts. Pay particular attention to the tightness of the cutter blade screws. - Every 8 hours (Daily)
- Before operation, always check for clogging of the cooling air passage and the cylinder fins. Clean them if necessary. - Every 8 hours (Daily)
- Perform the following work daily after use:
 - Clean the Hedge Trimmer externally and inspect for damage.
 - Clean the air filter. When working under extremely dusty conditions, clean the filter several times a day.
 - Check the blades for damage and make sure they are firmly mounted.

STORAGE



- When keeping the machine in storage for a long time, drain fuel from the fuel tank and carburetor, as follows: Drain all fuel from the fuel tank.
- Remove the spark plug and add a few drops of oil into the spark plug hole. Then, pull the starter gently to confirm that oil film covers the engine inside and tighten the spark plug.
- Clear dirt or dust from the cutter blade and outside of engine, wipe them with a oil-immersed cloth and keep the machine at a place as dry as possible.
- Abide by Federal and Local regulations for safe storage and handling of gasoline.

MAINTENANCE SCHEDULE

General	Engine assembly, screws and nuts	Visual inspection for damage and tightness Check for general condition and security
After each refuelling	Throttle lever Safety lock key STOP switch	Functional check Functional check Functional check
Daily	Air filter Cooling air duct Cutting tool Idling speed	To be cleaned To be cleaned Check for damage and sharpness Inspection (cutting tool must not move)
Every 15 hours	Gear case	Supply of grease
Weekly	Spark plug Muffler	Inspection, replace if necessary Check and if necessary clean the opening
Quarterly	Suction head Fuel tank	To be replaced To be cleaned
Shutting down procedure	Fuel tank Carburetor	Empty fuel tank Operate until engine runs out of fuel

FAULT LOCATION

Fault	System	Observation	Cause
Engine not starting or under difficulties	Ignition system	Ignition spark is present	Faulty fuel supply or compression system, mechanical defect
		No ignition spark	STOP-switch operated, wiring fault or short circuit, spark plug or connector defective, ignition module faulty
	Fuel supply	Fuel tank filled	Incorrect choke position, carburetor defective, suction head (gas line filter) dirty, fuel supply line bent or interrupted
		Compression	Inside of engine
	Outside of engine		Improper sealing of spark plug
Warm start problems	Mechanical fault	Starter not engaging	Broken starter spring, broken parts inside of the engine
		Tank filled Ignition spark existing	Carburetor contaminated, have it cleaned
Engine starts but dies immediately	Fuel supply	Tank filled	Incorrect idling adjustment, suction head or carburetor contaminated
			Fuel tank vent defective, fuel supply line interrupted, cable or STOP-switch faulty
Insufficient performance	Several systems may simultaneously be affected	Engine idling	Air filter contaminated, carburetor contaminated, muffler clogged, exhaust duct in the cylinder clogged

EMISSON COMPLIANCE PERIOD

For handheld engine : The Emissions

Compliance Period referred to on the Emissions

Compliance label indicates the number of operating hours for which the engine has been shown to meet Federal emission requirements.

Category C=50 hours, B=125 hours, and A=300 hours.

FEDERAL EMISSION COMPONENT DEFECT WARRANTY

EMISSION COMPONENT DEFECT WARRANTY COVERAGE - This emission warranty is applicable in all States, except the State of California

Makita U.S.A., Inc., La Mirada, California, (herein "MAKITA") warrant to the initial retail purchaser and each subsequent owner, that this utility equipment engine (herein "engine") was designed, built, and equipped to conform at the time of initial sale to all applicable regulations of the U.S. Environmental Protection Agency (EPA), and that the engine is free of defects in materials and workmanship which would cause this engine to fail to conform with EPA regulations during its warranty period.

For the components listed under PARTS COVERED, Makita Factory Service Center or service center authorized by MAKITA will, at no cost to you, make the necessary diagnosis, repair, or replacement necessary to ensure that the engine complies with applicable U.S. EPA regulations.

EMISSION COMPONENT DEFECT WARRANTY PERIOD

The warranty period for this engine begins on the date of sale to the initial purchaser and continues for a period of 2 years.

PARTS COVERED

Listed below are the parts covered by the Emission Component Defect Warranty. Some of the parts listed below may require scheduled maintenance and are warranted up to the first scheduled replacement point for that part.

- 1) Fuel Metering System
 - (i) Carburetor and internal parts
 - (ii) Fuel filter, if applicable
 - (iii) Throttle stopper, if applicable
 - (iv) Choke System, if applicable
- 2) Air Induction System
 - (i) Air cleaner plate
 - (ii) Air cleaner case
 - (iii) Air cleaner element

- 3) Ignition System
 - (i) Spark plug
 - (ii) Flywheel Magneto
 - (iii) Ignition Coil
- 4) Miscellaneous Items Used in Above Systems
 - (i) Fuel hoses, clamps and sealing gaskets

OBTAINING WARRANTY SERVICE

To obtain warranty service, take your engine to the nearest Makita Factory Service Center or Service Center authorized by MAKITA. Bring your sales receipts indicating date of purchase for this engine. The dealer or service center authorized by MAKITA will perform the necessary repairs or adjustments within a reasonable amount of time and furnish you with a copy of the repair order. All parts and accessories replaced under this warranty become the property of MAKITA.

WHAT IS NOT COVERED

- * Conditions resulting from tampering, misuse, improper adjustment (unless they were made by the dealer or service center authorized by MAKITA during a warranty repair), alteration, accident, failure to use the recommended fuel and oil, or not performing required maintenance services.
- * The replacement parts used for required maintenance services.
- * Consequential damages such as loss of time, inconvenience, loss of use of the engine or equipment, etc.
- * Diagnosis and inspection charges that do not result in warranty-eligible service being performed.
- * Any non-authorized replacement part, or malfunction of authorized parts due to use of non-authorized parts.

OWNER'S WARRANTY RESPONSIBILITIES

As the engine owner, you are responsible for the performance of the required maintenance listed in your owner's manual, MAKITA recommends that you retain all receipts covering maintenance on your engine, but MAKITA can not deny warranty solely for the lack of receipts or for your failure to ensure the performance of all scheduled maintenance.

As the engine owner, you should however be aware that the MAKITA may deny your warranty coverage if your engine or a part has failed due to abuse, neglect, improper maintenance or unapproved modifications.

You are responsible for presenting your engine to the nearest Makita Factory Service Center or service center authorized by MAKITA when a problem exists.

If you have any questions regarding your warranty rights and responsibilities, you should contact the Makita Warranty Service Department at 1-800-4-MAKITA for the information.

THINGS YOU SHOULD KNOW ABOUT THE EMISSION CONTROL SYSTEM WARRANTY

MAINTENANCE AND REPAIRS

You are responsible for the proper use and maintenance of the engine. You should keep all receipts and maintenance records covering the performance of regular maintenance in the event questions arise. These receipts and maintenance records should be transferred to each subsequent owner of the engine. MAKITA reserves the rights to deny warranty coverage if the engine has not been properly maintained. Warranty claims will not be denied, however, solely because of the lack of required maintenance or failure to keep maintenance records.

MAINTENANCE, REPLACEMENT OR REPAIR OF EMISSION CONTROL DEVICES AND SYSTEMS MAY BE PERFORMED BY ANY REPAIR ESTABLISHMENT OR INDIVIDUAL; HOWEVER, WARRANTY REPAIRS MUST BE PERFORMED BY MAKITA FACTORY SERVICE CENTER OR SERVICE CENTER AUTHORIZED BY MAKITA. THE USE OF PARTS THAT ARE NOT EQUIVALENT IN PERFORMANCE AND DURABILITY TO AUTHORIZED PARTS MAY IMPAIR THE EFFECTIVENESS OF THE EMISSION CONTROL SYSTEM AND MAY HAVE A BEARING ON THE OUTCOME OF WARRANTY CLAIM.

If other than the parts authorized by MAKITA are used for maintenance replacements or for the repair of components affecting emission control, you should assure yourself that such parts are warranted by their manufacturer to be equivalent to the parts authorized by MAKITA in their performance and durability.

HOW TO MAKE A CLAIM

All repairs qualifying under this limited warranty must be performed by Makita Factory Service Center or service center authorized by MAKITA. In the event that any emission-related part is found to be defective during the warranty period, you shall notify Makita Warranty Service Department at 1-800-4-MAKITA and you will be given the appropriate warranty service facilities where the warranty repair can be performed.

Vous venez d'acheter un Taille-Haies DOLMAR, fruit d'importants programmes de développement et de nombreuses années d'études et d'expérience, et nous vous en remercions.

Les modèles HT-2145 D/HT-2162 E légers, pratiques et compacts, allient les avantages d'une technologie de pointe à une conception ergonomique, et sont des outils de professionnels pour de nombreuses applications.

Pour votre sécurité et pour une utilisation optimale de l'appareil veuillez lire attentivement la notice d'utilisation et bien comprendre les consignes de sécurité ainsi que les procédures d'utilisation indiquées dans le manuel d'utilisation.



Table des matières

Page

Symboles 19
 Consignes de sécurité20-23
 Données techniques 23
 Liste des pièces 24
 Carburant/Ravitaillement 25-26
 Précautions à observer avant le démarrage 26
 Démarrage de la machine 27
 Arrêt de la machine 27
 Fonctionnement de la machine 28
 Changement de l'angle de la poignée arrière 29-31
 Remisage 32
 Programme d'entretien 32
 Localisation des défauts 32

SYMBOLES

Lors de la lecture de ce manuel, prêtez une attention particulière aux symboles ci-après:

	Attention! Danger!		Mélange de carburant et d'huile
	Lire et suivre le manuel de fonctionnement		Démarrage manuel de la machine
	Interdit		Arrêt d'urgence
	Interdit de fumer		Premier secours
	Interdiction d'utilisation de produits inflammables		Recyclage
	Port de gants de protection obligatoire		
	Zone de fonctionnement interdite aux humains et aux animaux		On/Démarrage
	Port de lunettes de protection et cache-oreilles obligatoire		Off/Arrêt

CONSIGNES DE SECURITE

Généralités

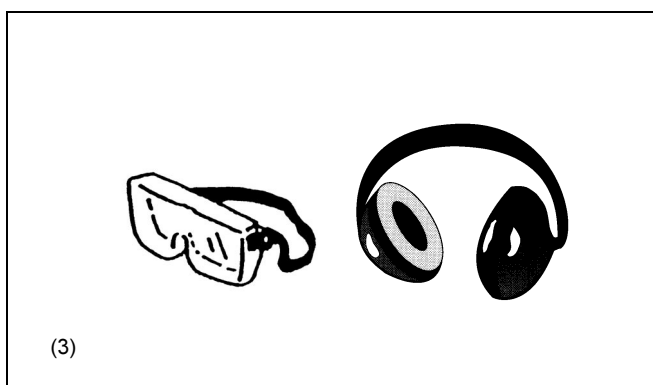
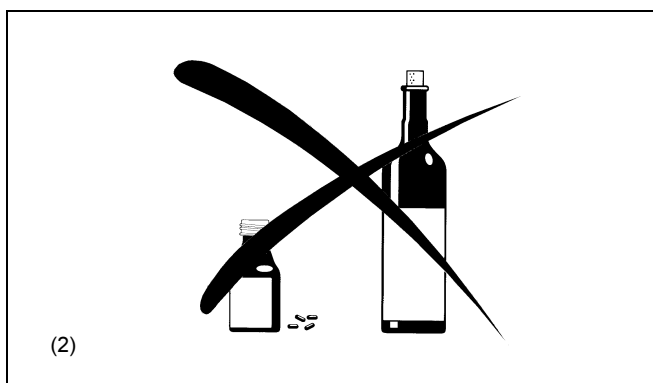
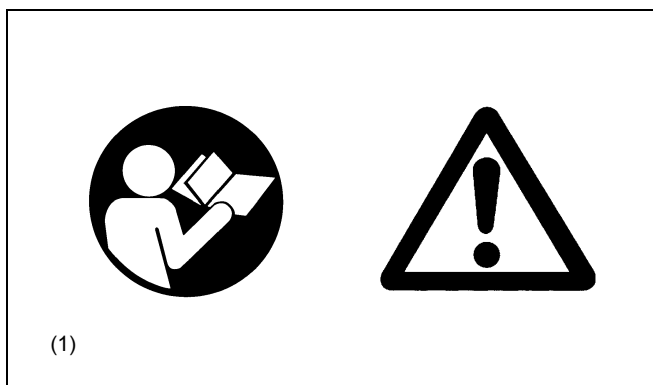
- L'utilisation incorrecte de cette machine peut provoquer des blessures graves; Pour garantir un fonctionnement correct, les utilisateurs doivent lire ce manuel d'instructions afin de se familiariser avec la manipulation du taille-haies. Les utilisateurs insuffisamment informés mettront leur vie en danger de même qu'ils menaceront celle des personnes se trouvant à proximité du fait de la manipulation incorrecte. (1)
- Il est recommandé de prêter le taille-haies uniquement aux personnes expérimentées dans la manipulation du taille-haies. Remettez leur toujours le manuel d'instructions.
- Les premiers utilisateurs devraient demander des instructions de base au concessionnaire afin de se familiariser à la manipulation d'un taille-haies motorisé.
- Les enfants et les jeunes gens de moins de 18 ans ne devraient pas être autorisés à faire fonctionner le taille-haies. Les personnes de plus de 16 ans peuvent cependant utiliser la machine pour s'entraîner à la seule condition qu'ils soient sous la surveillance d'une professeur qualifié.
- Utilisez le taille-haies avec un soin et une vigilance extrêmes.
- Utilisez le taille-haies uniquement si vous êtes en bonne condition physique. Effectuez tous les travaux avec calme et soin. L'utilisateur doit accepter la responsabilité des autres personnes.
- N'utilisez jamais le taille-haies après absorption d'alcool ou de médicaments ou si vous vous sentez fatigué ou malade. (2)

Fonction de la machine

- Le taille-haies est conçu uniquement dans le but de couper des buissons et des haies et ne doit pas être utilisé pour tout autre tâche.
Prière de ne pas malmener le taille-haies.

Equipement de protection personnel

- Le volet de protection de l'appareil de coupe doit être monté lors du transport de la machine vers un autre lieu.
- La tenue doit être fonctionnelle et appropriée, c'est-à-dire qu'elle doit être serrée sans toutefois entraver les mouvements. Ne portez pas de bijoux ou d'habits susceptibles de s'entrelacer dans les buissons, les broussailles ou la machine.
- Utilisez l'équipement de protection et les habits de protection suivants lors de l'utilisation du taille - haies afin d'éviter des blessures au niveau de la tête, des mains ou des pieds ainsi qu'afin de protéger votre ouïe.
- Portez toujours les lunettes de sécurité pour la protection d'oeil qui se conforme à la norme ANSI Z87.1.
- Portez un équipement de protection sonore approprié pour éviter les détériorations auditives, des boules Quies, des bouchons d'oreilles, etc. (3)
- Portez le vêtement approprié pour protéger des jambes et d'autres parties exposées de votre corps. (4).
- Des gants spéciaux en cuir épais font partie de l'équipement prescrit et doivent toujours être portés lors de l'utilisation du taille - haies. (4)
- Lors de l'utilisation du taille - haies, portez toujours des chaussures solides avec une semelle antidérapante. Elles vous éviteront des blessures et vous garantiront une bonne stabilité. (4)



Mise en marche du taille-haies

– Veuillez vous assurer de l'absence d'enfants ou d'autres personnes dans un rayon de 15 mètres ainsi que d'animaux à proximité de la zone de travail.

– **Avant d'utiliser la machine, toujours vérifier que la taille-haies peut fonctionner en toute sécurité.**

Vérifier que la levier du papillon des gaz est bien fixée. S'assurer que la levier du papillon des gaz est facile à manoeuvrer et que son mouvement est régulier. S'assurer que le verrou de la levier du papillon des gaz fonctionne correctement. S'assurer que les poignées sont propres et sèches et vérifier le fonctionnement du Bouton "arrêt".

Veiller à ce qu'il n'y ait ni huile ni carburant sur les poignées.

Avant de mettre la machine en marche, assurez-vous que toutes les instructions sont bien respectées.

N'utilisez pas d'autres méthodes de mise en marche de l'appareil (6).

– N'utilisez la machine et les outils fournis que pour les applications spécifiés.

– Ne mettez la machine en marche que lorsque tous les accessoires ont été mis en place. L'appareil ne fonctionne que lorsque tous les accessoires appropriés y sont fixés.

– Avant de démarrer l'appareil, s'assurer que la lame n'est pas en contact avec d'autres objets, tels que branchages, pierres, etc.

– En cas de problème du moteur, l'arrêter immédiatement.

– Lors de l'utilisation du taille-haies, toujours bien refermer les doigts sur la poignée, de façon à avoir la poignée de commande entre le pouce et l'index. Laisser la main à cette position pour avoir constamment le plein contrôle de l'outil. Veiller à ce que la poignée de commande soit en bon état et libre de toute humidité, pente, huile ou graisse.

Veiller à avoir toujours une bonne prise des pieds.

– Utiliser exclusivement à l'extérieur.

– Pendant le fonctionnement de l'appareil, évitez toute inhalation de gaz d'échappement. N'utilisez jamais l'appareil dans des endroits clos (en raison des risques d'étouffement et d'empoisonnement par les gaz d'échappement). N'oubliez pas que le monoxyde de carbone est un gaz sans odeur. N'utilisez l'appareil que dans un endroit bien aéré.

– Coupez le moteur lorsque vous n'utilisez pas l'appareil, et mettez-le en lieu sûr pour éviter de blesser l'entourage, de mettre le feu aux matériaux combustibles, ou d'endommager la machine.

– Ne posez jamais la machine chaude sur de l'herbe sèche ou des matériaux combustibles.

– Ne faites jamais fonctionner la machine si le silencieux pose problème.

– Coupez l'alimentation du moteur pendant le transport (7).

– Stockez l'outil correctement avant le transporter en voiture pour éviter la fuite de carburant.

– Pendant le transport, assurez-vous que le réservoir de carburant est totalement vide.

Plein de carburant

– Pour réduire le risque d'incendie et de la brûlure ; manipulez du carburant attentivement. Il est très inflammable.

– Couper le moteur (7) durant le ravitaillement, se tenir à l'écart de flammes nues et ne pas fumer (8).

– Ne faites jamais le plein d'un moteur chaud ou en marche.

– Ne fumez pas. Évitez tout contact avec la peau et les produits dérivés du pétrole. N'inhalez pas les vapeurs d'essence. Portez toujours des gants de protection. Changez et nettoyez régulièrement les gants de protection.

– Veillez à ne pas renverser de carburants ou d'huile, pour éviter de contaminer le sol (protection de l'environnement). En cas de fuite de carburant, même légère, nettoyez immédiatement l'appareil. Faites toujours sécher les chiffons avant de les jeter dans un conteneur approprié et couvert, pour éviter tout risque de combustion spontanée.

– Évitez tout contact du carburant avec les vêtements. Si nécessaire, changez immédiatement de vêtement.

– Inspecter le bouchon du réservoir à intervalles réguliers en vérifiant qu'il peut être serré correctement et qu'il n'y a pas de fuite.

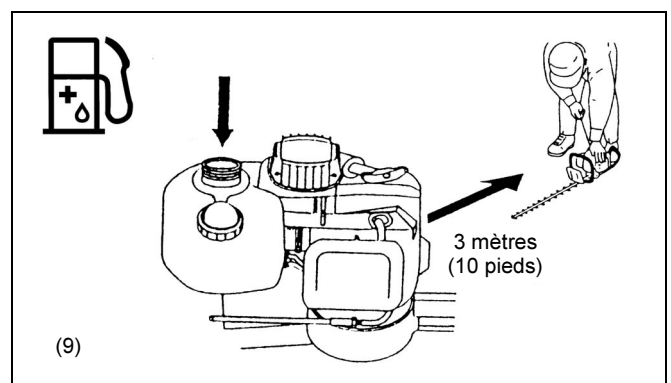
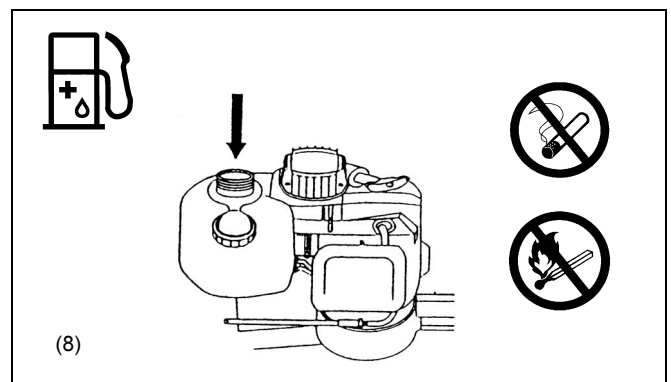
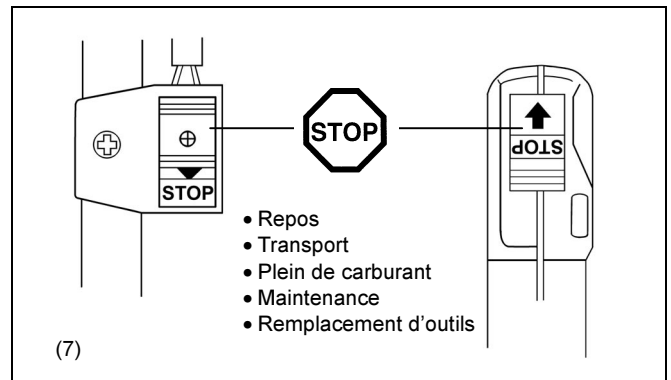
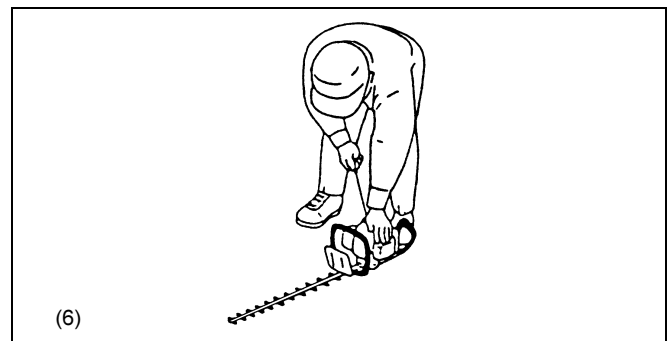
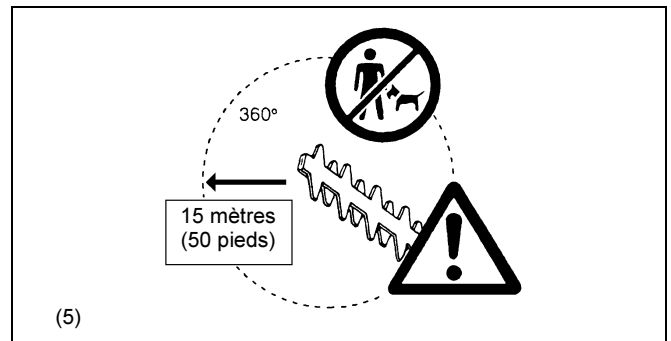
– Serrez attentivement la vis de blocage du réservoir de carburant. Déplacez 10 pieds (3 mètres) au moins du poste de charge de carburant avant de démarrer le moteur.

– Ne faites jamais le plein de carburant dans des pièces fermées : les vapeurs s'accumulent au niveau du sol (risque d'explosion).

– Ne transportez et ne stockez du carburant que dans des conteneurs appropriés. Veillez à ce que les enfants n'y aient pas accès.

– Lorsque vous mélangez de l'essence et de l'huile pour moteur à deux temps, utilisez uniquement de l'essence ne contenant ni éthanol, ni méthanol pour ne pas endommager les pièces du moteur.

– Assurez-vous que l'unité de machine est correctement assemblée et qu'elle est dans la bonne condition de fonctionnement.



Méthode d'utilisation

- N'utiliser le taille-haies qu'avec un éclairage et une visibilité suffisante. En hiver, prendre garde aux endroits glissants ou mouillés, à la glace et à la neige (risque de glisser). Veiller à avoir toujours une bonne prise des pieds.
- Ne le posez pas sur l'appui instable. Gardez toujours la bonne fondation et la position équilibrée.
- Tenez les deux pieds sur la terre.
- Ne jamais se tenir sur une échelle en manipulant le taille-haies.
- Ne jamais grimper dans les arbres pour procéder à des travaux de coupe avec le taille-haies.
- **DANGER- RISQUE DE COUPURE- ELOIGNEZ VOS MAINS DES LAMES.**
N'insérez pas avec vos mains des brindilles ou d'autres objets à couper vers la lame ou n'étirez pas vos mains au-dessus de la lame mobile pour ramasser des morceaux. Ne touchez jamais les lames ou les tranchants exposés quand vous soulevez ou tenez l'outil. AVERTISSEMENT- La lame peut glisser après que le courant est coupé.
- **ELOIGNEZ VOS MAINS ET D'AUTRES PARTIES DE VOTRE CORPS DE LA LAME.** Les bouts des lames sont tranchants et peuvent causer la blessure même quand l'outil est à "OFF".
- **AVANT LE DETOURAGE,** inspectez la zone pour trouver du fil, des cordes, du verre ou d'autres objets étrangers qui puissent contacter la lame.
- Tenez tous les deux mains sur les poignées quand vous opérez le taille-haies. Ne saisissez jamais les lames de coupe exposées de taille-haies.
- Assurez-vous que le moteur est bien arrêté et que les lames ont cessé de mouvoir avant de dégager le matériel bouché.
- Prenez garde à toutes les lignes électriques et barrières électriques. Vérifiez tous les zones s'il n'y a pas de ligne électrique avant la coupe.
- Pour éviter de tomber et de perdre le contrôle de l'appareil, ne reculez jamais pendant son fonctionnement.

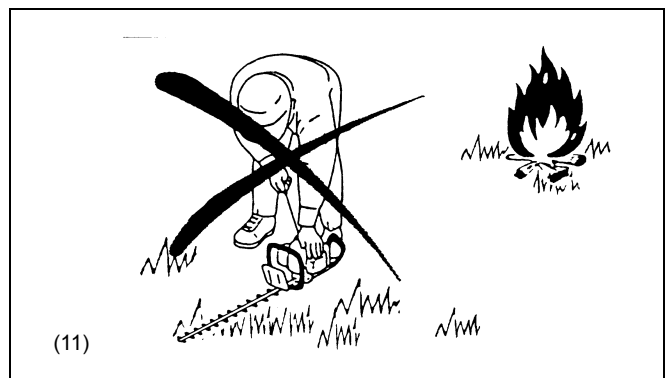
Maintenance

- Coupez toujours le moteur avant de nettoyer l'appareil ou de remplacer certaines de ces pièces.
- **ENTRETIEN ATTENTIF DE L'OUTIL.** Maintenez les lames de coupe tranchants et propres pour la meilleure performance qui est la plus sécuritaire. Suivez l'instruction de service pour la lubrification et la maintenance appropriées.
- Respectez l'environnement ; vérifiez notamment le bon réglage du carburateur pour polluer aussi peu que possible l'atmosphère.
- Vérifiez régulièrement le taille-haies, et assurez - vous que ses vis et écrous sont bien fixés.
- Pendant toutes les opérations de maintenance ou de stockage, évitez soigneusement la présence de flammes, d'étincelles ou autres (11).
- Stockez toujours l'appareil dans une pièce fermée à clé et bien aérée. Avant de le stocker, videz soigneusement son réservoir.

Observer les consignes de prévention des accidents publiées par les associations professionnelles concernées et par les sociétés d'assurance. Ne pas modifier la taille-haies car cela pourrait porter atteinte à la sécurité.

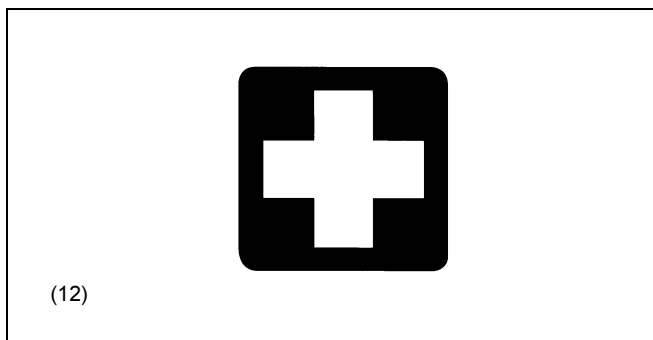
N'effectuez aucune opération de maintenance ou de réparation qui ne soit pas prévue par ce manuel. Toutes les autres opérations doivent être effectuées par des représentants autorisés. N'utilisez que des pièces et des accessoires d'origine, fournis par DOLMAR.

L'utilisation d'outils et d'accessoires non agréés augmente les risques d'accident. DOLMAR décline toute responsabilité en cas d'accident ou de dommage provoqué par l'utilisation d'accessoires ou d'outils non agréés.



Premiers secours

Pour être préparé en cas d'accident, prévoir une trousse de premiers secours bien fournie, et conforme à la norme DIN 13164, à proximité des opérations de coupe. Remplacer immédiatement tout article pris dans la trousse de premiers secours.



Emballage

Le Taille - Haies DOLMAR est livré dans un carton qui le protège contre les dommages pendant le transport. Le carton est une matière première de vase et il peut être réutilisé ou recyclé (recyclage des vieux papiers).

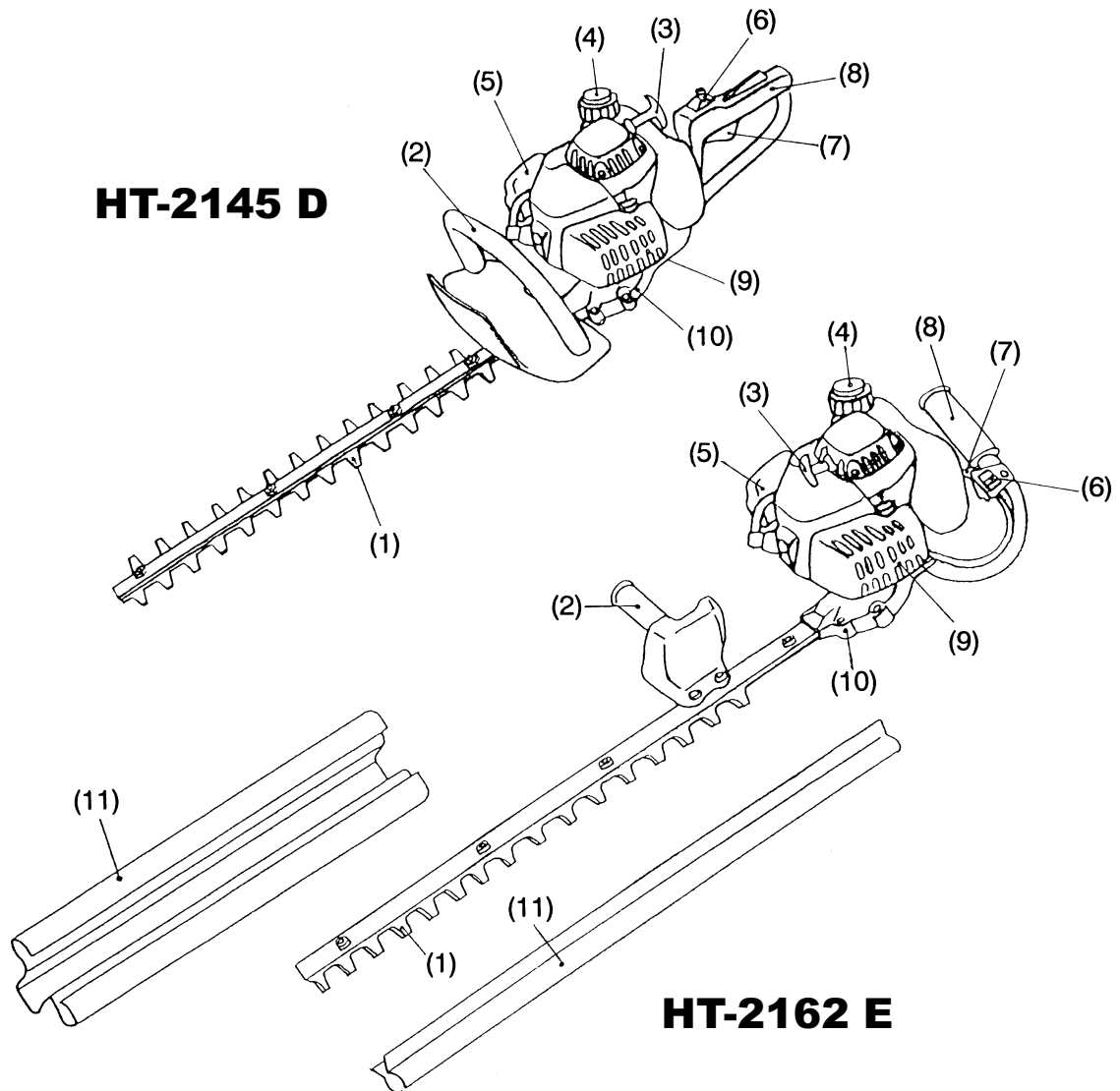


CARACTÉRISTIQUES TECHNIQUES

Modèle		HT-2145 D	HT-2162 E
Dimensions : longueur x largeur x hauteur	mm	964 x 244 x 218	1,063 x 288 x 218
Masse (sans protection et lame de coupe)	kg	4.4	4.5
Volume (réservoir de carburant)	L	0.4	
Cylindrée du moteur	cm ³	21.0	
Longueur de coupe	mm	450	620
Puissance maximale du moteur	kw	0.60	
Vitesse d'arbre maximale (correspondante)	m/s	1.8	
Vitesse de marche à vide	min ⁻¹	3,000	
Vitesse d'embrayage	min ⁻¹	4,000	
Carburateur	type	WALBRO WYL	
Système d'allumage	type	Type Allumage électronique	
Bougie d'allumage	type	NGK-BPM4A	
Ecartement entre les électrodes	mm	0.6 ~ 0.7	
Rapport du mélange (carburant:huile pour moteur 2 temps)		50 : 1	
Rapport d'engrenages		8 : 34	

1) Les caractéristiques prennent en compte tous les modes de fonctionnement: Vitesse de marche à vide, emballement et papillon des gaz ouvert à fond

LISTE DES PIECES



LISTE DES PIECES		LISTE DES PIECES	
1	Lame	7	Levier du papillon des gaz
2	Poignée avant	8	Poignée arrière
3	Démarrreur à enroulement	9	Pot d'échappement
4	Bouchon de réservoir de carburant	10	Boîte de vitesse
5	Carburateur	11	Protection de lames
6	Interrupteur-ARRET (ON-OFF)		

CARBURANTS/RAVITAILLEMENT

Mélange huile/essence

Vérifier le réservoir de carburant, et le ravitailler en carburant net et frais au rapport de mélange précisé, ce qui peut prolonger la vie de l'appareil.

Employer le mélange de carburant au rapport de mélange qui suit :

Essence : Huile d'origine DOLMAR pour moteur 2 temps = 50 : 1 ou

Essence : Huile d'autres fabricants pour moteur deux temps = 25 : 1 **recommandé**

EN CONFORMITÉ AVEC LA RÉGLEMENTATION DE CALIFORNIE, CET APPAREIL A ÉTÉ VÉRIFIÉ POUR METTRE EN MARCHÉ AVEC LE CARBURANT CONTENANT ESSENCE ET HUILE À MOTEUR DEUX TEMPS.

Pour préparer le mélange de carburant, n'employer que d'essence sans plomb, qui ne contient pas d'éthanol ni de méthanol. Cela pourra servir à éviter des dommages éventuels se trouvant sur les canalisations de carburant pour le moteur et les autres parties du moteur. Ne pas mélanger essence avec huile directement dans le réservoir de carburant.

IMPORTANT:

Le manque de respecter des instructions du mélange approprié de carburant peut endommager le moteur.



– Le moteur du taille - haies est un moteur 2 temps à puissance élevée. Il est alimenté par un mélange de carburant et d'huile pour moteur 2 temps. Le moteur est conçu pour du carburant standard sans plomb avec un indice d'octane minimal de 91 ROZ. Si vous ne disposez pas d'un tel carburant, vous pouvez utiliser du carburant avec un indice d'octane plus élevé. Ceci n'endommagera pas le moteur mais pourra entraîner une baisse d'efficacité lors du fonctionnement. Une telle situation se rencontrerait également dans le cas de l'utilisation de carburant au plomb. Pour obtenir un fonctionnement du moteur optimal et pour protéger votre santé et l'environnement, utilisez uniquement du carburant sans plomb!

– Pour la lubrification du moteur, ajoutez une huile pour moteur 2 temps (degré de qualité:TC-3) au carburant. Le moteur a été conçu pour l'utilisation d'huile pour moteur 2 temps DOLMAR et un rapport de mélange 50:1 uniquement afin de protéger l'environnement. De plus, sa longévité importante et son fonctionnement fiable avec émission minimale de gaz d'échappement sont garantis. Il est absolument essentiel de respecter un rapport de mélange de 50:1 (huile pour moteur 2 temps DOLMAR) pour garantir la fiabilité du fonctionnement du taille - haies.

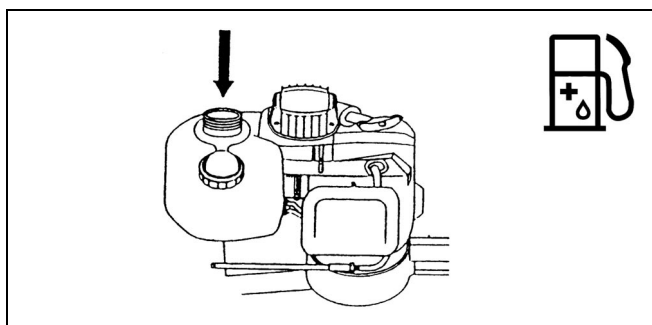
– Rapport de mélange correct:
Mélangez 50 mesures d'essence avec 1 mesure d'huile pour moteur 2 temps DOLMAR (voir tableau sur la droite)

NOTA: Pour la préparation du mélange carburant - huile, commencer par mélanger toute l'huile avec la moitié de l'essence requise dans un récipient agréé satisfaisant à toutes les normes locales. Ajouter ensuite le reste de l'essence. Bien agiter le mélange avant de le verser dans le réservoir du Taille-Haies. Pour la sécurité d'utilisation, il est déconseillé d'ajouter une quantité d'huile moteur supérieure à celle indiquée. Ceci entraînerait un dégagement supérieur de résidus de combustion qui pollueraient l'environnement et engorgeraient le conduit d'échappement du cylindre, les bougies et le pot d'échappement. Il en résulterait également une augmentation de la consommation de carburant et une diminution des performances.

Manipulation du carburant

La manipulation du carburant nécessite un soin extrême. Le carburant peut contenir des substances similaires aux solvants. Effectuer le ravitaillement en carburant soit dans une pièce bien ventilée, soit à l'extérieur. Ne respirez pas de vapeurs de carburant, évitez tout contact cutané avec le carburant ou l'huile.

Si la peau entre en contact avec ces substances à plusieurs reprises et pendant une durée prolongée, elle se desséchera. Il peut en résulter diverses maladies de peau. De plus, ces produits sont connus pour entraîner des réactions allergiques. Les yeux peuvent être irrités par contact avec l'huile. Si de l'huile entre en contact avec ses yeux, les rincer immédiatement avec de l'eau claire. S'ils restent irrités, consulter immédiatement un docteur!



Essence	+	50:1
1000 mL (1 L)		20 mL
5000 mL (5 L)		100 mL
10000 mL (10 L)		200 mL

Ravitaillement

Arrêtez toujours le moteur et laissez lui se refroidir avant le ravitaillement du carburant.

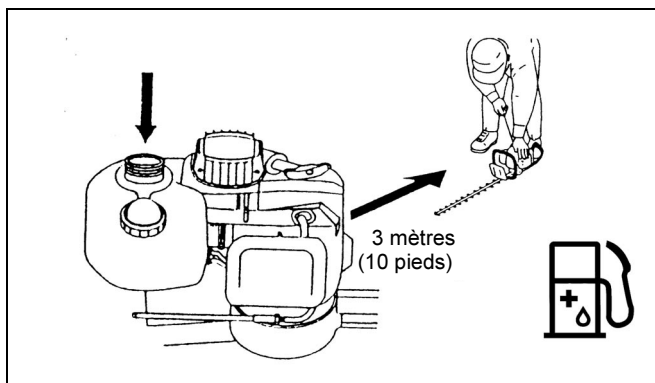
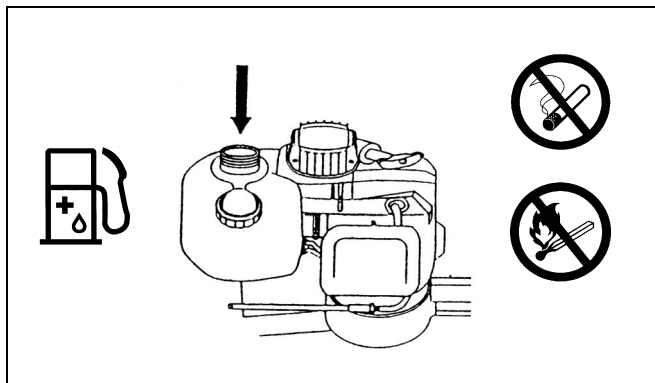
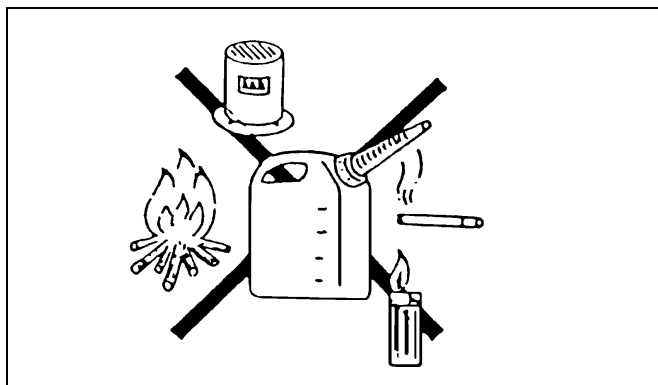
- Nettoyez complètement autour le bouchon de remplissage pour empêcher la saleté d'entrer dans le réservoir de carburant.
- Dévissez le bouchon de remplissage de carburant et remplissez le réservoir du carburant.
- Vissez fermement le bouchon de remplissage de carburant.
- Nettoyez le bouchon de remplissage de carburant et le réservoir après le ravitaillement en carburant ! Essayez complètement n'importe quel carburant.

Stockage du carburant

- Le carburant ne peut pas être stocké pendant une période illimitée.
- Achetez uniquement la quantité requise pour une période de 4 mois de fonctionnement.
- Utilisez uniquement des containers pour stockage de carburant agréés.

AVERTISSEMENT

L'essence est un carburant extrêmement inflammable. Prenez garde spécialement quand vous manipulez de l'essence ou du mélange de carburant.



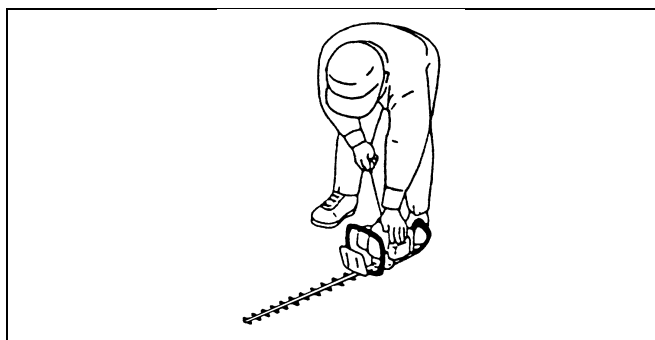
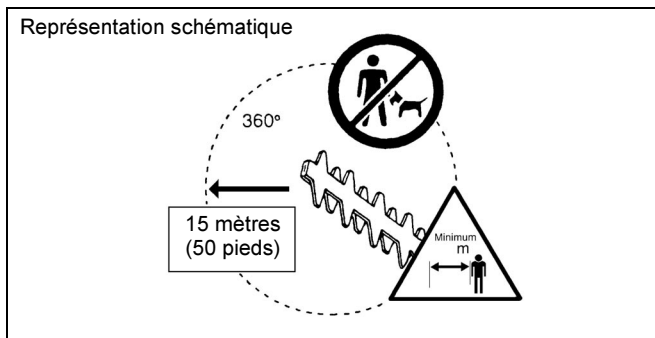
PRECAUTIONS BEFORE STARTING

- Veuillez - vous assurer qu'aucun enfant ou qu'aucune autre personne ne se trouve dans un rayon d'action de 15 mètres, veillez également à ce qu'aucun animal ne se trouve dans les parages.
- Avant l'utilisation, vérifiez toujours si le taille - haies peut garantir un fonctionnement en toute sécurité. Contrôlez si l'appareil de coupe n'est pas endommagé, si le levier de commande est facile à manier et si interrupteur "arrêt" fonctionne correctement. La rotation de l'appareil de coupe en vitesse de marche à vide est interdite. Contrôlez les réglages avec votre concessionnaire en cas de doute. Contrôlez si la machine est propre, si les poignées sont sèches et testez le fonctionnement de l'interrupteur "arrêt".
- Lancez le taille - haies uniquement dans le respect des instructions. N'utilisez aucune autre méthode pour lancer le moteur (voir Démarrage).
- Lancez le moteur du taille - haies uniquement après assemblage complet. L'utilisation du moteur n'est autorisée qu'après montage des accessoires appropriés. Le non - respect de cette instruction peut entraîner des blessures.
- Avant le démarrage, assurez - vous que l'appareil de coupe n'est pas en contact avec des objets durs tels des branches, des pierres, etc.
- Avant de tailler, vérifiez qu'il n'y a aucun câble, corde, morceau de verre, ou tout autre corps étranger dans la zone de taille, qui pourraient entrer en contact avec la lame.

Décharges électriques : Vérifier où il peut y avoir des fils électriques ou des barrières électriques. Inspecter attentivement toute la zone de taille avant de commencer.



Représentation schématique



DEMARRAGE DE LA MACHINE



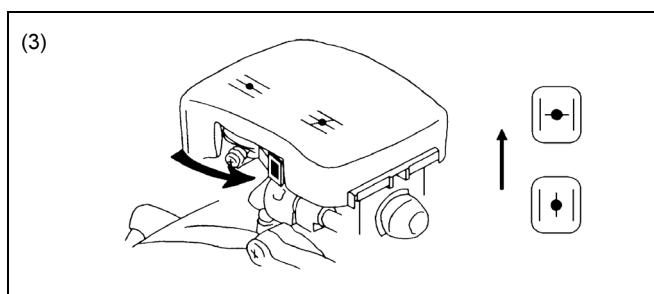
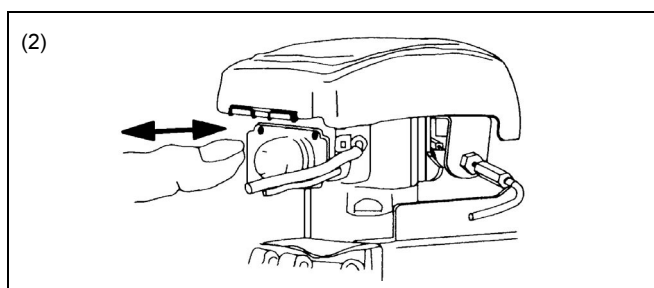
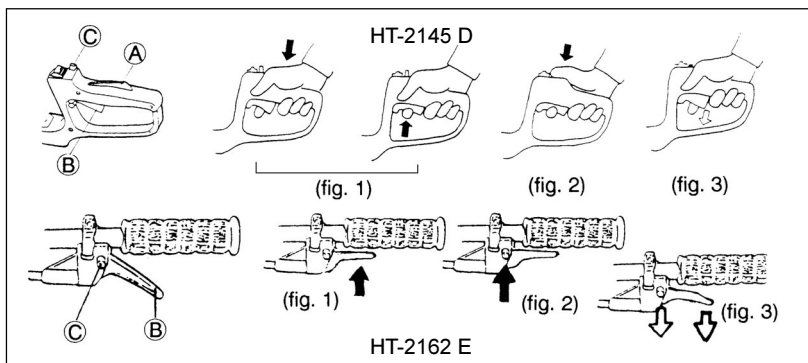
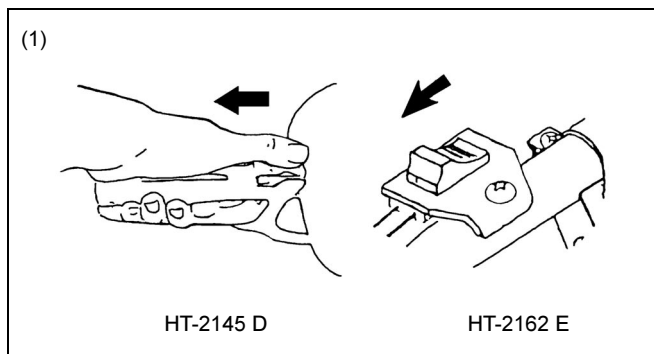
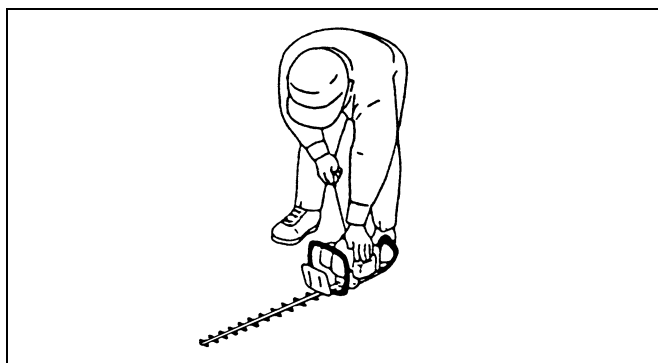
Se placer à au moins 3 mètres de l'emplacement de ravitaillement en carburant. Poser le taille-haies dans un endroit dégagé pour s'assurer que l'outil de coupe n'est pas en contact avec le sol ou avec d'autres objets.

Démarrage à froid (quand le moteur est froid, quand il a arrêté de tourner pendant plus de 5 minutes, ou quand il a été ravitaillé en carburant).

1. Placez le Interrupteur-ARRET (1) dans la position "I".
2. Appuyez d'abord sur le levier de verrouillage A puis sur le levier du papillon des gaz B. (fig.1)
3. En pressant en bas le levier du papillon des gaz B, pressez la verrou du papillon des gaz C vers l'intérieur.(fig.2)
4. En pressant en bas la verrou du papillon des gaz C, dégagez le levier du papillon des gaz B. Cette action serrera le levier du papillon des gaz B à sa position. (fig.3)
5. Exercez plusieurs fois de suite (7 à 10 fois) une faible pression sur la pompe primaire (2) jusqu'à ce que le carburant arrive.
6. Déplacez le levier du starter (3) sur la position (|→|).
7. Tenez l'appareil fermement vers le bas de façon à ne pas en perdre le contrôle au moment de lancer le moteur. Si l'appareil n'est pas fermement maintenu, la force du moteur peut déséquilibrer l'utilisateur ou projeter la lame sur quelqu'un, y compris l'utilisateur, ou quelque chose.
8. Tirez lentement la poignée de démarreur jusqu'à ce que la résistance soit sentie, et continuez un peu de traction jusqu'à ce que l'allumage initial soit entendu.
9. Pressez en bas le levier du starter (3) à la position de (|↓|), et tirez la câble de démarrage encore une fois jusqu'à ce que le moteur démarre.
10. Dès que le moteur démarre, tapotez immédiatement le papillon des gaz et relâchez-le. Ceci permet de relâcher ainsi le verrou du demi-papillon des gaz de sorte que le moteur peut tourner à la vitesse de marche à vide.
11. Faire tourner le moteur à une vitesse moyenne pendant environ une minute avant de l'utiliser à pleine puissance.

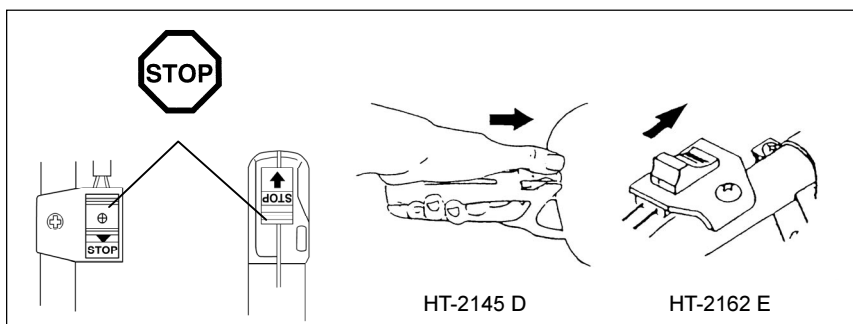
Démarrage à chaud (redémarrer le moteur juste après l'avoir arrêté). Pour redémarrer un moteur à chaud, commencer par refaire les étapes ci-dessus dans l'ordre suivant : 1, 5, 7, 8. Si le moteur ne démarre pas, reprendre toute la procédure de 1 à 11.

Attention: Ne pas tirer le câble de starter à fond, et ne jamais laisser la poignée de démarrage se rétracter d'elle-même, s'assurer qu'elle se remet en position lentement.



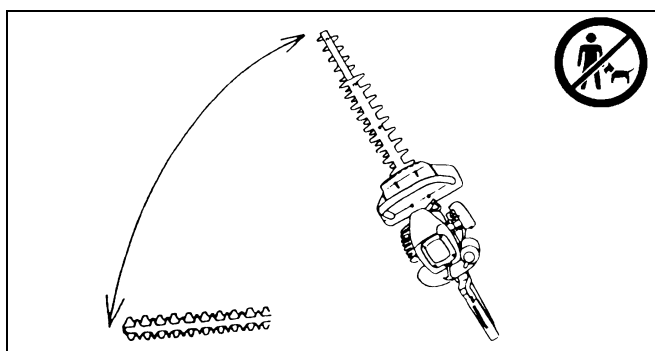
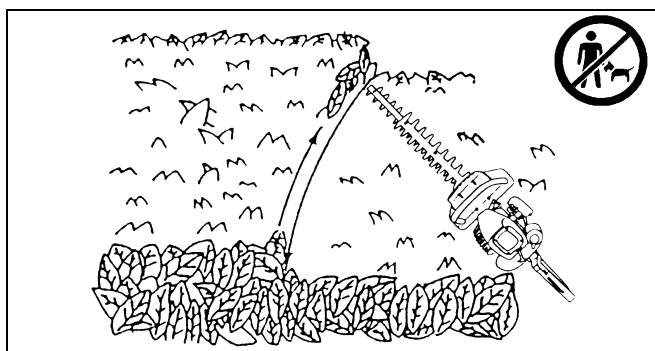
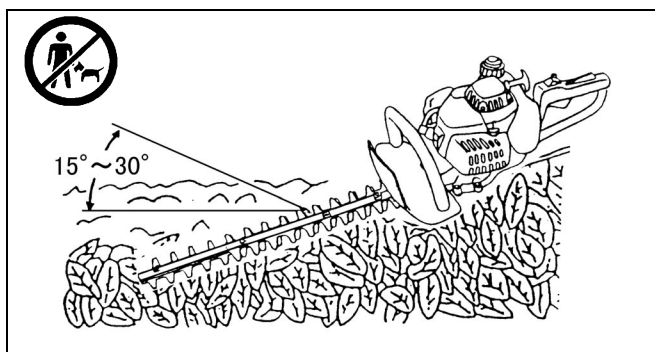
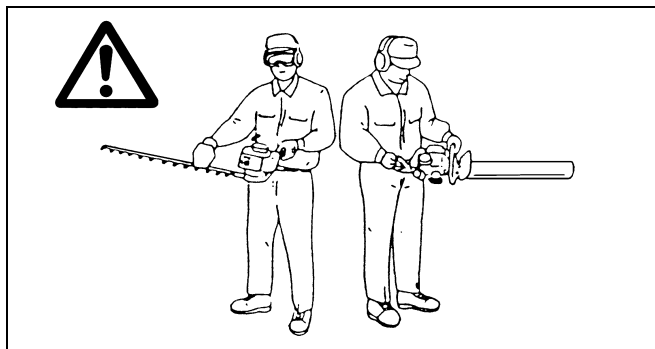
ARRET DE LA MACHINE

1. Relâcher complètement le levier du papillon des gaz.
2. Poussez l'interrupteur-ARRET (interrupteur on/off) sur la position "O" lorsque la rotation du moteur ralentit. Le moteur s'arrête.



FONCTIONNEMENT DE LA MACHINE

- Ne manquez pas de lire attentivement et suivez les instructions de sécurité.
- Eloignez vos mains des lames. Ne saisissez jamais les lames ou les tranchants de coupe exposés quand vous soulevez ou tenez l'outil.
- Ne touchez jamais l'appareil de coupe lors du démarrage du moteur et du fonctionnement.
- Utilisez le taille-haies de manière à éviter l'inhalation des gaz d'échappement. Ne faites jamais tourner le moteur dans des espaces clos (risque d'intoxication au gaz.) Le monoxyde de carbone est un gaz inodore.
- Toutes les installations de protection et les volets de protection fournis avec la machine doivent être utilisés lors du fonctionnement.
- N'utilisez jamais la machine si le pot d'échappement est défectueux ou absent.
- Utilisez le taille-haies uniquement dans de bonnes conditions de luminosité et de visibilité. Lors de l'hiver, soyez conscient de la présence de zones glissantes ou humides, de glace et de neige. (Risque de dérapage). Assurez toujours votre stabilité.
- Ne grimpez jamais sur une échelle pour manipuler le taille-haies.
- Ne grimpez jamais aux arbres avec le taille-haies pour effectuer des travaux de coupe.
- Ne travaillez jamais sur des surfaces instables.
- Retirez le sable, les pierres, les clous, les fils etc. trouvés dans la zone de travail. Les objets étrangers peuvent endommager les lames de coupe.
- Avant de commencer la coupe, les lames de coupe doivent avoir atteint leur pleine vitesse de travail.
- Tenez toujours le taille-haies fermement avec les deux mains sur les poignées uniquement.
- La main droite tient la poignée avant du modèle HT-2162 E. Cette méthode garantit le fonctionnement en toute sécurité de la machine.
- Empoignez fermement la machine en refermant vos pouces et les doigts sur les poignées.
- Lorsque vous relâchez le papillon des gaz, les lames de coupe ne s'arrêtent pas instantanément.
- Le taille-haies ne doit pas être utilisé pour couper en marche à vide rapide. La vitesse de coupe ne peut pas être réglée avec la commande du papillon des gaz en position de marche à vide rapide.
- Lors de la coupe d'une haie, la machine devrait être maintenue de sorte que les lames forment un angle de 15-30° avec la ligne de coupe.
- Si le taille-haies est utilisé en mouvements circulaires contre la bordure d'une haie, les brindilles seront directement projetées contre le sol.
- En coupe verticale, le taille-haie est utilisé en oscillation circulaire, se balançant de haut en bas près de la haie.
- Soyez particulièrement attentif lorsque les haies reposent contre des clôtures en fil de fer et ont poussé à travers cette clôture. Les lames ne doivent pas entrer en contact avec la clôture car elles seraient détruites.
- N'utilisez pas le taille-haies pendant une période prolongée. Une utilisation de 50 minutes environ nécessite normalement une pause de 10 à 20 minutes.
- Si les lames de coupe devaient heurter des pierres ou d'autres objets durs, coupez immédiatement le moteur et inspectez si les lames de coupe sont endommagées. Remplacez les lames endommagées avant de reprendre les travaux.
- Le moteur doit être coupé immédiatement en cas de tout problème au niveau du moteur.
- Utilisez le taille-haies d'une manière aussi silencieuse et propre que possible. Contrôlez en particulier le réglage correct du carburateur et le rapport carburant/huile.
- Ne jamais chercher à enlever des morceaux coupés coincés entre les lames, tant que les lames sont en train de tourner. Poser l'appareil à terre, couper l'électricité, et retirer les branchages gênants.



INSTRUCTIONS DE MAINTENANCE

- Coupez le moteur et retirez le connecteur de la bougie d'allumage lors du remplacement ou de l'affûtage des outils de coupe et lors du nettoyage des lames ou de l'outil de coupe ou lors de tout travail de maintenance.
- Ne dressez ou soudez jamais une lame de coupe endommagée.
- Inspectez si les lames de coupe sont endommagées à intervalles brefs et réguliers avec le moteur coupé (détection de tressailures en sonnant la lame). Soyez conscient du fait que les dents sont aiguisées.
- Nettoyez le taille-haies à intervalles réguliers et vérifiez que toutes les vis et les écrous sont bien serrés.
- Ne réparez ou remisez jamais le taille-haies à proximité de flammes nues pour éviter les incendies.
- Portez toujours des gants de cuir lorsque vous manipulez ou affûtez les lames car elles sont aiguisées.



Affûtage des lames

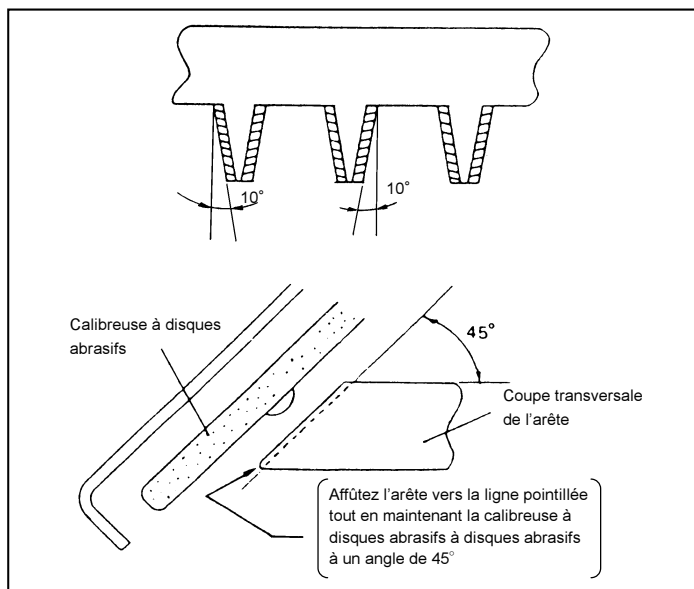
Si, les lames sont émoussées et ne coupent plus bien, affûtez uniquement les parties détériorées. N'affûtez pas les surfaces de contact (surfaces de frottement) des parties extrêmes inférieure et supérieure des arêtes.

- Avant d'affûter, assurez-vous de bloquer la lame correctement, coupez le moteur et retirez la protection de la bougie d'allumage.
- Portez des gants, des lunettes de protection etc.
- Une arête trop affûtée une fois ou affûtée plusieurs fois perdra sa dureté. Elle deviendra arrondie et émoussée très vite au cours de l'utilisation.

Réglage des lames

Les lames s'useront si elles sont souvent utilisées. Si vous trouvez que l'équilibrage n'est pas aussi bon que lorsque les lames étaient neuves, réglez - les de la manière suivante.

1. Desserrez l'écrou .
2. Vissez légèrement la vis - avec le tournevis jusqu'à ce qu'elle s'arrête de tourner puis dévissez la d'un quart de tour.
3. Serrez l'écrou tout en maintenant la vis - avec le tournevis.
4. Lubrifiez les lames avec de l'huile légère après avoir réalisé les réglages mentionnés ci - dessus.
5. Lancez le moteur et faites fonctionner le papillon des gaz aur on et off pendant 1 une minute.
6. Coupez le moteur et touchez les lames avec votre main. Si leur température vous permet de les tenir, votre réglage est correct. Si elles sont trop chaudes, dévissez légèrement la vis - et répétez l'étape 5 afin de contrôler si le réglage est correct.

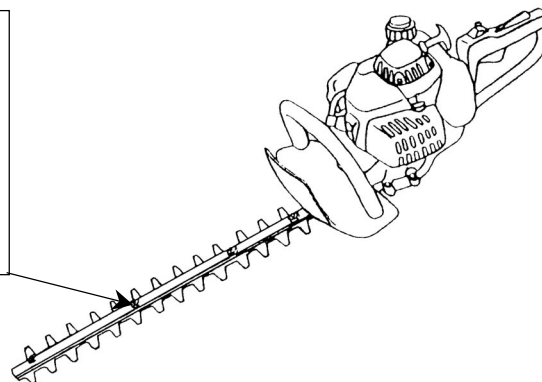
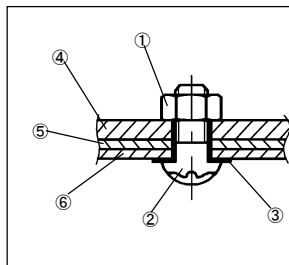


REMARQUE: N'omettez jamais de couper le moteur avant de procéder au réglage.

Les lames disposent d'une encoche autour de la vis ②. Si vous trouvez de la poussière dans l'extrémité d'une des encoches, nettoyez - la.

REMARQUE: Ne jamais faire le réglage des lames qu'après l'opération pour permettre un délai suffisant d'arrêt des lames (EN774).

- ① Ecrou en U hexagonal
- ② Vis
- ③ Rondelle plate
- ④ Rainure de la lame
- ⑤ Lame supérieure
- ⑥ Lame inférieure

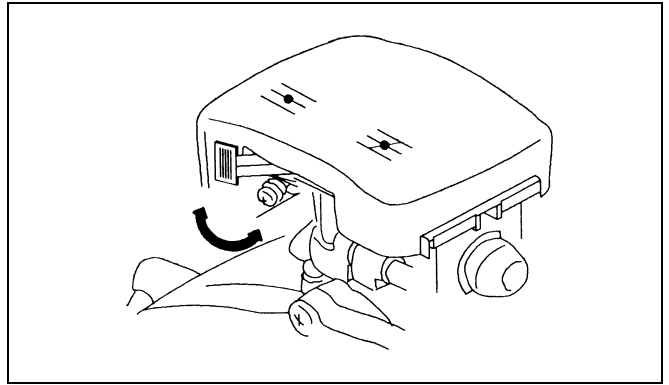




Contrôle de la vitesse de marche à vide

La lame de coupe ne doit pas fonctionner lorsque le levier de commande est complètement relâché.

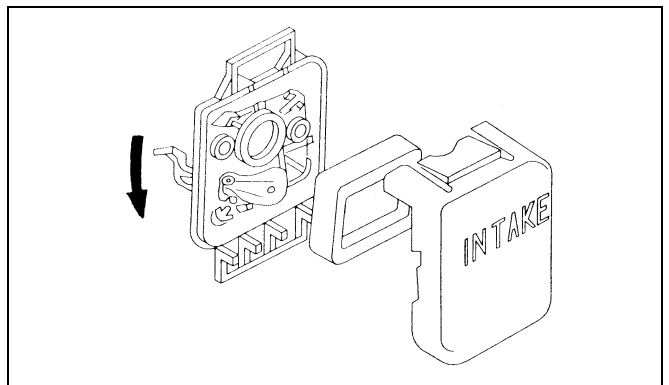
- La vitesse de marche à vide doit être réglée à 3000min⁻¹. Corrigez-la au moyen de la vis butée de ralenti (la lame de coupe ne doit pas fonctionner lorsque le moteur fonctionne en marche à vide).
 - Dans le sens des aiguilles d'une montre : pour une vitesse de révolution plus rapide.
 - Dans le sens inverse des aiguilles d'une montre : pour une vitesse de révolution plus faible. Vérifiez que la différence entre la vitesse de marche à vide et la vitesse d'embrayage est suffisante afin de garantir l'immobilisation de l'outil de coupe lorsque le moteur fonctionne en marche à vide (réduisez la vitesse de marche à vide si nécessaire). Si l'outil continue toujours à fonctionner dans des conditions de marche à vide, consultez l'agent du service après-vente autorisé le plus proche.
 - L'embrayage devrait être enclenché au minimum à 3750min⁻¹.
 - Vérifier le fonctionnement de Interrupteur "arrêt", le levier de déverrouillage, le levier de commande et le bouton de verrouillage.



Nettoyage de l'épurateur d'air- Tous les 8 heures (journalièrement)

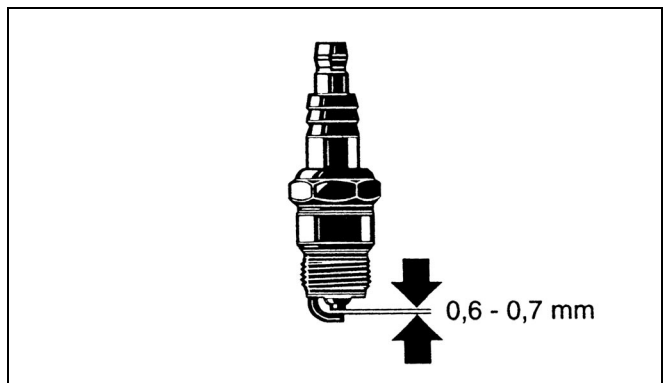
- Retirez le couvercle de l'épurateur d'air.
- Pousser le levier du starter vers le haut (flèche) afin d'empêcher que des particules de saleté ne rentrent dans le carburateur.
- Retirez l'élément spongieux, lavez - le dans de l'eau tiède et séchez - le entièrement.
- Une fois le nettoyage effectué, remettre l'élément spongieux et le couvercle de l'épurateur d'air à leurs places.

REMARQUE: Nettoyez l'épurateur d'air tous les jours si des quantités excessives de poussière ou de saleté y adhèrent. Un épurateur d'air bouché peut rendre le lancement du moteur difficile voire impossible ou augmenter la vitesse de rotation du moteur, ce qui peut entraîner des dommages.



Contrôle de la bougie d'allumage- Tous les 8 heures (journalièrement)

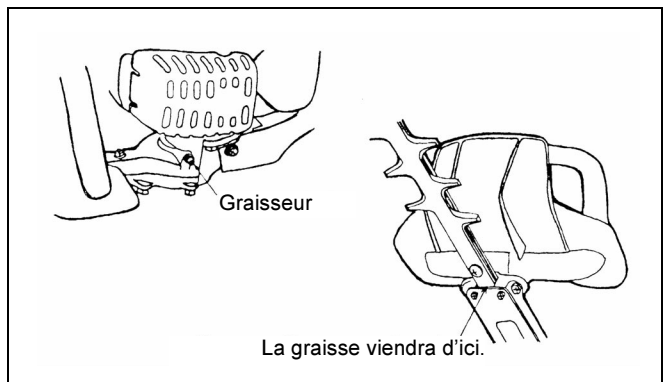
- Utilisez uniquement la clé à molette fournie pour retirer ou monter la bougie d'allumage.
- L'écartement entre les deux électrodes de la bougie d'allumage devrait être de 0,6-0,7mm. Si l'écartement est trop large ou trop étroit, réglez-le. Si la bougie d'allumage est bouchée avec des résidus de carbone ou si elle est encrassée, nettoyez-la soigneusement ou remplacez-la. Lors du remplacement utiliser le même modèle.



Ravitaillement en graisse et en lubrifiant

- Ravitaillez en graisse à partir du mamelon de graisse tous les 15 heures d'opération. (Shell Alyania No. 3 ou équivalent)
La quantité de graisse est environ 20 cc par chaque ravitaillement. (Quand la graisse est fournie régulièrement comme mentionné ci-dessus, la graisse viendra de la part de l'extrémité de la caisse de vitesse (au fond du tranchant) pendant l'opération juste après le ravitaillement en graisse. Confirmez ce phénomène comme guide du graissage)

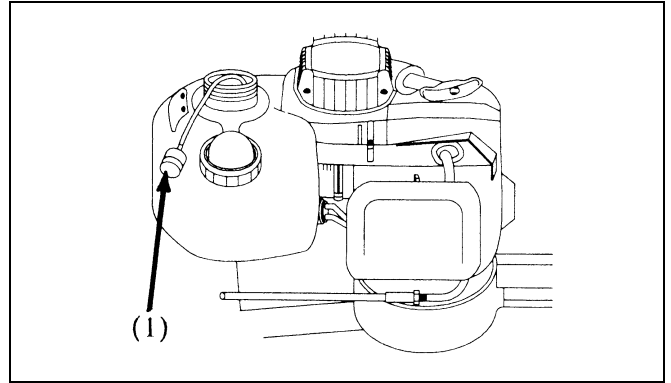
NOTA: Ne pas manquer de respecter la période et quantité de ravitaillement en graisse. Si le ravitaillement de graisse n'est pas fait à l'intervalle précisé ou en quantité insuffisante, la machine peut tomber en panne à cause de manquement de graisse.



Tête d'aspiration du réservoir de carburant

- Tous les 50 heures (par mois)

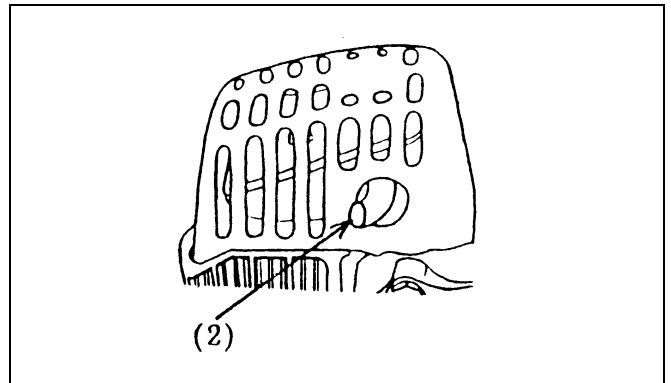
- Le filtre en feutre (1) de la tête d'aspiration est utilisé pour filtrer le carburant requis par le carburateur.
- Procédez quotidiennement à une inspection visuelle du filtre. A cet effet, ouvrez le bouchon du réservoir, utilisez un crochet en fil de fer et retirez la tête d'aspiration à travers l'ouverture du réservoir. Les filtres ayant durcis ou ayant été pollués ou bouchés doivent être remplacés.
- Un ravitaillement en carburant insuffisant peut résulter en un dépassement de la vitesse maximale admise. C'est pourquoi il est important de remplacer le filtre en feutre au moins tous les 3 mois afin de garantir un approvisionnement satisfaisant du carburateur en carburant.



Nettoyage de l'orifice du pot d'échappement

- Tous les 50 heures (par mois)

- Contrôlez régulièrement l'orifice du pot d'échappement (2).
- S'il est bouché par des dépôts de carbone, grattez soigneusement les dépôts avec un outil approprié. Ne laissez pas du carbone s'infiltrer dans les orifices du moteur.



Remplacez des tuyaux de carburant : tous les 200 heures (par an).

La révision du moteur : tous les 200 heures (par an).

Renouvelez les emballages et les garnitures : chaque fois que le moteur est rassemblée.

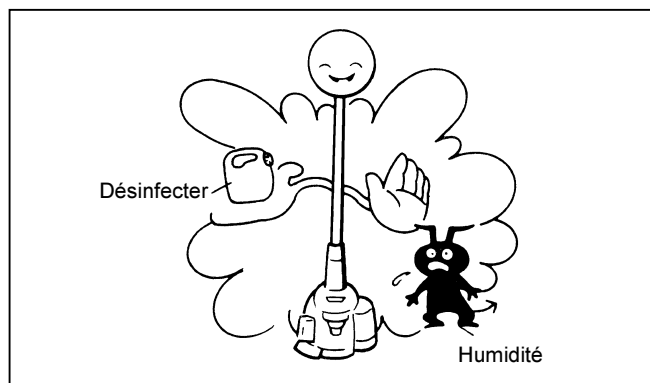
Tout travail de maintenance ou de réglage qui n'a pas été inclus et décrit dans ce manuel doit être effectué uniquement par un agent du service après-vente habilité.

Contrôles et travaux de maintenance quotidiens

Procédez aux opérations d'entretien suivantes à intervalles réguliers pour garantir une longévité importante et pour éviter que l'équipement ne soit endommagé.

- Avant l'utilisation, vérifiez si les vis sont serrées et si toutes les pièces sont présentes sur la machine. Veillez particulièrement au serrage des vis des lames de coupe. - Tous les 8 heures (journalièrement)
- Avant l'utilisation, contrôlez toujours si le passage de l'air de refroidissement et les ailettes ne sont pas bouchés. - Tous les 8 heures (journalièrement)
- Procédez à l'opération suivante tous les jours après utilisation:
 - Nettoyez l'extérieur du taille - haies et vérifiez s'il n'est pas endommagé.
 - Nettoyez le filtre à air. Lorsque les conditions de travail sont extrêmement poussiéreuses, nettoyez le filtre plusieurs fois par jour.
 - Contrôlez si la lame n'est pas endommagée et assurez - vous qu'elle est montée solidement.

STOCKAGE



- Lorsque la machine est remise pendant une durée importante, évacuer le carburant du carburateur de la manière suivante : évacuer la totalité du carburant du réservoir et s'en débarrasser en respectant les réglementations locales.
- Retirer la bougie d'allumage et ajouter quelques gouttes d'huile dans le trou de la bougie d'allumage. Tirer ensuite doucement le câble de démarrage, vérifier que la pellicule d'allumage. Tirer ensuite doucement le câble de démarrage, vérifier que la pellicule d'huile recouvre le moteur à l'intérieur et remettre la bougie d'allumage.
- Nettoyer la saleté et la poussière accumulée sur la lame de la débroussailleuse et à l'extérieur du moteur, essuyer avec un chiffon imbibé d'huile et remettre la machine dans un lieu aussi sec que possible.
- Respectez les Règlements fédéraux et locaux pour le stockage et la manutention sécuritaires de l'essence.

PROGRAMME D'ENTRETIEN

Maintenance régulière	Bloc-moteur vis et écrous	Contrôle visuel d'éventuelles détériorations et de l'étanchéité Contrôle de l'état général et de la fixation
Après chaque plein d'essence	Levier du papillon des gaz Touche de blocage Interrupteur "arrêt"	Contrôle fonctionnel Contrôle fonctionnel Contrôle fonctionnel
Chaque jour	Filtre à air Conduit de ventilation Outil de coupe Vitesse de ralenti	A nettoyer A nettoyer Contrôle de l'endommagement et de l'affûtage Contrôle (Est-ce que le moteur tourne bien)
Toutes les 15 heures	Carter d'engrenage	Alimenter en graisse
Chaque semaine	Bougie Silencieux	Contrôler, à remplacer si nécessaire Contrôler et nettoyer l'ouverture si nécessaire
Chaque trimestre	Tête d'aspiration Réservoir à carburant	A remplacer A nettoyer
Opérations à effectuer lors d'un arrêt de machine	Réservoir à carburant Carburateur	Vidanger le réservoir à carburant Le faire fonctionner jusqu'à ce qu'il n'y ait plus d'essence dans le moteur.

LOCALISATION DES DÉFAUTS

Défaut	Système concerné	Observation	Causes possibles
Le moteur ne démarre pas ou démarre difficilement	Système	Présence d'une étincelle d'allumage	Anomalie du système d'alimentation en carburant ou de compression, défaut mécanique
		Pas d'étincelle à l'allumage	Interrupteur-ARRET actionné, mauvais branchement électrique ou court-circuit, bougie ou connecteur défectueux, module d'allumage défectueux.
	Système d'alimentation en essence	Réservoir plein	Mauvaise position du volet d'arrivée d'air, carburateur défectueux, aspiration (filtre du circuit de gaz) encrassée, circuit d'alimentation d'essence déformé ou coupé.
		Compression	Intérieur du moteur
	Extérieur du moteur		Mauvaise étanchéité de la bougie
Difficultés de démarrage à chaud	Défaut mécanique	Le démarreur n'engage pas	Ressort de démarreur cassé, rupture de pièces internes du moteur
		Réservoir plein Étincelle à l'allumage	Carburateur encrassé ; le faire nettoyer
Le moteur démarre, mais s'étouffe immédiatement	Alimentation en essence	Réservoir plein	Mauvais réglage du ralenti. Le carburateur ou la tête d'aspiration sont encrassés
			Le bouchon du réservoir est défectueux, l'alimentation en carburant est interrompue, câble ou interrupteur défectueux
Performances insuffisantes	Plusieurs systèmes peuvent être concernés simultanément	Le moteur tourne au ralenti	Filtre à air encrassé, carburateur encrassé, silencieux bouché, conduite d'échappement du cylindre bouchée.

Agradeceremos muchísimo el que nos haya honrado con la elección del cortasetos de DOLMAR. Nos complace poder ofrecerle el cortasetos de DOLMAR resultado de un largo programa de desarrollo y de muchos años de conocimiento y experiencia.

Los modelos del cortasetos HT-2145 D/HT-2162 E combinan las ventajas de la más avanzada tecnología con el diseño ergonómico, y son ligeros de peso, manejables, compactos, y representan el equipo de herramientas profesionales para una gran variedad de aplicaciones.

Para mayor seguridad y rendimiento de la herramienta, asegúrese de leer, entender y seguir todas las instrucciones de seguridad y las operaciones del manejo que se indican en el manual de instrucciones antes de utilizar la herramienta.



Índice

Página

Símbolos..... 33
 Instrucciones de seguridad 34-37
 Especificación 37
 Designación de las piezas 38
 Combustible / Repostaje 39-40
 Precauciones antes de poner en funcionamiento 40
 Puesta en funcionamiento de la máquina 41
 Parada de la máquina 41
 Operación de la máquina 42
 Mantenimiento de la máquina 43-45
 Almacenaje 46
 Programa de mantenimiento 46
 Localización de averías 46

SÍMBOLOS

Será muy importante entender los siguientes símbolos cuando lea este manual de instrucciones.

	ADVERTENCIA / PELIGRO		Mezcla de combustible y aceite.
	Lea, entienda y siga las instrucciones del manual		Encendido manual del motor.
	Prohibido.		Parada de emergencia
	No fumar.		Primeros auxilios.
	Evite las llamas		Reciclado
	Deben utilizarse guantesprotectores.		
	Mantener el área de operación librede personas y animales.		ON/encendido
	Utilizar casco protector, protecciónpara ojos y oídos		Off/Apagado

INSTRUCCIONES DE SEGURIDAD

Instrucciones Generales

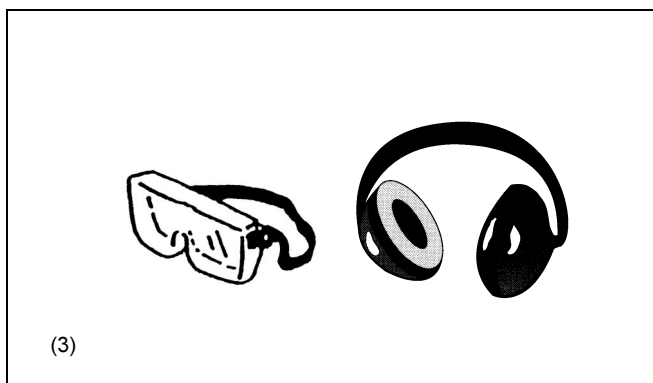
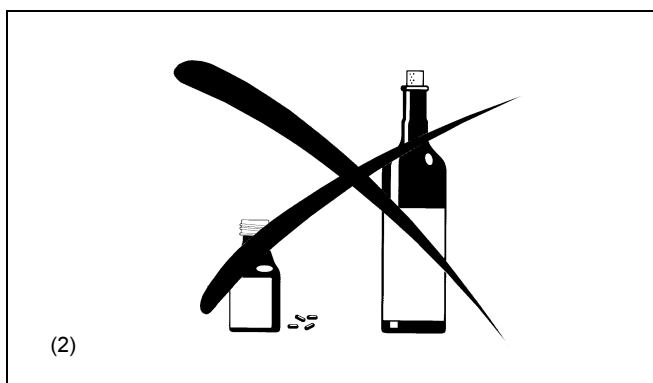
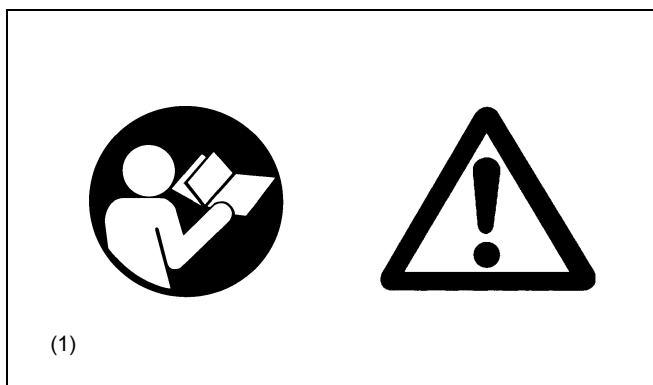
- Esta máquina puede causar heridas graves si se usa de forma incorrecta. Para asegurar un funcionamiento correcto, el usuario debe leer este manual de instrucciones para hacerse familiar con el funcionamiento del cortasetos. Los usuarios que no se informen suficientemente causarán riesgo para ellos mismos y otras personas debido a un funcionamiento inadecuado. (1)
- Se recomienda prestar el cortasetos sólo a las personas que demuestren tener experiencia con el mismo. Entregue siempre el manual de instrucciones.
- Los usuarios que utilicen el cortasetos por vez primera, deberán solicitar las instrucciones básicas al concesionario para familiarizarse con su manejo.
- A los niños y a los jóvenes menores de 18 años no se les deberá permitir utilizar el cortasetos. Las personas de más de 16 años, sin embargo, podrán utilizar la herramienta con el fin de ser instruidos en su utilización sólo cuando se encuentren bajo la supervisión directa de un instructor cualificado.
- Utilice el cortasetos con el máximo cuidado y atención.
- Utilice solamente el cortasetos cuando se encuentre en buenas condiciones físicas. Haga todo el trabajo a conciencia y con cuidado. El usuario tendrá que aceptar responsabilidades por los demás.
- Nunca utilice el cortasetos bajo la influencia del alcohol o drogas, ni cuando esté cansado (2).

Uso deseado de la máquina

- Se designa el cortasetos sólo para el propósito de arbustos y matorrales, y no utilice para cualquier otro propósito. No abuse el cortasetos.

Equipo de seguridad personal

- La cubierta de la cuchilla deberá quedar ajustada cuando se transporte la máquina.
- Las ropas que se lleva deberá ser funcional y apropiada, por ejemplo, deberá quedar ajustada pero no estorbar. No lleve joyas o ropas sueltas que puedan ser enredadas con arbustos o la máquina.
- Para evitar heridas en los ojos, las manos o los pies, deberá usar el equipo y la ropa de protección siguientes mientras que utilice el cortasetos.
- Utilice siempre las gafas de seguridad para protección de ojos que están especificadas en ANSI Z87.1.
- Durante del uso del cortasetos póngase siempre gafas o viseras para evitar daños de los ojos. (3)
- Utilice la ropa apropiada para proteger las piernas y otras partes expuestas de su cuerpo. (4)
- Los guantes especiales hechos de cuero grueso son una parte del equipo prescrito y el usuario siempre deberá ponérselos durante el uso del cortasetos. (4)
- Al utilizar el cortasetos, póngase siempre zapatos fuertes con suelas que no patinen. Eso protege contra daños y asegura una buena posición. (4)



Arranque del cortasetos

- Asegúrese de que no haya niños u otras personas de un radio de 15 metros del lugar de trabajo (5), tenga cuidado también con cualquier animal que pueda haber en las cercanías del lugar de trabajo. Nunca haga funcionar la máquina mientras personas, especialmente niños estén cerca.
- **Antes de utilizar el cortasetos, compruébelo siempre para asegurarse de que no exista peligro al utilizarlo:**
Compruebe que la palanca de la mariposa funciona de forma segura. La palanca de la mariposa deberá ser comprobada para ver si se puede mover suave y fácilmente. Compruebe el bloqueo de la palanca de la mariposa para ver si funciona correctamente. Asegúrese de que los manilleros están secos y pruebe el funcionamiento del interruptor de arranque/parada. Mantenga los manilleros limpios de aceite y combustible.

Arranque el cortasetos solamente como se explica en las instrucciones.

¡No utilice ningún otro método para arrancar el motor (6)!

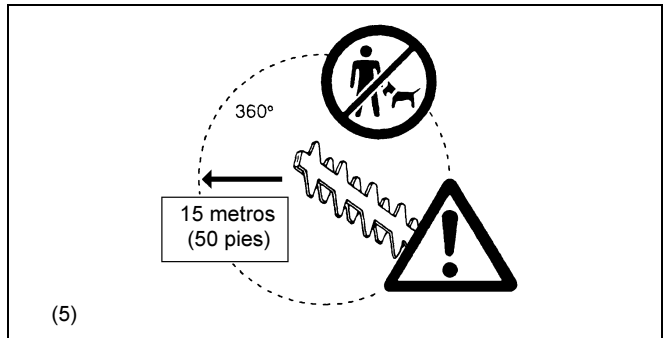
- Utilice el cortasetos sólo para aplicaciones especificadas.
- Arranque el motor del cortasetos sólo después de haber ensamblado la herramienta completa. ¡El funcionamiento de la herramienta sólo está permitido después de haber instalado todos los accesorios!
- Antes de arrancarlo, asegúrese de que la cuchilla de corte no tendrá contacto con cualquier objetos como ramas, piedras, etc.
- El motor deberá pagarse inmediatamente en caso de detectarse cualquier problema en él.
- Cuando trabaje con el cortasetos, agarre el manillar rodeándolo con sus dedos de las ambas manos firmemente, manteniendo el manillar de control aprisionado entre el dedo pulgar y el índice. Mantenga la mano en esta posición para tener la máquina bajo control en todo momento. Asegúrese de que el manillar de control se encuentren en buenas condiciones y sin humedad, brea, aceite o grasa.

Asegúrese siempre de que sus pies estén en una posición segura y bien equilibrada.

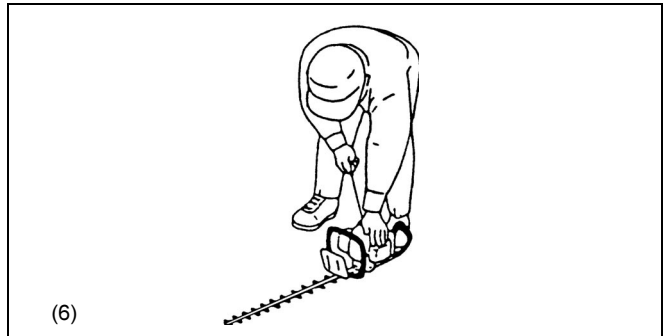
- Utilícelo sólo en exteriores.
- Utilice el cortasetos de manera que no inhale los gases del escape. Nunca ponga en funcionamiento el cortasetos en un lugar cerrado (existe el riesgo de que se asfixie o se envenene con el gas). El monóxido de carbono es un gas inodoro. Asegúrese siempre de que la ventilación sea adecuada.
- Pare el motor cuando descansa o deje el cortasetos desatendido. Póngalo en un lugar seguro para evitar poner en peligro a otras personas, incendiar materiales combustibles o estropear la máquina.
- No deje nunca el cortasetos caliente sobre hierba seca o materiales combustibles.
- No ponga nunca el motor en marcha si el silenciador está estropeado.
- Pare el motor durante el transporte (7).
- Asegure adecuadamente la herramienta antes de transportar en el vehículo para evitar fuga de combustible.
- Cuando transporte el cortasetos, asegúrese de que el tanque de combustible esté completamente vacío.

Repostaje

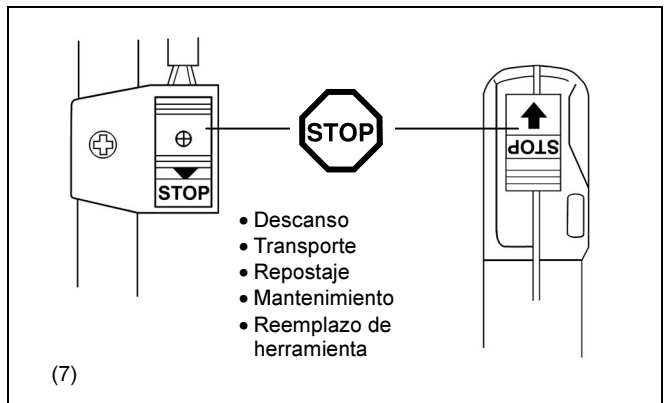
- Para reducir el riesgo de incendio y quemadura; maneje combustible con cuidado. Es altamente combustible.
- Pare el motor antes de repostar (7), manténgase alejado de las llamas (8) y no fume.
- No intente repostar un motor caliente o en funcionamiento.
- Evite el contacto de la piel con los productos derivados del petróleo. No inhale el vapor del combustible. Póngase siempre guantes de protección durante el repostaje. Cambie y limpie la ropa protectora a intervalos regulares.
- Tenga cuidado de no derramar combustible ni aceite para no contaminar el suelo (protección del medio ambiente). Limpie el cortasetos inmediatamente después de que se haya derramado combustible. Permita que los trapos mojados se sequen antes de tirarlos en recipientes adecuados y tapados para evitar la combustión espontánea.
- Evite cualquier contacto del combustible con sus ropa. Cambie instantáneamente su ropa si ha derramado combustible en ella (inflamable).
- Inspeccione a intervalos regulares la tapón del tanque de combustible para asegurarse de que esté firmemente apretada.
- Apriete cuidadosamente el tornillo de apriete del tanque de combustible. Asegure, antes de arrancar el motor, la distancia de 10 pies (3 metros) desde el lugar de relleno de combustible.
- Nunca reposte en habitaciones cerradas. El vapor del combustible se acumula a nivel del suelo (riesgo de explosión).
- Transporte y guarde solamente el combustible en recipientes aprobados. Asegúrese de que el combustible esté almacenado fuera del alcance de niños.
- Cuando mezcle gasolina con aceite de motor de dos tiempos, utilice solamente gasolina sin etanol ni metanol (tipos de alcohol). Esto evitará problemas en los tubos de combustible y en otras piezas del motor.
- Asegure que la unidad esté ensamblada correctamente y se encuentre en buena condición operativa.



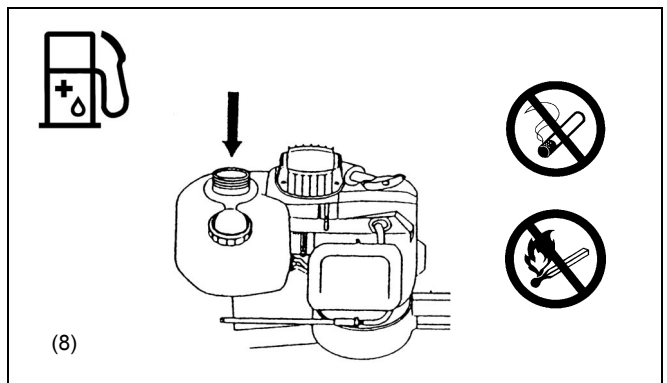
(5)



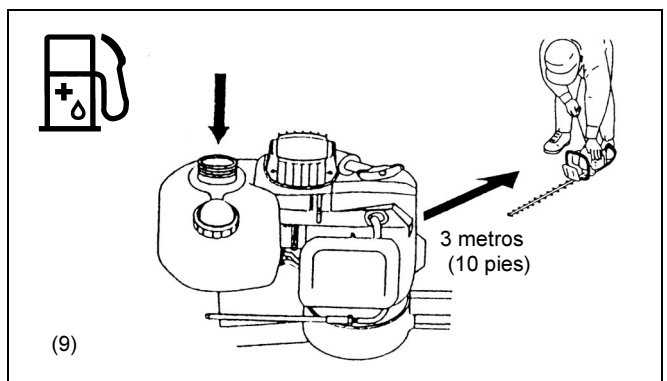
(6)



(7)



(8)



(9)

Método de funcionamiento

- Utilice el cortasetos solamente donde haya buena luz y visibilidad. Durante las estaciones frías, tenga cuidado con los lugares resbaladizos o mojados, el hielo o la nieve (riesgo de patinar). Asegúrese siempre de que sus pies estén en una posición segura.
- No se pase o permanezca sobre el apoyo inestable. Manténgase siempre en buena posición y balance.
- Mantenga ambos pies sobre el terreno.
- Nunca quede a pie en una escalera ni arranque el cortasetos.
- Nunca suba a un árbol para cortar con el cortasetos.
- **EL PELIGRO – PELIGRO DE CORTE – MANTENGA LAS MANOS LEJOS DE CUCHILLAS.**
No alimente ramitas u otro material para ser cortada en la cuchilla con sus manos o meter las manos en la cuchilla con movimiento para remover setos restantes. Cuando recoja o sostenga la herramienta nunca agarre las cuchillas cortadoras expuestas o bordes cortadores. **PRECAUCIÓN** - la Cuchilla puede estar en movimiento aún después del motor apagado.
- **GUARDE MANOS Y TODAS LAS PARTES DEL CUERPO LEJOS DE la cuchilla.** Los bordes son afilados y pueden ocasionar daños aún cuando la herramienta esté en "OFF"
- **ANTES DE ARRANCAR**, verifique las áreas que si estén libre de cables, cordones, vidrio u otros objetos extraños que pueden tener contacto con la cuchilla.
- Guarde las ambas manos sobre las manillas cuando opere el cortasetos. Nunca agarre cuchillas expuestas del cortasetos.
- Asegure el motor parado y las cuchillas paradas antes de remover material atascado.
- Asegure que esté libre de cualquier línea y/o mallas eléctricas. Verifique todas áreas para que estén libres de líneas eléctricas antes de empezar el trabajo.
- Para reducir el riesgo de que se pueda tambalear o perder el control, no camine hacia atrás cuando esté utilizando la máquina.

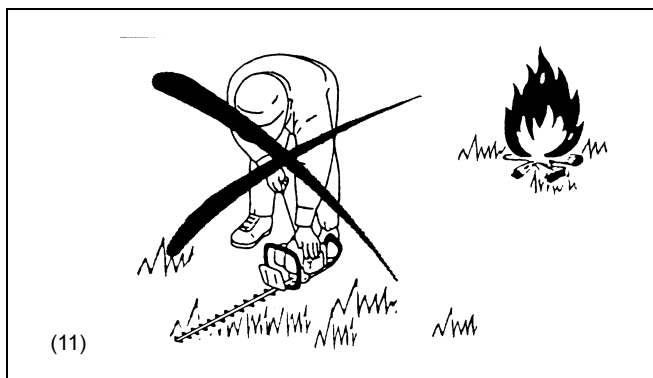
Maintenance instructions

- Pare siempre el motor antes de limpiar o hacer el servicio a la máquina, o al cambiar partes de la misma.
- **MANTENGA HERRAMIENTA CON CUIDADO.** Mantenga las cuchillas afiladas y limpias para su mejor desempeño. Siga instrucciones para la lubricación y el debido mantenimiento.
- Respete el medio ambiente. Utilice el cortasetos de forma que haga tan poco ruido y produzca tan poca contaminación como sea posible. En particular, compruebe si el carburador está bien ajustado.
- Limpie el cortasetos a intervalos regulares y compruebe si todos los tornillos y tuercas están firmemente apretados.
- Nunca realice trabajos de mantenimiento ni guarde el cortasetos cerca de llamas, chispas, etc. (11)
- Guarde siempre el cortasetos con el tanque de combustible vacío fuera del alcance de niños en una habitación bien ventilada y cerrada con llave.

Observar las instrucciones de prevención de accidentes que dictan los sindicatos y asociaciones oficiales y las compañías de seguros. No realizar modificaciones en el cortasetos ya que pondrán en peligro su seguridad.

Los trabajos de mantenimiento o reparación que pueda realizar el usuario se limitarán a los descritos en este manual de instrucciones. Todos los demás trabajos deberán realizarlos agentes de servicio autorizados.

Utilice solamente piezas de recambio y accesorios genuinos suministrados por DOLMAR. La utilización de accesorios no aprobados significará un aumento del riesgo de accidentes y heridas. DOLMAR no aceptará ninguna responsabilidad por los accidentes o los daños causados al utilizar cualquier accesorio no autorizado.

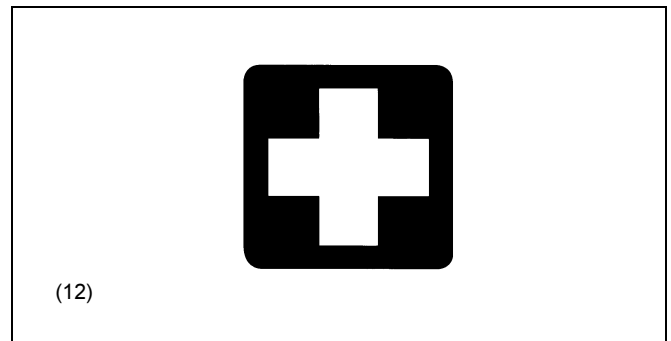


Primeros auxilios

En caso de accidente, asegúrese de tener el botiquín de primeros auxilios bien surtido, de acuerdo a las normas DIN 13164, cerca de donde trabaje. Reponga inmediatamente cualquier artículo que tome del botiquín de primeros auxilios.

Embalaje

El cortasetos de DOLMAR se entrega en una caja de cartón protectora para evitar que se estropee durante el transporte. El cartón es una materia prima básica que, por lo tanto, puede volver a utilizarse, y además es muy adecuada para ser reciclada (reciclado de papel).

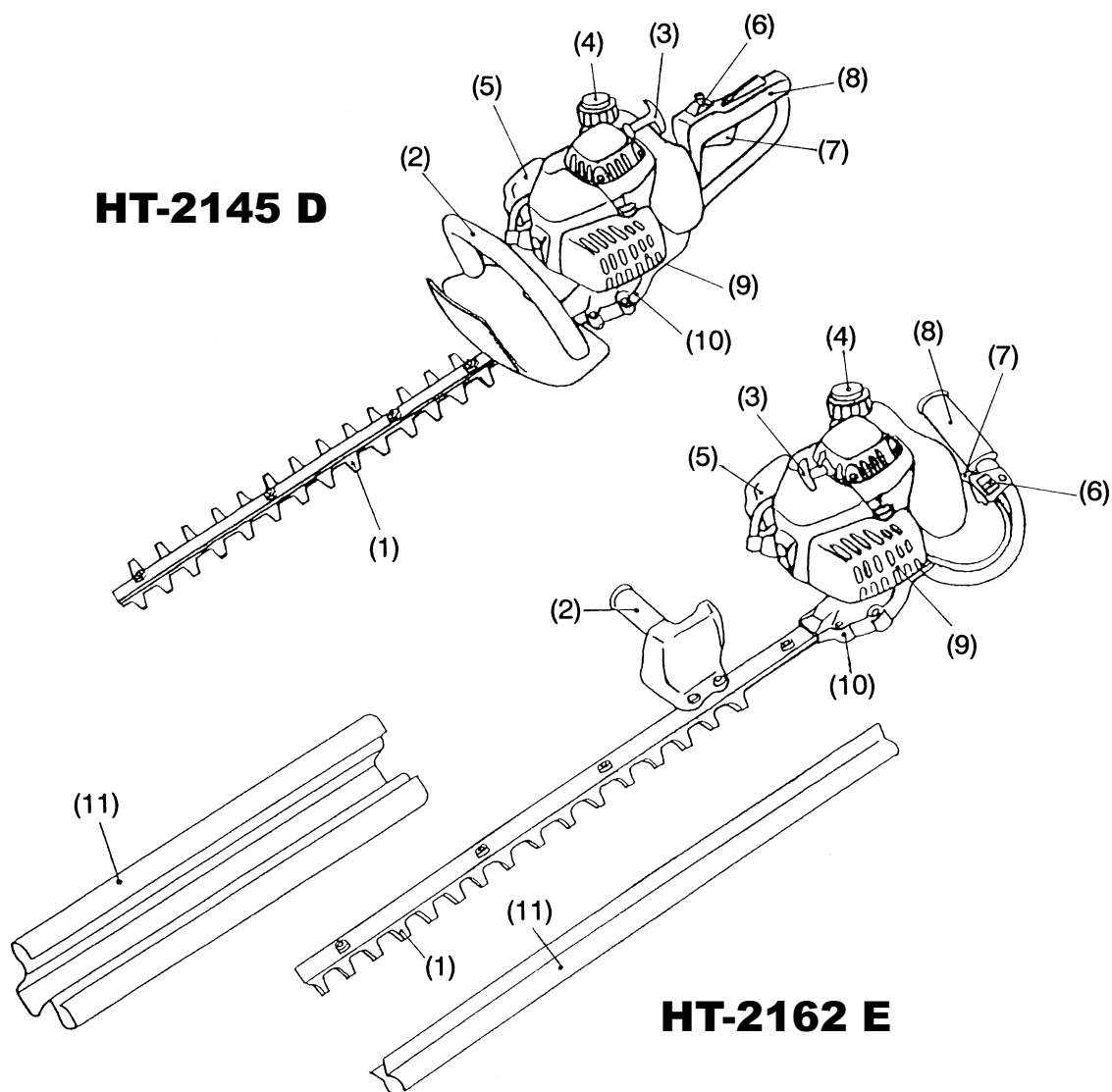


ESPECIFICACIÓN

Modelo		HT-2145 D	HT-2162 E
Dimensiones (largo X ancho X alto)	mm	964 x 244 x 218	1,063 x 288 x 218
Masa (con cubierta de cuchilla)	kg	4.4	4.5
Volumen (tanque de combustible)	L	0.4	
Cilindrada del motor	cm ³	21.0	
Longitud del cortador	mm	450	620
Rendimiento máximo del motor	kw	0.60	
Velocidad máxima de cuchilla	m/s	1.8	
Velocidad de ralentí	1/min	3,000	
Velocidad del embrague	1/min	4,000	
Tipo del carburador	type	WALBRO WYL	
Sistema de encendido	type	Encendido de estado sólido	
Bujía	type	NGK-BPM4A	
Separación entre electrodos	mm	0.6 ~ 0.7	
Relación de mezcla (combustible: aceite para motores de 2 tiempos de DOLMAR)		50 : 1	
Relación de engranajes		8 : 34	

1) El dato se toma en cuenta igualmente en los modos de operación de velocidad en ralentí y de en marcha.

DESIGNACIÓN DE LAS PIEZAS



DESIGNACIÓN DE LAS PIEZAS		DESIGNACIÓN DE LAS PIEZAS	
1	Cuchilla	7	Palanca del acelerador
2	Manillar delantero	8	Manillar trasero
3	Arrancador de recular	9	Silenciador
4	Tapón del tanque de combustible	10	Caja de engranajes
5	Carburador	11	Cubierta de cuchilla
6	Interruptor de parada		

COMBUSTIBLES/REPOSTAJE

Mezcla de combustible y aceite

Inspeccione el depósito del carburante y rellénelo con una nueva mezcla en sus porciones adecuadas para asegurar una larga duración de la herramienta. Utilice la siguiente mezcla.

Gasolina : Aceite de motor de dos carreras legítimo de DOLMAR = 50 : 1 o

Gasolina : Aceite de motor de dos carreras de otros fabricantes = 25 : 1

REGULACIONES PARA EL ESTADO DE CALIFORNIA

CERTIFICAMOS QUE ESTE EQUIPO TRABAJA CON UNA MEZCLA DE GASOLINA Y DE ACEITE PARA MOTORES DE DOS TIEMPOS

Cuando mezcle gasolina con aceite para motores de dos tiempos, utilice únicamente gasolina normal ya que no contiene etanol o metanol (tipo de alcohol). Con ello se evitan posibles daños a los tubos de la gasolina y a otras piezas del motor.

No mezcle la gasolina y el aceite directamente en el depósito del carburante.

IMPORTANTE:

No seguir las apropiadas indicaciones sobre la mezcla de combustible puede causar daños al motor.



– El motor del cortasetos es un motor de dos tiempos altamente eficaz. Funciona con una mezcla de combustible y aceite para motores de dos tiempos. El motor ha sido diseñado para que funcione con combustible normal sin plomo, con un octanaje mínimo de 91 ROZ. En caso de no disponer de este combustible, podrá utilizar otro de un octanaje superior. Esto no afectará el motor, pero tal vez sea la causa de que su funcionamiento no sea adecuado. Cuando se utilice combustible con plomo se producirá una situación similar. ¡Para obtener el rendimiento máximo del motor y para proteger su salud y el medio ambiente, sólo deberá utilizarse combustible sin plomo!

– Para lubricar el motor utilice un aceite de motor de dos tiempos (grado de calidad: TC-3), que se añade al combustible. El motor ha sido diseñado para utilizar el aceite de motor de dos tiempos de DOLMAR con una relación de mezcla de 50 : 1, para proteger el medio ambiente. Además quedará asegurada una larga vida de servicio y un funcionamiento fiable con el mínimo de emisión de gas de escape. Es absolutamente esencial que la relación de mezcla sea del 50:1 (aceite para motor de dos tiempos de DOLMAR). De lo contrario, la función fiable del cortasetos no se podrá garantizar.

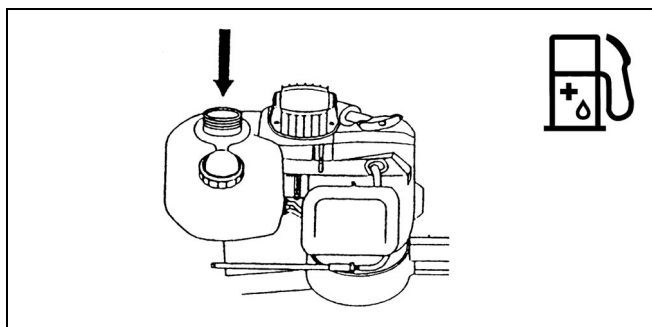
– Relación de mezcla correcta:

Mezcle 50 partes de gasolina con 1 parte de aceite para motor de dos tiempos de DOLMAR (consulte la tabla de la derecha).

NOTA: Para preparar la mezcla de combustible y aceite, mezcle primero todo el aceite con la mitad del combustible necesario en un recipiente aprobado que cumpla o supere todas las normas locales, y luego añada el combustible restante. Agite bien la mezcla antes de llenar con ella el tanque del cortasetos. No es prudente añadir más aceite del especificado para asegurar el funcionamiento. Esto sólo producirá más residuos en la combustión que contaminarán el medio ambiente y obstruirán el silenciador. Además, el consumo del combustible aumentará y el rendimiento disminuirá.

Manejo de productos derivados del petróleo

Al manejar el combustible deberá utilizarse el mayor cuidado posible. El combustible puede tener sustancias similares a los disolventes. Reposte en una área bien ventilada o al aire libre. No inhale el vapor del combustible y evite cualquier contacto del combustible o del aceite con su piel. Los productos de aceite mineral eliminarán la grasa de su piel. Si su piel entra en contacto de forma repetida o prolongada con estas sustancias se podrán producir varias enfermedades en la piel. También podrán producirse reacciones alérgicas. Los ojos podrán irritarse si entran en contacto con el aceite, el combustible, etc. Si entra aceite en sus ojos, lávelos inmediatamente con agua potable. Si sus ojos no dejan de estar irritados, ¡acuda inmediatamente a un médico!



Gasolina	+	50:1
1000 mL (1 L)		20 mL
5000 mL (5 L)		100 mL
10000 mL (10 L)		200 mL

Repostaje

Detenga siempre el motor y permita que éste se enfríe antes de repostar.

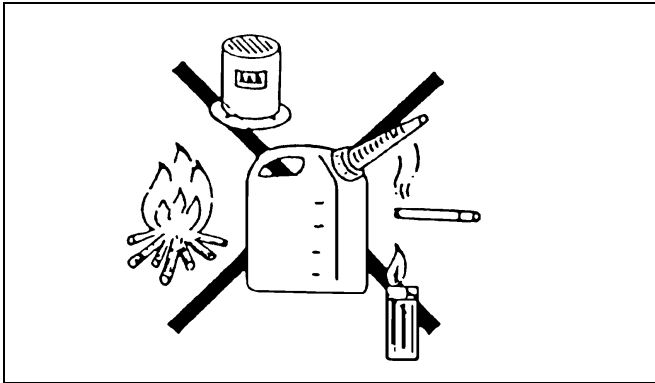
- Limpie minuciosamente la zona alrededor del tapón del depósito para que no pueda entrar suciedad en el mismo.
- Abra el tapón del depósito y llénelo con el combustible.
- Apriete firmemente el tapón.
- Limpie el tapón y el depósito una vez haya repostado. Seque cualquier derrame de combustible.

Para guardar el combustible

- El combustible no se podrá guardar durante un período ilimitado de tiempo.
- Compre solamente la cantidad necesaria para 4 semanas de funcionamiento.
- Utilice solamente los recipientes aprobados para guardar combustible.

ADVERTENCIA

La gasolina es extremadamente inflamable. Ponga un cuidado especial cuando maneje gasolina o combustibles mezclados. No fume o acerque ninguna llama cerca del depósito.



PRECAUTIONS BEFORE STARTING

- Por favor asegúrese de que no haya niños ni otras personas dentro de un radio de 15 metros del punto de trabajo, tenga cuidado también con cualquier animal que pueda haber en las cercanías del lugar de trabajo.
- Antes de utilizar el cortasetos, compruébelo siempre para asegurarse de que no exista peligro al utilizarlo. Compruebe que el dispositivo del corte no está dañado, la palanca de control funciona fácilmente, y el funcionamiento del Interruptor de parada también. No se permite rotación del dispositivo de corte durante el ralentí. Compruebe con su concesionario el ajuste si es dudoso. Compruebe que los manilleros están limpios y secos, y la prueba del funcionamiento del Interruptor de parada.
- Arranque el cortasetos solamente como se explica en las instrucciones. No utilice ningún otro método para arrancar el motor. (Véase "Puesta en funcionamiento").
- Arranque el motor del cortasetos sólo después de haber ensamblado la herramienta completa. El funcionamiento de la herramienta sólo está permitido después de haber instalado todos los accesorios. Si no, hay riesgo de herida.
- Antes de arrancarlo, asegúrese de que el dispositivo de corte no tendrá contacto con cualquier objetos como ramas, piedras, etc.
- Antes de recortar, inspeccione el área por alambres, cordones, cristales u otros objetos extraños que podrían entrar en contacto con la cuchilla.

Choque electrónico. Tenga en cuenta de todas las líneas eléctricas y valla eléctrica. Compruebe las líneas eléctricas antes del recorte.

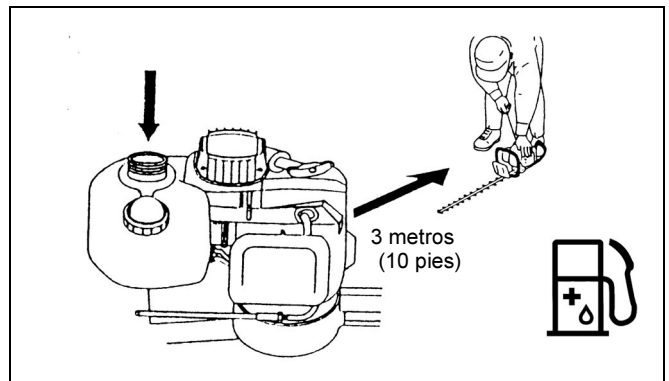
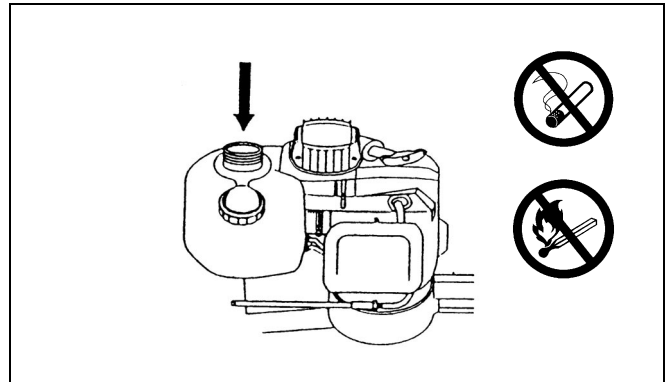
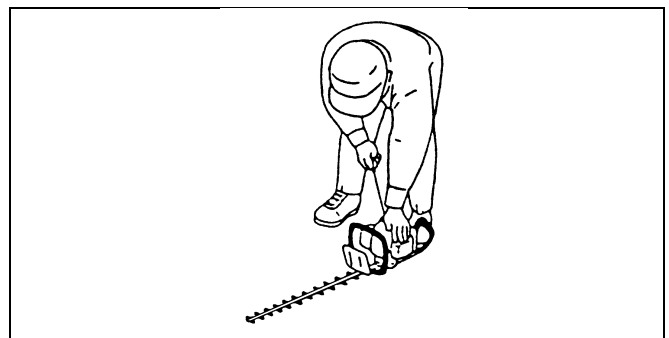
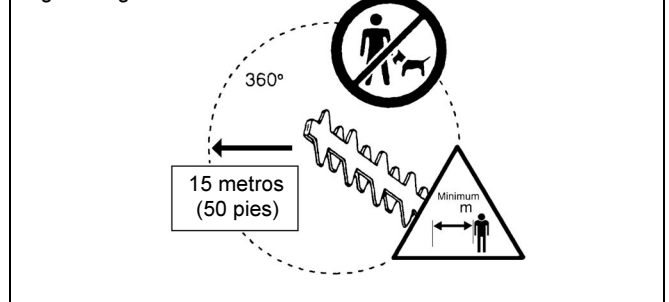


Figura diagramática

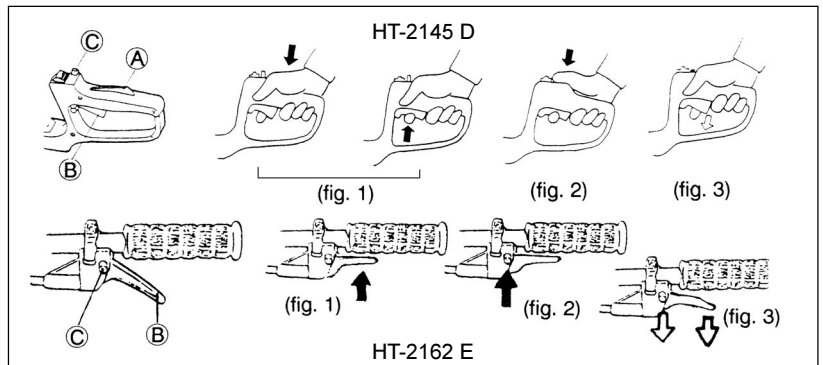
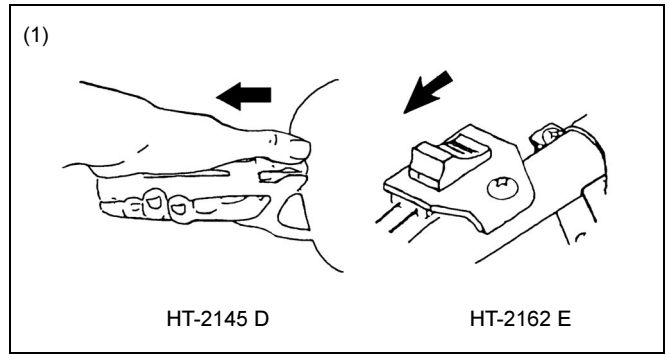




Puesta en funcionamiento del cortasetos

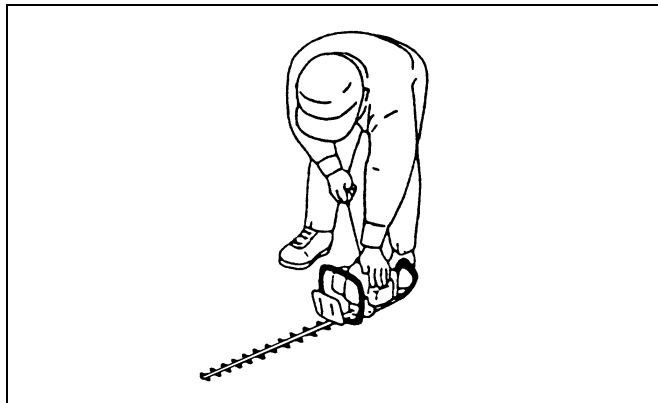
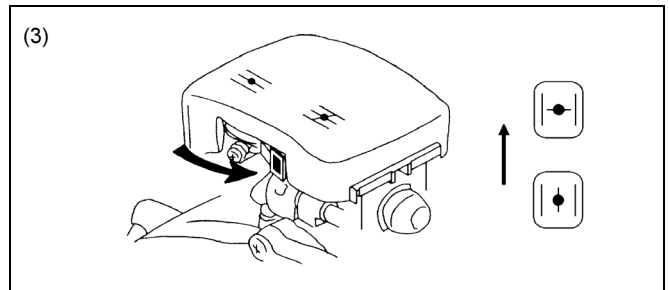
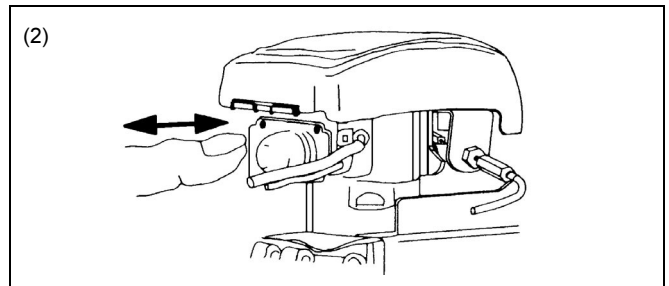
Aléjese un mínimo de 3 metros del lugar de repostaje. Ponga el cortasetos sobre un lugar despejado del terreno asegurándose de que la herramienta de corte no esté en contacto con el suelo ni otros objetos.

1. Coloque el interruptor de parada en posición "I".
2. Apriete primero la palanca de cierre A y al mismo tiempo la palanca del acelerador B. (fig.1)
3. Mantenga la palanca del acelerador B apretada y al mismo tiempo apriete el cierre de acelerador C hacia interior. (fig. 2)
4. Manteniendo el cierre de acelerador C apretado, suelte la palanca del acelerador B, esto bloqueará la palanca del acelerador B en la posición. (fig. 3)
5. Apriete suave y repetidamente (de 7 a 10 veces) sobre la bomba primaria (2) hasta que el combustible llegue a la misma.
6. Coloque la palanca del estrangulador (3) en la posición (|↕|).
7. Sujetar la unidad firmemente para no perder el control mientras se arranca el motor. Si no se sujeta adecuadamente, el motor podría hacerle caer o hacer girar la cuchilla hasta un obstáculo o su cuerpo.
8. Tire lentamente la agarradera de arrancador hasta que se sienta la resistencia y continúe tirándolo hasta la que la ignición inicial se oye.
9. Suelte la palanca del estrangulador (3) a la posición (|↕|) y tire nuevamente el cable arrancador hasta el motor se pone en marcha.
10. Tan pronto como arranque el motor, tapar y soltar inmediatamente el acelerador, soltando el cierre de medio-acelerador de forma que el motor podrá en marcha lenta.
11. Arranque el motor durante aproximadamente un minuto a la velocidad moderada antes de aplicar toda la velocidad.



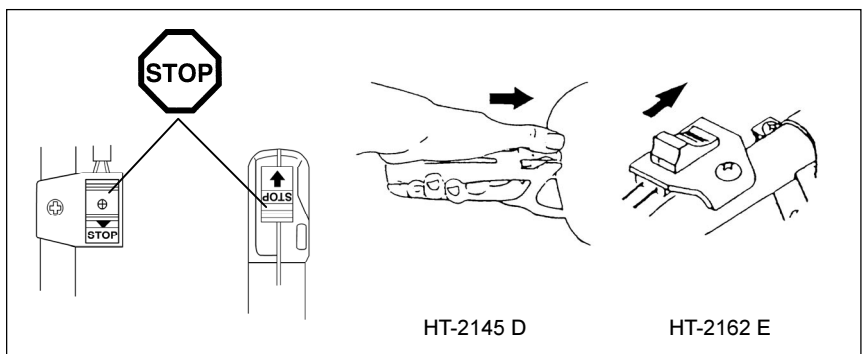
Arranque del motor en caliente: (Rearranque inmediatamente después de que el motor se haya parado) Cuando rearranque un motor caliente, primero intente el procedimiento arriba:1, 5, 7, 8 Si el motor no arranque, repita los pasos arriba 1-11.

Note: No tire de la cuerda de arranque hasta su extensión completa y no deje el botón de arranque tirado sin control. Asegúrese de que éste esté tirado lentamente.



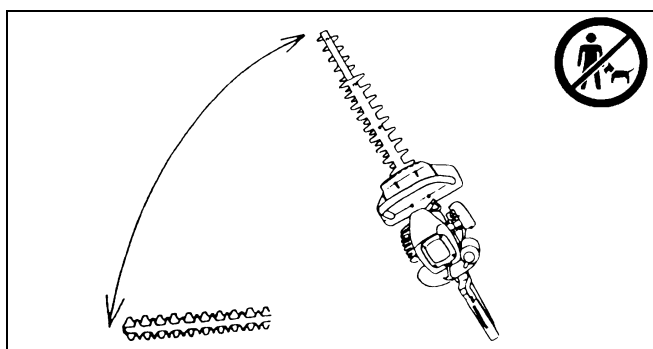
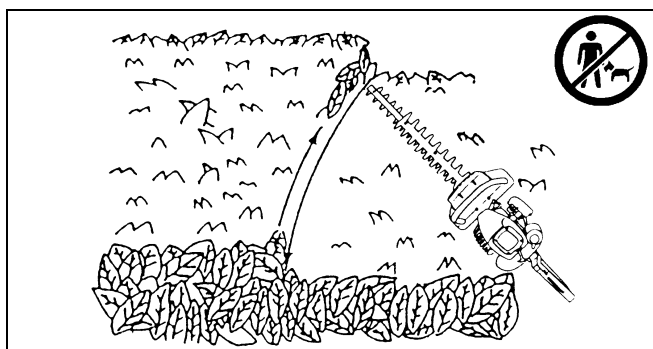
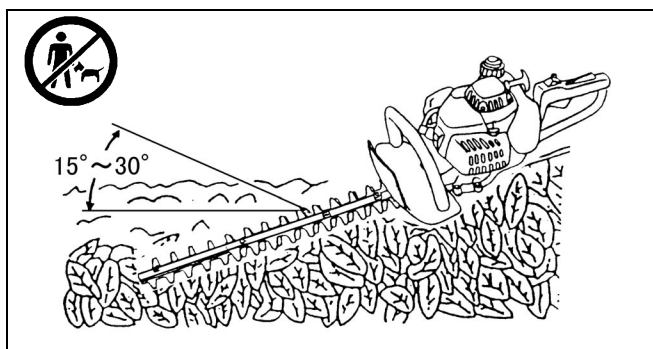
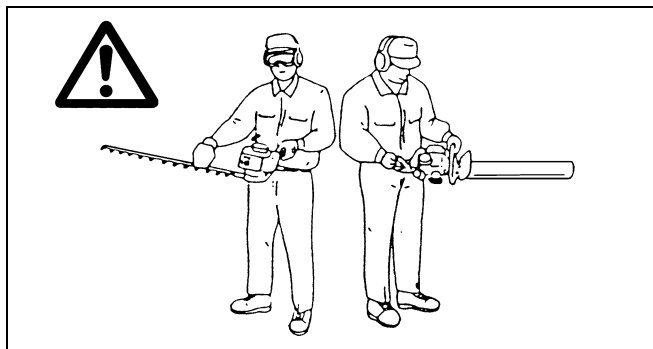
PARADA DE LA MÁQUINA

1. Deje completamente libre la palanca del acelerador.
2. Empuje el Interruptor de parada (interruptor de apagada/parada) hasta la posición "O", las revoluciones del motor estarán bajas y el motor se parará.



OPERACIÓN DE LA MÁQUINA

- Lea cuidadosamente y siga a las instrucciones de seguridad.
- Mantenga las manos lejos de cuchillas. Nunca agarre la cuchilla cortadora expuesta o borde cortador, cuando recoja y/o sostenga la herramienta.
- Nunca toque el dispositivo de corte cuando arranque el motor y durante el funcionamiento.
- Ponga en funcionamiento el cortasetos tal forma de evitar la inhalación de los gases de escape. Nunca arranque el motor en habitaciones cerradas (riesgo de que se envenene con el gas). El monóxido de carbono es un gas inodoro.
- Todas las instalaciones de protección suministradas con la máquina deberán utilizarse durante el funcionamiento.
- Nunca ponga el motor en marcha si el silenciador está defectuoso o no instalado.
- Utilice el cortasetos solamente donde haya buena luz y visibilidad. Asegúrese siempre de que sus pies estén en una posición segura.
- Nunca quede a pie en una escalera ni arranque el cortasetos. Mantenga ambos pies apoyados en el suelo.
- Nunca suba a árboles para cortar con el cortasetos.
- Nunca trabaje sobre superficies inestables.
- Quite arena, piedras, clavos, alambres, etc., del área de trabajo. Estos obstáculos extraños podrían dañar las cuchillas de corte.
- Antes de empezar a cortar, las cuchillas de corte deberán alcanzar la velocidad máxima.
- Tome el cortasetos solamente con sus dedos de ambas manos, firmemente.
- Tome el manillar delantero del modelo HT-2162 E con la mano derecha para la operación con seguridad.
- Utilice un manillar firme con el dedo pulgar y los otros rodeando los manillares.
- Cuando deje la mariposa de gases libre, tarda unos minutos antes de que se paren las cuchillas de corte.
- No deberá utilizar el cortasetos para cortar con el ralenti acelerado. La velocidad de cortar no puede ser ajustada con el control de la mariposa de gases en la posición del ralenti acelerado.
- Cuando corte un seto, la máquina deberá mantenerse para que las cuchillas formen un ángulo de 15-30° con la línea cortada.
- Si se utiliza el cortasetos con los movimientos circulares contra el borde del seto, se lanzarán las ramas directamente al suelo.
- Al cortar verticalmente, se utiliza el cortasetos con una pendulación circular, oscilando arriba y abajo cerca del seto.
- Preste atención especial cuando corte setos sobresalgan de una valla de alambre y haya crecido a través de la valla. Las cuchillas no deberán tener contacto con la valla, si lo hacen, las cuchillas podrían romperse.
- No utilice el cortasetos continuamente durante un largo tiempo. Es normal tener un descanso de 10 a 20 minutos después de cada 50 minutos del funcionamiento.
- Si las cuchillas de corte tocan piedras u otros objetos duros, pare inmediatamente el motor e inspeccione para ver si se han dañado las cuchillas de corte. Reemplace cuchillas estropeadas antes de comenzar de nuevo del trabajo.
- El motor deberá pararse inmediatamente en cualquier caso de problemas en él.
- Utilice el cortasetos de forma que haga tan poco ruido y produzca tan poca contaminación como sea posible. En particular, compruebe si el carburador esté bien ajustado y la relación de la mezcla de combustible y aceite.
- No intente quitar objetos atrapados en el cortasetos cuando las cuchillas estén en funcionamiento. Apoya la unidad en el suelo, párela, y quite los restos del material cortado.



INSTRUCCIONES DE MANTENIMIENTO

- Pare el motor y desconecte los capuchones de las bujías al reemplazar o afilar las herramientas de corte, y también al limpiar el cortador o el dispositivo de corte, o al realizar cualquier mantenimiento.
- Nunca enderece o suelde una cuchilla de corte dañada.
- Inspeccione las cuchillas de corte con el motor puesto en marcha en intervalos cortos y regulares por daños. (Detección de fisura muy fina mediante la prueba de ruido de golpeado). Asegúrese de que los dientes están afilados.
- Limpie el cortasetos en intervalos regulares e inspeccione que todos los tornillos y las tuercas están firmemente apretados.
- Nunca suministre ni almacene el cortasetos cerca de llamas para evitar incendios.
- Póngase siempre guantes de piel al manejar o afilar las cuchillas porque son agudas.



Afilado de las cuchillas

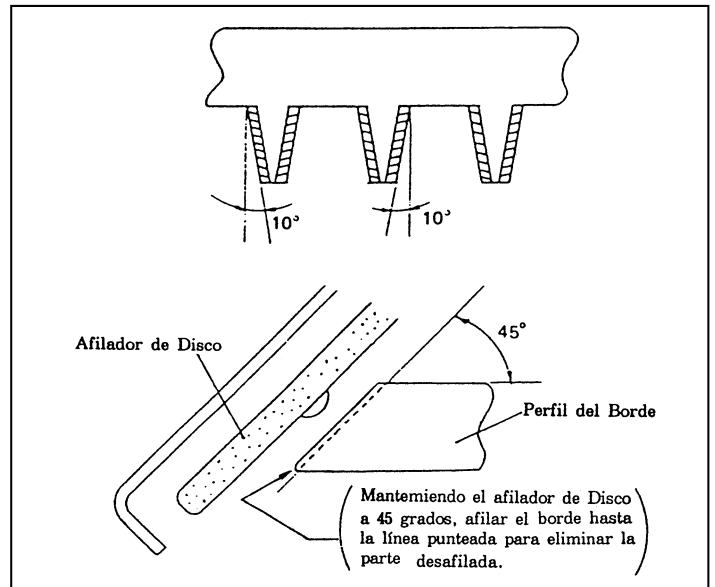
Si los bordes están redondos (desafilados) y no corta bien, afile solamente las porciones sombreadas. No afile las superficies de contacto (superficie de deslizamiento) del tope y el fondo de los bordes.

- Antes de afilar, asegúrese de que la cuchilla esté firme y segura, pare el motor y quite el tapón del capuchón de la bujía.
- Póngase guantes, gafas de protección, etc.
- Un borde afilado en exceso de una vez o muchas veces perderá su capa dura. Se desfilará y será inútil muy pronto.

Ajuste de las cuchillas

Las cuchillas se desgastarán por un uso prolongado. Cuando descubra que no se recorta tan bien como cuando las cuchillas eran nuevas, ajústelas de forma siguiente.

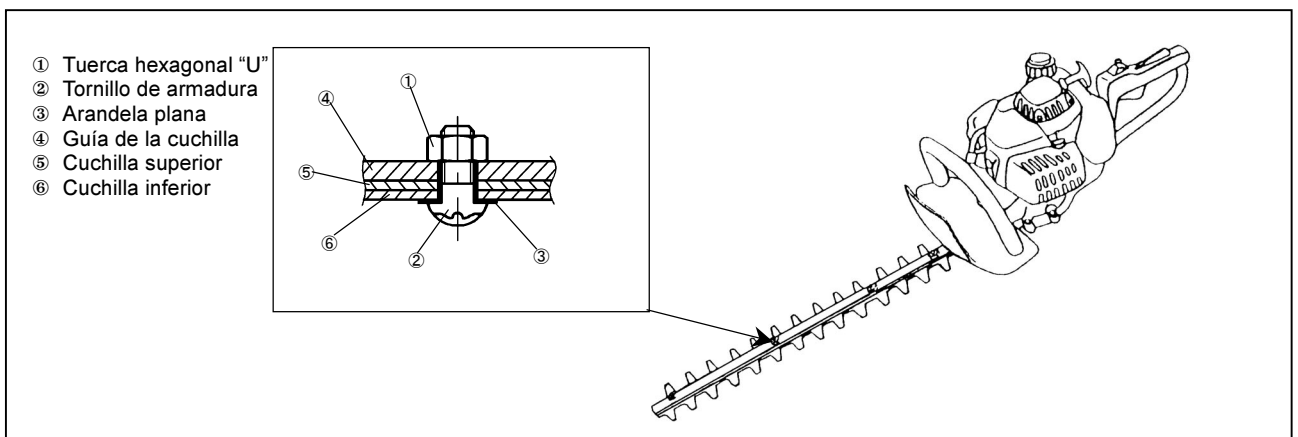
1. Afloje la tuerca ①.
2. Apriete el tornillo ② con el destornillador ligeramente hasta su tope, y luego destornillelo de un cuarto a media vuelta.
3. Apriete la tuerca ① bien, manteniendo el tornillo ② fijado con un destornillador.
4. Lubrique las cuchillas con aceite ligero después de los ajustes mencionados arriba.
5. Arranque el motor, y ponga en marcha y pare la mariposa de gases del motor durante un minuto.
6. Pare el motor y toque las cuchillas con su mano. Si se calientan solo lo bastante para que pueda mantener su mano sobre ellos, ha hecho un ajuste apropiado. Si se calientan tanto que no puede mantener su mano en contacto con ellos, afloje el tornillo ② un poco más y repita 5 para ver si están ajustados apropiadamente.



NOTE: Pare el motor sin falta antes de hacer el ajuste.

Las cuchillas tienen una ranura alrededor del tornillo ②. En caso de que encuentre polvo en el extremo de cualquier de las ranuras, límpielo.

NOTE: Para el tiempo de parada (EN774), nunca hace el ajuste de las cuchillas después de la operación.

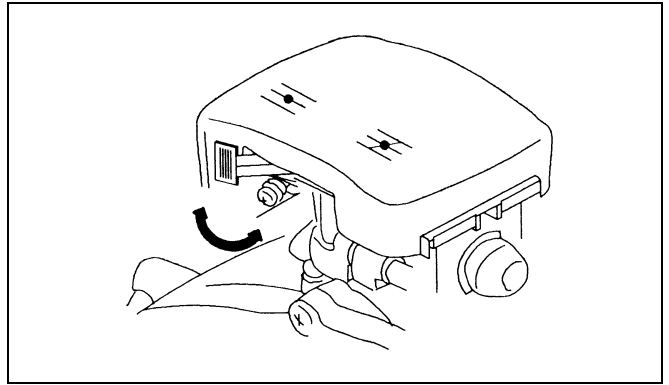




Comprobación y ajuste de la velocidad de ralentí

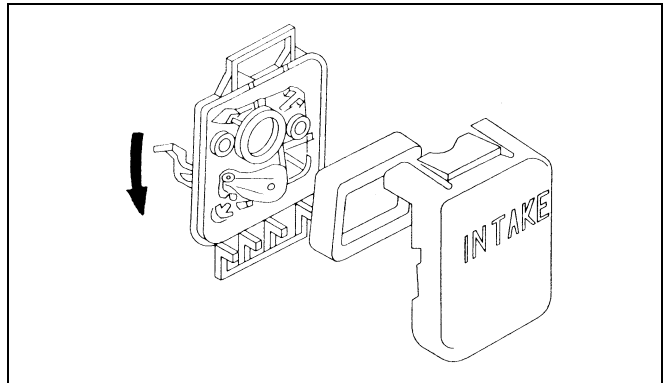
No deberá inspeccionar la cuchilla de corte cuando la palanca de control esté totalmente libre.

- La velocidad de ralentí deberá ser puesta a 3,000 rpm. Si es necesario, corrijalo mediante el tornillo de ralentí (la cuchilla de corte no deberá funcionar cuando el motor esté en ralentí).
 - En el sentido de las agujas del reloj: para aumentar rpm más.
 - En el sentido contrario de las agujas del reloj: para disminuir rpm más. Compruebe que hay separación suficiente entre la velocidad de ralentí y del embrague engranado para asegurarse de que la herramienta de corte está en un estándar mientras el motor está en ralentí. (Si es necesario, reduzca la velocidad de ralentí). Si la herramienta todavía continúa funcionando incluso bajo condiciones de ralentí, consulte el agente de servicio autorizado .
 - El embrague debe engranarse en 3.750 rpm al mínimo.
 - Compruebe el funcionamiento del Interruptor de parada, de la palanca de lock-off, de la palanca de control, y del botón de cierre.



Limpeza del filtro de aire - 8 horas diarias

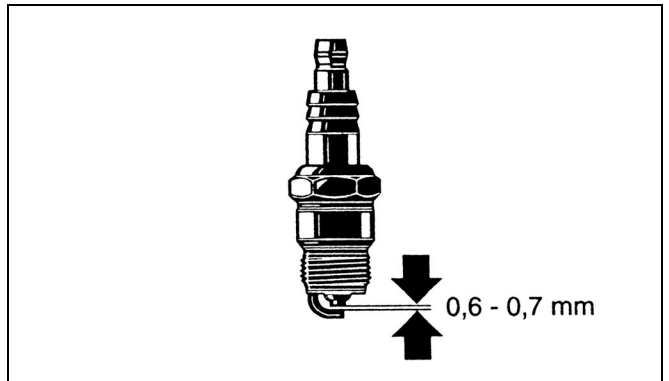
- Quite la tapa del filtro de aire.
- Empuje la palanca del cebador arriba (flecha), para prevenir que entren partículas de suciedad al carburador.
- Quite el elemento de espuma, lávelo con agua templada y deje que se seque completamente.
- Después de limpiar el filtro de aire, instale el elemento de espuma y la tapa del filtro de aire.



NOTA: Si ese adhiere mucho polvo o suciedad al filtro de aire, límpielo todos los días. Un filtro de aire obstruido puede hacer que resulte difícil o imposible arrancar el motor o que funcione a las velocidades de rotación apropiadas.

Comprobación de las bujías - 8 horas diarias

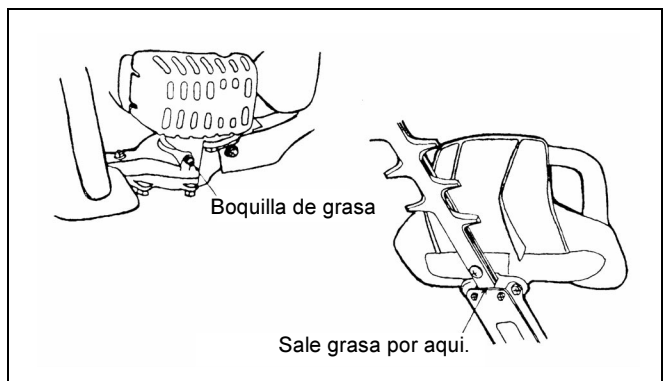
- Utilice solamente la llave universal suministrada para quitar o poner las bujías.
- La separación entre los dos electrodos de las bujías deberá ser de entre 0,6 y 0,7 mm. Si la separación es demasiado grande o pequeña, ajústela. Si las bujías están obstruidas con carbonilla o están sucias, límpielas minuciosamente o reemplácelas. Utilice un reemplazo exacto.



Suministración de grasa y lubricante

- Suministre grasa (Shell Alvania No.3 o equivalente) a través de la boquilla de grasa cada 15 horas aproximadamente de operación. La cantidad de grasa a suministrar cada vez será de 20cc aproximadamente. (Una vez efectuado el suministro de grasa arriba-indicado, sale grasa del punto extremo de la caja de engranaje (pie de la cuchilla de corte) en la operación inmediata después del suministro, lo cual se sirve de punto de referencia para el suministro.)

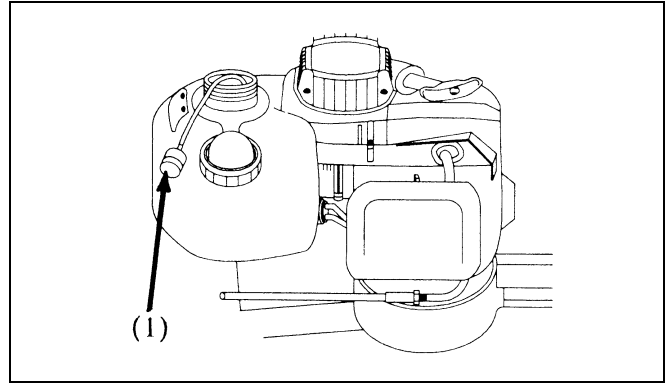
Nota: No deje de observar el intervalo de lubricación y la cantidad de grasa a suministrar. Incumplimiento de suministro de grasa a intervalo determinado o la cantidad reducida de grasa a suministrar podrá dañar la máquina por falta de grasa.



Cabeza de Succión del tanque de combustible

- Cada 50 horas (Mensuales)

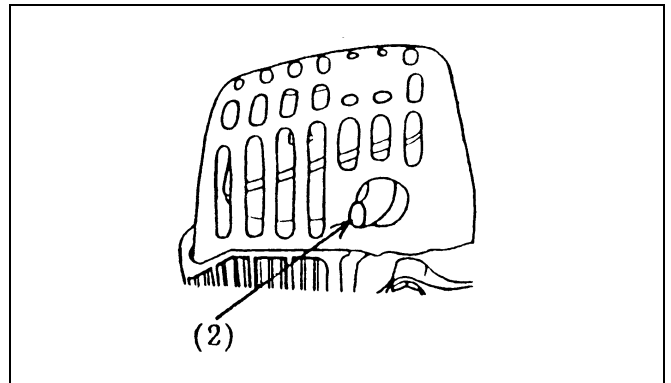
- El filtro de fieltro (1) de la cabeza de succión deberá ser utilizado para filtrar el combustible requerido por el carburador.
- Deberá realizar una inspección visual periódica del filtro de fieltro. Para este propósito, abra el tapón del tanque, utilice un gancho de alambre y tire la cabeza de succión por la boca del tanque. Deberá reemplazar los filtros comprobados endurecidos, contaminados u obstruidos.
- Si el combustible se suministra insuficientemente, se puede resultar que la velocidad máxima admisible se sobrepase. Por lo tanto es importante reemplazar el filtro de fieltro por lo menos trimestralmente para asegurarse del suministro correcto del combustible al carburador.



Limpieza del orificio de escape del silenciador

- Cada 50 horas (Mensuales)

- Compruebe el orificio de escape del silenciador (2) con regularidad.
- Si está obstruido por depósitos de carbón, rasque los depósitos cuidadosamente con una herramienta conveniente. No deje el carbón entrar en los orificios del motor.



Reemplace la línea de combustible: Cada 200 horas (anuales)

Mantenimiento general de l motor: Cada 200 horas (anuales)

Reemplace empaques y empaquetaduras con las nuevos: Cada vez que de reensamblaje del motor.

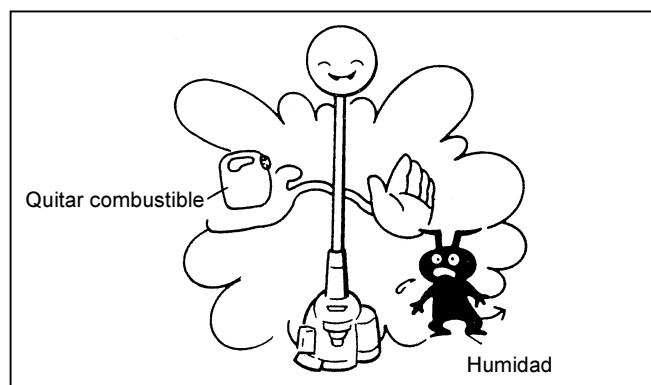
Cualquier trabajo de ajuste o mantenimiento que no está incluido ni descrito en este manual deberá ser llevado a cabo solo por las Agencias de Servicio Autorizadas.

Comprobación y mantenimiento diarios

Para asegurarse que la máquina tenga una larga vida y evitar estropear el equipo, deberán realizarse con regularidad los trabajos de mantenimiento siguientes.

- Antes de la puesta en funcionamiento, compruebe la máquina por si tiene tornillos flojos o le falten piezas. Preste atención particular al apretamiento de los tornillo de la cuchilla de corte.- 8 horas diarias
- Antes de la puesta en funcionamiento, compruebe siempre el conducto de aire de enfriamiento y las aletas del cilindro por si están obstruidos. Límpielos si es necesario.- 8 horas diarias
- Después de utilizar la máquina, realice el trabajo de mantenimiento diario siguiente:
 - Limpie el exterior del cortasetos e inspecciónelo por si está estropeado.
 - Limpie el filtro de aire. Cuando trabaje bajo condiciones en las que haya demasiado polvo, límpielo varias veces al día.
 - Compruebe las cuchillas a ver si se hayan estropeadas y asegúrese de que estén montadas firmemente.

ALMACENAJE (Para guardar la máquina)



- Cuando guarde la máquina durante mucho tiempo, vacíe el combustible del tanque de combustible y del carburador de la forma siguiente: Vacíe todo el combustible del tanque de combustible.
- Quite las bujías y ponga unas pocas gotas de aceite en el orificio de cada bujía. Luego tire suavemente el arrancador para confirmar que las películas de aceite cubran el interior del motor y apriete las bujías.
- Limpie la suciedad o el polvo y del exterior del motor, límpielo con un paño humedecido en aceite y mantenga la máquina en un lugar seco lo más posible.
- Respete las Regulaciones Federales y Locales para el manejo y almacenaje seguro de gasolina.

PROGRAMA DE MANTENIMIENTO

General	Conjunto del motor, Tornillos y tuercas	Inspección visual por si hay daños y para cerciorarse de que todo esté bien apretado Comprobación de la condición general y de la seguridad
Después de cada repostaje	Palanca de la mariposa de gases Llave de cierre de seguridad Interruptor de parada	Comprobación funcional Comprobación funcional Comprobación funcional
Diario	Filtro de aire Conducto de aire de enfriamiento Herramienta de corte Velocidad de ralentí	Debe limpiarse Debe limpiarse Comprobación por si hay daño y afilado Inspección (la herramienta de corte no debe moverse)
Cada 15 horas	Caja de engranaje	Suministro de grasa
Semanal	Bujía Silenciador	Inspección, reemplazo si es necesario Comprobar y si es necesario limpiar la abertura
Trimestral	Cabeza de succión Tanque de combustible	Debe reemplazarse Debe limpiarse
Al guardar la máquina	Tanque de combustible Carburador	Vaciado del tanque de combustible Utilizar hasta que se agote el combustible

LOCALIZACIÓN DE AVERÍAS

Avería	Sistema	Observación	Causas posibles
El motor no arranca o arranca con dificultad	Sistema de encendido	Hay chispa de encendido	Fallo en el suministro de combustible o en el sistema de compresión, defecto mecánico.
		No hay chispa de encendido	Se ha utilizado el interruptor de parada, caldeoado defectuoso o cortocircuito, la bujía o el conector tienen defectos, el módulo de encendido está averiado.
	Suministro de combustible	Tanque de combustible lleno	Posición incorrecta del cebador, carburador defectuoso, cabeza de succión (filtro de la tubería de combustible) sucia, tubería de combustible doblada o interrumpida.
	Compresión	El interior del motor	La junta inferior del cilindro tiene defectos, los retenedores del cigüeñal dañados, el cilindro o los anillos del pistón defectuosos
El exterior del motor		El retenedor impropio de la bujía	
Problemas de arranque en caliente	Avería mecánica	El arrancador no funciona	Muelle del arrancador roto, piezas rotas en el interior del motor
		Tanque lleno Hay chispa de encendido	Carburador contaminado, límpielo
El motor arranca pero se para inmediatamente	Suministro de combustible	Tanque lleno	Ajuste de ralentí incorrecto, cabeza de succión o carburador sucio.
			Tapón del tanque de combustible defectuoso, tubería de suministro de combustible interrumpida, cable o interruptor de parada defectuoso
Rendimiento insuficiente	Pueden quedar afectados simultáneamente varios sistemas	Motor al ralentí	Filtro de aire sucio, carburador sucio, silenciador obstruido, conducto de escape del cilindro obstruido



WARNING: The Engine Exhaust from this product contains chemicals known to the state of California to cause cancer, birth defects or other reproductive harm.



DOLMAR GmbH
Postfach 70 04 20
D-22004 Hamburg
Germany