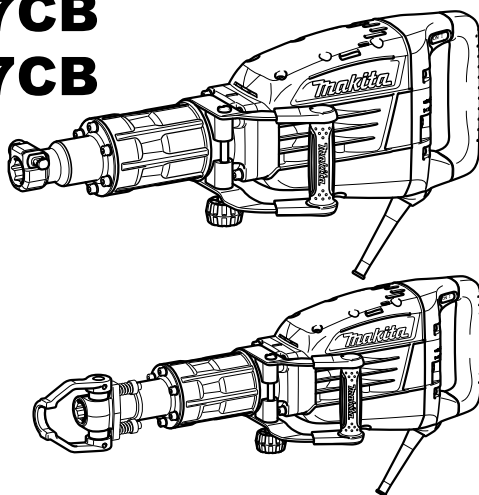
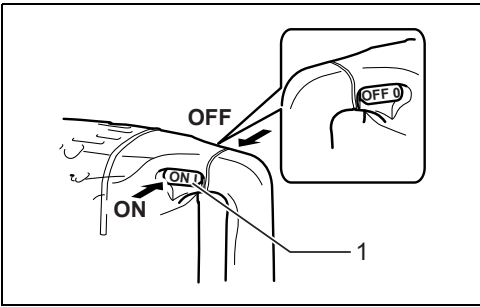




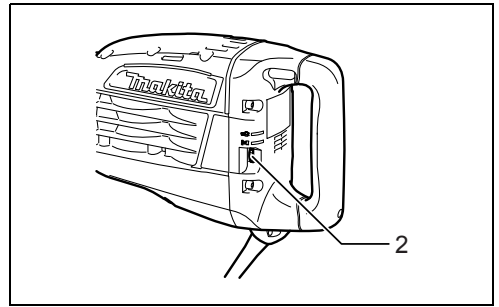
GB	Electric Breaker	Instruction manual
F	Marteau-piqueur	Manuel d'instructions
D	Stemmhammer	Betriebsanleitung
I	Demolitore elettrico	Istruzioni per l'uso
NL	Elektrisch breekhamer	Gebruiksaanwijzing
E	Demoledor eléctrico	Manual de instrucciones
P	Demolidor eléctrico	Manual de instruções
DK	Opbrydningshammer	Brugsanvisning
GR	Ηλεκτρικός θραύστης	Οδηγίες χρήσης

HM1317C
HM1307C
HM1317CB
HM1307CB

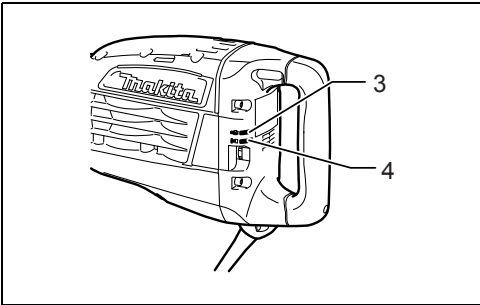




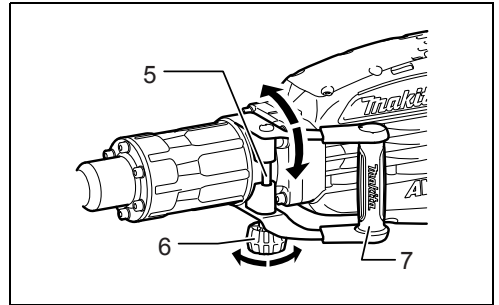
1



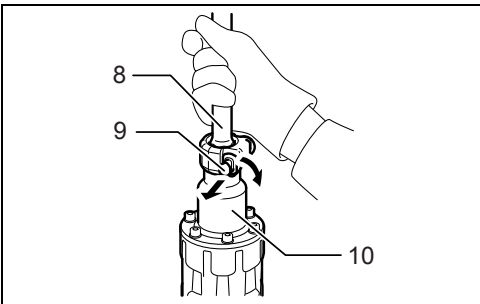
2



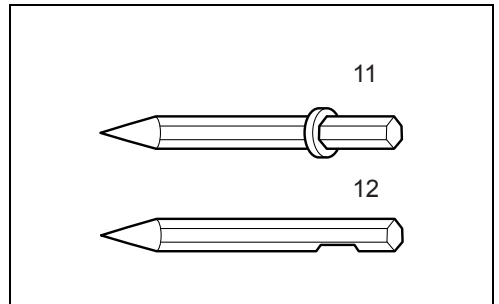
3



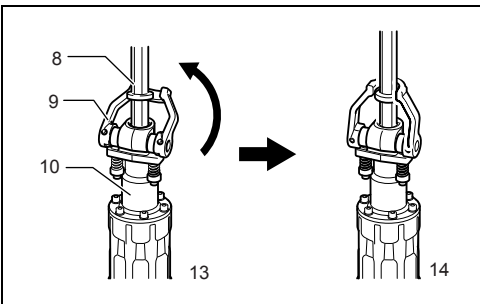
4



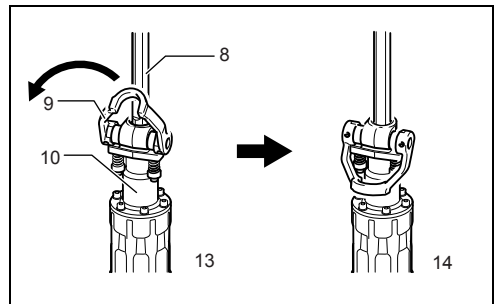
5



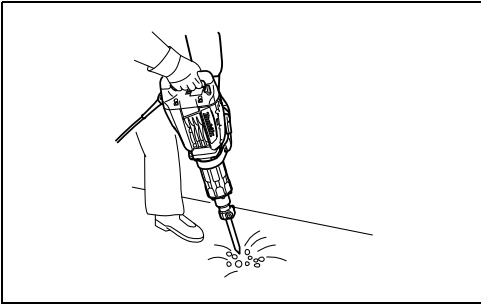
6



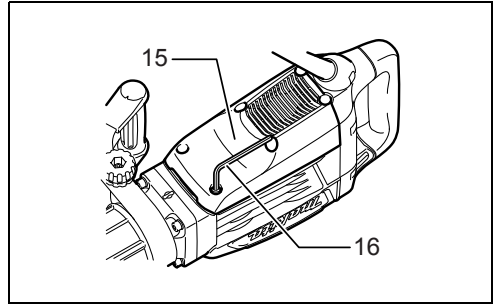
7



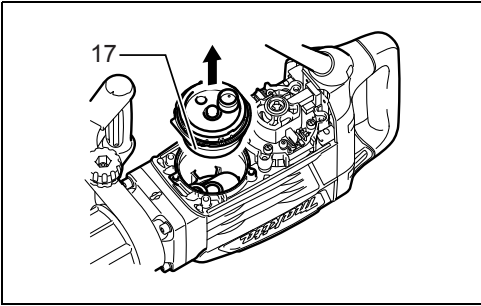
8



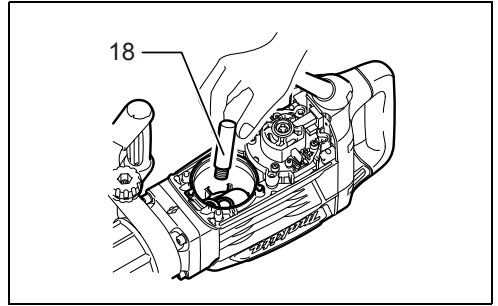
9



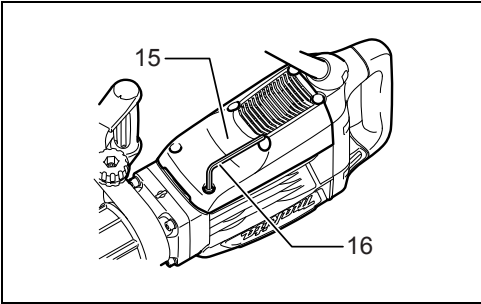
10



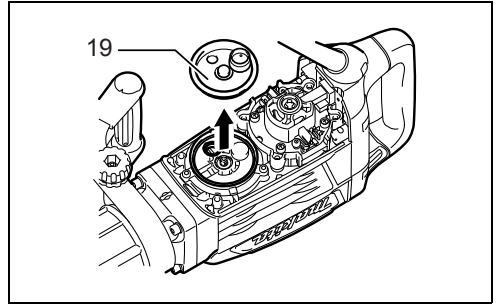
11



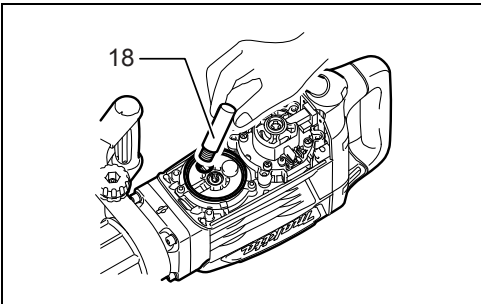
12



13



14



15

Explanation of general view

- | | | |
|------------------------------------|------------------------------|---------------------|
| 1. Switch lever | 8. Bit | 15. Rear cover |
| 2. Adjusting dial | 9. Tool retainer | 16. Hex wrench |
| 3. Power-ON indicator lamp (green) | 10. Tool holder | 17. Crank cap |
| 4. Service indicator lamp (red) | 11. Bit with collar | 18. Hammer grease |
| 5. Set bolt | 12. Bit without collar | 19. Crank cap cover |
| 6. Nut | 13. When the bit is inserted | |
| 7. Side handle | 14. When the bit is retained | |

SPECIFICATIONS

Model	HM1317C	HM1307C	HM1317CB	HM1307CB
Blows per minute	730 - 1,450			
Overall length	715 mm		824 mm	
Net weight	17.0 kg	15.3 kg	19.0 kg	17.3 kg
Safety class	II/II			

- Due to our continuing programme of research and development, the specifications herein are subject to change without notice.
- Specifications may differ from country to country.
- Weight according to EPTA-Procedure 01/2003

Intended use ENE045-1
 The tool is intended for chiselling work in concrete, brick, stone and asphalt as well as for driving and compacting with appropriate accessories.

Power supply ENF002-1
 The tool should be connected only to a power supply of the same voltage as indicated on the nameplate, and can only be operated on single-phase AC supply. They are double-insulated in accordance with European Standard and can, therefore, also be used from sockets without earth wire.

HAMMER SAFETY WARNINGS GEB004-6

1. **Wear ear protectors.** Exposure to noise can cause hearing loss.
2. **Use auxiliary handle(s), if supplied with the tool.** Loss of control can cause personal injury.
3. **Hold power tool by insulated gripping surfaces, when performing an operation where the cutting accessory may contact hidden wiring or its own cord.** Cutting accessory contacting a "live" wire may make exposed metal parts of the power tool "live" and could give the operator an electric shock.
4. **Wear a hard hat (safety helmet), safety glasses and/or face shield. Ordinary eye or sun glasses are NOT safety glasses. It is also highly recommended that you wear a dust mask and thickly padded gloves.**
5. **Be sure the bit is secured in place before operation.**
6. **Under normal operation, the tool is designed to produce vibration. The screws can come loose easily, causing a breakdown or accident. Check tightness of screws carefully before operation.**
7. **In cold weather or when the tool has not been used for a long time, let the tool warm up for a**

while by operating it under no load. This will loosen up the lubrication. Without proper warm-up, hammering operation is difficult.

8. **Always be sure you have a firm footing. Be sure no one is below when using the tool in high locations.**
9. **Hold the tool firmly with both hands.**
10. **Keep hands away from moving parts.**
11. **Do not leave the tool running. Operate the tool only when hand-held.**
12. **Do not point the tool at any one in the area when operating. The bit could fly out and injure someone seriously.**
13. **Do not touch the bit or parts close to the bit immediately after operation; they may be extremely hot and could burn your skin.**
14. **Do not operate the tool at no-load unnecessarily.**
15. **Some material contains chemicals which may be toxic. Take caution to prevent dust inhalation and skin contact. Follow material supplier safety data.**

SAVE THESE INSTRUCTIONS.

WARNING:
DO NOT let comfort or familiarity with product (gained from repeated use) replace strict adherence to safety rules for the subject product.
MISUSE or failure to follow the safety rules stated in this instruction manual may cause serious personal injury.

FUNCTIONAL DESCRIPTION

- CAUTION:**
- Always be sure that the tool is switched off and unplugged before adjusting or checking function on the tool.

Switch action (Fig. 1)

CAUTION:

- Before plugging in the tool, always check to see that the tool is switched off.
- Switch can be locked in "ON" position for ease of operator comfort during extended use. Apply caution when locking tool in "ON" position and maintain firm grasp on tool.

To start the tool, push the switch lever "ON (I)" on the left side of the tool. To stop the tool, push the switch lever "OFF (O)" on the right side of the tool.

Speed change (Fig. 2)

The blows per minute can be adjusted just by turning the adjusting dial. This can be done even while the tool is running. The dial is marked 1 (lowest speed) to 5 (full speed).

Refer to the table below for the relationship between the number settings on the adjusting dial and the blows per minute.

Number on adjusting dial	Blows per minute
5	1,450
4	1,350
3	1,150
2	800
1	730

For model HM1317C, HM1317CB only

NOTE:

- Blows at no load per minute becomes smaller than those on load in order to reduce vibration under no load, but this does not show trouble. Once operation starts with a bit against concrete, blows per minute increase and get to the numbers as shown in the table. When temperature is low and there is less fluidity in grease, the tool may not have this function even with the motor rotating.

CAUTION:

- The adjusting dial can be turned only as far as 5 and back to 1. Do not force it past 5 or 1, or the speed adjusting function may no longer work.

Indicator lamp (Fig. 3)

The green power-ON indicator lamp lights up when the tool is plugged. If the indicator lamp does not light up, the mains cord or the controller may be malfunction. The indicator lamp is lit but the tool does not start even if the tool is switched on, the carbon brushes may be worn out, or the controller, the motor or the ON/OFF switch may be malfunction.

The red service indicator lamp flickers up when the carbon brushes are nearly worn out to indicate that the tool needs servicing. After approx. 8 hours of use, the motor will automatically be shut off.

ASSEMBLY

CAUTION:

- Always be sure that the tool is switched off and unplugged before carrying out any work on the tool.

Side handle (auxiliary handle) (Fig. 4)

The side handle can be swung 360° on the vertical and secured at any desired position. Just loosen the clamp nut to swing the side handle to a desired position. Then tighten the clamp nut securely.

Installing or removing the bit

For Model HM1307C, HM1317C only (Fig. 5)

With the notched portion on the shank of the bit facing toward the tool retainer, insert the bit into the tool holder as far as it will go. Then pull out and turn the tool retainer 180° to secure the bit. After installing, always make sure that the bit is securely held in place by trying to pull it out.

For Model HM1307CB, HM1317CB only (Fig. 6)

This tool accepts bits either with or without a collar on its shank.

(1) For bits with a collar (Fig. 7)

To install the bit, follow either procedure (1) or (2) described below.

Pivot the tool retainer back and slightly downward.

Insert the bit into the tool holder as far as it will go. To securely retain the bit, return the tool retainer to its original position.

CAUTION:

- Always assure that the bit is securely retained by attempting to pull the bit out of the tool holder after completing the above procedure.

(2) For bits without a collar (Fig. 8)

Pivot the tool retainer forward and slightly downward.

With the notched portion of the bit facing the tool retainer shaft, insert the bit into the tool holder as far as it will go. Then pivot the tool retainer further downward toward the barrel to securely retain the bit.

CAUTION:

- Always assure that the bit is securely retained by attempting to pull the bit out of the tool holder after completing the above procedure.
- The bit without a collar cannot be retained by the method shown in Fig. 7.

To remove the bit, follow the installation procedure in reverse.

OPERATION

Chipping/Scaling/Demolition (Fig. 9)

Always use the side grip (auxiliary handle) and firmly hold the tool by both side grip and switch handle during operations. Turn the tool on and apply slight pressure on the tool so that the tool will not bounce around, uncontrolled. Pressing very hard on the tool will not increase the efficiency.

MAINTENANCE

CAUTION:

- Always be sure that the tool is switched off and unplugged before attempting to perform inspection or maintenance.

Lubrication

CAUTION:

- This servicing should be performed by Makita Authorized or Factory Service Centers only.
- This tool requires no hourly or daily lubrication because it has a grease-packed lubrication system. However, it is recommended to periodically replace the grease for longer tool life.
- First, switch off and unplug the tool.

For model HM1307C, HM1307CB only (Fig. 10)

Remove the six screws using a hex wrench and remove the rear cover. (Fig. 11)

Pull out the crank cap in the direction of arrow and remove it. (Fig. 12)

Then replenish with fresh grease (60 g). Use only Makita genuine hammer grease (optional accessory). Filling with more than the specified amount of grease (approx. 60 g; 2 oz) can cause faulty hammering action or tool failure. Fill only with the specified amount of grease.

To reassemble the tool, follow the disassembling procedure in reverse.

For model HM1317C, HM1317CB only (Fig. 13)

Remove the six screws using a hex wrench and remove the rear cover. (Fig. 14)

Pull out the crank cap cover in the direction of arrow and remove it. (Fig. 15)

Then replenish with fresh grease (60 g). Use only Makita genuine hammer grease (optional accessory). Filling with more than the specified amount of grease (approx. 60 g; 2 oz) can cause faulty hammering action or tool failure. Fill only with the specified amount of grease.

To reassemble the tool, follow the disassembling procedure in reverse.

CAUTION:

- Be careful not to damage the brush holder unit and carbon brushes especially when installing the rear cover.
- Do not reuse the six bolts but use new ones in the reassembling since these bolts are applied with adhesive.

To maintain product SAFETY and RELIABILITY, repairs, any other maintenance or adjustment should be performed by Makita Authorized Service Centers, always using Makita replacement parts.

ACCESSORIES

CAUTION:

- These accessories or attachments are recommended for use with your Makita tool specified in this manual. The use of any other accessories or attachments might present a risk of injury to persons. Only use accessory or attachment for its stated purpose.

If you need any assistance for more details regarding these accessories, ask your local Makita Service Center

- Bull point
- Cold chisel
- Scaling chisel
- Clay spade
- Rammer
- Hammer grease
- Safety goggles

- Plastic carrying case

For Model HM1307C

For European countries only

Noise ENG102-2

The typical A-weighted noise level determined according to EN60745:

Sound pressure level (L_{pA}): 81 dB (A)

Sound power level (L_{WA}): 101 dB (A)

Uncertainty (K): 3 dB (A)

Wear ear protection.

Vibration ENG216-2

The vibration total value (tri-axial vector sum) determined according to EN60745:

Work mode: chiseling function with side handle

Vibration emission ($a_{h,CHeq}$): 12.5 m/s²

Uncertainty (K): 2.0 m/s²

For Model HM1307CB

For European countries only

Noise ENG102-2

The typical A-weighted noise level determined according to EN60745:

Sound pressure level (L_{pA}): 81 dB (A)

Sound power level (L_{WA}): 101 dB (A)

Uncertainty (K): 3 dB (A)

Wear ear protection.

Vibration ENG216-2

The vibration total value (tri-axial vector sum) determined according to EN60745:

Work mode: chiseling function with side handle

Vibration emission ($a_{h,CHeq}$): 12.0 m/s²

Uncertainty (K): 1.5 m/s²

For Model HM1317C

For European countries only

Noise ENG102-2

The typical A-weighted noise level determined according to EN60745:

Sound pressure level (L_{pA}): 81 dB (A)

Sound power level (L_{WA}): 101 dB (A)

Uncertainty (K): 3 dB (A)

Wear ear protection.

Vibration ENG216-2

The vibration total value (tri-axial vector sum) determined according to EN60745:

Work mode: chiseling function with side handle

Vibration emission ($a_{h,CHeq}$): 8.5 m/s²

Uncertainty (K): 1.5 m/s²

For Model HM1317CB

For European countries only

Noise ENG102-2

The typical A-weighted noise level determined according to EN60745:

Sound pressure level (L_{pA}): 81 dB (A)

Sound power level (L_{WA}): 101 dB (A)

Uncertainty (K): 3 dB (A)

Wear ear protection.

Vibration ENG216-2

The vibration total value (tri-axial vector sum) determined according to EN60745:

Work mode: chiseling function with side handle

Vibration emission ($a_{h,CHeq}$): 7.0 m/s²

Uncertainty (K): 1.5 m/s²

EC Declaration of Conformity

ENH213-1

We Makita Corporation as the responsible manufacturer declare that the following Makita machine(s):

Designation of Machine:

Electric Breaker

Model No. Type

HM1307C, HM1307CB, HM1317C, HM1317CB

are of series production and

Conforms to the following European Directives:

2000/14/EC, 98/37/EC until 28th December 2009 and

then with 2006/42/EC from 29th December 2009

And are manufactured in accordance with the following standards or standardised documents:

EN60745

The technical documentation is kept by our authorised representative in Europe who is:

Makita International Europe Ltd.,

Michigan, Drive, Tongwell,

Milton Keynes, MK15 8JD, England

The conformity assessment procedure required by Directive 2000/14/EC was in Accordance with annex VIII.

Notified Body:

TÜV Rheinland Product Safety GmbH, identification no. 0197

Model HM1307C

Measured Sound Power Level: 101 dB

Guaranteed Sound Power Level: 103 dB

Model HM1307CB

Measured Sound Power Level: 101 dB

Guaranteed Sound Power Level: 104 dB

Model HM1317C

Measured Sound Power Level: 101 dB

Guaranteed Sound Power Level: 103 dB

Model HM1317CB

Measured Sound Power Level: 101 dB

Guaranteed Sound Power Level: 104 dB

8th April 2009



Tomoyasu Kato

Director

Makita Corporation

3-11-8, Sumiyoshi-cho,

Anjo, Aichi, JAPAN

Descriptif

- | | | |
|--|--|---------------------------------------|
| 1. Levier de l'interrupteur | 8. Embout | 15. Couvercle arrière |
| 2. Cadran de réglage | 9. Dispositif de retenue de l'outil | 16. Clé hexagonale |
| 3. Lampe témoin d'alimentation ACTIVE (vert) | 10. Porte-outil | 17. Bouchon de manivelle |
| 4. Lampe témoin de service (rouge) | 11. Foret avec embase | 18. Graisse à marteau |
| 5. Goujon | 12. Foret sans embase | 19. Couvercle du bouchon de manivelle |
| 6. Écrou | 13. Lorsque le foret est inséré | |
| 7. Manche latéral | 14. Lorsque le foret est retenu en place | |

SPÉCIFICATIONS

Modèle	HM1317C	HM1307C	HM1317CB	HM1307CB
Frappes par minute	730 - 1 450			
Longueur totale	715 mm		824 mm	
Poids net	17,0 kg	15,3 kg	19,0 kg	17,3 kg
Niveau de sécurité	II/II			

- Étant donné l'évolution constante de notre programme de recherche et de développement, les spécifications contenues dans ce manuel sont sujettes à des modifications sans préavis.
- Les spécifications peuvent varier suivant les pays.
- Poids conforme à la procédure EPTA 01/2003

Utilisations

ENE045-1

L'outil est conçu pour les travaux de défoncement dans le béton, la brique, la pierre et l'asphalte, ainsi que pour le fonçage et le tassement à l'aide des accessoires correspondants.

Alimentation

ENF002-1

L'outil ne doit être raccordé qu'à une alimentation de la même tension que celle qui figure sur la plaque signalétique, et il ne peut fonctionner que sur un courant secteur monophasé. Réalisé avec une double isolation, il est conforme à la réglementation européenne et peut de ce fait être alimenté sans mise à la terre.

AVERTISSEMENTS DE SÉCURITÉ RELATIFS AU MARTEAU

GEB004-6

- Portez des protections d'oreilles.** L'exposition au bruit peut entraîner la surdité.
- Le cas échéant, utilisez la/les poignée(s) auxiliaire(s) de l'outil.** La perte de maîtrise comporte un risque de blessures.
- Tenez l'outil à l'aide des surfaces de prise isolées lorsque vous exécutez une opération susceptible de mettre en contact l'accessoire de coupe et les fils cachés ou le propre cordon de l'outil.** Il est possible que le contact avec un fil sous tension mette les parties métalliques exposées de l'outil sous tension, risquant ainsi de provoquer un choc électrique chez l'utilisateur.
- Portez un casque de protection (casque de sécurité), des lunettes de sécurité et/ou un écran facial. Les lunettes ordinaires et les lunettes de soleil ne sont PAS des lunettes de sécurité. Nous vous recommandons également de porter un masque anti-poussière et des gants très épais.**
- Assurez-vous que le foret est bien serré avant d'utiliser l'outil.**
- Même en conditions normales d'utilisation, l'outil produit des vibrations. Les vis peuvent ainsi se relâcher facilement, ce qui risque d'entraîner une rupture de pièce ou un accident. Avant l'utilisation, vérifiez avec soin que les vis sont bien serrées.**
- À basse température ou lorsque l'outil est resté inutilisé pendant une période prolongée, laissez-le réchauffer un instant en le faisant fonctionner à vide. Cela permettra au lubrifiant de réchauffer. Le martèlement sera difficile si l'outil n'est pas bien réchauffé.**
- Veillez à toujours avoir une bonne position d'équilibre. Assurez-vous que personne ne se trouve sous l'outil lorsque vous l'utilisez en position élevée.**
- Tenez l'outil fermement à deux mains.**
- Gardez les mains éloignées des pièces en mouvement.**
- N'abandonnez pas l'outil alors qu'il tourne. Ne faites fonctionner l'outil qu'une fois que vous l'avez bien en main.**
- Pendant l'utilisation de l'outil, ne le pointez vers personne dans la zone de travail. Vous risqueriez de blesser gravement quelqu'un en cas d'éjection du foret.**
- Ne touchez ni le foret ni les pièces adjacentes immédiatement après l'utilisation de l'outil. Ils risquent d'être extrêmement chauds et de vous brûler gravement la peau.**
- Né faites pas fonctionner inutilement l'outil à vide.**
- Certains matériaux contiennent des produits chimiques qui peuvent être toxiques. Veillez à éviter toute inhalation de poussière et tout contact**

avec la peau. Respectez les instructions de sécurité du fournisseur du matériel.

CONSERVEZ CES INSTRUCTIONS.

AVERTISSEMENT :

NE vous laissez PAS tromper (au fil d'une utilisation répétée) par un sentiment d'aisance et de familiarité avec le produit, en négligeant le respect rigoureux des consignes de sécurité qui accompagnent l'outil. Une UTILISATION INCORRECTE de l'outil ou un non-respect des consignes de sécurité indiquées dans ce manuel d'instructions peuvent causer des blessures graves.

DESCRIPTION DU FONCTIONNEMENT

ATTENTION :

- Assurez-vous toujours que l'outil est éteint et débranché avant de le régler ou de vérifier son fonctionnement.

Interrupteur (Fig. 1)

ATTENTION :

- Avant de brancher l'appareil, vérifiez toujours qu'il est éteint.
- L'interrupteur peut être verrouillé en position de « MARCHE » pour le confort de l'opérateur pendant un usage prolongé. Soyez vigilant lorsque vous verrouillez l'outil en position de « MARCHE » et gardez-le bien en main.

Pour démarrer l'outil, basculez le levier de l'interrupteur sur « MARCHE » (I) sur le côté gauche de l'outil. Pour arrêter l'outil, basculez le levier de l'interrupteur sur « ARRÊT » (O) sur le côté droit de l'outil.

Changement de vitesse (Fig. 2)

Il est possible d'ajuster le nombre de frappes par minute en tournant simplement le cadran de réglage. Ce réglage est possible même lorsque l'outil est en fonctionnement. Le cadran comporte les marquages 1 (vitesse la plus lente) à 5 (vitesse pleine).

Référez-vous au tableau ci-dessous pour connaître la relation entre les paramètres des numéros sur le cadran de réglage et les frappes par minute.

Numéro sur le cadran de réglage	Frappes par minute
5	1 450
4	1 350
3	1 150
2	800
1	730

Pour les modèles HM1317C et HM1317CB uniquement

REMARQUE :

- Les frappes par minute à vide deviennent moins importantes que celles en charge afin de réduire les vibrations à vide mais cela ne pose pas de problème. Lorsque vous démarrez l'outil avec un foret contre du

béton, les frappes par minute augmentent jusqu'à atteindre le nombre indiqué dans le tableau. Lorsque la température est basse et que la graisse est moins fluide, l'outil peut ne pas disposer de cette fonction même si le moteur tourne.

ATTENTION :

- Vous pouvez tourner le cadran de réglage de la vitesse uniquement jusqu'aux positions 5 et 1. Ne le forcez pas au-delà des positions 5 ou 1, au risque de provoquer un dysfonctionnement du réglage de la vitesse.

Voyant (Fig. 3)

Le voyant vert de mise sous tension s'allume lorsque l'outil est branché. Si le voyant ne s'allume pas, il se peut que le cordon d'alimentation ou le contrôleur soit défectueux. Si le voyant est allumé tandis que l'outil ne démarre pas même si vous activez la gâchette, il se peut que les charbons soient usés ou que le contrôleur, le moteur ou l'interrupteur MARCHE/ARRÊT soit défectueux.

Le voyant rouge de service clignote quand les charbons sont presque totalement usés pour indiquer que l'outil a besoin d'une opération d'entretien. Au bout d'environ 8 heures d'utilisation, le moteur s'éteindra automatiquement.

ASSEMBLAGE

ATTENTION :

- Avant d'effectuer toute intervention sur l'outil, assurez-vous toujours qu'il est éteint et débranché.

Manche latéral (manche auxiliaire) (Fig. 4)

Il est possible de faire pivoter le manche latéral de 360° à la verticale et de le sécuriser dans la position souhaitée. Il vous suffit de desserrer l'écrou de serrage de collier pour faire pivoter le manche latéral dans la position souhaitée. Serrez ensuite fermement l'écrou de serrage de collier.

Installation ou retrait du foret

Pour les modèles HM1307C et HM1317C uniquement (Fig. 5)

Après avoir positionné la partie rainurée sur la queue du foret vers le dispositif de retenue, insérez le foret à fond dans le porte-outil. Ensuite, extrayez le porte-outils et tournez-le à 180° pour fixer le foret en place. Après l'installation, tirez toujours sur le foret pour vous assurer qu'il demeure fermement en place.

Pour les modèles HM1307CB et HM1317CB uniquement (Fig. 6)

Cet outil peut être utilisé avec les forets avec ou sans embase sur la queue.

(1) Pour les forets avec embase (Fig. 7)

Pour installer le foret, suivez la procédure (1) ou (2) décrite ci-dessous.

Faites pivoter le dispositif de retenue vers l'arrière et légèrement vers le bas. Insérez le foret à fond dans le porte-outil. Pour que le foret soit retenu solidement, remplacez le dispositif de retenue en position initiale.

ATTENTION :

- Assurez-vous toujours que le foret est retenu solidement, en essayant de le retirer du porte-outil après avoir terminé la procédure ci-dessus.

(2) Pour les forets sans embase (Fig. 8)

Faites pivoter le dispositif de retenue vers l'avant et légèrement vers le bas. La partie rainurée du foret faisant face à l'arbre du dispositif de retenue, insérez le foret à fond dans le porte-outil. Faites ensuite pivoter le dispositif de retenue pour qu'il descende davantage vers le barillet afin que le foret soit retenu solidement.

ATTENTION :

- Assurez-vous toujours que le foret est retenu solidement, en essayant de le retirer du porte-outil après avoir terminé la procédure ci-dessus.
- Un foret sans embase ne peut pas être retenu selon la méthode indiquée à la Fig. 7.

Pour retirer le foret, suivez la procédure d'installation en sens inverse.

FONCTIONNEMENT

Burinage/Écaillage/Démolition (Fig. 9)

Utilisez toujours la poignée latérale (manche auxiliaire), tenez fermement l'outil par les deux poignées latérales et changez de poignée en cours d'utilisation. Mettez l'outil sous tension et appliquez dessus une légère pression de façon à en garder la maîtrise et éviter qu'il ne saute d'un côté et de l'autre. L'application d'une très grande pression sur l'outil n'augmentera pas l'efficacité de l'opération.

ENTRETIEN

ATTENTION :

- Assurez-vous toujours que l'outil est éteint et débranché avant d'effectuer tout travail d'inspection ou de maintenance.

Lubrification

ATTENTION :

- Seuls des centres de service agréés par Makita ou d'usine sont habilités à effectuer les réparations. Grâce à son système de lubrification à la graisse, il n'est pas nécessaire de graisser cet outil après quelques heures d'utilisation ou chaque jour. Cependant, il est recommandé de remplacer régulièrement la graisse pour prolonger la durée de vie de l'outil. D'abord, mettez l'outil hors tension et débranchez-le.

Pour les modèles HM1307C et HM1307CB uniquement (Fig. 10)

Retirez les six vis à l'aide d'une clé hexagonale et retirez le couvercle arrière. (Fig. 11)

Faites pivoter le bouchon de manivelle dans le sens de la flèche puis retirez-le. (Fig. 12)

Ensuite, remplissez avec de la graisse fraîche (60 g). Utilisez uniquement la graisse à marteau Makita (accessoire en option). Si vous versez davantage de graisse que la quantité spécifiée (environ 60 g), le mouvement de martelage risque d'être faussé ou l'outil risque de ne pas bien fonctionner. Ne versez que la quantité de graisse spécifiée.

Pour remonter l'outil, suivez la procédure de démontage en sens inverse.

Pour les modèles HM1317C et HM1317CB uniquement (Fig. 13)

Retirez les six vis à l'aide d'une clé hexagonale et retirez le couvercle arrière. (Fig. 14)

Faites pivoter le couvercle du bouchon de manivelle dans le sens de la flèche puis retirez-le. (Fig. 15)

Ensuite, remplissez avec de la graisse fraîche (60 g).

Utilisez uniquement la graisse à marteau Makita (accessoire en option). Si vous versez davantage de graisse que la quantité spécifiée (environ 60 g), le mouvement de martelage risque d'être faussé ou l'outil risque de ne pas bien fonctionner. Ne versez que la quantité de graisse spécifiée.

Pour remonter l'outil, suivez la procédure de démontage en sens inverse.

ATTENTION :

- Veillez à ne pas endommager l'unité de porte-charbon ni les charbons, notamment lorsque vous installez le couvercle arrière.
- Ne réutilisez pas les six boulons, utilisez-en de nouveaux lors du réassemblage car les boulons s'appliquent avec de l'adhésif.

Pour assurer la SÉCURITÉ et la FIABILITÉ du produit, toute réparation ou travail d'entretien ou de réglage doivent être effectués dans un Centre de service après-vente Makita agréé, avec des pièces de rechange Makita.

ACCESSOIRES

ATTENTION :

- Ces accessoires ou pièces complémentaires sont recommandés pour l'utilisation avec l'outil Makita spécifié dans ce manuel. L'utilisation de tout autre accessoire ou pièce complémentaire peut comporter un risque de blessure. Utilisez uniquement l'accessoire ou la pièce complémentaire dans le but spécifié.

Pour obtenir plus de détails sur ces accessoires, contactez votre Centre de service local Makita.

- Pic
- Ciseau à froid
- Ciseau à écailler
- Marteau bêche
- Dameuse
- Graisse à marteau
- Lunettes de sécurité
- Étui en plastique

Pour le modèle HM1307C
Pour l'Europe uniquement

Bruit ENG102-2
Les niveaux de bruit pondéré A typiques ont été mesurés selon la norme EN60745 :

Niveau de pression sonore (L_{pA}) : 81 dB (A)
Niveau de puissance sonore (L_{WA}) : 101 dB (A)
Incertitude (K) : 3 dB (A)

Portez des protections auditives.

Vibrations ENG216-2

La valeur totale de vibration (somme du vecteur triaxial) a été déterminée selon la norme EN60745 :

Mode de fonctionnement : fonction de ciselure avec le manche latéral
Émission des vibrations ($a_{h,CHeq}$) : 12,5 m/s²
Incertitude (K) : 2,0 m/s²

Pour le modèle HM1307CB
Pour l'Europe uniquement

Bruit ENG102-2
Les niveaux de bruit pondéré A typiques ont été mesurés selon la norme EN60745 :

Niveau de pression sonore (L_{pA}) : 81 dB (A)
Niveau de puissance sonore (L_{WA}) : 101 dB (A)
Incertitude (K) : 3 dB (A)

Portez des protections auditives.

Vibrations ENG216-2

La valeur totale de vibration (somme du vecteur triaxial) a été déterminée selon la norme EN60745 :

Mode de fonctionnement : fonction de ciselure avec le manche latéral
Émission des vibrations ($a_{h,CHeq}$) : 12,0 m/s²
Incertitude (K) : 1,5 m/s²

Pour le modèle HM1317C

Pour les pays européens uniquement

Bruit ENG102-2
Les niveaux de bruit pondéré A typiques ont été mesurés selon la norme EN60745 :

Niveau de pression sonore (L_{pA}) : 81 dB (A)
Niveau de puissance sonore (L_{WA}) : 101 dB (A)
Incertitude (K) : 3 dB (A)

Portez des protections auditives.

Vibrations ENG216-2

La valeur totale des vibrations (somme de vecteur triaxiale) a été déterminée selon la norme EN60745 :

Mode de fonctionnement : fonction de ciselure avec le manche latéral
Émission des vibrations ($a_{h,CHeq}$) : 8,5 m/s²
Incertitude (K) : 1,5 m/s²

Pour le modèle HM1317CB

Pour l'Europe uniquement

Bruit ENG102-2
Les niveaux de bruit pondéré A typiques ont été mesurés selon la norme EN60745 :

Niveau de pression sonore (L_{pA}) : 81 dB (A)
Niveau de puissance sonore (L_{WA}) : 101 dB (A)
Incertitude (K) : 3 dB (A)

Portez des protections auditives.

Vibrations ENG216-2

La valeur totale de vibration (somme du vecteur triaxial) a été déterminée selon la norme EN60745 :

Mode de fonctionnement : fonction de ciselure avec le manche latéral

Émission des vibrations ($a_{h,CHeq}$) : 7,0 m/s²
Incertitude (K) : 1,5 m/s²

Déclaration de conformité CE

ENH213-1

Nous, Makita Corporation, en tant que fabricant responsable, déclarons que les machines Makita suivantes :

Nom de la machine :

Marteau-piqueur

N° de modèle/Type :

HM1307C, HM1307CB, HM1317C, HM1317CB

sont fabriquées en série et

sont conformes aux directives européennes suivantes :

2000/14/CE, 98/37/CE jusqu'au 28 décembre 2009 puis, à partir du 29 décembre 2009, à la directive 2006/42/CE

et sont produites conformément aux normes ou documents de normalisation suivants :

EN60745

La documentation technique est disponible auprès de notre représentant en Europe qui est :

Makita International Europe Ltd.,
Michigan, Drive, Tongwell,
Milton Keynes, MK15 8JD, Angleterre

La procédure d'évaluation de la conformité requise par la directive 2000/14/CE est conforme à l'annexe VIII.

Organisme notifié :

TÜV Rheinland Product Safety GmbH, n° d'identification 0197

Modèle HM1307C

Niveau de puissance sonore mesurée : 101 dB

Niveau de puissance sonore garantie : 103 dB

Modèle HM1307CB

Niveau de puissance sonore mesurée : 101 dB

Niveau de puissance sonore garantie : 104 dB

Modèle HM1317C

Niveau de puissance sonore mesurée : 101 dB

Niveau de puissance sonore garantie : 103 dB

Modèle HM1317CB

Niveau de puissance sonore mesurée : 101 dB

Niveau de puissance sonore garantie : 104 dB

8 avril 2009



Tomoyasu Kato
Directeur

Makita Corporation
3-11-8, Sumiyoshi-cho,
Anjo, Aichi, JAPAN

Erklärung der Gesamtdarstellung

- | | | |
|--|------------------------------|--------------------------------|
| 1. Umschalthebel | 7. Seitengriff | 14. Bei gesichertem Einsatz |
| 2. Stellrad | 8. Bohreinsatz | 15. Hintere Abdeckung |
| 3. Anzeigeleuchte für Stromversorgung EIN (grün) | 9. Feststelleinrichtung | 16. Inbusschlüssel |
| 4. Anzeigeleuchte „Service“ (rot) | 10. Werkzeughalter | 17. Kurbelkapsel |
| 5. Feststellschraube | 11. Einsatz mit Manschette | 18. Hammerfett |
| 6. Mutter | 12. Einsatz ohne Manschette | 19. Abdeckung der Kurbelkapsel |
| | 13. Bei eingesetztem Einsatz | |

TECHNISCHE DATEN

Modell	HM1317C	HM1307C	HM1317CB	HM1307CB
Schläge pro Minute	730 - 1.450			
Gesamtlänge	715 mm		824 mm	
Nettogewicht	17,0 kg	15,3 kg	19,0 kg	17,3 kg
Sicherheitsklasse	II/II			

- Aufgrund unserer beständigen Forschungen und Weiterentwicklungen sind Änderungen an den hier angegebenen Technischen Daten ohne Vorankündigung vorbehalten.
- Die Technischen Daten können in den einzelnen Ländern voneinander abweichen.
- Gewicht entsprechend EPTA-Verfahren 01/2003

Verwendungszweck ENE045-1
 Das Werkzeug wurde für Meißelarbeiten in Beton, Ziegel, Stein und Asphalt sowie mit dem entsprechenden Zubehör für Eintreiben und Verdichten entwickelt.

Stromversorgung ENF002-1
 Das Werkzeug darf nur an eine Stromversorgung mit der auf dem Typenschild angegebenen Spannung und einphasigem Wechselstrom angeschlossen werden. Das Werkzeug ist nach europäischem Standard doppelt isoliert und darf daher auch an Steckdosen ohne Schutzleiter betrieben werden.

SICHERHEITSHINWEISE FÜR DAS ARBEITEN MIT HAMMERWERKZEUGEN

GEB004-6

1. **Tragen Sie Gehörschutz.** Beständige Einwirkung von Lärm kann zu Hörverlust führen.
2. **Verwenden Sie die ggf. mit dem Werkzeug gelieferten Zusatzgriffe.** Ein Verlust der Kontrolle über das Werkzeug kann zu Verletzungen führen.
3. **Halten Sie das Elektrowerkzeug an den isolierten Griffflächen, wenn Sie unter Bedingungen arbeiten, bei denen das Schneidwerkzeug verborgene Kabel oder das eigene Kabel berühren kann.** Bei Kontakt des Werkzeugs mit einem stromführenden Kabel wird der Strom an die Metallteile des Elektrowerkzeugs und dadurch an den Bediener weitergeleitet, und der Bediener erleidet einen Stromschlag.
4. **Tragen Sie einen Arbeitsschutzhelm, eine Sicherheitsschutzbrille und/oder Gesichtsschutz. Gewöhnliche Brillen und Sonnenbrillen sind KEINE Sicherheitsbrillen oder Arbeitsschutzbrillen.** Außerdem wird das Tragen dick gefütterter Handschuhe und einer Staubmaske empfohlen.

5. **Überprüfen Sie vor der Inbetriebnahme, ob der Werkzeugeinsatz gesichert ist.**
6. **Unter normalen Betriebsbedingungen erzeugt das Werkzeug Vibrationen. Hierdurch können sich Schrauben lösen, was zu Aus- und Unfällen führen kann. Überprüfen Sie vor der Arbeit sorgsam den festen Sitz der Schrauben.**
7. **Lassen Sie das Gerät bei kaltem Wetter oder wenn das Werkzeug längere Zeit nicht benutzt wurde, eine Zeit lang ohne Last warmlaufen. Dadurch wird das Schmiermittel gelockert. Ohne ordnungsgemäßes Aufwärmen ist das Ausführen von Hammervorgängen schwierig.**
8. **Achten Sie jederzeit auf sicheren und festen Stand. Achten Sie darauf, dass sich niemand unter dem Standort des Bedieners befindet, wenn das Werkzeug an erhöhten Orten verwendet wird.**
9. **Halten Sie das Werkzeug mit beiden Händen fest.**
10. **Halten Sie Ihre Hände von den beweglichen Teilen fern.**
11. **Lassen Sie das Werkzeug nicht unbeaufsichtigt eingeschaltet. Das Werkzeug darf nur dann eingeschaltet werden, wenn es festgehalten wird.**
12. **Richten Sie das Werkzeug während des Betriebs nicht auf Personen in Ihrer Umgebung. Der Meißeleinsatz könnte sich lösen und zu schweren Verletzungen führen.**
13. **Berühren Sie kurz nach dem Betrieb nicht den Bohrmeißel oder Teile in der Nähe des Bohrmeißels. Diese können extrem heiß sein und Verbrennungen verursachen.**
14. **Lassen Sie das Werkzeug nicht unnötig ohne Last laufen.**
15. **Manche Materialien enthalten möglicherweise giftige Chemikalien. Vermeiden Sie das Einatmen von Staub und den Hautkontakt mit diesen Materialien. Befolgen Sie die Sicherheitshinweise des Materialherstellers.**

BEWAHREN SIE DIESE ANLEITUNG SORGFÄLTIG AUF.

WARNUNG:

Lassen Sie sich **NIE** durch **Bequemlichkeit** oder (aus fortwährendem Gebrauch gewonnener) **Vertrautheit mit dem Werkzeug** dazu verleiten, die **Sicherheitsregeln für das Werkzeug zu missachten**. Bei **MISSBRÄUHLICHER** Verwendung des Werkzeugs oder **Missachtung** der in diesem Handbuch enthaltenen **Sicherheitshinweise** kann es zu **schweren Verletzungen** kommen.

FUNKTIONSBESCHREIBUNG

ACHTUNG:

- Schalten Sie das Werkzeug stets aus und ziehen Sie den Stecker, bevor Sie Einstellungen am Werkzeug oder eine Funktionsprüfung des Werkzeugs vornehmen.

Bedienung des Schalters (Abb. 1)

ACHTUNG:

- Achten Sie vor dem Anschließen des Werkzeugs an die Stromversorgung stets darauf, dass das Werkzeug ausgeschaltet ist.
- Der Schalter lässt sich in Stellung „ON“ arretieren, um die Bedienung bei längerem Gebrauch zu vereinfachen. Seien Sie vorsichtig, wenn der Schalter des Werkzeugs in der Position „ON“ arretiert ist, und halten Sie das Werkzeug zu jeder Zeit gut fest.

Drücken Sie zum Starten des Werkzeugs auf den Schalthebel „ON (I)“ auf der linken Seite des Werkzeugs. Drücken Sie zum Stoppen des Werkzeugs auf den Schalthebel „OFF (O)“ auf der rechten Seite des Werkzeugs.

Änderung der Schlagzahl (Abb. 2)

Die Schläge pro Minute können Sie auf einfache Weise durch Drehen am Einstellrad ändern. Dies ist auch bei laufendem Werkzeug möglich. Das Einstellrad ist mit 1 (niedrigste Schlagzahl) bis 5 (höchste Schlagzahl) beschriftet.

In der folgenden Tabelle sind die Zahleneinstellung am Einstellrad und die entsprechenden Schläge pro Minute aufgeführt:

Zahl am Einstellrad	Schläge pro Minute
5	1.450
4	1.350
3	1.150
2	800
1	730

Nur für Modelle HM1317C, HM1317CB

HINWEIS:

- Im Leerlauf ist die Anzahl der Schläge pro Minute geringer als bei Arbeitslast, um die Schwingung im Leerlauf zu dämpfen; dies ist keine Fehlfunktion. Sobald der Betrieb aufgenommen wird und der Meißel mit Beton in Berührung kommt, erhöht sich die Anzahl der Schläge pro Minute und erreicht den in der Tabelle

angegebenen Wert. Bei niedrigen Temperaturen und zähflüssigerem Fett ist diese Funktion möglicherweise gestört, selbst wenn sich die Drehzahl des Motors erhöht.

ACHTUNG:

- Das Schlagzahl-Stellrad lässt sich nur bis 5 und zurück auf 1 drehen. Wird es gewaltsam über 5 oder 1 hinaus gedreht, lässt sich die Schlagzahl möglicherweise nicht mehr einstellen.

Anzeigeleuchte (Abb. 3)

Die grüne Anzeigeleuchte „Stromversorgung EIN“ leuchtet, sobald das Werkzeug an die Stromversorgung angeschlossen wird. Wenn die Anzeigeleuchte nicht leuchtet, ist möglicherweise das Stromkabel oder die Steuerungseinheit defekt. Wenn die Anzeigeleuchte leuchtet und das Werkzeug nicht startet, obwohl es eingeschaltet wird, sind möglicherweise die Kohlebürsten verbraucht, oder die Steuerungseinheit, der Motor oder der EIN/AUS-Schalter ist defekt.

Wenn die Kohlebürsten fast verbraucht sind, flackert die rote Service-Anzeigeleuchte. Dies bedeutet, dass das Werkzeug gewartet werden muss. Nach etwa 8 Stunden Betriebsdauer schaltet sich der Motor automatisch aus.

MONTAGE

ACHTUNG:

- Schalten Sie das Werkzeug stets aus und ziehen Sie den Netzstecker, bevor Sie irgendwelche Arbeiten am Werkzeug durchführen.

Seitengriff (Zusatzgriff) (Abb. 4)

Der Seitengriff kann vertikal um 360° gedreht und in jeder gewünschten Position festgestellt werden. Sie müssen lediglich die Befestigungsmutter lockern, um den Seitengriff in die gewünschte Position drehen zu können. Ziehen Sie anschließend die Befestigungsmutter fest an.

Einsetzen und Entnehmen des Meißeleinsatzes

Nur für Modelle HM1307C, HM1317C (Abb. 5)

Schieben Sie den Einsatz so weit wie möglich in den Werkzeughalter, wobei der gekerbte Abschnitt des Aufnahmeschafts zur Feststelleinrichtung zeigt. Ziehen Sie dann die Feststelleinrichtung heraus und drehen sie diese um 180°, um den Einsatz zu sichern. Überprüfen Sie nach der Montage stets, ob der Einsatz ordnungsgemäß sitzt, indem Sie versuchen, ihn herausziehen.

Nur für Modelle HM1307CB, HM1317CB (Abb. 6)

Das Werkzeug kann Meißeleinsätze mit und ohne Schaftmanschette aufnehmen.

(1) Einsatz mit Manschette (Abb. 7)

Zum Anbringen des Einsatzes befolgen Sie die im Folgenden beschriebene Vorgehensweise (1) oder (2).

Drehen Sie die Feststelleinrichtung zurück und leicht nach unten. Schieben Sie den Einsatz so weit wie möglich in den Werkzeughalter. Um den Einsatz zu sichern, führen Sie den Werkzeughalter zurück in die Ursprungsposition.

ACHTUNG:

- Vergewissern Sie sich nach diesen Arbeitsschritten, dass der Einsatz sicher sitzt, indem Sie versuchen, ihn aus dem Werkzeughalter zu ziehen.

(2) Einsatz ohne Manschette (Abb. 8)

Drehen Sie die Feststelleinrichtung nach vorn und leicht nach unten. Schieben Sie den Einsatz so weit wie möglich in den Werkzeughalter, wobei der gekerbte Abschnitt des Einsatzes zum Feststellschaft zeigt. Drehen Sie dann den Werkzeughalter weiter nach unten in Richtung Hülse, um den Einsatz zu sichern.

ACHTUNG:

- Vergewissern Sie sich nach diesen Arbeitsschritten, dass der Einsatz sicher sitzt, indem Sie versuchen, ihn aus dem Werkzeughalter zu ziehen.
- Ein Einsatz ohne Manschette kann nicht anhand der in Abb. (7) gezeigten Methode gesichert werden.

Zum Entnehmen des Einsatzes befolgen Sie die Vorgehensweise zum Einbauen in umgekehrter Reihenfolge.

BETRIEB

Abspanen / Abschälen / Abbruch (Abb. 9)

Verwenden Sie stets den Seitengriff (Zusatgriff) und halten Sie während der Arbeit das Werkzeug am Seitengriff und am Schaltergriff fest. Schalten Sie das Werkzeug ein und üben Sie leichten Druck auf das Werkzeug aus, so dass es nicht unkontrolliert herumspringt. Ein stärkerer Druck auf das Werkzeug erhöht nicht dessen Wirkung.

WARTUNG

ACHTUNG:

- Schalten Sie das Werkzeug stets aus und ziehen Sie den Netzstecker, bevor Sie Prüfungen oder Wartungsarbeiten am Werkzeug durchführen.

Schmierung

ACHTUNG:

- Diese Wartungsarbeit sollte nur von autorisierten Makita-Servicecentern oder vom Werkscenter durchgeführt werden.

Dieses Werkzeug muss nicht stündlich oder täglich gefettet werden, da es über ein fettgeschmiertes Schmiermittelsystem verfügt. Für eine längere Lebenszeit des Werkzeugs sollte das Schmiermittel jedoch regelmäßig ausgetauscht werden.

Schalten Sie das Werkzeug aus und ziehen Sie den Stecker.

Nur für Modelle HM1307C, HM1307CB (Abb. 10)

Lösen Sie mit Hilfe eines Inbusschlüssels die sechs Schrauben und nehmen Sie die hintere Abdeckung ab.

(Abb. 11)

Ziehen Sie die Kurbelkapsel in Pfeilrichtung heraus und nehmen Sie die Kapsel aus dem Werkzeug. **(Abb. 12)** Füllen Sie anschließend neues Fett ein (60 g). Verwenden Sie nur das Hammerfett von Makita (Sonderzubehör). Wenn Sie mehr Fett auffüllen als angegeben (etwa 60 g), kann dies zu Ausfällen und Fehlfunktionen des

Werkzeugs führen. Füllen Sie nur die angegebene Menge an Fett auf.

Zum Zusammenbau des Werkzeugs befolgen Sie das Demontageverfahren in umgekehrter Reihenfolge.

Nur für Modelle HM1317C, HM1317CB (Abb. 13)

Lösen Sie mit Hilfe eines Inbusschlüssels die sechs Schrauben und nehmen Sie die hintere Abdeckung ab.

(Abb. 14)

Ziehen Sie den Kurbelkapseldeckel in Pfeilrichtung heraus und nehmen Sie den Deckel ab. **(Abb. 15)** Füllen Sie anschließend neues Fett ein (60 g). Verwenden Sie nur das Hammerfett von Makita (Sonderzubehör). Wenn Sie mehr Fett auffüllen als angegeben (etwa 60 g), kann dies zu Ausfällen und Fehlfunktionen des Werkzeugs führen. Füllen Sie nur die angegebene Menge an Fett auf.

Zum Zusammenbau des Werkzeugs befolgen Sie das Demontageverfahren in umgekehrter Reihenfolge.

ACHTUNG:

- Achten Sie besonders bei der Montage der hinteren Abdeckung darauf, dass Sie die Bürstenhalterung und die Kohlebürsten nicht beschädigen.
 - Verwenden Sie beim Zusammenbau nicht die sechs alten Schrauben, sondern setzen Sie neue Schrauben, da diese Schrauben mit Klebstoff fixiert werden.
- Um die SICHERHEIT und die ZUVERLÄSSIGKEIT des Produkts zu gewährleisten, sollten Reparaturen, Wartungsarbeiten und Einstellungen nur durch von Makita autorisierte Servicecenter durchgeführt und ausschließlich Makita-Ersatzteile verwendet werden.

ZUBEHÖR

ACHTUNG:

- Für das in diesem Handbuch beschriebene Makita-Werkzeug werden die folgenden Zubehör- und Zusatzteile empfohlen. Die Verwendung anderer Zubehör- und Zusatzteile kann zu Personenschäden führen. Verwenden Sie Zubehör- und Anbauteile nur für den vorgesehenen Zweck.

Informationen zu diesem Zubehör erhalten Sie in einem Makita-Servicecenter in Ihrer Nähe.

- Spitzmeißel
- Flachmeißel
- Schaber
- Lehmspaten
- Stampfer
- Hammerfett
- Schutzbrillen
- Kunststoff-Tragekoffer

Für Modell HM1307C**Nur für europäische Länder****Schallpegel**

ENG102-2

Typischer A-bewerteter Schallpegel nach EN60745:

Schalldruckpegel (L_{pA}): 81 dB (A)Schalleistungspegel (L_{WA}): 101 dB (A)

Abweichung (K): 3 dB (A)

Tragen Sie Gehörschutz.**Schwingung**

ENG216-2

Schwingungsgesamtwerte (Vektorsumme dreier Achsen)
nach EN60745:

Arbeitsmodus: Meißelfunktion mit Seitengriff

Schwingungsbelastung ($a_{h,CHeg}$): 12,5 m/s²Abweichung (K): 2,0 m/s²**Für Modell HM1307CB****Nur für europäische Länder****Schallpegel**

ENG102-2

Typischer A-bewerteter Schallpegel nach EN60745:

Schalldruckpegel (L_{pA}): 81 dB (A)Schalleistungspegel (L_{WA}): 101 dB (A)

Abweichung (K): 3 dB (A)

Tragen Sie Gehörschutz.**Schwingung**

ENG216-2

Schwingungsgesamtwerte (Vektorsumme dreier Achsen)
nach EN60745:

Arbeitsmodus: Meißelfunktion mit Seitengriff

Schwingungsbelastung ($a_{h,CHeg}$): 12,0 m/s²Abweichung (K): 1,5 m/s²**Für Modell HM1317C****Nur für europäische Länder****Schallpegel**

ENG102-2

Typischer A-bewerteter Schallpegel nach EN60745:

Schalldruckpegel (L_{pA}): 81 dB (A)Schalleistungspegel (L_{WA}): 101 dB (A)

Abweichung (K): 3 dB (A)

Tragen Sie Gehörschutz.**Schwingung**

ENG216-2

Schwingungsgesamtwerte (Vektorsumme dreier Achsen)
nach EN60745:

Arbeitsmodus: Meißelfunktion mit Seitengriff

Schwingungsbelastung ($a_{h,CHeg}$): 8,5 m/s²Abweichung (K): 1,5 m/s²**Für Modell HM1317CB****Nur für europäische Länder****Schallpegel**

ENG102-2

Typischer A-bewerteter Schallpegel nach EN60745:

Schalldruckpegel (L_{pA}): 81 dB (A)Schalleistungspegel (L_{WA}): 101 dB (A)

Abweichung (K): 3 dB (A)

Tragen Sie Gehörschutz.**Schwingung**

ENG216-2

Schwingungsgesamtwerte (Vektorsumme dreier Achsen)
nach EN60745:

Arbeitsmodus: Meißelfunktion mit Seitengriff

Schwingungsbelastung ($a_{h,CHeg}$): 7,0 m/s²Abweichung (K): 1,5 m/s²**EU-Konformitätserklärung****Wir, Makita Corporation als verantwortlicher****Hersteller, erklären, dass die folgenden Geräte der Marke Makita:**

Bezeichnung des Geräts:

Stemmhammer

Nummer / Typ der Modelle:

HM1307C, HM1307CB, HM1317C, HM1317CB

in Serienfertigung hergestellt werden und

den folgenden Richtlinien der Europäischen Union genügen:2000/14/EC, 98/37/EC bis 28. Dezember 2009 und
2006/42/EC ab dem 29. Dezember 2009Außerdem werden die Geräte gemäß den folgenden
Standards oder Normen gefertigt:

EN60745

Die technische Dokumentation erfolgt durch unseren
Bevollmächtigten in Europa:

Makita International Europe Ltd.,

Michigan, Drive, Tongwell,

Milton Keynes, MK15 8JD, England

Das Verfahren der Konformitätsbewertung, das in der
Richtlinie 2000/14/EG verlangt wird, wurde in
Übereinstimmung mit Anhang VIII durchgeführt.

Benannte Stelle:

TÜV Rheinland Product Safety GmbH, ID-Nr. 0197

Modell HM1307C

Gemessener Schalleistungspegel: 101 dB

Garantierter Schalleistungspegel: 103 dB

Modell HM1307CB

Gemessener Schalleistungspegel: 101 dB

Garantierter Schalleistungspegel: 104 dB

Modell HM1317C

Gemessener Schalleistungspegel: 101 dB

Garantierter Schalleistungspegel: 103 dB

Modell HM1317CB

Gemessener Schalleistungspegel: 101 dB

Garantierter Schalleistungspegel: 104 dB

8. April 2009



Tomoyasu Kato

Direktor

Makita Corporation

3-11-8, Sumiyoshi-cho,

Anjo, Aichi, JAPAN

Spiegazione della vista generale

- | | | |
|--|--------------------------------|----------------------------------|
| 1. Leva dell'interruttore | 7. Manico laterale | 14. Quando la punta è trattenuta |
| 2. Ghiera di regolazione | 8. Punta | 15. Coperchio posteriore |
| 3. Spia indicazione accensione (verde) | 9. Fermo dell'utensile | 16. Chiave esagonale |
| 4. Spia di servizio (rossa) | 10. Porta-attrezzo | 17. Protezione manovella |
| 5. Bullone di fissaggio | 11. Punta con collare | 18. Grasso per martello |
| 6. Dado | 12. Punta senza collare | 19. Coperchio della manovella |
| | 13. Quando la punta è inserita | |

CARATTERISTICHE TECNICHE

Modello	HM1317C	HM1307C	HM1317CB	HM1307CB
Colpi al minuto	730 - 1.450			
Lunghezza totale	715 mm		824 mm	
Peso netto	17,0 kg	15,3 kg	19,0 kg	17,3 kg
Classe di sicurezza	II/II			

- Le caratteristiche tecniche riportate di seguito sono soggette a modifiche senza preavviso in virtù del nostro programma continuo di ricerca e sviluppo.
- Le caratteristiche tecniche possono differire da paese a paese.
- Peso determinato in conformità con la EPTA-Procedure 01/2003

Uso previsto

ENE045-1

L'utensile è stato progettato per la scalpellatura di cemento, mattoni, pietra e asfalto, nonché per la tassellatura e la compattazione mediante gli appositi accessori.

Alimentazione

ENF002-1

L'utensile deve essere collegato a una presa di corrente con la stessa tensione di quella indicata sulla targhetta e può funzionare soltanto con corrente alternata monofase. L'utensile è dotato di doppio isolamento in osservanza alle norme europee, pertanto può essere usato anche con prese di corrente sprovviste della messa a terra.

AVVERTENZE DI SICUREZZA PER IL MARTELLO

GEB004-6

- Indossare protezioni acustiche.** L'esposizione al rumore può causare la perdita della capacità uditiva.
- Utilizzare le maniglie ausiliarie, se fornite con l'utensile.** La perdita di controllo può provocare lesioni personali.
- Se vengono eseguite operazioni in cui l'accessorio di taglio può toccare fili nascosti o il cavo di alimentazione dell'utensile, impugnare l'utensile utilizzando i punti di presa isolati.** Se l'accessorio da taglio entra a contatto con un filo percorso da corrente, le parti metalliche esposte dell'utensile si troveranno anch'esse sotto tensione e potrebbero provocare scosse elettriche all'operatore.
- Indossare un elmetto (casco di sicurezza), occhiali di sicurezza e/o visiere protettive.** I comuni occhiali da vista o da sole **NON** sono occhiali di sicurezza. Si consiglia anche di indossare una maschera antipolvere e guanti imbottiti.
- Prima di azionare l'utensile, verificare che la punta sia fissata nella posizione corretta.**
- In condizioni d'uso normali, l'utensile è progettato per produrre vibrazioni. Le viti possono svitarsi facilmente, causando una rottura o un incidente. Prima di azionare l'utensile, controllare che le viti siano serrate.**
- In caso di temperature fredde oppure se l'utensile non è stato utilizzato a lungo, lasciare riscaldare l'utensile per qualche istante azionandolo senza alcun carico. In tal modo il lubrificante sarà meno viscoso e più efficace. Le operazioni di martellatura risultano più difficoltose senza un preriscaldamento adeguato.**
- Accertarsi sempre di avere un equilibrio stabile. Controllare che nessuno si trovi sotto all'utensile quando lo si utilizza in posizioni elevate.**
- Tenere saldamente l'utensile con entrambe le mani.**
- Mantenere le mani lontano dalle parti in movimento.**
- Non lasciare l'utensile acceso. Azionare l'utensile solo dopo averlo impugnato.**
- Non puntare l'utensile verso persone presenti nell'area di lavoro. Un'eventuale fuoriuscita della punta potrebbe provocare lesioni gravi.**
- Non toccare la punta o le parti vicino alla punta subito dopo aver utilizzato l'utensile in quanto possono raggiungere temperature elevate e provocare ustioni.**
- Non azionare inutilmente l'attrezzo a vuoto.**
- Alcuni materiali contengono prodotti chimici che possono essere tossici. Evitare l'inalazione della polvere e il contatto con la pelle. Attenersi alle istruzioni per la sicurezza del fornitore dei materiali.**

CONSERVARE QUESTE ISTRUZIONI.

AVVERTENZA:

NON lasciare che la familiarità acquisita con il prodotto (dovuta all'uso ripetuto) provochi l'insosservanza delle regole di sicurezza per il presente utensile.
L'USO IMPROPRIO o la mancata osservanza delle norme di sicurezza contenute in questo manuale può provocare lesioni personali gravi.

DESCRIZIONE FUNZIONALE

ATTENZIONE:

- Prima di regolare o controllare le funzioni dell'utensile, verificare sempre di averlo spento e scollegato dall'alimentazione.

Azionamento dell'interruttore (Fig. 1)

ATTENZIONE:

- Prima di collegare l'utensile all'alimentazione elettrica, verificare che sia spento.
- È possibile bloccare l'interruttore nella posizione "ON" (ACCESO) per garantire comodità all'operatore durante l'uso prolungato dell'utensile. Prestare attenzione quando si blocca l'utensile nella posizione "ON" (ACCESO) e mantenere una presa sicura.

Per avviare l'utensile, premere la leva dell'interruttore "I (ON)" sul lato sinistro dell'utensile. Per arrestare l'utensile, premere la leva dell'interruttore "O (OFF)" sul lato destro dell'utensile.

Modifica della velocità (Fig. 2)

Il numero di colpi al minuto può essere regolato ruotando la ghiera di regolazione. L'operazione può essere eseguita anche quando l'utensile è in funzione. I segni sulla ghiera vanno da 1 (velocità minima) a 5 (velocità massima).

Fare riferimento alla tabella seguente per quanto riguarda la relazione fra la posizione della ghiera e il numero di colpi al minuto.

Numero sulla ghiera di regolazione	Colpi al minuto
5	1.450
4	1.350
3	1.150
2	800
1	730

Solo per i modelli HM1317C, HM1317CB

NOTA:

- Il numero di colpi a vuoto al minuto diminuisce rispetto a quello a pieno carico per ridurre le vibrazioni a vuoto, ma non si tratta di un problema di funzionamento. Dopo aver avviato il funzionamento con una punta contro il cemento, il numero di colpi al minuto aumenta e raggiunge i valori riportati nella tabella. In caso di basse temperature e conseguente minore fluidità del grasso, l'utensile potrebbe non svolgere questa funzione anche con il motore in rotazione.

ATTENZIONE:

- La ghiera di regolazione può essere ruotata soltanto fino a 5 o indietro fino a 1. Non forzarla oltre 5 o 1: in

caso contrario, potrebbe non funzionare più correttamente.

Spia luminosa (Fig. 3)

La spia verde dell'alimentazione si accende quando l'utensile è collegato alla presa di corrente. Se la spia non si accende, il cavo di alimentazione o il controller potrebbero non funzionare correttamente. Se la spia si accende ma l'utensile non si avvia nonostante sia acceso, potrebbero essersi usurate le spazzole di carbone oppure il controller, il motore o l'interruttore potrebbero non funzionare correttamente.

La spia di servizio rossa lampeggia quando le spazzole di carbone sono quasi del tutto usurate, per indicare che l'utensile ha bisogno di manutenzione. Il motore viene automaticamente disattivato dopo circa 8 ore di utilizzo.

MONTAGGIO

ATTENZIONE:

- Accertarsi sempre che l'utensile sia spento e scollegato dalla presa di corrente prima di iniziare qualsiasi operazione su di esso.

Impugnatura laterale (maniglia ausiliaria) (Fig. 4)

L'impugnatura laterale può essere girata a 360° in verticale e fissata in qualunque posizione desiderata. Per girare l'impugnatura nella posizione desiderata è sufficiente allentare il dado di serraggio. Dopo l'operazione, stringere completamente il dado di serraggio.

Installazione o rimozione della punta

Solo per i modelli HM1307C, HM1317C (Fig. 5)

Con la parte dentellata del gambo della punta rivolta verso l'albero di fermo dell'attrezzo, inserire completamente la punta nel porta-attrezzo. Quindi, estrarre e ruotare il fermo dell'attrezzo di 180° per fissare la punta. Dopo l'installazione, verificare sempre che la punta rimanga saldamente in posizione provando ad estrarla.

Solo per i modelli HM1307CB, HM1317CB (Fig. 6)

Questo attrezzo accetta le punte con o senza collare sul gambo.

(1) Per le punte con un collare (Fig. 7)

Per installare la punta, attenersi alla procedura (1) o (2) descritta sotto.

Ruotare leggermente verso il basso la parte posteriore del fermo dell'attrezzo. Inserire completamente la punta nel porta-attrezzo. Per mantenere saldamente la punta, riportare il fermo dell'attrezzo alla posizione originale.

ATTENZIONE:

- Verificare sempre che la punta sia fissata saldamente cercando di estrarre la punta dal porta-attrezzo, dopo aver completato la suddetta procedura.

(2) Per le punte senza un collare (Fig. 8)

Ruotare leggermente verso il basso la parte anteriore del fermo dell'attrezzo. Con la parte dentellata della punta rivolta verso l'albero di fermo dell'attrezzo, inserire completamente la punta nel porta-attrezzo.

Quindi, ruotare ulteriormente il fermo dell'attrezzo verso il basso fino al cilindro per mantenere saldamente la punta.

ATTENZIONE:

- Verificare sempre che la punta sia fissata saldamente cercando di estrarre la punta dal porta-attrezzo, dopo aver completato la suddetta procedura.
- La punta senza collare non può essere trattenuta con il metodo indicato nella Fig. 7.

Per rimuovere la punta, attenersi alla procedura di installazione procedendo in senso inverso.

USO

Scalpellatura/scagliatura/demolizione (Fig. 9)

Durante il funzionamento, tenere sempre l'utensile utilizzando sia l'impugnatura con l'interruttore sia la maniglia ausiliaria laterale. Accendere l'attrezzo e applicare una leggera pressione in modo da evitare contraccolpi non controllati. L'efficienza dell'utensile non aumenta se si applica una pressione molto forte.

MANUTENZIONE

ATTENZIONE:

- Prima di effettuare controlli e operazioni di manutenzione, verificare sempre che l'utensile sia spento e scollegato.

Lubrificazione

ATTENZIONE:

- Questa manutenzione deve essere effettuata solo da centri di assistenza autorizzati Makita o dal servizio interno del produttore.

Questo utensile non richiede una lubrificazione quotidiana o regolare, perché dispone di un sistema di lubrificazione con grasso. Si consiglia tuttavia di sostituire periodicamente il grasso per garantire una maggiore durata dell'utensile.

In primo luogo, spegnere e scollegare l'attrezzo.

Solo per i modelli HM1307C, HM1307CB (Fig. 10)

Rimuovere le sei viti utilizzando una chiave esagonale e togliere il coperchio posteriore. (Fig. 11)

Togliere la protezione della manovella tirandola in direzione della freccia e rimuoverla. (Fig. 12)

Riempire quindi con grasso fresco (60 g). Usare solo grasso per martelli originale Makita (accessorio opzionale). Il riempimento con una quantità di grasso superiore a quella specificata (circa 60 g) può causare movimenti difettosi del martello o guasti all'utensile. Riempire solo con la quantità di grasso specificata. Per rimontare l'utensile, attenersi alla procedura di disinstallazione procedendo in senso inverso.

Solo per i modelli HM1317C, HM1317CB (Fig. 13)

Rimuovere le sei viti utilizzando una chiave esagonale e togliere il coperchio posteriore. (Fig. 14)

Togliere il coperchio della manovella tirandolo in direzione della freccia e rimuoverlo. (Fig. 15)

Riempire quindi con grasso fresco (60 g). Usare solo grasso per martelli originale Makita (accessorio opzionale). Il riempimento con una quantità di grasso

superiore a quella specificata (circa 60 g) può causare movimenti difettosi del martello o guasti all'utensile. Riempire solo con la quantità di grasso specificata. Per rimontare l'utensile, attenersi alla procedura di disinstallazione procedendo in senso inverso.

ATTENZIONE:

- Fare attenzione a non danneggiare l'unità di supporto della spazzola e le spazzole di carbone soprattutto durante l'installazione del coperchio posteriore.
- Nella fase di rimontaggio, non riutilizzare i sei bulloni ma usarne di nuovi, poiché tali bulloni sono applicati con adesivo.

Per mantenere la SICUREZZA e l'AFFIDABILITÀ del prodotto, le riparazioni e qualsiasi altra operazione di manutenzione o regolazione devono essere eseguiti dai centri di assistenza autorizzati Makita utilizzando sempre parti di ricambio Makita.

ACCESSORI

ATTENZIONE:

- Si raccomanda di usare questi accessori per l'utensile Makita descritto in questo manuale. L'uso di qualsiasi altro accessorio potrebbe provocare lesioni personali. Utilizzare gli accessori esclusivamente per l'uso dichiarato.

Per l'assistenza e ulteriori informazioni su tali accessori, rivolgersi al centro di assistenza Makita più vicino.

- Punta gigante
- Scalpello a freddo
- Scalpello per scagliatura
- Paletta per argilla
- Mazzuolo
- Grasso per martello
- Occhiali di sicurezza
- Valigetta di trasporto di plastica

Per il modello HM1307C

Solo per i paesi europei

Rumore

ENG102-2

Il tipico livello di rumore ponderato "A" è determinato in conformità con la norma EN60745:

Livello di pressione sonora (L_{pA}): 81 dB (A)

Livello di potenza sonora (L_{WA}): 101 dB (A)

Variatione (K): 3 dB (A)

Indossare una protezione acustica.

Vibrazione

ENG216-2

Il valore totale della vibrazione (somma vettoriale triassiale) è determinato in conformità con la norma EN60745:

Modalità di lavoro: scalpellatura con impugnatura laterale

Emissione delle vibrazioni ($a_{h,CHed}$): 12,5 m/s²

Variatione (K): 2,0 m/s²

Per il modello HM1307CB

Solo per i paesi europei

Rumore

ENG102-2

Il tipico livello di rumore ponderato "A" è determinato in conformità con la norma EN60745:

Livello di pressione sonora (L_{pA}): 81 dB (A)

Livello di potenza sonora (L_{WA}): 101 dB (A)

Variatione (K): 3 dB (A)

Indossare una protezione acustica.

Vibrazione ENG216-2

Il valore totale della vibrazione (somma vettoriale triassiale) è determinato in conformità con la norma EN60745:

Modalità di lavoro: scalpellatura con impugnatura laterale
Emissione delle vibrazioni ($a_{h,CHeq}$): 12,0 m/s²
Variazione (K): 1,5 m/s²

Per il modello HM1317C**Solo per i paesi europei****Rumore** ENG102-2

Il tipico livello di rumore ponderato "A" è determinato in conformità con la norma EN60745:

Livello di pressione sonora (L_{pA}): 81 dB (A)
Livello di potenza sonora (L_{WA}): 101 dB (A)
Variazione (K): 3 dB (A)

Indossare una protezione acustica.**Vibrazione** ENG216-2

Valore totale della vibrazione (somma vettoriale triassiale) determinato in conformità con la norma EN60745:

Modalità di lavoro: scalpellatura con impugnatura laterale
Emissione delle vibrazioni ($a_{h,CHeq}$): 8,5 m/s²
Variazione (K): 1,5 m/s²

Per il modello HM1317CB**Solo per i paesi europei****Rumore** ENG102-2

Il tipico livello di rumore ponderato "A" è determinato in conformità con la norma EN60745:

Livello di pressione sonora (L_{pA}): 81 dB (A)
Livello di potenza sonora (L_{WA}): 101 dB (A)
Variazione (K): 3 dB (A)

Indossare una protezione acustica.**Vibrazione** ENG216-2

Il valore totale della vibrazione (somma vettoriale triassiale) è determinato in conformità con la norma EN60745:

Modalità di lavoro: scalpellatura con impugnatura laterale
Emissione delle vibrazioni ($a_{h,CHeq}$): 7,0 m/s²
Variazione (K): 1,5 m/s²

Dichiarazione di conformità CE ENH213-1

Makita Corporation, in qualità di produttore responsabile, dichiara che gli utensili Makita indicati di seguito:

Denominazione dell'utensile:

Demolitore elettrico

N. modello/Tipo

HM1307C, HM1307CB, HM1317C, HM1317CB

appartengono a una produzione in serie e

sono conformi alle seguenti direttive europee:

2000/14/CE, 98/37/CE fino al 28 dicembre 2009 e successivamente alla direttiva 2006/42/CE a partire dal 29 dicembre 2009

Sono inoltre prodotti in conformità con gli standard o i documenti standardizzati riportati di seguito:

EN60745

La documentazione tecnica viene conservata dal rappresentante autorizzato Makita in Europa, ovvero:

Makita International Europe Ltd.,
Michigan, Drive, Tongwell,
Milton Keynes, MK15 8JD, Inghilterra

La procedura di valutazione della conformità richiesta dalla Direttiva 2000/14/CE è stata effettuata secondo quanto specificato nell'allegato VIII.

Ente competente:

TÜV Rheinland Product Safety GmbH, n. di identificazione 0197

Modello HM1307C

Livello di potenza sonora misurata: 101 dB

Livello di potenza sonora garantita: 103 dB

Modello HM1307CB

Livello di potenza sonora misurata: 101 dB

Livello di potenza sonora garantita: 104 dB

Modello HM1317C

Livello di potenza sonora misurata: 101 dB

Livello di potenza sonora garantita: 103 dB

Modello HM1317CB

Livello di potenza sonora misurata: 101 dB

Livello di potenza sonora garantita: 104 dB

8 aprile 2009



Tomoyasu Kato

Direttore

Makita Corporation

3-11-8, Sumiyoshi-cho,

Anjo, Aichi, JAPAN

Verklaring van het onderdelenoverzicht

- | | | |
|----------------------------|----------------------------|------------------------------|
| 1. Aan/uit-schakelaar | 8. Bit | 15. Achterkap |
| 2. Stelknop | 9. Bitklem | 16. Inbussleutel |
| 3. Bedrijfslampje (groen) | 10. Bithouder | 17. Krukafdekking |
| 4. Onderhoudslampje (rood) | 11. Bit met kraag | 18. Hamervet |
| 5. Bout | 12. Bit zonder kraag | 19. Deksel van krukafdekking |
| 6. Moer | 13. Het bit aanbrengen | |
| 7. Zijhandgreep | 14. Het bit is vergrendeld | |

TECHNISCHE GEGEVENS

Model	HM1317C	HM1307C	HM1317CB	HM1307CB
Aantal slagen/minuut	730 - 1.450			
Totale lengte	715 mm		824 mm	
Netto gewicht	17,0 kg	15,3 kg	19,0 kg	17,3 kg
Veiligheidsklasse	II			

- Als gevolg van ons doorlopende onderzoeks- en ontwikkelingsprogramma, zijn de technische gegevens van dit gereedschap onderhevig aan veranderingen zonder voorafgaande kennisgeving.
- De technische gegevens kunnen van land tot land verschillen.
- Gewicht volgens EPTA-procedure 01/2003

Gebruiksdoeleinden ENE045-1
 Het gereedschap is bedoeld voor beitelwerk in beton, baksteen, steen en asfalt, naast heien en verdichten indien voorzien van geschikte accessoires.

Voeding ENF002-1
 Het gereedschap mag uitsluitend worden aangesloten op een voeding met dezelfde spanning als aangegeven op het typeplaatje en werkt alleen op enkele-fase wisselstroom. Het gereedschap is dubbel geïsoleerd volgens de Europese norm en mag derhalve ook op een niet-geaard stopcontact worden aangesloten.

VEILIGHEIDSWAARSCHUWINGEN VOOR BOORHAMER

GEB004-6

- Draag gehoorbescherming.** Blootstelling aan harde geluiden kan leiden tot gehoorbeschadiging.
- Gebruik de hulphandgrepen, als deze bij het gereedschap werden geleverd.** Als u de controle over het gereedschap verliest, kan dit leiden tot persoonlijk letsel.
- Houd elektrisch gereedschap vast aan het geïsoleerde oppervlak van de handgrepen wanneer u werkt op plaatsen waar het bitaccessoire met verborgen bedrading of zijn eigen snoer in aanraking kan komen.** Wanneer het bitaccessoire in aanraking komen met onder spanning staande draden, zullen de niet-geïsoleerde metalen delen van het gereedschap onder spanning komen te staan zodat de gebruiker een elektrische schok kan krijgen.
- Draag een veiligheidshelm, veiligheidsbril en/of spatscherm. Een gewone bril of een zonnebril is GEEN veiligheidsbril. Het wordt tevens sterk aanbevolen een stofmasker en dik gevoerde handschoenen te dragen.**
- Controleer of het bit stevig op zijn plaats zit voordat u het gereedschap gebruikt.**
- Bij normale bediening behoort het gereedschap te trillen. De schroeven kunnen gemakkelijk losraken, waardoor een defect of ongeluk kan ontstaan. Controleer of de schroeven goed zijn aangedraaid, alvorens het gereedschap te gebruiken.**
- In koude weersomstandigheden of wanneer het gereedschap gedurende een lange tijd niet is gebruikt, laat u het gereedschap eerst opwarmen door het onbelast te laten werken. Hierdoor zal de smering worden verbeterd. Zonder degelijk opwarmen, zal de hamerwerking moeilijk zijn.**
- Zorg er altijd voor dat u stevig staat. Zorg ervoor dat er niemand zich onder u bevindt wanneer u het gereedschap op een hoge plaats gebruikt.**
- Houd het gereedschap met beide handen stevig vast.**
- Houd uw handen uit de buurt van bewegende delen.**
- Laat het gereedschap niet ingeschakeld liggen. Bedien het gereedschap alleen wanneer u het vasthoudt.**
- Richt het gereedschap niet op iemand in de buurt terwijl het is ingeschakeld. Het bit zou eruit kunnen vliegen en iemand ernstig verwonden.**
- Raak het bit en onderdelen in de buurt van het bit niet onmiddellijk na gebruik aan. Zij kunnen bijzonder heet zijn en brandwonden op uw huid veroorzaken.**
- Laat het gereedschap niet onnodig onbelast draaien.**
- Sommige materialen bevatten chemische stoffen die giftig kunnen zijn. Neem voorzorgsmaatregelen tegen het inademen van stof en contact met de huid. Volg de**

veiligheidsinstructies van de leverancier van het materiaal op.

BEWAAR DEZE INSTRUCTIES

WAARSCHUWING:

Laat u **NIET** misleiden door een vals gevoel van comfort en bekendheid met het gereedschap (na veelvuldig gebruik) en neem alle veiligheidsvoorschriften van het betreffende product altijd strikt in acht.

VERKEERD GEBRUIK of het niet volgen van de veiligheidsinstructies in deze gebruiksaanwijzing kan leiden tot ernstig persoonlijk letsel.

BESCHRIJVING VAN DE FUNCTIES

LET OP:

- Controleer altijd of het gereedschap is uitgeschakeld en de stekker uit het stopcontact is getrokken alvorens de functies van het gereedschap te controleren of af te stellen.

In- en uitschakelen (zie afb. 1)

LET OP:

- Controleer voor u de stekker in het stopcontact steekt altijd of de machine uitgeschakeld is.
- De aan/uit-schakelaar kan worden vergrendeld in de aan-stand ten behoeve van het gebruikersgemak bij langdurig gebruik. Wees voorzichtig wanneer het gereedschap in de aan-stand is vergrendeld en houd het gereedschap stevig vast.

Om het gereedschap in te schakelen, drukt u aan de linkerkant van het gereedschap op "ON (I)" van de schakelaar. Om het gereedschap uit te schakelen, drukt u aan de rechterkant van het gereedschap op "OFF (O)" van de schakelaar.

De slagsnelheid veranderen (zie afb. 2)

Het aantal slagen per minuut kan worden ingesteld door de stelknop te draaien. Dit kan zelfs worden gedaan terwijl het gereedschap wordt gebruikt. De stelknop is gemerkt van 1 (laagste snelheid) tot 5 (volle snelheid). Raadpleeg onderstaande tabel voor het aantal slagen per minuut in iedere stand van de stelknop.

Cijfer op stelknop	Aantal slagen/minuut
5	1.450
4	1.350
3	1.150
2	800
1	730

Alleen voor de modellen HM1317C en HM1317CB

OPMERKING:

- Het aantal slagen per minuut in onbelaste toestand is lager dan in belaste toestand om de trillingen in onbelaste toestand te verlagen. Dit duidt echter niet op een defect. Zodra de bit het beton raakt, neemt het aantal slagen per minuut toe tot het aantal slagen aangegeven in de tabel. Bij lage temperatuur wanneer

het vet minder vloeibaar is, is het mogelijk dat deze functie niet werkt ondanks dat de motor draait.

LET OP:

- U kunt de stelknop alleen tot aan het cijfer 5 draaien en terug naar 1. Forceer de schijf niet voorbij de 5 of de 1 omdat de snelheidsregeling daardoor onklaar raakt.

Lampjes (zie afb. 3)

Het groene bedrijfslampje brandt wanneer het gereedschap van stroom wordt voorzien. Als het lampje niet brandt, kan het netsnoer beschadigd zijn of een storing zijn opgetreden in de controller. Als het lampje brandt, maar het gereedschap niet start, zelfs niet wanneer de schakelaar in de aan-stand wordt gezet, kunnen de koolborstels versleten zijn, of kan een storing zijn opgetreden in de motor, de controller of de aan/uitschakelaar.

Het rode onderhoudslampje gaat knipperen zodra de koolborstels bijna versleten zijn, om aan te geven dat de machine moet worden onderhouden. Na ongeveer 8 uur gebruik, stopt de motor automatisch.

ONDERDELEN AANBRENGEN/ VERWIJDEREN

LET OP:

- Controleer altijd of het gereedschap is uitgeschakeld en de stekker uit het stopcontact is getrokken alvorens enige werk aan het gereedschap uit te voeren.

Zijhandgreep (hulphandgreep) (zie afb. 4)

De zijhandgreep kan over 360° om de verticale as worden verdraaid in om het even welke gewenste stand. Draai de klemmoer los om de handgreep in de gewenste stand te brengen. Draai daarna de klemmoer weer stevig vast.

Het bit aanbrengen en verwijderen

Alleen voor de modellen HM1307C en HM1317C (zie afb. 5)

Houd het bit met de uitsparing op de schacht naar de bitklem gericht en steek het bit zo ver mogelijk in de bithouder. Trek vervolgens de bitklem naar buiten en draai deze 180° om het bit te vergrendelen. Controleer na het aanbrengen altijd of het bit stevig in het gereedschap is bevestigd door te proberen deze eruit te trekken.

Alleen voor de modellen HM1307CB en HM1317CB (zie afb. 6)

Op dit gereedschap passen bits met en zonder een kraag op de schacht van het bit.

(1) Voor bits met een kraag (zie afb. 7)

Om het bit in het gereedschap aan te brengen, volgt u de hieronder beschreven procedure (1) of (2).

Kantel de bitklem achterover en iets omlaag. Steek het bit zo ver mogelijk in de bithouder. Zet de bitklem terug in zijn oorspronkelijke stand om het bit in de bithouder te vergrendelen.

LET OP:

- Controleer altijd of het bit stevig vergrendeld is door te proberen het bit uit de bithouder te trekken nadat u de bovenstaande procedure hebt gevolgd.

(2) Voor bits zonder een kraag (zie afb. 8)

Kantel de bitklem voorover en iets omlaag. Houd het bit met de uitsparing op de schacht naar de as van de bitklem gericht en steek het bit zo ver mogelijk in de bithouder. Kantel vervolgens de bitklem verder omlaag naar de loop van het gereedschap om het bit in de bithouder te vergrendelen.

LET OP:

- Controleer altijd of het bit stevig vergrendeld is door te proberen het bit uit de bithouder te trekken nadat u de bovenstaande procedure hebt gevolgd.
- Een bit zonder kraag kan niet worden vergrendeld met de procedure aangegeven in afbeelding 7.

Om het bit te verwijderen volgt u de procedure voor het aanbrengen in de omgekeerde volgorde.

BEDRIJF

Beitelen, bikken en slopen (zie afb. 9)

Gebruik altijd de zijhandgreep (hulphandgreep) en houd het gereedschap tijdens gebruik stevig vast aan zowel de zijhandgreep als de hoofdhandgreep. Schakel het gereedschap in en oefen er enige kracht op uit zodat het gereedschap niet oncontroleerbaar in het rond springt. Het gereedschap werkt niet efficiënter als u grote druk op het gereedschap uitoefent.

ONDERHOUD

LET OP:

- Zorg er altijd voor dat het gereedschap is uitgeschakeld en de stekker uit het stopcontact is getrokken, voordat u een inspectie of onderhoud uitvoert.

Smeren

LET OP:

- Dit onderhoud mag alleen worden uitgevoerd door een door een erkend Makita-servicecentrum of de Makita-fabriek.

Het is niet nodig dit gereedschap iedere uur of iedere dag te smeren omdat het is uitgerust met een gesloten smeersysteem. Wij adviseren u echter het vet regelmatig te verversen voor een langere levensduur van het gereedschap.

Schakel eerst het gereedschap uit en trek de stekker uit het stopcontact.

Alleen voor de modellen HM1307C en HM1307CB (zie afb. 10)

Verwijder de zes inbusbouten met behulp van de inbusleutel en verwijder de achterkap (zie afb. 11).

Trek de krukafdekking eraf in de richting van de pijl en verwijder deze (zie afb. 12).

Vul daarna nieuw vet bij (60 g). Gebruik uitsluitend Makita-hamervet (los verkrijgbaar). Als u meer dan de aangegeven hoeveelheid vet bijvult (ong. 60 g), kan dit leiden tot een verkeerde hamerwerking of een defect van het gereedschap. Vul niet meer dan de aangegeven hoeveelheid vet bij.

Om het gereedschap weer in elkaar te zetten, volgt u de demontageprocedure in omgekeerde volgorde.

Alleen voor de modellen HM1317C en HM1317CB (zie afb. 13)

Verwijder de zes inbusbouten met behulp van de inbusleutel en verwijder de achterkap (zie afb. 14). Trek het deksel van de krukafdekking eraf in de richting van de pijl en verwijder deze (zie afb. 15). Vul daarna nieuw vet bij (60 g). Gebruik uitsluitend Makita-hamervet (los verkrijgbaar). Als u meer dan de aangegeven hoeveelheid vet bijvult (ong. 60 g), kan dit leiden tot een verkeerde hamerwerking of een defect van het gereedschap. Vul niet meer dan de aangegeven hoeveelheid vet bij.

Om het gereedschap weer in elkaar te zetten, volgt u de demontageprocedure in omgekeerde volgorde.

LET OP:

- Wees voorzichtig de koolborstelhouder en de koolborstels niet te beschadigen, met name bij het aanbrengen van de achterkap.
- Gebruik de zes inbusbouten niet opnieuw maar gebruik nieuwe, aangezien de bouten met kleefmiddel werden gemonteerd.

Om de VEILIGHEID en BETROUWBAARHEID van het gereedschap te handhaven, dienen alle reparaties, onderhoud en afstellingen te worden uitgevoerd door een erkend Makita-servicecentrum, en altijd met gebruikmaking van originele Makita-ervangingsonderdelen.

ACCESSOIRES

LET OP:

- Deze accessoires of hulpstukken worden aanbevolen voor gebruik met het Makita-gereedschap dat in deze gebruiksaanwijzing wordt beschreven. Het gebruik van andere accessoires of hulpstukken kan gevaar voor persoonlijk letsel opleveren. Gebruik de accessoires of hulpstukken uitsluitend voor de aangegeven gebruiksdoeleinden.

Mocht u meer informatie willen hebben over deze accessoires, dan kunt u contact opnemen met uw plaatselijke Makita-servicecentrum.

- Ronde boor
- Koudbeitel
- Bikbeitel
- Steenblad
- Ram
- Hamervet
- Veiligheidsbril
- Kunststoffen draagdoos

Voor model HM1307C

Alleen voor Europese landen

Geluid

ENG102-2

De typische, A-gewogen geluidsniveaus zijn gemeten volgens EN60745:

Geluidsdrukniveau (L_{pA}): 81 dB (A)

Geluidsvermogeniveau (L_{WA}): 101 dB (A)

Onzekerheid (K): 3 dB (A)

Draag gehoorbescherming.

Trilling ENG216-2

De totale trillingswaarde (triaxiale vectorsom) zoals vastgesteld volgens EN60745:

Gebruikstoepassing: beetelfunctie met zijhandgreep

Trillingsemissie ($a_{h,CHeg}$): 12,5 m/s²

Onzekerheid (K): 2,0 m/s²

Voor model HM1307CB**Alleen voor Europese landen****Geluid** ENG102-2

De typische, A-gewogen geluidsniveaus zijn gemeten volgens EN60745:

Geluidsdruk niveau (L_{pA}): 81 dB (A)

Geluidsvermogen niveau (L_{wA}): 101 dB (A)

Onzekerheid (K): 3 dB (A)

Draag gehoorbescherming.**Trilling** ENG216-2

De totale trillingswaarde (triaxiale vectorsom) zoals vastgesteld volgens EN60745:

Gebruikstoepassing: beetelfunctie met zijhandgreep

Trillingsemissie ($a_{h,CHeg}$): 12,0 m/s²

Onzekerheid (K): 1,5 m/s²

Voor model HM1317C**Alleen voor Europese landen****Geluid** ENG102-2

De typische, A-gewogen geluidsniveaus zijn gemeten volgens EN60745:

Geluidsdruk niveau (L_{pA}): 81 dB (A)

Geluidsvermogen niveau (L_{wA}): 101 dB (A)

Onzekerheid (K): 3 dB (A)

Draag gehoorbescherming.**Trilling** ENG216-2

De totale trillingswaarde (tri-axiale vectorsom) gemeten volgens EN60745:

Gebruikstoepassing: beetelfunctie met zijhandgreep

Trillingsemissie ($a_{h,CHeg}$): 8,5 m/s²

Onzekerheid (K): 1,5 m/s²

Voor model HM1317CB**Alleen voor Europese landen****Geluid** ENG102-2

De typische, A-gewogen geluidsniveaus zijn gemeten volgens EN60745:

Geluidsdruk niveau (L_{pA}): 81 dB (A)

Geluidsvermogen niveau (L_{wA}): 101 dB (A)

Onzekerheid (K): 3 dB (A)

Draag gehoorbescherming.**Trilling** ENG216-2

De totale trillingswaarde (triaxiale vectorsom) zoals vastgesteld volgens EN60745:

Gebruikstoepassing: beetelfunctie met zijhandgreep

Trillingsemissie ($a_{h,CHeg}$): 7,0 m/s²

Onzekerheid (K): 1,5 m/s²

EU-verklaring van conformiteit ENH213-1

Wij, Makita Corporation, als de verantwoordelijke fabrikant, verklaren dat de volgende Makita-machine(s):

Aanduiding van de machine:

Elektrisch breekhamer

Modelnr./Type:

HM1307C, HM1307CB, HM1317C, HM1317CB

in serie zijn geproduceerd en

Voldoen aan de volgende Europese richtlijnen:

2000/14/EC en 98/37/EC tot en met 28 december

2009 en daarna aan 2006/42/EC vanaf 29 december 2009

En zijn gefabriceerd in overeenstemming met de volgende normen of genormaliseerde documenten:

EN60745

De technische documentatie wordt bewaard door onze erkende vertegenwoordiger in Europa, te weten:

Makita International Europe Ltd.,

Michigan Drive, Tongwell,

Milton Keynes, MK15 8JD, Engeland

De conformiteitsbeoordelingsprocedure vereist door Richtlijn 2000/14/EC was is Overeenstemming met annex VIII.

Instantie:

TÜV Rheinland Product Safety GmbH, identificatienr. 0197

Model HM1307C

Gemeten geluidsvermogen niveau: 101 dB

Gegarandeerd geluidsvermogen niveau: 103 dB

Model HM1307CB

Gemeten geluidsvermogen niveau: 101 dB

Gegarandeerd geluidsvermogen niveau: 104 dB

Model HM1317C

Gemeten geluidsvermogen niveau: 101 dB

Gegarandeerd geluidsvermogen niveau: 103 dB

Model HM1317CB

Gemeten geluidsvermogen niveau: 101 dB

Gegarandeerd geluidsvermogen niveau: 104 dB

8 april 2009



Tomoyasu Kato

Directeur

Makita Corporation

3-11-8, Sumiyoshi-cho,

Anjo, Aichi, JAPAN

Explicación de los dibujos

- | | | |
|--|--------------------------------------|-------------------------------------|
| 1. Palanca del interruptor | 7. Empuñadura lateral | 14. Cuando la barrena está retenida |
| 2. Dial de ajuste | 8. Barrena | 15. Cubierta trasera |
| 3. Luz indicadora de encendido (verde) | 9. Retén de la herramienta | 16. Llave hexagonal |
| 4. Luz indicadora de servicio (roja) | 10. Portaherramientas | 17. Tapa del cárter |
| 5. Perno de fijación | 11. Barrena con collar | 18. Grasa para martillo |
| 6. Tuerca | 12. Barrena sin collar | 19. Cubierta de la tapa del cárter |
| | 13. Cuando la barrena está insertada | |

ESPECIFICACIONES

Modelo	HM1317C	HM1307C	HM1317CB	HM1307CB
Golpes por minuto	730 - 1.450			
Longitud total	715 mm		824 mm	
Peso neto	17,0 kg	15,3 kg	19,0 kg	17,3 kg
Clase de seguridad	II/II			

- Debido a nuestro programa continuo de investigación y desarrollo, las especificaciones aquí descritas están sujetas a cambios sin previo aviso.
- Las especificaciones pueden ser diferentes de un país a otro.
- Peso de acuerdo con el procedimiento EPTA 01/2003

Uso previsto

ENE045-1

Esta herramienta está diseñada para trabajos de cincelado de hormigón, ladrillo, piedra y asfalto así como para perforar y compactar con los accesorios adecuados.

Alimentación

ENF002-1

La herramienta debe conectarse solamente a una fuente de alimentación de la misma tensión que la indicada en la placa de características, y sólo puede funcionar con corriente alterna monofásica. El sistema de doble aislamiento de la herramienta cumple con las normas europeas y puede, por lo tanto, usarse también en tomacorrientes sin conductor de tierra.

ADVERTENCIAS DE SEGURIDAD DEL MARTILLO

GEB004-6

- Utilice protectores para los oídos.** La exposición al ruido puede producir pérdida auditiva.
- Utilice las empuñaduras auxiliares proporcionadas con la herramienta.** La pérdida de control puede ocasionar daños corporales.
- Sujete la herramienta eléctrica por las superficies de agarre aisladas al realizar una operación en que el accesorio de corte pueda entrar en contacto con cables ocultos o con su propio cable.** Si entra en contacto con un cable con corriente, puede que las piezas metálicas expuestas de la herramienta eléctrica se carguen también de corriente y que el operario reciba una descarga.
- Póngase un casco de seguridad, gafas de seguridad y/o una careta protectora. Las gafas normales o de sol NO son gafas de seguridad. También se recomienda encarecidamente que utilice una mascarilla antipolvo y guantes gruesos acolchados.**
- Asegúrese de que la barrena esté firmemente sujeta en su lugar antes del uso.**
- En condiciones normales de funcionamiento, la herramienta está diseñada para producir vibraciones. Los tornillos pueden aflojarse fácilmente, con lo cual se puede averiar la herramienta o puede producirse un accidente. Compruebe que los tornillos estén bien apretados antes del uso.**
- Si hace frío o la herramienta no se ha utilizado durante un periodo prolongado, deje que se caliente la herramienta poniéndola en marcha en vacío. De este modo se facilitará la lubricación. Si no se calienta adecuadamente, se dificultará el martilleo.**
- Colóquese siempre en una posición bien equilibrada. Si utiliza la herramienta en una ubicación elevada, asegúrese de que nadie se encuentre debajo.**
- Sujete firmemente la herramienta con ambas manos.**
- Mantenga las manos alejadas de las piezas móviles.**
- No deje la herramienta encendida. Póngala en marcha solamente cuando la tenga en las manos.**
- No apunte la herramienta hacia ninguna persona que se encuentre en la zona durante su uso. La barrena podría salir disparada y herir gravemente a alguien.**
- No toque la barrena ni las piezas cercanas a ésta inmediatamente después de que hayan estado en funcionamiento; pueden estar extremadamente calientes y producir quemaduras en la piel.**
- No utilice la herramienta en vacío innecesariamente.**
- Algunos materiales contienen sustancias químicas que pueden ser tóxicas. Procure evitar la**

inhalación de polvo y el contacto con la piel. Siga los datos de seguridad del proveedor del material.

GUARDE ESTAS INSTRUCCIONES.

ADVERTENCIA:

No deje que la comodidad o la familiaridad con el producto (a base de utilizarlo repetidamente) sustituya la estricta observancia de las normas de seguridad del producto en cuestión. El MAL USO o la no observancia de las normas de seguridad expuestas en este manual de instrucciones pueden ocasionar graves daños corporales.

DESCRIPCIÓN DEL FUNCIONAMIENTO

PRECAUCIÓN:

- Asegúrese siempre de que la herramienta esté apagada y desenchufada antes de intentar realizar cualquier tipo de ajuste o comprobación en ella.

Accionamiento del interruptor (Fig. 1)

PRECAUCIÓN:

- Antes de enchufar la herramienta, asegúrese de que está apagada.
- El interruptor se puede bloquear en la posición "ON" para aumentar la comodidad del operario durante el uso prolongado. Tenga cuidado cuando bloquee la herramienta en la posición "ON" (Encendido) y sujete la herramienta firmemente.

Para poner en marcha la herramienta, empuje la palanca hasta el interruptor "ON (I)" del lado izquierdo de la herramienta. Para detener la herramienta empuje la palanca del interruptor hasta la posición "OFF (O)" del lado derecho de la herramienta.

Cambio de velocidad (Fig. 2)

El número de golpes por minuto puede ajustarse girando el dial de regulación. Se puede hacer incluso mientras la herramienta está funcionando. El dial está marcado del 1 (velocidad mínima) al 5 (velocidad máxima).

Consulte la siguiente tabla para obtener información sobre la relación entre los números del dial y el número de golpes por minuto.

Número del dial de ajuste	Golpes por minuto
5	1.450
4	1.350
3	1.150
2	800
1	730

Para los modelos HM1317C y HM1317CB sólo

NOTA:

- El número de golpes por minuto sin carga es inferior al número de golpes con carga para reducir la vibración cuando no hay ninguna carga, sin embargo esto no indica ningún problema. Cuando se inicien las operaciones con una barrena contra hormigón, los golpes por minuto aumentarán y alcanzarán los

números que se muestran en la tabla. Cuando la temperatura sea baja y la grasa sea menos fluida, es posible que la herramienta no tenga esta función aunque gire el motor.

PRECAUCIÓN:

- El dial de ajuste puede girarse hasta 5 y de vuelta hasta 1 solamente. No lo fuerce más allá de 5 ó 1, o la función de ajuste de velocidad podrá dejar de funcionar.

Luz indicadora (Fig. 3)

La luz indicadora verde de encendido (ON) se enciende cuando se enchufa la herramienta. Si la luz indicadora no se enciende, puede que el cable de la corriente o el controlador estén averiados. Si la luz indicadora está encendida, pero la herramienta no se pone en marcha aunque esté encendida, puede que las escobillas de carbón estén desgastadas o que el controlador, el motor o el interruptor de encendido y apagado estén averiados. Cuando las escobillas están a punto de desgastarse por completo, la luz indicadora de servicio roja se iluminará de forma intermitente para indicar que es necesario revisar la herramienta. Al cabo de aproximadamente 8 horas de servicio, el motor se apagará automáticamente.

MONTAJE

PRECAUCIÓN:

- Asegúrese siempre de que la herramienta esté apagada y desenchufada antes de intentar realizar cualquier trabajo en ella.

Empuñadura lateral (empuñadura auxiliar) (Fig. 4)

La empuñadura lateral puede girarse 360° en el plano vertical y fijarse en cualquier posición. Para colocar la empuñadura en la posición deseada, afloje la tuerca de fijación. A continuación vuelva a apretar la tuerca de fijación con firmeza.

Instalación o extracción de la barrena

Para los modelos HM1307C y HM1317C sólo (Fig. 5)

Colocando la parte con muesca del vástago de cara al retén de la herramienta, inserte la barrena en el portaherramientas hasta el tope. A continuación tire del retén de la herramienta y gírelo 180° para fijar la barrena. Después de la instalación, asegúrese siempre de que la barrena esté bien sujeta en su lugar; para ello, intente sacarla.

Para los modelos HM1307CB y HM1317CB sólo (Fig. 6)

Esta herramienta admite barrenas con o sin collar en el vástago.

(1) Para barrenas con collar (Fig. 7)

Para instalar la barrena, siga el procedimiento (1) o (2) descrito abajo.

Pivote el retén de herramientas hacia atrás y ligeramente hacia abajo. Inserte la barrena en el portaherramientas hasta el tope. Para retener bien la barrena, vuelva a colocar el retén de herramientas en su posición original.

PRECAUCIÓN:

- Asegúrese siempre de que la barrena esté bien retenida intentado sacarla del portaherramientas después de finalizar el procedimiento anterior.

(2) Para barrenas sin collar (Fig. 8)

Pivote el retén de herramientas hacia delante y ligeramente hacia abajo. Colocando la parte con muesca de la barrena de cara al eje del retén de herramientas, inserte la barrena en el portaherramientas hasta el tope. A continuación, pivote el retén de herramientas más abajo hacia el tambor para retener firmemente la barrena.

PRECAUCIÓN:

- Asegúrese siempre de que la barrena esté bien retenida intentado sacarla del portaherramientas después de finalizar el procedimiento anterior.
- Una barrena sin collar no se puede retener utilizando el método indicado en la Fig. 7.

Para extraer la barrena, siga el procedimiento de instalación en orden inverso.

ACCIONAMIENTO

Cinzelado/desincrustación/demolición (Fig. 9)

Utilice siempre la empuñadura lateral (mango auxiliar) y sujete firmemente la herramienta por la empuñadura lateral y la empuñadura del interruptor cuando la utilice. Encienda la herramienta y aplique una ligera presión sobre ella para evitar que rebote sin control. Apretar demasiado la herramienta no aumenta la eficacia.

MANTENIMIENTO

PRECAUCIÓN:

- Asegúrese siempre de que la herramienta esté apagada y desenchufada antes de intentar realizar cualquier trabajo de inspección o mantenimiento en ella.

Lubricación

PRECAUCIÓN:

- Las intervenciones deben ser realizadas únicamente por un centro autorizado o un centro de servicio técnico de Makita.

Esta herramienta no requiere lubricación por horas ni diaria, porque tiene un sistema de lubricación constante con grasa. No obstante, se recomienda sustituir periódicamente la grasa para lograr una mayor duración de la herramienta.

En primer lugar, apague y desenchufe la herramienta.

Para los modelos HM1307C y HM1307CB sólo (Fig. 10)

Extraiga los seis tornillos mediante una llave hexagonal y extraiga la cubierta posterior. (Fig. 11)

Tire de la tapa del cárter en la dirección de la flecha y extraígalas. (Fig. 12)

A continuación rellene con grasa nueva (60 g). Utilice sólo grasa original Makita para martillos (accesorio opcional). Si se añade más grasa de la especificada (aprox. 60 g; 2 oz), puede que haya problemas en el martilleo o que se

averíe la herramienta. Añada sólo la cantidad especificada de grasa.

Para volver a montar la herramienta, siga el procedimiento de desmontaje en orden inverso.

Para los modelos HM1317C y HM1317CB sólo (Fig. 13)

Extraiga los seis tornillos mediante una llave hexagonal y extraiga la cubierta posterior. (Fig. 14)

Tire de la cubierta de la tapa del cárter en la dirección de la flecha y extraígalas. (Fig. 15)

A continuación rellene con grasa nueva (60 g). Utilice sólo grasa original Makita para martillos (accesorio opcional). Si se añade más grasa de la especificada (aprox. 60 g; 2 oz), puede que haya problemas en el martilleo o que se averíe la herramienta. Añada sólo la cantidad especificada de grasa.

Para volver a montar la herramienta, siga el procedimiento de desmontaje en orden inverso.

PRECAUCIÓN:

- Tenga cuidado de no dañar la unidad portaescobillas y las escobillas de carbón especialmente al instalar la cubierta posterior.
- No reutilice los seis pernos, utilice pernos nuevos para el montaje, ya que a esos pernos se les aplica adhesivo.

Para conservar la SEGURIDAD y la FIABILIDAD del producto, los trabajos de reparación y otros trabajos de mantenimiento y ajuste deberán ser realizados en centros de servicio autorizados de Makita, utilizando siempre repuestos Makita.

ACCESORIOS

PRECAUCIÓN:

- Se recomienda el uso de estos accesorios o complementos con la herramienta Makita especificada en este manual. El uso de otros accesorios o complementos puede conllevar el riesgo de ocasionar daños corporales. Utilice los accesorios o complementos solamente para su fin establecido.

Si necesita cualquier ayuda para obtener más información relativa a estos accesorios, pregunte al centro de servicio Makita local

- Puntero
- Cortafríos
- Cinzel de desincrustación
- Pala para arcilla
- Pisón
- Grasa para martillo
- Gafas de seguridad
- Maletín de plástico para el transporte

Para el modelo HM1307C

Sólo para los países europeos

Ruido

ENG102-2

Niveles típicos de ruido ponderado A determinados conforme a EN60745:

Nivel de presión de sonido (L_{pA}): 81 dB (A)

Nivel de potencia de sonido (L_{WA}): 101 dB (A)

Incertidumbre (K): 3 dB (A)

Utilice protección para los oídos.

Vibración ENG216-2

Valor total de la vibración (suma de vectores triaxiales) determinada según el estándar EN60745:

- Modo de trabajo: función de desincrustación con empuñadura lateral
- Emisión de vibraciones ($a_{h,CHeg}$): 12,5 m/s²
- Incertidumbre (K): 2,0 m/s²

Para el modelo HM1307CB**Sólo para los países europeos****Ruido** ENG102-2

Niveles típicos de ruido ponderado A determinados conforme a EN60745:

- Nivel de presión de sonido (L_{pA}): 81 dB (A)
- Nivel de potencia de sonido (L_{WA}): 101 dB (A)
- Incertidumbre (K): 3 dB (A)

Utilice protección para los oídos.**Vibración** ENG216-2

Valor total de la vibración (suma de vectores triaxiales) determinada según el estándar EN60745:

- Modo de trabajo: función de desincrustación con empuñadura lateral
- Emisión de vibraciones ($a_{h,CHeg}$): 12,0 m/s²
- Incertidumbre (K): 1,5 m/s²

Para el modelo HM1317C**Sólo para los países europeos****Ruido** ENG102-2

Niveles típicos de ruido ponderado A determinados conforme a EN60745:

- Nivel de presión de sonido (L_{pA}): 81 dB (A)
- Nivel de potencia de sonido (L_{WA}): 101 dB (A)
- Incertidumbre (K): 3 dB (A)

Utilice protección para los oídos.**Vibración** ENG216-2

El valor total de las vibraciones (suma de vectores triaxiales) determinado conforme a EN60745:

- Modo de trabajo: función de desincrustación con empuñadura lateral
- Emisión de vibraciones ($a_{h,CHeg}$): 8,5 m/s²
- Incertidumbre (K): 1,5 m/s²

Para el modelo HM1317CB**Sólo para los países europeos****Ruido** ENG102-2

Niveles típicos de ruido ponderado A determinados conforme a EN60745:

- Nivel de presión de sonido (L_{pA}): 81 dB (A)
- Nivel de potencia de sonido (L_{WA}): 101 dB (A)
- Incertidumbre (K): 3 dB (A)

Utilice protección para los oídos.**Vibración** ENG216-2

Valor total de la vibración (suma de vectores triaxiales) determinada según el estándar EN60745:

- Modo de trabajo: función de desincrustación con empuñadura lateral
- Emisión de vibraciones ($a_{h,CHeg}$): 7,0 m/s²
- Incertidumbre (K): 1,5 m/s²

Declaración de conformidad de la CE ENH213-1

Nosotros, Makita Corporation, en calidad de fabricante responsable, declaramos que las siguientes máquinas Makita:

Designación de la máquina:
 Demoledor eléctrico
 N° de modelo Tipo:
 HM1307C, HM1307CB, HM1317C, HM1317CB
 son de producción serie y

Cumplen con las siguientes Directivas europeas:

2000/14/EC, 98/37/EC hasta el 28 de diciembre de 2009 y después con 2006/42/EC desde el 29 de diciembre de 2009

Y se han fabricado de acuerdo con los siguientes estándares o documentos estandarizados:

EN60745

La documentación técnica la conserva nuestro representante autorizado en Europa, que es:

Makita International Europe Ltd.,
 Michigan, Drive, Tongwell,
 Milton Keynes, MK15 8JD, Inglaterra

El procedimiento de evaluación de conformidad requerido por la Directiva 2000/14/EC se realizó de acuerdo con el anexo VIII.

Organismo notificado:

TÜV Rheinland Product Safety GmbH, n° de identificación 0197

Modelo HM1307C

Nivel de potencia sonora medido: 101 dB
 Nivel de potencia sonora garantizado: 103 dB

Modelo HM1307CB

Nivel de potencia sonora medido: 101 dB
 Nivel de potencia sonora garantizado: 104 dB

Modelo HM1317C

Nivel de potencia sonora medido: 101 dB
 Nivel de potencia sonora garantizado: 103 dB

Modelo HM1317CB

Nivel de potencia sonora medido: 101 dB
 Nivel de potencia sonora garantizado: 104 dB

8 de abril de 2009



Tomoyasu Kato
 Director

Makita Corporation
 3-11-8, Sumiyoshi-cho,
 Anjo, Aichi, JAPAN

Descrição geral

- | | | |
|---|---------------------------|------------------------------------|
| 1. Alavanca do interruptor | 6. Porca | 13. Com a broca colocada |
| 2. Manípulo de ajuste | 7. Pega lateral | 14. Com a broca presa |
| 3. Lâmpada de indicação de ligado (verde) | 8. Broca | 15. Tampa posterior |
| 4. Lâmpada de indicação de serviço (vermelho) | 9. Retentor da ferramenta | 16. Chave sextavada |
| 5. Parafuso de regulação | 10. Suporte da ferramenta | 17. Tampa da manivela |
| | 11. Broca com anel | 18. Lubrificante para o martelo |
| | 12. Broca sem anel | 19. Cobertura da tampa da manivela |

ESPECIFICAÇÕES

Modelo	HM1317C	HM1307C	HM1317CB	HM1307CB
Sopros por minuto	730 - 1.450			
Comprimento total	715 mm		824 mm	
Peso líquido	17,0 kg	15,3 kg	19,0 kg	17,3 kg
Classe de segurança	II/II			

- Devido à pesquisa e desenvolvimento constantes, estas especificações estão sujeitas a alteração sem aviso prévio.
- Estas especificações podem diferir de país para país.
- Peso de acordo com procedimento EPTA de 01/2003

Utilização prevista ENE045-1

Esta ferramenta destina-se a trabalhos de cinzelamento em cimento, tijolo, pedra e asfalto, bem como para accionar e compactar utilizando acessórios adequados.

Fonte de alimentação ENF002-1

A ferramenta apenas deve ser ligada a uma fonte de alimentação da mesma tensão que a indicada na chapa de especificações, e apenas pode funcionar com uma alimentação CA monofásica. Estão blindadas duplamente, de acordo com a Norma Europeia e podem, assim, ser igualmente ligadas a tomadas sem fio terra.

AVISOS DE SEGURANÇA DO MARTELO

GEB004-6

1. **Use protecção para os ouvidos.** A exposição ao ruído pode provocar a perda de audição.
2. **Utilize a(s) pega(s) auxiliar(es) fornecida(s) com a ferramenta.** A perda de controlo pode provocar ferimentos pessoais.
3. **Quando executar operações em que acessórios de corte possam entrar em contacto com fios eléctricos ocultos ou com próprio cabo eléctrico da ferramenta, tenha o cuidado de tocar apenas nas superfícies isoladas desses acessórios.** O acessório de corte em contacto com um fio eléctrico ligado à corrente pode electrificar as peças de metal da ferramenta e provocar um choque.
4. **Use um capacete de segurança, óculos de protecção e/ou visor de protecção.** Os óculos normais ou óculos de sol **NÃO** são óculos de segurança. É igualmente recomendável que use uma máscara de pó e luvas forradas grossas.
5. **Certifique-se que a broca fixa no lugar antes de a utilizar.**
6. **Em funcionamento normal, a ferramenta está concebida para produzir vibrações. Os parafusos**

- podem soltar-se facilmente, podendo provocar danos ou um acidente. Verifique se os parafusos estão bem apertados antes de utilizar o aparelho.**
7. **Em tempo frio ou quando a ferramenta não for usada durante muito tempo, deixe-a arrefecer durante um bocado antes de a utilizar sem carga. Isto melhora a lubrificação. Sem um arrefecimento correcto, o processo de martelagem pode tornar-se difícil.**
 8. **Procure uma posição em pé estável e firme. Se utilizar a ferramenta em locais altos, verifique se não há ninguém por baixo.**
 9. **Segure a ferramenta com firmeza, com as duas mãos.**
 10. **Afaste as mãos das peças em movimento.**
 11. **Não abandone a ferramenta a funcionar. Ponha-a a funcionar apenas quando estiver a segurá-la.**
 12. **Não aponte a ferramenta a ninguém quando a estiver a utilizar. A broca pode soltar-se e ferir alguém seriamente.**
 13. **Não toque numa broca nem nos seus componentes logo após a operação porque podem estar demasiado quentes.**
 14. **Não utilize a ferramenta sem carga, sem ser necessário.**
 15. **Alguns materiais contêm químicos que podem ser tóxicos. Tenha cuidado para evitar a inalação e o contacto da pele com o pó produzido. Obedeça às instruções de segurança do fornecedor do material.**

GUARDE ESTAS INSTRUÇÕES.

AVISO:
NÃO deixe que o progressivo à vontade com o produto (resultante de uma utilização frequente) o faça esquecer o estrito cumprimento das regras de segurança de utilização do produto.

A UTILIZAÇÃO INCORRECTA ou o não cumprimento das regras de segurança fornecidas neste manual de instruções podem provocar ferimentos graves.

DESCRIÇÃO DO FUNCIONAMENTO

PRECAUÇÃO:

- Certifique-se sempre de que a ferramenta está desligada no interruptor e da tomada antes de proceder a ajustes ou testes à mesma.

Ação do interruptor (Fig. 1)

PRECAUÇÃO:

- Antes de inserir a ficha da ferramenta na tomada, nunca se esqueça de verificar se a ferramenta está desligada.
- O interruptor pode ser bloqueado na posição "ON" para um maior conforto do operador durante uma utilização prolongada. Tenha cuidado quando bloquear a ferramenta na posição "ON" e segure bem a ferramenta.

Para ligar a ferramenta, empurre a alavanca do interruptor para "ON (I)" no lado esquerdo da ferramenta. Para desligar a ferramenta, empurre a alavanca do interruptor para "OFF (O)" no lado direito da ferramenta.

Alteração da velocidade (Fig. 2)

Os sopros por minuto podem ser ajustados rodando o manípulo de ajuste. Isto pode ser feito mesmo com a ferramenta em funcionamento. O manípulo está marcado de 1 (velocidade mínima) a 5 (velocidade máxima). Consulte a tabela em baixo para a verificar a relação entre a definição dos números no manípulo de regulação e os sopros por minuto.

Número no manípulo de ajuste	Sopros por minuto
5	1.450
4	1.350
3	1.150
2	800
1	730

Apenas para os modelos HM1317C, HM1317CB

NOTA:

- Os impactos em sem carga por minuto tornam-se mais pequenos do que aqueles com carga, para reduzir as vibrações no modo sem carga, mas tal não significa uma avaria. Assim que o funcionamento inicia com uma broca contra o cimento, os sopros por minuto aumentam e atingem os números como mostrado na tabela. Quando a temperatura está baixa e existe menos fluidez na massa lubrificante, a ferramenta pode não ter esta função, mesmo com o motor a rodar.

PRECAUÇÃO:

- O manípulo de regulação apenas pode ser rodado até 5 ou 1. Não o force para lá de 5 ou 1, caso contrário a função de regulação da velocidade poderá deixar de funcionar.

Lâmpada indicadora (Fig. 3)

A lâmpada indicadora verde de alimentação ligada, acende-se quando a ferramenta é ligada à tomada. Se a lâmpada indicadora não se acender, o cabo de alimentação ou controlador podem estar avariados. Se a lâmpada indicadora se acender mas a ferramenta não se iniciar, mesmo que a ferramenta seja ligada, as escovas de carvão poderão estar gastas ou o motor ou interruptor podem estar avariados.

A lâmpada vermelha indicadora de serviço pisca quando as escovas de carvão estão quase gastas, para indicar que a ferramenta precisa de manutenção. Depois de aproximadamente 8 horas de uso, o motor desliga-se automaticamente.

MONTAGEM

PRECAUÇÃO:

- Certifique-se sempre de que a ferramenta está desligada no interruptor e da tomada antes de efectuar qualquer trabalho na mesma.

Pega lateral (pega auxiliar) (Fig. 4)

A pega lateral pode ser movimentada a 360° na vertical e assegurar qualquer posição desejada. Solte a porca de fixação para movimentar a pega lateral para a posição que pretender. Depois aperte a porca de fixação com segurança.

Instalar ou retirar a broca

Apenas para os modelos HM1307C, HM1317C (Fig. 5)

Com a parte ranhurada na haste da broca virada para o retentor da ferramenta, introduza a broca no suporte da ferramenta o mais que puder para dentro. De seguida, puxe e rode o retentor da ferramenta 180° para fixar a broca. Após instalar, certifique-se sempre de que a broca está bem fixa, tentando puxá-la para fora.

Apenas para os modelos HM1307CB, HM1317CB

(Fig. 6)

Esta ferramenta aceita brocas com ou sem anel na haste.

(1) Brocas com anel (Fig. 7)

Para instalar a broca, siga o procedimento (1) ou (2) descrito abaixo.

Rode o retentor da ferramenta para trás e ligeiramente para baixo. Introduza a broca no suporte da ferramenta empurrando-a para dentro até onde puder. Para prender a broca com segurança, volte a colocar o retentor na posição original.

PRECAUÇÃO:

- Depois de concluir as operações descritas acima, verifique sempre se a broca está bem presa tentando puxá-la para fora do suporte da ferramenta.

(2) Brocas sem anel (Fig. 8)

Rode o retentor da ferramenta para a frente e ligeiramente para baixo. Com a parte ranhurada da broca virada para o veio do retentor da ferramenta, introduza a broca no suporte empurrando-a o mais que puder para dentro. Depois rode o retentor da ferramenta mais para baixo na direcção do corpo para prender bem a broca.

PRECAUÇÃO:

- Depois de concluir as operações descritas acima, verifique sempre se a broca está bem presa tentando puxá-la para fora do suporte da ferramenta.
- A broca com anel não pode ser fixada pelo método mostrado na Fig. 7.

Para remover a brica, siga o procedimento inverso de instalação.

FUNCIONAMENTO

Desbastar/Desencrostar/Demolir (Fig. 9)

Utilize sempre a pega lateral (pega auxiliar) e segure bem na ferramenta pela pega lateral e a pega do gatilho durante a utilização. Ligue a ferramenta e aplique uma ligeira pressão na ferramenta, de forma a que a ferramenta não salte descontrolada. Premir a ferramenta com muita força não aumentará a eficiência.

MANUTENÇÃO

PRECAUÇÃO:

- Certifique-se sempre de que a ferramenta está desligada no interruptor e da tomada antes de inspeccionar ou fazer a manutenção da ferramenta.

Lubrificação

PRECAUÇÃO:

- Este serviço deve ser realizado apenas por Centros de Assistência de Fábrica ou Autorizados pela Makita. Esta ferramenta não necessita de lubrificação constante ou diária pois tem um sistema de lubrificação integrado. No entanto, recomenda-se que substitua periodicamente a massa de lubrificação, para uma maior longevidade da ferramenta. Primeiro, desligue-a e retire a ficha da tomada.

Apenas para os modelos HM1307C, HM1307CB (Fig. 10)

Retire os seis parafusos utilizando uma chave sextavada e retire a tampa posterior. (Fig. 11)

Puxe a tampa da manivela na direcção da seta e retire-a. (Fig. 12)

De seguida, encha com lubrificante fresco (60 g). Use apenas lubrificante genuíno para martelos Makita (acessório opcional). Se encher com mais do que a quantidade de lubrificante especificada (aprox. 60 g; 2 oz) pode danificar o funcionamento do martelo ou da ferramenta. Encha apenas com a quantidade de lubrificante especificada.

Para montar a ferramenta, siga o procedimento inverso de desmontagem.

Apenas para os modelos HM1317C, HM1317CB (Fig. 13)

Retire os seis parafusos utilizando uma chave sextavada e retire a tampa posterior. (Fig. 14)

Puxe a cobertura da tampa da manivela na direcção da seta e retire-a. (Fig. 15)

De seguida, encha com lubrificante fresco (60 g). Use apenas lubrificante genuíno para martelos Makita (acessório opcional). Se encher com mais do que a quantidade de lubrificante especificada (aprox. 60 g; 2 oz) pode danificar o funcionamento do martelo ou da

ferramenta. Encha apenas com a quantidade de lubrificante especificada.

Para montar a ferramenta, siga o procedimento inverso de desmontagem.

PRECAUÇÃO:

- Tenha cuidado para não danificar o porta-escovas e as escovas de carvão, especialmente ao instalar a tampa traseira.
- Não volte a utilizar os seis parafusos. Utilize parafusos novos ao montar, uma vez que estes parafusos são aplicados com adesivo.

Para manter os níveis de SEGURANÇA e FIABILIDADE definidos para este produto, as reparações e os procedimentos de manutenção ou ajustes devem ser executados por centros de assistência Makita autorizados, utilizando sempre peças de substituição Makita.

ACESSÓRIOS

PRECAUÇÃO:

- Os seguintes acessórios ou extensões são os recomendados para utilizar com a ferramenta Makita especificada neste manual. A utilização de outros acessórios ou extensões podem provocar ferimentos. Utilize cada acessório ou extensão apenas para o fim indicado.

Se precisar de informações adicionais relativas aos acessórios, contacte o centro local de assistência Makita

- Ponta de cinzel
- Butil
- Cinzel de desbaste
- Pá para argila
- Compressor
- Lubrificante para o martelo
- Óculos protectores
- Saco de transporte de plástico

Para o modelo HM1307C

Apenas para os países europeus

Ruído

ENG102-2

Os níveis acústicos ponderados A típicos foram determinados segundo a EN60745:

Nível de pressão sonora (L_{pA}): 81 dB (A)

Nível de potência sonora (L_{WA}): 101 dB (A)

Imprecisão (K): 3 dB (A)

Use protecção para os ouvidos.

Vibração

ENG216-2

O valor total da vibração (soma triaxial de vectores) foi determinado segundo a EN60745:

Modo de trabalho: função esculpir com a pega lateral

Emissão de vibração ($a_{h, Cheq}$): 12,5 m/s²

Imprecisão (K): 2,0 m/s²

Para o modelo HM1307CB

Apenas para os países europeus

Ruído

ENG102-2

Os níveis acústicos ponderados A típicos foram determinados segundo a EN60745:

Nível de pressão sonora (L_{pA}): 81 dB (A)

Nível de potência sonora (L_{WA}): 101 dB (A)

Imprecisão (K): 3 dB (A)

Use protecção para os ouvidos.

Vibração

ENG216-2

O valor total da vibração (soma triaxial de vectores) foi determinado segundo a EN60745:

Modo de trabalho: função esculpir com a pega lateral

Emissão de vibração ($a_{hv,CHeq}$): 12,0 m/s²

Imprecisão (K): 1,5 m/s²

Para o modelo HM1317C**Apenas para os países europeus****Ruído**

ENG102-2

Os níveis acústicos ponderados A típicos foram determinados segundo a EN60745:

Nível de pressão sonora (L_{pA}): 81 dB (A)

Nível de potência sonora (L_{WA}): 101 dB (A)

Imprecisão (K): 3 dB (A)

Use protecção para os ouvidos.

Vibração

ENG216-2

O valor total de vibração (soma do valor tri-axial)

determinado de acordo com a EN60745:

Modo de trabalho: função esculpir com a pega lateral

Emissão de vibração ($a_{hv,CHeq}$): 8,5 m/s²

Imprecisão (K): 1,5 m/s²

Para o modelo HM1317CB**Apenas para os países europeus****Ruído**

ENG102-2

Os níveis acústicos ponderados A típicos foram determinados segundo a EN60745:

Nível de pressão sonora (L_{pA}): 81 dB (A)

Nível de potência sonora (L_{WA}): 101 dB (A)

Imprecisão (K): 3 dB (A)

Use protecção para os ouvidos.

Vibração

ENG216-2

O valor total da vibração (soma triaxial de vectores) foi determinado segundo a EN60745:

Modo de trabalho: função esculpir com a pega lateral

Emissão de vibração ($a_{hv,CHeq}$): 7,0 m/s²

Imprecisão (K): 1,5 m/s²

Declaração de conformidade EC

ENH213-1

A Makita Corporation, na qualidade do fabricante responsável, declara que a(s) máquina(s) Makita seguinte(s):

Designação da máquina:

Demolidor eléctrico

Tipo N.º de modelo

HM1307C, HM1307CB, HM1317C, HM1317CB

são produzidas em série e

estão em conformidade com as Directivas Europeias seguintes:

2000/14/EC, 98/37/EC até 28 de Dezembro de 2009 e, de seguida, com 2006/42/EC a partir de 29 de Dezembro de 2009

E são fabricadas de acordo com as normas ou os documentos padronizados seguintes:

EN60745

A documentação técnica é mantida pelo nosso representante autorizado na Europa, que é:

Makita International Europe Ltd.,

Michigan, Drive, Tongwell,

Milton Keynes, MK15 8JD, Inglaterra

O procedimento de avaliação da conformidade requisitado pela Directiva 2000/14/EC estava de acordo com o anexo VIII.

Corpo notificado:

GmbH de segurança de produto TÜV Rheinland, n.º de identificação 0197

Modelo HM1307C

Nível de potência sonora medida: 101 dB

Nível de potência sonora garantida: 103 dB

Modelo HM1307CB

Nível de potência sonora medida: 101 dB

Nível de potência sonora garantida: 104 dB

Modelo HM1317C

Nível de potência sonora medida: 101 dB

Nível de potência sonora garantida: 103 dB

Modelo HM1317CB

Nível de potência sonora medida: 101 dB

Nível de potência sonora garantida: 104 dB

8 de Abril de 2009



Tomoyasu Kato

Director

Makita Corporation

3-11-8, Sumiyoshi-cho,

Anjo, Aichi, JAPAN

Forklaring til generel oversigt

- | | | |
|------------------------------------|------------------------------|----------------------|
| 1. Kontakt | 8. Bit | 15. Bagdæksel |
| 2. Drejeknap til justering | 9. Værktøjsstøtte | 16. Unbrakonøgle |
| 3. Indikatorlampe for strøm (grøn) | 10. Værktøjsholder | 17. Krumtaphus |
| 4. Serviceindikatorlampe (rød) | 11. Bit med stopning | 18. Hammerfedtstof |
| 5. Bolt | 12. Bit uden stopning | 19. Krumtaphusdæksel |
| 6. Møtrik | 13. Når bittene monteres | |
| 7. Sidehåndtag | 14. Når bittene er låst fast | |

SPECIFIKATIONER

Model	HM1317C	HM1307C	HM1317CB	HM1307CB
Slag pr. minut	730 - 1.450			
Længde i alt	715 mm		824 mm	
Nettovægt	17,0 kg	15,3 kg	19,0 kg	17,3 kg
Sikkerhedsklasse	II/II			

- På grund af vores løbende forsknings- og udviklingsprogram kan specifikationerne heri ændres uden forudgående varsel.
- Specifikationerne kan variere fra land til land.
- Vægt i henhold til EPTA-procedure 01/2003

Tilsigtet brug

ENE045-1

Værktøjet er beregnet til mejslingsarbejde i beton, mursten, sten og asfalt samt til gravning og komprimering med det korrekte tilbehør.

Strømforsyning

ENF002-1

Værktøjet bør kun slutes til en strømforsyning med den spænding, der er angivet på mærkepladen, og det kan kun benyttes med enkelfaset vekselstrøm. Det er dobbelt isoleret i overensstemmelse med europæisk standard og kan derfor også slutes til stikkontakter uden jordforbindelse.

SIKKERHEDSADVARSLER FOR HAMRING

GEB004-6

- Bær høreværn.** Udsættelse for støj kan medføre høreskader.
- Benyt de ekstra håndtag, der eventuelt leveres med værktøjet.** Hvis du mister kontrollen, kan du komme til skade.
- Hold maskinen på de isolerede gribeplader, når du udfører arbejde, hvor det skærende tilbehør kan komme i kontakt med skjulte ledninger eller maskinens egen ledning.** Hvis det skærende tilbehør kommer i kontakt med en strømførende ledning, kan udsatte metaldele på maskinen blive strømførende, hvorved operatøren kan få elektrisk stød.
- Bær hård hovedbeklædning (sikkerhedshjelm), beskyttelsesbriller og/eller ansigtsmaske. Almindelige briller eller solbriller er IKKE beskyttelsesbriller.** Det anbefales desuden kraftigt at bære støvmaske og kraftigt polstrede handsker.
- Kontroller, at bittene sidder godt fast før brug.**
- Værktøjet er designet til at forårsage vibration ved normal brug.** Skruer kan nemt løsne sig og

medføre et nedbrud eller en ulykke. Kontroller før brug, at skruerne sidder stramt.

- Under kolde forhold, eller når værktøjet ikke har været anvendt i længere tid, skal du lade værktøjet varme op et stykke tid ved at lade det køre i tomgang. Derved løses smøremidlet. Uden korrekt opvarmning kan betjening af hammeren være vanskelig.**
- Sørg altid for at have et solidt fodfæste. Sørg for, at der ikke er nogen under dig, når du benytter værktøjet på højtliggende steder.**
- Hold godt fast i værktøjet med begge hænder.**
- Hold hænderne på afstand af bevægelige dele.**
- Gå ikke fra værktøjet, mens det kører. Lad kun værktøjet køre, mens du holder det i hænderne.**
- Ret ikke værktøjet mod personer i nærheden, mens det kører. Bittene kan flyve ud og forårsage alvorlig personskade.**
- Berør ikke bittene eller dele i nærheden af bittene umiddelbart efter brugen. De kan være meget varme og kan forårsage forbrændinger af huden.**
- Kør ikke værktøjet mere end nødvendigt uden belastning.**
- Nogle materialer indeholder kemikalier, som kan være giftige. Sørg for, at forhindre indånding af støv og kontakt med huden. Følg materialeleverandørens sikkerhedsdata.**

GEM DISSE INSTRUKTIONER.**ADVARSEL:**

LAD IKKE tryk eller kendskab til produktet (fra gentagen brug) føre til, at du ikke strengt overholder sikkerhedsreglerne for det gældende produkt. MISBRUG eller manglende overholdelse af sikkerhedsreglerne i denne brugsanvisning kan medføre alvorlig personskade.

FUNKTIONSBESKRIVELSE

FORSIGTIG:

- Sørg altid for, at værktøjet er slukket, og at stikket er taget ud af stikkontakten, før du justerer værktøjet eller kontrollerer dets funktion.

Betjening af afbryderkontakten (Fig. 1)

FORSIGTIG:

- Kontroller altid, at der er slukket for værktøjet, før det sluttes til stikkontakten.
- Kontakten kan låses i "ON"-positionen for at gøre det nemmere for brugeren ved længere tids brug af værktøjet. Vær forsigtig når du låser værktøjet i "ON"-positionen og hold godt fast på værktøjet.

For at starte værktøjet skal du trykke på kontakten "ON (I)" på den venstre side af værktøjet. For at stoppe værktøjet skal du trykke på kontakten "OFF (O)" på den højre side af værktøjet.

Ændring af hastigheden (Fig. 2)

Antallet af slag pr. minut kan justeres ved at dreje med drejeknappen. Det kan gøres, selvom værktøjet kører. Drejeknappen har mærker fra 1 (laveste hastighed) til 5 (fuld hastighed).

Se i tabellen nedenfor for sammenhængen mellem talindstillingerne på drejeknappen og antallet af slag pr. minut.

Nummer på drejeknappen	Slag pr. minut
5	1.450
4	1.350
3	1.150
2	800
1	730

Kun for model HM1317C, HM1317CB

BEMÆRK:

- Slag pr. minut ved ingen belastning bliver mindre end dem med belastning for at reducere vibrationen, når der ikke er belastning, men dette er ikke et tegn på en fejl. Når først operationen starter med en bit i kontakt med betonen, stiger antallet af slag pr. minut, og der opnås de tal, der er vist i tabellen. Når temperaturen er lav og smørelsen er mindre flydende, fungerer værktøjet muligvis ikke på denne måde, selv om motoren roterer.

FORSIGTIG:

- Drejeknappen kan kun drejes op til 5 og tilbage til 1. Prøv ikke at tvinge den forbi 5 eller 1, da hastighedsjusteringen ellers kan gå i stykker.

Indikatorlampe (Fig. 3)

Den grønne indikatorlampe for strøm lyser, når værktøjet er sat i stikkontakten. Hvis indikatorlampen ikke tændes, er netledningen eller kontrollen muligvis defekte. Hvis indikatorlampen lyser, men værktøjet ikke starter, selvom der er tændt for værktøjet, er kulbørsterne muligvis slidt ned, eller motoren eller tænd/sluk-kontakten kan være defekt.

Den røde indikatorlampe for service lyser, når kulbørsterne er ved at være slidt ned, for at angive at der

skal udføres service på værktøjet. Der slukkes automatisk for motoren efter cirka 8 timers brug.

MONTERING

FORSIGTIG:

- Sørg altid for, at værktøjet er slukket og taget ud af stikkontakten, før du udfører nogen form for arbejde på værktøjet.

Sidehåndtag (ekstra håndtag) (Fig. 4)

Sidehåndtaget kan svinges 360° rundt i den lodrette retning og fastgøres på enhver ønsket position. Du skal blot løsne spændemøtrikken for at dreje sidehåndtaget hen på den ønskede position. Spænd derefter spændemøtrikken ordentligt.

Montering og afmontering af bitten

Kun for model HM1307C, HM1317C (Fig. 5)

Vend den ende af bittens skaft, hvor mærket findes, mod værktøjsstøtten, og sæt bitten ind i værktøjsholderen, indtil den ikke kan komme længere ind. Træk derefter ud og drej værktøjsstøtten 180° for at fastgøre bitten. Efter montering skal du altid sikre dig, at bitten sidder godt fast, ved at forsøge at trække den ud.

Kun for model HM1307CB, HM1317CB (Fig. 6)

Der kan både monteres bits med og uden stopning på skæftet på værktøjet.

(1) For bits med stopning (Fig. 7)

Benyt fremgangsmåde (1) eller (2) nedenfor for at montere bitten.

Drej værktøjsstøtten tilbage og lidt nedad. Sæt bitten ind i værktøjsholderen, til den ikke kan komme længere ind. Sæt værktøjsstøtten tilbage i den oprindelige position for at låse bitten fast.

FORSIGTIG:

- Kontrollér altid, at bitten sidder godt fast, ved at forsøge at trække bitten ud af værktøjsholderen, når du har udført ovenstående procedure.

(2) For bits uden stopning (Fig. 8)

Drej værktøjsstøtten fremad og lidt nedad. Vend den ende af bitten, hvor mærket findes, mod værktøjsstøtteskaftet, og sæt bitten ind i værktøjsholderen, indtil den ikke kan komme længere ind. Drej derefter værktøjsholderen længere nedad mod cylinderen for at låse bitten godt fast.

FORSIGTIG:

- Kontrollér altid, at bitten sidder godt fast, ved at forsøge at trække bitten ud af værktøjsholderen, når du har udført ovenstående procedure.
- Bits uden stopning kan ikke låses fast ved at følge den fremgangsmåde, der vises i Fig. 7 ovenfor.

Følg fremgangsmåden til montering i omvendt rækkefølge for at afmontere bitten.

BETJENING

Mejsling/afbankning/nedrivning (Fig. 9)

Anvend altid sidehåndtaget (ekstra håndtag) og hold godt fast i værktøjet i både sidehåndtaget og kontakthåndtaget under betjening. Tænd for værktøjet, og tryk let på

værktøjet, så det ikke kommer ud af kontrol. Effektiviteten forøges ikke ved at trykke meget hårdt på værktøjet.

VEDLIGEHOLDELSE

FORSIGTIG:

- Sørg altid for, at værktøjet er slukket, og at stikket er taget ud, før du udfører inspektion eller vedligeholdelse.

Smøring

FORSIGTIG:

- Denne service bør kun udføres af autoriserede Makita-servicecentre eller fabrikksservicecentre.

Værktøjet kræver ikke smøring hver time eller hver dag, da det har et indbygget smøringsystem. Men det anbefales, at smørelsen udføres med mellemrum for at opnå en længere levetid for værktøjet.

Sluk først for værktøjet, og tag stikket ud af stikkontakten.

Kun for model HM1307C, HM1307CB (Fig. 10)

Fjern de seks skruer med en unbrakonøgle og tag derefter bagdækslet af. (Fig. 11)

Træk krumtaphuset i pilens retning for at tage det ud.

(Fig. 12)

Fyld derefter op med nyt smøremiddel (60 g). Brug kun ægte Makita-hammerfedtstof (fås som tilbehør). Hvis der påfyldes mere end den angivne mængde smøremiddel (cirka 60 g), kan det medføre forkert hammerfunktion, eller at værktøjet slet ikke fungerer. Påfyld kun den angivne mængde smøremiddel.

Følg fremgangsmåden til afmontering i omvendt rækkefølge for at samle værktøjet igen.

Kun for model HM1317C, HM1317CB (Fig. 13)

Fjern de seks skruer med en unbrakonøgle og tag derefter bagdækslet af. (Fig. 14)

Træk krumtaphusdækslet i pilens retning for at tage det ud. (Fig. 15)

Fyld derefter op med nyt smøremiddel (60 g). Brug kun ægte Makita-hammerfedtstof (fås som tilbehør). Hvis der påfyldes mere end den angivne mængde smøremiddel (cirka 60 g), kan det medføre forkert hammerfunktion, eller at værktøjet slet ikke fungerer. Påfyld kun den angivne mængde smøremiddel.

Følg fremgangsmåden til afmontering i omvendt rækkefølge for at samle værktøjet igen.

FORSIGTIG:

- Pas på ikke at beskadige kulholderenheden og kulbørsterne, især når du monterer bagdækslet igen.
- Brug ikke de samme seks bolte igen, men brug i stedet nogle nye, når du samler værktøjet igen, eftersom disse bolte er påført klæbemiddel.

For at holde produktet SIKKERT og PÅLIDELIGT skal reparationer samt al anden vedligeholdelse eller justering udføres af autoriserede Makita-servicecentre, og der skal altid benyttes Makita-reservedele.

TILBEHØR

FORSIGTIG:

- Dette tilbehør eller ekstraudstyr anbefales til brug med det Makita-værktøj, som er beskrevet i denne brugsanvisning. Brug af andet tilbehør eller ekstraudstyr kan forårsage personskade. Brug kun

tilbehør eller ekstraudstyr til det formål, det er beregnet til.

Henvend dig til din lokale Makita-servicecenter, hvis du har brug for hjælp eller yderligere oplysninger vedrørende tilbehøret.

- Spidshammer
- Koldmejsel
- Afbankningsmejsel
- Lerspade
- Stamper
- Hammerfedtstof
- Sikkerhedsbriller
- Plastikbæretaske

For model HM1307C

Kun for lande i Europa

Støj

ENG102-2

Det typiske A-vægtede støjniveau bestemt i overensstemmelse med EN60745:

Lydtrykkniveau (L_{pA}): 81 dB (A)

Lydteffektniveau (L_{WA}): 101 dB (A)

Usikkerhed (K): 3 dB (A)

Bær høreværn.

ENG216-2

Vibration

Den samlede vibrationsværdi (treksiel vektorsum)

bestemt i overensstemmelse med EN60745:

Arbejdstilstand: mejsling med sidehåndtag

Vibrationsemission ($a_{h,CHEq}$): 12,5 m/s²

Usikkerhed (K): 2,0 m/s²

For model HM1307CB

Kun for lande i Europa

Støj

ENG102-2

Det typiske A-vægtede støjniveau bestemt i overensstemmelse med EN60745:

Lydtrykkniveau (L_{pA}): 81 dB (A)

Lydteffektniveau (L_{WA}): 101 dB (A)

Usikkerhed (K): 3 dB (A)

Bær høreværn.

ENG216-2

Vibration

Den samlede vibrationsværdi (treksiel vektorsum)

bestemt i overensstemmelse med EN60745:

Arbejdstilstand: mejsling med sidehåndtag

Vibrationsemission ($a_{h,CHEq}$): 12,0 m/s²

Usikkerhed (K): 1,5 m/s²

For model HM1317C

Kun for lande i Europa

Støj

ENG102-2

Det typiske A-vægtede støjniveau bestemt i overensstemmelse med EN60745:

Lydtrykkniveau (L_{pA}): 81 dB (A)

Lydteffektniveau (L_{WA}): 101 dB (A)

Usikkerhed (K): 3 dB (A)

Bær høreværn.

ENG216-2

Vibration

Den samlede vibrationsværdi (triaksial vektorsum)

bestemt i henhold til EN60745:

Arbejdstilstand: mejsling med sidehåndtag

Vibrationsemission ($a_{h,CHEq}$): 8,5 m/s²

Usikkerhed (K): 1,5 m/s²

**For model HM1317CB
Kun for lande i Europa**

Støj

ENG102-2

Det typiske A-vægtede støjniveau bestemt i
overensstemmelse med EN60745:

Lydtryksniveau (L_{pA}): 81 dB (A)

Lydeffektniveau (L_{WA}): 101 dB (A)

Usikkerhed (K): 3 dB (A)

Bær høreværn.

Vibration

ENG216-2

Den samlede vibrationsværdi (treaksial vektorsum)
bestemt i overensstemmelse med EN60745:

Arbejdstilstand: mejsling med sidehåndtag

Vibrationsemission ($a_{h,CHeq}$): 7,0 m/s²

Usikkerhed (K): 1,5 m/s²

EC-erklæring vedrørende overholdelse af standarder

ENH213-1

**Vi, Makita Corporation, erklærer som ansvarlig
producent at følgende Makita-maskine(r):**

Maskinens betegnelse:

Opbrydningshammer

Modelnummer/ type:

HM1307C, HM1307CB, HM1317C, HM1317CB

er en produktionsserie og

Overholder følgende europæiske direktiver:

2000/14/EC, 98/37/EC indtil den 28. december 2009

og derefter 2006/42/EC fra den 29. december 2009

Og er produceret i overensstemmelse med følgende

standarder eller standardiserede dokumenter:

EN60745

Den tekniske dokumentation findes hos vores

autoriserede repræsentant i Europa:

Makita International Europe Ltd.,

Michigan, Drive, Tongwell,

Milton Keynes, MK15 8JD, England

Den konformitetsvurderingsprocedure, der kræves af

Direktiv 2000/14/EC, blev udført i henhold til appendiks

VIII.

Underrettet organ:

TÜV Rheinland Product Safety GmbH,

identifikationsnr. 0197

Model HM1307C

Målt lydeffektniveau: 101 dB

Garanteret lydeffektniveau: 103 dB

Model HM1307CB

Målt lydeffektniveau: 101 dB

Garanteret lydeffektniveau: 104 dB

Model HM1317C

Målt lydeffektniveau: 101 dB

Garanteret lydeffektniveau: 103 dB

Model HM1317CB

Målt lydeffektniveau: 101 dB

Garanteret lydeffektniveau: 104 dB

8. april 2009



Tomoyasu Kato

Direktør

Makita Corporation
3-11-8, Sumiyoshi-cho,
Anjo, Aichi, JAPAN

Γενική περιγραφή

- | | | |
|--|--|----------------------------------|
| 1. Μοχλός διακόπτης | 7. Πλαϊνή λαβή | 14. Όταν συγκρατείται το τρυπάνι |
| 2. Επιλογέας ρύθμισης | 8. Τρυπάνι | 15. Πίσω κάλυμμα |
| 3. Ενδεικτική λυχνία ΕΝΕΡΓΟΠΟΙΗΣΗΣ (πράσινη) | 9. Συγκρατήρας εργαλείου | 16. Εξάγωνο άλεν |
| 4. Ενδεικτική λυχνία συντήρησης (κόκκινη) | 10. Υποδοχή εργαλείου | 17. Καπάκι στροφάλου |
| 5. Ρυθμιστικό μπουλόνι | 11. Τρυπάνι με κολάρο | 18. Γράσο για σφύρα |
| 6. Παξιμάδι | 12. Τρυπάνι χωρίς κολάρο | 19. Κάλυμμα κατακτιού στροφάλου |
| | 13. Όταν είναι τοποθετημένο το τρυπάνι | |

ΠΡΟΔΙΑΓΡΑΦΕΣ

Μοντέλο	HM1317C	HM1307C	HM1317CB	HM1307CB
Κρούσεις το λεπτό	730 - 1.450			
Ολικό μήκος	715 χιλ		824 χιλ	
Καθαρό βάρος	17,0 κιλά	15,3 κιλά	19,0 κιλά	17,3 κιλά
Τάξη ασφάλειας	II/II			

- Λόγω του συνεχόμενου προγράμματος που εφαρμόζουμε για έρευνα και ανάπτυξη, τα τεχνικά χαρακτηριστικά στο παρόν έντυπο υπόκεινται σε αλλαγή χωρίς προειδοποίηση.
- Τα τεχνικά χαρακτηριστικά ενδέχεται να διαφέρουν ανάλογα με τη χώρα.
- Βάρος σύμφωνα με τη διαδικασία ΕΡΤΑ 01/2003

Προοριζόμενη χρήση

ENE045-1

Το εργαλείο προορίζεται για καλέμισμα σε τσιμέντο, τούβλα, πέτρα και άσφαλο, καθώς και για βίδωμα και συμπιέση με τα κατάλληλα εξαρτήματα.

Ηλεκτρική παροχή

ENF002-1

Το εργαλείο πρέπει να συνδέεται μόνο σε ηλεκτρική παροχή της ίδιας τάσης με αυτήν που αναγράφεται στην πινακίδα ονομαστικών τιμών και μπορεί να λειτουργήσει μόνο με εναλλασσόμενο μονοφασικό ρεύμα. Τα εργαλεία αυτά διαθέτουν διπλή μόνωση που συμμορφώνεται με τα ευρωπαϊκά πρότυπα και συνεπώς μπορούν να συνδεθούν με πρίζες χωρίς γείωση.

ΠΡΟΕΙΔΟΠΟΙΗΣΕΙΣ ΑΣΦΑΛΕΙΑΣ ΤΗΣ ΣΦΥΡΑΣ

GEB004-6

1. **Να φοράτε γυαλιά ασφαλείας.** Η έκθεση σε θόρυβο μπορεί να προκαλέσει απώλεια ακοής.
2. **Να χρησιμοποιείτε τη βοηθητική λαβή(ες), εάν παρέχονται με το εργαλείο.** Η απώλεια του ελέγχου μπορεί να προκαλέσει προσωπικό τραυματισμό.
3. **Να κρατάτε το ηλεκτρικό εργαλείο από τις μονωμένες λαβές όταν εκτελείτε εργασίες κατά τις οποίες το κοπτικό εξάρτημα μπορεί να έρθει σε επαφή με μη ορατά καλώδια ή με το δικό του καλώδιο τροφοδοσίας.** Αν το κοπτικό εξάρτημα έρθει σε επαφή με κάποιο ηλεκτροφόρο καλώδιο, τα εκτεθειμένα μεταλλικά μέρη του ηλεκτρικού εργαλείου θα γίνουν κι αυτά ηλεκτροφόρα και μπορεί να προκληθεί ηλεκτροπληξία στο χειριστή.
4. **Να φοράτε ένα σκληρό καπέλο (κράνος ασφάλειας), γυαλιά ασφάλειας ή/και προσωπίδα.** Τα συνηθισμένα γυαλιά ή τα γυαλιά ηλίου ΔΕΝ αποτελούν γυαλιά ασφάλειας. Συνιστάται επίσης

ένθερμα να φοράτε προσωπίδα κατά της σκόνης και γάντια με παχιά επένδυση.

5. **Πριν θέσετε το εργαλείο σε λειτουργία, βεβαιωθείτε ότι το τρυπάνι είναι ασφαλισμένο στη θέση του.**
6. **Σε κανονικές συνθήκες λειτουργίας, το εργαλείο είναι σχεδιασμένο να παράγει κραδασμούς. Οι βίδες μπορούν εύκολα να ξεβιδωθούν και να προκληθεί βλάβη του εργαλείου ή ατύχημα.** Πριν θέσετε το εργαλείο σε λειτουργία, ελέγξτε αν οι βίδες είναι σφιγμένες.
7. **Όταν έχει κρύο καιρό ή όταν δεν έχετε χρησιμοποιήσει το εργαλείο για μεγάλη χρονική περίοδο, αφήστε το εργαλείο να λειτουργήσει για λίγη ώρα χωρίς φόρτο.** Με αυτό το τρόπο θα κυκλοφορήσει το λιπαντικό. Αν δεν γίνει σωστό ζέσταμα, θα υπάρχει δυσκολία στη λειτουργία σφηνόλατσης.
8. **Να βεβαιώνετε πάντοτε ότι στέκεστε σταθερά.** Όταν χρησιμοποιείτε το εργαλείο σε υψηλές τοποθεσίες, να βεβαιώνετε ότι δεν βρίσκεται κανένας από κάτω.
9. **Να κρατάτε το εργαλείο γερά και με τα δύο χέρια.**
10. **Μην πλησιάζετε τα χέρια σας σε κινούμενα μέρη.**
11. **Μην αφήνετε το εργαλείο σε λειτουργία. Το εργαλείο πρέπει να βρίσκεται σε λειτουργία μόνο όταν το κρατάτε.**
12. **Όταν το εργαλείο βρίσκεται σε λειτουργία, μην το στρέψετε προς την κατεύθυνση κανενός ατόμου που βρίσκεται στην περιοχή. Το τρυπάνι μπορεί να εκτοξευτεί και να προκληθεί σοβαρός τραυματισμός σε άλλο άτομο.**
13. **Μην αγγίζετε το τρυπάνι ή τα μέρη που βρίσκονται κοντά στο τρυπάνι αμέσως μετά τη λειτουργία του εργαλείου. Μπορεί να είναι εξαιρετικά θερμά και να προκληθεί έγκαυμα στο δέρμα σας.**

14. Μην θέτετε το εργαλείο σε λειτουργία χωρίς φόρτο, αν αυτό δεν είναι απαραίτητο.

15. Μερικά υλικά περιέχουν χημικές ουσίες που μπορεί να είναι τοξικές. Να προσέχετε ώστε να αποφεύγετε την εισπνοή της σκόνης και την επαφή με το δέρμα. Ακολουθείτε τα δεδομένα ασφαλείας υλικού που παρέχονται από τον προμηθευτή.

ΦΥΛΑΞΤΕ ΑΥΤΕΣ ΤΙΣ ΟΔΗΓΙΕΣ.

ΠΡΟΕΙΔΟΠΟΙΗΣΗ:

ΜΗΝ επιτρέψετε στη βολικότητα ή στην εξοικείωσή σας με το προϊόν (που αποκτήθηκε από επανειλημμένη χρήση) να αντικαταστήσει την αυστηρή προσήλωση στους κανόνες ασφαλείας του εν λόγω προϊόντος.
Η ΛΑΘΑΣΜΕΝΗ ΧΡΗΣΗ ή η μη τήρηση των κανόνων ασφαλείας που διατυπώνονται στο παρόν χειρίδιο οδηγιών μπορεί να προκαλέσει σοβαρό τραυματισμό.

ΠΕΡΙΓΡΑΦΗ ΛΕΙΤΟΥΡΓΙΑΣ

ΠΡΟΣΟΧΗ:

- Να βεβαιώνετε πάντοτε ότι το εργαλείο είναι σβηστό και αποσυνδεδεμένο από το ηλεκτρικό ρεύμα πριν ρυθμίσετε ή ελέγξετε κάποια λειτουργία του.

Δράση διακόπτη (Εικ. 1)

ΠΡΟΣΟΧΗ:

- Πριν να συνδέσετε το εργαλείο, ελέγχετε πάντα να δείτε αν το εργαλείο είναι σβηστό.
- Ο διακόπτης μπορεί να κλειδώσει στην ενεργή θέση «ON» για διευκόλυνση του χειριστή κατά την παρατεταμένη χρήση. Δώστε προσοχή όταν το εργαλείο βρίσκεται κλειδωμένο στην ενεργή θέση «ON» και κρατάτε το γερά.

Για να ξεκινήσετε τη λειτουργία του εργαλείου, πατήστε το μοχλό-διακόπτη «ON (I)» στην αριστερή πλευρά του εργαλείου. Για να σταματήσετε τη λειτουργία του εργαλείου, πατήστε το μοχλό-διακόπτη «OFF (O)» στην δεξιά πλευρά του εργαλείου.

Αλλαγή ταχύτητας (Εικ. 2)

Μπορείτε να ρυθμίσετε τις κρούσεις ανά λεπτό, αν περιστρέψετε απλά τον επιλογέα ρύθμισης. Αυτό μπορεί να πραγματοποιηθεί ακόμα και κατά τη λειτουργία του εργαλείου. Ο επιλογέας είναι σημειωμένος από το 1 (χαμηλότερη ταχύτητα) έως το 5 (τελική ταχύτητα). Ανατρέξτε στον παρακάτω πίνακα για τη σχέση μεταξύ των αριθμημένων ρυθμίσεων στον επιλογέα ρύθμισης και των κρούσεων ανά λεπτό.

Αριθμηση στον επιλογέα ρύθμισης	Κρούσεις το λεπτό
5	1.450
4	1.350
3	1.150
2	800
1	730

Μόνο για το μοντέλο HM1317C, HM1317CB

ΣΗΜΕΙΩΣΗ:

- Για να ελαττωθεί ο κραδασμός όταν δεν υπάρχει φόρτος, οι κρούσεις ανά λεπτό χωρίς την ύπαρξη φόρτου γίνονται μικρότερες σε σχέση με αυτές κατά την ύπαρξη φόρτου, αυτό όμως δεν αποτελεί ένδειξη ύπαρξης προβλήματος. Όταν ξεκινήσει η λειτουργία με ένα τρυπάνι έναντι σε τιμνένο, οι κρούσεις ανά λεπτό αυξάνονται και φτάνουν στους αριθμούς που εμφανίζονται στον παρακάτω πίνακα. Όταν η θερμοκρασία είναι χαμηλή και είναι μειωμένη η ρευστότητα του γράσου, το εργαλείο μπορεί να μην διαθέτει αυτή τη λειτουργία ακόμη και αν περιστρέφεται το μοτέρ.

ΠΡΟΣΟΧΗ:

- Ο επιλογέας ρύθμισης ταχύτητας έχει τη δυνατότητα να περιστρέφεται έως το 5 και ξανά στο 1. Μην τον ξεναγκάζετε πέρα από το 5 ή το 1, αλλιώς μπορεί να μην λειτουργεί πλέον η ρύθμιση ταχύτητας.

Ενδεικτική λυχνία (Εικ. 3)

Όταν συνδέετε το εργαλείο στην πρίζα, ανάβει η πράσινη ενδεικτική λυχνία της ενεργής θέσης ON. Αν δεν ανάβει η ενδεικτική λυχνία, μπορεί να δυσλειτουργεί το ηλεκτρικό καλώδιο ή ο ελεγκτής. Εάν η ενδεικτική λυχνία είναι αναμμένη αλλά το εργαλείο δεν ξεκινά ακόμη και αν είναι αναμμένο, τότε μπορεί να έχουν φθαρεί τα καρβουνάκια, ή να δυσλειτουργεί ο ελεγκτής, το μοτέρ ή ο διακόπτης ON/OFF.

Η κόκκινη ενδεικτική λυχνία συντήρησης αναβοσβήνει όταν τα καρβουνάκια έχουν φθαρεί σχεδόν τελείως για να δηλώσει πως το εργαλείο χρειάζεται συντήρηση. Μετά από περίπου 8 ώρες χρήσης, το μοτέρ θα σβήσει αυτόματα.

ΣΥΝΑΡΜΟΛΟΓΗΣΗ

ΠΡΟΣΟΧΗ:

- Να βεβαιώνετε πάντοτε ότι το εργαλείο είναι σβηστό και αποσυνδεδεμένο από το ηλεκτρικό ρεύμα πριν εκτελέσετε οποιαδήποτε εργασία σε αυτό.

Πλαϊνή χειρολαβή (βοηθητική χειρολαβή) (Εικ. 4)

Η πλαϊνή χειρολαβή μπορεί να περιστραφεί κατά 360° καθέτως και να ασφαλίσει σε όποια θέση θέλετε. Απλά χαλαρώστε το παξιμάδι σύσφιξης για να περιστρέψετε την πλαϊνή χειρολαβή στη θέση που θέλετε. Έπειτα, σφίξτε καλά το παξιμάδι σύσφιξης.

Τοποθέτηση ή αφαίρεση του τρυπανιού (Εικ. 5)

Μόνο για το μοντέλο HM1307C, HM1317C

Τοποθετήστε το τρυπάνι στην υποδοχή του εργαλείου έως το τέρμα, με την εγκοπή του άξονα του τρυπανιού να είναι στραμμένη προς τον συγκρατητήρα του εργαλείου. Κατόπιν τραβήξτε τον άξονα του συγκρατητήρα και στρέψτε τον κατά 180° για να ασφαλίστε το τρυπάνι. Μετά την τοποθέτηση, να προσπαθείτε πάντοτε να τραβήξετε το τρυπάνι για να βεβαιωθείτε ότι αυτό είναι ασφαλισμένο στη θέση του.

Μόνο για το Μοντέλο HM1307CB, HM1317CB (Εικ. 6)

Το εργαλείο αυτό δέχεται στο άκρο του τρυπάνι με ή χωρίς κολάρο.

(1) Για τρυπάνια με κολάρο (Εικ. 7)

Για να τοποθετήσετε το τρυπάνι, ακολουθήστε τις διαδικασίες (1) ή (2) που περιγράφονται παρακάτω.

Στρέψτε το συγκρατήρα εργαλείου προς τα πίσω και ελαφρά προς τα κάτω. Τοποθετήστε το τρυπάνι στην υποδοχή του εργαλείου έως το τέρμα. Για να συγκρατήσετε με ασφάλεια το τρυπάνι, επιστρέψτε το συγκρατήρα εργαλείου στην αρχική του θέση.

ΠΡΟΣΟΧΗ:

- Για να είστε σίγουροι ότι το τρυπάνι συγκρατείται με ασφάλεια, πάντοτε να δοκιμάζετε να το βγάζετε τραβώντας το έξω από την υποδοχή του εργαλείου αφού πρώτα ολοκληρώσετε την παραπάνω διαδικασία.

(2) Για τρυπάνια χωρίς κολάρο (Εικ. 8)

Στρέψτε το συγκρατήρα εργαλείου προς τα εμπρός και ελαφρά προς τα κάτω. Τοποθετήστε το τρυπάνι στην υποδοχή του εργαλείου έως το τέρμα, με την εγκοπή στο τρυπάνι να είναι στραμμένη προς τον άξονα του συγκρατήρα. Στη συνέχεια, στρέψτε το συγκρατήρα εργαλείου πιο κάτω προς το κύλινδρο, για να συγκρατήσει με ασφάλεια το τρυπάνι.

ΠΡΟΣΟΧΗ:

- Για να είστε σίγουροι ότι το τρυπάνι συγκρατείται με ασφάλεια, πάντοτε να δοκιμάζετε να το βγάζετε τραβώντας το έξω από την υποδοχή του εργαλείου αφού πρώτα ολοκληρώσετε την παραπάνω διαδικασία.
- Δεν είναι δυνατή η συγκράτηση του τρυπανιού χωρίς κολάρο με τη μέθοδο που απεικονίζεται στην Εικ. 7.

Για να βγάλετε το τρυπάνι, ακολουθήστε τη διαδικασία τοποθέτησης με αντίστροφη φορά.

ΛΕΙΤΟΥΡΓΙΑ

Καλέμισμα/Λάξευση/Κατεδάφιση (Εικ. 9)

Να χρησιμοποιείτε πάντα την πλαινή χειρολαβή (βοηθητική χειρολαβή) και, κατά τη λειτουργία, να κρατάτε το εργαλείο καλά από την πλαινή χειρολαβή και από τη χειρολαβή του διακόπτη. Θέστε το εργαλείο σε λειτουργία και ασκήστε ελαφριά πίεση σε αυτό για να μην αναπηδά ανεξέλεγκτα. Δεν θα αυξηθεί η αποδοτικότητα του εργαλείου αν το πιέζετε πιο δυνατά.

ΣΥΝΤΗΡΗΣΗ

ΠΡΟΣΟΧΗ:

- Να βεβαιώνετε πάντοτε ότι το εργαλείο είναι σβηστό και αποσυνδεδεμένο από το ηλεκτρικό ρεύμα πριν εκτελέσετε οποιαδήποτε εργασία ελέγχου ή συντήρησης σε αυτό.

Λίπανση

ΠΡΟΣΟΧΗ:

- Αυτές οι εργασίες συντήρησης θα πρέπει να εκτελούνται μόνο σε εξουσιοδοτημένο ή εργοστασιακό κέντρο εξυπηρέτησης της Makita.

Το εργαλείο αυτό δεν απαιτεί ωριαία ή καθημερινή λίπανση επειδή διαθέτει σύστημα λίπανσης με γράσο.

Εντούτοις, συνιστάται η περιοδική αντικατάσταση του γράσου για επιμήκυνση του χρόνου ζωής του εργαλείου. Αρχικά, σβήστε το εργαλείο και αποσυνδέστε το από το ηλεκτρικό ρεύμα.

Μόνο για το μοντέλο HM1307C, HM1307CB (Εικ. 10)

Αφαιρέστε τις έξι βίδες χρησιμοποιώντας ένα εξάγωνο άλεν και μετά αφαιρέστε το πίσω κάλυμμα. (Εικ. 11)

Τραβήξτε προς τα έξω το καπάκι του στροφάλου προς την κατεύθυνση του βέλους και αφαιρέστε το. (Εικ. 12)

Στην συνέχεια αναπληρώστε με φρέσκο γράσο (60 γραμ.). Να χρησιμοποιείτε μόνο γνήσιο γράσο για σφύρα της Makita (προαιρετικό αξεσουάρ). Αν γεμίσετε μεγαλύτερη ποσότητα γράσου από αυτήν που καθορίζεται (περίπου 60 γραμ., 2 oz) μπορεί να προκληθεί ελαττωματική δράση κρούσης ή βλάβη του εργαλείου. Γεμίστε μόνο με την ποσότητα γράσου που καθορίζεται.

Για να επανασυναρμολογήσετε το εργαλείο, ακολουθήστε τη διαδικασία αποσυναρμολόγησης με αντίστροφη σειρά.

Μόνο για το μοντέλο HM1317C, HM1317CB (Εικ. 13)

Αφαιρέστε τις έξι βίδες χρησιμοποιώντας ένα εξάγωνο άλεν και μετά αφαιρέστε το πίσω κάλυμμα. (Εικ. 14)

Τραβήξτε προς τα έξω το καπάκι του στροφάλου προς την κατεύθυνση του βέλους και αφαιρέστε το. (Εικ. 15)

Στην συνέχεια αναπληρώστε με φρέσκο γράσο (60 γραμ.). Να χρησιμοποιείτε μόνο γνήσιο γράσο για σφύρα της Makita (προαιρετικό αξεσουάρ). Αν γεμίσετε μεγαλύτερη ποσότητα γράσου από αυτήν που καθορίζεται (περίπου 60 γραμ., 2 oz) μπορεί να προκληθεί ελαττωματική δράση κρούσης ή βλάβη του εργαλείου. Γεμίστε μόνο με την ποσότητα γράσου που καθορίζεται.

Για να επανασυναρμολογήσετε το εργαλείο, ακολουθήστε τη διαδικασία αποσυναρμολόγησης με αντίστροφη σειρά.

ΠΡΟΣΟΧΗ:

- Προσέξτε να μην προκαλέσετε ζημιά στη μονάδα υποδοχής του καρβονακίου και στα καρβονάνια ειδικά κατά την τοποθέτηση του πίσω καλύμματος.
- Επειδή υπάρχει συγκολλητική ουσία στα έξι μπουλόνια, μην τα χρησιμοποιήσετε ξανά κατά την επανασυναρμολόγηση αλλά χρησιμοποιήστε καινούργια.

Για να διατηρείται η ΑΣΦΑΛΕΙΑ και η ΑΞΙΟΠΙΣΤΙΑ του προϊόντος, οι εργασίες επισκευής, καθώς και οποιαδήποτε άλλη εργασία συντήρησης ή ρύθμισης, θα πρέπει να εκτελούνται σε εξουσιοδοτημένα κέντρα εξυπηρέτησης της Makita, και πάντοτε με τη χρήση ανταλλακτικών της Makita.

ΑΞΕΣΟΥΑΡ

ΠΡΟΣΟΧΗ:

- Συνιστάται η χρήση αυτών των αξεσουάρ ή εξαρτημάτων με το εργαλείο της Makita, όπως περιγράφεται στο παρόν εγχειρίδιο. Αν χρησιμοποιήσετε άλλα αξεσουάρ ή εξαρτήματα μπορεί να παρουσιαστεί κίνδυνος για πρόκληση ατομικού τραυματισμού. Να χρησιμοποιείτε τα αξεσουάρ και τα εξαρτήματα μόνο για το σκοπό για τον οποίο προορίζονται.

Αν χρειάζεστε κάποια βοήθεια ή περισσότερες πληροφορίες σχετικά με τα αξεσουάρ αυτά, απευθυνθείτε στο πλησιέστερο κέντρο εξυπηρέτησης της Makita

- Βελόνι
- Ψυχρό καλέμι
- Καλέμι σφυροκοπήματος
- Τσάπα
- Σφύρα
- Γράσο για σφύρα
- Γυαλιά προστασίας
- Πλαστική θήκη μεταφοράς

Για το μοντέλο HM1307C

Για τις Ευρωπαϊκές Χώρες μόνο

Θόρυβος

ENG102-2

Το σύνθηες σταθμισμένο επίπεδο θορύβου που έχει καθοριστεί σύμφωνα με την EN60745:

Επίπεδο ηχητικής πίεσης (L_{pA}): 81 dB (A)
Επίπεδο ηχητικής ισχύος (L_{WA}): 101 dB (A)
Αβεβαιότητα (K): 3 dB (A)

Να φοράτε υποασπίδες.

Δόνηση

ENG216-2

Η συνολική τιμή δόνησης (διανυσματικό άθροισμα τριών αξόνων) που έχει καθοριστεί σύμφωνα με την EN60745:

Κατάσταση λειτουργίας: λειτουργία σμίλευσης με πλαινή χειρολαβή
Εκπομπή δόνησης ($a_{h,CHeq}$): 12,5 m/s²
Αβεβαιότητα (K): 2,0 m/s²

Για το μοντέλο HM1307CB

Για τις Ευρωπαϊκές Χώρες μόνο

Θόρυβος

ENG102-2

Το σύνθηες σταθμισμένο επίπεδο θορύβου που έχει καθοριστεί σύμφωνα με την EN60745:

Επίπεδο ηχητικής πίεσης (L_{pA}): 81 dB (A)
Επίπεδο ηχητικής ισχύος (L_{WA}): 101 dB (A)
Αβεβαιότητα (K): 3 dB (A)

Να φοράτε υποασπίδες.

Δόνηση

ENG216-2

Η συνολική τιμή δόνησης (διανυσματικό άθροισμα τριών αξόνων) που έχει καθοριστεί σύμφωνα με την EN60745:

Κατάσταση λειτουργίας: λειτουργία σμίλευσης με πλαινή χειρολαβή
Εκπομπή δόνησης ($a_{h,CHeq}$): 12,0 m/s²
Αβεβαιότητα (K): 1,5 m/s²

Για το μοντέλο HM1317C

Για τις ευρωπαϊκές χώρες μόνο

Θόρυβος

ENG102-2

Το σύνθηες σταθμισμένο επίπεδο θορύβου που έχει καθοριστεί σύμφωνα με την EN60745:

Επίπεδο ηχητικής πίεσης (L_{pA}): 81 dB (A)
Επίπεδο ηχητικής ισχύος (L_{WA}): 101 dB (A)
Αβεβαιότητα (K): 3 dB (A)

Να φοράτε υποασπίδες.

Δόνηση

ENG216-2

Η συνολική τιμή δόνησης (διανυσματικό άθροισμα τριών αξόνων) καθορίζεται σύμφωνα με την EN60745:

Κατάσταση λειτουργίας: λειτουργία σμίλευσης με πλαινή χειρολαβή
Εκπομπή δόνησης ($a_{h,CHeq}$): 8,5 m/s²
Αβεβαιότητα (K): 1,5 m/s²

Για το μοντέλο HM1317CB

Για τις Ευρωπαϊκές Χώρες μόνο

Θόρυβος

ENG102-2

Το σύνθηες σταθμισμένο επίπεδο θορύβου που έχει καθοριστεί σύμφωνα με την EN60745:

Επίπεδο ηχητικής πίεσης (L_{pA}): 81 dB (A)
Επίπεδο ηχητικής ισχύος (L_{WA}): 101 dB (A)
Αβεβαιότητα (K): 3 dB (A)

Να φοράτε υποασπίδες.

Δόνηση

ENG216-2

Η συνολική τιμή δόνησης (διανυσματικό άθροισμα τριών αξόνων) που έχει καθοριστεί σύμφωνα με την EN60745:

Κατάσταση λειτουργίας: λειτουργία σμίλευσης με πλαινή χειρολαβή
Εκπομπή δόνησης ($a_{h,CHeq}$): 7,0 m/s²
Αβεβαιότητα (K): 1,5 m/s²

EC Δήλωση Συμμόρφωσης

ENH213-1

Η Εταιρία Makita ως υπεύθυνος κατασκευαστής, δηλώνει ότι το παρακάτω μηχάνημα ή μηχανήματα της Makita:

Όνομασία Μηχανήματος:

Ηλεκτρικός θραύστης

Αρ. Μοντέλου Τύπου

HM1307C, HM1307CB, HM1317C, HM1317CB

αποτελεί παραγωγή σε σειρά και

Συμμορφώνεται με τις ακόλουθες Ευρωπαϊκές

Οδηγίες:

2000/14/EC, 98/37/EC έως στην 28η Δεκεμβρίου 2009 και επακόλουθα με την 2006/42/EC από την 29η Δεκεμβρίου 2009

Και κατασκευάζονται σύμφωνα με τα παρακάτω πρότυπα ή τυποποιημένα έγγραφα:

EN60745

Ο εξουσιοδοτημένος μας αντιπρόσωπος στην Ευρώπη διατηρεί τα τεχνικά έγγραφα, ο οποίος είναι:

Makita International Europe Ltd.,

Michigan, Drive, Tongwell,

Milton Keynes, MK15 8JD, England

Η διαδικασία εκτίμησης συμμόρφωσης που απαιτείται από την Οδηγία 2000/14/EC εκτελέστηκε σύμφωνα με το Παράρτημα VIII.

Κοινοποιημένος Οργανισμός:

TV Rheinland Product Safety GmbH, αρ.

αναγνώρισης 0197

Μοντέλο HM1307C

Μετρημένο Επίπεδο Ηχητικής Ισχύος: 101 dB

Εγγυημένο Επίπεδο Ηχητικής Ισχύος: 103 dB

Μοντέλο HM1307CB

Μετρημένο Επίπεδο Ηχητικής Ισχύος: 101 dB

Εγγυημένο Επίπεδο Ηχητικής Ισχύος: 104 dB

Μοντέλο HM1317C

Μετρημένο Επίπεδο Ηχητικής Ισχύος: 101 dB

Εγγυημένο Επίπεδο Ηχητικής Ισχύος: 103 dB

Μοντέλο HM1317CB

Μετρημένο Επίπεδο Ηχητικής Ισχύος: 101 dB

Εγγυημένο Επίπεδο Ηχητικής Ισχύος: 104 dB

8η Απριλίου 2009



Tomoyasu Kato

Διευθυντής

Makita Corporation

3-11-8, Sumiyoshi-cho,

Anjo, Aichi, JAPAN

Makita Corporation
Anjo, Aichi, Japan

884923A995