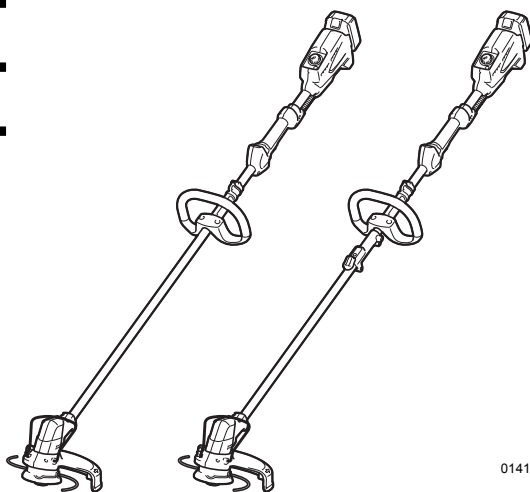




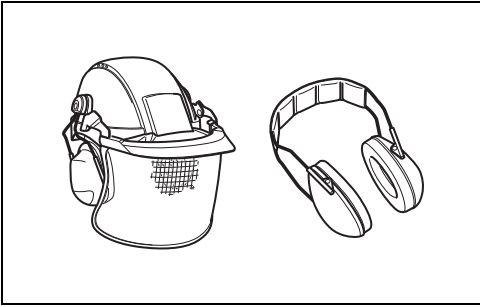
GB	Cordless Grass Trimmer	Instruction manual
F	Coupe Herbe Sans Fil	Manuel d'instructions
D	Akku-Rasentrimmer	Betriebsanleitung
I	Tagliabordi a batteria	Istruzioni per l'uso
NL	Accugrastrimmer	Gebruiksaanwijzing
E	Cortador Inalámbrico de Pasto	Manual de instrucciones
P	Tesoura para grama a bateria	Manual de instruções
DK	Batteridreven græstrimmer	Brugsanvisning
GR	Χλοκοπτικό μπαταρίας	Οδηγίες χρήσης
TR	Akülü Yan Tırpan	Kullanım kılavuzu

DUR142L
DUR182L
DUR183L



014149





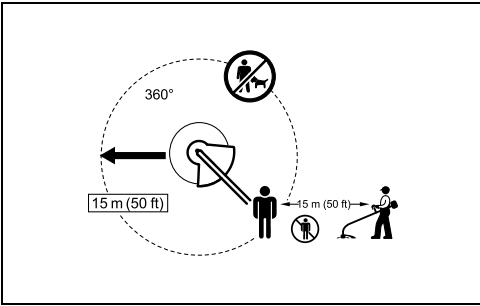
1

010820



2

010821

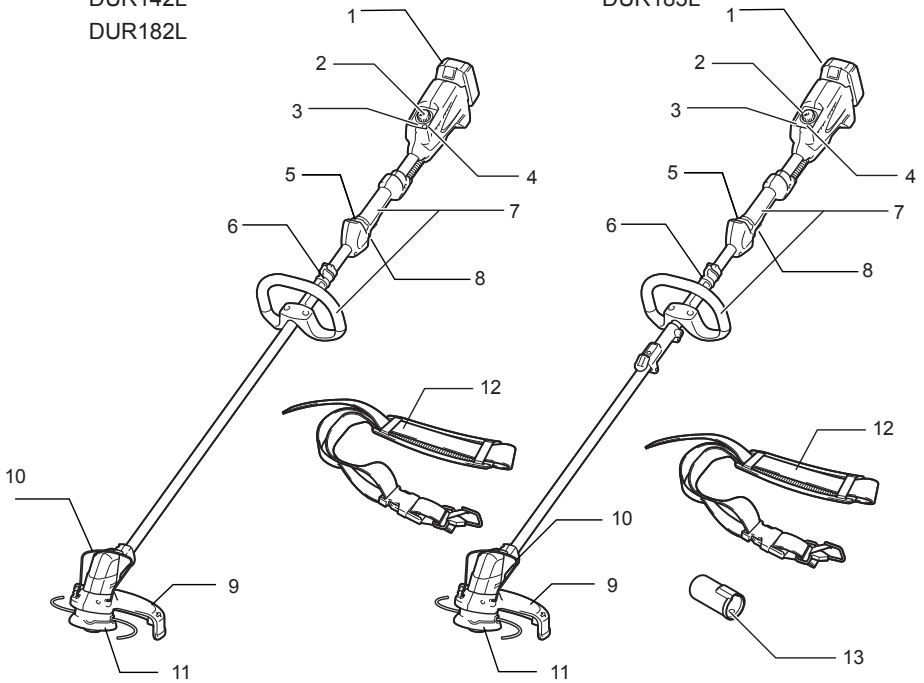


3

012858

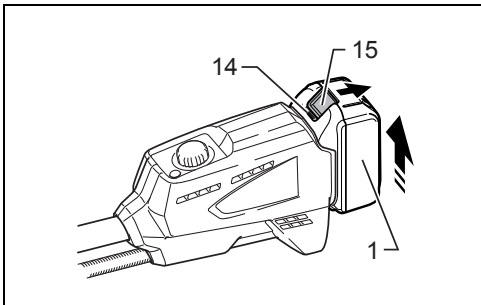
DUR142L
DUR182L

DUR183L



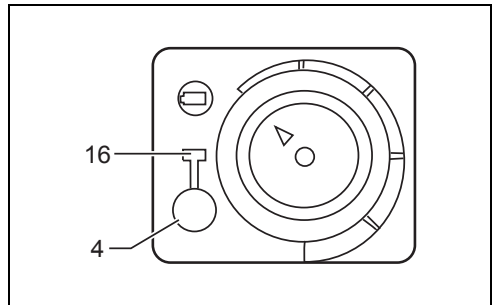
4

014160



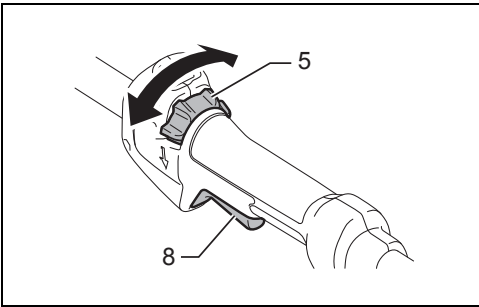
5

013921



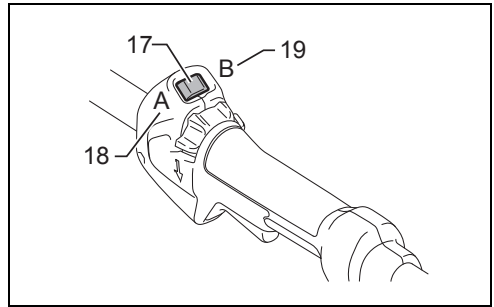
6

013834



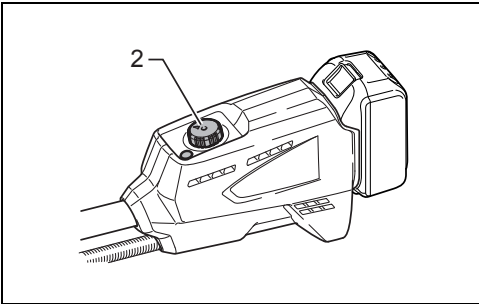
7

014158



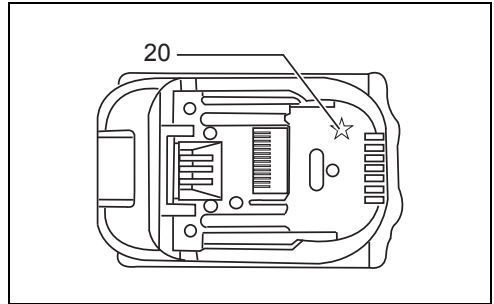
8

014159



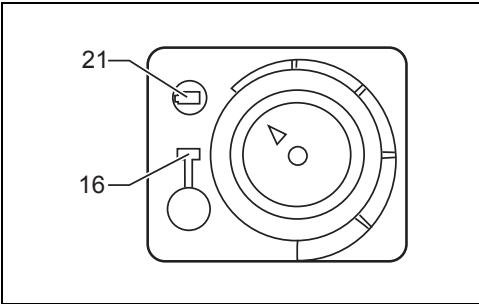
9

013922



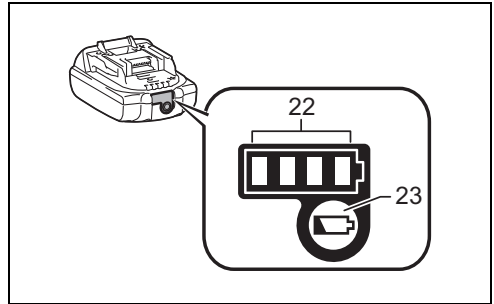
10

012128



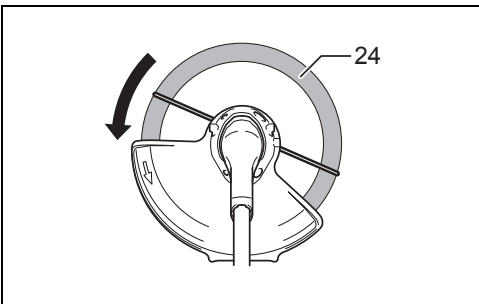
11

013836



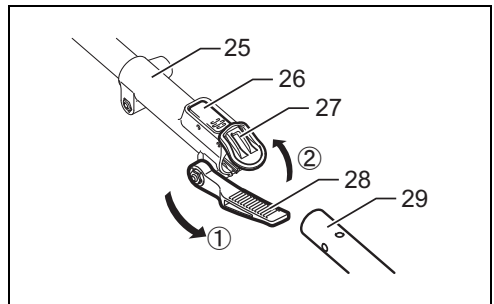
12

015659



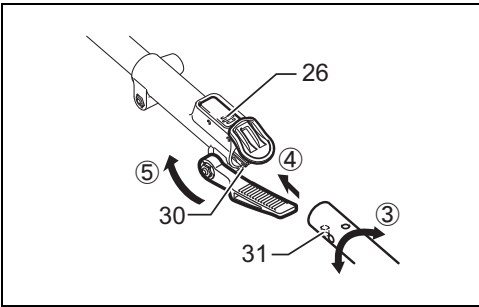
13

013811



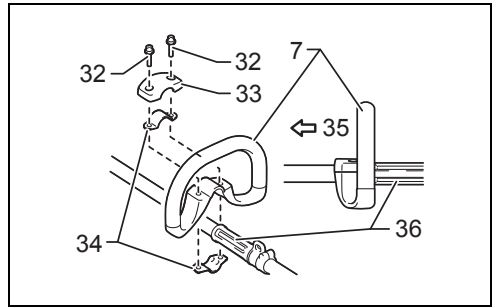
14

013831



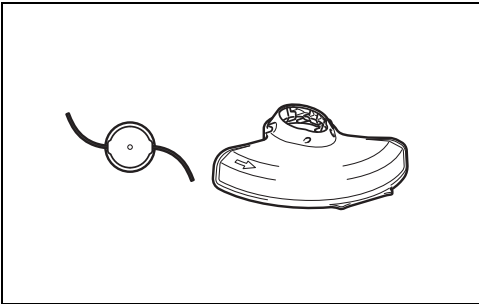
15

013832



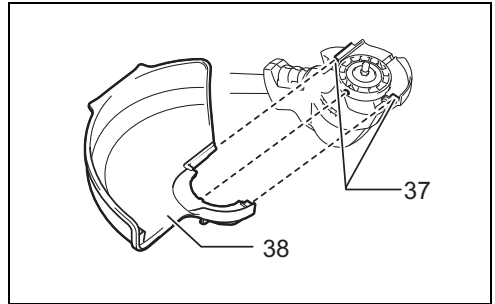
16

014155



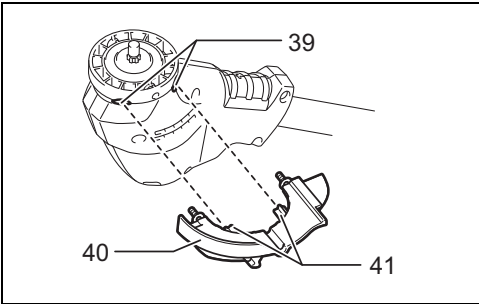
17

013813



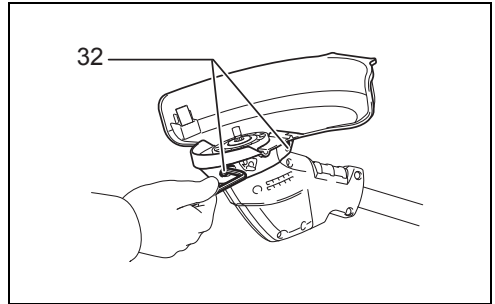
18

013839



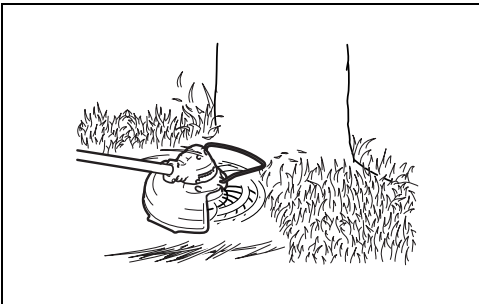
19

013838



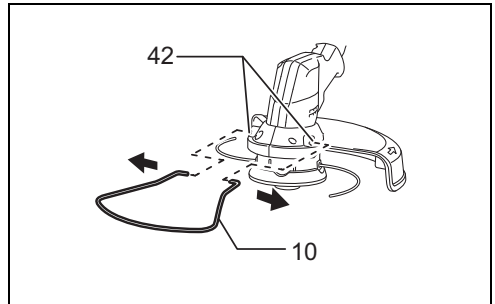
20

014185



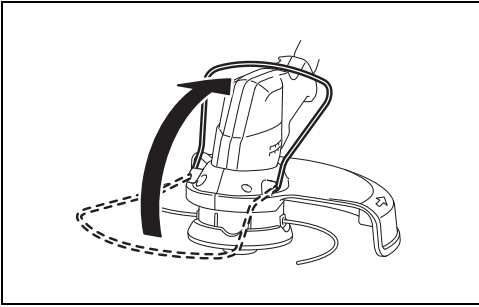
21

013843



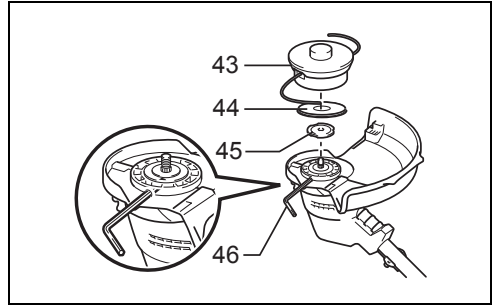
22

013841



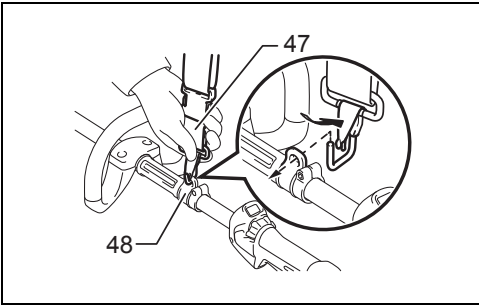
23

013842



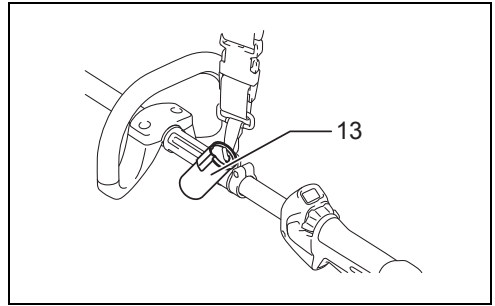
24

013817



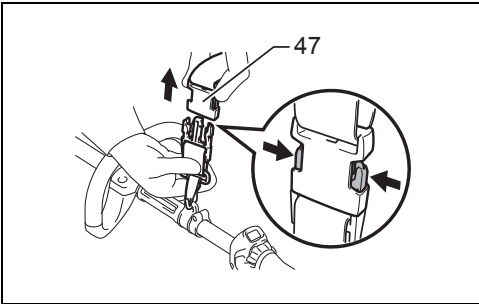
25

014156



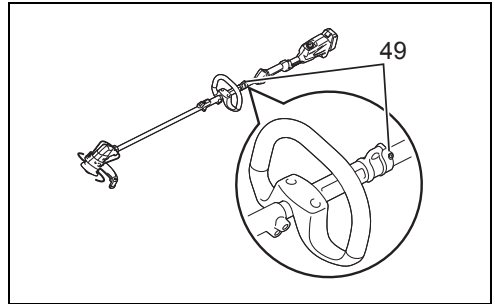
26

014165



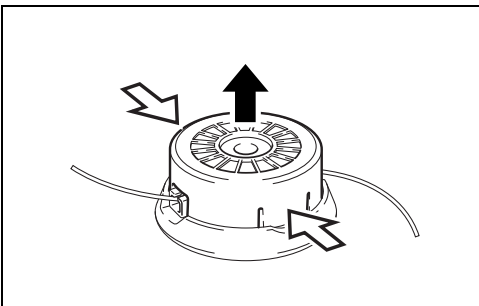
27

014157



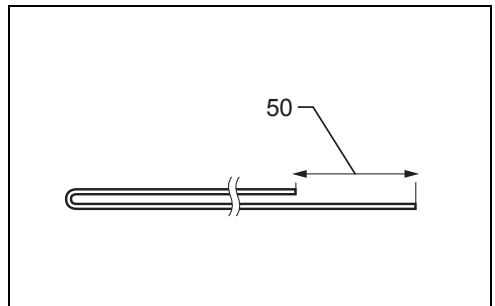
28

014164



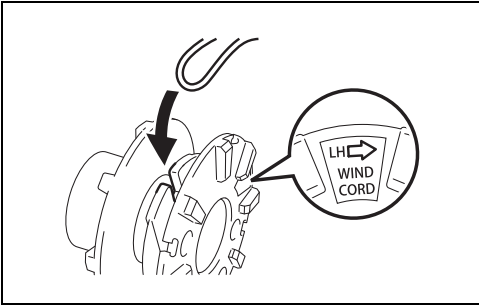
29

013822



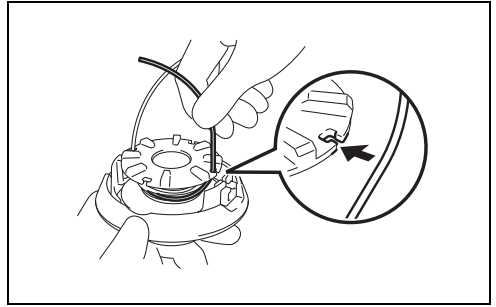
30

013823



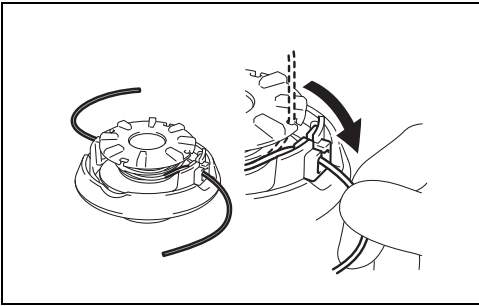
31

013824



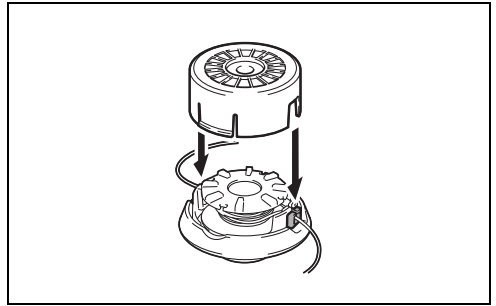
32

013825



33

013826



34

013827

ENGLISH (Original instructions)

Explanation of general view

- | | | |
|------------------------------|--|------------------------|
| 1. Battery cartridge | 18. A position depressed for normal operation | 33. Cover |
| 2. Speed adjusting dial | 19. B position depressed for weed and debris removal | 34. Clamps |
| 3. Indication lamp | 20. Star marking | 35. Cutting tool side |
| 4. Power button | 21. Battery indicator | 36. Spacer |
| 5. Lock-off lever | 22. Indicator lamps | 37. Grooves |
| 6. Hanger (suspension point) | 23. Check button | 38. Protector |
| 7. Grip | 24. Most effective cutting area | 39. Concave portions |
| 8. Switch trigger | 25. Joint | 40. Protector holder |
| 9. Guard | 26. Lock lever | 41. Protrusions |
| 10. Wire guard | 27. Joint cover | 42. Holes |
| 11. Cutting tool | 28. Lever | 43. Nylon cutting head |
| 12. Shoulder harness | 29. Pipe (Cutting tool side) | 44. Metal guard |
| 13. Cap | 30. Concave portion | 45. Receive washer |
| 14. Red indicator | 31. Protrusion | 46. Hex wrench |
| 15. Button | 32. Hex bolts | 47. Buckle |
| 16. Power indicator | | 48. Hook |
| 17. Reversing switch | | 49. Hex bolt |
| | | 50. 80-100 mm |

SPECIFICATIONS

Model	DUR142L	DUR182L	DUR183L
Type of pipe	Integrated pipe		Splittable pipe
No load speed	3,500 - 6,000 min ⁻¹		
Overall length with nylon cutting head	1,843 mm		
Split length	—		982 mm
Cutting diameter with nylon cutting head	300 mm		
Net weight (with BL1430 or BL1830)	3.8 kg	3.9 kg	4.1 kg
Rated voltage	D.C. 14.4 V	D.C. 18 V	
Standard battery cartridge and charger ⚠ Always keep the combinations of battery/charger on the right columns.	BL1415N, BL1430, BL1440, BL1450/DC18RC	BL1815N, BL1820, BL1820B, BL1830, BL1840, BL1840B, BL1850, BL1850B/DC18RC	

- Due to our continuing program of research and development, the specifications herein are subject to change without notice.
- Specifications and battery cartridge may differ from country to country.
- Weight, with battery cartridge, according to EPTA-Procedure 01/2003

Noise	Sound pressure level		Applicable standard or directive
	Model	L _{PA} (dB (A))	
	DUR142L	78	1.0
	DUR182L/DUR183L	79	0.7
			2000/14/EC

- Even if the sound pressure level listed above is 80 dB (A) or less, the level under working may exceed 80 dB (A). Wear ear protection.

Vibration	Front grip		Rear grip		Applicable standard or directive
	Model	a _h (m/s ²)	Uncertainty K (m/s ²)	a _h (m/s ²)	
	DUR142L	≤ 2.5	1.5	≤ 2.5	1.5
	DUR182L/DUR183L	≤ 2.5	1.5	≤ 2.5	1.5
					EN786

- The declared vibration emission value has been measured in accordance with the standard test method and may be used for comparing one tool with another.
- The declared vibration emission value may also be used in a preliminary assessment of exposure.

⚠ WARNING:

- The vibration emission during actual use of the power tool can differ from the declared emission value depending on the ways in which the tool is used.
- Be sure to identify safety measures to protect the operator that are based on an estimation of exposure in the actual conditions of use (taking account of all parts of the operating cycle such as the times when the tool is switched off and when it is running idle in addition to the trigger time).

Symbols

The following show the symbols used for the equipment. Be sure that you understand their meaning before use.

-  Take particular care and attention.
-  Read instruction manual.
-  Danger; be aware of thrown objects.
-  The distance between the tool and bystanders must be at least 15 m.
-  Keep bystanders away.
-  Keep distance at least 15 m.
-  Wear a helmet, goggles and ear protection.
-  Wear protective gloves.
-  Wear sturdy boots with nonslip soles. Steeltoed safety boots are recommended.
-  Do not expose to moisture.
-  Top permissible tool speed.
-  Never use metal blade.
-  Only for EU countries
Do not dispose of electric equipment or battery pack together with household waste material!
In observance of the European Directives, on Waste Electric and Electronic Equipment and Batteries and Accumulators and Waste Batteries and Accumulators and their implementation in accordance with national laws, electric equipment and

batteries and battery pack(s) that have reached the end of their life must be collected separately and returned to an environmentally compatible recycling facility.

**For European countries only
EC Declaration of Conformity**

Makita declares that the following Machine(s):

Designation of Machine:
Cordless Grass Trimmer
Model No./Type: DUR142L, DUR182L, DUR183L
Specifications: see "SPECIFICATIONS" table.

Conforms to the following European Directives:

2000/14/EC, 2006/42/EC

They are manufactured in accordance with the following standard or standardized documents:

EN60335

The technical file in accordance with 2006/42/EC is available from:

Makita, Jan-Baptist Vinkstraat 2, 3070, Belgium

The conformity assessment procedure required by Directive 2000/14/EC was in Accordance with annex VI.

Notified Body:

TÜV Rheinland LGA Products GmbH
Tillystraße 2
90431 Nürnberg, Germany
Identification number 0197

Model DUR142L

Measured Sound Power Level: 89 dB (A)

Guaranteed Sound Power Level: 90 dB (A)

Model DUR182L, DUR183L

Measured Sound Power Level: 90 dB (A)

Guaranteed Sound Power Level: 90 dB (A)

31. 12. 2013



Yasushi Fukaya
Director

Makita, Jan-Baptist Vinkstraat 2, 3070, Belgium

IMPORTANT SAFETY INSTRUCTIONS

⚠ WARNING! Read all safety warnings and all instructions. Failure to follow the warnings and instructions may result in electric shock, fire and/or serious injury.

Save all warnings and instructions for future reference.

1. **Be familiar with the controls and proper use of the equipment.**
2. **Cutting elements continue to rotate after the motor is switched off.**
3. **Never allow children or people unfamiliar with the instructions to use the machine.**

4. Stop using the machine while people, especially children, or pets are nearby.
5. Only use the machine in daylight or good artificial light.
6. Before using the machine and after any impact, check for signs of wear or damage and repair as necessary.
7. Take care against injury from any device fitted for trimming the filament line length. After extending new cutter line always return the machine to its normal operating position before switching on.
8. Never fit metal cutting elements.
9. This appliance is not intended for use by persons (including children) with reduced physical, sensory or mental capabilities, or lack of experience and knowledge, unless they have been given supervision or instruction concerning use of the appliance by a person responsible for their safety. Children should be supervised to ensure that they do not play with the appliance.
10. Use the tool with the utmost care and attention.
11. Operate the tool only if you are in good physical condition. Perform all work calmly and carefully. Use common sense and keep in mind that the operator or user is responsible for accidents or hazards occurring to other people or their property.
12. Never operate the tool when tired, feeling ill or under the influence of alcohol or drugs.
13. The tool should be switched off immediately if it shows any signs of unusual operation.

Intended use of the tool

1. Use right tool. The cordless grass trimmer is only intended for cutting grass, light weeds. It should not be used for any other purpose such as hedge cutting as this may cause injury.

Personal protective equipment (Fig. 1 & 2)

1. Dress properly. The clothing worn should be functional and appropriate, i.e. it should be tight-fitting but not cause hindrance. Do not wear either jewelry or clothing which could become entangled with high grass. Wear protective hair covering to contain long hair.
2. When using the tool, always wear sturdy shoes with a non-slip sole. This protects against injuries and ensures a good footing.
3. Wear protective glasses or goggles.

Electrical and battery safety

1. Avoid dangerous environment. Don't use the tool in damp or wet locations or expose it to rain. Water entering the tool will increase the risk of electric shock.
2. Recharge only with the charger specified by the manufacturer. A charger that is suitable for one type of battery pack may create a risk of fire when used with another battery pack.
3. Use power tools only with specifically designated battery packs. Use of any other battery packs may create a risk of injury and fire.
4. When battery pack is not in use, keep it away from other metal objects, like paper clips, coins, keys, nails, screws or other small metal objects, that can make a connection from one terminal to another.

Shorting the battery terminals together may cause burns or a fire.

5. Under abusive conditions, liquid may be ejected from the battery; avoid contact. If contact accidentally occurs, flush with water. If liquid contacts eyes, seek medical help. Liquid ejected from the battery may cause irritation or burns.
6. Do not dispose of the battery(ies) in a fire. The cell may explode. Check with local codes for possible special disposal instructions.
7. Do not open or mutilate the battery(ies). Released electrolyte is corrosive and may cause damage to the eyes or skin. It may be toxic if swallowed.

Starting up the tool (Fig. 3)

1. Make sure that there are no children or other people within a working range of 15 meters (50 ft), also pay attention to any animals in the working vicinity. Otherwise stop using the tool.
2. Before use always check that the tool is safe for operation. Check the security of the cutting tool and the guard and the switch trigger/lever for easy and proper action. Check for clean and dry handles and test the on/off function of the switch.
3. Check damaged parts before further use of the tool. A guard or other part that is damaged should be carefully checked to determine that it will operate properly and perform its intended function. Check for alignment of moving parts, binding of moving parts, breakage of parts, mounting, and any other condition that may affect its operation. A guard or other part that is damaged should be properly repaired or replaced by our authorized service center unless indicated elsewhere in this manual.
4. Switch on the motor only when hands and feet are away from the cutting tool.
5. Before starting make sure that the cutting tool has no contact with hard objects such as branches, stones etc. as the cutting tool will revolve when starting.

Method of operation

1. Never operate the machine with damaged guards or without the guards in place.
2. Only use the tool in good light and visibility. During the winter season beware of slippery or wet areas, ice and snow (risk of slipping). Always ensure a safe footing.
3. Take care against injury to feet and hands from the cutting tool.
4. Keep hands and feet away from the cutting means at all times and especially when switching on the motor.
5. Never cut above waist height.
6. Never stand on a ladder and run the tool.
7. Never work on unstable surfaces.
8. Don't overreach. Keep proper footing and balance at all times.
9. Remove sand, stones, nails etc. found within the working range. Foreign particles may damage the cutting tool and can cause to be thrown away, resulting in a serious injury.

10. Should the cutting tool hit stones or other hard objects, immediately switch off the motor and inspect the cutting tool.
11. Before commencing cutting, the cutting tool must have reached full working speed.
12. During operation always hold the tool with both hands. Never hold the tool with one hand during use. Always ensure a safe footing.
13. All protective equipment such as guards supplied with the tool must be used during operation.
14. Except in case of emergency, never drop or cast the tool to the ground or this may severely damage the tool.
15. Never drag the tool on the ground when moving from place to place, the tool may become damaged if moved in this manner.
16. Always remove the battery cartridge from the tool:
 - whenever leaving the tool unattended;
 - before clearing a blockage;
 - before checking, cleaning or working on the tool;
 - before making any adjustments, changing accessories or storing;
 - whenever the tool starts vibrating unusually;
 - whenever transporting the tool.
17. Don't force the tool. It will do the job better and with less likelihood of a risk of injury at the rate for which it was designed.

Maintenance instructions

1. The condition of the cutting tool, protective devices and shoulder strap must be checked before commencing work.
2. Turn off the motor and remove the battery cartridge before carrying out maintenance, replacing the cutting tool and cleaning the tool.
3. After use, disconnect the battery cartridge from the tool and check for damage.
4. Check for loose fasteners and damaged parts such as nearly halfway cut-off state in the cutting tool.
5. When not in use store the equipment in a dry location that is locked up or out of children's reach.
6. Use only the manufacturer's recommended replacement parts and accessories.
7. Always ensure that ventilation openings are kept clear of debris.
8. Inspect and maintain the tool regularly, especially before/after use. Have the tool repaired only by our authorized service center.
9. Keep handles dry, clean and free from oil and grease.

SAVE THESE INSTRUCTIONS.

WARNING:

DO NOT let comfort or familiarity with product (gained from repeated use) replace strict adherence to safety rules for the subject product. MISUSE or failure to follow the safety rules stated in this instruction manual may cause serious personal injury.

IMPORTANT SAFETY INSTRUCTIONS

ENC007-9

FOR BATTERY CARTRIDGE

1. Before using battery cartridge, read all instructions and cautionary markings on (1) battery charger, (2) battery, and (3) product using battery.
2. Do not disassemble battery cartridge.
3. If operating time has become excessively shorter, stop operating immediately. It may result in a risk of overheating, possible burns and even an explosion.
4. If electrolyte gets into your eyes, rinse them out with clear water and seek medical attention right away. It may result in loss of your eyesight.
5. Do not short the battery cartridge:
 - (1) Do not touch the terminals with any conductive material.
 - (2) Avoid storing battery cartridge in a container with other metal objects such as nails, coins, etc.
 - (3) Do not expose battery cartridge to water or rain.

A battery short can cause a large current flow, overheating, possible burns and even a breakdown.

6. Do not store the tool and battery cartridge in locations where the temperature may reach or exceed 50°C (122°F).
7. Do not incinerate the battery cartridge even if it is severely damaged or is completely worn out. The battery cartridge can explode in a fire.
8. Be careful not to drop or strike battery.
9. Do not use a damaged battery.
10. Follow your local regulations relating to disposal of battery.

SAVE THESE INSTRUCTIONS.

Tips for maintaining maximum battery life

1. Charge the battery cartridge before completely discharged.

Always stop tool operation and charge the battery cartridge when you notice less tool power.
2. Never recharge a fully charged battery cartridge. Overcharging shortens the battery service life.
3. Charge the battery cartridge with room temperature at 10°C - 40°C (50°F - 104°F). Let a hot battery cartridge cool down before charging it.
4. Charge the battery cartridge if you do not use it for a long period (more than six months).

Parts description (Fig. 4)

FUNCTIONAL DESCRIPTION

WARNING:

- Always be sure that the tool is switched off and battery cartridge is removed before adjusting or checking the functions on the tool. Failure to switch

off and remove the battery cartridge may result in serious personal injury from accidental start-up.

Installing or removing battery cartridge (Fig. 5)

CAUTION:

- Always switch off the tool before installing or removing of the battery cartridge.
- **Hold the tool and the battery cartridge firmly when installing or removing battery cartridge.** Failure to hold the tool and the battery cartridge firmly may cause them to slip off your hands and result in damage to the tool and battery cartridge and a personal injury.

To remove the battery cartridge, slide it from the tool while sliding the button on the front of the cartridge.

To install the battery cartridge, align the tongue on the battery cartridge with the groove in the housing and slip it into place. Insert it all the way until it locks in place with a little click. If you can see the red indicator on the upper side of the button, it is not locked completely.

CAUTION:

- Always install the battery cartridge fully until the red indicator cannot be seen. If not, it may accidentally fall out of the tool, causing injury to you or someone around you.
- Do not install the battery cartridge forcibly. If the cartridge does not slide in easily, it is not being inserted correctly.

Power switch action

WARNING:

- **Before inserting the battery cartridge in the tool, always check to see that the switch trigger actuates properly and returns to the “OFF” position when released. Do not pull the switch trigger hard without turning the lock-off lever. This can cause switch breakage.** Operating a tool with a switch that does not actuate properly can lead to loss of control and serious personal injury. (Fig. 6)

Push the power button on the housing so that the tool is powered on and power indicator lights. (Fig. 7)

To prevent the switch trigger from being accidentally pulled, a lock-off lever is provided.

To start the tool, turn the lock-off lever and then pull the switch trigger. Release the switch trigger to stop.

NOTE:

- After the power button is pushed and the tool is left one minute without any operations, the tool is automatically powered off.

Reversing switch for debris removal

WARNING:

- **Always be sure that the tool is switched off and battery cartridge is removed before removing weeds or debris entangled in the tool that could not be removed when operated in the reverse mode.** Failure to switch off and remove the battery cartridge may result in serious personal injury from accidental start-up. (Fig. 8)

This tool has a reversing switch which is only provided to change the direction of rotation so that it can be used to

remove weeds and debris entangled in the tool. To operate the tool normally the “A” side of the switch should be depressed.

To remove weeds and debris that are jammed in the rotating head the tool can be reversed by depressing the “B” side of the switch. In the reverse position the tool will only operate for a short period of time and automatically shut off.

NOTICE:

- Always check the direction of rotation before operation.
- Use the reversing switch only after the tool comes to a complete stop. Changing the direction of rotation before the tool stops may damage it.

Speed adjusting dial (Fig. 9)

The tool speed can be infinitely adjusted from 3,500 min⁻¹ to 6,000 min⁻¹ with the speed adjusting dial.

Turn the speed adjusting dial clockwise for higher speed, and counterclockwise for lower speed.

Battery protection system (Lithium-ion battery with star marking) (Fig. 10)

Lithium-ion batteries with a star marking are equipped with a protection system. This system automatically cuts off power to the tool to extend battery life.

The tool will automatically stop during operation if the tool and/or battery are placed under one of the following conditions:

- Overloaded:

The tool is operated in a manner that causes it to draw an abnormally high current.

In this situation, release the switch trigger on the tool and stop the application that caused the tool to become overloaded. Then pull the switch trigger again to restart.

If the tool does not start, the battery is overheated. In this situation, let the battery cool before pulling the switch trigger again.

- Low battery voltage:

The remaining battery capacity is too low and the tool will not operate. In this situation, remove and recharge the battery.

Indication lamps (Fig. 11)

When the protection system works during the operation, the lamps light up.

Refer to the following table for the status and action to be taken for the indication lamp.

Power indicator	Battery indicator	Status	Action to be taken
/	Blinking	Battery power has been nearly used up.	Replace the battery with fully charged one.
/	Lighting up	Battery protector is shutting off the power - battery power has been used up.	Replace the battery with fully charged one.
Blinking	/	Overheat protector is shutting off the power - overheating.	Rest and cool down the equipment for a while.

013900

Indicating the remaining battery capacity

(Only for battery cartridges with "B" at the end of the model number.) (Fig. 12)

Press the check button on the battery cartridge to indicate the remaining battery capacity. The indicator lamps light up for few seconds.

Indicator lamps			Remaining capacity
Lighted	Off	Blinking	
			75% to 100%
			50% to 75%
			25% to 50%
			0% to 25%
			Charge the battery.
			The battery may have malfunctioned.

015658

NOTE:

- Depending on the conditions of use and the ambient temperature, the indication may differ slightly from the actual capacity.

Nylon cutting head

NOTICE:

- Do not attempt to bump feed the head while the tool is operating at a high RPM. Bump feeding at a high RPM may cause damage to the nylon cutting head.
- The bump feed will not operate properly if the head is not rotating. (Fig. 13)

The nylon cutting head is a dual grass trimmer head provided with a bump & feed mechanism.

To cause the nylon cord to feed out, the cutting head should be bumped against the ground while rotating at a low RPM.

NOTE:

If the nylon cord does not feed out while bumping the head, rewind/replace the nylon cord by following the procedures described under "Maintenance".

ASSEMBLY

⚠ WARNING:

- Always be sure that the tool is switched off and battery cartridge is removed before carrying out any work on the tool.** Failure to switch off and remove the battery cartridge may result in serious personal injury from accidental start-up.
- Never start the tool unless it is completely assembled.** Operation of the tool in a partially assembled state may result in serious personal injury from accidental start-up.

Mounting the attachment pipe

Only for model DUR183L (Fig. 14)

To mount the attachment to a power unit:

- Make sure that the lever is not tightened.
- To open the entrance of the joint, depress the joint cover. (Fig. 15)
- Align the protrusion on the pipe (cutting tool side) with the concave portion of the joint part.
- Insert the attachment pipe into the joint part. Make sure that the surface of the lock lever is horizontal to the pipe.
- Tighten the lever firmly as shown.

To remove the attachment, loosen the lever, press the front part of the lock lever and then slide the pipe.

Installing the grip (Fig. 16)

Fit the grip onto the shaft pipe and tighten it with two hex bolts. Make sure that the spacer on the shaft pipe is located between the grip assembly and the other grip. Do not remove or shrink the spacer.

⚠ CAUTION:

- For model DUR183L, never install the grip on the joint.

Installing the guard

⚠ WARNING:

- Never use the tool without the guard illustrated in place.** Failure to do so can cause serious personal injury. (Fig. 17 & 18)

Align the protrusions on the protector with the grooves of the motor housing. (Fig. 19)

Align the protrusions on the protector holder with the concave portions of the motor housing. Insert the protector holder to the motor housing. (Fig. 20)
After attaching the protector and the protector holder to the motor housing, tighten the hex bolts securely.

Installing the wire guard

CAUTION:

- Before adjusting the wire guard, wait for the cutting head comes to standstill. Do not adjust the wire guard with your foot. (Fig. 21)

To reduce the risk damaging the objects in front of the cutting head, insert the wire guard so that it controls the cutting range of the mowing line. (Fig. 22)

Slightly expand the wire guard outward and then insert it into the holes of the protector.

NOTE:

- Do not expand the wire guard outward too much. Otherwise it may break. (Fig. 23)

When wire guard is not in use, lift it for the idle position.

Installing nylon cutting head

NOTICE:

- Be sure to use genuine Makita nylon cutting head. Turn the tool upside down so that you can replace the nylon cutting head easily. (Fig. 24)
Insert the hex wrench through the hole on the protector cover and the motor housing and rotate the receive washer until it is locked with the hex wrench. Mount the metal guard, the nylon cutting head onto the threaded spindle directly and tighten it by turning it counterclockwise. Remove the hex wrench.
To remove the nylon cutting head, turn the nylon cutting head clockwise while holding the receive washer with the hex wrench.

CAUTION:

- **If during operation the nylon cutting head accidentally impacts a rock or hard object the trimmer should be stopped and inspected for any damage. If the nylon cutting head is damaged it should be replaced immediately.** Use of a damaged nylon cutting head could result in serious personal injury.

OPERATION

Correct handling of tool

Attachment of shoulder harness (Fig. 25)

Put the shoulder harness on. Then connect the buckles on both the hook and the harness. Be sure that the buckles click and lock completely in place.

Only for model DUR183L (Fig. 26)

When the cap is not in use, hang it on the hook.

Detachment (Fig. 27)

The buckle is provided with a means of quick release. Simply squeeze the sides and the buckle to release the tool.

WARNING:

- **Be extremely careful to maintain control of the tool at all times. Do not allow the tool to be deflected**

toward you or anyone in the work vicinity. Failure to keep control of the tool could result in serious injury to the bystander and the operator.

Adjustment of the hanger position and shoulder harness (Fig. 28)

To change the hanger position, loosen the hex bolt on the hanger with the supplied wrench. Then move the hanger. After adjusting the hanger position, tighten the hex bolt with the wrench securely.

MAINTENANCE

WARNING:

- **Always be sure that the tool is switched off and battery cartridge is removed before attempting to perform inspection or maintenance on the tool.** Failure to switch off and remove the battery cartridge may result in serious personal injury from accidental start-up.

NOTICE:

Never use gasoline, benzene, thinner, alcohol or the like. Discoloration, deformation or cracks may result.

Replacing the nylon cord

WARNING:

- **Make sure that the cover of the nylon cutting head is secured to the housing properly as described below.** Failure to properly secure the cover may cause the nylon cutting head to fly apart resulting in serious personal injury. (Fig. 29)

Take off cover from housing, pressing two latches which are slotted section oppositely on side of housing. (Fig. 30)
Cut a nylon line in 3-6 m. Fold the cutting line in two halves, leave one of half longer 80-100 mm than another. (Fig. 31)

Hook the middle of the new nylon cord to the notch located at the center of the spool between the 2 channels provided for the nylon cord.

Wind both ends firmly around the spool in the direction marked on the head for left hand direction indicated by LH. (Fig. 32)

Wind all but about 100 mm of the cords, leaving the ends temporarily hooked through a notch on the side of the spool. (Fig. 33)

Mount the spool on the cover so that the grooves and protrusions on the spool match up with those on the cover. Now, unhook the ends of the cord from their temporary position and feed the cords through the eyelets to come out of the cover. (Fig. 34)

Align the protrusion on the underside of the cover with the slots of the eyelets. Then push the cover firmly onto the housing to secure it. Make sure the latches fully spread in the cover.

To maintain product SAFETY and RELIABILITY, repairs, any other maintenance or adjustment should be performed by Makita Authorized Service Centers, always using Makita replacement parts.

TROUBLE SHOOTING

Before asking for repairs, conduct your own inspection first. If you find a problem that is not explained in the manual, do not attempt to dismantle the tool. Instead, ask Makita Authorized Service Centers, always using Makita replacement parts for repairs.

Malfunction status	Cause	Action
Motor does not run.	Battery cartridge is not installed.	Install the battery cartridge.
	Battery problem (under voltage)	Recharge the battery. If recharging is not effective, replace battery.
	The drive system does not work correctly.	Ask your local authorized service center for repair.
Motor stops running after a little use.	Rotation is in reverse.	Change the direction of rotation with the reversing switch.
	Battery's charge level is low.	Recharge the battery. If recharging is not effective, replace battery.
	Overheating.	Stop using of tool to allow it to cool down.
It does not reach maximum RPM.	Battery is installed improperly.	Install the battery cartridge as described in this manual.
	Battery power is dropping.	Recharge the battery. If recharging is not effective, replace battery.
	The drive system does not work correctly.	Ask your local authorized service center for repair.
Cutting tool does not rotate: Stop the machine immediately!	Foreign object such as a branch is jammed between the guard and the nylon cutting head.	Remove the foreign object.
	The drive system does not work correctly.	Ask your local authorized service center for repair.
Abnormal vibration: Stop the machine immediately!	One end of the nylon cord has been broken.	Bump the nylon cutting head against the ground while it is rotating to cause the cord to feed.
	The drive system does not work correctly.	Ask your local authorized service center for repair.
Cutting tool and motor cannot stop: Remove the battery immediately!	Electric or electronic malfunction.	Remove the battery and ask your local authorized service center for repair.

010856

OPTIONAL ACCESSORIES

CAUTION:

- These accessories or attachments are recommended for use with your Makita tool specified in this manual. The use of any other accessories or attachments might present a risk of injury to persons. Only use accessory or attachment for its stated purpose.

If you need any assistance for more details regarding these accessories, ask your local Makita Service Center.

- Nylon cutting head
- Nylon cord (cutting line)
- Shoulder harness
- Hex wrench
- Makita genuine battery and charger

NOTE:

- Some items in the list may be included in the tool package as standard accessories. They may differ from country to country.

FRANÇAIS (Instructions d'origine)

Descriptif

- | | | |
|--|---|---|
| 1. Batterie | 19. Position B pour le retrait des mauvaises herbes et des débris | 36. Douille d'écartement |
| 2. Molette de réglage de la vitesse | 20. Étoile | 37. Rainures |
| 3. Voyant | 21. Indicateur de batterie | 38. Dispositif de protection |
| 4. Bouton d'alimentation | 22. Voyants | 39. Parties concaves |
| 5. Levier de sécurité | 23. Bouton de vérification | 40. Support de protection |
| 6. Crochet (point de suspension) | 24. Zone de coupe la plus efficace | 41. Parties saillantes |
| 7. Poignée | 25. Joint | 42. Orifices |
| 8. Gâchette | 26. Levier de verrouillage | 43. Tête à fil de nylon |
| 9. Protège-lame | 27. Couvre-joint | 44. Dispositif de protection métallique |
| 10. Protège-fil | 28. Levier | 45. Rondelle de réception |
| 11. Outil de coupe | 29. Tuyau (du côté de l'outil de coupe) | 46. Clé hexagonale |
| 12. Bandoulière | 30. Partie concave | 47. Boucle |
| 13. Coiffe | 31. Partie saillante | 48. Crochet |
| 14. Voyant rouge | 32. Boulons hexagonaux | 49. Boulon hexagonal |
| 15. Bouton | 33. Protège-lame | 50. 80-100 mm |
| 16. Inverseur | 34. Dispositifs de serrage | |
| 18. Position A pour le fonctionnement normal | 35. Côté outil de coupe | |

SPÉCIFICATIONS

Modèle	DUR142L	DUR182L	DUR183L
Type de tuyau	Tuyau intégré		Tuyau divisible
Vitesse à vide	3 500 - 6 000 min ⁻¹		
Longueur totale avec la tête à fil de nylon	1 843 mm		
Longueur de la fente	—		982 mm
Diamètre de coupe avec la tête à fil de nylon	300 mm		
Poids net (avec BL 1430 ou BL 1830)	3,8 kg	3,9 kg	4,1 kg
Tension nominale	14,4 V C.C.		
Batterie standard et chargeur ⚠ Associez toujours les batteries et chargeurs comme indiqué dans les colonnes de droite.	BL1415N, BL1430, BL1440, BL1450/DC18RC	BL1815N, BL1820, BL1820B, BL1830, BL1840, BL1840B, BL1850, BL1850B/DC18RC	

- Était donné l'évolution constante de notre programme de recherche et de développement, les spécifications contenues dans ce manuel sont sujettes à des modifications sans préavis.
- Les spécifications et la batterie peuvent varier d'un pays à l'autre.
- Poids, batterie incluse, selon la procédure EPTA 01/2003

Bruit	Niveau de pression sonore		Norme ou directive applicable	
	Modèle	L _{PA} (dB (A))		Incertitude K (dB (A))
	DUR142L	78	1,0	2000/14/CE
	DUR182L/DUR183L	79	0,7	

- Même si le niveau de pression sonore indiqué ci-dessus est de 80 dB (A) ou moins, le niveau en fonctionnement peut dépasser 80 dB (A). Portez des protections auditives.

Vibrations	Poignée avant		Poignée arrière		Norme ou directive applicable	
	Modèle	a _h (m/s ²)	Incertitude K (m/s ²)	a _h (m/s ²)		Incertitude K (m/s ²)
	DUR142L	≤ 2,5	1,5	≤ 2,5	1,5	EN786
	DUR182L/DUR183L	≤ 2,5	1,5	≤ 2,5	1,5	



- La valeur de l'émission des vibrations déclarée a été mesurée conformément à la méthode de test standard et peut être utilisée afin de comparer des outils entre eux.
- La valeur de l'émission des vibrations déclarée peut également être utilisée lors d'une évaluation préliminaire de l'exposition.













⚠ AVERTISSEMENT :

- Selon la manière dont l'outil est utilisé, il est possible que l'émission des vibrations pendant l'utilisation réelle de l'outil électrique diffère de la valeur de l'émission déclarée.
- Veuillez à identifier les mesures de sécurité destinées à protéger l'opérateur et établies en fonction de l'estimation de l'exposition dans les conditions réelles d'utilisation (en prenant en compte toutes les étapes du cycle de fonctionnement, telles que les périodes de mise hors tension de l'outil, les périodes de fonctionnement au ralenti et les périodes de mise en route).

Symboles

END020-3

Les symboles utilisés pour l'appareil sont indiqués ci-dessous. Assurez-vous d'avoir bien compris leur signification avant d'utiliser l'appareil.

-  Usez d'attention et de soins particuliers.
-  Reportez-vous au manuel d'instructions.
-  Danger ; méfiez-vous du risque de projection d'objets.
-  La distance entre l'appareil et les spectateurs doit être d'au moins 15 m.
-  Éloignez les spectateurs.
-  Tenez-les à une distance d'au moins 15 m.
-  Portez un casque protecteur, des lunettes de sécurité et des protections d'oreilles.
-  Portez des gants de protection.
-  Portez des bottes de sécurité avec des semelles antidérapantes. Les bottes de sécurité munies d'une coquille en acier sont recommandées.
-  Tenez l'appareil à l'abri de l'humidité.
-  Vitesse maximale autorisée pour l'outil.
-  N'utilisez jamais de lame en métal.

Pour les pays européens uniquement
Ne pas jeter les appareils électriques et les bloc-batteries dans les ordures ménagères !
Conformément aux directives européennes relatives aux déchets d'équipements électriques ou électroniques (DEEE) ainsi qu'aux batteries, aux accumulateurs et aux batteries et accumulateurs usagés et à leur transposition dans la législation nationale, les appareils électriques, les batteries et les bloc-batteries doivent être collectés à part et être soumis à un recyclage respectueux de l'environnement.

Pour les pays d'Europe uniquement

ENH219-3

Déclaration de conformité CE

Makita déclare que la/les machine(s) suivante(s) :

Nom de la machine :

Coupe Herbe Sans Fil

N° de modèle/Type : DUR142L, DUR182L, DUR183L

Spécifications : voir le tableau

« SPÉCIFICATIONS ».

sont conformes aux directives européennes suivantes :

2000/14/CE, 2006/42/CE

sont produites conformément aux normes ou documents de normalisation suivants :

EN60335

Le dossier technique conforme à la norme 2006/42/CE est disponible auprès de :

Makita, Jan-Baptist Vinkstraat 2, 3070, Belgique

La procédure d'évaluation de la conformité requise par la directive 2000/14/CE est conforme à l'annexe VI.

Organisme notifié :

TÜV Rheinland LGA Products GmbH

Tillystraße 2

90431 Nürnberg, Allemagne

Numéro d'identification 0197

Modèle DUR142L

Niveau de puissance sonore mesurée : 89 dB (A)

Niveau de puissance sonore garantie : 90 dB (A)

Modèle DUR182L, DUR183L

Niveau de puissance sonore mesurée : 90 dB (A)

Niveau de puissance sonore garantie : 90 dB (A)

31. 12. 2013



Yasushi Fukaya

Directeur

Makita, Jan-Baptist Vinkstraat 2, 3070, Belgique

CONSIGNES DE SÉCURITÉ IMPORTANTES

GEB109-3

⚠ AVERTISSEMENT ! Veuillez lire toutes les consignes de sécurité et les instructions. Le non-

respect des consignes et instructions peut entraîner un choc électrique, un incendie et/ou des blessures graves.

Conservez toutes les consignes et instructions pour référence ultérieure.

1. Familiarisez-vous avec les commandes et l'utilisation correcte du matériel.
2. Les éléments coupants continuent à tourner après l'arrêt du moteur.
3. Ne laissez pas des enfants ou des personnes ne connaissant pas ces instructions utiliser l'appareil.
4. Cessez d'utiliser l'appareil lorsque des personnes, notamment des enfants, ou des animaux domestiques se trouvent à proximité.
5. Utilisez l'appareil uniquement en journée ou sous une lumière artificielle correcte.
6. Avant d'utiliser l'appareil et après tout impact, recherchez d'éventuels signes d'usure ou de dommage et réparez-les au besoin.
7. Veillez à ne pas vous blesser sur les dispositifs installés pour couper la longueur du fil. Après avoir sorti un nouveau fil de coupe, remplacez toujours l'appareil en position de fonctionnement normal avant de le mettre sous tension.
8. N'installez jamais d'éléments de coupe en métal.
9. Cet appareil ne doit pas être utilisé par des personnes (notamment des enfants) dont les capacités physiques, sensorielles ou mentales sont réduites ou n'ayant aucune expérience ni compétence, à moins d'avoir reçu des instructions relatives à l'utilisation de l'appareil par une personne responsable de leur sécurité ou d'être sous la supervision de celle-ci. Les enfants doivent être surveillés car ils ne doivent pas jouer avec l'appareil.
10. Utilisez l'outil avec une précaution et une attention extrêmes.
11. Utilisez l'outil uniquement si vous êtes en bonne condition physique. Effectuez tout le travail avec calme et prudence. Faites preuve de bon sens et gardez à l'esprit que l'opérateur ou l'utilisateur est responsable des accidents ou blessures infligés à d'autres personnes ou à leurs biens.
12. N'utilisez jamais l'outil lorsque vous êtes fatigué(e), malade ou sous l'emprise de l'alcool ou de médicaments.
13. Vous devez immédiatement mettre l'outil hors tension si vous observez des signes de dysfonctionnement.

Utilisation prévue de l'outil

1. Utilisez le bon outil. Le coupe-herbe sans fil doit être utilisé exclusivement pour couper l'herbe et les mauvaises herbes de petite taille. Il n'est conçu pour aucune autre utilisation, telle que la coupe des haies, car cela comporte un risque de blessure.

Équipement de protection corporelle (Fig. 1 et 2)

1. Portez des vêtements adéquats. Les vêtements que vous portez doivent être fonctionnels et appropriés, c'est-à-dire qu'ils doivent être près du corps, sans pour autant gêner vos mouvements. Ne portez pas de bijoux ou de vêtements

susceptibles d'être happés par l'appareil. Portez un filet de protection pour envelopper vos cheveux s'ils sont longs.

2. Lorsque vous utilisez l'outil, portez toujours des chaussures de sécurité munies d'une semelle antidérapante. Elles vous protégeront de blessures éventuelles et vous assureront une bonne stabilité.
3. Portez des lunettes ou un masque de protection.

Sécurité électrique et de la batterie

1. Évitez les environnements dangereux. N'utilisez pas l'outil dans des lieux humides et ne l'exposez pas aux intempéries. Le risque de choc électrique augmente lorsque de l'eau pénètre dans l'outil.
2. N'utilisez que le chargeur spécifié par le fabricant. Un chargeur adapté à un type de batterie peut créer un risque d'incendie s'il est utilisé avec un autre type de batterie.
3. Utilisez les outils électriques uniquement avec les batteries indiquées. L'utilisation d'autres types de batterie peut créer un risque de blessures et d'incendie.
4. Lorsque vous n'utilisez pas la batterie, gardez-la éloignée de tout objet métallique, comme les trombones, pièces, clefs, clous, vis ou autres petits objets métalliques, qui peuvent faire office de connexion d'une borne à l'autre. Court-circuiter les bornes de la batterie peut provoquer des brûlures ou un incendie.
5. En cas de mauvaise utilisation, du liquide peut fuir de la batterie ; évitez tout contact. En cas de contact accidentel, nettoyez la surface en question à l'eau. Si le liquide entre en contact avec les yeux, consultez un médecin. Le liquide émis par la batterie peut provoquer une irritation ou des brûlures.
6. Ne jetez pas les batteries au feu. Elles risqueraient d'exploser. Consultez la réglementation locale pour connaître les éventuelles consignes de mise au rebut spéciales.
7. N'ouvrez pas les batteries et n'essayez pas de les démonter. L'électrolyte libéré est corrosif et risquerait de blesser vos yeux ou votre peau. Si vous l'avez, il peut se révéler toxique.

Démarrage de l'outil (Fig. 3)

1. Éloignez les personnes et les enfants du lieu de travail à une distance minimum de 15 mètres et faites attention aux animaux qui pourraient se trouver à proximité. Le cas échéant, cessez d'utiliser l'outil.
2. Avant l'utilisation, vérifiez toujours que l'outil ne présente aucun danger. Vérifiez la sécurité de l'outil de coupe et de son protège-lame, ainsi que le fonctionnement de la gâchette et du levier. Vérifiez que les poignées sont propres et sèches et testez le fonctionnement de l'interrupteur.
3. Recherchez les éventuelles pièces endommagées avant de continuer à utiliser l'outil. Un protège-lame ou une autre pièce endommagé(e) doit être inspecté(e) soigneusement pour déterminer s'il/si elle va fonctionner correctement. Assurez-vous que les pièces en mouvement sont alignées et se déplacent librement, qu'aucune pièce n'est cassée, que les pièces sont correctement

montées et qu'aucune anomalie ne risque d'affecter le fonctionnement de l'appareil. Un protège-lame ou toute autre pièce endommagée(e) doit être correctement réparé(e) ou remplacé(e) par un centre de service agréé, sauf indication contraire dans ce manuel.

4. Ne mettez le moteur sous tension que lorsque vos mains et vos pieds sont éloignés de l'outil de coupe.
5. Avant de commencer, assurez-vous que l'outil de coupe n'est pas en contact avec des objets durs tels que des branches, des pierres, etc. car il tournera au démarrage.

Mode d'emploi

1. N'utilisez jamais l'appareil si les protège-lames sont endommagés ou s'ils ne sont pas en place.
2. N'utilisez l'outil que dans des conditions d'éclairage et de luminosité suffisantes. En hiver, soyez attentif aux zones glissantes ou mouillées, au verglas et à la neige (risque de glissade). Assurez-vous toujours d'avoir une bonne stabilité.
3. Faites attention à ne pas vous blesser les pieds et les mains avec l'outil de coupe.
4. Maintenez constamment vos mains et vos pieds éloignés de la coupe, en particulier lors de la mise sous tension du moteur.
5. Ne coupez jamais à une hauteur supérieure aux épaules.
6. N'utilisez jamais l'outil sur une échelle.
7. Ne travaillez jamais sur des surfaces instables.
8. Ne vous penchez pas. Conservez une bonne prise au sol et restez constamment en équilibre.
9. Enlevez le sable, les pierres, les clous etc., trouvés à l'intérieur du périmètre de travail. Des particules étrangères peuvent endommager l'outil de coupe ou être projetées et entraîner des dommages corporels.
10. Si l'outil de coupe heurte des pierres ou d'autres objets durs, éteignez immédiatement le moteur et examinez l'outil de coupe.
11. Avant de commencer à couper, l'outil de coupe doit avoir atteint sa vitesse de travail maximale.
12. Tenez toujours l'outil à deux mains. Ne le tenez jamais d'une seule main durant l'utilisation. Assurez-vous toujours d'avoir une bonne stabilité.
13. Tous les équipements de protection fournis avec l'outil, tels que le protège-lame et le protège-fil, doivent être utilisés pendant le fonctionnement.
14. Sauf en cas d'urgence, ne laissez jamais tomber l'outil et ne le jetez pas sur le sol, cela risquerait de l'endommager grièvement.
15. Ne traînez jamais l'outil sur le sol lorsque vous le déplacez, cela pourrait l'endommager.
16. Retirez toujours la batterie de l'outil :
 - toutes les fois où l'outil doit être laissé sans surveillance ;
 - avant toute opération de retrait d'obstruction ;
 - avant toute opération de vérification, nettoyage ou réparation de l'outil ;
 - avant d'effectuer des réglages, de changer des accessoires ou de ranger l'appareil ;
 - dès que l'outil commence à vibrer de manière anormale ;
 - lors du transport de l'outil.

17. N'utilisez pas l'appareil au-dessus des capacités pour lesquels il a été conçu. Cela pourrait nuire à la qualité du travail et provoquer un risque de blessures.

Instructions d'entretien

1. Vous devez vérifier l'état de l'outil de coupe, des protections et de la bandoulière avant chaque utilisation.
2. Avant d'effectuer une opération d'entretien, de remplacer l'outil de coupe ou de nettoyer l'outil, mettez le moteur hors tension et retirez la batterie.
3. Après utilisation, débranchez la batterie de l'outil et vérifiez qu'elle n'est pas endommagée.
4. Vérifiez que les dispositifs de fixation sont bien attachés et recherchez les éventuelles pièces endommagées, comme des fissures sur l'outil de coupe.
5. Lorsque vous ne l'utilisez pas, rangez l'appareil dans un endroit sec fermé à clé ou hors de portée des enfants.
6. N'utilisez que les pièces et accessoires de remplacement recommandés par le fabricant.
7. Assurez-vous toujours que les ouvertures de ventilation ne sont pas obstruées par des débris.
8. Inspectez et assurez régulièrement l'entretien de l'outil, particulièrement avant/après utilisation. Ne faites réparer l'outil que par notre centre de service agréé.
9. Maintenez les poignées de l'outil sèches, propres et exemptes d'huile ou de graisse.

CONSERVEZ CES INSTRUCTIONS.



AVERTISSEMENT :

NE vous laissez PAS tromper (au fil d'une utilisation répétée) par un sentiment d'aisance et de familiarité avec le produit, en négligeant le respect rigoureux des consignes de sécurité qui accompagnent l'outil. Une UTILISATION INCORRECTE de l'outil ou le non-respect des consignes de sécurité indiquées dans ce manuel d'instructions peuvent causer des blessures graves.

CONSIGNES DE SÉCURITÉ IMPORTANTES

ENC007-9

POUR LA BATTERIE

1. Avant d'utiliser la batterie, veuillez lire toutes les instructions et tous les avertissements inscrits sur (1) le chargeur, (2) la batterie et (3) l'appareil alimenté par la batterie.
2. Ne démontez pas la batterie.
3. Cessez immédiatement d'utiliser l'outil si le temps de fonctionnement devient excessivement court. Il y a un risque de surchauffe, de brûlures, voire d'explosion.
4. Si l'électrolyte pénètre dans vos yeux, rincez-les à l'eau claire et consultez immédiatement un médecin. Il y a un risque de perte de la vue.
5. Évitez de court-circuiter la batterie :

- (1) **Ne touchez les bornes avec aucun matériau conducteur.**
- (2) **Évitez de ranger la batterie dans un contenant où se trouvent d'autres objets métalliques tels que des clous, pièces de monnaie, etc.**
- (3) **N'exposez pas la batterie à l'eau ou à la pluie. Un court-circuit de la batterie risque de provoquer un fort courant, une surchauffe, parfois des brûlures et même une panne.**
6. **Ne rangez pas l'outil ou la batterie dans des endroits où la température risque d'atteindre ou de dépasser 50 °C (122 °F).**
7. **Ne jetez pas la batterie au feu même si elle est sérieusement endommagée ou complètement épuisée. La batterie peut exploser au contact du feu.**
8. **Veillez à ne pas laisser tomber ou heurter la batterie.**
9. **N'utilisez pas de batterie endommagée.**
10. **Respectez les réglementations locales relatives à la mise au rebut des batteries.**

CONSERVEZ CES INSTRUCTIONS.

Conseils pour assurer la durée de vie optimale de la batterie

1. **Rechargez la batterie avant qu'elle ne soit complètement épuisée.**
Arrêtez toujours l'outil et rechargez la batterie quand vous constatez que la puissance de l'outil diminue.
2. **Ne rechargez jamais une batterie complètement chargée.**
La surcharge réduit la durée de service de la batterie.
3. **Chargez la batterie alors que la température de la pièce se trouve entre 10 °C et 40 °C (50 °F et 104 °F). Si une batterie est chaude, laissez-la refroidir avant de la charger.**
4. **Chargez la batterie si vous ne l'avez pas utilisée pendant une longue période (plus de six mois).**

Description des pièces (Fig. 4)

DESCRIPTION DU FONCTIONNEMENT

⚠ AVERTISSEMENT :

- **Veillez toujours à ce que l'outil soit éteint et la batterie déposée avant d'effectuer des réglages ou de vérifier le fonctionnement de l'outil.** Si vous ne mettez pas l'outil hors tension et ne retirez pas la batterie, vous risquez de vous blesser grièvement en cas de démarrage accidentel.

Installation et retrait de la batterie (Fig. 5)

⚠ ATTENTION :

- Éteignez toujours l'outil avant d'installer ou de déposer la batterie.

- **Tenez fermement l'outil et la batterie lors de l'installation ou du retrait de la batterie.** Si vous ne tenez pas fermement l'outil et la batterie, ils risquent de glisser et de s'abîmer ou de vous blesser.

Pour retirer la batterie, faites glisser le bouton à l'avant de la batterie et sortez la batterie.

Pour installer la batterie, alignez sa languette sur la rainure qui se trouve à l'intérieur du capot, puis glissez la batterie pour la mettre en place. Insérez-la bien à fond, jusqu'à ce qu'elle se verrouille en émettant un léger clic. Si vous pouvez voir le voyant rouge sur la face supérieure du bouton, la batterie n'est pas parfaitement verrouillée.

⚠ ATTENTION :

- Installez toujours la batterie à fond, de sorte que le voyant rouge ne soit plus visible. Sinon, elle risque de tomber accidentellement de l'outil, en vous blessant ou en blessant une personne située près de vous.
- Ne forcez pas pour installer la batterie. Si la batterie ne glisse pas aisément, c'est qu'elle n'est pas insérée correctement.

Fonctionnement de l'interrupteur

⚠ AVERTISSEMENT :

- **Avant d'insérer la batterie dans l'outil, vérifiez toujours que la gâchette fonctionne bien et revient en position d'arrêt lorsqu'elle est relâchée. Ne forcez pas en appuyant sur la gâchette sans avoir d'abord tourné le levier de sécurité. Vous risqueriez de casser la gâchette.** L'utilisation d'un outil dont la gâchette ne fonctionne pas correctement risque de provoquer une perte de contrôle et de graves blessures corporelles. (Fig. 6)

Appuyez sur le bouton d'alimentation sur le capot afin que l'outil soit mis sous tension et que le voyant d'alimentation s'allume. (Fig. 7)

L'outil est équipé d'un levier de sécurité pour prévenir la pression accidentelle sur la gâchette.

Pour démarrer l'outil, tournez le levier de sécurité puis appuyez sur la gâchette. Pour l'arrêter, relâchez la gâchette.

REMARQUE :

- Si l'outil ne fonctionne pas pendant une minute alors que le bouton d'alimentation est enfoncé, il est automatiquement mis hors tension.

Inverseur pour le retrait des débris

⚠ AVERTISSEMENT :

- **Veillez toujours à ce que l'outil soit éteint et la batterie déposée avant de retirer les mauvaises herbes et débris qui n'ont pas pu être retirés en mode inversé.** Si vous ne mettez pas l'outil hors tension et ne retirez pas la batterie, vous risquez de vous blesser grièvement en cas de démarrage accidentel. (Fig. 8)

Cet outil dispose d'un inverseur qui permet de changer le sens de rotation afin de retirer les mauvaises herbes et les débris coincés dans l'outil. Pour faire fonctionner l'outil normalement, l'interrupteur doit être basculé sur la position A.

Pour retirer les mauvaises herbes et débris coincés dans la tête de rotation, vous pouvez inverser l'outil en basculant l'interrupteur sur la position B. En position

inversée, l'outil ne fonctionne que brièvement avant de s'éteindre automatiquement.

NOTE :

- Vérifiez toujours le sens de rotation avant de mettre l'outil en marche.
- N'actionnez l'inverseur qu'une fois l'outil complètement arrêté. Si vous changez le sens de rotation de l'outil avant l'arrêt de celui-ci, vous risquez de l'endommager.

Molette de réglage de la vitesse (Fig. 9)

La vitesse de l'outil peut être réglée en continu de 3 500 min⁻¹ à 6 000 min⁻¹ grâce à la molette de réglage de la vitesse.

Tournez la molette de réglage de la vitesse dans le sens des aiguilles d'une montre pour augmenter la vitesse, et en sens inverse pour la réduire.

Système de protection de la batterie (batterie au lithium-ion comportant une étoile) (Fig. 10)

Les batteries au lithium-ion comportant une étoile sont équipées d'un système de protection. Ce système coupe automatiquement l'alimentation en électricité vers l'outil afin de prolonger sa durée de vie.

Voyant d'alimentation	Indicateur de batterie	État	Mesure à prendre
	Clignotant	La batterie est presque déchargée.	Remplacez la batterie par une batterie rechargée.
	Allumé	Le dispositif de protection de la batterie met l'appareil hors tension : la batterie est déchargée.	Remplacez la batterie par une batterie rechargée.
Clignotant		Le dispositif de protection contre les surchauffes met l'appareil hors tension en raison d'une surchauffe.	Posez l'appareil et laissez-le refroidir un moment.

013900

Indication de l'autonomie restante de la batterie

(uniquement pour les batteries dont le numéro de modèle se termine par la lettre « B ».) (Fig. 12)

Appuyez sur le bouton de vérification pour indiquer l'autonomie restante de la batterie. Les voyants s'allument alors pendant quelques secondes.

L'outil s'arrête automatiquement pendant le fonctionnement lorsqu'il et/ou la batterie se trouvent dans l'une des situations suivantes :

- En surcharge :
L'outil fonctionne de manière à créer un courant anormalement élevé.
Dans ce cas, relâchez la gâchette de l'outil et arrêtez l'application qui cause la surcharge de l'outil. Ensuite, appuyez à nouveau sur la gâchette pour redémarrer l'outil.
Si l'outil ne démarre pas, la batterie est en surchauffe. Dans ce cas, laissez la batterie refroidir avant de presser à nouveau sur la gâchette.
- Faible tension de la batterie :
L'autonomie restante est trop basse et l'outil ne fonctionnera pas. Dans ce cas, retirez la batterie et rechargez-la.

Voyants (Fig. 11)

Lorsque le système de protection est activé pendant le fonctionnement de l'outil, les voyants s'allument. Reportez-vous au tableau suivant pour connaître l'état de la batterie et les mesures à prendre concernant le voyant.

Voyants			Autonomie restante
Allumé	Éteint	Clignotant	
			75 % à 100 %
			50 % à 75 %
			25 % à 50 %
			0 % à 25 %
			Recharger la batterie.
			Il est possible que la batterie ait mal fonctionné.

015658

REMARQUE :

- Selon les conditions d'utilisation et la température ambiante, les indications peuvent différer légèrement de l'autonomie réelle restante.

Tête à fil de nylon

NOTE :

- Ne tentez pas de procéder à l'alimentation semi-automatique par frappe au sol lorsque l'outil fonctionne à un régime élevé. L'alimentation semi-automatique par frappe au sol à un régime élevé peut endommager la tête à fil de nylon.
- L'alimentation semi-automatique par frappe au sol ne fonctionnera pas correctement si la tête ne tourne pas. (Fig. 13)

La tête à fil de nylon est une tête de coupe-herbe double équipée d'un mécanisme d'alimentation semi-automatique par frappe au sol.

Pour faire sortir le fil de nylon, la tête à fil de nylon doit être frappée contre le sol tout en tournant à bas régime.

REMARQUE :

Si le fil de nylon ne sort pas lorsque vous frappez la tête, rembobinez/remplacez le fil en suivant les procédures décrites dans la section « Entretien ».

MONTAGE

⚠ AVERTISSEMENT :

- **Assurez-vous toujours que l'outil est hors tension et la batterie déposée avant d'effectuer toute intervention sur l'outil.** Si vous ne mettez pas l'outil hors tension et ne retirez pas la batterie, vous risquez de vous blesser grièvement en cas de démarrage accidentel.
- **Ne démarrez jamais l'outil avant qu'il soit complètement assemblé.** Si vous le faites fonctionner alors qu'il n'est pas parfaitement assemblé, vous risquez de vous blesser grièvement en cas de démarrage accidentel.

Montage du tuyau de fixation

Uniquement pour le modèle DUR183L (Fig. 14)

Pour fixer l'accessoire au groupe moteur :

1. Assurez-vous que le levier n'est pas serré.
2. Pour ouvrir l'entrée du joint, appuyez sur le couvercle-joint. (Fig. 15)
3. Alignez la partie saillante sur le tuyau (du côté de l'outil de coupe) sur la partie concave du joint.
4. Insérez le tuyau de fixation dans le joint. Assurez-vous que la surface du levier de verrouillage est horizontale par rapport au tuyau.
5. Serrez solidement le levier comme illustré. Pour retirer la fixation, desserrez le levier, appuyez sur la partie avant du levier de verrouillage, puis faites glisser le tuyau.

Installation de la poignée (Fig. 16)

Installez la poignée sur le tuyau de l'arbre et serrez-la avec deux boulons hexagonaux. Assurez-vous que la douille d'écartement du tuyau de l'arbre se trouve entre l'ensemble de la poignée et l'autre poignée. Ne retirez pas la douille d'écartement et ne la comprimez pas.

⚠ ATTENTION :

- Pour le modèle DUR183L, n'installez jamais la poignée sur le joint.

Installation du protège-lame

⚠ AVERTISSEMENT :

- **N'utilisez jamais l'outil si le protège-lame illustré ci-dessus n'est pas en place.** Dans le cas contraire, il y a risque de blessure corporelle grave. (Fig. 17 et 18)
- Alignez les parties saillantes sur le dispositif de protection avec les rainures du capot du moteur. (Fig. 19)
- Alignez les parties saillantes sur le support de protection avec les parties concaves du capot du moteur. Insérez le support de protection sur le capot du moteur. (Fig. 20)
- Après avoir fixé le dispositif de protection et le support de protection sur le capot du moteur, serrez fermement les boulons hexagonaux.

Installation du protège-fil

⚠ ATTENTION :

- Avant de régler le protège-fil, attendez que la tête de coupe soit immobile. Ne réglez pas le protège-fil avec votre pied. (Fig. 21)

Pour réduire le risque d'endommagement des objets face à la tête de coupe, insérez le protège-fil de sorte qu'il contrôle la plage de coupe de la ligne de coupe. (Fig. 22)

Étirez légèrement le protège-fil vers l'extérieur, puis insérez-le dans les orifices du dispositif de protection.

REMARQUE :

- N'étirez pas trop le protège-fil vers l'extérieur. Il pourrait se casser. (Fig. 23)

Lorsque vous n'utilisez pas le protège-fil, soulevez-le en position de ralenti.

Installation de la tête à fil de nylon

NOTE :

- Assurez-vous d'utiliser une tête à fil de nylon Makita. Retournez l'outil pour pouvoir remplacer facilement la tête à fil de nylon. (Fig. 24)
- Insérez la clé hexagonale à travers l'orifice du couvercle de protection et du capot du moteur et faites tourner la rondelle de réception jusqu'à ce qu'elle soit bloquée avec la clé hexagonale. Montez le dispositif de protection métallique, la tête à fil de nylon directement sur la broche filetée et serrez-la en la tournant dans le sens inverse des aiguilles d'une montre. Retirez la clé hexagonale.
- Pour retirer la tête à fil de nylon, tournez-la dans le sens des aiguilles d'une montre tout en tenant la rondelle de réception avec la clé hexagonale.

⚠ ATTENTION :

- **Si, en cours de fonctionnement, la tête à fil de nylon heurte accidentellement une pierre ou un objet dur, le coupe-herbe doit être arrêté et inspecté pour voir s'il n'a pas subi de dommages. Si la tête à fil de nylon est endommagée, vous devez la remplacer immédiatement.** Vous risquez de vous blesser si vous utilisez une tête à fil de nylon endommagée.

FONCTIONNEMENT

Manipulation correcte de l'outil

Fixation de la bandoulière (Fig. 25)

Installez la bandoulière. Reliez ensuite les boucles sur le crochet et la bandoulière. Veillez à ce que les boucles s'encliquettent à fond.

Uniquement pour le modèle DUR183L (Fig. 26)

Lorsque vous n'utilisez pas la coiffe, suspendez-la au crochet.

Décrochage (Fig. 27)

La boucle a été conçue de manière à se dégager rapidement. Pressez simplement les côtés et la boucle pour dégager l'outil.

⚠ AVERTISSEMENT :

- **Veillez tout particulièrement à conserver le contrôle de l'outil à tout moment. Ne laissez pas l'outil être dévié vers vous ou quiconque situé à proximité du lieu d'utilisation.** Si vous perdez le contrôle de l'outil, vous risquez de vous blesser grièvement ainsi que les éventuels spectateurs.

Réglage du crochet de suspension et de la bandoulière (Fig. 28)

Pour changer le crochet de suspension, desserrez le boulon hexagonal sur le crochet à l'aide de la clé fournie. Déplacez ensuite le crochet.

Après avoir réglé le crochet de suspension, serrez à fond le boulon hexagonal avec la clé.

ENTRETIEN

⚠ AVERTISSEMENT :

- **Assurez-vous toujours que l'outil est hors tension et la batterie retirée avant d'effectuer toute opération d'inspection ou d'entretien sur l'outil.** Si vous ne mettez pas l'outil hors tension et ne retirez pas la batterie, vous risquez de vous blesser grièvement en cas de démarrage accidentel.

NOTE :

N'utilisez jamais d'essence, de benzine, de diluant, d'alcool ou de produit similaire. Ces produits risquent de provoquer des décolorations, des déformations ou des fissures.

Remplacement du fil de nylon

⚠ AVERTISSEMENT :

- **Assurez-vous que le couvercle de la tête à fil de nylon est correctement fixé au boîtier, comme décrit ci-dessous.** Si le couvercle n'est pas correctement fixé, la tête à fil de nylon peut se détacher et provoquer des blessures graves. (Fig. 29)

Retirez le couvercle du capot, en appuyant sur les deux taquets situés dans la fente opposée au capot. (Fig. 30)

Coupez un fil de nylon de 3 à 6 m. Pliez la ligne de coupe en deux, de sorte que l'une des deux parties soit 80 à 100 mm plus longue que l'autre. (Fig. 31)

Insérez le milieu du nouveau fil de nylon dans l'entaille située au centre de la bobine entre les 2 canaux destinés au fil de nylon.

Enroulez bien les deux extrémités sur la bobine dans le sens indiqué sur la tête pour le sens de gaucher indiqué par LH. (Fig. 32)

Enroulez tout le fil sauf environ 100 mm, en laissant les extrémités temporairement accrochées à travers l'entaille sur le côté de la bobine. (Fig. 33)

Montez la bobine sur le couvercle, de sorte que les rainures et les parties saillantes sur la bobine correspondent à celles du couvercle. Ensuite, décrochez les extrémités du fil de leurs emplacements temporaires et glissez les fils à travers les œillets pour les faire sortir du couvercle. (Fig. 34)

Alignez la partie saillante sur le dessous du couvercle avec les trous des œillets. Poussez ensuite fermement le capot pour qu'il s'enclenche dans le capot. Assurez-vous que les taquets se déploient bien sur le couvercle.

Pour garantir la SÉCURITÉ et la FIABILITÉ du produit, les réparations ainsi que tout autre travail d'entretien ou de réglage doivent être effectués avec un centre d'entretien Makita agréé, exclusivement dans des pièces de rechange Makita.

DÉPANNAGE

Avant de demander la réparation, commencez par mener votre propre inspection. Si vous rencontrez un problème non recensé dans ce manuel, n'essayez pas de démonter l'outil. Demandez plutôt de l'aide à un centre de service Makita agréé, et utilisez toujours des pièces de remplacement Makita.

État du dysfonctionnement	Cause	Mesure
Le moteur ne tourne pas.	La batterie n'est pas en place.	Mettez la batterie en place.
	Problème de batterie (sous tension)	Rechargez la batterie. Si cela ne sert à rien, remplacez la batterie.
	Le système d'entraînement ne fonctionne pas correctement.	Faites réparer l'appareil par le centre de service agréé le plus proche.
Le moteur s'arrête après une brève utilisation.	La rotation est inversée.	Changez le sens de rotation avec l'inverseur.
	Le niveau de chargement de la batterie est faible.	Rechargez la batterie. Si cela ne sert à rien, remplacez la batterie.
	Surchauffe.	Cessez d'utiliser l'outil pour le laisser refroidir.
Il n'atteint pas le régime maximal.	La batterie est mal montée.	Montez la batterie comme décrit dans ce guide.
	Le niveau de la batterie chute.	Rechargez la batterie. Si cela ne sert à rien, remplacez la batterie.
	Le système d'entraînement ne fonctionne pas correctement.	Faites réparer l'appareil par le centre de service agréé le plus proche.
L'outil de coupe ne tourne pas : arrêtez immédiatement l'appareil !	Un corps étranger tel qu'une branche est coincé entre le protège-lame et la tête à fil de nylon.	Retirez le corps étranger.
	Le système d'entraînement ne fonctionne pas correctement.	Faites réparer l'appareil par le centre de service agréé le plus proche.
Vibrations anormales : arrêtez immédiatement l'appareil !	Une extrémité du fil de nylon est cassée.	Frappez la tête à fils de nylon sur le sol pendant le fonctionnement de l'outil pour enrouler le fil.
	Le système d'entraînement ne fonctionne pas correctement.	Faites réparer l'appareil par le centre de service agréé le plus proche.
Impossible d'arrêter l'outil de coupe et le moteur : retirez immédiatement la batterie !	Dysfonctionnement électrique ou électronique.	Retirez la batterie et faites réparer l'appareil par votre centre de service agréé le plus proche.

010856

ACCESSOIRES FOURNIS EN OPTION

ATTENTION :

- Ces accessoires ou pièces complémentaires sont recommandés pour être utilisés avec l'outil Makita spécifié dans ce mode d'emploi. L'utilisation de tout autre accessoire ou pièce complémentaire peut comporter un risque de blessure. N'utilisez les accessoires ou pièces qu'aux fins auxquelles ils ont été conçus.

Pour obtenir plus de détails sur ces accessoires, contactez votre Centre de service local Makita.

- Tête à fil de nylon
- Fil de nylon (ligne de coupe)
- Bandoulière
- Clé hexagonale
- Batterie et chargeur Makita d'origine

REMARQUE :

- Certains éléments de la liste peuvent être inclus en tant qu'accessoires standard dans le coffret de l'outil envoyé. Ils peuvent varier suivant les pays.

DEUTSCH (Originalanweisungen)

Erklärung der Gesamtdarstellung

- | | | |
|---------------------------------|--|--------------------------|
| 1. Akkublock | 18. Position A gedrückt für Normalbetrieb | 33. Abdeckung |
| 2. Drehzahl-Stellrad | 19. Position B gedrückt für Entfernen von Unkraut und Abfällen | 34. Klemmen |
| 3. Anzeigelampe | 20. Stern gekennzeichnete | 35. Schneidwerkzeugseite |
| 4. Einschalter | 21. Anzeige Akkuladestatus | 36. Distanzstück |
| 5. Arretierhebel | 22. Anzeigenlampen | 37. Rillen |
| 6. Aufhänger (Aufhängungspunkt) | 23. Akkuprüftaste | 38. Schutz |
| 7. Griff | 24. Schneidbereich mit der größten Wirkung | 39. Gewölbte Teile |
| 8. Ein/Aus-Schalter | 25. Verbindungsstück | 40. Schutzhalter |
| 9. Schutz | 26. Arretierhebel | 41. Vorsprünge |
| 10. Schutzkorb | 27. Abdeckung | 42. Löcher |
| 11. Schneidwerkzeug | 28. Hebel | 43. Nylon-Schneidkopf |
| 12. Schultergurt | 29. Rohr (Schneidwerkzeugseite) | 44. Metallblech |
| 13. Kappe | 30. Gewölbtes Teil | 45. Aufnahmescheibe |
| 14. Roter Bereich | 31. Vorsprung | 46. Inbusschlüssel |
| 15. Taste | 32. Sechskantschrauben | 47. Gurtschloss |
| 16. Einschalt-Anzeige | | 48. Haken |
| 17. Umschalter | | 49. Sechskantschraube |
| | | 50. 80-100 mm |

TECHNISCHE ANGABEN

Modell	DUR142L	DUR182L	DUR183L
Rohrtyp	Integriertes Rohr		Teilbares Rohr
Leerlaufdrehzahl	3.500 - 6.000 min ⁻¹		
Gesamtlänge mit Nylon-Schneidkopf	1.843 mm		
Teillänge	—		982 mm
Schneiddurchmesser mit Nylon-Schneidkopf	300 mm		
Nettogewicht (mit BL1430 oder BL1830)	3,8 kg	3,9 kg	4,1 kg
Nennspannung	14,4 V Gleichspannung		18 V Gleichspannung
Standard-Akkublock und Ladegerät ⚠ Verwenden Sie ausschließlich die in den Spalten rechts aufgeführten Kombinationen aus Akku und Ladegerät.	BL 1415N, BL 1430, BL 1440, BL 1450/DC18RC	BL 1815N, BL 1820, BL 1820B, BL 1830, BL 1840, BL 1840B, BL 1850, BL 1850B/DC18RC	

- Aufgrund unserer beständigen Forschungen und Weiterentwicklungen sind Änderungen an den hier angegebenen Technischen Daten ohne Vorankündigung vorbehalten.
- Die Technischen Daten und der Akkublock können in den einzelnen Ländern Abweichungen aufweisen.
- Gewicht, mit Akkublock, ermittelt gemäß EPTA-Verfahren 01/2003

Lärm	Schalldruckpegel		Anwendbare Standards oder Richtlinien
	Modell	L _{PA} (dB (A))	
	DUR142L	78	2000/14/EG
	DUR182L/DUR183L	79	

- Auch wenn der oben angegebene Schalldruckpegel 80 dB (A) oder weniger beträgt, kann der Pegel beim Arbeiten 80 dB (A) übersteigen. Tragen Sie Gehörschutz.

Vibration	Vorderer Griff		Hinterer Griff		Anwendbare Standards oder Richtlinien	
	Modell	a _h (m/s ²)	Abweichung K (m/s ²)	a _h (m/s ²)		Abweichung K (m/s ²)
	DUR142L	≤ 2,5	1,5	≤ 2,5	1,5	EN786
	DUR182L/DUR183L	≤ 2,5	1,5	≤ 2,5	1,5	



Nur für EU-Länder

- Der hier angegebene Wert für die erzeugten Schwingungen wurde gemäß dem genormten Testverfahren ermittelt und kann als Vergleich zu anderen Werkzeugen herangezogen werden.
- Der angegebene Wert für die erzeugten Schwingungen ist außerdem für eine vorbeugende Bewertung der Belastung zu verwenden.

WARNUNG:

- Die Schwingungsbelastung kann bei tatsächlichem Gebrauch des Elektrowerkzeugs in Abhängigkeit von der Handhabung des Elektrowerkzeugs von dem hier aufgeführten Wert abweichen.
- Stellen Sie sicher, dass Schutzmaßnahmen für den Bediener getroffen werden, die auf den unter den tatsächlichen Arbeitsbedingungen zu erwartenden Belastungen beruhen (beziehen Sie alle Bestandteile des Arbeitsablaufs ein, also zusätzlich zu den Arbeitszeiten auch Zeiten, in denen das Werkzeug ausgeschaltet ist oder ohne Last läuft).

Symbole

END020-3

Im Folgenden sind die im Zusammenhang mit diesem Gerät verwendeten Symbole dargestellt. Machen Sie sich vor der Benutzung des Geräts unbedingt mit diesen Symbolen vertraut.

- Seien Sie besonders vorsichtig.
- Lesen Sie die Betriebsanleitung.
- Gefahr! Achten Sie auf umherfliegende Gegenstände.
- Der Abstand zwischen Werkzeug und Umstehenden muss mindestens 15 m betragen.
- Halten Sie Zuschauer fern.
- Der Abstand muss mindestens 15 m betragen.
- Tragen Sie einen Helm, eine Brille und Gehörschutz.
- Tragen Sie Schutzhandschuhe.
- Tragen Sie festes Schuhwerk mit rutschfesten Sohlen. Empfohlen werden Arbeitsschutzschuhe mit Stahlkappen.
- Setzen Sie das Werkzeug keiner Feuchtigkeit aus.
- Maximal zulässige Drehzahl des Werkzeugs.
- Verwenden Sie niemals eine Metallschneide.

Entsorgen Sie Elektrowerkzeuge, Batterien und Akkus nicht über den Hausmüll!
Gemäß der Europäischen Richtlinie über Elektro- und Elektronik- Altgeräte und über Batterien und Akkumulatoren sowie Altbatterien und Alttakkumulatoren und ihrer Umsetzung in nationales Recht müssen verbrauchte Elektrowerkzeuge sowie Altbatterien und Alttakkumulatoren getrennt gesammelt und einer umweltgerechten Wiederverwertung zugeführt werden.

Nur für europäische Länder EG-Konformitätserklärung

ENH219-3

Makita erklärt, dass die nachfolgende(n) Maschine(n):

Bezeichnung der Maschine(n):

Akku-Rasentrimmer

Nummer / Typ des Modells: DUR142L, DUR182L, DUR183L

Spezifikationen: siehe Tabelle „TECHNISCHE ANGABEN“.

den folgenden Richtlinien der Europäischen Union genügt/genügen:

2000/14/EG, 2006/42/EG

Sie werden gemäß den folgenden Standards oder Normen gefertigt:

EN60335

Die technischen Unterlagen gemäß 2006/42/EG sind erhältlich von:

Makita, Jan-Baptist Vinkstraat 2, 3070, Belgien

Das Verfahren der Konformitätsbewertung, das in der Richtlinie 2000/14/EG verlangt wird, wurde in Übereinstimmung mit Anhang VI durchgeführt.

Benannte Stelle:

TÜV Rheinland LGA Products GmbH
Tillystraße 2

90431 Nürnberg, Deutschland

Kennummer der benannten Stelle: 0197

Modell DUR142L

Gemessener Schalleistungspegel: 89 dB (A)

Garantierter Schalleistungspegel: 90 dB (A)

Modell DUR182L, DUR183L

Gemessener Schalleistungspegel: 90 dB (A)

Garantierter Schalleistungspegel: 90 dB (A)

31. 12. 2013

Yasushi Fukaya
Direktor

Makita, Jan-Baptist Vinkstraat 2, 3070, Belgien

WICHTIGE SICHERHEITSHINWEISE

GEB109-3

⚠️ WARNUNG! Lesen Sie alle Sicherheitswarnungen und -anweisungen aufmerksam durch. Bei Nichtbeachten dieser Warnungen und Anweisungen kann es zu einem Stromschlag, einem Brand und/oder schweren Verletzungen kommen.

Bewahren Sie alle Warnhinweise und Anweisungen zum späteren Nachschlagen gut auf.

1. Machen Sie sich mit der Bedienung und der ordnungsgemäßen Verwendung der Maschine vertraut.
2. Die Schneidelemente drehen nach dem Ausschalten des Motors eine gewisse Zeit nach.
3. Erlauben Sie Kindern oder Erwachsenen, die diese Anleitungen nicht kennen, niemals den Gebrauch dieser Maschine.
4. Stoppen Sie dieses Werkzeug, wenn sich Personen, vor allem Kinder, oder Haustiere nähern.
5. Betreiben Sie dieses Werkzeug nur bei Tageslicht oder bei ausreichender künstlicher Beleuchtung.
6. Prüfen Sie das Werkzeug vor jeder Nutzung und nach jedem Zwischenfall auf Anzeichen von Verschleiß oder Schäden, und sorgen Sie ggf. für eine Reparatur.
7. Beachten Sie die Verletzungsgefahr, die von allen Mitteln zum Nachstellen der Länge des Faserseils ausgeht. Bringen Sie das Werkzeug nach dem Ausziehen des Schneidfadens wieder in die normale Arbeitsposition, bevor Sie den Motor einschalten.
8. Setzen Sie niemals Schneidelemente aus Metall ein.
9. Dieses Gerät darf nicht von Personen (einschließlich Kindern) mit verminderten physischen, sensorischen oder psychischen Fähigkeiten oder fehlenden Erfahrungen und Kenntnissen bedient werden, es sei denn, sie werden beaufsichtigt oder wurden in der Anwendung des Geräts von einem Sicherheitsverantwortlichen unterwiesen. Kleinkinder sind zu beaufsichtigen, um sicherzustellen, dass sie nicht mit diesem Gerät spielen.
10. Verwenden Sie das Werkzeug mit äußerster Sorgfalt und Aufmerksamkeit.
11. Betreiben Sie das Werkzeug nur, wenn Sie in guter physischer Verfassung sind. Führen Sie alle Arbeiten ruhig und mit Vorsicht aus. Setzen Sie Ihren gesunden Menschenverstand ein und beachten Sie, dass der Benutzer für Unfälle oder Gefahren mit anderen Personen oder deren Eigentum verantwortlich ist.
12. Betreiben Sie das Werkzeug niemals, wenn Sie sich müde oder krank fühlen oder wenn Sie unter dem Einfluss von Alkohol oder Medikamenten stehen.
13. Schalten Sie das Werkzeug bei jedem Anzeichen eines ungewöhnlichen Verhaltens sofort aus.

Verwendungszweck des Werkzeugs

1. Verwenden Sie das richtige Werkzeug. Der Akku-Rasentrimmer ist ausschließlich zum Schneiden von Gras und leichtem Unkraut vorgesehen. Das Werkzeug darf nicht für andere Zwecke verwendet werden, beispielsweise zum Schneiden von Hecken, da dies zu Verletzungen führen kann.

Persönliche Schutzausrüstung (Abb. 1 und 2)

1. Tragen Sie geeignete Kleidung. Tragen Sie zweckmäßige und geeignete Kleidung, d.h. die Kleidung sollte am Körper anliegen, jedoch ohne zu behindern. Das Tragen von Schmuck und Kleidung, die sich in hohem Gras verfangen können, ist nicht zulässig. Tragen Sie langes Haar unter einer geeigneten Kopfbedeckung.
2. Tragen Sie beim Arbeiten mit dem Werkzeug stets feste Schuhe mit rutschfester Sohle. Derartige Schuhe schützen vor Verletzungen und geben einen sicheren Halt.
3. Tragen Sie eine Schutzbrille.

Sicherheit bezüglich Elektrizität und Akkus

1. Vermeiden Sie gefährliche Umgebungsbedingungen. Verwenden Sie das Werkzeug nicht an feuchten Standorten und setzen Sie es keinem Regen aus. Wenn Wasser in das Werkzeug eindringt, erhöht dies die Gefahr eines elektrischen Schlags.
2. Der Akku darf nur mit dem vom Hersteller vorgegebenen Ladegerät aufgeladen werden. Ein Ladegerät, das sich für den einen Akkutyp eignet, kann bei der Verwendung mit einem anderen Akku eine Brandgefahr darstellen.
3. Elektrowerkzeuge und Elektrogeräte dürfen nur mit den speziell dafür vorgesehenen Akkus verwendet werden. Bei Verwendung anderer Akkus besteht Verletzungs- und Brandgefahr.
4. Nicht verwendete Akkublöcke dürfen nicht in der Nähe von anderen metallischen Gegenständen wie Büroklammern, Münzen, Schlüssel, Nägeln, Schrauben oder sonstigen metallischen Kleingegenständen aufbewahrt werden, da durch derartige Gegenstände die Gefahr besteht, dass eine leitende Verbindung zwischen den Kontakten hergestellt wird. Ein Kurzschluss der Akkukontakte kann Verbrennungen verursachen oder eine Brandgefahr darstellen.
5. Bei unsachgemäßem Gebrauch kann Flüssigkeit aus dem Akku austreten; vermeiden Sie in diesem Fall jeglichen Kontakt mit der Flüssigkeit. Wenn Sie versehentlich mit Flüssigkeit aus dem Akku in Berührung geraten, waschen Sie die betroffene Stelle gründlich mit Wasser ab. Suchen Sie einen Arzt auf, wenn die Flüssigkeit in die Augen gerät. Die aus dem Akku austretende Flüssigkeit kann Hautreizungen und Verbrennungen verursachen.
6. Verbrennen Sie niemals nicht mehr verwendbare Akkus. Die Akkuzelle kann explodieren. Beachten Sie die örtlichen Vorschriften bezüglich Sondervorschriften zur Entsorgung.
7. Öffnen oder beschädigen Sie die Akkus nicht. Austretender Elektrolyt ist ätzend und kann Verletzungen der Augen oder der Haut

verursachen. Bei Verschlucken von Elektrolyt kann es zu Vergiftungen kommen.

Starten des Werkzeugs (Abb. 3)

1. Vergewissern Sie sich, dass sich in einem Arbeitsbereich von 15 m keine Kinder oder andere Personen aufhalten, achten Sie außerdem auf Tiere im Arbeitsbereich. Stoppen Sie andernfalls den Betrieb des Werkzeugs.
2. Überprüfen Sie vor jeder Verwendung, ob das Werkzeug betriebssicher ist. Prüfen Sie die Sicherheit des Schneidwerkzeugs und des Schutzes sowie den Ein/Aus-Schalter und Hebel auf Leichtgängigkeit und ordnungsgemäße Funktion. Stellen Sie sicher, dass die Griffe sauber und trocken sind und testen Sie die Funktion des Ein/Aus-Schalters.
3. Überprüfen Sie das Werkzeug vor der Verwendung auf beschädigte Teile. Beschädigte Schutzvorrichtungen oder sonstige beschädigte Teile müssen sorgfältig überprüft werden, um sicherzustellen, dass diese Teile noch ordnungsgemäß funktionieren und ihren beabsichtigten Zweck erfüllen. Überprüfen Sie die Ausrichtung beweglicher Teile, deren Verbindung und ob Teile beschädigt sind. Vergewissern Sie sich darüber hinaus, dass die Montage korrekt ist und keine Umstände vorliegen, die den ordnungsgemäßen Betrieb stören könnten. Sofern in dieser Bedienungsanleitung nicht anders angegeben, müssen beschädigte Schutzvorrichtungen und sonstige beschädigte Teile durch unser autorisiertes Fachpersonal ordnungsgemäß repariert oder ausgetauscht werden.
4. Schalten Sie den Motor nur ein, wenn Hände und Füße nicht in der Nähe des Schneidwerkzeugs sind.
5. Stellen Sie vor dem Starten sicher, dass das Schneidwerkzeug keine harten Gegenstände (Geäst, Steine usw.) berührt, da sich das Schneidwerkzeug beim Starten dreht.

Handhabung

1. Betreiben Sie das Werkzeug niemals, wenn die Schutzvorrichtungen nicht ordnungsgemäß befestigt oder beschädigt sind.
2. Verwenden Sie das Werkzeug nur bei guten Licht- und Sichtverhältnissen. Achten Sie im Winter auf rutschige oder nasse Bereiche, z. B. auf vereiste oder schneebedeckte Flächen (Rutschgefahr). Sorgen Sie immer für einen sicheren Stand.
3. Beachten Sie die Verletzungsgefahr für Füße und Hände durch das Schneidwerkzeug.
4. Halten Sie Hände und Füße zu jeder Zeit von Schneidwerkzeugen fern, dies gilt insbesondere beim Starten des Motors.
5. Schneiden Sie niemals über Hüfthöhe.
6. Betreiben Sie das Werkzeug niemals auf einer Leiter stehend.
7. Arbeiten Sie niemals auf nicht stabilen Flächen.
8. Übernehmen Sie sich nicht. Achten Sie jederzeit auf sicheren Stand und sicheres Gleichgewicht.
9. Entfernen Sie Sand, Steine, Nägel usw. aus dem Arbeitsbereich. Fremdkörper können das

Schneidwerkzeug beschädigen oder davon geschleudert werden, wodurch es zu schweren Verletzungen kommen kann.

10. Sollte das Schneidwerkzeug durch Steine oder andere harte Gegenstände getroffen werden, schalten Sie sofort den Motor aus und überprüfen Sie das Schneidwerkzeug.
11. Vergewissern Sie sich vor Beginn des Schnitts, dass das Schneidwerkzeug die volle Arbeitsdrehzahl erreicht hat.
12. Halten Sie das Werkzeug während des Betriebs stets mit beiden Händen. Halten Sie das Werkzeug während des Betriebs niemals mit nur einer Hand. Sorgen Sie immer für einen sicheren Stand.
13. Während des Betriebs müssen alle mit dem Werkzeug gelieferten Schutzvorrichtungen wie beispielsweise Abdeckungen ordnungsgemäß am Werkzeug befestigt sein.
14. Lassen Sie das Werkzeug niemals (außer in einem Notfall) auf den Boden fallen, da dadurch das Werkzeug beschädigt werden kann.
15. Ziehen Sie das Werkzeug beim Umsetzen an einen anderen Ort niemals über den Boden, da das Werkzeug bei dieser Art des Transports beschädigt werden kann.
16. Ziehen Sie in den folgenden Fällen stets den Akkublock vom Werkzeug ab:
 - wenn Sie das Werkzeug unbeaufsichtigt lassen,
 - bevor Sie eine Verstopfung beheben,
 - vor Überprüfen, Reinigen oder sonstigen Arbeiten am Werkzeug,
 - vor dem Vornehmen von Einstellungen, dem Wechseln von Zubehörteilen und dem Einlagern,
 - sobald Sie ungewöhnliche Vibrationen am Werkzeug bemerken,
 - beim Transportieren der Maschine.
17. Üben Sie keinen Druck auf das Werkzeug aus. So können Sie die Aufgaben besser und mit geringerem Verletzungsrisiko bei Auslegungsdrehzahl durchführen.

Wartungsanweisungen

1. Vor dem Beginn von Arbeiten müssen der Zustand des Schneidwerkzeugs, der Schutzeinrichtungen und des Schultergurts überprüft werden.
2. Schalten Sie den Motor aus und entfernen Sie den Akkublock, bevor Sie Wartungsarbeiten durchführen, das Schneidwerkzeug ersetzen oder das Werkzeug oder das Schneidwerkzeug reinigen.
3. Ziehen nach Gebrauch des Werkzeugs den Akkublock ab, und inspizieren Sie ihn auf Schäden.
4. Prüfen Sie das Werkzeug auf lose Befestigungsteile und beschädigte Teile wie z. B. nahezu abgeschnittene Schneidseile im Schneidwerkzeug.
5. Wenn das Werkzeug nicht verwendet wird, lagern Sie das Werkzeug an einem trockenen Ort, der verschlossen oder sonst wie für Kinder unzugänglich ist.
6. Verwenden Sie ausschließlich vom Hersteller empfohlene Ersatz- und Zubehörteile.

7. Achten Sie stets darauf, dass Belüftungsöffnungen frei von Fremdkörpern sind.
8. Überprüfen und warten Sie das Werkzeug regelmäßig, insbesondere vor und nach der Verwendung. Lassen Sie das Werkzeug ausschließlich von unserem autorisierten Servicecenter reparieren.
9. Halten Sie Griffe trocken, sauber und frei von Öl und Schmiermitteln.
8. Lassen Sie den Akku nicht fallen und vermeiden Sie Schläge gegen den Akku.
9. Verwenden Sie niemals einen beschädigten Akku.
10. Befolgen Sie die in Ihrem Land geltenden Bestimmungen bzgl. der Entsorgung von Akkus.

BEWAHREN SIE DIESE ANLEITUNG SORGFÄLTIG AUF.

WARNUNG:

Lassen Sie sich NIE durch Bequemlichkeit oder (aus fortwährendem Gebrauch gewonnener) Vertrautheit mit dem Werkzeug dazu verleiten, die Sicherheitsregeln für das Werkzeug zu missachten. Bei MISSBRÄUHLICHER Verwendung des Werkzeugs oder bei Missachtung der in diesem Handbuch enthaltenen Sicherheitshinweise kann es zu schweren Verletzungen kommen.

WICHTIGE SICHERHEITSGESETZ

ENC007-9

FÜR AKKUBLOCK

1. Lesen Sie vor der Verwendung des Akkublocks alle Anweisungen und Sicherheitshinweise für das Akkuladegerät (1), den Akku (2) und das Produkt (3), für das der Akku verwendet wird, sorgfältig durch.
2. Der Akkublock darf nicht zerlegt werden.
3. Falls die Betriebsdauer erheblich kürzer wird, beenden Sie den Betrieb umgehend. Andernfalls besteht die Gefahr einer Überhitzung sowie das Risiko möglicher Verbrennungen und sogar einer Explosion.
4. Wenn Elektrolyt in Ihre Augen gerät, waschen Sie diese mit klarem Wasser aus und suchen Sie sofort einen Arzt auf. Andernfalls können Sie Ihre Sehfähigkeit verlieren.
5. Vermeiden Sie einen Kurzschluss des Akkublocks:
 - (1) Die Kontakte dürfen nicht mit leitendem Material in Berührung kommen.
 - (2) Der Akkublock darf nicht in einem Behälter aufbewahrt werden, in dem sich andere metallische Gegenstände wie beispielsweise Nägel, Münzen usw. befinden.
 - (3) Der Akkublock darf weder Feuchtigkeit noch Regen ausgesetzt werden.

Ein Kurzschluss des Akkus kann zu hohem Kriechstrom, Überhitzung, möglichen Verbrennungen und sogar zu einer Zerstörung des Werkzeugs führen.
6. Werkzeug und Akkublock dürfen nicht an Orten aufbewahrt werden, an denen Temperaturen von 50°C oder darüber erreicht werden können.
7. Beschädigte oder verbrauchte Akkus dürfen nicht verbrannt werden. Der Akkublock kann in den Flammen explodieren.

BEWAHREN SIE DIESE ANLEITUNG SORGFÄLTIG AUF.

Tipps für eine maximale Nutzungsdauer von Akkus

1. Laden Sie den Akkublock auf, bevor der Akku vollständig entladen ist. Sobald Sie eine verringerte Leistung des Werkzeugs bemerken, beenden Sie stets den Betrieb des Werkzeugs und laden Sie den Akkublock auf.
2. Ein voll aufgeladener Akkublock darf niemals erneut geladen werden. Durch Überladungen wird die Lebensdauer des Akkus verkürzt.
3. Laden Sie den Akkublock bei einer Zimmertemperatur von 10°C bis 40°C auf. Lassen Sie einen heißen Akkublock vor dem Aufladen abkühlen.
4. Laden Sie den Akkublock auf, wenn Sie diesen für längere Zeit nicht verwenden (mehr als sechs Monate).

Beschreibung der Bauteile (Abb. 4)

FUNKTIONSBESCHREIBUNG

WARNUNG:

- Stellen Sie unbedingt sicher, dass das Werkzeug ausgeschaltet und der Akkublock abgezogen ist, bevor Sie Überprüfungen oder Einstellungen am Werkzeug vornehmen. Wenn Sie die Maschine nicht ausschalten und den Akkublock nicht abnehmen, kann dies bei einem versehentlichen Starten zu schweren Verletzungen führen.

Einsetzen und Abnehmen des Akkublocks (Abb. 5)

ACHTUNG:

- Schalten Sie das Werkzeug stets aus, bevor Sie den Akkublock einsetzen oder abnehmen.
- Halten Sie das Werkzeug und den Akkublock sicher fest, wenn Sie den Akkublock einsetzen oder herausnehmen. Andernfalls könnte Ihnen das Werkzeug oder der Akkublock aus den Händen fallen, sodass das Werkzeug oder der Akkublock beschädigt werden oder diese Verletzungen verursachen.

Zum Abnehmen des Akkublocks müssen Sie die Taste auf der Vorderseite des Akkublocks schieben und gleichzeitig den Akkublock aus dem Gerät herausziehen. Zum Einsetzen des Akkublocks müssen Sie die Zunge des Akkublocks an der Rille im Gehäuse ausrichten und in die gewünschte Position schieben. Setzen Sie den Akkublock ganz ein, bis er mit einem Klick einrastet.

Wenn Sie den roten Bereich oben auf der Taste sehen können, ist der Batterieadapter nicht ganz eingearastet.

⚠️ ACHTUNG:

- Setzen Sie den Akkublock unbedingt ganz ein, bis der rote Bereich nicht mehr zu sehen ist. Andernfalls kann der Akkublock versehentlich aus dem Werkzeug fallen und Sie oder umstehende Personen verletzen.
- Wenden Sie beim Einsetzen des Akkublocks keine Gewalt an. Wenn der Akkublock nicht leicht hineingleitet, ist er nicht richtig angesetzt.

Betätigung des Ein/Aus-Schalters

⚠️ WARNUNG:

- **Achten Sie vor dem Einsetzen des Akkublocks in das Werkzeug darauf, dass sich der Ein/Aus-Schalter korrekt bedienen lässt und beim Loslassen in die Position „OFF“ (AUS) zurückkehrt. Betätigen Sie den Ein/Aus-Schalter niemals mit Gewalt, ohne dabei den Arretierhebel zu drücken. Dadurch kann der Schalter beschädigt werden.** Der Betrieb einer Maschine mit einem nicht ordnungsgemäß funktionierenden Schalter kann zum Kontrollverlust und zu schweren Verletzungen führen. (Abb. 6)

Drücken Sie den Einschalter auf dem Gehäuse, damit sich das Werkzeug einschaltet und die Einschalt-Anzeige leuchtet. (Abb. 7)

Um die versehentliche Betätigung des Ein/Aus-Schalters zu verhindern, ist das Werkzeug mit einem Arretierhebel ausgestattet.

Um das Werkzeug zu starten, drücken Sie zuerst den Arretierhebel und betätigen Sie dann den Ein/Aus-Schalter. Lassen Sie zum Ausschalten des Werkzeugs den Ein/Aus-Schalter los.

HINWEIS:

- Wenn der Einschalter gedrückt wurde und das Werkzeug eine Minute nicht betrieben wird, schaltet es sich automatisch ab.

Umschalter für das Entfernen von Abfällen

⚠️ WARNUNG:

- **Stellen Sie immer sicher, dass das Werkzeug ausgeschaltet ist und das der Akkublock abgezogen wurde, bevor Sie im Werkzeug verfängene Unkräuter und Ablagerungen entfernen, die durch Umkehren der Drehrichtung nicht entfernt werden konnten.** Wenn Sie die Maschine nicht ausschalten und den Akkublock nicht abnehmen, kann dies bei einem versehentlichen Starten zu schweren Verletzungen führen. (Abb. 8)

Dieses Werkzeug verfügt über einen Umschalter, mit dem lediglich die Drehrichtung umgeschaltet werden kann, damit dickere Unkräuter und Ablagerungen, die sich im Werkzeug verfängen haben, entfernt werden. Bei Normalbetrieb des Werkzeugs muss die Seite „A“ des Werkzeugs gedrückt sein.

Um Unkräuter und Ablagerungen zu entfernen, die sich im Rotorkopf des Werkzeugs verfängen haben, kann die Drehrichtung des Werkzeugs durch Drücken der Seite „B“ des Schalters umgekehrt werden. Mit dieser umgekehrten

Drehrichtung läuft das Werkzeug nur für kurze Zeit und schaltet sich anschließend automatisch aus.

HINWEIS:

- Überprüfen Sie vor jedem Betrieb immer die Drehrichtung.
- Der Umschalter darf nur betätigt werden, wenn das Werkzeug im Stillstand ist. Wenn Sie die Drehrichtung bei noch laufendem Werkzeug umschalten, kann das Werkzeug beschädigt werden.

Drehzahl-Stellrad (Abb. 9)

Die Drehzahl des Werkzeugs kann mithilfe des Drehzahl-Stellrads von 3.500 min⁻¹ bis 6.000 min⁻¹ stufenlos eingestellt werden.

Drehen Sie das Stellrad im Uhrzeigersinn für höhere Geschwindigkeiten und gegen den Uhrzeigersinn für langsamere.

Akku-Schutzsystem (Lithium-Ionen-Akku ist mit einem Stern gekennzeichnet) (Abb. 10)

Mit einem Stern gekennzeichnete Lithium-Ionen-Akkus verfügen über ein Schutzsystem. Dieses System schaltet die Stromversorgung des Werkzeugs automatisch aus, um die Lebensdauer des Akkus zu verlängern.

Unter folgenden Bedingungen des Werkzeugs und/oder des Akkus kann das Werkzeug während des Betriebs automatisch stoppen:

- Überlastet:
 - Das Werkzeug wird auf eine Weise betrieben, die zu einer abnormal hohen Stromaufnahme führt.
 - Lassen Sie in dieser Situation den Ein/Aus-Schalter des Werkzeugs los und beenden Sie die Arbeiten, die zu der Überlastung des Werkzeugs geführt haben. Betätigen Sie anschließend den Ein/Aus-Schalter wieder, um das Werkzeug wieder in Betrieb zu nehmen.
 - Wenn das Werkzeug nicht startet, ist der Akku überhitzt. Lassen Sie in dieser Situation den Akku erst abkühlen, bevor Sie wieder den Ein/Aus-Schalter betätigen.
- Spannung des Akkus zu niedrig:
 - Die noch vorhandene Akkuladung ist zu niedrig, und das Werkzeug startet nicht. Nehmen Sie in dieser Situation den Akku ab und laden Sie den Akku wieder auf.

Anzeigelampe (Abb. 11)

Wenn das Schutzsystem während des Betriebs wirkt, leuchtet die Lampe.

Die verschiedenen Anzeigen und die entsprechenden Vorgehensweisen finden Sie in der folgenden Tabelle:

Einschalt-Anzeige	Anzeige Akkuladestatus	Status	Auszuführende Maßnahme
/	Blinkt	Akkuladung nahezu aufgebraucht.	Ersetzen Sie den Akku durch einen geladenen.
/	Leuchtet auf	Akkuschutz hat das Gerät ausgeschaltet – Akkuladung aufgebraucht.	Ersetzen Sie den Akku durch einen geladenen.
Blinkt	/	Überhitzungsschutz hat das Gerät ausgeschaltet – Überhitzung.	Lassen Sie das Werkzeug für eine Weile abkühlen.

013900

Anzeigen der Restladung des Akkus

(Nur für Akkublöcke mit einem „B“ am Ende der Modellnummer.) (Abb. 12)

Drücken Sie zum Anzeigen der Restladung des Akkus die Akkuprüfstaste. Die Anzeigelampen leuchten dann wenige Sekunden lang auf.

Anzeigelampen			Verbleibende Akkuladung
Leuchtet	Aus	Blinkt	
			75% bis 100%
			50% bis 75%
			25% bis 50%
			0% bis 25%
			Laden Sie den Akku auf.
			Möglicherweise liegt ein Defekt des Akkus vor.

015658

HINWEIS:

- In Abhängigkeit von den Bedingungen bei Gebrauch und von der Umgebungstemperatur kann der angezeigte Ladezustand geringfügig vom tatsächlichen Ladezustand abweichen.

Nylon-Schneidkopf

HINWEIS:

- Versuchen Sie nicht, das Nylonseil bei hoher Drehzahl durch Aufstoßen des Schneidkopfs weiter herauszuführen. Bei einem weiteren Herausführen des Nylonseils durch Aufstoßen des Schneidkopfs bei hoher Drehzahl kann der Nylon-Schneidkopf beschädigt werden.
- Bei stillstehendem Schneidkopf funktioniert das Herausführen des Nylonseils durch Aufstoßen des Schneidkopfs nicht ordnungsgemäß. (Abb. 13)

Der Nylon-Schneidkopf ist ein Rasentrimmerkopf mit zwei Nylonseilen, die durch das Aufstoßen des Schneidkopfs weiter aus dem Schneidkopf heraustreten.

Damit die Nylonseile weiter aus dem Kopf heraustreten, muss der Schneidkopf bei niedriger Drehzahl auf den Boden aufgestoßen werden.

HINWEIS:

Falls das Nylonseil nicht durch Aufstoßen des Schneidkopfs auf den Boden herausgeführt werden kann, spulen Sie das Nylonseil neu auf oder tauschen Sie es aus (siehe Abschnitt „Wartung“).

MONTAGE

⚠️ WARNUNG:

- Stellen Sie unbedingt sicher, dass die Maschine ausgeschaltet und der Akkublock ausgebaut ist, bevor Sie Arbeiten an der Maschine vornehmen.** Wenn Sie die Maschine nicht ausschalten und den Akkublock nicht abnehmen, kann dies bei einem versehentlichen Starten zu schweren Verletzungen führen.
- Starten Sie niemals eine noch nicht vollständig zusammengebaute Maschine.** Bei Betrieb der Maschine in teilweise zusammengebautem Zustand kann es durch versehentliches Einschalten der Maschine zu schweren Verletzungen kommen.

Anbringen des Aufsatzrohrs

Nur für Modell DUR183L (Abb. 14)

So befestigen Sie den Aufsatz an einem Antrieb:

- Stellen Sie sicher, dass der Hebel nicht festgezogen ist.
- Drücken Sie die Abdeckung herunter, um den Verbindungseinlass zu öffnen. (Abb. 15)
- Richten Sie den Vorsprung auf dem Rohr (Schneidwerkzeugseite) mit dem gewölbten Teil der Verbindung aus.
- Stecken Sie das Aufsatzrohr auf die Verbindung. Stellen Sie sicher, dass sich die Oberfläche des Arretierhebels horizontal zum Rohr befindet.
- Ziehen Sie den Hebel, wie dargestellt, fest. Zum Entfernen des Aufsatzes lösen Sie den Hebel, drücken den vorderen Teil des Arretierhebels und schieben dann das Rohr heraus.

Anbringen des Handgriffs (Abb. 16)

Befestigen Sie den Griff mit zwei Schrauben am Rohr und ziehen Sie ihn mit zwei Sechskantschrauben fest. Vergewissern Sie sich, dass sich das Distanzstück am Rohr zwischen dem Griff und dem anderen Griff befindet. Entfernen oder kürzen Sie das Distanzstück nicht.

⚠️ ACHTUNG:

- Bringen Sie bei Modell DUR183L den Griff niemals am Verbindungsstück an.

Anbauen des Schutzes

⚠️ WARNUNG:

- **Verwenden Sie das Werkzeug niemals ohne den ordnungsgemäß montierten Schutz.** Andernfalls kann es zu schweren Verletzungen kommen. (Abb. 17 und 18)

Richten Sie die Vorsprünge auf dem Schutz mit der Nut auf dem Motorgehäuse aus. (Abb. 19)

Richten Sie die Vorsprünge auf dem Schutzhalter mit den gewölbten Teilen auf dem Motorgehäuse aus. Stecken Sie den Schutzhalter in das Motorgehäuse. (Abb. 20)

Nachdem Sie Schutz und Schutzhalter am Motorgehäuse angebracht haben, ziehen Sie die Sechskantschrauben fest an.

Anbauen des Schutzkorbs

⚠️ ACHTUNG:

- Warten Sie vor dem Einstellen des Schutzkorbs, bis der Schneidkopf zum Stillstand gekommen ist. Stellen Sie den Schutzkorb nicht mit den Füßen ein. (Abb. 21)
- Um die Risiken zu reduzieren, dass Objekte vor dem Schneidkopf beschädigt werden, setzen Sie den Schutzkorb so ein, dass er den Schnittbereich des Mähfadens kontrolliert. (Abb. 22)
- Ziehen Sie den Schutzkorb etwas nach außen und setzen Sie ihn dann in die Löcher der Schutzvorrichtung.

HINWEIS:

- Ziehen Sie den Schutzkorb nicht zu weit nach außen. Andernfalls könnte er brechen. (Abb. 23)
- Wenn der Schutzkorb nicht in Betrieb ist, heben Sie ihn auf die Ruheposition.

Anbringen des Nylon-Schneidkopfs

HINWEIS:

- Vergewissern Sie sich, dass Sie einen Original Nylon-Schneidkopf von Makita verwenden.
- Drehen Sie das Werkzeug um, damit Sie den Nylon-Schneidkopf leicht austauschen können. (Abb. 24)
- Stecken Sie den Inbusschlüssel durch die Öffnung in der Schutzabdeckung und dem Motorgehäuse und drehen Sie die Aufnahmescheibe, bis diese mit dem Inbusschlüssel einrastet. Montieren Sie das Metallblech, den Nylon-Schneidkopf, direkt auf der Gewindespindel und ziehen Sie diesen durch Drehen entgegen dem Uhrzeigersinn fest. Den Inbusschlüssel entfernen.
- Um den Nylon-Schneidkopf abzubauen, halten Sie die Aufnahmescheibe mit einem Inbusschlüssel fest und drehen Sie den Nylon-Schneidkopf im Uhrzeigersinn.

⚠️ ACHTUNG:

- **Wenn der Nylon-Schneidkopf während der Arbeit versehentlich auf einen Stein oder einen harten**

Gegenstand trifft, sollten Sie den Trimmer ausschalten und auf mögliche Beschädigungen untersuchen. Ein beschädigter Nylon-Schneidkopf muss unverzüglich ausgetauscht werden. Beim Arbeiten mit einem beschädigten Nylon-Schneidkopf kann es zu schweren Verletzungen kommen.

BETRIEB

Korrekte Handhabung des Werkzeugs

Anbringen des Schultergurts (Abb. 25)

Legen Sie den Schultergurt an. Verbinden Sie dann die Gurtschlösser sowohl mit dem Haken als auch dem Gurt. Stellen Sie sicher, dass das Gurtschloss ordnungsgemäß eingerastet und sicher verriegelt ist.

Nur für Modell DUR183L (Abb. 26)

Wenn die Kappe nicht in Betrieb ist, hängen Sie sie auf den Haken.

Demontage (Abb. 27)

Das Gurtschloss verfügt über einen Schnelllöser. Drücken Sie nur auf die Seiten und das Gurtschloss, um das Werkzeug zu lösen.

⚠️ WARNUNG:

- **Gehen Sie äußerst vorsichtig vor, damit Sie jederzeit die Kontrolle über das Werkzeug behalten. Lassen Sie nicht zu, dass das Werkzeug in Ihre Richtung oder in Richtung anderer Personen in Ihrer Nähe abprallt.** Bei Verlust der Kontrolle über das Werkzeug kann es zu schweren Verletzungen des Bedieners oder umstehender Personen kommen.

Anpassung der Aufhängerposition und des Schultergurts (Abb. 28)

Um die Aufhängerposition zu ändern, lösen Sie die Sechskantschrauben auf dem Aufhänger mit dem mitgelieferten Schraubenschlüssel. Dann können Sie den Aufhänger bewegen.

Ziehen Sie nach dem Anpassen der Aufhängerposition die Sechskantschraube mit dem Schraubenschlüssel sicher fest.

WARTUNG

⚠️ WARNUNG:

- **Stellen Sie unbedingt sicher, dass das Werkzeug ausgeschaltet und der Akkublock ausgebaut ist, bevor Sie Überprüfungen oder Wartungsarbeiten am Werkzeug vornehmen.** Wenn Sie die Maschine nicht ausschalten und den Akkublock nicht abnehmen, kann dies bei einem versehentlichen Starten zu schweren Verletzungen führen.

HINWEIS:

Verwenden Sie zum Reinigen niemals Kraftstoffe, Benzin, Verdünner, Alkohol oder Ähnliches. Dies kann zu Verfärbungen, Verformungen oder Rissen führen.

Austauschen des Nylonfadens

WARNUNG:

- **Vergewissern Sie sich, dass die Abdeckung des Nylon-Schneidkopfes ordnungsgemäß auf dem Gehäuse gesichert ist (siehe folgende Beschreibung).** Bei unsachgemäß gesicherter Abdeckung kann der Nylon-Schneidkopf auseinander fliegen und schwere Verletzungen verursachen.

(Abb. 29)

Nehmen Sie den Deckel vom Gehäuse ab, indem Sie auf die beiden Riegel in den gegenüberliegenden Schlitzen im Gehäuse drücken. **(Abb. 30)**

Schneiden Sie einen Nylonfaden in 3-6 m. Falten Sie den Schneidfaden in zwei Hälften, wobei die eine Hälfte 80-100 mm länger ist als die andere. **(Abb. 31)**

Haken Sie die Mitte des neuen Nylonseils in die Einkerbung in der Mitte der Spule zwischen den 2 Kanälen für das Nylonseil ein.

Wickeln Sie beide Enden fest und in Richtung Linksdrehung (markiert durch „LH“ auf dem Spulenkopf) um die Spule. **(Abb. 32)**

Wickeln Sie etwa 100 mm des Fadens um die Spule und lassen Sie die Enden vorübergehend in der Einkerbung an der Seite der Spule eingehängt. **(Abb. 33)**

Setzen Sie die Spule auf die Abdeckung, sodass die Kerben und Vorsprünge an der Spule mit denen im Gehäuse übereinstimmen. Haken Sie nun die Enden des Fadens aus ihren vorübergehenden Positionen aus, und führen Sie den Faden durch die Fadenführungen, sodass die Fäden aus der Abdeckung herausragen. **(Abb. 34)**

Richten Sie den Vorsprung an der Unterseite der Abdeckung an den Schlitzen der Fadenführungen aus. Drücken Sie dann die Abdeckung fest auf das Gehäuse. Vergewissern Sie sich, dass die Laschen richtig in der Abdeckung sitzen.

Zur Gewährleistung von SICHERHEIT und ZUVERLÄSSIGKEIT des Produkts sollten Reparaturen, Wartungsarbeiten und Einstellungen nur durch von Makita autorisierte Servicecenter durchgeführt und ausschließlich Makita-Ersatzteile verwendet werden.

PROBLEMBEHEBUNG

Prüfen Sie das Werkzeug erst selbst, bevor Sie eine Reparatur in Auftrag geben. Falls Sie vor einem Problem stehen, das nicht in der Betriebsanleitung erläutert ist, bauen Sie das Werkzeug nicht selbst auseinander. Wenden Sie sich stattdessen an ein von Makita autorisiertes Servicecenter, in denen stets Makita-Ersatzteile verwendet werden.

Fehlfunktionsstatus	Ursache	Aktionen
Motor dreht sich nicht.	Es ist kein Akkublock eingesetzt.	Setzen Sie den Akkublock ein.
	Akkuprobem (Unterspannung)	Laden Sie den Akku wieder auf. Tauschen Sie den Akku aus, falls ein Aufladen keine Wirkung zeigt.
	Das Antriebssystem arbeitet nicht korrekt.	Wenden Sie sich zwecks Reparatur an Ihr örtliches, autorisiertes Servicecenter.
Nach kurzer Zeit stoppt der Motor.	Dreht in umgekehrter Richtung.	Ändern Sie die Drehrichtung mithilfe des Umschalters.
	Der Ladezustand des Akkus ist zu niedrig.	Laden Sie den Akku wieder auf. Tauschen Sie den Akku aus, falls ein Aufladen keine Wirkung zeigt.
	Überhitzung.	Schalten Sie das Werkzeug aus und lassen Sie das Werkzeug abkühlen.
Die maximale Drehzahl wird nicht erreicht.	Der Akku wurde nicht ordnungsgemäß eingesetzt.	Setzen Sie den Akku wie in dieser Betriebsanleitung beschrieben ein.
	Die Akkuleistung fällt ab.	Laden Sie den Akku wieder auf. Tauschen Sie den Akku aus, falls ein Aufladen keine Wirkung zeigt.
	Das Antriebssystem arbeitet nicht korrekt.	Wenden Sie sich zwecks Reparatur an Ihr örtliches, autorisiertes Servicecenter.
Das Schneidwerkzeug dreht sich nicht: Stoppen Sie die Maschine unverzüglich!	Ein Fremdkörper, zum Beispiel ein Ast, ist zwischen Schutz und Nylon-Schneidkopf verklemmt.	Entfernen Sie den Fremdkörper.
	Das Antriebssystem arbeitet nicht korrekt.	Wenden Sie sich zwecks Reparatur an Ihr örtliches, autorisiertes Servicecenter.
Abnormale Vibration: Stoppen Sie die Maschine unverzüglich!	Ein Ende des Nylonseils ist zerbrochen.	Stoßen Sie den sich drehenden Nylon-Schneidkopf auf dem Boden auf, damit Nylonschnur nachgeführt wird.
	Das Antriebssystem arbeitet nicht korrekt.	Wenden Sie sich zwecks Reparatur an Ihr örtliches, autorisiertes Servicecenter.
Schneidwerkzeug und Motor können nicht gestoppt werden: Entnehmen Sie unverzüglich den Akku!	Fehlfunktion in Elektrik oder Elektronik.	Entnehmen Sie den Akku und wenden Sie sich zwecks Reparatur an Ihr örtliches, autorisiertes Servicecenter.

010856

SONDERZUBEHÖR

können in den einzelnen Ländern voneinander abweichen.

ACHTUNG:

- Für das in diesem Handbuch beschriebene Makita-Gerät werden die folgenden Zubehör- und Zusatzteile empfohlen. Bei Verwendung anderer Zubehör- und Zusatzteile kann es zu Verletzungen kommen. Verwenden Sie Zubehör- und Zusatzteile nur für den vorgesehenen Zweck.

Informationen zu diesem Zubehör erhalten Sie von Ihrem Makita-Servicecenter.

- Nylon-Schneidkopf
- Nylonschnur (Schneidfaden)
- Schultergurt
- Inbusschlüssel
- Original-Akku und Original-Ladegerät von Makita

HINWEIS:

- Einige der in der Liste aufgeführten Elemente sind dem Werkzeugpaket als Standardzubehör beigelegt. Diese

ITALIANO (Istruzioni originali)

Spiegazione della vista generale

1. Batteria	18. Posizione A premuta per il funzionamento normale	34. Morsetti
2. Ghiera di regolazione della velocità	19. Posizione B premuta per la rimozione di erbacce e detriti	35. (Lato dell'utensile da taglio)
3. Spia luminosa	20. Contrassegno a stella	36. Distanziatore
4. Pulsante di accensione	21. Indicatore della batteria	37. Scanalature
5. Leva di accensione	22. Spie luminose	38. Protezione
6. Staffa (punto di sospensione)	23. Pulsante di controllo	39. Porzioni concave
7. Punto di presa	24. Area di taglio più efficace	40. Supporto protezione
8. Interruttore di accensione	25. Giunzione	41. Sporgenze
9. Coprilama	26. Leva di blocco	42. Fori
10. Protezione per il filo	27. Coprigiunzione	43. Testina da taglio in nylon
11. Utensile da taglio	28. Leva	44. Protezione metallica
12. Cintura a spalla	29. Tubo (Lato dell'utensile da taglio)	45. Rondella ricevente
13. Coperchio	30. Porzione concava	46. Chiave esagonale
14. Indicatore rosso	31. Sporgenza	47. Fibbia
15. Pulsante	32. Bulloni esagonali	48. Gancio
16. Indicatore di accensione	33. Coperchio	49. Bullone esagonale
17. Interruttore di inversione		50. 80-100 mm

CARATTERISTICHE TECNICHE

Modello	DUR142L	DUR182L	DUR183L
Tipo di tubo	Tubo integrato		Tubo staccabile
Velocità a vuoto	3.500 - 6.000 min ⁻¹		
Lunghezza complessiva con testina da taglio in nylon	1.843 mm		
Lunghezza di separazione	—		982 mm
Diametro di taglio con testina da taglio in nylon	300 mm		
Peso netto (con BL1430 o BL1830)	3,8 kg	3,9 kg	4,1 kg
Tensione nominale	14,4 V CC		18 V CC
Batteria e caricabatteria standard ⚠ Utilizzare sempre le combinazioni di batteria/caricabatteria indicate nelle colonne a destra.	BL1415N, BL1430, BL1440, BL1450/DC18RC	BL1815N, BL1820, BL1820B, BL1830, BL1840, BL1840B, BL1850, BL1850B/DC18RC	

- Le caratteristiche tecniche riportate di seguito sono soggette a modifiche senza preavviso in virtù del nostro programma continuo di ricerca e sviluppo.
- Le caratteristiche tecniche e le batterie possono differire da paese a paese.
- Peso, comprensivo di batterie, calcolato in base alla Procedura EPTA 01/2003

Rumorosità	Livello di pressione sonora		Direttiva o standard applicabile
	Modello	L _{PA} (dB (A))	
	DUR142L	78	1,0
	DUR182L/DUR183L	79	0,7
			2000/14/EC

- Anche se il livello di pressione sonora sopra indicato è di 80 dB (A) o inferiore, il livello acustico in funzionamento potrebbe superare gli 80 dB (A). Indossare una protezione acustica.

Vibrazione	Punto di presa anteriore		Punto di presa posteriore		Direttiva o standard applicabile
	Modello	a _h (m/s ²)	Variazione K (m/s ²)	a _h (m/s ²)	
	DUR142L	≤ 2,5	1,5	≤ 2,5	1,5
	DUR182L/DUR183L	≤ 2,5	1,5	≤ 2,5	1,5
					EN786

- Il valore di emissione delle vibrazioni dichiarato è stato misurato in conformità con il metodo di test standard e può essere utilizzato per confrontare tra loro diversi utensili.
- Il valore dell'emissione delle vibrazioni dichiarato può anche essere usato per stime preliminari dell'esposizione.


AVVERTENZA:

- L'emissione delle vibrazioni durante l'uso effettivo dell'utensile elettrico può risultare diversa rispetto al valore dichiarato, in base alla modalità d'uso dell'utensile.
- Assicurarsi di individuare le necessarie misure di sicurezza per proteggere l'operatore in base a una stima dell'esposizione nelle condizioni reali di utilizzo (prendendo in considerazione tutte le fasi del ciclo operativo, come quante volte l'utensile viene spento e i periodi in cui rimane inattivo, oltre al tempo di avviamento).

Simboli

END020-3

Di seguito sono riportati i simboli utilizzati per l'apparecchio. È importante comprenderne il significato prima dell'uso.

 Prestare particolare cura e attenzione.



..... Leggere le istruzioni per l'uso.



..... Pericolo! Prestare attenzione agli oggetti scagliati.



..... La distanza tra l'utensile e gli osservatori deve essere di almeno 15 m.



..... Mantenere a distanza gli osservatori.



..... Mantenere una distanza di almeno 15 m.



..... Indossare casco, occhiali protettivi e protezione acustica.



..... Indossare guanti di protezione.



..... Indossare calzature rinforzate con soles antiscivolo. Si consigliano calzature antinfortunistiche con puntale in acciaio.



..... Evitare l'esposizione all'umidità.



..... Velocità massima consentita per l'utensile.



..... Non utilizzare lame in metallo.



Solo per Paesi UE
Non gettare le apparecchiature elettriche o le batterie tra i rifiuti

domestici.

Secondo le Direttive Europee sui rifiuti di apparecchiature elettriche ed elettroniche, su batterie e accumulatori e sui rifiuti di batterie e di accumulatori, e la sua attuazione in conformità alle norme nazionali, le apparecchiature elettriche e le batterie esauste devono essere raccolte separatamente, al fine di essere riciclate in modo eco-compatibile.

Solo per i Paesi europei

ENH219-3

Dichiarazione di conformità CE

Makita dichiara che le macchine seguenti:

Denominazione dell'utensile:

Tagliabordi a batteria

N. modello/Tipo: DUR142L, DUR182L, DUR183L

Caratteristiche tecniche: vedere la tabella

"CARATTERISTICHE TECNICHE".

sono conformi alle seguenti direttive europee:

2000/14/EC, 2006/42/EC

Sono prodotte in conformità agli standard o ai documenti standardizzati riportati di seguito:

EN60335

Il documento tecnico ai sensi della Direttiva europea 2006/42/EC è disponibile presso:

Makita, Jan-Baptist Vinkstraat 2, 3070, Belgio

La procedura di valutazione della conformità richiesta dalla Direttiva 2000/14/EC è stata effettuata secondo quanto specificato nell'allegato VI.

Ente competente:

TÜV Rheinland LGA Products GmbH

Tillystraße 2

90431 Nürnberg, Germania

Numero di identificazione 0197

Modelli DUR142L

Livello di potenza sonora misurato: 89 dB (A)

Livello di potenza sonora garantito: 90 dB (A)

Modelli DUR182L, DUR183L

Livello di potenza sonora misurato: 90 dB (A)

Livello di potenza sonora garantito: 90 dB (A)

31. 12. 2013




Yasushi Fukaya

Direttore

Makita, Jan-Baptist Vinkstraat 2, 3070, Belgio

ISTRUZIONI IMPORTANTI PER LA SICUREZZA

GEB109-3

 **AVVERTENZA! Leggere attentamente tutte le avvertenze di sicurezza e le istruzioni.** La mancata osservanza delle istruzioni e delle avvertenze potrebbe provocare scosse elettriche, incendi e/o infortuni gravi.

Conservare tutte le avvertenze e le istruzioni per consultarle in futuro.

1. Acquisire familiarità con i comandi e il corretto utilizzo dell'apparecchio.
2. Gli elementi di taglio continuano a ruotare dopo lo spegnimento del motore.
3. Non permettere l'uso della macchina a bambini o persone che non hanno dimestichezza con le presenti istruzioni.
4. Interrompere l'uso dell'utensile se nelle vicinanze sono presenti animali o persone, in particolare bambini.
5. Utilizzare l'utensile solo alla luce del giorno o in presenza di un'adeguata illuminazione artificiale.
6. Prima di utilizzare l'utensile e dopo qualsiasi urto, controllare la presenza di segni di usura o danni ed eventualmente provvedere agli interventi di riparazione necessari.
7. Prestare attenzione ai dispositivi per l'accorciamento del filo di taglio, in quanto possono causare infortuni. Dopo ogni estensione del filo, l'utensile deve essere riportato nella normale posizione operativa prima dell'accensione.
8. Non utilizzare elementi di taglio metallici.
9. Questo prodotto non è destinato all'uso da parte di persone (bambini inclusi) con ridotte capacità fisiche, sensoriali o mentali, o con scarsa esperienza e conoscenza del prodotto, a meno che non siano sotto supervisione o non ricevano istruzioni sull'uso della macchina da una persona responsabile della loro sicurezza. I bambini devono essere tenuti sotto controllo per evitare che giochino con la macchina.
10. Utilizzare l'utensile con la massima cura e attenzione.
11. L'utensile deve essere impiegato solo da persone in buone condizioni fisiche. Eseguire il lavoro con calma e attenzione. Adoperare il buonsenso e tenere presente che l'operatore o l'utilizzatore è responsabile di eventuali incidenti o pericoli che possono riguardare altre persone o le loro proprietà.
12. Non utilizzare l'utensile se si è stanchi, ammalati o si è sotto l'influenza di alcool o droghe.
13. Spegnerne immediatamente l'utensile se si rilevano anomalie di funzionamento.

Uso previsto dell'utensile

1. Utilizzare l'utensile adeguato. Il tagliabordi a batteria è destinato esclusivamente al taglio di erba ed erbacce leggere. Non deve essere utilizzato per alcun altro scopo, ad esempio la potatura di siepi, in quanto potrebbero verificarsi infortuni.

Dispositivi di protezione personale (Fig. 1 e 2)

1. Indossare un abbigliamento adeguato. Gli indumenti che si indossano devono essere funzionali e appropriati, ovvero aderenti ma senza causare impedimento. Non indossare gioielli o abiti che potrebbero impigliarsi nell'erba alta. Indossare una protezione per tenere raccolti i capelli lunghi.

2. Durante l'uso dell'utensile, indossare sempre calzature rinforzate con suola antiscivolo. Consentono la protezione dagli infortuni e garantiscono un buon equilibrio.
3. Indossare gli occhiali di protezione.

Sicurezza elettrica e della batteria

1. Evitare gli ambienti pericolosi. Non utilizzare l'utensile in luoghi umidi o bagnati e non esporlo alla pioggia. Le infiltrazioni d'acqua nell'utensile aumentano il pericolo di scosse elettriche.
2. Effettuare la ricarica esclusivamente con il caricabatterie specificato dal produttore. Un caricabatterie adatto per uno specifico tipo di batteria potrebbe provocare un pericolo di incendio se utilizzato con un'altra batteria.
3. Utilizzare gli utensili elettrici solo con le batterie specificate. L'uso di batterie diverse può far sorgere il rischio di infortuni o incendi.
4. Quando la batteria non è in uso, tenerla a distanza da oggetti metallici quali graffette, monete, chiavi, chiodi, viti o altri piccoli oggetti metallici che possono stabilire un contatto tra un polo e l'altro. Un cortocircuito dei poli della batteria potrebbe causare ustioni o incendi.
5. L'uso improprio può provocare la fuoriuscita del liquido della batteria; evitare il contatto con tale liquido. In caso di contatto accidentale, sciacquare abbondantemente con acqua. Rivolgersi a un medico in caso di contatto del liquido con gli occhi. Il liquido della batteria può causare irritazioni o ustioni.
6. Non smaltire le batterie nel fuoco. La pila potrebbe esplodere. Fare riferimento alle normative locali per eventuali istruzioni speciali di smaltimento.
7. Non aprire e non menomare le batterie. La fuoriuscita di elettrolita corrosivo può provocare danni agli occhi e alla cute. Non ingerire: rischio di intossicazione.

Avviamento dell'utensile (Fig. 3)

1. Assicurarsi che non siano presenti bambini o altre persone in un raggio di 15 metri; fare anche attenzione alla presenza di animali nelle vicinanze dell'area di lavoro. In caso contrario, interrompere l'uso dell'utensile.
2. Prima dell'uso, controllare sempre che l'utensile non presenti fattori di rischio per la sicurezza. Controllare la sicurezza dell'utensile da taglio, del coprilama e della leva/interruttore di accensione, verificando che funzionino in modo agevole e corretto. Controllare che le impugnature siano pulite e asciutte, quindi verificare la funzionalità dell'interruttore.
3. Verificare la presenza di parti danneggiate prima di utilizzare l'utensile. Sottoporre ad accurato controllo il coprilama o altri componenti danneggiati per stabilire se sono in grado di funzionare correttamente e per gli usi previsti. Verificare l'allineamento e il collegamento delle parti mobili, cercare eventuali componenti danneggiati, controllare il montaggio e verificare qualunque altra condizione che possa incidere sul corretto funzionamento. Il coprilama o altre parti danneggiate devono essere riparati o sostituiti da

centri assistenza autorizzati, salvo diversa indicazione nel presente manuale.

4. **Accendere il motore solo quando le mani e i piedi si trovano a debita distanza dall'utensile da taglio.**
5. **Prima dell'avviamento assicurarsi che l'utensile da taglio non sia a contatto con oggetti rigidi come rami, pietre e così via, poiché all'avvio l'utensile inizierà a ruotare.**

Modalità di funzionamento

1. **Non utilizzare l'utensile se i coprilama sono danneggiati o assenti.**
2. **Utilizzare l'utensile solo in buone condizioni di luce e visibilità. Durante la stagione invernale prestare attenzione alle aree scivolose o umide, al ghiaccio e alla neve (pericolo di scivolamento). Assicurarsi sempre di avere una buona presa a terra.**
3. **Prestare attenzione ai possibili infortuni a mani e piedi causati dall'utensile da taglio.**
4. **Tenere sempre mani e piedi distanti dall'utensile da taglio, soprattutto all'accensione del motore.**
5. **Non eseguire tagli a un'altezza superiore a quella della vita.**
6. **Non utilizzare l'utensile mentre ci si trova su una scala.**
7. **Non lavorare su superfici instabili.**
8. **Non sporgersi eccessivamente. Mantenere sempre l'equilibrio e un punto d'appoggio adeguati.**
9. **Rimuovere sabbia, pietre, chiodi, ecc. dall'area di lavoro. I corpi estranei possono danneggiare l'utensile da taglio ed essere scagliati lontano, provocando gravi infortuni.**
10. **Se l'utensile da taglio colpisce una pietra o un altro oggetto duro, spegnere immediatamente il motore e ispezionare l'utensile da taglio.**
11. **Prima di iniziare il taglio, è necessario che l'utensile abbia raggiunto la piena velocità operativa.**
12. **Reggere sempre l'utensile con entrambe le mani durante l'utilizzo. Non tenere l'utensile con una mano sola durante l'utilizzo. Assicurarsi sempre di avere una buona presa a terra.**
13. **Durante l'uso devono essere adoperati tutti i dispositivi di protezione forniti con l'utensile (ad esempio i coprilama).**
14. **Fatti salvi i casi di emergenza, non lasciar cadere o gettare l'utensile a terra: l'impatto potrebbe danneggiarlo gravemente.**
15. **Non trascinare l'utensile sul terreno durante gli spostamenti da un punto all'altro: l'attrito potrebbe danneggiare l'utensile.**
16. **Rimuovere sempre la batteria dall'utensile:**
 - quando l'utensile rimane incustodito;
 - prima di rimuovere un'ostruzione;
 - prima di ispezionare, pulire o eseguire qualsiasi operazione sull'utensile;
 - prima di effettuare regolazioni, cambiare gli accessori o riporre l'utensile;
 - se l'utensile inizia a vibrare in modo anomalo;
 - durante il trasporto dell'utensile.
17. **Non forzare l'utensile. Il lavoro verrà svolto meglio e con minori rischi per la sicurezza personale**

rispettando la velocità per la quale è stato progettato.

Istruzioni per la manutenzione

1. **Verificare le condizioni dell'utensile da taglio, dei dispositivi di protezione e della cinghia a spalla prima di iniziare il lavoro.**
2. **Spegnere il motore e rimuovere la batteria prima di eseguire interventi di manutenzione, sostituzione e pulizia dell'utensile da taglio.**
3. **Rimuovere sempre la batteria dall'utensile e verificare la presenza di danni dopo ogni utilizzo.**
4. **Controllare che non vi siano dispositivi di fissaggio allentati o parti danneggiate, ad esempio crepe nell'utensile da taglio.**
5. **Quando l'utensile non è in uso, conservarlo in un luogo asciutto, chiuso a chiave o comunque fuori dalla portata dei bambini.**
6. **Utilizzare solamente parti e accessori di ricambio raccomandati dal produttore.**
7. **Assicurarsi sempre che le prese d'aria siano libere da detriti.**
8. **Ispezionare ed eseguire regolarmente la manutenzione dell'utensile, in particolare prima e dopo l'uso. Far riparare l'utensile solo presso un centro assistenza autorizzato.**
9. **Mantenere le impugnature asciutte, pulite e prive di olio e grasso.**

CONSERVARE QUESTE ISTRUZIONI.

⚠ AVVERTENZA:

NON lasciare che la familiarità acquisita con il prodotto (dovuta all'uso ripetuto) provochi l'inosservanza delle norme di sicurezza. L'USO IMPROPRIO o la mancata osservanza delle norme di sicurezza indicate in queste istruzioni per l'uso possono provocare gravi danni alla persona.

ISTRUZIONI IMPORTANTI PER LA SICUREZZA

ENC007-9

RELATIVE ALLA BATTERIA

1. **Prima di utilizzare la batteria, leggere tutte le istruzioni e gli avvisi di sicurezza relativi a (1) caricabatteria, (2) batteria e (3) prodotto utilizzato con la batteria.**
2. **Non smontare la batteria.**
3. **Se il tempo di funzionamento è diventato eccessivamente breve, non utilizzare l'utensile. Potrebbero verificarsi surriscaldamenti, ustioni o esplosioni.**
4. **In caso di contatto dell'elettrolita della batteria con gli occhi, sciacquare con acqua fresca e rivolgersi immediatamente a un medico. Potrebbero verificarsi danni permanenti alla funzionalità visiva.**
5. **Non cortocircuitare la batteria:**
 - (1) **Non toccare i terminali della batteria con materiale in grado di condurre elettricità.**

- (2) **Evitare di conservare la batteria a contatto con oggetti metallici quali chiodi, monete e così via.**
- (3) **Non esporre le batterie all'acqua o alla pioggia.**

Un cortocircuito può provocare un elevato flusso di corrente, surriscaldamento, ustioni o rotture.

- 6. **Non conservare l'utensile e la batteria a una temperatura superiore a 50 °C.**
- 7. **Evitare di smaltire le batterie danneggiate o esaurite bruciandole. Se esposte al fuoco, le batterie possono esplodere.**
- 8. **Evitare di far cadere o di colpire la batteria.**
- 9. **Non utilizzare batterie danneggiate.**
- 10. **Attenersi alle normative della propria area geografica relative allo smaltimento delle batterie.**

CONSERVARE QUESTE ISTRUZIONI.

Suggerimenti per il prolungamento della durata della batteria

- 1. **Caricare le batterie prima di scaricarle completamente.**
Se si nota una diminuzione di potenza dell'utensile, interrompere il lavoro e ricaricare la batteria.
- 2. **Non ricaricare una batteria già completamente carica.**
In caso contrario, la durata operativa della batteria potrebbe ridursi.
- 3. **Caricare la batteria in ambienti con temperatura compresa tra 10 °C e 40 °C.** Prima di caricare una batteria surriscaldata, lasciarla raffreddare.
- 4. **Caricare la batteria qualora non venga utilizzata per un lungo periodo (superiore a sei mesi).**

Descrizione dei componenti (Fig. 4)

DESCRIZIONE FUNZIONALE

⚠ AVVERTENZA:

- **Prima di regolare o controllare le funzioni dell'utensile, verificare sempre che sia spento e che la batteria sia stata rimossa.** Se l'utensile non è spento e privo di batteria potrebbero verificarsi gravi lesioni personali dovute a un avviamento accidentale.

Installazione o rimozione della batteria (Fig. 5)

⚠ ATTENZIONE:

- **Spegnere sempre l'utensile prima di inserire o rimuovere la batteria.**
- **Tenere saldamente l'utensile e la batteria durante l'inserimento o la rimozione della batteria stessa.** In caso contrario, l'utensile e la batteria potrebbero scivolare dalle mani, con conseguenti danni all'utensile, alla batteria e alla persona.

Per rimuovere la batteria, è sufficiente estrarla dall'utensile facendo scorrere il pulsante sulla parte anteriore della batteria.

Per inserire la batteria, allineare la linguetta sulla batteria con la scanalatura nell'alloggiamento e farla scorrere in posizione. Inserire a fondo la batteria fino a bloccarla in posizione con uno scatto. Se è visibile l'indicatore rosso sul lato superiore del pulsante, significa che la batteria non è completamente inserita.

⚠ ATTENZIONE:

- **Inserire sempre a fondo la batteria, fino alla scomparsa dell'indicatore rosso.** In caso contrario, la batteria potrebbe fuoriuscire accidentalmente dall'utensile, provocando danni all'operatore o a eventuali osservatori.
- **Non forzare l'inserimento della batteria.** Se la batteria non scorre agevolmente, significa che la manovra di inserimento non è corretta.

Azionamento dell'interruttore di accensione

⚠ AVVERTENZA:

- **Prima di inserire la batteria nell'utensile, controllare se l'interruttore di accensione funziona correttamente e ritorna nella posizione "OFF" una volta rilasciato. Non tirare con forza l'interruttore senza aver prima premuto la leva di accensione. Si corre il rischio di causare la rottura dell'interruttore.** L'utilizzo di un utensile con un interruttore malfunzionante può causare la perdita di controllo e infortuni gravi. (Fig. 6)

Premere il pulsante di accensione sull'alloggiamento in modo da accendere l'utensile e permettere agli indicatori di accensione di illuminarsi. (Fig. 7)

La leva di accensione consente di evitare l'azionamento involontario dell'interruttore di accensione.

Per avviare l'utensile, far scorrere la leva di accensione e tirare l'interruttore di accensione. Rilasciare l'interruttore di accensione per spegnerlo.

NOTA:

- L'utensile si spegne automaticamente se, dopo aver premuto il pulsante di accensione, viene lasciato un minuto senza eseguire alcuna operazione.

Interruttore di inversione per la rimozione di detriti

⚠ AVVERTENZA:

- **Prima di rimuovere erbacce e detriti incastrati nello strumento (che non possono essere eliminati con il funzionamento con direzione di rotazione inversa), verificare sempre che l'utensile sia spento e che la batteria sia stata rimossa.** Se l'utensile non è spento e privo di batteria potrebbero verificarsi gravi lesioni personali dovute a un avviamento accidentale. (Fig. 8)

L'utensile è dotato di un interruttore di inversione della rotazione il cui scopo è unicamente quello di cambiare la direzione di rotazione al fine di rimuovere erbacce e detriti incastrati nell'utensile. Per il normale funzionamento dell'utensile, l'interruttore deve essere premuto in corrispondenza del lato "A".

Per rimuovere erbacce e detriti inceppati nella testina di rotazione, è possibile invertire la direzione di rotazione dell'utensile premendo il lato "B" dell'interruttore. Nella

posizione di direzione inversa l'utensile viene azionato solo per un breve periodo e si spegne automaticamente.

AVVISO:

- Prima di azionare l'utensile, controllare sempre la direzione di rotazione impostata.
- Utilizzare l'interruttore di inversione solo quando l'utensile è completamente fermo. Una modifica della direzione di rotazione prima dell'arresto potrebbe danneggiare l'utensile.

Ghiera di regolazione della velocità

(Fig. 9)

La velocità dell'utensile può essere regolata infinitamente da 3.500 min⁻¹ a 6.000 min⁻¹ con la ghiera di regolazione della velocità.

Per aumentare la velocità, ruotare la ghiera di regolazione della velocità in senso orario. Per diminuire la velocità, ruotare la manopola in senso antiorario.

Sistema di protezione della batteria

(batteria agli ioni di litio con contrassegno a stella) (Fig. 10)

Le batterie agli ioni di litio con contrassegno a stella sono dotate di un sistema di protezione. Questo sistema interrompe automaticamente l'alimentazione dell'utensile per prolungare la durata della batteria.

Indicatore di accensione	Indicatore della batteria	Stato	Azione da compiere
	Lampeggiante	La batteria è quasi scarica.	Sostituire la batteria con una completamente carica.
	Acceso	Il sistema di protezione della batteria sta spegnendo l'utensile - la batteria è scarica.	Sostituire la batteria con una completamente carica.
Lampeggiante		Il sistema di protezione da surriscaldamento sta spegnendo l'utensile - surriscaldamento.	Lasciare spento l'utensile e farlo raffreddare per un certo periodo di tempo.

013900

Indicazione della capacità residua della batteria

(Solo per batterie il cui codice modello termina con "B").
(Fig. 12)

Premere il pulsante di controllo sulla batteria per visualizzare la capacità residua della batteria. Le spie luminose si illuminano per qualche secondo.

L'utensile si spegne automaticamente durante l'uso se l'utensile stesso e/o la batteria si trovano in una delle seguenti condizioni:

- **Sovraccarico:**
La modalità d'uso dell'utensile provoca un assorbimento anomalo di corrente.
In questa situazione, rilasciare l'interruttore di accensione dell'utensile e interrompere l'operazione che ha provocato il sovraccarico dell'utensile stesso. Azionare di nuovo l'interruttore di accensione per riavviare l'utensile.
Se l'utensile non si avvia, si è verificato un surriscaldamento della batteria. In questo caso, attendere che la batteria si raffreddi prima di azionare nuovamente l'interruttore di accensione.
- **Bassa tensione della batteria:**
La capacità residua della batteria è troppo bassa e non consente di utilizzare l'utensile. In questo caso, rimuovere e ricaricare la batteria.

Spie luminose (Fig. 11)

Se durante l'utilizzo dell'utensile il sistema di protezione è in funzione, le spie si illuminano.

Fare riferimento alla seguente tabella per le informazioni di stato e le azioni da compiere a seconda della spia luminosa.

Spie luminose			Capacità residua
Accesa	Spenta	Lampeggiante	
			Dal 75% al 100%
			Dal 50% al 75%
			Dal 25% al 50%
			Dal 0% al 25%
			Caricare la batteria.
			Probabile malfunzionamento della batteria.

015658

NOTA:

- Il valore indicato potrebbe variare leggermente dalla capacità effettiva in base alle condizioni di utilizzo e alla temperatura ambientale.

Testina da taglio in nylon

AVVISO:

- Non tentare di far avanzare la testina battendola a terra mentre l'utensile è in funzione ad alta velocità. Questa procedura può danneggiare la testina da taglio in nylon.
- L'avanzamento con battitura non funziona correttamente se la testina non è in rotazione. (Fig. 13)

La testina da taglio in nylon è una testina tagliabordi a doppio filo munita di un meccanismo di avanzamento del filo a battitura.

Per provocare la fuoriuscita del filo di nylon, la testina da taglio deve essere battuta sul terreno durante una rotazione a bassa velocità.

NOTA:

Se non si riesce ad estrarre il filo in nylon battendo la testina, riavvolgere o sostituire il filo seguendo le procedure descritte in "Manutenzione".

MONTAGGIO

⚠ AVVERTENZA:

- **Prima di eseguire qualsiasi tipo di intervento, verificare sempre che l'utensile sia spento e che la batteria sia stata rimossa.** Se l'utensile non è spento e privo di batteria potrebbero verificarsi gravi lesioni personali dovute a un avviamento accidentale.
- **Non avviare l'utensile se questo non è stato interamente montato.** L'uso di un utensile parzialmente montato potrebbe causare gravi lesioni personali dovute a un avviamento accidentale.

Montaggio del tubo di collegamento

Solo per il modello DUR183L (Fig. 14)

Per montare l'accessorio su un gruppo di alimentazione:

1. Assicurarsi che la leva non sia serrata.
2. Per aprire l'ingresso della giunzione, premere il coprigiunzione. (Fig. 15)
3. Allineare la sporgenza sul tubo (lato dell'utensile da taglio) con la porzione concava della parte della giunzione.
4. Inserire il tubo di collegamento nella parte della giunzione. Assicurarsi che la superficie della leva di blocco sia in posizione orizzontale rispetto al tubo.
5. Serrare saldamente la leva come mostrato in figura.

Per rimuovere l'accessorio, allentare la leva, premere la parte anteriore della leva di blocco e far scorrere il tubo.

Montaggio del punto di presa (Fig. 16)

Montare il punto di presa sull'albero stringendolo con due bulloni esagonali. Assicurarsi che il distanziatore sull'albero si trovi tra i due punti di presa. Non rimuovere o accorciare il distanziatore.

⚠ ATTENZIONE:

- Per il modello DUR183L, non installare mai il punto di presa sulla giunzione.

Montaggio del coprilama

⚠ AVVERTENZA:

- **Non utilizzare l'utensile se il coprilama mostrato nella figura non è installato.** La mancata osservanza di questa precauzione può provocare gravi lesioni personali. (Fig. 17 e 18)

Allineare le sporgenze sulla protezione con le scanalature dell'alloggiamento del motore. (Fig. 19)

Allineare le sporgenze sul supporto protezione con le porzioni concave dell'alloggiamento del motore. Inserire il supporto protezione nell'alloggiamento del motore. (Fig. 20)

Dopo aver fissato la protezione e il supporto protezione nell'alloggiamento del motore, serrare saldamente i bulloni esagonali.

Montaggio della protezione per il filo

⚠ ATTENZIONE:

- Prima di regolare la protezione per il filo, attendere che la testina da taglio sia completamente ferma. Non regolare la protezione per il filo con i piedi. (Fig. 21)
- Per ridurre il rischio di danneggiare gli oggetti di fronte alla testina da taglio, inserire la protezione per il filo in modo da controllare il raggio di taglio del filo stesso. (Fig. 22)
- Estendere leggermente la protezione per il filo verso l'esterno, quindi inserirla nei fori della protezione.

NOTA:

- Non estendere eccessivamente la protezione per il filo verso l'esterno. In caso contrario potrebbe rompersi. (Fig. 23)

Quando la protezione per il filo non è in uso, sollevarla per la posizione di riposo.

Montaggio della testina da taglio in nylon

AVVISO:

- Usare solo testine da taglio in nylon originali Makita.

Per sostituire facilmente la testina da taglio in nylon, capovolgere l'utensile. (Fig. 24)

Inserire la chiave esagonale attraverso il foro nel coperchio protettivo e nell'alloggiamento del motore, quindi ruotare la rondella ricevente fino a che non rimane bloccata con la chiave esagonale. Montare la protezione metallica e la testina da taglio in nylon direttamente sul perno filettato e stringere girando in senso antiorario. Rimuovere la chiave esagonale.

Per rimuovere la testina da taglio in nylon, ruotare la testina in senso orario tenendo ferma la rondella ricevente con la chiave esagonale.

⚠ ATTENZIONE:

- **Durante l'uso, se la testina da taglio in nylon colpisce accidentalmente una pietra o un oggetto duro, è opportuno spegnere l'utensile e verificare la presenza di danni. Una testina da taglio in nylon danneggiata deve essere sostituita immediatamente.** L'uso di una testina da taglio in nylon danneggiata può causare gravi danni alla persona.

USO

Uso corretto dell'utensile

Aggancio della cintura a spalla (Fig. 25)

Indossare la cintura a spalla, quindi allacciare le fibbie su entrambi i ganci e la cintura. Assicurarsi che le fibbie producano uno scatto, bloccandosi in posizione.

Solo per il modello DUR183L (Fig. 26)

Quando il coperchio non è in uso, appenderlo sul gancio.

Rimozione (Fig. 27)

La fibbia è dotata di uno strumento per lo sgancio rapido. Comprimere semplicemente i lati e la fibbia per sganciare l'utensile.

AVVERTENZA:

- **In ogni circostanza prestare particolare attenzione nel mantenere il controllo dell'utensile. Impedire che l'utensile venga deviato verso l'operatore o chiunque si trovi nelle vicinanze.** Il mancato controllo dell'utensile può causare lesioni gravi agli osservatori e all'operatore.

Regolazione della posizione della staffa e della cintura a spalla (Fig. 28)

Per cambiare la posizione della staffa, allentare i bulloni esagonali sulla staffa con la chiave in dotazione. Muovere la staffa.

Dopo aver regolato la posizione della staffa, è possibile serrare i bulloni esagonali con la chiave.

MANUTENZIONE

AVVERTENZA:

- **Prima di effettuare operazioni di ispezione o manutenzione sull'utensile, verificare sempre che l'utensile sia spento e che la batteria sia stata rimossa.** Se l'utensile non è spento e privo di batteria potrebbero verificarsi gravi lesioni personali dovute a un avviamento accidentale.

AVVISO:

Evitare assolutamente di usare benzina, diluenti, solventi, alcol o sostanze simili. In caso contrario, potrebbero verificarsi scoloriture, deformazioni o incrinature.

Sostituzione del filo in nylon

AVVERTENZA:

- **Assicurarsi che il coperchio della testina da taglio in nylon sia fissato correttamente sull'alloggiamento come descritto di seguito.** Il mancato fissaggio del coperchio può causare un distacco della testina da taglio, con conseguenti lesioni personali gravi. (Fig. 29)

Togliere il coperchio dall'alloggiamento, premendo i due dispositivi di chiusura che si trovano sui due lati opposti dell'alloggiamento. (Fig. 30)

Tagliare un filo di nylon in 3-6 m. Piegare il filo di taglio in due metà e lasciarne una più lunga di 80-100 mm rispetto all'altra. (Fig. 31)

Agganciare la parte centrale del nuovo filo di nylon alla tacca posta al centro della bobina tra i due canali che ospitano il filo di nylon.

Avvolgere saldamente entrambe le estremità intorno alla bobina nella direzione indicata sulla testina per la direzione sinistrorsa (LH). (Fig. 32)

Avvolgere tutto il filo, tranne 100 mm, lasciando le estremità temporaneamente agganciate alla tacca sul fianco della bobina. (Fig. 33)

Montare la bobina sul coperchio in modo che le scanalature e le sporgenze della bobina coincidano con quelle sul coperchio. Sganciare quindi le estremità del filo dalla loro posizione temporanea e passarle attraverso gli occhielli, in modo che fuoriescano dal coperchio. (Fig. 34) Allineare la sporgenza sul lato inferiore del coperchio con le aperture degli occhielli. Spingere saldamente il coperchio sull'alloggiamento per fissarlo. Assicurarsi che i fermi di chiusura siano completamente inseriti nel coperchio.

Per preservare la SICUREZZA e l'AFFIDABILITÀ del prodotto, qualsiasi riparazione o intervento di manutenzione e regolazione deve essere eseguito dai centri assistenza autorizzati Makita utilizzando sempre ricambi Makita.

RISOLUZIONE DEI PROBLEMI

Prima di richiedere la riparazione, condurre autonomamente un'ispezione. Se si individua un problema non specificato nel manuale, non tentare di smontare l'utensile. Rivolgersi invece ai centri di assistenza autorizzati Makita, utilizzando per le riparazioni sempre ricambi Makita.

Problema di funzionamento	Causa	Azione
Il motore non si avvia.	La batteria non è inserita.	Inserire la batteria.
	Problema della batteria (sottotensione)	Ricaricare la batteria. Se la ricarica non è efficace, sostituire la batteria.
	Il sistema di guida non funziona correttamente.	Rivolgersi al più vicino centro di assistenza autorizzato per la riparazione.
Il motore si spegne dopo poco tempo.	La rotazione è invertita.	Cambiare la direzione di rotazione con l'interruttore di inversione.
	Il livello di carica della batteria è basso.	Ricaricare la batteria. Se la ricarica non è efficace, sostituire la batteria.
	Surriscaldamento.	Spegnere l'utensile e attendere che si raffreddi.
Non viene raggiunto il regime massimo del motore.	La batteria è inserita in modo scorretto.	Inserire la batteria seguendo le istruzioni riportate nel presente manuale.
	La batteria si sta esaurendo.	Ricaricare la batteria. Se la ricarica non è efficace, sostituire la batteria.
	Il sistema di guida non funziona correttamente.	Rivolgersi al più vicino centro di assistenza autorizzato per la riparazione.
L'utensile da taglio non ruota: arrestare immediatamente l'utensile.	Un corpo estraneo, ad esempio un ramo, è incastrato tra il coprilama e la testina da taglio in nylon.	Rimuovere il corpo estraneo.
	Il sistema di guida non funziona correttamente.	Rivolgersi al più vicino centro di assistenza autorizzato per la riparazione.
Vibrazione anomala: arrestare immediatamente l'utensile.	Un'estremità del filo di nylon si è spezzata.	Battere la testina da taglio in nylon sul terreno durante la rotazione per provocare l'alimentazione del filo.
	Il sistema di guida non funziona correttamente.	Rivolgersi al più vicino centro di assistenza autorizzato per la riparazione.
L'utensile da taglio e il motore non si arrestano: rimuovere immediatamente la batteria.	Malfunzionamento elettrico o elettronico.	Rimuovere la batteria e rivolgersi al centro di assistenza autorizzato di zona per la riparazione.

010856

ACCESSORI OPZIONALI

ATTENZIONE:

- Si consiglia l'uso dei seguenti accessori per l'utensile Makita descritto in questo manuale. L'uso di qualsiasi altro accessorio potrebbe provocare lesioni personali. Utilizzare gli accessori esclusivamente per l'uso dichiarato.

Per l'assistenza e per ulteriori informazioni su tali accessori, rivolgersi al centro assistenza Makita di zona.

- Testina da taglio in nylon
- Filo di nylon (filo di taglio)
- Cintura a spalla
- Chiave esagonale
- Batteria e caricabatteria originali Makita

NOTA:


- Alcuni degli accessori elencati potrebbero essere inclusi nella confezione dell'utensile come accessori standard. Gli accessori standard possono differire da paese a paese.

NEDERLANDS (Originele instructies)

Verklaring van het onderdelenoverzicht

1. Accu	18. A Ingedrukte stand voor normale werking	34. Klemmen
2. Snelheidsregelaar	19. B Ingedrukte stand voor verwijderen van onkruid of vuil	35. Kant van snijgarmituur
3. Indicatorlampje	20. Ster-merkteken	36. Afstandshouder
4. Aan-uitknop	21. Accu-indicator	37. Groeven
5. Uit-vergrendeling	22. Indicatorlampjes	38. Beschermkap
6. Bevestigingssoog (bevestigingspunt)	23. Testknop	39. Holvormige openingen
7. Handgreep	24. Meest effectieve maaigebied	40. Beschermkaphouder
8. Aan/uit-schakelaar	25. Aansluiting	41. Uitsteeksels
9. Beschermkap	26. Vergrendelhendel	42. Gaten
10. Beschermbeugel	27. Aansluitingafdekking	43. Nylondraad-snijkop
11. Snijgarmituur	28. Hendel	44. Metalen bescherming
12. Schouderdraagstel	29. Buis (kant van snijgarmituur)	45. Ontvangerring
13. Dop	30. Holvormige opening	46. Inbusseutel
14. Rode deel	31. Uitsteeksel	47. Gesp
15. Knop	32. Inbusbouten	48. Haak
16. Aan-indicator	33. Deksel	49. Inbusbout
17. Omkeerschakelaar		50. 80-100 mm

TECHNISCHE GEGEVENS

Model	DUR142L	DUR182L	DUR183L
Type buis	Geïntegreerde buis		Deelbare buis
Onbelast toerental	3.500 - 6.000 min ⁻¹		
Totale lengte met nylondraad-snijkop	1.843 mm		
Gedeelde lengte	—		982 mm
Maaidiameter met nylondraad-snijkop	300 mm		
Nettogewicht (met BL1430 of BL1830)	3,8 kg	3,9 kg	4,1 kg
Nominale spanning	14,4 volt gelijkstroom	18 volt gelijkstroom	
 Standaardaccu en acculader Gebruik altijd de combinatie accu/acculader in de rechterkolom.	BL 1415N, BL 1430, BL 1440, BL 1450/DC18RC	BL 1815N, BL 1820, BL 1820B, BL 1830, BL 1840, BL 1840B, BL 1850, BL 1850B/DC18RC	

- Als gevolg van ons doorlopende onderzoeks- en ontwikkelingsprogramma, zijn de technische gegevens van dit gereedschap onderhevig aan veranderingen zonder voorafgaande kennisgeving.
- Specificaties en accu's kunnen van land tot land verschillen.
- Gewicht, inclusief de accu, volgens de EPTA-procedure 01/2003

Geluid	Geluidsdruk niveau		Toepasselijke norm of richtlijn	
	Model	L _{PA} (dB (A))		Onzekerheid K (dB (A))
	DUR142L	78	1,0	2000/14/EC
	DUR182L/DUR183L	79	0,7	

- Zelfs als het bovenvermelde geluidsdruk niveau 80 dB (A) of minder is, kan het niveau tijdens bedrijf hoger zijn dan 80 dB (A). Draag gehoorbescherming.

Trillingen	Voorhandgreep		Achterhandgreep		Toepasselijke norm of richtlijn	
	Model	a _h (m/s ²)	Onzekerheid (K) (m/s ²)	a _h (m/s ²)		Onzekerheid (K) (m/s ²)
	DUR142L	≤ 2,5	1,5	≤ 2,5	1,5	EN786
	DUR182L/DUR183L	≤ 2,5	1,5	≤ 2,5	1,5	

- De opgegeven trillingsemisiewaarde is gemeten volgens de standaardtestmethode en kan worden gebruikt om dit gereedschap te vergelijken met andere gereedschappen.
- De opgegeven trillingsemisiewaarde kan ook worden gebruikt voor een beoordeling vooraf van de blootstelling.

⚠ WAARSCHUWING:

- De trillingsemisie tijdens het gebruik van het elektrisch gereedschap in de praktijk kan verschillen van de opgegeven trillingsemisiewaarde afhankelijk van de manier waarop het gereedschap wordt gebruikt.
- Zorg ervoor dat veiligheidsmaatregelen worden getroffen ter bescherming van de operator die zijn gebaseerd op een schatting van de blootstelling onder praktijkomstandigheden (rekening houdend met alle fasen van de bedrijfscyclus, zoals de tijdsduur gedurende welke het gereedschap is uitgeschakeld en stationair draait, naast de ingeschakelde tijdsduur).

Symbolen END020-3

Hieronder staan de symbolen die voor het gereedschap worden gebruikt. Zorg ervoor dat u weet wat ze betekenen alvorens de accu te gebruiken.

-  Besteed bijzondere zorg en aandacht.
-  Lees de gebruiksaanwijzing.
-  Gevaar: wees bedacht op opgeworpen voorwerpen.
-  De afstand tussen het gereedschap en omstanders moet minstens 15 meter te zijn.
-  Houd omstanders uit de buurt.
-  Blijf minstens 15 meter uit de buurt.
-  Draag een veiligheidshelm, veiligheidsbril en gehoorbescherming.
-  Draag veiligheidshandschoenen.
-  Draag stevige schoenen met antislipzolen. Veiligheidsschoenen met stalen neuzen worden aanbevolen.
-  Stel het gereedschap niet bloot aan vocht.
-  Toegestaan maximumtoerental.
-  Gebruik nooit een metalen snijblad.
-  Alleen voor EU-landen
Geef elektrisch gereedschap en accu's niet met het huisvuil mee!
Volgens de Europese richtlijn inzake

oude elektrische en elektronische apparaten, en inzake batterijen en accu's en oude batterijen en accu's, en de toepassing daarvan binnen de nationale wetgeving, dienen elektrisch gereedschap, accu's en batterijen die het einde van hun levensduur hebben bereikt, gescheiden te worden ingezameld en te worden afgevoerd naar een recyclebedrijf dat voldoet aan de geldende milieu-eisen.

**Alleen voor Europese landen
EU-verklaring van conformiteit**

ENH219-3

Makita verklaart dat de volgende machine(s):

Aanduiding van de machine:
Accugrastrimmer
Modelnr./Type: DUR142L, DUR182L, DUR183L
Technische gegevens: zie de tabel "TECHNISCHE GEGEVENS".

Voldoen aan de volgende Europese richtlijnen:

2000/14/EG en 2006/42/EG

Deze zijn gefabriceerd in overeenstemming met de volgende normen of genormaliseerde documenten:
EN60335

Het technische bestand volgens 2006/42/EG is verkrijgbaar bij:

Makita, Jan-Baptist Vinkstraat 2, 3070, België

De conformiteitsbeoordelingsprocedure vereist door Richtlijn 2000/14/EG was is Overeenstemming met annex VI.

Officiële instantie:

TÜV Rheinland LGA Products GmbH
Tillystraße 2
90431 Nürnberg, Duitsland
Identificatienummer 0197

Model DUR142L

Gemeten geluidsvermogeniveau: 89 dB (A)

Gegarandeerd geluidsvermogeniveau: 90 dB (A)

Model DUR182L en DUR183L

Gemeten geluidsvermogeniveau: 90 dB (A)

Gegarandeerd geluidsvermogeniveau: 90 dB (A)

31. 12. 2013



Yasushi Fukaya
Directeur

Makita, Jan-Baptist Vinkstraat 2, 3070, België

**BELANGRIJKE
VEILIGHEIDSINSTRUCTIES**

GEB109-3

⚠ WAARSCHUWING! Lees alle

veiligheidswaarschuwingen en alle instructies. Het niet volgen van de waarschuwingen en instructies kan leiden tot elektrische schokken, brand en/of ernstig letsel.

Bewaar alle waarschuwingen en instructies om in de toekomst te kunnen raadplegen.

1. Zorg dat u vertrouwd bent met de bedieningselementen en het juiste gebruik van het gereedschap.
2. Na het uitschakelen van de motor blijft het snijgarntuur nog even ronddraaien.
3. Laat in geen geval het gereedschap gebruiken door kinderen of personen die niet bekend zijn met de instructies.
4. Onderbreek het gebruik van het gereedschap wanneer andere personen, met name kinderen, of huisdieren in de buurt komen.
5. Gebruik het gereedschap alleen bij daglicht of voldoende kunstlicht.
6. Vóór gebruik van het gereedschap en na iedere botsing, controleert u op tekenen van slijtage of beschadiging, en repareert u het gereedschap zo nodig.
7. Wees voorzichtig dat u geen letsel oploopt door het mesje voor het op lengte afsnijden van de nylondraad. Nadat u de nylondraad hebt uitgetrokken, zet u het gereedschap altijd eerst terug rechtop voordat u hem inschakelt.
8. Monteer nooit een metalen snijgarntuur.
9. Dit gereedschap is niet geschikt voor gebruik door personen (waaronder kinderen) met een verminderd lichamelijk, zintuiglijk of geestelijk vermogen, of gebrek aan kennis en ervaring, behalve indien zij instructies hebben gehad en onder toezicht staan van een persoon die verantwoordelijk is voor hun veiligheid. Kinderen dienen onder toezicht te staan om ervoor te zorgen dat zij niet met het gereedschap spelen.
10. Gebruik het gereedschap met de hoogstmogelijke zorg en aandacht.
11. Gebruik het gereedschap alleen als u in goede lichamelijke conditie bent. Werk altijd rustig en voorzichtig. Gebruik uw gezond verstand en denk eraan dat de gebruiker van het gereedschap verantwoordelijk is voor ongelukken en gevaren die personen of hun eigendommen kunnen overkomen.
12. Bedien het gereedschap nooit wanneer u vermoeid bent, zich ziek voelt, of onder invloed bent van alcohol of drugs.
13. Het gereedschap moet onmiddellijk uitgeschakeld worden als tekenen van een ongebruikelijke werking merkbaar zijn.

Bedoeld gebruik van het gereedschap

1. Gebruik het juiste gereedschap. De accugrastimmer is uitsluitend bedoeld voor het maaien van gras en kleine onkruiden. Het mag niet worden gebruikt voor enig ander doel, zoals heggen snoeien, aangezien dit tot letsel kan leiden.

Persoonlijke-veiligheidsuitrusting (zie afb. 1 en 2)

1. Draag geschikte kleding. De te dragen kleding dient functioneel en geschikt te zijn, d.w.z. nauwsluitend zonder te hinderen. Draag geen juwelen of kleding die verstrikt kunnen raken in

hoog gras. Draag een haarbedekking om lang haar uit de weg te houden.

2. Draag altijd stevige schoenen met een antislipzool wanneer u het gereedschap gebruikt. Dit beschermt u tegen letsel en garandeert dat u stevig staat.
3. Draag een veiligheidsbril of een spatscherm.

Elektrische veiligheid en accu

1. Vermijd gevaarlijke omgevingen. Gebruik het gereedschap niet op vochtige of natte plaatsen en stel het niet bloot aan regen. Als water binnendringt in het gereedschap, wordt de kans op een elektrische schok groter.
2. Laad alleen op met de acculader aanbevolen door de fabrikant. Een acculader die geschikt is voor een bepaald type accu, kan brandgevaar opleveren indien gebruikt met een ander type accu.
3. Gebruik het gereedschap uitsluitend met de daarvoor bestemde accu. Als u een andere accu erin gebruikt, kan dit leiden tot persoonlijk letsel of brand.
4. Als de accu niet wordt gebruikt, houdt u deze uit de buurt van metalen voorwerpen zoals paperclips, muntgeld, sleutels, schroeven en andere kleine metalen voorwerpen die een kortsluiting kunnen veroorzaken tussen de accupolen. Kortsluiting tussen de accupolen kan leiden tot brandwonden of brand.
5. Onder zware gebruiksomstandigheden kan vloeistof uit de accu/batterijen komen. Voorkom aanraking! Als u deze vloeistof per ongeluk aanraakt, wast u dit goed af met water. Als de vloeistof in uw ogen komt, raadpleegt u een arts. Vloeistof uit de accu kan irritatie en brandwonden veroorzaken.
6. Werp de accu niet in een vuur. De accu kan exploderen. Raadpleeg de lokale regelgeving voor mogelijke speciale verwerkingsvereisten.
7. Open of vervorm de accu niet. Het elektrolyt is agressief en kan letsel toebrengen aan de ogen en huid. Het kan giftig zijn bij inslikken.

Het gereedschap inschakelen (zie afb. 3)

1. Controleer of er geen kinderen of andere mensen aanwezig zijn binnen een werkbereik van 15 meter en let ook op of er geen dieren in de werkomgeving zijn. Als dat het geval is, stopt u met het gebruik van het gereedschap.
2. Controleer voor gebruik altijd of het gereedschap veilig is om te gebruiken. Controleer de veiligheid van het snijgarntuur en de beschermkap, en controleer of de aan/uit-schakelaar/hendel goed werkt en gemakkelijk kan worden bediend. Controleer of de handgrepen schoon en droog zijn en test de werking van de aan/uit-schakelaar.
3. Controleer op beschadigde onderdelen voordat u het gereedschap verder gebruikt. Een beschermkap of ander onderdeel dat beschadigd is, moet nauwkeurig worden onderzocht om te beoordelen of het goed werkt en zijn beoogde functie kan uitvoeren. Controleer of bewegende delen goed uitgelijnd zijn en niet vastgelopen zijn, of onderdelen niet kapot zijn en stevig gemonteerd zijn, en enige andere situatie die van

invloed kan zijn op de werking van het gereedschap. Een beschermkap of ander onderdeel dat beschadigd is, dient vakkundig te worden gerepareerd of vervangen door een erkend servicecentrum, behalve indien anders aangegeven in deze gebruiksaanwijzing.

- Schakel de motor alleen in wanneer de handen en voeten uit de buurt van het snijgarnituur zijn.
- Controleer vóór het starten of het snijgarnituur geen contact maakt met harde voorwerpen, zoals takken, stenen, enz., omdat tijdens het starten het snijgarnituur zal rondraaien.

Gebruiksmethode

- Gebruik het gereedschap nooit met beschadigde beschermkappen of zonder aangebrachte beschermkappen.
- Gebruik het gereedschap alleen bij goed licht en zicht. Wees in de winter bedacht op gladde of natte plaatsen, ijs en sneeuw (gevaar voor uitglijden). Zorg er altijd voor dat u stevig staat.
- Wees voorzichtig uw handen en voeten niet te verwonden aan het snijgarnituur.
- Houd altijd handen en voeten uit de buurt van het snijgarnituur, met name bij het inschakelen van de motor.
- Maai nooit boven heuphoogte.
- Sta nooit op een ladder met draaiend gereedschap.
- Werk nooit op een instabiele ondergrond.
- Reik niet te ver. Zorg altijd voor een stevige stand en goede lichaamsbalans.
- Verwijder zand, stenen, nagels, enz. die u binnen uw werkbereik vindt. Vreemde voorwerpen kunnen het snijgarnituur beschadigen en opgeworpen worden waardoor ernstig persoonlijk letsel kan worden veroorzaakt.
- Als het snijgarnituur stenen of andere harde voorwerpen raakt, moet u de motor onmiddellijk uitschakelen en het snijgarnituur controleren.
- Voordat u begint te maaien, moet het snijgarnituur op maximaal toerental draaien.
- Houd tijdens gebruik het gereedschap altijd met twee handen vast. Houd het gereedschap tijdens het gebruik nooit met slechts één hand vast. Zorg er altijd voor dat u stevig staat.
- De volledige veiligheidsuitrusting, zoals een beschermkap die bij het gereedschap wordt geleverd, moeten tijdens het werk worden gebruikt.
- Behalve in noodgevallen mag u het gereedschap nooit op de grond laten vallen of weggoien omdat hierdoor het gereedschap zwaar beschadigd kan raken.
- Sleep het gereedschap nooit over de grond wanneer u het wilt verplaatsen omdat hierdoor het gereedschap kan worden beschadigd.
- Verwijder altijd de accu uit het gereedschap:
 - iedere keer als u het gereedschap onbeheerd achterlaat;
 - voordat u een verstopping opheft;
 - voordat u het gereedschap controleert, reinigt of er werkzaamheden aan gaat verrichten;

- voordat u enige afstelling maakt, een accessoire vervangt of het gereedschap opbergt;
 - als het gereedschap op ongebruikelijke manier begint te trillen;
 - wanneer u het gereedschap gaat vervoeren.
- Forceer het gereedschap niet. Het gereedschap werkt beter en met een kleinere kans op letsel op de manier waarvoor het is ontworpen.

Onderhoudsinstructies

- De toestand van het snijgarnituur, de veiligheidsuitrusting en de schouderriem moet worden gecontroleerd voor aanvang van de werkzaamheden.
- Schakel de motor uit en verwijder de accu voordat u onderhoudswerkzaamheden uitvoert, het snijgarnituur vervangt, of het gereedschap schoonmaakt.
- Verwijder na gebruik de accu van het gereedschap en controleer op beschadigingen.
- Controleer of loszittende bevestigingen en beschadigde onderdelen, zoals bijna half-doorgescheurd in het snijgarnituur.
- Wanneer het gereedschap niet wordt gebruikt, bergt u het op op een droge plaats die op slot kan of buiten bereik van kinderen ligt.
- Gebruik uitsluitend de door de fabrikant aanbevolen vervangingsonderdelen en accessoires.
- Zorg ervoor dat de ventilatieopeningen altijd vrij zijn van vuil.
- Inspecteer en onderhoud het gereedschap regelmatig, met name vóór en na gebruik. Laat het gereedschap alleen repareren door een erkend servicecentrum.
- Houd de handgrepen droog, schoon en vrij van olie en vetten.

BEWAAR DEZE INSTRUCTIES.



WAARSCHUWING:

Laat u NIET misleiden door een vals gevoel van comfort en bekendheid met het gereedschap (na veelvuldig gebruik) en neem alle veiligheidsvoorschriften van het betreffende product altijd strikt in acht. VERKEERD GEBUIK of het niet volgen van de veiligheidsinstructies in deze gebruiksaanwijzing kan leiden tot ernstig persoonlijk letsel.

BELANGRIJKE VEILIGHEIDSINSTRUCTIES ENC007-9

VOOR ACCU'S

- Alvorens de accu in gebruik te nemen, leest u eerst alle instructies en waarschuwingsopdrachten op (1) de acculader, (2) de accu en (3) het apparaat waarin de accu wordt aangebracht.
- Haal de accu niet uit elkaar.
- Als de gebruikstijd aanzienlijk korter is geworden, stopt u onmiddellijk met het gebruik. Anders kan

dit leiden tot kans op oververhitting, mogelijke brandwonden en zelfs een explosie.

4. Als de elektrolyt in uw ogen komt, wast u deze uit met schoon water en raadpleegt u onmiddellijk een arts. Dit kan leiden tot verlies van gezichtsvermogen.
5. Sluit de accu niet kort:
 - (1) Raak de accupolen niet aan met enig geleidend materiaal.
 - (2) Bewaar de accu niet op een plaats waar deze in aanraking kan komen met andere metalen voorwerpen, zoals spijkers, munten, enz.
 - (3) Stel de accu niet bloot aan water of regen. Kortsluiting van de accu kan leiden tot een hoge stroomsterkte, oververhitting, mogelijke brandwonden en zelfs een defect.
6. Bewaar het gereedschap en de accu niet op plaatsen waar de temperatuur kan oplopen tot 50 °C of hoger.
7. Werp de accu niet in een vuur, zelfs niet als deze al ernstig beschadigd of helemaal versleten is. De accu kan in een vuur exploderen.
8. Wees voorzichtig dat u de accu niet laat vallen of ergens tegenaan stoot.
9. Gebruik nooit een beschadigde accu.
10. Neem de plaatselijke regelgeving met betrekking tot het weggooiden van de accu in acht.

BEWAAR DEZE INSTRUCTIES.

Tips voor een lange levensduur van de accu

1. Laad de accu op voordat deze volledig leeg is. Wanneer u merkt dat het gereedschap minder vermogen heeft, stopt u met het gebruik ervan en laadt u eerst de accu op.
2. Laad nooit een volledig opgeladen accu op. Te lang opladen verkort de levensduur van de accu.
3. Laad de accu op bij een omgevingstemperatuur van 10 °C tot 40 °C. Laat een warme accu eerst afkoelen voordat u deze oplaadt.
4. Als de accu gedurende een lange tijd (meer dan zes maanden) niet gebruikt, laadt u deze eerst op alvorens deze te gebruiken.

Beschrijving van de onderdelen (zie afb 4)

BESCHRIJVING VAN DE FUNCTIES

⚠ WAARSCHUWING:

- Zorg ervoor dat het gereedschap is uitgeschakeld en dat de accu is verwijderd voordat u de werking van het gereedschap aanpast of controleert. Als het gereedschap niet wordt uitgeschakeld en de accu niet uit het gereedschap wordt verwijderd, kan dat na per ongeluk inschakelen leiden tot ernstig persoonlijk letsel.

De accu aanbrengen en verwijderen (zie afb. 5)

⚠ LET OP:

- Schakel het gereedschap altijd uit voordat u de accu aanbrengt of verwijdert.
- **Houd het gereedschap en de accu stevig vast tijdens het aanbrengen of verwijderen van de accu.** Als u het gereedschap en de accu niet stevig vasthoudt, kunnen deze uit uw handen glijpen en beschadigd raken, of kan persoonlijk letsel worden veroorzaakt.

Om de accu te verwijderen verschuift u de knop aan de voorkant van de accu en schuift u tegelijkertijd de accu eraf.

Om de accu aan te brengen, lijnt u de lip op de accu uit met de groef in de behuizing en duwt u de accu op zijn plaats. Steek de accu zo ver mogelijk erin tot u een klikgeluid hoort. Als u het rode deel aan de bovenkant van de knop kunt zien, is de accu niet goed aangebracht.

⚠ LET OP:

- Breng de accu altijd helemaal aan totdat het rode deel niet meer zichtbaar is. Als u dit niet doet, kan de accu per ongeluk uit het gereedschap vallen en u of anderen in uw omgeving verwonden.
- Breng de accu niet met kracht aan. Als de accu niet gemakkelijk erin kan worden geschoven, wordt deze niet goed aangebracht.

In- en uitschakelen

⚠ WAARSCHUWING:

- **Controleer altijd, voordat u de accu in het gereedschap steekt, of de aan/uit-schakelaar op de juiste manier schakelt en weer terugkeert naar de uit-stand nadat deze is losgelaten. Knijp de aan/uit-schakelaar niet hard in zonder de uit-vergrendeling in te draaien. Hierdoor kan de aan/uit-schakelaar stuk gaan.** Het gebruik van gereedschap met een schakelaar die niet goed werkt, kan leiden tot verlies van controle en ernstige verwondingen (zie afb. 6).

Druk op de aan-uitknop op de behuizing zodat het gereedschap is ingeschakeld en de aan-indicator brandt (zie afb. 7).

Om te voorkomen dat de aan/uit-schakelaar per ongeluk wordt bediend, is een uit-vergrendeling aangebracht.

Om het gereedschap te starten, draait u de uit-vergrendeling en knijpt u vervolgens de aan/uit-schakelaar in. Laat de aan/uit-schakelaar los om het gereedschap te stoppen.

OPMERKING:

- Nadat op de aan-uitknop is gedrukt en het gereedschap één minuut niet is bediend, wordt het gereedschap automatisch uitgeschakeld.

Omkeerschakelaar voor verwijderen van vuil

⚠ WAARSCHUWING:

- **Controleer altijd of het gereedschap is uitgeschakeld en de accu is verwijderd voordat u onkruid of vuil verwijdert dat verstrikt zit rond het snijgarmituur en niet kon worden verwijderd door de omkeerschakelaar te bedienen.** Als het

gereedschap niet wordt uitgeschakeld en de accu niet uit het gereedschap wordt verwijderd, kan dat na per ongeluk inschakelen leiden tot ernstig persoonlijk letsel (zie afb. 8).

Dit gereedschap is uitgerust met een omkeerschakelaar die alleen bedoeld is om de draairichting om te keren zodat dit kan worden gebruikt om onkruid of vuil te verwijderen dat verstrikt zit in het snijgarnituur. Om het gereedschap te bedienen moet normaal gesproken op de "A"-kant van de schakelaar zijn ingedrukt.

Om onkruid of vuil te verwijderen dat verstrikt zit rond het draaiende snijgarnituur, kan de draairichting worden omgekeerd door de "B"-kant van de schakelaar in te drukken. In de stand voor de omgekeerde draairichting zal het gereedschap slechts een korte tijd werken, waarna het gereedschap automatisch wordt uitgeschakeld.

KENNISGEVING:

- Controleer altijd de draairichting alvorens het gereedschap te gebruiken.
- Gebruik de omkeerschakelaar alleen nadat het gereedschap volledig tot stilstand is gekomen. Als u de draairichting verandert voordat het gereedschap volledig stilstaat, kan het gereedschap worden beschadigd.

Snelheidsregelaar (zie afb. 9)

Met behulp van de snelheidsregelaar kan de draaisnelheid van het gereedschap traploos worden ingesteld tussen 3.500 min⁻¹ en 6.000 min⁻¹.

Draai de snelheidsregelaar rechtsom voor een hogere snelheid en linksom voor een lagere snelheid.

Accubeveiligingssysteem (lithiumionaccu met een ster-merkteken) (zie afb. 10)

Lithiumionaccu's met een ster-merkteken zijn uitgerust met een beveiligingssysteem. Dit systeem schakelt automatisch de voeding naar het gereedschap uit om de levensduur van de accu te verlengen.

Het gereedschap zal tijdens gebruik automatisch stoppen wanneer het gereedschap en/of de accu zich in een van de volgende omstandigheden bevinden:

- Overbelasting:
 - Het gereedschap wordt gebruikt op een manier die ertoe leidt dat een abnormaal hoge stroomsterkte uit de accu wordt getrokken.
 - Laat in die situatie de aan/uit-schakelaar van het gereedschap los en stop het gebruik dat ertoe leidde dat het gereedschap overbelast werd. Knijp daarna opnieuw de aan/uit-schakelaar in om het gereedschap weer in te schakelen.
 - Als het gereedschap niet wordt ingeschakeld, is de accu oververhit. In die situatie laat u de accu eerst afkoelen voordat u opnieuw de aan/uit-schakelaar inknijpt.
- Lage accuspanning:
 - De resterende acculading is te laag en het gereedschap wordt niet ingeschakeld. Verwijder in die situatie de accu en laad hem op.

Indicatorlampjes (zie afb. 11)

Wanneer het beveiligingssysteem tijdens gebruik in werking treedt, gaan de lampjes branden.

Raadpleeg onderstaande tabel voor de toestand van de accu en het gereedschap, alsmede de te nemen maatregelen voor iedere status van het bedrijfslampje.

Aan-indicator	Accu-indicator	Toestand	Te nemen maatregelen
/	Knippert	De acculading is bijna opgebruikt.	Vervang de accu door een volledig opgeladen accu.
/	Brandt	De accubeschermer schakelt de stroom uit - de acculading is volledig opgebruikt.	Vervang de accu door een volledig opgeladen accu.
Knippert	/	De oververhittingsbeveiliging schakelt de stroom uit - oververhitting.	Laat het gereedschap enige tijd ongebruikt liggen en afkoelen.

013900

Aanduiding van de resterende acculading

(Alleen voor accu's met een "B" aan het einde van het modelnummer.) (zie **afb. 12**)

Druk op de testknop op de accu om de resterende accucapaciteit af te lezen. De indicatorlampjes branden gedurende enkele seconden.

Indicatorlampjes			Resterende acculading
Brandt	Uit	Knippert	
			75% tot 100%
			50% tot 75%
			25% tot 50%
			0% tot 25%
			Laad de accu op.
			Er kan een storing in de accu zijn opgetreden.

015658

OPMERKING:

- Afhankelijk van de gebruiksomstandigheden en de omgevingstemperatuur, is het mogelijk dat de aangegeven acculading verschilt van de werkelijke acculading.

Nylondraad-snijkop

KENNISGEVING:

- Probeer niet de snijkop op de grond te stoten om nylondraad aan te voeren terwijl het gereedschap op een hoog toerental draait. Als het gereedschap bij een hoog toerental op de grond wordt gestoten, kan de nylondraad-snijkop worden beschadigd.
- Het aanvoeren van nylondraad zal niet goed werken wanneer de snijkop niet draait (**zie afb. 13**).

De nylondraad-snijkop is een dubbele grastrimmerkop uitgerust met een stoot-aanvoermecanisme.

Om ervoor te zorgen dat de nylondraad aangevoerd wordt, moet de snijkop op de grond gestoten worden terwijl deze op een laag toerental draait.

OPMERKING:

Als de nylon draad niet automatisch wordt aangevoerd wanneer de snijkop op de grond wordt gestoten, volgt u de procedures die zijn beschreven onder "Onderhoud" om de nylondraad opnieuw op te wikkelen of te vervangen.

ONDERDELEN AANBRENGEN EN VERWIJDEREN

WAARSCHUWING:

- Controleer altijd of het gereedschap is uitgeschakeld en de accu is verwijderd alvorens enige werkzaamheden aan het gereedschap te verrichten.** Als het gereedschap niet wordt uitgeschakeld en de accu niet uit het gereedschap wordt verwijderd, kan dat na per ongeluk inschakelen leiden tot ernstig persoonlijk letsel.
- Start het gereedschap nooit voordat het op de juiste wijze is gemonteerd.** Door het gereedschap in een gedeeltelijk gemonteerde toestand te laten werken, kan dat na per ongeluk inschakelen leiden tot ernstig persoonlijk letsel.

De hulpstukbuis bevestigen

Alleen voor model DUR183L (zie **afb. 14**)

Het hulpstuk aan een aandrijfsysteem bevestigen:

- Zorg ervoor dat de hendel niet omlaag staat.
- Om de ingang van de aansluiting te openen, drukt u de aansluitingafdekking omlaag (**zie afb. 15**).
- Lijn het uitsteeksel op de buis (kant van het snijgarmituur) uit met de holvormige opening in de aansluiting.
- Steek de buis van het hulpstuk in de aansluiting. Zorg ervoor dat het oppervlak van de vergrendelhendel horizontaal is met de buis.
- Zet de hendel stevig omlaag, zoals afgebeeld.

Om het hulpstuk te verwijderen, zet u de hendel omhoog, drukt u op het voorste deel van de vergrendelhendel en schuift u vervolgens de buis eruit.

De handgreep aanbrengen (zie **afb. 16**)

Monteer de handgreep op de pijpas en zet hem vast met twee inbusbouten. Zorg ervoor dat de afstandshouder zich op de pijpas bevindt tussen de voorhandgreep en de achterhandgreep. Verwijder of verkort de afstandshouder niet.

LET OP:

- Bij model DUR183L mag de handgreep nooit op de aansluiting worden aangebracht.

De beschermkap aanbrengen

WAARSCHUWING:

- **Gebruik het gereedschap nooit zonder dat de beschermkap is aangebracht, zoals aangegeven in de afbeelding.** Als u zich hier niet aan houdt, kan ernstig persoonlijk letsel worden veroorzaakt (zie **afb. 17 en 18**).

Lijn de uitsteeksels op de beschermkap uit met de groeven in het motorhuis (zie **afb. 19**).

Lijn de uitsteeksels op de beschermkaphouder uit met de holvormige openingen in het motorhuis. Steek de beschermkaphouder op het motorhuis (zie **afb. 20**).

Nadat de beschermkap en de beschermkaphouder op het motorhuis zijn bevestigd, draait u de inbusbouten stevig vast.

De beschermbeugel aanbrengen

LET OP:

- Wacht totdat de snijkop volledig tot stilstand is gekomen voordat u de beschermbeugel bedient. Bedien de beschermbeugel niet met uw voet (zie **afb. 21**).

Om de kans te verkleinen dat u voorwerpen aan de voorkant van de snijkop beschadigt, plaatst u de beschermbeugel zodat deze voorkomt dat de nylondraad het voorwerp kan raken (zie **afb. 22**).

Trek de uiteinden van de beschermbeugel iets naar buiten en steek ze daarna in de gaten in de beschermkap.

OPMERKING:

- Trek de uiteinden van de beschermbeugel niet te ver naar buiten. Als u dit doet, kunnen ze afbreken (zie **afb. 23**).

Als de beschermbeugel niet in gebruik is, klapt u hem omhoog in de ongebruikte stand.

De nylondraad-snijkop aanbrengen

KENNISGEVING:

- Gebruik altijd een originele nylondraad-snijkop van Makita.

Draai het gereedschap ondersteboven zodat u de nylondraad-snijkop gemakkelijk kunt vervangen (zie **afb. 24**).

Steek de inbusleutel in het gat in de beschermkaphouder en het motorhuis en draai met de inbusleutel de ontvangerring tot deze wordt vergrendeld. Breng de metalen bescherming en vervolgens de nylondraad-snijkop rechtstreeks aan op de as met schroefdraad en bevestig hem door hem linksom te draaien. Haal de inbusleutel eruit.

Om de nylondraad-snijkop te verwijderen, houdt u met de inbusleutel de ontvangerring op zijn plaats en draait u tegelijkertijd de nylondraad-snijkop rechtsom.

LET OP:

- **Als tijdens gebruik de nylondraad-snijkop per ongeluk een steen of hard voorwerp raakt, moet de trimmer worden gestopt en op beschadigingen worden gecontroleerd. Als de nylondraad-snijkop**

beschadigd is, moet deze onmiddellijk worden vervangen. Het gebruik van een beschadigde nylondraad-snijkop kan leiden tot ernstig persoonlijk letsel.

BEDIENING

Correct omgaan met het gereedschap

Bevestiging van het schouderdraagstel (zie **afb. 25**)

Trek het schouderdraagstel aan. Klik daarna de gespen aan de kant van de haak en het schouderdraagstel in elkaar. Controleer dat de gespen volledig op hun plaats klikken en vergrendelen.

Alleen voor model DUR183L (zie **afb. 26**)

Wanneer de dop niet wordt gebruikt, hangt u hem aan de haak.

Losmaken (zie **afb. 27**)

De gesp is voorzien van een snelontgrendelingsmethode. Knijp eenvoudigweg de zijkant van de gesp in om het gereedschap los te maken.

WAARSCHUWING:

- **Let er goed op dat u te allen tijde de controle over het gereedschap behoudt. Zorg ervoor dat het gereedschap zich niet in uw richting of in de richting van iemand die in de buurt staat beweegt.** Als u de controle over het gereedschap verliest, kan dat leiden tot ernstig letsel van de gebruiker en omstanders.

De positie van het bevestigingssoog en het schouderdraagstel veranderen (zie **afb. 28**)

Om de positie van het bevestigingssoog te veranderen, draait u de inbusbout van het bevestigingssoog los met behulp van de bijgeleverde sleutel. Verplaats daarna het bevestigingssoog.

Nadat de positie van het bevestigingssoog is veranderd, draait u de inbusbout stevig vast met behulp van de sleutel.

ONDERHOUD

WAARSCHUWING:

- **Zorg er altijd voor dat het gereedschap is uitgeschakeld en de accu is verwijderd, voordat u een inspectie of onderhoud aan het gereedschap uitvoert.** Als het gereedschap niet wordt uitgeschakeld en de accu niet uit het gereedschap wordt verwijderd, kan dat na per ongeluk inschakelen leiden tot ernstig persoonlijk letsel.

KENNISGEVING:

Gebruik nooit benzine, wasbenzine, thinner, alcohol, enz. Dit kan leiden tot verkleuren, vervormen of barsten.

De nylondraad vervangen

WAARSCHUWING:

- **Controleer of het deksel van de nylondraad-snijkop goed op de behuizing is bevestigd, zoals hieronder beschreven.** Als u het deksel niet stevig bevestigt, kan de nylondraad-snijkop uit elkaar vliegen en ernstig persoonlijk letsel veroorzaken (zie **afb. 29**).

Druk de twee vergrendelingen op tegenovergestelde zijden van de behuizing in om het deksel eraf te halen (**zie afb. 30**).

Snijd een nylondraad af van 3 tot 6 meter. Vouw de nylondraad dubbel waarbij de ene kant 80 tot 100 mm langer is dan de andere (**zie afb. 31**).

Haak het midden van de nieuwe nylondraad in de inkeping in het midden van de draadspoel tussen de 2 kanalen waarin de nylondraad moet worden opgewikkeld.

Wikkel beide uiteinden stevig op de draadspoel in de richting aangegeven op de snijkop met LH voor linkerwikkeldrichting (**zie afb. 32**).

Wikkel op 100 mm na de volledige lengte van de nylondraad op de draadspoel, en haak de uiteinden tijdelijk in de inkeping in de zijkant van de draadspoel (**zie afb. 33**).

Plaats de draadspoel op het deksel zodat de groeven en uitsteeksels op de spoel overeenkomen met die op het deksel. Maak nu de uiteinden van de nylondraad los uit hun tijdelijke positie en voer de nylonraden door de oogjes zodat ze uit het deksel steken (**zie afb. 34**).

Lijn het uitsteeksel op de onderkant van het deksel uit met de sleuven naar de oogjes. Druk daarna het deksel stevig op de behuizing zodat hij wordt vergrendeld. Controleer of de vergrendelknoppen zich volledig spreiden in het deksel. Om de VEILIGHEID en BETROUWBAARHEID van het gereedschap te handhaven, dienen alle reparaties, onderhoud en afstellingen te worden uitgevoerd door een erkend Makita-servicecentrum, en altijd met gebruikmaking van originele Makita-ervangingsonderdelen.

PROBLEMEN OPLOSSEN

Alvorens om reparatie te verzoeken, voert u eerst zelf een inspectie uit. Als u een probleem ondervindt dat niet in deze handleiding wordt beschreven, mag u niet proberen het gereedschap uit elkaar te halen. Vraag in plaats daarvan een erkend Makita-servicecentrum, en altijd met gebruikmaking van originele Makita-ervangingsonderdelen, het gereedschap te repareren.

Toestand tijdens defect	Oorzaak	Handeling
Motor loopt niet.	De accu is niet aangebracht.	Breng de accu aan.
	Probleem met de accu (lage spanning)	Laad de accu op. Als het opladen niet helpt, vervangt u de accu.
	De aandrijving werkt niet goed.	Vraag uw plaatselijk erkende servicecentrum het gereedschap te repareren.
De motor stopt na kort te hebben gedraaid.	De draairichting is omgekeerd.	Verander de draairichting met de omkeerschakelaar.
	De accu is bijna leeg.	Laad de accu op. Als het opladen niet helpt, vervangt u de accu.
	Oververhitting.	Stop het gebruik van het gereedschap en laat het afkoelen.
Het gereedschap bereikt het maximale toerental niet.	De accu is niet goed aangebracht.	Breng de accu aan zoals beschreven in deze gebruiksaanwijzing.
	Het accuvermogen neemt af.	Laad de accu op. Als het opladen niet helpt, vervangt u de accu.
	De aandrijving werkt niet goed.	Vraag uw plaatselijk erkende servicecentrum het gereedschap te repareren.
Het snijgarnituur draait niet: stop het gereedschap onmiddellijk!	Een vreemd voorwerp, zoals een tak, zit vastgeklemd tussen de beschermkap en de nylondraad-snijkop.	Verwijder het vreemde voorwerp.
	De aandrijving werkt niet goed.	Vraag uw plaatselijk erkende servicecentrum het gereedschap te repareren.
Abnormale trillingen: stop het gereedschap onmiddellijk!	Eén uiteinde van de nylondraad is afgebroken.	Stoot de nylondraad-snijkop tegen de grond terwijl deze draait zodat nieuwe nylondraad wordt aangevoerd.
	De aandrijving werkt niet goed.	Vraag uw plaatselijk erkende servicecentrum het gereedschap te repareren.
Het snijgarnituur en de motor kunnen niet stoppen: verwijder de accu onmiddellijk!	Elektrische of elektronische storing.	Verwijder de accu en vraag uw plaatselijk erkende servicecentrum het gereedschap te repareren.

010856

VERKRIJGBARE ACCESSOIRES

LET OP:

- Deze accessoires of hulpstukken worden aanbevolen voor gebruik met het Makita-gereedschap dat in deze gebruiksaanwijzing wordt beschreven. Het gebruik van andere accessoires of hulpstukken kan gevaar voor persoonlijk letsel opleveren. Gebruik de accessoires of hulpstukken uitsluitend voor de aangegeven gebruiksdoeleinden.

Mocht u meer informatie willen hebben over deze accessoires, dan kunt u contact opnemen met uw plaatselijke Makita-servicecentrum.

- Nylondraad-snijkop
- Nylondraad (snijdraad)
- Schouderdraagstel
- Inbussleutel
- Originele Makita-accu en -lader

OPMERKING:

- Sommige items op de lijst kunnen zijn inbegrepen in de doos van het gereedschap als standaard toebehoren. Zij kunnen van land tot land verschillen.

ESPAÑOL (Instrucciones originales)

Explicación de los dibujos

- | | | |
|---|---|-------------------------------------|
| 1. Cartucho de la batería | 19. Posición B seleccionada para la eliminación de malas hierbas y residuos | 35. Lado de la herramienta de corte |
| 2. Dial de regulación de velocidad | 20. Marca de estrella | 36. Separador |
| 3. Luz indicadora | 21. Indicador de batería | 37. Ranuras |
| 4. Botón de encendido | 22. Luces indicadoras | 38. Protector |
| 5. Palanca de bloqueo | 23. Botón de comprobación | 39. Partes cóncavas |
| 6. Gancho (punto de suspensión) | 24. Área de corte más eficaz | 40. Soporte del protector |
| 7. Empuñadura | 25. Articulación | 41. Salientes |
| 8. Interruptor disparador | 26. Palanca de bloqueo | 42. Orificios |
| 9. Protector | 27. Cubierta de la articulación | 43. Cabezal de corte de nylon |
| 10. Protector de alambre | 28. Palanca | 44. Protector metálico |
| 11. Herramienta de corte | 29. Tubo (lado de la herramienta de corte) | 45. Arandela de apoyo |
| 12. Arnés de hombro | 30. Parte cóncava | 46. Llave hexagonal |
| 13. Tapa | 31. Saliente | 47. Hebilla |
| 14. Indicador rojo | 32. Pernos hexagonales | 48. Gancho |
| 15. Botón | 33. Cubierta | 49. Perno hexagonal |
| 16. Indicador de encendido | 34. Abrazaderas | 50. 80-100 mm |
| 17. Interruptor de inversión | | |
| 18. Posición A seleccionada para el funcionamiento normal | | |

ESPECIFICACIONES

Modelo	DUR142L	DUR182L	DUR183L
Tipo de tubo	Tubo integrado		Tubo divisible
Velocidad en vacío	3.500 - 6.000 min ⁻¹		
Longitud total con el cabezal de corte de nylon	1.843 mm		
Longitud de división	—	982 mm	
Diámetro de corte con el cabezal de corte de nylon	300 mm		
Peso neto (con BL1430 o BL1830)	3,8 kg	3,9 kg	4,1 kg
Tensión nominal	CC 14,4 V	CC 18 V	
Cargador y cartucho de la batería estándar ⚠ Mantenga siempre las combinaciones de batería/cargador en las columnas de la derecha.	BL1415N, BL1430, BL1440, BL1450/DC18RC	BL1815N, BL1820, BL1820B, BL1830, BL1840, BL1840B, BL1850, BL1850B/DC18RC	

- Debido a nuestro programa continuo de investigación y desarrollo, las especificaciones aquí descritas están sujetas a cambios sin previo aviso.
- Las especificaciones y el cartucho de la batería pueden variar de un país a otro.
- Peso, con el cartucho de la batería, de acuerdo con el procedimiento EPTA 01/2003

Ruido	Nivel de presión sonora		Directiva o estándar aplicable	
	Modelo	L _{PA} (dB (A))		Incertidumbre K (dB (A))
	DUR142L	78	1,0	2000/14/CE
	DUR182L/DUR183L	79	0,7	

- Aunque el nivel de presión de sonido enumerado arriba sea 80 dB (A) o inferior, el nivel en funcionamiento puede superar los 80 dB (A). Utilice protección para los oídos.

Vibración	Empuñadura frontal		Empuñadura trasera		Directiva o estándar aplicable	
	Modelo	a _h (m/s ²)	Incertidumbre K (m/s ²)	a _h (m/s ²)		Incertidumbre K (m/s ²)
	DUR142L	≤ 2,5	1,5	≤ 2,5	1,5	EN786
	DUR182L/DUR183L	≤ 2,5	1,5	≤ 2,5	1,5	

- El valor de emisión de vibraciones se ha medido de acuerdo con el método de prueba estándar y se puede utilizar para comparar herramientas.
- El valor de emisión de vibraciones declarado también se puede usar en una evaluación preliminar de la exposición.














⚠ ADVERTENCIA:

- La emisión de vibraciones durante el uso de la herramienta eléctrica puede diferir del valor de emisiones declarado, dependiendo de las formas en que se utiliza la herramienta.
- Asegúrese de identificar las mediciones correctas para proteger al operario, que se basan en una estimación de la exposición en condiciones de uso reales (teniendo en cuenta todas las partes del ciclo de operaciones, como los momentos en los que la herramienta está apagada y cuando funciona al ralentí además del tiempo en que está activado el interruptor).

Símbolos

END020-3

Se utilizan los siguientes símbolos para el equipo. Asegúrese de que comprende su significado antes del uso.

-  Preste especial cuidado y atención.
-  Lea el manual de instrucciones.
-  Peligro; esté atento a los objetos que salgan despedidos.
-  La distancia entre la herramienta y las personas circundantes debe ser de 15 m como mínimo.
-  Mantenga alejadas a las personas circundantes.
-  Mantenga una distancia de 15 m como mínimo.
-  Lleve casco y protección para los ojos y oídos.
-  Utilice guantes de protección.
-  Utilice botas robustas con suela antideslizante. Se recomienda utilizar botas de seguridad con puntera de acero.
-  No la exponga a la lluvia.
-  Máxima velocidad permitida de la herramienta.
-  Nunca utilice una cuchilla de metal.
-  Sólo para países de la Unión Europea
¡No deseche el aparato eléctrico o la

batería junto con los residuos domésticos!
De conformidad con la Directiva Europea sobre residuos de aparatos eléctricos y electrónicos, y sobre baterías y acumuladores y el desecho de baterías y acumuladores y su aplicación de acuerdo con la legislación nacional, la herramienta eléctrica y las baterías y paquetes de baterías cuya vida útil haya llegado a su fin se deberán recoger por separado y trasladar a una planta de reciclaje que cumpla con las exigencias ecológicas.

Solo para países europeos

ENH219-3

Declaración de conformidad de la CE

Makita declara que las siguientes máquinas:

Designación de la máquina:
Cortador Inalámbrico de Pasto
Nº de modelo/ Tipo: DUR142L, DUR182L, DUR183L
Especificaciones: consulte la tabla "ESPECIFICACIONES".

Cumplen con las siguientes Directivas europeas:

2000/14/CE, 2006/42/CE

Se han fabricado de acuerdo con los siguientes estándares o documentos estandarizados:

EN60335

El archivo técnico de acuerdo con 2006/42/CE está disponible en:

Makita, Jan-Baptist Vinkstraat 2, 3070, Bélgica

El procedimiento de evaluación de conformidad requerido por la Directiva 2000/14/CE se realizó de acuerdo con el anexo VI.

Organismo notificado:

TÜV Rheinland LGA Products GmbH
Tillystraße 2
90431 Nürnberg, Alemania
Número de identificación 0197

Modelo DUR142L

Nivel de potencia sonora medido: 89 dB (A)

Nivel de potencia sonora garantizado: 90 dB (A)

Modelo DUR182L, DUR183L

Nivel de potencia sonora medido: 90 dB (A)

Nivel de potencia sonora garantizado: 90 dB (A)

31. 12. 2013



Yasushi Fukaya
Director

Makita, Jan-Baptist Vinkstraat 2, 3070, Bélgica

INSTRUCCIONES DE SEGURIDAD IMPORTANTES

GEB109-3

⚠ ¡ADVERTENCIA! Lea todas las advertencias de seguridad y todas las instrucciones. La no observancia de las advertencias y las instrucciones puede provocar descargas eléctricas, incendios y/o lesiones graves.

Guarde todas las advertencias e instrucciones para futuras consultas.

1. Familiarícese con los controles y el uso correcto del equipo.
2. Los elementos de corte siguen girando después de apagar el motor.
3. Nunca deje que los niños o personas que no estén familiarizadas con las instrucciones utilicen la máquina.
4. Deje de utilizar la máquina mientras haya cerca personas, especialmente niños, o animales.
5. Utilice la máquina solamente con luz diurna o con buena luz artificial.
6. Antes de utilizar la máquina y tras cualquier impacto, compruebe si hay señales de desgaste o daños y realice las reparaciones necesarias.
7. Tenga cuidado con las lesiones al ajustar la longitud de la línea de corte. Tras extender la nueva línea de corte, devuelva siempre la máquina a su posición de funcionamiento normal antes de encenderla.
8. Nunca monte elementos de corte de metal.
9. Este aparato no se ha diseñado para ser utilizado por personas (incluyendo niños) con capacidades mentales, sensoriales o físicas reducidas o con falta de experiencia y conocimientos, a menos que esas personas estén supervisadas o hayan recibido instrucciones de uso del aparato de una persona responsable de su seguridad. Se debe supervisar a los niños para asegurarse de que no juegan con el aparato.
10. Utilice la herramienta con el máximo cuidado y la máxima atención.
11. Utilice la herramienta solamente si se encuentra en buen estado físico. Realice todo el trabajo con calma y con cuidado. Use el sentido común y tenga en cuenta que el operario o el usuario es responsable de los accidentes o situaciones de peligro que se produzcan para otras personas o su propiedad.
12. Nunca utilice la herramienta cuando esté cansado, cuando se sienta indispuesto o cuando esté bajo la influencia del alcohol o medicamentos.
13. La herramienta debe apagarse inmediatamente si muestra síntomas de funcionamiento anómalo.

Uso previsto de la herramienta

1. Utilice la herramienta adecuada. El cortador inalámbrico de pasto se ha diseñado solamente para cortar pasto y malas hierbas. No se debe utilizar con ninguna otra finalidad, como cortado de setos, ya que se podrían causar lesiones.

Equipo de protección personal (Fig. 1 y 2)

1. Use la indumentaria apropiada. Debe llevarse ropa funcional y apropiada, es decir, debe ser ajustada pero sin que sea incómoda. No lleve joyas ni

prendas que puedan engancharse en el pasto alto. Lleve protección para el cabello para sujetar el cabello largo.

2. Cuando utilice la herramienta, utilice siempre zapatos robustos con una suela que no resbale. De esta manera se protegerá contra lesiones y se asegurará de que los pies estén en una posición firme.
3. Utilice siempre gafas de seguridad.

Seguridad eléctrica y de la batería

1. Evite entornos peligrosos. No utilice la herramienta en ubicaciones mojadas o húmedas ni la exponga a la lluvia. Si entra agua en la herramienta, aumenta el riesgo de sufrir una descarga eléctrica.
2. Recárguela solamente con el cargador especificado por el fabricante. Un cargador que es adecuado para un tipo de batería puede crear un riesgo de incendio cuando se usa con otra batería.
3. Utilice las herramientas eléctricas solamente con los paquetes de batería designados. El uso de cualquier otra batería puede crear un riesgo de lesiones e incendio.
4. Cuando no se utilice la batería, manténgala alejada de otros objetos metálicos, como clips de papel, monedas, llaves, clavos, tornillos u otros objetos metálicos pequeños que puedan establecer una conexión entre los terminales. El cortocircuito de los terminales de la batería puede provocar quemaduras o un incendio.
5. Si no se utiliza correctamente, la batería puede expulsar líquido; evite cualquier contacto con dicho líquido. Si se produce un contacto accidental, enjuague con agua. Si el líquido entra en contacto con los ojos, solicite ayuda médica. El líquido expulsado de la batería puede provocar irritaciones o quemaduras.
6. No deseches las baterías en un fuego. Pueden explotar. Consulte en las normativas locales las posibles instrucciones de desecho.
7. No abra ni mutile las baterías. El electrolito que se desprende es corrosivo y puede causar daños a los ojos o la piel. Puede ser tóxico si se ingiere.

Puesta en marcha de la herramienta (Fig. 3)

1. Asegúrese de que no haya niños y otras personas en un área de trabajo de 15 metros (50 pies) y preste atención también a cualquier animal que pueda estar cerca del lugar de trabajo. De lo contrario, deje de usar la herramienta.
2. Antes del uso, compruebe que la herramienta permita realizar las operaciones con seguridad. Compruebe la seguridad de la herramienta de corte y el protector y que el interruptor disparador o la palanca funcionen correctamente y se accionen fácilmente. Compruebe que los asideros estén limpios y secos y pruebe la función de arranque/parada.
3. Compruebe si hay partes dañadas antes de utilizar la herramienta. Si un protector o cualquier otra parte de la herramienta se ha dañado, debe inspeccionarse con detenimiento para determinar si funcionará correctamente y si cumplirá con su finalidad. Compruebe la alineación de las partes

- móviles, el libre movimiento de las partes móviles, la rotura de piezas, el montaje y cualquier otra condición que pueda afectar a su funcionamiento. Los protectores, o cualquier otra pieza que esté dañada, deben repararse correctamente en nuestro centro de reparaciones autorizado a menos que se indique lo contrario en este manual.
4. Ponga en marcha el motor solamente cuando los pies y las manos estén alejados de la herramienta de corte.
 5. Antes de la puesta en marcha, asegúrese de que la herramienta de corte no esté en contacto con objetos duros tales como ramas, piedras, etc. ya que la herramienta de corte girará al poner en marcha la máquina.

Método de trabajo

1. Nunca utilice la máquina con los protectores dañados o sin utilizar protectores.
2. Utilice la herramienta únicamente con buenas condiciones de iluminación y visibilidad. Durante el invierno tenga cuidado con las áreas húmedas o resbaladizas, hielo y nieve (riesgo de resbalar). Asegúrese siempre de que sus pies se encuentran en una posición segura.
3. Protéjase de las lesiones en los pies y las manos causadas por la herramienta de corte.
4. Mantenga las manos y los pies alejados de los dispositivos de corte en todo momento y especialmente al encender el motor.
5. No corte nunca por encima de la altura de la cintura.
6. No se suba nunca a una escalera mientras utilice la herramienta.
7. No trabaje nunca en superficies inestables.
8. No intente abarcar demasiada distancia. Mantenga la postura adecuada y el equilibrio en todo momento.
9. Elimine la arena, piedras, clavos, etc. que se encuentren en el área de trabajo. Las partículas extrañas pueden dañar la herramienta de corte y pueden salir despedidas, lo que puede provocar lesiones graves.
10. Si la herramienta de corte golpea piedras u otros objetos duros, apague el motor inmediatamente e inspecciónela.
11. Antes de comenzar a cortar, la herramienta de corte debe alcanzar la velocidad de trabajo completa.
12. Durante las operaciones, sujete siempre la herramienta con ambas manos. Nunca sujete la herramienta con una mano durante el uso. Asegúrese siempre de que sus pies se encuentran en una posición segura.
13. Todo el equipo de protección, como los protectores suministrados con la herramienta, debe utilizarse durante el funcionamiento.
14. Excepto en caso de emergencia, nunca deje caer ni lance la herramienta hacia el suelo, ya que esta se puede dañar gravemente.
15. Nunca arrastre la herramienta por el suelo cuando la desplace de un lugar a otro, ya que se puede dañar si se mueve de esta manera.
16. Extraiga siempre el cartucho de la batería de la herramienta:

- cuando deje la herramienta desatendida;
 - antes de despejar un atasco;
 - antes de comprobar, limpiar o trabajar en la herramienta;
 - antes de realizar un ajuste, cambiar accesorios o guardarla;
 - cuando la herramienta empiece a vibrar de forma anómala;
 - cuando transporte la herramienta.
17. No fuerce la herramienta. Realizará el trabajo mejor y con menos probabilidad de un riesgo de lesiones a la velocidad para la que se diseñó.

Instrucciones de mantenimiento

1. Antes de iniciar el trabajo se debe comprobar el estado de la herramienta de corte, los dispositivos protectores y la correa de hombro.
2. Apague el motor y extraiga el cartucho de la batería antes de realizar tareas de mantenimiento, sustituir la herramienta de corte o limpiar la herramienta.
3. Tras su uso, desconecte el cartucho de la batería de la herramienta y compruebe si existen daños.
4. Compruebe si hay elementos de sujeción sueltos y partes dañadas, como una herramienta de corte casi medio gastada.
5. Cuando no utilice la herramienta, almacénela en una ubicación seca que esté cerrada con llave o lejos del alcance de los niños.
6. Utilice solamente accesorios y piezas de recambio recomendados por el fabricante.
7. Asegúrese siempre de que las aberturas de ventilación estén libres de residuos.
8. Inspeccione la herramienta y realice las tareas de mantenimiento regularmente, especialmente antes/después del uso. Haga que la herramienta se repare solamente en un centro de servicio autorizado.
9. Mantenga los asideros secos, limpios y libres de aceite y grasa.

GUARDE ESTAS INSTRUCCIONES.

ADVERTENCIA:

NO deje que la comodidad o la familiaridad con el producto (a base de utilizarlo repetidamente) sustituya la estricta observancia de las normas de seguridad del producto en cuestión. El MAL USO o la no observancia de las normas de seguridad expuestas en este manual de instrucciones pueden ocasionar graves daños corporales.

INSTRUCCIONES DE SEGURIDAD IMPORTANTES

ENC007-9

PARA EL CARTUCHO DE LA BATERÍA

1. Antes de utilizar el cartucho de la batería, lea todas las instrucciones y referencias de precaución que se encuentran en (1) el cargador de baterías, (2) la batería y (3) el producto que utiliza la batería.

2. **No desmonte el cartucho de la batería.**
3. **Si el tiempo de funcionamiento es excesivamente corto, deje de utilizar la herramienta de inmediato. De lo contrario, existe el riesgo de sobrecalentamiento, quemaduras e incluso explosión.**
4. **Si se produce contacto ocular con electrolito, enjuáguese los ojos con agua limpia y acuda de urgencia al médico. Corre el riesgo de perder la visión.**
5. **No cortocircuite el cartucho de la batería:**
 - (1) **No toque los terminales con material conductor.**
 - (2) **Evite guardar el cartucho de la batería en un recipiente con otros objetos metálicos, como clavos, monedas, etc.**
 - (3) **No esponga el cartucho de la batería al agua o a la lluvia.**

Un cortocircuito puede provocar un elevado flujo de corriente, sobrecalentamiento, quemaduras o incluso una avería.
6. **No almacene la herramienta ni el cartucho de la batería en lugares donde la temperatura supere los 50 °C (122 °F).**
7. **No queme el cartucho de la batería aunque esté gravemente dañado o completamente gastado. El cartucho de la batería puede explotar si entra en contacto con fuego.**
8. **Procure que la batería no sufra golpes ni caídas.**
9. **No utilice una batería dañada.**
10. **Siga las normativas locales relativas al desecho de la batería.**

GUARDE ESTAS INSTRUCCIONES.

Consejos para conseguir una mayor duración de la batería

1. **Cargue la batería antes de que se descargue por completo.**
Cuando observe que la herramienta tiene menos potencia, deje de utilizarla y cargue el cartucho de la batería.
2. **No recargue nunca un cartucho de batería completamente cargado.**
La sobrecarga acorta la vida útil de la batería.
3. **Cargue el cartucho de la batería a una temperatura ambiente que oscile entre 10 °C y 40 °C (50 °F - 104 °F). Antes de cargar un cartucho de batería caliente, deje que se enfríe.**
4. **Cargue el cartucho de la batería si no lo ha utilizado durante un periodo prolongado (más de seis meses).**

Descripción de las piezas (Fig. 4)

DESCRIPCIÓN DEL FUNCIONAMIENTO

⚠ ADVERTENCIA:

- **Antes de ajustar o de comprobar la herramienta, asegúrese siempre de que está apagada y de que la batería ha sido extraída.** Si la herramienta no se

apaga o el cartucho de la batería no se extrae de la herramienta, pueden producirse lesiones personales graves en el caso de una puesta en marcha accidental.

Instalación o extracción del cartucho de la batería (Fig. 5)

⚠ PRECAUCIÓN:

- **Apague siempre la herramienta antes de instalar o extraer el cartucho de la batería.**
- **Sujete la herramienta y el cartucho de la batería firmemente cuando instale o extraiga el cartucho de la batería.** Si no sujeta la herramienta y el cartucho de la batería firmemente, pueden resbalar de sus manos y pueden producirse daños en la herramienta o el cartucho de la batería, así como lesiones personales.

Para quitar el cartucho de la batería, mantenga pulsado el botón de la parte frontal del cartucho y retírelo.

Para instalar el cartucho de la batería, alinee la lengüeta situada en el cartucho de la batería con la ranura del chasis e insértela. Insértelo completamente hasta que quede firmemente encajado con un clic. Si puede ver el indicador rojo de la zona superior del botón, significa que el cartucho no está encajado completamente.

⚠ PRECAUCIÓN:

- **Instale siempre completamente el cartucho de la batería de forma que el indicador rojo quede oculto.** De lo contrario, el cartucho puede desprenderse accidentalmente de la herramienta y causar lesiones al operario o a alguna persona que se encuentre cerca.
- **No presione excesivamente el cartucho de la batería para instalarlo.** Si el cartucho no entra con suavidad, significa que no lo está instalando correctamente.

Accionamiento del interruptor de encendido

⚠ ADVERTENCIA:

- **Antes de insertar el cartucho de la batería en la herramienta, asegúrese siempre de que el interruptor disparador funciona como es debido y que vuelve a la posición "OFF" (apagado) al soltarlo. No tire con fuerza del interruptor disparador sin girar la palanca de bloqueo. Podría romper el interruptor.** La utilización de una herramienta con un interruptor que no funciona correctamente puede provocar la pérdida del control y graves lesiones personales. (Fig. 6)

Presione el botón de encendido del chasis para que la herramienta se encienda y se ilumine el indicador de encendido. (Fig. 7)

Para evitar que el interruptor disparador se accione accidentalmente se proporciona una palanca de bloqueo. Para poner en marcha la herramienta, gire la palanca de bloqueo y después tire del disparador del interruptor. Suelte el interruptor disparador para detener la herramienta.

NOTA:

- Cuando se ha presionado el botón de encendido y se deja la herramienta un minuto sin realizar ninguna operación, la herramienta se apaga automáticamente.

Interruptor de inversión para la eliminación de residuos

⚠ ADVERTENCIA:

- **Asegúrese siempre de que la herramienta esté apagada y de que se haya extraído el cartucho de la batería antes de extraer malas hierbas o residuos enredados en la herramienta y que no se pudieran eliminar utilizando la herramienta en modo inverso.** Si la herramienta no se apaga o el cartucho de la batería no se extrae de la herramienta, pueden producirse lesiones personales graves en el caso de una puesta en marcha accidental. (Fig. 8)

Esta herramienta cuenta con un interruptor de inversión que solamente se proporciona para cambiar la dirección de giro y así eliminar las malas hierbas y residuos que se hayan enredado en la herramienta. Para utilizar la herramienta normalmente, el lado "A" del interruptor debe estar pulsado.

Para eliminar malas hierbas y residuos que se han atascado en el cabezal de giro, se puede invertir la herramienta pulsando el lado "B" del interruptor. En la posición inversa, la herramienta solamente funcionará durante un período de tiempo breve y se apagará automáticamente.

AVISO:

- Antes de trabajar, compruebe siempre la dirección del giro.
- Utilice el interruptor de inversión sólo cuando la herramienta se haya detenido por completo. De lo contrario, la herramienta podría averiarse.

Dial de regulación de velocidad (Fig. 9)

La velocidad de la herramienta se puede ajustar en cualquier valor entre 3.500 min⁻¹ y 6.000 min⁻¹ con el dial de regulación de velocidad.

Para aumentar la velocidad, gire el dial en el sentido de las agujas del reloj; para reducirla, gírelo en el sentido contrario.

Sistema de protección de la batería (batería de iones de litio con una marca de estrella) (Fig. 10)



Las baterías de iones de litio con una marca de estrella están equipadas con un sistema de protección. Este sistema corta automáticamente la alimentación a la herramienta para ampliar la duración de la batería.

El funcionamiento de la herramienta se detendrá automáticamente si la herramienta y/o la batería están sometidas a las siguientes condiciones:

- **Sobrecarga:**
La herramienta se utiliza de una forma que hace que consuma una cantidad anómalamente alta de corriente.
En ese caso, suelte el interruptor disparador de la herramienta y detenga la aplicación que provocaba que la herramienta se sobrecargara. A continuación, vuelva a accionar el interruptor disparador para reanudar las operaciones.
Si la herramienta no consigue ponerse en marcha, la batería se ha sobrecalentado. En tal caso, deje que la batería se enfríe antes de volver a accionar el interruptor disparador.
- **Tensión de la batería baja:**
La capacidad restante de la batería es demasiado baja y la herramienta no funcionará. En ese caso, extraiga y recargue la batería.

Luces indicadoras (Fig. 11)

Cuando el sistema de protección esté en funcionamiento durante las operaciones, las luces se encenderán. Consulte en la siguiente tabla el estado y la acción que se debe realizar para la luz indicadora.

Indicador de encendido	Indicador de batería	Estado	Acción que debe realizarse
			
	Parpadea	La carga de la batería está próxima a agotarse.	Sustituya la batería por una completamente cargada.
	Encendido	El protector de la batería está cortando la alimentación; se ha agotado la carga de la batería.	Sustituya la batería por una completamente cargada.
Parpadea		El protector de sobrecalentamiento está cortando la alimentación. Hay un sobrecalentamiento.	Deje que el equipo descansa durante un rato.

013900

Indicación de la capacidad restante de la batería

(Solo para cartuchos de la batería con "B" al final del número de modelo.) (Fig. 12)

Pulse el botón de comprobación del cartucho de la batería para indicar la capacidad restante de la batería. Las luces indicadoras se encienden durante unos segundos.

Luces indicadoras			Capacidad restante
Iluminada	Apagado	Parpadea	
■	□	▧	75% a 100%
■	■	■	50% a 75%
■	■	□	25% a 50%
■	□	□	0% a 25%
▧	□	□	Cargue la batería.
■	■	□	Es posible que la batería se haya averiado.
□	□	■	

015658

NOTA:

- En función de las condiciones de uso y de la temperatura ambiente, la indicación puede diferir ligeramente de la capacidad real.

Cabezal de corte de nylon

AVISO:

- No intente desplegar el hilo con sacudidas del cabezal cuando la herramienta se utilice con RPM altas. Si se dan sacudidas al cabezal para desplegar hilo a altas RPM se pueden causar daños en el cabezal de corte de nylon.
- El despliegue de hilo mediante sacudidas no funcionará correctamente si el cabezal no está girando. (Fig. 13)

El cabezal de corte de nylon es un cabezal del cortador de pasto de hilo doble con un mecanismo de sacudida y despliegue de hilo.

Para que se despliegue el hilo de nylon, el cabezal de corte debe golpearse contra el suelo mientras gira a bajas RPM.

NOTA:

Si el hilo de nylon no se alarga correctamente con la sacudida del cabezal, rebobínelo o sustitúyalo siguiendo los procedimientos descritos en "Mantenimiento".

MONTAJE

⚠ ADVERTENCIA:

- Asegúrese siempre de apagar la herramienta y extraer el cartucho de la batería antes de intentar realizar cualquier tipo de operación en la herramienta.** Si la herramienta no se apaga o el cartucho de la batería no se extrae de la herramienta, pueden producirse lesiones personales graves en el caso de una puesta en marcha accidental.
- Nunca ponga en marcha la herramienta a no ser que esté completamente ensamblada.** La utilización de la herramienta en un estado parcialmente

ensamblado puede provocar lesiones personales graves en el caso de una puesta en marcha accidental.

Montaje del tubo de accesorios

Sólo para el modelo DUR183L (Fig. 14)

Para montar el accesorio a una unidad con motor:

- Asegúrese de que la palanca no esté apretada.
- Para abrir la entrada de la articulación, pulse la cubierta de la articulación. (Fig. 15)
- Alinee el saliente del tubo (lado de la herramienta de corte) con la parte cóncava de la pieza de articulación.
- Inserte el tubo de accesorios en la pieza de articulación. Asegúrese de que la superficie de la palanca de bloqueo esté horizontal respecto al tubo.
- Apriete con fuerza la palanca como se muestra en la ilustración.

Para retirar el accesorio, afloje la palanca, pulse la parte frontal de la palanca de bloqueo y después deslice el tubo.

Instalación de la empuñadura (Fig. 16)

Encaje la empuñadura en el tubo del eje y fíjela con dos pernos hexagonales. Asegúrese de que el separador del eje se encuentre entre el conjunto de la empuñadura y la otra empuñadura. No quite o reduzca el espacio del separador.

⚠ PRECAUCIÓN:

- Para el modelo DUR183L, nunca instale la empuñadura en la articulación.

Montaje del protector

⚠ ADVERTENCIA:

- Nunca utilice la herramienta sin el protector que se muestra en la ilustración.** De lo contrario, pueden producirse heridas graves. (Fig. 17 y 18)

Alinee los salientes del protector con las ranuras del chasis del motor. (Fig. 19)

Alinee los salientes del soporte del protector con las partes cóncavas del chasis del motor. Inserte el soporte del protector en el chasis del motor. (Fig. 20)

Tras acoplar el protector y el soporte del protector al chasis del motor, apriete los pernos hexagonales firmemente.

Montaje del protector de alambre

⚠ PRECAUCIÓN:

- Antes de ajustar el protector de alambre, espere a que el cabezal de corte se detenga por completo. No ajuste el protector de alambre con el pie. (Fig. 21)

Para reducir el riesgo de dañar objetos delante del cabezal de corte, inserte el protector de alambre de forma que controle el rango de corte de la línea de corte de pasto. (Fig. 22)

Expanda el protector de alambre ligeramente hacia delante e insértelo en los orificios del protector.

NOTA:

- No expanda el protector de alambre demasiado hacia delante. De lo contrario, se puede romper. (Fig. 23)
- Cuando no utilice el protector de alambre, levántelo hasta la posición de descanso.

Instalación del cabezal de corte de nylon

AVISO:

- Asegúrese de utilizar un cabezal de corte de nylon auténtico de Makita.

Ponga la herramienta boca arriba para reemplazar el cabezal de corte de nylon fácilmente. (Fig. 24) Inserte la llave hexagonal en el orificio de la cubierta del protector y el chasis del motor y gire la arandela de apoyo hasta que quede bloqueada con la llave hexagonal. Monte el protector metálico, el cabezal de corte de nylon en el eje con rosca directamente y apriételo girándolo en el sentido contrario a las agujas del reloj. Retire la llave hexagonal.

Para extraer el cabezal de corte de nylon, gírelo en el sentido de las agujas del reloj mientras sujeta la arandela de apoyo con la llave hexagonal.

⚠ PRECAUCIÓN:

- Si, durante el funcionamiento, el cabezal de corte de nylon golpea accidentalmente una roca o un objeto duro, debe detenerse el cortador y se debe comprobar si hay daños. Si el cabezal de corte de nylon está dañado se debe reemplazar inmediatamente. El uso de un cabezal de corte de nylon dañado puede provocar lesiones personales graves.

FUNCIONAMIENTO

Manejo correcto de la herramienta

Acoplamiento del arnés de hombro (Fig. 25)

Póngase el arnés de hombro. A continuación, conecte las hebillas del gancho y el arnés. Asegúrese de que las hebillas hagan clic y se bloqueen en su posición.

Sólo para el modelo DUR183L (Fig. 26)

Cuando no se utilice la tapa, cuélguela en el gancho.

Desabrochado (Fig. 27)

La hebilla se proporciona como medio de liberación rápida. Sólo tiene que apretar los lados y la hebilla para liberar la herramienta.

⚠ ADVERTENCIA:

- Procure mantener el control de la herramienta en todo momento. No permita que la herramienta se desvíe hacia usted o hacia cualquiera que se encuentre cerca de usted. Si no se controla la herramienta, se pueden producir graves lesiones personales a personas circundantes y al operario.

Ajuste de la posición del gancho y del arnés de hombro (Fig. 28)

Para cambiar la posición del gancho, afloje el perno hexagonal del gancho con la llave que se proporciona. A continuación, mueva el gancho.

Tras ajustar la posición del gancho, apriete el perno hexagonal firmemente con la llave.

MANTENIMIENTO

⚠ ADVERTENCIA:

- Asegúrese de apagar siempre la herramienta y extraer el cartucho de la batería antes de intentar realizar cualquier trabajo de inspección o

mantenimiento en ella. Si la herramienta no se apaga o el cartucho de la batería no se extrae de la herramienta, pueden producirse lesiones personales graves en el caso de una puesta en marcha accidental.

AVISO:

Nunca utilice gasolina, benceno, disolvente, alcohol o un producto similar. Se puede provocar una decoloración, una deformación o grietas.

Reemplazo del hilo de nylon

⚠ ADVERTENCIA:

- Asegúrese de que la cubierta del cabezal de corte de nylon esté fijada al chasis correctamente como se describe más abajo. Si la cubierta no se fija correctamente, el cabezal de corte de nylon puede salir despedido y provocar graves lesiones personales. (Fig. 29)

Retire la cubierta del chasis, pulsando los dos pestillos que están en la sección ranurada en el lado opuesto del chasis. (Fig. 30)

Corte un hilo de línea de 3 a 6 m. Pliegue el hilo de corte en dos mitades, deje una mitad la mitad de larga 80-100 mm que la otra. (Fig. 31)

Enganche la mitad del nuevo hilo de nylon en la ranura que se encuentra en el centro del carrete entre los 2 canales proporcionados para el hilo de nylon.

Enrolle ambos extremos firmemente alrededor del carrete en la dirección marcada en el cabezal para la dirección izquierda, indicada con LH. (Fig. 32)

Enrolle la totalidad del hilo, excepto unos 100 mm, dejando los extremos temporalmente enganchados alrededor de la hendidura del lateral del carrete. (Fig. 33) Monte el carrete en la cubierta de forma que las ranuras y los salientes del carrete coincidan con los de la cubierta. Ahora desenganche los extremos del hilo de su posición temporal y haga pasar los hilos por los ojales hasta que sobresalgan de la cubierta. (Fig. 34)

Alinee el saliente del lado inferior de la cubierta con las ranuras de los ojales. A continuación, presione firmemente la cubierta en el chasis para fijarla. Asegúrese de que los pestillos están totalmente extendidos en la cubierta.

Para mantener la SEGURIDAD y la FIABILIDAD del producto, las reparaciones y cualquier otra tarea de mantenimiento o ajuste deberán ser realizadas en centros de servicio autorizados por Makita, utilizando siempre repuestos Makita.

SOLUCIÓN DE PROBLEMAS

Antes de solicitar reparaciones, lleve a cabo su propia inspección. Si encuentra un problema que no se explica en el manual, no intente desmontar la herramienta. En su lugar, consulte con centros de servicio autorizados de Makita y utilice siempre repuestos de Makita para las reparaciones.

Estado de la avería	Causa	Acción
El motor no funciona.	El cartucho de la batería no está instalado.	Instale el cartucho de la batería.
	Problema de la batería (tensión insuficiente)	Recargue la batería. Si la recarga no tiene efecto, reemplace la batería.
	El sistema de transmisión no funciona correctamente.	Solicite a su centro de servicio autorizado local una reparación.
El motor se detiene tras poco uso.	El giro está en el ajuste inverso.	Cambie la dirección de giro con el interruptor de inversión.
	El nivel de carga de la batería es muy bajo.	Recargue la batería. Si la recarga no tiene efecto, reemplace la batería.
	Sobrecalentamiento.	Detenga la herramienta para dejar que se enfríe.
No alcanza las RPM máximas.	La batería se ha instalado incorrectamente.	Instale el cartucho de la batería como se describe en este manual.
	El nivel de la batería está cayendo.	Recargue la batería. Si la recarga no tiene efecto, reemplace la batería.
	El sistema de transmisión no funciona correctamente.	Solicite a su centro de servicio autorizado local una reparación.
La herramienta de corte no gira: ¡Detenga la máquina inmediatamente!	Un objeto extraño, como una rama, está atascado entre el protector y el cabezal de corte de nylon.	Extraiga el objeto extraño.
	El sistema de transmisión no funciona correctamente.	Solicite a su centro de servicio autorizado local una reparación.
Vibración anómala: ¡Detenga la máquina inmediatamente!	Un extremo del hilo de nylon se ha roto.	Golpee el cabezal de corte de nylon contra el suelo mientras gira para que se despliegue el hilo.
	El sistema de transmisión no funciona correctamente.	Solicite a su centro de servicio autorizado local una reparación.
La herramienta de corte y el motor no se pueden detener: ¡Extraiga la batería inmediatamente!	Avería eléctrica o electrónica.	Retire la batería y solicite a su centro de servicio autorizado local una reparación.

010856

ACCESORIOS OPCIONALES

PRECAUCIÓN:

- Se recomienda el uso de estos accesorios o complementos con la herramienta Makita especificada en este manual. El uso de otros accesorios o complementos puede conllevar el riesgo de ocasionar daños corporales. Utilice los accesorios o complementos solamente para su fin establecido.

Si necesita cualquier ayuda para obtener más información relativa a estos accesorios, pregunte a su centro de servicio Makita local.

- Cabezal de corte de nylon
- Hilo de nylon (línea de corte)
- Arnés de hombro
- Llave hexagonal
- Batería y cargador originales de Makita

NOTA:

- Algunos elementos de la lista se pueden incluir en el paquete de la herramienta como accesorios estándar. Pueden ser diferentes de un país a otro.

PORTUGUÊS (Instruções de origem)

Descrição geral

- | | | |
|---|---|------------------------------|
| 1. Bateria | 19. Posição B pressionada para remoção de ervas daninhas e detritos | 36. Espaçador |
| 2. Selector de regulação da velocidade | 20. Marca de estrela | 37. Ranhuras |
| 3. Luz indicadora | 21. Indicador da bateria | 38. Protector |
| 4. Botão de alimentação | 22. Lâmpadas indicadoras | 39. Partes côncavas |
| 5. Alavanca de bloqueio | 23. Botão de verificação | 40. Suporte do protector |
| 6. Gancho (ponto de suspensão) | 24. Área de corte mais eficaz | 41. Saliências |
| 7. Pega | 25. Junta | 42. Orifícios |
| 8. Gatilho | 26. Alavanca de bloqueio | 43. Cabeça de corte em nylon |
| 9. Resguardo | 27. Tampa da junta | 44. Resguardo metálico |
| 10. Resguardo do fio | 28. Alavanca | 45. Anilha receptora |
| 11. Ferramenta de corte | 29. Tubo (Lado da ferramenta de corte) | 46. Chave sextavada |
| 12. Arnês dos ombros | 30. Parte côncava | 47. Fivela |
| 13. Tampa | 31. Saliência | 48. Gancho |
| 14. Indicador vermelho | 32. Parafusos sextavados | 49. Parafuso sextavado |
| 15. Botão | 33. Tampa | 50. 80-100 mm |
| 16. Indicador de alimentação | 34. Fixadores | |
| 17. Interruptor de inversão | 35. Lado da ferramenta de corte | |
| 18. Posição A pressionada para funcionamento normal | | |

ESPECIFICAÇÕES

Modelo	DUR142L	DUR182L	DUR183L
Tipo de tubo	Tubo integrado		Tubo divisível
Velocidade sem carga	3.500 - 6.000 min ⁻¹		
Comprimento total com cabeça de corte em nylon	1.843 mm		
Comprimento dividido	—		982 mm
Diâmetro de corte com cabeça de corte em nylon	300 mm		
Peso líquido (com BL1430 ou BL1830)	3,8 kg	3,9 kg	4,1 kg
Tensão nominal	C.C. 14,4 V	C.C. 18 V	
Bateria padrão e carregador ⚠ Mantenha sempre as combinações de bateria/carregador nas colunas da direita.	BL1415N, BL1430, BL1440, BL1450/DC18RC	BL1815N, BL1820, BL1820B, BL1830, BL1840, BL1840B, BL1850, BL1850B/DC18RC	

- Devido à pesquisa e desenvolvimento constantes, estas especificações estão sujeitas a alteração sem aviso prévio.
- As especificações e o cartucho da bateria podem ser diferentes consoante o país.
- Peso, com a bateria, de acordo com o procedimento EPTA de 01/2003

Ruído	Nível de pressão sonora		Norma ou directiva aplicável	
	Modelo	L _{PA} (dB (A))		Incerteza K (dB (A))
	DUR142L	78	1,0	2000/14/EC
	DUR182L/DUR183L	79	0,7	

- Mesmo que o nível de pressão sonora listado acima seja 80 dB (A) ou menos, o nível em funcionamento pode exceder 80 dB (A). Use protecção ocular.

Vibração	Pega dianteira		Pega traseira		Norma ou directiva aplicável	
	Modelo	a _h (m/s ²)	Incerteza K (m/s ²)	a _h (m/s ²)		Incerteza K (m/s ²)
	DUR142L	≤ 2,5	1,5	≤ 2,5	1,5	EN786
	DUR182L/DUR183L	≤ 2,5	1,5	≤ 2,5	1,5	

ENG901-1

utilizado para comparar uma ferramenta com outra.

- O valor da emissão de vibração declarado foi medido de acordo com o método de teste padrão e pode ser

- O valor da emissão de vibração declarado pode também ser utilizado numa avaliação preliminar de exposição.

⚠ AVISO:


- A emissão de vibração durante a utilização real da ferramenta eléctrica pode ser diferente do valor de emissão declarado, dependendo da forma como a ferramenta é utilizada.
- Certifique-se de que identifica medidas de segurança, para proteger o operador, que são baseadas numa estimativa de exposição nas condições reais de utilização (tendo em conta todas as partes do ciclo de funcionamento, como as vezes que a ferramenta é desligada e quando está a trabalhar ao ralenti, além do tempo de utilização).

Símbolos

END020-3

Descrição dos símbolos utilizados no equipamento.

Certifique-se de que compreende o seu significado, antes da utilização.

 Tenha um cuidado e atenção especiais.



..... Leia o manual de instruções.



..... Cuidado; preste atenção aos objectos projectados.



..... A distância entre a ferramenta e as pessoas deve ser, no mínimo, 15 m.



..... Mantenha as pessoas afastadas.



..... Mantenha uma distância mínima de 15 m.



..... Usar um capacete, óculos e protecção para os ouvidos.



..... Utilizar luvas de protecção.



..... Use botas resistentes com solas não derrapantes. Recomenda-se a utilização de botas de segurança com biqueira de aço.



..... Não exponha a extensão à humidade.



..... Velocidade máxima admissível da ferramenta.



..... Nunca utilize lâminas metálicas.



..... Apenas para países da UE
Não deite equipamentos eléctricos ou a bateria no lixo doméstico!
De acordo com as directivas europeias sobre ferramentas eléctricas e electrónicas usadas e baterias, acumuladores e baterias usadas e a sua aplicação para as leis nacionais, as ferramentas eléctricas, as baterias e

conjuntos usados devem ser recolhidos em separado e encaminhados a uma instalação de reciclagem dos materiais ecológicos.

Apenas para países europeus Declaração de conformidade CE

ENH219-3

A Makita declara que as máquinas:

Designação da máquina:
Tesoura para grama a bateria
Nº/Tipo de modelo: DUR142L, DUR182L, DUR183L
Especificações: consulte a tabela
“ESPECIFICAÇÕES”.

Estão em conformidade com as directivas europeias seguintes:

2000/14/EC, 2006/42/EC

São fabricadas de acordo com as normas e documentos normalizados seguintes:

EN60335

A ficha técnica em conformidade com a norma 2006/42/EC está disponível a partir de:

Makita, Jan-Baptist Vinkstraat 2, 3070, Bélgica

O procedimento de avaliação da conformidade requisitado pela Directiva 2000/14/EC estava de acordo com o anexo VI.

Corpo notificado:

TÜV Rheinland LGA Products GmbH
Tillystraße 2
90431 Nürnberg, Alemanha
Número de identificação 0197

Modelo DUR142L

Nível de potência sonora medida: 89 dB (A)

Nível de potência sonora garantida: 90 dB (A)

Modelo DUR182L, DUR183L

Nível de potência sonora medida: 90 dB (A)

Nível de potência sonora garantida: 90 dB (A)

31. 12. 2013

Yasushi Fukaya
Director

Makita, Jan-Baptist Vinkstraat 2, 3070, Bélgica

INSTRUÇÕES DE SEGURANÇA IMPORTANTES

GEB109-3

⚠ AVISO! Leia todos os avisos de segurança e todas as instruções. O não cumprimento dos avisos e instruções pode resultar na ocorrência de choques eléctricos, incêndios e/ou ferimentos graves.

Guarde todos os avisos e instruções para referência futura.

1. **Familiarize-se com os controlos e a utilização adequada do equipamento.**
2. **Os elementos de corte continuam a rodar após o motor ser desligado.**

3. Nunca permita que crianças ou pessoas não familiarizadas com as instruções utilizem a máquina.
4. Para de utilizar a máquina com pessoas, especialmente, crianças ou animais por perto.
5. Utilize apenas a máquina com luz natural ou com luz artificial boa.
6. Antes de utilizar a máquina e após qualquer impacto, verifique por sinais de desgaste ou danos e, se necessário, repare.
7. Proteja-se contra ferimentos de qualquer dispositivo instalado para aparar o comprimento da linha filamento. Após alargar a linha do novo cortador, coloque sempre a máquina na posição de funcionamento normal antes de a ligar.
8. Nunca instale elementos de corte de metal.
9. Este aparelho não se destina à utilização por pessoas (incluindo crianças) com capacidades físicas, sensoriais ou mentais reduzidas ou falta de experiência e conhecimento, a menos que tenham sido supervisionadas ou formadas, relativamente à utilização do aparelho, por uma pessoa responsável pela sua segurança. As crianças devem ser supervisionadas para garantir que não brincam com o aparelho.
10. Utilize a ferramenta com o máximo de cuidado e atenção.
11. Opere a ferramenta apenas se estiver em boas condições físicas. Efectue todos os trabalhos com calma e cuidado. Tenha bom senso e lembre-se que o operador ou o utilizador é responsável pelos acidentes ou perigos que ocorrem a outras pessoas ou à sua propriedade.
12. Nunca utilize a ferramenta quando estiver cansado, doente ou sob a influência de álcool ou drogas.
13. A ferramenta deve ser desligada imediatamente se apresentar sinais de funcionamento anormal.

Utilização pretendida da ferramenta

1. Utilize a ferramenta correcta. A tesoura para grama a bateria destina-se apenas a cortar relva, ervas daninhas. Não deve ser utilizado para outros fins como aparar sebes, uma vez que pode causar ferimentos.

Equipamento de protecção pessoal (Fig. 1 e 2)

1. Vista-se de forma adequada. Utilize sempre roupas que sejam funcionais e apropriadas ao seu trabalho, isto é, que fiquem justas mas não demasiado apertadas ao ponto de causar um movimento desconfortável. Não use joalheria ou roupa que possa ficar presa com a relva alta. Caso tenha cabelo comprido utilize equipamento adequado para o prender.
2. Quando utilizar a ferramenta, use sempre sapatos resistentes com uma sola não derrapante. Estes sapatos protegem contra ferimentos e asseguram um bom apoio.
3. Use óculo de protecção.

Segurança eléctrica e de bateria

1. Evite ambientes perigosos. Não utilize a ferramenta em locais húmidos nem o exponha à chuva. A entrada de água na ferramenta aumentará o risco de choques eléctricos.

2. Recarregue apenas com o carregador especificado pelo fabricante. Um carregador adequado para um tipo de bateria pode criar um risco de incêndio quando utilizado com outra bateria.
3. Utilize ferramentas eléctricas apenas com baterias especificamente concebidas. A utilização de qualquer outra bateria pode criar um risco de ferimentos e incêndios.
4. Quando a bateria não estiver a ser utilizada, mantenha-a afastada de objectos metálicos como, por exemplo, cliques, moedas, chaves, pregos, parafusos ou outros pequenos objectos metálicos que possam fazer a ligação entre terminais. Provocar um curto-circuito nos terminais da bateria pode causar queimaduras ou um incêndio.
5. Sob condições abusivas, poderá ser ejectado líquido da bateria; evite o contacto. Se ocorrer acidentalmente um contacto, lave com água. Se o líquido entrar em contacto com os olhos, consulte um médico. O líquido ejectado da bateria pode causar irritação ou queimaduras.
6. Não elimine a(s) bateria(s) num incêndio. A célula pode explodir. Consulte os códigos locais para possíveis instruções de eliminação especiais.
7. Não abra nem desmonte a(s) bateria(s). O electrólito libertado é corrosivo e pode causar danos nos olhos ou na pele. Se engolido, pode ser tóxico.

Ligar a ferramenta (Fig. 3)

1. Certifique-se de que não há crianças ou outras pessoas a trabalhar num raio de 15 metros, tome também atenção a animais nas proximidades. Caso contrário, não utilize a ferramenta.
2. Antes da utilização, certifique-se sempre de que a ferramenta está segura. Verifique a segurança da ferramenta de corte, o resguardo e o gatilho/alavanca para uma acção fácil e adequada. Certifique-se de que as pegas estão limpas e secas e teste a função de ligar/desligar do interruptor.
3. Verifique as peças danificadas antes de nova utilização da ferramenta. Um resguardo ou outra peça danificada, verifique-o com cuidado para se certificar de que funciona correctamente. Verifique o alinhamento das peças móveis, união das peças móveis, se há peças partidas, a sua montagem e outras condições que possam afectar o funcionamento da ferramenta. Um resguardo ou outra peça danificada deve ser reparado convenientemente ou substituído pelo nosso agente autorizado a não ser que este manual indique o contrário.
4. Ligue o motor apenas quando as mãos e os pés estiverem afastados da ferramenta de corte.
5. Antes de arrancar, certifique-se de que a ferramenta de corte não está em contacto com objectos duros como ramos, pedras etc., uma vez que a ferramenta de corte irá rodar ao arrancar.

Método de funcionamento

1. Nunca utilize a máquina com resguardos danificados ou sem os resguardos instalados.

2. Utilize a ferramenta apenas com boa luz e visibilidade. Durante a época de Inverno, tenha cuidado com áreas escorregadias ou molhadas, gelo e neve (risco de escorregar). Certifique-se sempre de que tem um apoio seguro.
 3. Previna-se contra ferimentos nos pés e nas mãos provocados pela ferramenta de corte.
 4. Mantenha sempre as mãos e os pés afastados dos elementos de corte, especialmente ao ligar o motor.
 5. Nunca corte acima da altura dos ombros.
 6. Nunca utilize a ferramenta em cima de uma escada.
 7. Nunca trabalhe em superfícies instáveis.
 8. Não perca a postura correcta. Mantenha-se sempre bem equilibrado e apoiado.
 9. Remova areia, pedras, pregos etc encontrados na área de trabalho. As partículas estranhas podem danificar a ferramenta de corte e podem ser projectadas, resultando em ferimentos graves.
 10. Caso a ferramenta de corte atinja pedras ou outros objectos duros, desligue imediatamente o motor e inspeccione a ferramenta de corte.
 11. Antes de começar a cortar, certifique-se de que a ferramenta de corte atingiu a velocidade de funcionamento completa.
 12. Durante o funcionamento, segure sempre a ferramenta com ambas as mãos. Nunca segure a ferramenta com uma mão durante a utilização. Certifique-se sempre de que tem um apoio seguro.
 13. Todo o equipamento de protecção como resguardos, fornecidos com a ferramenta, devem ser usados durante o funcionamento.
 14. Excepto em caso de emergência, nunca deixe cair nem atire a ferramenta ao chão uma vez que isto pode danificá-la gravemente.
 15. Nunca arraste a ferramenta pelo chão quando a transportar, a ferramenta pode ficar danificada.
 16. Retire sempre a bateria da ferramenta:
 - sempre que deixar a ferramenta sem supervisão;
 - antes de eliminar um bloqueio;
 - antes de verificar, limpar ou efectuar reparações na ferramenta;
 - antes de efectuar ajustes, alterar acessórios ou guardar;
 - sempre que a ferramenta começar a vibrar de forma estranha;
 - sempre que transportar a ferramenta.
 17. Não force a ferramenta. Irá efectuar melhor o trabalho e com menos probabilidade de ferimentos à velocidade para a qual foi concebido.
5. Quando não utilizar, guarde o equipamento num local seco fechado ou fora do alcance das crianças.
 6. Utilize apenas as peças e acessórios de substituição recomendados pelo fabricante.
 7. Certifique-se sempre de que as aberturas de ventilações estão isentas de detritos.
 8. Inspeccione e efectue a manutenção da ferramenta regularmente, especialmente antes/ depois da utilização. Efectue as reparações da ferramenta apenas num centro de assistência autorizado.
 9. Mantenha as pegas secas, limpas e sem óleo ou gordura.

GUARDE ESTAS INSTRUÇÕES.

AVISO:

NÃO deixe que o conforto ou familiaridade com o produto (obtida de uma utilização regular) substituam um cumprimento severo das regras de segurança do produto em causa. Uma UTILIZAÇÃO INCORRECTA ou não cumprimento das regras de segurança indicadas neste manual de instruções podem provocar ferimentos pessoais sérios.

INSTRUÇÕES DE SEGURANÇA IMPORTANTES

ENC007-9

RELATIVAS À BATERIA

1. Antes de utilizar a bateria, leias as instruções e chamadas de atenção sobre: (1) o carregador da bateria, (2) a bateria e (3) o produto que utiliza a bateria.
2. Não desmonte a bateria.
3. Se o tempo de utilização com a bateria se tornar demasiado curto, deve parar imediatamente. Se continuar, pode causar sobreaquecimento, incêndio e mesmo explosão.
4. Se o electrólito entrar em contacto com os olhos, enxágue-os com água limpa e consulte imediatamente um médico. Os riscos incluem perda de visão.
5. Não provoque um curto-circuito na bateria:
 - (1) Não deixe que quaisquer materiais condutores entrem em contacto com os terminais da bateria.
 - (2) Evite guardar a bateria juntamente com outros objectos de metal como pregos, moedas, etc.
 - (3) Não exponha a bateria a água ou chuva. Um curto-circuito na bateria pode criar uma grande carga eléctrica, sobreaquecimento, possíveis queimaduras e mesmo uma avaria.
6. Não guarde a ferramenta e a bateria em locais onde a temperatura possa atingir ou exceder 50°C (122°F).
7. Não incinere a bateria, nem mesmo se esta estiver irremediavelmente danificada ou completamente gasta. Pode explodir num incêndio.
8. Não a deixe cair e evite o choque com outros objectos.
9. Não utilize uma bateria danificada.

Instruções de manutenção

1. O estado da ferramenta de corte, dispositivos de protecção e a alça de ombro têm de ser verificados antes de iniciar a utilização.
2. Desligue o motor e retire a bateria antes de efectuar a manutenção, substituindo a ferramenta de corte e limpando a ferramenta.
3. Após a utilização, desligue a bateria da ferramenta e verifique por danos.
4. Verifique por foxadores soltos e peças danificadas, quase cortados, na ferramenta de corte.

10. Siga os regulamentos locais relacionados com a eliminação da bateria.

GUARDE ESTAS INSTRUÇÕES.

Sugestões para o máximo de tempo de vida da bateria

1. Não espere que a bateria se gaste completamente para voltar a carregá-la. Pare a ferramenta e carregue a bateria sempre que detectar um baixo nível de energia.
2. Nunca volte a carregar uma bateria já completamente carregada. O carregamento excessivo diminui o tempo de vida das baterias.
3. Carregue a bateria em locais onde a temperatura se situe entre 10°C e 40°C (50°F - 104°F). Se a bateria estiver quente, deixe-a arrefecer antes de iniciar o carregamento.
4. Carregue a bateria em caso de inatividade durante um longo período de tempo (mais de seis meses).

Descrição das peças (Fig. 4)

DESCRIÇÃO DO FUNCIONAMENTO

⚠ AVISO:

- **Certifique-se sempre de que a ferramenta está desligada e de que a bateria foi removida antes de ajustar ou verificar as funções da ferramenta.** Caso não desligue e retire a bateria, pode sofrer ferimentos pessoais graves devido a arranque acidental.

Inserir ou retirar a bateria (Fig. 5)

⚠ PRECAUÇÃO:

- Desligue sempre a ferramenta antes de instalar ou retirar a bateria.
- **Segure bem a ferramenta e a bateria quando instalar ou retirar a bateria.** Se não segurar bem a ferramenta e a bateria, pode fazer com que caiam das mãos e provoquem danos na ferramenta e na bateria e ferimentos pessoais.

Para retirar a bateria, mantenha premido o botão na frente da bateria e puxe.

Para colocar a bateria, alinhe a respectiva saliência com a ranhura do compartimento e encaixe-a suavemente. Insira-a completamente até fixar em posição com um clique. Se ainda estiver visível o indicador vermelho na parte superior do botão, não estará bem encaixado.

⚠ PRECAUÇÃO:

- Instale sempre a bateria completamente, até deixar de ver o indicador vermelho. Caso contrário, pode cair da ferramenta e causar ferimentos em si, ou em alguém que esteja perto de si.
- Não instale a bateria forçosamente. Se não encaixar facilmente é porque não está correctamente posicionada.

Acção do interruptor de alimentação

⚠ AVISO:

- **Antes de inserir a pilha na ferramenta, verifique se o gatilho está a funcionar correctamente e se regressa à posição “OFF” quando o solta. Não puxe com força o gatilho sem rodar a alavanca de bloqueio. Isto poderá quebrar o interruptor.** Utilizar uma ferramenta com um interruptor que não funciona correctamente pode provocar uma perda de controlo e ferimentos pessoais graves. (Fig. 6)

Prima o botão de alimentação no alojamento para que a ferramenta seja ligada e o indicador de alimentação acenda. (Fig. 7)

Para evitar que o gatilho seja acidentalmente puxado, é fornecida uma alavanca de bloqueio.

Para iniciar a ferramenta, rode a alavanca de bloqueio e, de seguida, puxe o gatilho. Para parar a ferramenta, solte o gatilho.

NOTA:

- Após o botão de alimentação ser premido e a ferramenta ficar um minuto sem ser utilizada, esta desliga-se automaticamente.

Interruptor de inversão para remoção de detritos

⚠ AVISO:

- **Certifique-se sempre de que a ferramenta está desligada e a bateria retirada antes de remover as ervas daninhas ou detritos presos na ferramenta, que não podiam ser removidos quando a ferramenta é utilizada no modo invertido.** Caso não desligue e retire a bateria, pode sofrer ferimentos pessoais graves devido a arranque acidental. (Fig. 8)

Esta ferramenta tem um interruptor de inversão que se destina a alterar a direcção de rotação, de modo a poder ser utilizada para retirar ervas daninhas e detritos presos na ferramenta. Para utilizar a ferramenta normalmente, o lado “A” do interruptor deve ser pressionado.

Para retirar ervas daninhas e detritos que estão encravados na cabeça rotativa, a ferramenta pode ser invertida pressionando o lado “B” do interruptor. Na posição invertida, a ferramenta só irá funcionar por um curto período de tempo e, depois, desliga-se automaticamente.

ATENÇÃO:

- Verifique sempre a direcção da rotação antes da operação.
- Este interruptor de inversão deve ser utilizado apenas quando a ferramenta estiver completamente parada. Se alterar a direcção da rotação antes da ferramenta ter parado, pode avariá-la.

Selector de regulação da velocidade (Fig. 9)

A velocidade da ferramenta pode ser progressivamente ajustada entre 3.500 min⁻¹ e 6.000 min⁻¹ com o selector de regulação de velocidade.

Rode o selector de regulação da velocidade no sentido dos ponteiros do relógio para uma velocidade superior e no sentido contrário aos ponteiros do relógio para uma velocidade inferior.

Sistema de protecção da bateria (Bateria de íões de lítio com uma marca de estrela) (Fig. 10)

As baterias de íões de lítio com uma marca de estrela estão equipadas com um sistema de protecção. Este sistema corta automaticamente a alimentação para prolongar a vida útil da bateria.

A ferramenta pára automaticamente durante o funcionamento quando a ferramenta e/ou bateria são colocadas numa das condições seguintes:

- Sobrecarregada:
A ferramenta é utilizada de tal forma que atrai uma corrente involuntariamente alta.

Nesta situação, solte o gatilho da ferramenta e pare a aplicação que causou a sobrecarga. De seguida, prima novamente o gatilho para reiniciar.

Se a ferramenta não ligar, a bateria está sobreaquecida. Nesta situação, deixe a bateria arrefecer antes de premir novamente o gatilho.

- Tensão baixa da bateria:
A carga restante da bateria é demasiado baixa e a ferramenta não funciona. Nesta situação, retire e recarregue a bateria.

Luzes indicadoras (Fig. 11)

Quando o sistema de protecção funcionar durante a utilização, as luzes acendem-se.

Consulte a tabela seguinte para o estado e acção a tomar relativamente à luz indicadora.

Indicador de alimentação	Indicador da bateria	Estado	Acção a efectuar
	Intermitente	A carga da bateria está quase gasta.	Substitua a bateria por uma totalmente carregada.
	Aceso	O protector da bateria está a cortar a alimentação - a carga da bateria está gasta.	Substitua a bateria por uma totalmente carregada.
Intermitente		O protector de sobreaquecimento está a cortar a alimentação - sobreaquecimento.	Desligue e deixe o equipamento arrefecer durante alguns momentos.

013900

Indicar a carga restante da bateria

(Apenas para baterias com "B" no final do número de modelo.) (Fig. 12)

Prima o botão de verificação na bateria para indicar a carga restante da bateria. As lâmpadas indicadoras acendem-se durante alguns segundos.

Lâmpadas indicadoras			Carga restante
Acesa	Apagada	Intermitente	
			75% a 100%
			50% a 75%
			25% a 50%
			0% a 25%
			Carregue a bateria.
			A bateria pode ter avariado.

015658

NOTA:

- Consoante as condições de utilização e a temperatura ambiente, a indicação pode ser ligeiramente diferente da carga real.

Cabeça de corte em nylon

ATENÇÃO:

- Não tente avançar a cabeça com ressalto enquanto a ferramenta está a funcionar a RPM elevadas. Avançar com ressalto a RPM elevadas pode causar danos na cabeça de corte nylon.
- O avanço com ressalto não irá funcionar se a cabeça não estiver a rodar. (Fig. 13)

A cabeça de corte em nylon é uma cabeça dupla de tesoura para grama com mecanismo de ressalto e avanço.

Para fornecer o fio de nylon, a cabeça de corte deve ser ressaltada contra o chão enquanto roda a RPM baixas.

NOTA:

Se o fio de nylon não fornecer enquanto ressaltado a cabeça, rebobine/substitua o fio de nylon seguindo os procedimentos descritos em "Manutenção".

MONTAGEM

⚠ AVISO:

- **Certifique-se sempre de que a ferramenta está desligada e a bateria removida, antes de efectuar qualquer operação na ferramenta.** Caso não

desligue e retire a bateria, pode sofrer ferimentos pessoais graves devido a arranque acidental.

- **Nunca ligue a ferramenta a menos que esteja completamente montada.** A utilização da ferramenta num estado parcialmente montado pode resultar em ferimentos pessoais graves devido a arranque acidental.

Montar o tubo do implemento

Apenas para modelo DUR183L (Fig. 14)

Montar o implemento numa unidade de alimentação:

1. Certifique-se de que a alavanca não está apertada.
 2. Para abrir a entrada da junta, pressione a tampa da junta. (Fig. 15)
 3. Alinhe a saliência no tubo (lado da ferramenta de corte) com a parte côncava da junta.
 4. Introduza o tubo do implemento na junta. Certifique-se de que a superfície da alavanca de bloqueio está paralela ao tubo.
 5. Aperte bem a alavanca, conforme mostrado.
- Para remover o implemento, desaperte a alavanca, pressione a parte frontal da alavanca de bloqueio e, de seguida, deslize o tubo.

Instalar a pega (Fig. 16)

Instale a pega no tubo do eixo e aperte com dois parafusos sextavados. Certifique-se de que o espaçador no tubo do eixo se encontra entre a pega e a outra pega. Não retire ou diminua o espaçador.

⚠️ PRECAUÇÃO:

- Para o modelo DUR183L, nunca instale a pega na junta.

Instalar o resguardo

⚠️ AVISO:

- **Nunca utilize a ferramenta sem o resguardo ilustrado na sua posição.** Caso contrário, pode causar ferimentos pessoais graves. (Fig. 17 e 18)
- Alinhe as saliências no protector com as ranhuras do alojamento do motor. (Fig. 19)

Alinhe as saliências no suporte do protector com as partes côncavas do alojamento do motor. Introduza o suporte do protector no alojamento do motor. (Fig. 20)

Após instalar o protector e o suporte do protector no alojamento do motor, aperte bem os parafusos sextavados.

Instalar o resguardo do fio

⚠️ PRECAUÇÃO:

- Antes de ajustar o resguardo do fio, aguarde que a cabeça de corte pare. Não ajuste o resguardo do fio com o pé. (Fig. 21)

Para reduzir o risco de danos nos objectos à frente da cabeça de corte, introduza o resguardo do fio para que controle o alcance de corte da linha de corte. (Fig. 22)

Expanda ligeiramente o resguardo do fio para fora e, de seguida, introduza-o nos orifícios do protector.

NOTA:

- Não expanda o resguardo do fio em demasia para fora. Caso contrário, pode partir. (Fig. 23)

Quando o resguardo do fio não é utilizado, levante-o para a posição de inactividade.

Instalar a cabeça de corte em nylon

ATENÇÃO:

- Certifique-se de que utiliza cabeças de corte em nylon da Makita genuínas.

Vire a ferramenta ao contrário para que possa substituir a cabeça de corte em nylon com facilidade. (Fig. 24)

Insira a chave sextavada no orifício na tampa do protector e no alojamento do motor e rode a anilha receptora até que esteja apertada com a chave sextavada. Monte o resguardo metálico, a cabeça de corte em nylon directamente no fuso roscado e aperte rodando-a no sentido contrário aos ponteiros do relógio. Retire a chave sextavada.

Para retirar a cabeça de corte em nylon, rode a cabeça de corte em nylon no sentido dos ponteiros do relógio e, ao mesmo tempo, segure a anilha receptora com a chave sextavada.

⚠️ PRECAUÇÃO:

- **Se, durante a utilização, a cabeça de corte em nylon chocar contra uma pedra ou objecto duro, a tesoura deve ser parada e inspeccionada por quaisquer danos. Se a cabeça de corte em nylon estiver danificada, deve ser substituída imediatamente.** A utilização de uma cabeça de corte em nylon danificada, pode resultar em ferimentos pessoais graves.

FUNCIONAMENTO

Manuseamento correcto da ferramenta

Colocação do arnês dos ombros (Fig. 25)

Coloque o arnês dos ombros. De seguida, una as fivelas no gancho e no arnês. Certifique-se de que ouve o estalido das fivelas a bloquear nas suas posições.

Apenas para modelo DUR183L (Fig. 26)

Quando a tampa não é utilizada, pendure-a no gancho.

Remoção (Fig. 27)

A fivela é fornecida com um sistema de libertação rápida. Simplesmente pressione as partes laterais e a fivela para libertar a ferramenta.

⚠️ AVISO:

- **Certifique-se de que mantém sempre o controlo da ferramenta. Não permita que a ferramenta seja desviada em direcção a si ou a alguém próximo de si.** Caso contrário, pode resultar em ferimentos graves no operador e terceiros.

Ajuste da posição do gancho e arnês dos ombros (Fig. 28)

Para alterar a posição do gancho, desaperte o parafuso sextavado no gancho com a chave fornecida. De seguida, mova o gancho.

Depois de ajustar a posição do gancho, aperte bem o parafuso sextavado com a chave.

MANUTENÇÃO

AVISO:

- **Certifique-se sempre de que a ferramenta está desligada e a bateria removida antes de efectuar operações de inspecção ou de manutenção na ferramenta.** Caso não desligue e retire a bateria, pode sofrer ferimentos pessoais graves devido a arranque accidental.

ATENÇÃO:

Nunca utilize gasolina, benzina, diluente, álcool ou semelhante. Podem formar-se descolorações, deformações ou fissuras.

Substituir o fio de nylon

AVISO:

- **Certifique-se de que a tampa da cabeça de corte em nylon está fixa à armação adequadamente, como descrito abaixo.** A má fixação da tampa pode fazer com que a cabeça de corte em nylon seja projectada resultando em ferimentos pessoais graves. (Fig. 29)

Retire a tampa do alojamento, pressionando dois entalhes existentes em lados opostos do alojamento. (Fig. 30)

Corte uma linha de nylon em 3-6 m. Dobre a linha de corte em duas metades, deixe uma metade 80-100 mm maior do que a outra. (Fig. 31)

Engate o meio do novo fio de nylon no entalhe situado no centro da bobina entre os 2 canais fornecidos para o fio de nylon.

Enrole ambas as extremidades na bobina no sentido marcado na cabeça para direcção para a esquerda, indicada por LH. (Fig. 32)

Enrole tudo excepto cerca de 100 mm dos fios, deixando as extremidades temporariamente presa através do entalhe no lado da bobina. (Fig. 33)

Monte a bobina na tampa para que as ranhuras e as saliências na bobina correspondam às da tampa. Agora, desengate as extremidades do fio da posição temporária e forneça os fios pelos ilhós para saírem pela tampa. (Fig. 34)

Alinhe a saliência no lado inferior da tampa com as ranhuras dos ilhós. De seguida, pressione firmemente a tampa na armação para a fixar. Certifique-se de que os entalhes estão totalmente espalhados na tampa.

Para manter os níveis de SEGURANÇA e FIABILIDADE definidos para este produto, as reparações e os procedimentos de manutenção ou ajustes devem ser executados por centros de assistência Makita autorizados, utilizando sempre peças de substituição Makita.

RESOLUÇÃO DE PROBLEMAS

Antes de pedir reparações, efectue primeiro a sua própria inspecção. Se encontrar um problema que não é explicado no manual, não tente desmontar a ferramenta. Em vez disso, contacte os centros de assistência autorizados da Makita, utilizando sempre peças de reposição Makita para reparações.

Estado da avaria	Causa	Acção
O motor não arranca.	A bateria não está instalada.	Instale a bateria.
	Problema da bateria (sob tensão)	Recarregue a bateria. Se o recarregamento não for eficaz, substitua a bateria.
	O sistema de accionamento não funciona correctamente.	Consulte o seu centro de assistência autorizado local para reparação.
O motor deixa de funcionar após pouca utilização.	A rotação é invertida.	Altere a direcção de rotação com o interruptor de inversão.
	O nível de carga da bateria está fraco.	Recarregue a bateria. Se o recarregamento não for eficaz, substitua a bateria.
	Sobreaquecimento.	Pare de utilizar a ferramenta para permitir o seu arrefecimento.
Não atinge as RPM máximas.	A bateria não está bem instalada.	Instale a bateria como descrito neste manual.
	A carga da bateria está a diminuir.	Recarregue a bateria. Se o recarregamento não for eficaz, substitua a bateria.
	O sistema de accionamento não funciona correctamente.	Consulte o seu centro de assistência autorizado local para reparação.
A ferramenta de corte não roda: Pare imediatamente a máquina!	Um objecto estranho como um ramo está encravado entre o resguardo e a cabeça de corte em nylon.	Retire o objecto estranho.
	O sistema de accionamento não funciona correctamente.	Consulte o seu centro de assistência autorizado local para reparação.
Vibração anormal: Pare imediatamente a máquina!	Foi quebrada uma extremidade do fio de nylon.	Ressalte a cabeça de corte em nylon contra o solo enquanto está a rodar para fornecer o fio.
	O sistema de accionamento não funciona correctamente.	Consulte o seu centro de assistência autorizado local para reparação.
A ferramenta de corte e o motor não param: Retire imediatamente a bateria!	Avaria eléctrica ou electrónica.	Retire a bateria e consulte o serviço de assistência autorizado local para reparação.

010856

ACESSÓRIOS OPCIONAIS

PRECAUÇÃO:

- Os seguintes acessórios ou extensões são os recomendados para utilizar com a ferramenta Makita especificada neste manual. A utilização de quaisquer outros acessórios poderá representar um risco de ferimento para as pessoas. Apenas utilize o acessório para o fim indicado.

Se precisar de informações adicionais relativas aos acessórios, contacte o centro local de assistência Makita.

- Cabeça de corte em nylon
- Fio de nylon (linha de corte)
- Arnês dos ombros
- Chave sextavada
- Bateria e carregador genuínos da Makita

NOTA:

- Alguns itens na lista podem estar incluídos no pacote de ferramentas como acessórios de série. Podem diferir de país para país.

DANSK (Originalvejledning)

Forklaring til generel oversigt

- | | | |
|---|---|-----------------------|
| 1. Batteripakke | 19. B-position trykket ned for fjernelse af ukrudt og afklippede materialer | 36. Afstandsstykke |
| 2. Drejeknap til hastighedsjustering | 20. Stjernemærkning | 37. Riller |
| 3. Indikatorlampe | 21. Batteriindikator | 38. Beskytter |
| 4. Tænd/sluk-knap | 22. Indikatorlamper | 39. Konkave dele |
| 5. Sikringshåndtag | 23. Kontrolknap | 40. Beskytterholder |
| 6. Bøjle (ophængningspunkt) | 24. Mest effektive skæreamråde | 41. Fremspring |
| 7. Greb | 25. Samling | 42. Huller |
| 8. Kontaktgreb | 26. Låsehåndtag | 43. Nylontrimmerhoved |
| 9. Skærm | 27. Samlingsdæksel | 44. Metalafskærmning |
| 10. Wireafskærmning | 28. Håndtag | 45. Modtageskive |
| 11. Skæreværktøj | 29. Rør (skæreværktøjsside) | 46. Unbrakonøgle |
| 12. Bæresele | 30. Konkav del | 47. Spænde |
| 13. Hætte | 31. Fremspring | 48. Krog |
| 14. Rød indikator | 32. Sekskantbolte | 49. Sekskantbolt |
| 15. Knap | 33. Dækstykke | 50. 80-100 mm |
| 16. Strømindikator | 34. Spænder | |
| 17. Skiftekontakt | 35. Skæreværktøjsside | |
| 18. A-position trykket ned for almindelig drift | | |

SPECIFIKATIONER

Model	DUR142L	DUR182L	DUR183L
Rørtype	Sammenbygget rør		Opdelbart rør
Hastighed uden belastning	3.500 - 6.000 min ⁻¹		
Længde i alt med nylontrimmerhoved	1.843 mm		
Opdelte længde	—		982 mm
Skærediameter med nylontrimmerhoved	300 mm		
Nettovægt (med BL1430 eller BL1830)	3,8 kg	3,9 kg	4,1 kg
Nominal spænding	14,4 V jævnstrøm		18 V jævnstrøm
Standard batteripakke og oplader ⚠ Anvend altid batteri-/opladerkombinationerne i kolonnerne til højre.	BL1415N, BL1430, BL1440, BL1450/DC18RC	BL1815N, BL1820, BL1820B, BL1830, BL1840, BL1840B, BL1850, BL1850B/DC18RC	

- På grund af vores løbende forsknings- og udviklingsprogram kan specifikationerne heri ændres uden forudgående varsel.
- Specifikationerne og batteripakken kan variere fra land til land.
- Vægt, inklusive batteripakken, i henhold til EPTA-Procedure 01/2003

Støj	Lydtryksniveau		Gældende standard eller direktiv
	L _{PA} (dB (A))	Usikkerhed K (dB (A))	
Model	78	1,0	2000/14/EF
DUR142L			
DUR182L/DUR183L	79	0,7	

- Selvom det lydtryksniveau der står ovenfor er 80 dB (A) eller mindre, kan niveauet under arbejde muligvis overstige 80 dB (A). Bær høreværn.

Vibration	Forreste greb		Bagerste greb		Gældende standard eller direktiv
	a _h (m/s ²)	Usikkerhed K (m/s ²)	a _h (m/s ²)	Usikkerhed K (m/s ²)	
Model	≤ 2,5	1,5	≤ 2,5	1,5	EN786
DUR142L					
DUR182L/DUR183L	≤ 2,5	1,5	≤ 2,5	1,5	

- Den opgivne vibrationsemissionsværdi er målt i overensstemmelse med standardtestmetoden og kan bruges til at sammenligne et værktøj med et andet.
- Den opgivne vibrationsemissionsværdi kan muligvis også bruges til en indledende eksponeringsvurdering.

⚠ ADVARSEL:

- Vibrationsemissionen under den faktiske brug af maskinen kan afvige fra den opgivne emissionsværdi afhængigt af den måde, maskinen anvendes på.
- Sørg for at bestemme sikkerhedsforanstaltninger for beskyttelse af operatøren, som er baseret på en eksponeringsvurdering for brug under faktiske forhold (hvor alle anvendelsescyklussens dele inddrages, som f.eks. antal gange maskinen slukkes, og når den kører i tomgang ud over triggertiden).


Symboler


END020-3


Her vises de symboler, der benyttes til udstyret. Vær sikker på, at du forstår deres betydning, før du bruger udstyret.


 Vær særlig forsigtig og opmærksom.


 Læs brugsanvisningen.


 Fare; pas på udkastede genstande.


 Afstanden mellem maskinen og folk i nærheden skal være mindst 15 m.


 Hold andre tilstedeværende på afstand.


 Hold en afstand på mindst 15 m.

 Bær hjelm, beskyttelsesbriller og høreværn.


 Bær beskyttelseshandsker.

 Anvend kraftige støvler med skridsikre såler. Sikkerhedssko med stål næse anbefales.

 Udsæt ikke maskinen for fugt.

 Maksimal tilladelig hastighed for maskinen.

 Anvend aldrig metallringer.

 Kun for EU-lande
Elektrisk udstyr eller batteripakke må ikke bortskaffes sammen med almindeligt affald!
I henhold til det europæiske direktiv om bortskaffelse af elektriske og elektroniske produkter og om batterier og akkumulatører og bortskaffelse af batterier og akkumulatører og deres

implementering under gældende national lovgivning skal brugt elektrisk udstyr, batterier og batteripakke(r), der har udtjent deres levetid, indsamles separat og returneres til miljøgodkendt genindvinding.

Kun for europæiske lande EF-overensstemmelseserklæring

ENH219-3

Makita erklærer at følgende Makita-maskine(r):

Maskinens betegnelse:
Batteridreven græstrimmer
Modelnummer/ type: DUR142L, DUR182L,
DUR183L
Specifikationer: se tabellen "SPECIFIKATIONER".

Overholder følgende europæiske direktiver:

2000/14/EF, 2006/42/EF

De er produceret i overensstemmelse med den følgende standard eller standardiserede dokumenter:

EN60335

Den tekniske fil er i overensstemmelse med 2006/42/EF til rådighed fra:

Makita, Jan-Baptist Vinkstraat 2, 3070, Belgien

Den konformitetsvurderingsprocedure, der kræves af Direktiv 2000/14/EF, blev udført i henhold til appendiks VI.

Underrettet organ:

TÜV Rheinland LGA Products GmbH
Tillystraße 2
90431 Nürnberg, Tyskland
Identifikationsnummer 0197

Model DUR142L

Målt lydeffektniveau: 89 dB (A)

Garanteret lydeffektniveau: 90 dB (A)

Model DUR182L, DUR183L

Målt lydeffektniveau: 90 dB (A)

Garanteret lydeffektniveau: 90 dB (A)

31. 12. 2013



Yasushi Fukaya
Direktør

Makita, Jan-Baptist Vinkstraat 2, 3070, Belgien

VIGTIGE SIKKERHEDSINSTRUKTIONER

GEB109-3

⚠ ADVARSEL! Læs alle sikkerhedsadvarslerne og alle instruktionerne. Det kan medføre elektrisk stød, brand og/eller alvorlig personskade, hvis du ikke overholder advarslerne og følger instruktionerne.

Gem alle advarsler og instruktioner så du har dem til fremtidig brug.

1. **Gør dig bekendt med betjeningen og den korrekte anvendelse af udstyret.**
2. **Skærelemlerterne fortsætter med at dreje rundt, efter motoren er slukket.**

- Lad aldrig børn eller personer, som ikke har kendskab til disse instruktioner, anvende maskinen.
- Stop brugen af maskinen når der er personer, især børn, eller kæledyr i nærheden.
- Brug kun maskinen i dagslys eller under god kunstig belysning.
- Du skal kontrollere for tegn på slid eller skader, samt udføre reparation efter behov, inden brug af maskinen og efter eventuelt stød.
- Vær særlig opmærksom på skader fra udstyr der er påmonteret til afkortning af snorlængden. Efter der er trukket en ny skæresnor ud, skal maskinen altid sættes tilbage på dens normale anvendelsesposition, inden den tændes.
- Påmonter aldrig skærelementer af metal.
- Dette apparat er ikke beregnet til brug af personer (inklusive børn) med reducerede fysiske, sensoriske eller mentale evner, eller personer med manglende erfaring og viden, medmindre de er under opsyn eller instrueres i brugen af apparatet af en person, der er ansvarlig for deres sikkerhed. Børn bør holdes under opsyn for at sikre, at de ikke leger med apparatet.
- Anvend maskinen med allerstørste omhu og opmærksomhed.
- Anvend kun maskinen, hvis du er i god fysisk form. Udfør alt arbejde roligt og forsigtigt. Anvend sund fornuft og vær opmærksom på at operatøren eller brugeren er ansvarlig for ulykker eller farlige situationer, der måtte opstå mod andre personer eller deres ejendele.
- Anvend aldrig maskinen når du er træt, utilpas eller under påvirkning af alkohol eller medicin.
- Maskinen bør straks slukkes, hvis den viser tegn på unormal drift.

Beregnet brug af maskinen

- Brug den rigtige maskine. Den batteridrevne græstrimmer er kun beregnet til klipning af græs og mindre ukrudt. Den skal ikke bruges til andre formål som f.eks. hækkeklipping, eftersom det kan medføre personskader.

Personligt sikkerhedsudstyr (Fig. 1 og 2)

- Bær korrekt påklædning. Der skal bæres funktionelt og passende tøj, dvs. det bør sidde tæt, men ikke være til hindring. Bær ikke smykker eller tøj der kan sidde fast i højt græs. Anvend hårnet eller lignende så langt hår holdes på plads.
- Anvend altid kraftige sko med skridsikre såler ved brug af maskinen. Dette beskytter mod personskader og sikrer et godt fodfæste.
- Bær beskyttelsesbriller eller sikkerhedsbriller.

Elektrisk og batterisikkerhed

- Undgå farlige omgivelser. Anvend ikke maskinen på fugtige eller våde steder, og udsæt den ikke for regn. Risikoen for elektrisk stød forøges, hvis der kommer vand ind i maskinen.
- Genoplad kun med den oplader, der er specificeret af producenten. En oplader, der passer til én type batteripakke, kan medføre risiko for brand, hvis den anvendes med en anden batteripakke.
- Anvend kun maskiner sammen med særligt designerede batteripakker. Brug af andre

batteripakker kan muligvis medføre en risiko for personskader og brand.

- Når batteripakken ikke er i brug, skal den holdes væk fra andre metalgenstande som f.eks. papirclips, mønter, søm, skruer eller andre små metalgenstande, som kan forbinde den ene terminal med den anden. Kortslutning af batteriterminalerne kan medføre forbrændinger eller brand.
- Ved forkert behandling kan der sive væske ud fra batteriet; undgå kontakt. Hvis der opstår utilsigtet kontakt, skal du skylle med vand. Hvis du får væske i øjnene, skal du søge lægehjælp. Væske fra batteriet kan forårsage irritation eller forbrændinger.
- Smid ikke batterier ind i et bål. Battericellen kan eksplodere. Se de lokale bestemmelser for eventuelle særlige bortskafningsinstruktioner.
- Åbn eller ødelæg ikke batterier. Den frigivne elektrolyt er ætsende og kan forårsage skade på øjne og hud. Den kan være giftig, hvis den indtages.

Start af maskinen (Fig. 3)

- Sørg for, at der ikke er nogen børn eller andre personer indenfor et arbejdsområde på 15 meter, samt vær opmærksom på eventuelle dyr i nærheden af arbejdsområdet. Ellers skal brugen af maskinen stoppes.
- Før arbejdet påbegyndes, kontrolleres det, at maskinen er klar til drift. Kontroller sikkerheden af skæreværktøjet og skærmen samt at kontaktrøbet/håndtaget aktiveres på nem og korrekt vis. Sørg for, at håndtagene er rene og tørre og test kontaktens tænd/slukfunktion.
- Kontroller for beskadigede dele inden videre brug af maskinen. En beskadiget skærm eller anden del bør omhyggeligt kontrolleres for at sikre, at den vil fungere ordentligt og kan udføre dens tilsigtede funktion. Kontroller for justering af bevægelige dele, stramhed i bevægelige dele, beskadigelse af dele, montering eller andre forhold der kan påvirke funktionen. En beskadiget skærm eller anden del bør repareres på korrekt vis eller udskiftes af vores autoriserede servicecenter medmindre, der er angivet andet i denne brugsanvisning.
- Start kun motoren, når hænder og fødder er væk fra skæreværktøjet.
- Inden du starter, skal du sikre dig, at skæreværktøjet ikke er i kontakt med hårde objekter som f.eks. grene, sten eller lignende, eftersom skæreværktøjet drejer rundt, når du starter.

Betjeningsmetode

- Anvend aldrig maskinen med beskadigede skærme eller uden skærmene på plads.
- Brug kun maskinen i god belysning og med godt udsyn. I vintersæsonen skal du være på vagt overfor glatte eller våde områder, is og sne (der er risiko for at falde). Sørg altid for at have et godt fodfæste.
- Pas på at fødder og hænder ikke kommer til skade på skæreværktøjet.
- Hold altid hænder og fødder væk fra skæreværktøjet, især når du tænder for motoren.

5. Skær aldrig over hoftehøjde.
6. Stå aldrig på en stige, når du arbejder med maskinen.
7. Arbejd aldrig på ustabile overflader.
8. Stræk dig ikke for langt. Bevar fodfæstet og balancen til enhver tid.
9. Fjern sand, sten, søm m.v. som findes inden for arbejdsområdet. Fremmedpartikler kan beskadige skæreværktøjet og blive kastet af, hvilket kan resultere i en alvorlig personskade.
10. Skulle skæreværktøjet ramme sten eller andre hårde objekter, skal du straks slukke for motoren og efterse skæreværktøjet.
11. Inden foretagelse af skærearbejde skal skæreværktøjet have nået op på fuld arbejds hastighed.
12. Maskinen skal altid holdes med begge hænder under anvendelsen. Hold aldrig maskinen med kun én hånd under brug. Sørg altid for at have et godt fodfæste.
13. Alt sikkerhedsudstyr som f.eks. skærme, der følger med maskinen, skal anvendes under betjeningen.
14. Undtagen i nødstilfælde må du aldrig tabe eller kaste maskinen ned på jorden, ellers kan dette beskadige maskinen alvorligt.
15. Træk aldrig maskinen hen over jorden når du går fra sted til sted, da maskinen kan tage skade, hvis den flyttes på denne måde.
16. Tag altid batteripakken ud af maskinen:
 - hver gang maskinen lades uden opsyn;
 - inden du fjerner en forhindring;
 - inden kontrol, rengøring eller arbejde på maskinen;
 - inden du foretager nogen justeringer, skifter tilbehør eller sætter den væk;
 - når maskinen begynder at vibrere unormalt;
 - ved transport af maskinen.
17. Anvend ikke kraft på maskinen. Den vil fungere bedre, og der er mindre sandsynlighed for skader, hvis den betjenes sådan, som den er beregnet til.

Vedligeholdelsesvejledning

1. Tilstanden af skæreværktøjet, beskyttelsesudstyr og bæresele skal kontrolleres inden udførsel af arbejde.
2. Sluk for motoren og tag batteripakken ud inden der udføres vedligeholdelse, udskiftning af skæreværktøj eller rengøring af maskinen.
3. Efter brug afbrydes batteripakken fra maskinen, og den kontrolleres for skader.
4. Kontroller for løse fastgørelsesmidler og beskadigede dele som f.eks. halvvejs afskårne steder i skæreværktøjet.
5. Når maskinen ikke anvendes, skal udstyret opbevares på et tørt sted, som er aflåst eller uden for børns rækkevidde.
6. Anvend kun producentens anbefalede reservedele og tilbehør.
7. Sørg altid for, at ventilationsåbningerne holdes fri for afklippede materialer.
8. Efterse og vedligehold maskinen regelmæssigt, især før/efter brug. Få kun maskinen repareret af vores autoriserede servicecenter.

9. Hold håndtagene tørre, rene og fri for olie og fedtstoffer.

GEM DISSE INSTRUKTIONER.

⚠ ADVARSEL:

LAD IKKE trykthed eller kendskab til produktet (fra gentagen brug) føre til, at du ikke strengt overholder sikkerhedsreglerne for det gældende produkt. MISBRUG eller manglende overholdelse af sikkerhedsreglerne i denne brugsanvisning kan medføre alvorlig personskade.

VIGTIGE SIKKERHEDSINSTRUKTIONER

ENC007-9

FOR BATTERIPAKKEN

1. Før brugen af batteripakken skal du læse alle instruktioner og advarsler på (1) batteriopladeren, (2) batteriet og (3) det produkt, som batteriet anvendes i.
2. Skil ikke batteripakken ad.
3. Hvis driftstiden bliver betydeligt kortere, skal du straks ophøre med brugen. Brug kan medføre risiko for overophedning, risiko for forbrændinger eller endog eksplosion.
4. Hvis du får elektrolyt i øjnene, skal du med det samme rense øjnene med rent vand og søge læge. Dette kan medføre tab af synet.
5. Kortslut ikke batteripakken:
 - (1) Undgå at røre ved terminalerne med ledende materiale.
 - (2) Undgå at opbevare batteripakken i en beholder med andre metalgenstande som f.eks. søm, mønter osv.
 - (3) Udsæt ikke batteripakken for vand eller regn. Hvis batteriet kortsluttes, kan det medføre voldsom strøm, overophedning, mulige forbrændinger og endog nedbrud.
6. Undgå at opbevare værktøjet og batteripakken på steder, hvor temperaturen kan komme op på eller overstige 50°C.
7. Sæt ikke ild til batteripakken, selvom den er alvorligt beskadiget eller helt udtjent. Batteripakken kan eksplodere ved brand.
8. Undgå at tabe eller slå på batteriet.
9. Undlad brug af et beskadiget batteri.
10. Følg de lokale bestemmelser med hensyn til bortskaffelse af batteri.

GEM DISSE INSTRUKTIONER.

Tips til, hvordan du forlænger batteriets levetid

1. Oplad batteripakken, før den bliver helt afladet. Ophør med at bruge værktøjet, og udskift batteripakken, hvis strømmen til værktøjet aftager.
2. Oplad aldrig en fuldt opladet batteripakke. Overopladning forkorter batteriets levetid.

3. Oplad batteripakken ved stuetemperatur på 10°C - 40°C. Lad batteripakken køle ned før den oplades, hvis den er varm.
4. Oplad batteripakken, hvis du ikke skal anvende den i en længere periode (mere end seks måneder).

Beskrivelse af dele (Fig. 4)

FUNKTIONSBESKRIVELSE

⚠ ADVARSEL:

- Sørg altid for, at maskinen er slukket, og batteripakken er taget ud, før du justerer maskinen eller kontrollerer dens funktioner. Hvis du ikke slukker og fjerner batteripakken, kan det medføre alvorlig personskade i tilfælde af utilsigtet start.

Montering eller afmontering af batteripakken (Fig. 5)

⚠ FORSIGTIG:

- Sluk altid for maskinen inden montering eller afmontering af batteripakken.
- Hold godt fast i maskinen og batteripakken, når du monterer eller afmonterer batteripakken. Hvis maskinen og batteripakken ikke holdes ordentligt fast, kan de glide ud af hænderne og resultere i skader på maskinen og batteripakken samt personskade.

Afmonter batteripakken ved at holde ned på knappen foran på batteripakken og skubbe den af maskinen. Ved montering af batteripakken justeres tungen på batteripakken med rillen i huset, hvorefter pakken skubbes ind på plads. Sæt den hele vejen ind, indtil den låses på plads med et lille klik. Hvis den røde indikator øverst på knappen er synlig, er batteripakken ikke låst helt fast.

⚠ FORSIGTIG:

- Sæt altid batteripakken helt ind, indtil den røde indikator ikke længere er synlig. Ellers kan den falde ud af maskinen og skade dig eller andre personer i nærheden.
- Anvend ikke kræfter ved monteringen af batteripakken. Hvis den ikke glider let ind, er den ikke indsat korrekt.

Betjening af kontaktgreb

⚠ ADVARSEL:

- Før batteripakken sættes i maskinen, skal du altid kontrollere, at kontaktgrebet reagerer korrekt og vender tilbage i "OFF"-stillingen, når du slipper det. Træk ikke hårdt i kontaktgrebet uden at trykke på sikringshåndtaget. Dette kan ødelægge kontaktgrebet. Anvendelse af en maskine med et kontaktgreb, som ikke fungerer ordentligt, kan medføre tab af kontrol og alvorlig personskade. (Fig. 6)

Tryk på tænd/sluk-knappen på huset så maskinen tilføres strøm, og strømindikatoren lyser. (Fig. 7)

Et sikringshåndtag forhindrer, at kontaktgrebet aktiveres ved et uheld.

Maskinen startes ved at dreje på sikringshåndtaget og derefter trykke på kontaktgrebet. Slip kontaktgrebet for at stoppe.

BEMÆRK:

- Hvis maskinen ikke betjenes i et minut, efter der er trykket på tænd/sluk-knappen, slukkes der automatisk for strømmen til maskinen.

Skiftekontakt til fjernelse af afklippede materialer

⚠ ADVARSEL:

- Sørg altid for, at maskinen er slukket, og batteripakken er taget ud, inden du fjerner ukrudt eller afklippede materialer, som sidder fast i maskinen, der ikke kunne fjernes vha. anvendelse af den omvendte tilstand. Hvis du ikke slukker og fjerner batteripakken, kan det medføre alvorlig personskade i tilfælde af utilsigtet start. (Fig. 8)

Denne maskine er udstyret med en skiftekontakt, som kun er til ændring af rotationsretningen, sådan at den kan anvendes til fjernelse af ukrudt og afklippede materialer, der sidder fast på maskinen. For at anvende maskinen normalt skal der trykkes på "A"-siden af kontakten. For at fjerne ukrudt og afklippede materialer som har sat sig fast i det roterende hoved, kan der skiftes omkørselsretning på maskinen ved at trykke på "B"-siden af kontakten. Maskinen kan anvendes i kortere tid i den omvendte position, hvorefter den automatisk slukker.

BEMÆRK:

- Kontroller altid rotationsretningen før anvendelsen.
- Betjen ikke skiftekontakten, før maskinen er helt stoppet. Hvis rotationsretningen ændres, inden maskinen er helt stoppet, kan det beskadige maskinen.

Drejeknap til hastighedsjustering (Fig. 9)

Maskinens hastighed kan justeres fra 3.500 min⁻¹ til 6.000 min⁻¹ ved hjælp af drejeknappen til hastighedsjustering.

Drej drejeknappen til hastighedsjustering med uret for større hastighed eller mod uret for lavere hastighed.

Batteribeskyttelsessystem (lithium-ion-batteri med stjernemærkning) (Fig. 10)



Lithium-ion-batterier med en stjernemærkning er udstyret med et beskyttelsessystem. Dette system slukker automatisk for strømmen til maskinen for at forlænge batterilevetiden.

Maskinen stopper automatisk under anvendelsen, hvis maskinen og/eller batteriet udsættes for en af de følgende situationer:

- Overbelastning:
Maskinen anvendes på en sådan måde, at det får den til at bruge unormalt meget strøm.
I denne situation skal du slippe kontaktgrebet på maskinen og stoppe den anvendelse, som gjorde maskinen overbelastet. Tryk derefter ind på kontaktgrebet for starte igen.
Hvis maskinen ikke starter, er batteriet overbelastet. I denne situation skal du lade batteriet køle af, inden du trykker ind på kontaktgrebet igen.
- Lav batterispænding:
Den resterende batterikapacitet er for lav, og maskinen kan ikke køre. I denne situation skal du afmontere og oplade batteriet.

Indikatorlamper (Fig. 11)

Når beskyttelsessystemet aktiveres under betjeningen, lyser lamperne.
Se det følgende skema over indikatorlampens status og afhjælpning.










Strømindikator	Batteriindikator	Status	Afhjælpning
			
	Blinker	Batteriet er næsten brugt op.	Udskift batteriet med et fuldt opladet batteri.
	Lyser	Batteribeskyttelsen lukker for strømmen - batteriet er brugt op.	Udskift batteriet med et fuldt opladet batteri.
Blinker		Overbelastningsbeskyttelsen lukker af for strømmen - overbelastning.	Lad maskinen hvile og køle af et stykke tid.

013900

Angivelse af den resterende batterikapacitet

(Kun for batteripakker med "B" til sidst i modelnummeret.) (Fig. 12)

Tryk på kontrolknappen på batteripakken for at få angivet den resterende batterikapacitet. Indikatorlamperne lyser i nogle få sekunder.

Indikatorlamper			Resterende kapacitet
 Tændt	 Slukket	 Blinker	
			75% til 100%
			50% til 75%
			25% til 50%
			0% til 25%
			Oplad batteriet.
			Der opstod muligvis funktionsfejl på batteriet.

015658

BEMÆRK:

- Afhængigt af anvendelsesforholdene og den omgivende temperatur, kan angivelsen muligvis afvige en smule fra den egentlige kapacitet.

Nylontrimmerhoved

BEMÆRK:

- Forsøg ikke at banke hovedet i jorden for at tilføre snor, når maskinen anvendes ved høje omdrejninger. Bankes hovedet i jorden ved høje omdrejninger, kan det beskadige nylontrimmerhovedet.
- Snorfremføring via bank i jorden fungerer ikke ordentligt, hvis hovedet ikke roterer. (Fig. 13)

Nylontrimmerhovedet er et dobbelt græstrimmerhoved udstyret med en bank-fremføringsmekanisme. For at fremføre nylonsnoren skal trimmerhovedet bankes ned i jorden, mens det roterer ved lave omdrejninger.

BEMÆRK:

Hvis nylonsnoren ikke fremføres, når hovedet bankes ned i jorden, skal du oprulle/udskifte nylonsnoren ved at følge de procedurer, som er beskrevet under "Vedligeholdelse".

MONTERING

⚠ ADVARSEL:

- Sørg altid for, at maskinen er slukket, og batteripakken er taget ud, før du udfører nogen form for arbejde på maskinen.** Hvis du ikke slukker og fjerner batteripakken, kan det medføre alvorlig personskade i tilfælde af utilsigtet start.
- Start aldrig maskinen medmindre den helt samlet.** Anvendelse af maskinen i delvist samlet tilstand, kan resultere i alvorlig personskade i tilfælde af utilsigtet start.

Montering af tilbehørsrør

Kun til model DUR183L (Fig. 14)

Sådan monteres tilbehørsrøret på en dirvenhed:

- Sørg for at håndtaget ikke er spændt.
 - For at åbne samlingens åbning skal du trykke ned på samlingsdækslet. (Fig. 15)
 - Ret fremspringet på røret (skæreværktøjssiden) ind med den konkave del på samlingsstykket.
 - Sæt tilbehørsrøret ind i samlingsstykket. Sørg for at overfladen af låsehåndtaget er vandret i forhold til røret.
 - Spænd håndtaget ordentligt som vist.
- For at fjerne tilbehøret skal du løsne håndtaget, trykke på den forreste del af låsehåndtaget og trække røret ud.

Montering af grebet (Fig. 16)

Monter grebet på skaflet og stram det med to sekskantbolte. Sørg for at afstandsstykket på skaflet er placeret mellem grebets montering og det andet greb. Du må hverken fjerne eller formindske afstandsstykket.

FORSIGTIG:

- Installer aldrig grebet på samlingen på model DUR183L.

Montering af skærmen

ADVARSEL:

- **Anvend aldrig maskinen uden den illustrerede skærm er på plads.** Ellers kan det medføre alvorlig personskade. (Fig. 17 og 18)

Ret fremspringene på beskytteren ind med rillerne i motorhuset. (Fig. 19)

Ret fremspringene på beskytterholderen ind med de konkave dele i motorhuset. Sæt beskytterholderen ind i motorhuset. (Fig. 20)

Efter montering af beskytteren og beskytterholderen til motorhuset skal sekskantboltene strammes ordentligt.

Montering af wireafskærmningen

FORSIGTIG:

- Vent til trimmerhovedet er standset helt op inden du justerer wireafskærmningen. Juster ikke wireafskærmningen med foden. (Fig. 21)

For at mindske risikoen for beskadigelse af genstande foran trimmerhovedet, skal du indsætte wireafskærmningen, så den kontrollerer skæreaafstanden for den græsklippende snor. (Fig. 22)

Træk lidt ud i wireafskærmningen og sæt den derefter ind i hullerne i beskytteren.

BEMÆRK:

- Træk ikke for langt ud i wireafskærmningen. Ellers kan den brække. (Fig. 23)

Når wireafskærmningen ikke bruges, skal den løftes op i neutral position.

Installation af nylontrimmerhoved

BEMÆRK:

- Sørg for, at du anvender et ægte Makita-nylontrimmerhoved.

Vend maskinen på hovedet så at du nemt kan udskifte nylontrimmerhovedet. (Fig. 24)

Indsæt unbrakonøglen gennem hullet i beskyttelsesdækslet og motorhuset og drej modtageskiven, indtil den er låst med unbrakonøglen. Monter metalfskærmningen og nylontrimmerhovedet direkte på spindelgevindtet og stram til ved at dreje det mod urets retning. Fjern unbrakonøglen.

For at afmontere nylontrimmerhovedet skal du dreje nylontrimmerhovedet med uret, mens du holder modtageskiven med unbrakonøglen.

FORSIGTIG:

- **Hvis nylontrimmerhovedet utilsigtet rammer en sten eller en hård genstand, skal trimmeren stoppes og efterses for eventuelle skader. Hvis nylontrimmerhovedet er beskadiget, bør det straks udskiftes.** Brug af et beskadiget nylontrimmerhoved kan medføre alvorlig personskade.

BETJENING

Korrekt håndtering af maskine

Montering af bæreselen (Fig. 25)

Tag bæreselen på. Tilslut derefter spænderne på både krogen og selen. Sørg for at spænderne klikker og låses helt på plads.

Kun til model DUR183L (Fig. 26)

Når hættten ikke anvendes, skal du hænge den på krogen.

Aftagning (Fig. 27)

Spænding er udstyret med en hurtigudløsning. Tryk blot ind på siderne af spændet for at frigøre maskinen.

ADVARSEL:

- **Du skal konstant være meget omhyggelig med at beholde kontrollen over maskinen. Tillad ikke maskinen at blive slået tilbage mod dig eller andre i nærheden.** Har du ikke kontrol over maskinen, kan det resultere i alvorlige personskader på andre tilstedeværende eller operatøren.

Justering af bøjlepositionen og bæreselen (Fig. 28)

For at ændre bøjlepositionen skal du løse sekskantboltten på bøjlen med den medfølgende unbrakonøgle. Flyt derefter bøjlen.

Efter justering af bøjlepositionen skal du stramme sekskantboltten ordentligt til med unbrakonøglen.

VEDLIGEHOLDELSE

ADVARSEL:

- **Sørg altid for, at maskinen er slukket, og batteripakken er taget ud, før du forsøger at udføre inspektion eller vedligeholdelse på maskinen.** Hvis du ikke slukker og fjerner batteripakken, kan det medføre alvorlig personskade i tilfælde af utilsigtet start.

BEMÆRK:

Brug aldrig benzin, benzen, fortynder, alkohol eller lignende. Det kan muligvis medføre misfarvning, deformation eller revner.

Udskiftning af nylonspor

ADVARSEL:

- **Sørg for, at nylontrimmerhovedets dæksel er ordentligt fastgjort til huset som beskrevet nedenfor.** Fastgøres dækslet ikke ordentligt, kan det medføre, at nylontrimmerhovedet flyver af med alvorlige personskader til følge. (Fig. 29)

Tag dækslet af huset ved at trykke på to klemmekonstruktioner, der er placeret på stykket mellem sprækkerne på hver side af huset. (Fig. 30)

Klip en nylonspor af på 3-6 m. Fold trimmersnoren sammen i to halvdele, hvor den ene halvdel er 80-100 mm længere end den anden. (Fig. 31)

Hægt midten af den nye nylonspor på indhakket i midten af spolen mellem de 2 kanaler til nylonsnoren.

Vikl begge ender tæt omkring spolen i den retning på hovedet som er markeret for venstrehåndsretning, angivet med LH. (Fig. 32)

Vikl snorene helt op på nær cirka 100 mm, og lad midlertidigt enderne være hægtet gennem indhakked på siden af spolen. (Fig. 33)

Monter spolen på dækslet sådan at rillerne og fremspringene på spolen matcher med dem på dækslet. Hægt derefter enderne på snoren af fra deres midlertidige placering og før snorene gennem øjerne, sådan at de kommer ud af dækslet. (Fig. 34)

Ret fremspringet på undersiden af dækslet ind med øjernes åbninger. Tryk derefter dækslet ordentligt ind på huset, sådan at det sidder fast. Sørg for, at klemmekonstruktionerne hæfter dækslet ordentligt fast.

For at holde produktet SIKKERT og PÅLIDELIGT skal reparationer samt al anden vedligeholdelse eller justering udføres af autoriserede Makita-servicecentre, og der skal altid benyttes Makita-reservedele.

FEJLFINDING

Foretag først selv eftersyn, inden du beder om reparation. Hvis du finder et problem, der ikke er forklaret i brugsanvisningen, skal du ikke forsøge at skille maskinen ad. Bed i stedet et autoriseret Makita-servicecenter, der altid benytter Makita-reservedele, om reparation.

Fejlfunktionsstatus	Årsag	Afhjælpning
Motoren kører ikke.	Batteripakken er ikke isat.	Isæt batteripakken.
	Batteriproblem (mangler spænding)	Genoplad batteriet. Hvis opladning ikke virker, skal batteriet udskiftes.
	Drivsystemet fungerer ikke korrekt.	Henvend dig til dit lokale autoriserede servicecenter angående reparation.
Motoren stopper med at køre efter kort tids brug.	Rotationsretningen er bagudvendt.	Ændr rotationsretningen med skiftekontakten.
	Batteriets opladningsniveau er lavt.	Genoplad batteriet. Hvis opladning ikke virker, skal batteriet udskiftes.
	Overophedning.	Stop brug af maskinen og lad den køle af.
Den når ikke op på maksimale omdrejninger.	Batteriet er ikke sat ordentligt i.	Sæt batteripakken i som beskrevet i denne brugsanvisning.
	Batteriniveauet falder.	Genoplad batteriet. Hvis opladning ikke virker, skal batteriet udskiftes.
	Drivsystemet fungerer ikke korrekt.	Henvend dig til dit lokale autoriserede servicecenter angående reparation.
Skæreværktøjet roterer ikke: Stop straks maskinen!	Der er et fremmedlegeme som f.eks. en gren i klemme mellem skærmen og nylontrimmerhovedet.	Fjern fremmedlegemet.
	Drivsystemet fungerer ikke korrekt.	Henvend dig til dit lokale autoriserede servicecenter angående reparation.
Unormal vibration: Stop straks maskinen!	Den ene ende af nylonsnoren er knækket.	Bank nylontrimmerhovedet mod jorden mens det roterer for at fremføre snoren.
	Drivsystemet fungerer ikke korrekt.	Henvend dig til dit lokale autoriserede servicecenter angående reparation.
Skæreværktøj og motor kan ikke stoppe: Fjern straks batteripakken!	Elektrisk eller elektronisk funktionsfejl.	Tag batteriet ud og henvend dig til dit lokale autoriserede servicecenter angående reparation.

010856

EKSTRAUDSTYR

FORSIGTIG:

- Dette tilbehør eller ekstraudstyr anbefales til brug med det Makita-værktøj, som er beskrevet i denne brugsanvisning. Brug af andet tilbehør eller ekstraudstyr kan forårsage personskade. Brug kun tilbehør eller ekstraudstyr til det formål, det er beregnet til.

Henvend dig til dit lokale Makita-servicecenter, hvis du har brug for hjælp eller yderligere oplysninger vedrørende tilbehøret.

- Nylontrimmerhoved
- Nylonspor (trimmersnor)
- Bæresele

- Unbrakonøgle
- Originalt batteri og oplader fra Makita

BE/MÆRK:

- Visse dele på listen er muligvis indeholdt maskinindpakningen som standardtilbehør. De kan variere fra land til land.

ΕΛΛΗΝΙΚΑ (Πρωτογενείς οδηγίες)

Περιγραφή γενικής όψης

- | | | |
|---|--|-------------------------------|
| 1. Κασέτα μπαταρίας | 19. Πατημένη θέση Β για αφαίρεση χόρτων και θραυσμάτων | 35. Πλευρά κοπτικού εργαλείου |
| 2. Επιλογέας ρύθμισης ταχύτητας | 20. Ένδειξη άστρου | 36. Διαχωριστικό |
| 3. Ενδεικτική λυχνία | 21. Δείκτης μπαταρίας | 37. Αυλακώσεις |
| 4. Κουμπί ισχύος | 22. Ενδεικτικές λυχνίες | 38. Προφυλακτήρας |
| 5. Μοχλός κλειδώματος | 23. Κουμπί ελέγχου | 39. Κοίλο τμήμα |
| 6. Κρεμάστρα (σημείο ανάρτησης) | 24. Η πιο αποτελεσματική περιοχή κοπής | 40. Στήριγμα προφυλακτήρα |
| 7. Λαβή | 25. Ένωση | 41. Προεξοχές |
| 8. Σκανδάλη διακόπτης | 26. Μοχλός κλειδώματος | 42. Τρύπες |
| 9. Προφυλακτήρας | 27. Κάλυμμα ένωσης | 43. Νάιλον κοπτική κεφαλή |
| 10. Προστατευτικό σύρμα | 28. Μοχλός | 44. Μεταλλικό προστατευτικό |
| 11. Κοπτικό εργαλείο | 29. Σωλήνας (Πλευρά κοπτικού εργαλείου) | 45. Ροδέλα υποδοχής |
| 12. Ιμάντας ώμου | 30. Κοίλο τμήμα | 46. Εξαγωνικό κλειδί |
| 13. Καπάκι | 31. Προεξοχή | 47. Πόρπη |
| 14. Κόκκινη ένδειξη | 32. Εξαγωνικά μπουλόνια | 48. Αγκιστρο |
| 15. Κουμπί | 33. Κάλυμμα | 49. Εξάγωνο μπουλόνι |
| 16. Δείκτης ισχύος | 34. Σφιγκτήρες | 50. 80-100 mm |
| 17. Διακόπτης αναστροφής | | |
| 18. Πατημένη θέση Α για κανονική λειτουργία | | |

ΠΡΟΔΙΑΓΡΑΦΕΣ

Μοντέλο	DUR142L	DUR182L	DUR183L
Τύπος σωλήνα	Ενσωματωμένη σωλήνα		Διασπώμενη σωλήνα
Ταχύτητα χωρίς φορτίο	3.500 - 6.000 min ⁻¹		
Συνολικό μήκος με τη νάιλον κοπτική κεφαλή	1.843 mm		
Μήκος διαχωρισμού	—		982 mm
Διάμετρος κοπής με νάιλον κοπτική κεφαλή	300 mm		
Καθαρό βάρος (με BL1430 ή BL1830)	3,8 kg	3,9 kg	4,1 kg
Ονομαστική τιμή τάσης	D.C. 14,4 V		D.C. 18 V
Κανονική κασέτα μπαταρίας και φορτιστής ⚠ Πάντοτε να διατηρείτε τους συνδυασμούς μπαταρίας/φορτιστή των δεξιών στηλών.	BL1415N, BL1430, BL1440, BL1450/DC18RC	BL1815N, BL1820, BL1820B, BL1830, BL1840, BL1840B, BL1850, BL1850B/DC18RC	

- Λόγω του συνεχόμενου προγράμματος που εφαρμόζουμε για έρευνα και ανάπτυξη, τα τεχνικά χαρακτηριστικά στο παρόν έντυπο υπόκεινται σε αλλαγή χωρίς προειδοποίηση.
- Τα τεχνικά χαρακτηριστικά και η μπαταρία ενδέχεται να διαφέρουν από χώρα σε χώρα.
- Βάρος μαζί με την μπαταρία σύμφωνα με τη διαδικασία της EPTA 01/2003

Θόρυβος	Επίπεδο ηχητικής πίεσης		Εφαρμοστέο πρότυπο ή οδηγία
	Μοντέλο	L _{PA} (dB (A))	
	DUR142L	78	1,0
	DUR182L/DUR183L	79	0,7
			2000/14/EK

- Ακόμη και αν το επίπεδο ηχητικής πίεσης που παρατίθεται παραπάνω είναι 80 dB (A) ή μικρότερο, το επίπεδο κατά την εργασία μπορεί να υπερβεί τα 80 dB (A). Να φοράτε ωτοασπίδες.

Δόνηση	Μπροστινή λαβή		Πίσω λαβή		Εφαρμοστέο πρότυπο ή οδηγία
	Μοντέλο	a _h (m/s ²)	Αβεβαιότητα K (m/s ²)	a _h (m/s ²)	
	DUR142L	≤ 2,5	1,5	≤ 2,5	1,5
	DUR182L/DUR183L	≤ 2,5	1,5	≤ 2,5	1,5
					EN786



- Η δηλωθείσα τιμή των παραγομένων κραδασμών έχει καταμετρηθεί σύμφωνα με την τυποποιημένη μέθοδο δοκιμασίας και μπορεί να χρησιμοποιηθεί για την σύγκριση ενός εργαλείου με ένα άλλο.
- Η δηλωθείσα τιμή των παραγομένων κραδασμών μπορεί επίσης να χρησιμοποιηθεί για μια προκαταρκτική αξιολόγηση της έκθεσης στους κραδασμούς.

⚠ ΠΡΟΕΙΔΟΠΟΙΗΣΗ:

- Η εκπομπή κραδασμών κατά τη διάρκεια της πραγματικής χρήσης του ηλεκτρικού εργαλείου μπορεί να διαφέρει από τη δηλωθείσα τιμή των εκπομπών, ανάλογα με τον τρόπο με τον οποίο χρησιμοποιείται το εργαλείο.
- Φροντίστε να λάβετε τα μέτρα ασφαλείας που απαιτούνται για την προστασία του χρήστη που βασίζονται σε μια εκτίμηση της έκθεσης σε πραγματικές συνθήκες χρήσης (λαμβάνοντας υπόψη όλα τα μέρη του κύκλου λειτουργίας, όπως είναι οι περιπτώσεις κατά τις οποίες το εργαλείο είναι απενεργοποιημένο και όταν λειτουργεί στο ρελαντί επιπρόσθετος του χρόνου κατά τον οποίο το εργαλείο βρίσκεται σε χρήση).

Σύμβολα

ENID020-3

Παρακάτω παρουσιάζουν τα σύμβολα που χρησιμοποιούνται για τον εξοπλισμό. Βεβαιωθείτε ότι κατανοείτε τη σημασία τους πριν από τη χρήση.

..... Δώστε ιδιαίτερη φροντίδα και προσοχή.

..... Διαβάστε το εγχειρίδιο οδηγιών.

..... Κίνδυνος, δώστε προσοχή στα αντικείμενα που εκτινάσσονται.

..... Η απόσταση μεταξύ του εργαλείου και των παρευρισκομένων πρέπει να είναι τουλάχιστον 15 μέτρα.

..... Κρατήστε μακριά τους παρευρισκόμενους.

..... Διατηρήστε μια απόσταση τουλάχιστον 15 μέτρα.

..... Να φοράτε κράνος ασφαλείας, προστατευτικά γυαλιά και ωτοασπίδες.

..... Να φοράτε προστατευτικά γάντια.

..... Φοράτε ανθεκτικές μπότες με αντιολισθητικές σόλες. Συνιστανται μπότες ασφαλείας με ενίσχυση στα άκρα των δακτύλων.

..... Μην το εκθέσετε στην υγρασία.

..... Ανώτατη επιτρεπτή ταχύτητα του εργαλείου.

..... Ποτέ μην χρησιμοποιήσετε μεταλλική λάμα.

..... Μόνο για τις χώρες της ΕΕ

Μην απορρίψετε τον ηλεκτρικό εξοπλισμό ή την μπαταρία μαζί με τα οικιακά απορρίμματα!
Σύμφωνα με την Ευρωπαϊκή Οδηγία περί απορριμμάτων ηλεκτρικών, ηλεκτρονικών συσκευών, μπαταριών και συσσωρευτών και των απορριμμάτων μπαταριών και συσσωρευτών και την ενσωματωσή τους στην εθνική νομοθεσία, οι ηλεκτρικές συσκευές, οι μπαταρίες και οι κασέτες μπαταριών, των οποίων έχει παρέλθει ο χρόνος ωφέλιμης ζωής τους, πρέπει να συλλέγονται ξεχωριστά και να επιστρέφονται σε εγκαταστάσεις περιβαλλοντικής ανακύκλωσης.

Για τις ευρωπαϊκές χώρες μόνο

ENH219-3

EK – Δήλωση συμμόρφωσης

H Makita δηλώνει ότι το παρακάτω μηχάνημα(τα):

Όνομασία μηχανήματος:
Χλοκοπτικό μπαταρίας
Αρ. Μοντέλου/Τύπος: DUR142L, DUR182L, DUR183L

Προδιαγραφές: δείτε τον πίνακα "ΠΡΟΔΙΑΓΡΑΦΕΣ".

Συμμορφώνονται με τις ακόλουθες Ευρωπαϊκές Οδηγίες:

2000/14/ΕΚ, 2006/42/ΕΚ

Κατασκευάζονται σύμφωνα με το παρακάτω πρότυπο ή τυποποιημένα έγγραφα:
EN60335

Το τεχνικό αρχείο σύμφωνα με την 2006/42/ΕΚ είναι διαθέσιμο από:

Makita, Jan-Baptist Vinkstraat 2, 3070, Belgium

Η διαδικασία εκτίμησης συμμόρφωσης που απαιτείται από την Οδηγία 2000/14/ΕΚ εκτελέστηκε σύμφωνα με το Παράρτημα VI.

Κοινοποιημένος οργανισμός:

TÜV Rheinland LGA Products GmbH
Tillystraße 2
90431 Nürnberg, Germany
Αριθμός αναγνώρισης 0197

Μοντέλο DUR142L

Μετρημένο επίπεδο ηχητικής ισχύος: 89 dB (A)
Εγγυημένο επίπεδο ηχητικής ισχύος: 90 dB (A)

Μοντέλο DUR182L, DUR183L

Μετρημένο επίπεδο ηχητικής ισχύος: 90 dB (A)
Εγγυημένο επίπεδο ηχητικής ισχύος: 90 dB (A)

31. 12. 2013

Yasushi Fukaya
Διευθυντής

Makita, Jan-Baptist Vinkstraat 2, 3070, Belgium

ΣΗΜΑΝΤΙΚΕΣ ΟΔΗΓΙΕΣ ΑΣΦΑΛΕΙΑΣ

GEB109-3

⚠ ΠΡΟΕΙΔΟΠΟΙΗΣΗ! Διαβάστε όλες τις προειδοποιήσεις ασφαλείας και όλες τις οδηγίες. Αν δεν ακολουθήσετε όλες τις προειδοποιήσεις και τις οδηγίες, υπάρχει κίνδυνος ηλεκτροπληξίας, πυρκαγιάς ή/και σοβαρού τραυματισμού.

Φυλάξτε όλες τις προειδοποιήσεις και τις οδηγίες για μελλοντική αναφορά.

1. Εξοικειωθείτε με τα χειριστήρια και τη σωστή χρήση της συσκευής.
2. Τα κοπτικά στοιχεία συνεχίζουν να περιστρέφονται μετά την απενεργοποίηση του κινητήρα.
3. Ποτέ μην επιτρέψετε την χρήση του μηχανήματος από παιδιά ή από άτομα που δεν γνωρίζουν αυτές τις οδηγίες.
4. Σταματήστε να χρησιμοποιείτε το μηχάνημα όταν βρίσκονται κοντά άλλα άτομα, ιδιαίτερα παιδιά ή κατοικίδια ζώα.
5. Χρησιμοποιήστε το μηχάνημα μόνο κατά τη διάρκεια της ημέρας ή όταν υπάρχει επαρκής τεχνητός φωτισμός.
6. Πριν τη χρήση του μηχανήματος μετά από οποιοδήποτε κτύπημα, ελέγξτε για την ύπαρξη σημαδιών φθοράς ή βλάβης και επισκευάστε αν είναι απαραίτητο.
7. Δώστε προσοχή για την αποφυγή τραυματισμού από την οποιαδήποτε συσκευή που τοποθετείται για το κόψιμο κατά μήκος της μεσηνέζας. Μετά την επέκταση μιας νέας κοπτικής μεσηνέζας, πάντα να επιστρέψετε το μηχάνημα στην κανονική θέση λειτουργίας του πριν από την ενεργοποίηση.
8. Ποτέ μην τοποθετείτε μεταλλικά κοπτικά εργαλεία.
9. Αυτή η συσκευή δεν προορίζεται για χρήση από πρόσωπα (συμπεριλαμβανομένων των παιδιών) που παρουσιάζουν ελαττωμένες φυσικές, αισθητήριες ή διανοητικές ικανότητες ή δεν διαθέτουν εμπειρία και γνώσεις, εκτός και αν τους παρασχεθεί εποπτεία ή οδηγίες σχετικά με τη χρήση της συσκευής από ένα πρόσωπο που είναι υπεύθυνο για την ασφάλειά τους. Τα παιδιά θα πρέπει να εποπτεύονται ώστε να διασφαλιστεί ότι δεν παίζουν με τη συσκευή.
10. Χρησιμοποιείτε το εργαλείο με τη μεγαλύτερη δυνατή φροντίδα και προσοχή.
11. Να χρησιμοποιείτε το εργαλείο μόνο όταν βρίσκεστε σε καλή φυσική κατάσταση. Εκτελέστε όλες τις εργασίες με ηρεμία και προσοχή. Χρησιμοποιήστε την κοινή λογική και έχετε κατά νου ότι ο χρήστης ή ο χειριστής είναι υπεύθυνος για τα ατυχήματα ή τους κινδύνους που προκαλούνται στα άλλα άτομα ή στην ιδιοκτησία τους.
12. Μην κάνετε χρήση αυτού του εργαλείου όταν είσαστε κουρασμένοι, άρρωστοι ή κάτω από την επίδραση του αλκοόλ ή των φαρμάκων.
13. Το εργαλείο θα πρέπει να σβήνει αμέσως στην περίπτωση που εμφανίσει το οποιοδήποτε σήμα ασυνήθιστης λειτουργίας.

Προοριζόμενη χρήση του εργαλείου

1. Να χρησιμοποιείτε το σωστό εργαλείο. Το χλοοκοπτικό μπαταρίας με μπαταρία προορίζεται μόνο για την κοπή γρασιδιού, κοντών χόρτων. Δεν θα πρέπει να χρησιμοποιηθεί για άλλους σκοπούς όπως κοπή άκρων των φρακτών επειδή μπορεί να προκαλέσει τραυματισμό.

Προσωπικός προστατευτικός εξοπλισμός (Εικ. 1 & 2)

1. Να ντύνεστε κατάλληλα. Ο ρουχισμός που φοράτε θα πρέπει να είναι λειτουργικός και κατάλληλος, δηλαδή να είναι εφαρμοστός αλλά να μην σας παρεμποδίζει. Μην φοράτε κοσμήματα ή ρούχα τα οποία μπορούν να πλεχτούν ανάμεσα στο υψηλό γρασίδι. Να φοράτε προστατευτικό κάλυμμα μαλλιών που να κρατά μαζεμένα τα μακριά μαλλιά.
2. Κατά τη χρήση του εργαλείου, πάντοτε να φοράτε ανθεκτικά παπούτσια με αντιολισθητικές σόλες. Αυτά προστατεύουν έναντι των τραυματισμών και διασφαλίζουν το καλό πάτημα.
3. Φοράτε προστατευτικά γυαλιά ή γυαλιά ασφαλείας.

Ηλεκτρική ασφάλεια και ασφάλεια μπαταρίας

1. Να αποφεύγετε τα επικίνδυνα περιβάλλοντα. Να μην χρησιμοποιήσετε το εργαλείο σε υγρά ή νοτιότερες περιοχές και μην το εκθέτετε στη βροχή. Αν εισέλθει νερό στο εργαλείο, αυξάνεται ο κίνδυνος πρόκλησης ηλεκτροπληξίας.
2. Επαναφορτίστε μόνο με τον φορτιστή που καθορίζετε από τον κατασκευαστή. Ένας φορτιστής που είναι κατάλληλος για ένα τύπο κασέτας μπαταρίας μπορεί να προκαλέσει τον κίνδυνο φωτιάς εάν χρησιμοποιηθεί σε ένα άλλο τύπο κασέτας μπαταρίας.
3. Χρησιμοποιήστε τα ηλεκτρικά εργαλεία μόνο με ειδικά καθορισμένες κασέτες μπαταριών. Η χρήση οποιοδήποτε άλλων κασετών μπαταριών μπορεί να δημιουργήσει τον κίνδυνο τραυματισμού και πυρκαγιάς.
4. Όταν η κασέτα μπαταρίας δεν χρησιμοποιείται, φυλάξτε την μακριά από άλλα μεταλλικά αντικείμενα, όπως συνδετήρες, νομίσματα, κλειδιά, καρφιά, βίδες ή άλλα μικρά μεταλλικά αντικείμενα, τα οποία μπορούν να δημιουργήσουν σύνδεση από τον ένα πόλο στον άλλο. Το βραχυκύκλωμα των ακροδεκτών της μπαταρίας μπορεί να προκαλέσει εγκαύματα ή πυρκαγιά.
5. Σε ακραίες συνθήκες μπορεί να πεταχτεί έξω το υγρό της μπαταρίας. Αποφύγετε την επαφή μαζί του. Εάν συμβεί τυχαία επαφή, ξεπλύνετε με νερό. Εάν το υγρό έρθει σε επαφή με τα μάτια, ζητήστε ιατρική βοήθεια. Υγρό που εκτοξεύεται από την μπαταρία μπορεί να προκαλέσει ερεθισμό ή εγκαύματα.
6. Μην απορρίπτετε την μπαταρία(ες) σε εστία φωτιάς. Το στοιχείο μπορεί να εκραγεί. Ελέγξτε τους τοπικούς κώδικες για πιθανές ειδικές οδηγίες απόρριψης.
7. Μην ανοίξετε ή κομματιάσετε τη μπαταρία(ες). Ο απελευθερωμένος ηλεκτρολύτης προκαλεί διάβρωση και μπορεί να προκαλέσει βλάβη στα μάτια ή στο δέρμα. Μπορεί να είναι τοξικός σε περίπτωση κατάποσης.

Θέτοντας σε λειτουργία το εργαλείο (Εικ.3)

1. Φροντίστε να μην υπάρχουν παιδιά ή άλλα άτομα σε απόσταση εργασίας 15 μέτρων (50 πόδια), επίσης δώστε προσοχή στα οποιαδήποτε ζώα μέσα στην περιοχή εργασίας. Διαφορετικά σταματήστε τη χρήση του εργαλείου.
2. Πριν από τη χρήση ελέγχετε πάντοτε ότι το εργαλείο είναι ασφαλές για εργασία. Ελέγξτε την ασφάλεια του κοπτικού εργαλείου και το προφυλακτήρα και τη σκανδάλη διακόπτης/μοχλό για την εύκολη και σωστή λειτουργία του. Ελέγξτε τα χερούλια ώστε να είναι καθαρά και ξηρά και δοκιμάστε τη λειτουργία της εκκίνησης/διακόπτης του διακόπτη.
3. Ελέγξτε για την ύπαρξη φθαρμένων μερών πριν από την περαιτέρω χρήση του εργαλείου. Θα πρέπει να ελέγξετε προσεκτικά για τυχόν ύπαρξη ζημιάς στον προφυλακτήρα ή σε άλλα εξάρτημα για να καθορίσετε ότι θα λειτουργήσουν σωστά και θα πραγματοποιήσουν την προοριζόμενη λειτουργία τους. Ελέγξτε την ευθυγράμμιση των κινούμενων μερών, την στερέωση των κινούμενων μερών, το σπάσιμο εξαρτημάτων, τη στερέωση και οποιαδήποτε άλλη συνθήκη που ενδεχομένως να επηρεάσει τη λειτουργία του εργαλείου. Ένας προφυλακτήρας ή άλλο εξάρτημα με ζημιά θα πρέπει να επισκευαστεί ή να αντικατασταθεί σε εξουσιοδοτημένο κέντρο σέρβις εκτός εάν δηλώνεται διαφορετικά στο παρόν εγχειρίδιο.
4. Ενεργοποιήστε τον κινητήρα μόνο όταν τα χέρια και τα πόδια βρίσκονται μακριά από το κοπτικό εργαλείο.
5. Πριν το ξεκίνημα, βεβαιωθείτε ότι το κοπτικό εργαλείο δεν βρίσκεται σε επαφή με σκληρά αντικείμενα όπως κλαδιά, πέτρες κτλ επειδή το κοπτικό εργαλείο θα περιστραφεί κατά την εκκίνηση.

Μέθοδος λειτουργίας

1. Ποτέ μη λειτουργείτε το μηχάνημα με προφυλακτήρες που έχουν φθαρεί ή αφαιρεθεί.
2. Χρησιμοποιείτε το εργαλείο μόνο σε συνθήκες καλού φωτισμού και ορατότητας. Κατά τη διάρκεια της εποχής του χειμώνα δώστε προσοχή στις περιοχές που είναι υγρές και γλιστρούν, στον πάγο και στο χιόνι (κίνδυνος ολισθηρότητας). Πάντοτε να έχετε ένα ασφαλές πάτημα.
3. Δώστε προσοχή ώστε να μην τραυματιστείτε στα χέρια ή στα πόδια από το κοπτικό εργαλείο.
4. Κρατάτε πάντοτε τα χέρια και τα πόδια σας μακριά από τα κοπτικά μέσα και ιδιαίτερα κατά την ενεργοποίηση του κινητήρα.
5. Ποτέ μην κόβετε επάνω από το ύψος της μέσης σας.
6. Ποτέ να μην λειτουργείτε το εργαλείο όταν είστε ανεβασμένοι πάνω σε σκάλα.
7. Ποτέ να μην εργάζεστε πάνω σε ασταθείς επιφάνειες.
8. Μην τεντώνεστε υπερβολικά. Να στέκεστε πάντοτε σταθερά και ισοροπημένα.
9. Αφαιρέστε την άμμο, τις πέτρες, τα καρφιά κτλ που βρίσκονται μέσα στο εύρος της περιοχής εργασίας. Ξένα σωματίδια μπορούν να προκαλέσουν βλάβη στο κοπτικό εργαλείο και η

εκτόξευσή τους μπορεί να προκαλέσει σοβαρό τραυματισμό.

10. Εάν το κοπτικό εργαλείο χτυπήσει πέτρες ή άλλα σκληρά αντικείμενα, αμέσως κλείστε τον κινητήρα και επιθεωρήστε το κοπτικό εργαλείο.
11. Πριν το ξεκίνημα της κοπής, το κοπτικό εργαλείο θα πρέπει να έχει αποκτήσει την πλήρη ταχύτητα λειτουργίας.
12. Κατά την χρήση, πάντοτε να κρατάτε το εργαλείο γερά με τα δυο σας χέρια. Ποτέ να μην κρατάτε το εργαλείο με το ένα χέρι κατά τη χρήση. Πάντοτε να έχετε ένα ασφαλές πάτημα.
13. Όλος ο προστατευτικός εξοπλισμός όπως οι προφυλακτήρες που παρέχονται με το εργαλείο πρέπει να χρησιμοποιείται κατά τη λειτουργία.
14. Εκτός από την περρίπτωση της έκτακτης ανάγκης, ποτέ μην ρίξετε ή πετάξετε το εργαλείο στο έδαφος επειδή αν το κάνετε αυτό μπορεί να προκληθεί σοβαρή ζημιά στο εργαλείο.
15. Ποτέ να μην σύρετε το εργαλείο στο έδαφος όταν μετακινήστε από ένα μέρος στο άλλο, θα προκληθεί ζημιά στο εργαλείο αν μετακινηθεί με αυτόν τον τρόπο.
16. Πάντοτε να αφαιρείτε τη μπαταρία από το εργαλείο:
 - όποτε αφήνετε το εργαλείο χωρίς επίβλεψη,
 - πριν από το ξεμπλοκάρωμα,
 - πριν από τον έλεγχο, την συντήρηση ή την εκτέλεση εργασίας πάνω στο εργαλείο,
 - πριν κάνετε οποιαδήποτε προσαρμογή, αλλαγή εξαρτημάτων ή αποθήκευση,
 - όποτε το εργαλείο αρχίζει να δονείται με αφύσικο τρόπο,
 - όποτε μεταφέρετε το εργαλείο.
17. Μην ασκείτε δύναμη στο εργαλείο. Θα πραγματοποιήσει την εργασία καλύτερα και με μικρότερο ρίσκο τραυματισμού στο βαθμό για τον οποίο έχει σχεδιαστεί.

Οδηγίες συντήρησης

1. Η κατάσταση του κοπτικού εργαλείου, των προστατευτικών συσκευών και του ιμάντα ώμου θα πρέπει να ελέγχεται πριν από την έναρξη της εργασίας.
2. Κλείστε τον κινητήρα και αφαιρέστε την μπαταρία πριν την εκτέλεση της συντήρησης, κατά την αντικατάσταση του κοπτικού εργαλείου ή κατά τον καθαρισμό του εργαλείου.
3. Μετά τη χρήση, αποσυνδέστε την κασέτα μπαταρίας από το μηχάνημα και ελέγξτε για ύπαρξη τυχόν φθοράς.
4. Ελέγξτε για την ύπαρξη ξεσφιγμένων σφικτήρων και εξαρτημάτων που παρουσιάζουν φθορά όπως ρωγμές στο μέσον του κοπτικού εργαλείου.
5. Όταν δεν χρησιμοποιείτε το εργαλείο, θα πρέπει να το αποθηκεύετε σε ένα στεγνό μέρος που είναι κλειδωμένο ή μη προσβάσιμο στα παιδιά.
6. Χρησιμοποιήστε μόνο τα συνιστώμενα από τον κατασκευαστή ανταλλακτικά και αξεσουάρ.
7. Πάντοτε να διασφαλίζετε ότι οι οπές εξαιρετισμού δεν είναι μπλοκαρισμένες από θραύσματα.
8. Επιθεωρείτε και συντηρείτε το εργαλείο τακτικά, ειδικά πριν/μετά την χρήση. Η επιδιόρθωση του εργαλείου πρέπει να γίνεται μόνο από ένα εξουσιοδοτημένο κέντρο σέρβις.

9. Να διατηρείτε τα χερούλια στεγνά, καθαρά, χωρίς λάδι και γράσο.

ΦΥΛΑΞΤΕ ΑΥΤΕΣ ΤΙΣ ΟΔΗΓΙΕΣ.

⚠ ΠΡΟΕΙΔΟΠΟΙΗΣΗ:

ΜΗΝ επιτρέψετε στη βολικότητα ή στην εξοικειωσή σας με το προϊόν (που αποκλήθηκε από επανειλημμένη χρήση) να αντικαταστήσει την αυστηρή προσήλωση στους κανόνες ασφαλείας του εν λόγω προϊόντος. Η ΛΑΝΘΑΣΜΕΝΗ ΧΡΗΣΗ ή η μη τήρηση των κανόνων ασφαλείας που διατυπώνονται στο παρόν εγχειρίδιο οδηγιών μπορεί να προκαλέσει σοβαρό τραυματισμό.

ΣΗΜΑΝΤΙΚΕΣ ΟΔΗΓΙΕΣ ΑΣΦΑΛΕΙΑΣ

ENC007-9

ΓΙΑ ΤΗΝ ΜΠΑΤΑΡΙΑ

1. Πριν χρησιμοποιήσετε την μπαταρία, διαβάστε όλες τις οδηγίες και τις ενδείξεις προφύλαξης στο (1) φορτιστή μπαταρίας, (2) την μπαταρία και (3) το προϊόν στο οποίο χρησιμοποιείται η μπαταρία.
2. Μην αποσυρμαρμολογείτε την μπαταρία.
3. Αν ο χρόνος λειτουργίας της μπαταρίας είναι υπερβολικά σύντομος, διακόψτε αμέσως τη λειτουργία. Αν συνεχίσετε, μπορεί να έχει ως αποτέλεσμα τον κίνδυνο υπερθέρμανσης, πιθανών εγκαυμάτων και ακόμη έκρηξης.
4. Αν μπει στα μάτια σας ηλεκτρολύτης, ξεπλύνετε με καθαρό νερό και αναζητήστε αμέσως ιατρική βοήθεια. Μπορεί να χάσετε την όρασή σας.
5. Μην βραχυκυκλώνετε την μπαταρία:
 - (1) Μην αγγίζετε τους ακροδέκτες με αγωγίμο υλικό.
 - (2) Μην αποθηκεύετε την μπαταρία σε δοχείο με άλλα μεταλλικά αντικείμενα, όπως καρφιά, νομίσματα, κτλ.
 - (3) Μην εκθέτετε την μπαταρία σε νερό ή βροχή. Αν βραχυκυκλωθεί η μπαταρία, μπορεί να προκληθεί μεγάλη ροή ηλεκτρικού ρεύματος, υπερθέρμανση, πιθανά εγκαύματα και ακόμη και καταστροφή της μπαταρίας.
6. Μην αποθηκεύετε το εργαλείο και την μπαταρία σε μέρη όπου η θερμοκρασία μπορεί να φτάσει ή να ξεπεράσει τους 50°C (122°F).
7. Μην αποτεφρώνετε την μπαταρία ακόμη κι αν παρουσιάζει σοβαρή ζημιά ή είναι εντελώς φθαρμένη. Η μπαταρία μπορεί να εκραγεί σε φωτιά.
8. Να προσέχετε να μη σας πέσει η μπαταρία και να μη συγκρουστεί με κάποιο αντικείμενο.
9. Μην χρησιμοποιείτε μια μπαταρία που έχει υποστεί βλάβη.
10. Ακολουθήστε τους τοπικούς κανονισμούς σχετικά με την απόρριψη της μπαταρίας.

ΦΥΛΑΞΤΕ ΑΥΤΕΣ ΤΙΣ ΟΔΗΓΙΕΣ.

Συμβουλές για τη διατήρηση της μέγιστης ζωής της μπαταρίας

1. Να φορτίζετε την μπαταρία πριν αποφορτιστεί εντελώς.
Πάντοτε να διακόπτετε τη λειτουργία του εργαλείου και να φορτίζετε την μπαταρία όταν παρατηρείται μειωμένη ισχύ του εργαλείου.
2. Ποτέ μην επαναφορτίζετε μια πλήρως φορτισμένη μπαταρία.
Αν υπερφορτίσετε την μπαταρία, μειώνεται η ωφέλιμη διάρκεια ζωής της.
3. Να φορτίζετε την μπαταρία σε θερμοκρασία δωματίου, δηλαδή στους 10°C έως 40°C (50°F έως 104°F). Αν η μπαταρία είναι θερμή, αφήστε την να ψυχθεί πριν τη φορτίσετε.
4. Φορτίστε την κασέτα μπαταρίας εάν δεν πρόκειται να την χρησιμοποιήσετε για περισσότερους από έξι μήνες.

Περιγραφή εξαρτημάτων (Εικ. 4)

ΠΕΡΙΓΡΑΦΗ ΛΕΙΤΟΥΡΓΙΑΣ

⚠ ΠΡΟΕΙΔΟΠΟΙΗΣΗ:

- Να βεβαιώνεστε πάντοτε ότι έχετε σβήσει το εργαλείο και έχετε βγάλει την μπαταρία πριν ρυθμίσετε ή ελέγξετε τις λειτουργίες του εργαλείου. Αν δεν σβήσετε το εργαλείο και δεν αφαιρέσετε την μπαταρία από το εργαλείο μπορεί να προκληθεί σοβαρός προσωπικός τραυματισμός από τυχαία εκκίνηση.

Τοποθέτηση ή αφαίρεση της κασέτας μπαταρίας (Εικ. 5)

⚠ ΠΡΟΣΟΧΗ:

- Πάντοτε να απενεργοποιείτε το εργαλείο πριν από την τοποθέτηση ή την αφαίρεση της κασέτας μπαταρίας.
- Κρατήστε το εργαλείο και την κασέτα μπαταρίας γερά κατά την τοποθέτηση ή την αφαίρεση της κασέτας μπαταρίας. Εάν δεν κρατήσετε το εργαλείο και την μπαταρία καλά μπορεί να γλιστρήσουν από τα χέρια σας και να προκληθεί ζημιά στο εργαλείο και στη μπαταρία αλλά και προσωπικός τραυματισμός.

Για να βγάλετε την κασέτα μπαταρίας, σύρετε την από το εργαλείο ολισθαίνοντας το κουμπί στο μπροστινό μέρος της κασέτας.

Για να τοποθετήσετε την κασέτα μπαταρίας, ευθυγραμμίστε τη γλωττίδα της κασέτας μπαταρίας με την αυλάκωση στο περίβλημα και ολισθήστε τη στη θέση της. Τοποθετήστε τη έως το τέρμα, δηλαδή έως όπου ασφαλίσει στη θέση και ακουστεί ένας χαρακτηριστικός ήχος «κλικ». Αν μπορείτε να δείτε την κόκκινη ένδειξη στην πάνω πλευρά του κουμπιού, η μπαταρία δεν είναι πλήρως ασφαλισμένη.

⚠ ΠΡΟΣΟΧΗ:

- Πάντοτε να τοποθετείτε πλήρως την κασέτα μπαταρίας για να μη φαίνεται η κόκκινη ένδειξη. Σε αντίθετη περίπτωση, μπορεί να πέσει κατά λάθος από το εργαλείο και να τραυματίσει εσάς ή κάποιον παρευρισκόμενο.

- Μην εισάγετε με τη βία την κασέτα μπαταρίας. Αν η κασέτα δεν ολισθαίνει με ευκολία, δεν την εισαγάγετε σωστά.

Δράση διακόπτη ρεύματος

ΠΡΟΕΙΔΟΠΟΙΗΣΗ:

- Πριν την τοποθέτηση της μπαταρίας στο εργαλείο, πάντοτε να ελέγχετε ότι η σκανδάλη-διακόπτης ενεργοποιείται κανονικά και επιστρέφει στη θέση “OFF” όταν την αφήνετε. Μην τραβάτε δυνατά τη σκανδάλη-διακόπτης χωρίς να περιστρέψετε το μοχλό κλειδώματος. Αυτό μπορεί να προκαλέσει το σπάσιμο του διακόπτη. Η λειτουργία ενός εργαλείου με ένα διακόπτη που δεν ενεργοποιείται σωστά μπορεί να οδηγήσει στην απώλεια του ελέγχου και το σοβαρό προσωπικό τραυματισμό. (Εικ. 6)

Πιέστε το κουμπύ ισχύος στο περίβλημα έτσι ώστε να ενεργοποιηθεί το εργαλείο και να ανάψουν τα φώτα του δείκτη ισχύος. (Εικ. 7)

Για να μην τραβήξετε τη σκανδάλη-διακόπτης κατά λάθος, υπάρχει ένας μοχλός κλειδώματος.

Για να ξεκινήσετε τη λειτουργία του εργαλείου, πιέστε το μοχλό κλειδώματος και στη συνέχεια τραβήξτε τη σκανδάλη-διακόπτης. Για να σταματήσετε το εργαλείο, αφήστε τη σκανδάλη-διακόπτης.

ΣΗΜΕΙΩΣΗ:

- Μετά το πάτημα του κουμπιού ισχύος και την παραμονή του εργαλείου χωρίς οποιοσδήποτε λειτουργίες, το εργαλείο απενεργοποιείται αυτόματα.

Διακόπτης αναστροφής για αφαίρεση θραυσμάτων

ΠΡΟΕΙΔΟΠΟΙΗΣΗ:

- Να βεβαιώνετε πάντοτε ότι έχετε σβήσει τη συσκευή και έχετε βγάλει την μπαταρία πριν αφαιρέσετε τα χόρτα ή τα μπλεχμένα θραύσματα από το εργαλείο, τα οποία δεν μπορούν να αφαιρεθούν με την αναστροφή λειτουργία. Αν δεν σβήσετε το εργαλείο και δεν αφαιρέσετε την μπαταρία από το εργαλείο μπορεί να προκληθεί σοβαρός προσωπικός τραυματισμός από τυχαία εκκίνηση. (Εικ. 8)

Το εργαλείο αυτό διαθέτει διακόπτη αναστροφής που παρέχεται μόνο για την αλλαγή της κατεύθυνσης περιστροφής για την αφαίρεση των χόρτων που έχουν μπλεχτεί στο εργαλείο. Για να λειτουργήσετε το εργαλείο κανονικά, πρέπει να πιέσετε την “Α” πλευρά του διακόπτη. Για την αφαίρεση των χόρτων και των θραυσμάτων που έχουν μπλεχτεί μέσα στην κεφαλή περιστροφής, θα πρέπει να αναστραφεί το εργαλείο πιέζοντας την πλευρά “Β” στο διακόπτη. Στη θέση αναστροφής, το εργαλείο θα λειτουργήσει μόνο για μια σύντομη χρονική περίοδο και αυτόματα θα απενεργοποιηθεί.

ΕΙΔΟΠΟΙΗΣΗ:

- Πριν από τη λειτουργία, να ελέγχετε πάντοτε την κατεύθυνση περιστροφής.
- Να χρησιμοποιείτε το διακόπτη αναστροφής μόνο όταν το εργαλείο είναι εντελώς ακινητοποιημένο. Αν αλλάξετε την κατεύθυνση περιστροφής πριν ακινητοποιηθεί το εργαλείο, μπορεί να προκληθεί βλάβη στο εργαλείο.

Επιλογέα ρύθμισης ταχύτητας (Εικ. 9)

Η ταχύτητα του εργαλείου μπορεί να ρυθμιστεί απεριόριστα από τις 3.500 min⁻¹ έως τις 6.000 min⁻¹ από τον επιλογέα ρύθμισης ταχύτητας. Περιστρέψτε τον επιλογέα ρύθμισης ταχύτητας δεξιόστροφα για να αυξήσετε την ταχύτητα και αριστερόστροφα για να τη μειώσετε.

Σύστημα προστασίας μπαταρίας (Μπαταρία ιόντων λιθίου με την ένδειξη άστρου) (Εικ. 10)

Οι μπαταρίες ιόντων λιθίου με ένδειξη άστρου είναι εφοδιασμένες με ένα σύστημα προστασίας. Αυτό το σύστημα διακόπτει αυτόματα το ρεύμα στο εργαλείο για να παρατείνεται η διάρκεια ζωής της μπαταρίας. Το εργαλείο θα σταματήσει αυτόματα κατά τη λειτουργία όταν το εργαλείο και/ή η μπαταρία υποστούν τις παρακάτω συνθήκες:

- Υπερφόρτιση: Το εργαλείο λειτουργεί με τρόπο που προκαλεί την κατανάλωση ασυνήθιστα υψηλής ποσότητας ρεύματος. Στην περίπτωση αυτή, ελευθερώστε τη σκανδάλη διακόπτης του εργαλείου και σταματήστε την εφαρμογή που προκάλεσε την υπερφόρτωση του εργαλείου. Στη συνέχεια, τραβήξτε τη σκανδάλη-διακόπτης ξανά για επανεκκίνηση. Εάν το εργαλείο δεν ξεκινά, η μπαταρία έχει υπερθερμανθεί. Στην περίπτωση αυτή, αφήστε την μπαταρία να κρυώσει πριν τραβήξετε τη σκανδάλη-διακόπτης ξανά.
- Χαμηλή τάση μπαταρίας: Η εναπομείνουσα ποσότητα ρεύματος της μπαταρίας είναι πολύ χαμηλή και το εργαλείο δεν θα λειτουργήσει. Σε αυτήν την περίπτωση, αφαιρέστε και επαναφορτίστε τη μπαταρία.

Ενδεικτικές λυχνίες (Εικ. 11)

Όταν λειτουργεί το σύστημα προστασίας κατά τη λειτουργία, ανάβουν οι λάμπες. Ανατρέξτε στον παρακάτω πίνακα για την κατάσταση της ενδεικτικής λυχνίας και τις ενέργειες που πρέπει να γίνουν.

Δείκτης ισχύος	Δείκτης μπαταρίας	Κατάσταση	Ενέργεια που πρέπει να γίνει
	Αναβοσβήνει	Η ισχύς της μπαταρίας έχει σχεδόν εξαντληθεί.	Αντικαταστήστε την μπαταρία με μια πλήρως φορτισμένη.
	Ανάβει	Το σύστημα προστασίας της μπαταρίας διακόπτει το ρεύμα - η ισχύς της μπαταρίας έχει εξαντληθεί.	Αντικαταστήστε την μπαταρία με μια πλήρως φορτισμένη.
Αναβοσβήνει		Το σύστημα προστασίας υπερφόρτισης διακόπτει το ρεύμα - υπερφόρτιση.	Ξεκουράστε και ψύξτε τη συσκευή για λίγο.

013900

Ένδειξη της εναπομένουσας χωρητικότητας της μπαταρίας

(Μόνο για τις κασέτες μπαταρίας με "B" στο τέλος του αριθμού μοντέλου.) (Εικ. 12)

Πατήστε το κουμπί ελέγχου στην κασέτα μπαταρίας για να εμφανιστεί η υπολειπόμενη χωρητικότητα της μπαταρίας. Οι ενδεικτικές λυχνίες θα ανάψουν για μερικά δευτερόλεπτα.

Ενδεικτικές λυχνίες			Εναπομένουσα χωρητικότητα
Αναμμένες	Σβηστές	Αναβοσβήνουν	
			75% έως 100%
			50% έως 75%
			25% έως 50%
			0% έως 25%
			Φορτίστε τη μπαταρία.
			Η μπαταρία μπορεί να δυσλειτουργεί.

015658

ΣΗΜΕΙΩΣΗ:

- Ανάλογα με τις συνθήκες χρήσης και τη θερμοκρασία περιβάλλοντος, η ένδειξη μπορεί να διαφέρει ελαφρώς από την πραγματική χωρητικότητα.

Νάιλον κοπτική κεφαλή

ΕΙΔΟΠΟΙΗΣΗ:

- Μην προσπαθήσετε να τροφοδοτήσετε την κεφαλή κτυπώντας την όταν το εργαλείο λειτουργεί στις υψηλές ΣΑΛ (Στροφές ανά λεπτό). Η τροφοδοσία με κτύπημα στις υψηλές ΣΑΛ (Στροφές ανά λεπτό) μπορεί να προκαλέσει ζημιά στην νάιλον κοπτική κεφαλή.
- Η τροφοδοσία με κτύπημα δεν θα λειτουργήσει σωστά εάν η κεφαλή δεν περιστρέφεται. (Εικ. 13)

Η νάιλον κοπτική κεφαλή είναι μια διπλή κοπτική κεφαλή χλοοκοπτικού με ένα μηχανισμό πρόσκρουσης & τροφοδοσίας.

Για να προκληθεί η τροφοδοσία της νάιλον μεσηνέζας, η κεφαλή κοπής πρέπει να κτυπηθεί έναντι του εδάφους όταν λειτουργεί στις χαμηλές ΣΑΛ (Στροφές ανά λεπτό).

ΣΗΜΕΙΩΣΗ:

Εάν η νάιλον μεσηνέζα δεν τροφοδοτείται με το χτύπημα της κεφαλής, επαναυλίξτε/αντικαταστήστε τη νάιλον μεσηνέζα ακολουθώντας τις διαδικασίες που περιγράφονται στην ενότητα "Συντήρηση".

ΣΥΝΑΡΜΟΛΟΓΗΣΗ

⚠ ΠΡΟΕΙΔΟΠΟΙΗΣΗ:

- Να βεβαιώνετε πάντοτε ότι έχετε σβήσει το εργαλείο και έχετε βγάλει την μπαταρία πριν εκτελέσετε οποιαδήποτε εργασία σε αυτό.** Αν δεν σβήσετε το εργαλείο και δεν αφαιρέσετε την μπαταρία από το εργαλείο μπορεί να προκληθεί σοβαρός προσωπικός τραυματισμός από τυχαία εκκίνηση.
- Ποτέ να μην ξεκινάτε το εργαλείο εκτός και αν είναι πλήρως συναρμολογημένο.** Αν το εργαλείο είναι μερικώς συναρμολογημένο τότε μπορεί να προκληθεί σοβαρός προσωπικός τραυματισμός από τυχαία εκκίνηση.

Τοποθέτηση του σωλήνα σύνδεσης

Μόνο για το μοντέλο DUR183L (Εικ. 14)

Στρέψω της το προσάρτημα σε μια μονάδα ισχύος:

- Βεβαιωθείτε ότι ο μοχλός δεν είναι σφιγμένος.
- Για να ανοίξει η είσοδος της ένωσης, πατήστε το κάλυμμα της ένωσης. (Εικ. 15)
- Ευθυγραμμίστε την προεξοχή πάνω στο σωλήνα (πλευρά κοπτικού εργαλείου) με το κοίλο τμήμα του τμήματος της άρθρωσης.
- Εισάγετε τη σωλήνα σύνδεσης μέσα στο τμήμα της ένωσης. Βεβαιωθείτε ότι η επιφάνεια του μοχλού κλειδώματος είναι οριζόντια ως προς το σωλήνα.
- Ξεσφίξτε το μοχλό γερά όπως φαίνεται.

Για να αφαιρέσετε το προσάρτημα, ξεσφίξτε το μοχλό, πιέστε το μπροστινό τμήμα του μοχλού κλειδώματος και στη συνέχεια ολισθήστε το σωλήνα.

Τοποθέτηση της λαβής (Εικ. 16)

Τοποθετήστε τη λαβή πάνω στον σωλήνα μετάδοσης κίνησης και σφίξτε τη με δυο εξάγωνα μπουλόνια.

Φροντίστε ώστε το διαχωριστικό στον σωλήνα μετάδοσης κίνησης να είναι τοποθετημένο στο συγκρότημα λαβής και στην άλλη λαβή. Μην αφαιρέσετε ή συμπιύξετε το διαχωριστικό.

⚠️ ΠΡΟΣΟΧΗ:

- Για το μοντέλο DUR183L, ποτέ μην τοποθετήσετε τη λαβή στην ένωση.

Τοποθέτηση του προφυλακτήρα

⚠️ ΠΡΟΕΙΔΟΠΟΙΗΣΗ:

- **Ποτέ να μην λειτουργήσετε το εργαλείο χωρίς τον προφυλακτήρα που δείχνεται στην θέση του.** Αν δεν το κάνετε αυτό, μπορεί να προκληθεί σοβαρός προσωπικός τραυματισμός. **(Εικ. 17 και 18)**
- Ευθυγραμμίστε τις προεξοχές στο προφυλακτήρα με τις αυλακώσεις του περιβλήματος του μοτέρ. **(Εικ. 19)**
- Ευθυγραμμίστε τις προεξοχές στο στήριγμα προφυλακτήρα με το κόιλο τμήμα του περιβλήματος του μοτέρ. Εισάγετε το στήριγμα προφυλακτήρα στο περίβλημα του μοτέρ. **(Εικ. 20)**
- Μετά τη σύνδεση του προφυλακτήρα και του στηρίγματος του προφυλακτήρα στο περίβλημα του προφυλακτήρα, σφίξτε τα εξαγωνικά μπουλόνια σταθερά.

Τοποθέτηση του προστατευτικού σύρματος

⚠️ ΠΡΟΣΟΧΗ:

- Πριν προσαρμόσετε το προστατευτικό σύρμα περιμένετε να σταματήσει η κοπτική κεφαλή. Μην προσαρμόσετε το προστατευτικό σύρμα με το πόδι σας. **(Εικ. 21)**

Για να μειώσετε τον κίνδυνο πρόκλησης φθοράς στα αντικείμενα μπροστά από την κοπτική κεφαλή, τοποθετήστε το προστατευτικό σύρμα έτσι ώστε να ελέγχει το εύρος κοπής της γραμμής κοπής. **(Εικ. 22)**

Προεκτείνετε ελαφρά το προστατευτικό σύρμα προς τα έξω και στη συνέχεια εισάγετέ το μέσα στις τρύπες του προφυλακτήρα.

ΣΗΜΕΙΩΣΗ:

- Μην σπρώχνετε υπερβολικά το προστατευτικό σύρμα προς τα έξω. Διαφορετικά μπορεί να σπάσει. **(Εικ. 23)**
- Όταν δεν χρησιμοποιείται το προστατευτικό σύρμα, ανυψώστε το στην αδρανή θέση.

Τοποθέτηση της νάιλον κοπτικής κεφαλής

ΕΙΔΟΠΟΙΗΣΗ:

- Φροντίστε να χρησιμοποιήσετε μια αυθεντική νάιλον κοπτική κεφαλή της Makita.

Αναποδογυρίστε το εργαλείο ώστε να μπορείτε εύκολα να αντικαταστήσετε τη νάιλον κοπτική κεφαλή. **(Εικ. 24)**

Βάλτε το εξαγωνικό κλειδί μέσα στην τρύπα στο κάλυμμα του προφυλακτήρα και στο περίβλημα του μοτέρ και περιστρέψτε τη ροδέλα υποδοχής έως ότου κλειδώσει με το εξαγωνικό κλειδί. Στερεώστε το μεταλλικό προστατευτικό, την νάιλον κοπτική κεφαλή πάνω στον άξονα που διαθέτει σπειρωμα και σφίξτε την περιστρέφοντας την αριστερόστροφα. Αφαιρέστε το εξαγωνικό κλειδί.

Για να αφαιρέσετε την νάιλον κοπτική κεφαλή, περιστρέψτε την νάιλον κοπτική κεφαλή δεξιόστροφα

καθώς κρατάτε τη ροδέλα υποδοχής με το εξαγωνικό κλειδί.

⚠️ ΠΡΟΣΟΧΗ:

- **Εάν κατά τη λειτουργία η νάιλον κοπτική κεφαλή κτυπήσει κατά λάθος ένα βράχο ή ένα σκληρό αντικείμενο το κοπτικό θα πρέπει να σταματήσει και να επιθεωρηθεί για την ύπαρξη ζημιάς. Εάν πάθει ζημιά η νάιλον κοπτική κεφαλή τότε θα πρέπει να αντικατασταθεί αμέσως.** Η χρήση μιας νάιλον κοπτικής κεφαλής που έχει υποστεί ζημιά μπορεί να προκαλέσει σοβαρό προσωπικό τραυματισμό.

ΛΕΙΤΟΥΡΓΙΑ

Σωστός χειρισμός του μηχανήματος

Στερέωση του ιμάντα ώμου (Εικ. 25)

Φορέστε τον ιμάντα ώμου. Στη συνέχεια, συνδέστε τις πόρτες τόσο στο άγκιστρο όσο και στον ιμάντα. Βεβαιωθείτε ότι οι πόρτες κάνουν κλικ και ασφαλίζουν εντελώς στη θέση τους.

Μόνο για το μοντέλο DUR183L (Εικ. 26)

Όταν δεν χρησιμοποιείται το καπάκι κρεμάστε το στο άγκιστρο.

Αποσύνδεση (Εικ. 27)

Η πόρπη διαθέτει μέσο άμεσης απελευθέρωσης. Απλά πιέστε τις πλευρές και την πόρπη για να ελευθερώσετε το εργαλείο.

⚠️ ΠΡΟΕΙΔΟΠΟΙΗΣΗ:

- **Δώστε μεγάλη προσοχή για να διατηρήσετε πάντοτε τον έλεγχο του εργαλείου. Μην επιτρέψετε στο εργαλείο να εκτραπεί προς τα εσάς ή προς τον οποιοδήποτε στην περιοχή εργασίας.** Αν δεν το κάνετε αυτό, το εργαλείο μπορεί να προκαλέσει σοβαρό τραυματισμό στους παρευρισκόμενους και στον χειριστή.

Ρύθμιση της θέσης του αναρτήρα και του ιμάντα ώμου (Εικ. 28)

Για να αλλάξετε την θέση του αναρτήρα, ξεσφίξτε το εξαγωνικό μπουλόνι πάνω στον αναρτήρα με το παρεχόμενο κλειδί. Στη συνέχεια μετακινήστε τον αναρτήρα.

Μετά τη ρύθμιση της θέσης του αναρτήρα, σφίξτε το εξαγωνικό μπουλόνι γερά με το κλειδί.

ΣΥΝΤΗΡΗΣΗ

⚠️ ΠΡΟΕΙΔΟΠΟΙΗΣΗ:

- **Να βεβαιώνετε πάντοτε ότι έχετε σβήσει το εργαλείο και έχετε βγάλει την μπαταρία πριν εκτελέσετε οποιαδήποτε εργασία ελέγχου ή συντήρησης σε αυτό.** Αν δεν σβήσετε το εργαλείο και δεν αφαιρέσετε την μπαταρία από το εργαλείο μπορεί να προκληθεί σοβαρός προσωπικός τραυματισμός από τυχαία εκκίνηση.

ΕΙΔΟΠΟΙΗΣΗ:

Μην χρησιμοποιήσετε βενζίνη, βενζόλη, διαλυτικό, αλκοόλη ή κάτι παρόμοιο. Μπορεί να προκληθεί αποχρωματισμός, παραμόρφωση ή ρωγμές.

Αντικατάσταση του νάilon νήματος

ΠΡΟΕΙΔΟΠΟΙΗΣΗ:

- Φροντίστε ώστε το κάλυμμα της νάilon κοπτικής κεφαλής να είναι στερεωμένο κατάλληλα στη θήκη όπως περιγράφεται παρακάτω. Αν δεν ασφαλίσετε κατάλληλα το κάλυμμα, μπορεί να προκληθεί η εκτόξευση της νάilon κοπτικής κεφαλής προκαλώντας το σοβαρό προσωπικό τραυματισμό. **(Εικ. 29)**

Αφαιρέστε το κάλυμμα από την υποδοχή πιέζοντας τα δυο μάνταλα που είναι δυο τμήματα με εγκοπή απέναντι το ένα από το άλλο στην πλευρά του περιβλήματος.

(Εικ. 30)

Κόψτε το νάilon μεσηνέζα στα 3-6 m. Διπλώστε τη κοπτική μεσηνέζα σε δυο μισά, αφήστε το ένα μισό μακρύτερο κατά 80-100 mm από το άλλο. **(Εικ. 31)**

Αγκιστρώστε το κέντρο της καινούργιας νάilon μεσηνέζας στην εγκοπή στο κέντρο του καρουλιού ανάμεσα στα 2 κανάλια που παρέχονται για τη νάilon μεσηνέζα.

Τυλίξτε και τα δυο άκρα καλά γύρω από το καρούλι προς τη διεύθυνση που δείχνεται πάνω στην κεφαλή για αριστερόστροφη κατεύθυνση που υποδεικνύεται από το LH. **(Εικ. 32)**

Τυλίξτε γύρω όλο το νήμα εκτός από ένα μήκος 100 mm, αφήνοντας προσωρινά τα αγκιστρωμένα άκρα μέσα στην εγκοπή στο πλάι του καρουλιού. **(Εικ. 33)**

Στερεώστε το καρούλι πάνω στο κάλυμμα έτσι ώστε οι αυλακώσεις και οι προεξοχές στο καρούλι να ταιριάζουν με αυτές στο κάλυμμα. Τώρα, απαγκιστρώστε τα άκρα της μεσηνέζας από την προσωρινή τους θέση και περάστε τις μεσηνέζες μέσα στα οφθαλμίδια για να βγουν έξω από το κάλυμμα. **(Εικ. 34)**

Ταιριάστε την προεξοχή στην κάτω πλευρά του καλύμματος με τις εγκοπές των οφθαλμιδίων. Στη συνέχεια σπρώξτε το κάλυμμα καλά πάνω στη θήκη για το ασφαλίσετε. Φροντίστε ώστε τα μάνταλα να εκτίνονται πλήρως πάνω στο κάλυμμα.

Για να διατηρείται η ΑΣΦΑΛΕΙΑ και η ΑΞΙΟΠΙΣΤΙΑ του προϊόντος, οι εργασίες επισκευής, καθώς και οποιαδήποτε άλλη εργασία συντήρησης ή ρύθμισης, θα πρέπει να εκτελούνται σε εξουσιοδοτημένα κέντρα εξυπηρέτησης της Makita, και πάντοτε με τη χρήση ανταλλακτικών της Makita.

ΕΠΙΛΥΣΗ ΠΡΟΒΛΗΜΑΤΩΝ

Πριν ζητήσετε επισκευές, προβείτε πρώτα στον δικό σας έλεγχο. Εάν βρείτε κάποιο πρόβλημα που δεν επεξηγείται στο εγχειρίδιο, μην προσπαθήσετε να αποσυναρμολογήσετε τη συσκευή. Ανταυτού, επικοινωνήστε με τα εξουσιοδοτημένα κέντρα εξυπηρέτησης της Makita και πάντοτε χρησιμοποιήστε τα ανταλλακτικά της Makita για τις επισκευές.

Κατάσταση δυσλειτουργίας	Αιτία	Δράση
Ο κινητήρας δεν λειτουργεί.	Δεν είναι τοποθετημένη η μπαταρία.	Τοποθετήστε τη μπαταρία.
	Πρόβλημα μπαταρίας (υπόταση)	Επαναφορτίστε τη μπαταρία. Εάν η επαναφόρτιση δεν είναι αποτελεσματική, αντικαταστήστε την μπαταρία.
	Το σύστημα κίνησης δεν λειτουργεί σωστά.	Απευθυνθείτε στο τοπικό σας εξουσιοδοτημένο κέντρο σέρβις για την επισκευή.
Ο κινητήρας σταματά να λειτουργεί μετά από σύντομη χρήση.	Αντίστροφη περιστροφή.	Αλλάξτε την διεύθυνση περιστροφής με το διακόπτη αναστροφής.
	Το επίπεδο φόρτισης της μπαταρίας είναι χαμηλό.	Επαναφορτίστε τη μπαταρία. Εάν η επαναφόρτιση δεν είναι αποτελεσματική, αντικαταστήστε την μπαταρία.
	Υπερθέρμανση.	Σταματήστε τη χρήση του εργαλείου και αφήστε το να κρυώσει.
Δεν επιτυγχάνει τις μέγιστες ΣΑΛ (Στροφές ανά λεπτό).	Η μπαταρία δεν έχει τοποθετηθεί σωστά.	Τοποθετήστε την μπαταρία όπως έχει περιγραφεί σε αυτόν τον οδηγό.
	Η ισχύς της μπαταρίας ελαττώνεται.	Επαναφορτίστε τη μπαταρία. Εάν η επαναφόρτιση δεν είναι αποτελεσματική, αντικαταστήστε την μπαταρία.
	Το σύστημα κίνησης δεν λειτουργεί σωστά.	Απευθυνθείτε στο τοπικό σας εξουσιοδοτημένο κέντρο σέρβις για την επισκευή.
Το κοπτικό εργαλείο δεν περιστρέφεται: Σταματήστε το μηχάνημα αμέσως!	Ένα ξένο αντικείμενο όπως ένα κλαδί έχει μπλοκάρει μεταξύ του προφυλακτήρα και της νάilon κοπτικής κεφαλής.	Αφαιρέστε το ξένο αντικείμενο.
	Το σύστημα κίνησης δεν λειτουργεί σωστά.	Απευθυνθείτε στο τοπικό σας εξουσιοδοτημένο κέντρο σέρβις για την επισκευή.
Ανώμαλη δόνηση: Σταματήστε το μηχάνημα αμέσως!	Το ένα άκρο της νάilon μεσηνέζας έχει σπάσει.	Κτυπήστε την νάilon κοπτική κεφαλή στο έδαφος καθώς αυτή περιστρέφεται για να προκληθεί η τροφοδοσία της μεσηνέζας.
	Το σύστημα κίνησης δεν λειτουργεί σωστά.	Απευθυνθείτε στο τοπικό σας εξουσιοδοτημένο κέντρο σέρβις για την επισκευή.
Το κοπτικό εργαλείο και ο κινητήρας δεν σταματούν: Αφαιρέστε τη μπαταρία αμέσως!	Ηλεκτρική ή ηλεκτρονική δυσλειτουργία.	Αφαιρέστε την μπαταρία και επικοινωνήστε με το τοπικό σας εξουσιοδοτημένο κέντρο σέρβις για την επισκευή.

010856

ΠΡΟΑΙΡΕΤΙΚΑ ΑΞΕΣΟΥΑΡ

ΠΡΟΣΟΧΗ:

- Συνιστάται η χρήση αυτών των αξεσουάρ ή εξαρτημάτων με το εργαλείο της Makita, όπως περιγράφεται στο παρόν εγχειρίδιο. Αν χρησιμοποιήσετε άλλα αξεσουάρ ή εξαρτήματα μπορεί να παρουσιαστεί κίνδυνος για πρόκληση τραυματισμού προσώπων. Να χρησιμοποιείτε τα αξεσουάρ και τα εξαρτήματα μόνο για το σκοπό για τον οποίο προορίζονται.

Αν χρειάζεστε κάποια βοήθεια ή περισσότερες πληροφορίες σχετικά με τα αξεσουάρ αυτά, απευθυνθείτε στο πλησιέστερο κέντρο εξυπηρέτησης της Makita.

- Νάilon κοπτική κεφαλή

- Νάilon μεσηνέζα (κοπτική μεσηνέζα)
- Ιμάντας ώμου
- Εξαγωγικό κλειδί
- Αυθεντική μπαταρία και φορτιστής της Makita

ΣΗΜΕΙΩΣΗ:

- Ορισμένα από τα στοιχεία της λίστας μπορεί να περιέχονται στη συσκευασία του εργαλείου ως κανονικά αξεσουάρ. Αυτά ενδέχεται να διαφέρουν από χώρα σε χώρα.

TÜRKÇE (Orijinal Talimatlar)

Genel görünüm

1. Akü
2. Hız ayar düğmesi
3. Gösterge lambası
4. Güç düğmesi
5. Kilit açma mandalı
6. Kanca (askı noktası)
7. Sap
8. Açma/kapama düğmesi
9. Muhafaza
10. Misina muhafazası
11. Kesici parça
12. Omuz askısı
13. Kapak
14. Kırmızı gösterge
15. Düşme
16. Güç göstergesi
17. Yön değiştirme düğmesi
18. Normal çalışma için basılacak A konumu
19. Ot ve yabancı madde temizlenmesi için basılacak B konumu
20. Yıldız işareti
21. Akü göstergesi
22. Gösterge lambaları
23. Kontrol düğmesi
24. En etkin kesim alanı
25. Bağlantı
26. Kilitleme mandalı
27. Bağlantı kapağı
28. Mandal
29. Boru (Kesici parça tarafı)
30. Dışbükey bölüm
31. Tırnak
32. Cıvatalar
33. Kapak
34. Kelepeçler
35. Kesici parça tarafı
36. Ara parça
37. Yuvalar
38. Koruyucu
39. Dışbükey bölümler
40. Koruyucu yuvası
41. Tırnaklar
42. Delikler
43. Misinalı kesim başlığı
44. Metal muhafaza
45. Alıcı pul
46. Alyan anahtarı
47. Toka
48. Kanca
49. Cıvata
50. 80-100 mm

TEKNİK ÖZELLİKLER

Model	DUR142L	DUR182L	DUR183L
Boru tipi	Entegre boru		Ayrılabilir boru
Yüksüz hız	3.500 - 6.000 dak ⁻¹		
Misinalı kesim başlığı dahil toplam uzunluk	1.843 mm		
Ayrılmış uzunluk	—		982 mm
Misinalı kesim başlığı ile kesim çapı	300 mm		
Net ağırlık (BL1430 veya BL1830 ile)	3,8 kg	3,9 kg	4,1 kg
Anma gerilimi	D.C. 14,4 V	D.C. 18 V	
Standart akü ve şarj cihazı ⚠ Daima sağ taraftaki sütunlarda alt alta yazılı olan akü/şarj cihazı kombinasyonunu birlikte kullanın.	BL1415N, BL1430, BL1440, BL1450/DC18RC	BL1815N, BL1820, BL1820B, BL1830, BL1840, BL1840B, BL1850, BL1850B/DC18RC	

- Sürekli yapılan araştırma ve geliştirmelerden dolayı, burada belirtilen özellikler önceden bildirilmeksizin değiştirilebilir.
- Özellikler ve akü ülkeye göre farklılıklar gösterebilir.
- EPTA Prosedürü 01/2003 uyarınca ağırlık (akü dahil)

Gürültü	Ses basıncı seviyesi		İlgili standart veya direktif
	Model	L_{PA} (dB (A))	
DUR142L	78	1,0	2000/14/EC
DUR182L/DUR183L	79	0,7	

- Yukarıda belirtilen ses basıncı seviyesi 80 dB (A) ve altı olmasına rağmen, çalışma sırasındaki seviye 80 dB (A) değerini geçebilir. Koruyucu kulaklık takın.

Titreşim	Ön sap		Arka sap		İlgili standart veya direktif
	Model	a_h (m/s ²)	Belirsizlik (K) (m/s ²)	a_h (m/s ²)	
DUR142L	$\leq 2,5$	1,5	$\leq 2,5$	1,5	EN786
DUR182L/DUR183L	$\leq 2,5$	1,5	$\leq 2,5$	1,5	

- Belirtilen titreşim emisyonu değeri, standart test yöntemine göre ölçülmüştür ve makinenin diğer makinelerle karşılaştırılması için kullanılabilir.
- Belirtilen titreşim emisyonu değeri ayrıca maruziyetin ön değerlendirilmesinde de kullanılabilir.

⚠ UYARI:

- Elektrikli aletin gerçek kullanımı sırasında ortaya çıkacak titreşim emisyonu, aletin kullanıma şekline bağlı olarak belirtilen emisyon değerinden farklı olabilir.
- Gerçek kullanım koşullarındaki maruziyeti tahmin ederek (örneğin, aletin açılma süresine ek olarak kapalı konuma getirildiği ve rölatide çalıştığı süreler gibi çalışma döngüsünün tüm bileşenlerini dikkate alın), kullanıcıyı korumak için gerekli güvenlik önlemlerinin alındığından emin olun.

Simgeler

END020-3

Makine için kullanılan simgeler aşağıda gösterilmiştir. Makineyi kullanmaya başlamadan önce bu simgelerin ne anlama geldiğini öğrenin.

- ⚠ Gerekli önlemleri alın ve dikkatli olun.
- 📖 Kullanım kılavuzunu okuyun.
- ⚠ Tehlike! Sıçrayan yabancı maddelere karşı dikkatli olun.
- 🚶 Makine ile etraftaki kişiler arasında en az 15 m mesafe olmalıdır.
- 🚫 İnsanların yaklaşmasına izin vermeyin.
- 🚶 En az 15 m'lik mesafe bırakın.
- 🧢 Baret, gözlük ve kulaklık kullanın.
- 🧤 Koruyucu eldiven takın.
- 👟 Altı kaymayan sağlam ayakkabılar giyin. Çelik uçlu koruyucu ayakkabılar tavsiye edilir.
- 🚫 Neme maruz bırakmayın.
- 🔧 İzin verilen maksimum makine devri.
- 🚫 Kesinlikle metal bıçak kullanmayın.
- ♻️ Sadece AB ülkeleri için Elektrik cihazları ve pilleri ev çöpüyle birlikte atmayın!
Elektrikli ve Elektronik Cihaz Atıkları, Piller ve Aküler ve Pil ve Akü Atıkları Hakkındaki Avrupa Yönergeleri ve bunların ulusal kanunlara göre uygulanışı uyarınca kullanım ömrünü tamamlayan elektrikli cihazlar ve piller mutlaka ayrı olarak toplanmalı ve çevre

Yalnızca Avrupa ülkeleri için

ENH219-3

AT Uygunluk Beyanı

Makita aşağıdaki Makine(ler) ile ilgili şu hususları beyan eder:

Makinenin Adı:
Akülü Yan Tırpan
Model Numarası / Tipi: DUR142L, DUR182L, DUR183L
Teknik Özellikler: bkz. "TEKNİK ÖZELLİKLER" tablosu.

Şu Avrupa Yönergelerine uygundur:

2000/14/EC, 2006/42/EC

Şu Standartlara veya standartlaştırılmış belgelere uygun olarak üretilmiştir:

EN60335

2006/42/EC'ye uygun teknik dosyaya şu adresten ulaşılabilir:

Makita, Jan-Baptist Vinkstraat 2, 3070, Belçika

2000/14/EC sayılı Direktif uyarınca istenen uygunluk değerlendirme prosedürü, Ek VI'ya uygundur.

Onaylayan Kurum:

TÜV Rheinland LGA Products GmbH
Tillystraße 2
90431 Nürnberg, Almanya
Tanımlama numarası: 0197

Model DUR142L

Ölçülen Ses Gücü Düzeyi: 89 dB (A)

Garanti Edilen Ses Gücü Düzeyi: 90 dB (A)

Model DUR182L, DUR183L

Ölçülen Ses Gücü Düzeyi: 90 dB (A)

Garanti Edilen Ses Gücü Düzeyi: 90 dB (A)

31. 12. 2013

Yasushi Fukaya

Yasushi Fukaya
Müdür

Makita, Jan-Baptist Vinkstraat 2, 3070, Belçika

ÖNEMLİ GÜVENLİK TALİMATLARI

GEB109-3

⚠ **UYARI! Tüm güvenlik uyarılarını ve tüm talimatları okuyun.** Verilen uyarılara ve talimatlara uyulmaması elektrik çarpmasına, yangına ve/veya ciddi yaralanmalara yol açabilir.

Tüm uyarıları ve talimatları ileride başvurmak üzere saklayın.

1. **Makinenin kontrolleri ve güvenli kullanımı hakkında bilgi sahibi olun.**
2. **Motor kapatıldıktan sonra kesici parçalar bir süre daha dönmeye devam eder.**
3. **Çocukların veya bu talimatları bilmeyen kişilerin bu makineyi kullanmasına izin vermeyin.**

4. Etrafta insanlar, özellikle de çocuklar ve evcil hayvanlar varken makineyi çalıştırmayın.
5. Makineyi yalnızca gün ışığında veya iyi bir aydınlatma altında kullanın.
6. Makineyi kullanmaya başlamadan önce ve herhangi bir darbe geldikten sonra, aşınma veya hasar belirtisi olup olmadığını kontrol edin ve gerekirse onarın.
7. Yaralanmamak için, misininin doğru uzunlukta kesilmesi için takılan kesici parçaya dikkat edin. Misinayı açtıktan sonra, makineyi çalıştırmadan önce mutlaka normal çalışma konumuna getirin.
8. Kesinlikle metal kesici parçalar takmayın.
9. Bu makine, makinenin güvenliğinden sorumlu personelini makinenin kullanımına ilişkin kontrol veya talimatları olmaksızın fiziksel, algısal veya zihinsel yetersizlikleri bulunan ve yeterli deneyime ve bilgiye sahip olmayan kişiler (çocuklar dahil) tarafından kullanılmalıdır. Çocuklar, bu makine ile oynamaları gerektiği konusunda uyarılmalıdır.
10. Bu makineyi çok hassas ve dikkatli bir şekilde kullanın.
11. Bu makineyi yalnızca fiziksel olarak iyi durumdakiler çalıştırın. Tüm işlerinizi sakın ve dikkatli bir şekilde yürütün. Sağ duyunuzun kullanın ve yaralanmalar veya mal kayıplarıyla sonuçlanan kazalardan veya tehlikelerden tek başına operatörün veya kullanıcının sorumlu olacağına dikkat edin.
12. Bu makineyi kesinlikle yorgunken, hastayken veya alkol, uyuşturucu madde veya ilaçların etkisi altındayken çalıştırmayın.
13. Normal çalışmadığına dair belirtiler görüldüğünde makine derhal kapatılmalıdır.

Makinenin kullanım amacı

1. Doğru makineyi kullanın. Akülü yan trıpan yalnızca çimlerin ve küçük yabancı otların kesilmesi için tasarlanmıştır. Bu makine kesinlikle çit budama gibi başka bir amaçla kullanılmalıdır, aksi takdirde yaralanmalar meydana gelebilir.

Kişisel koruyucu ekipmanlar (Şekil 1 & 2)

1. İşe uygun giyinin. Makine çalıştırılırken giyilen kıyafetler işlevsel ve uygun olmalıdır, yani bol veya hareket kabiliyetini sınırlandıracak kadar dar olmamalıdır. Yüksek çimlere takılabileceğinden taktı kullanmayın ve bol kıyafetler giymeyin. Saçlarınız uzunsanız, saç filesi takın.
2. Makineyi kullanırken, daima altı kaymayan sağlam ayakkabılar giyin. Böylece, yere sağlam basabilir ve olası yaralanmaları önleyebilirsiniz.
3. Koruyucu gözlük takın.

Elektrik ve akü güvenliği

1. Tehlikeli ortamlardan kaçının. Makineyi nemli veya ıslak yerlerde kullanmayın ve yağmura maruz bırakmayın. Makinenin içine su girmesi, elektrik çarpması riskini arttıracaktır.
2. Yalnızca üretici tarafından önerilen şarj cihazlarını kullanın. Belirli bir akü tipi için uygun olan şarj cihazı, başka bir aküyle kullanıldığında yangın riski yaratabilir.

3. Elektrikli aletleri yalnızca öngörülen akülerle kullanın. Farklı akülerin kullanılması yaralanma ve yangın riskini artırır.
4. Kullanmadığınız zamanlarda aküyü ataç, metal para, anahtar, çivi, vida gibi akü kutuplarının birbirine temas etmesine neden olabilecek metal nesnelere uzak tutun. Kutupların bu şekilde kısa devre yapması yanıklara veya yangına yol açabilir.
5. Akünün hasar görmesi durumunda aküden sızan sıvıya kesinlikle temas etmeyin. Yanlışlıkla sıvıya temas etmeniz durumunda, ilgili bölgeyi bol su ile yıkayın. Akü sıvısı gözünüze temas ederse, derhal bir doktora görünün. Aküden sızan sıvılar tahrişe ve yanıklara yol açabilir.
6. Aküyü (aküleri) ateşe atmayın. Hücresi patlayabilir. Olası özel bertaraf talimatları için ilgili yönetmeliklere başvurun.
7. Aküyü (aküleri) açmayın veya kurcalamayın. Sızan elektrolitik koroziftir ve göz ve cilt yaralanmalarına neden olabilir. Yutulması halinde, zehirli olabilir.

Makinenin çalıştırılması (Şekil 3)

1. 15 metrelik (50 fit) çalışma alanında insanların ve özellikle de çocukların bulunmadığından emin olun. Ayrıca, çalışma alanının çevresindeki hayvanlara da dikkat edin. Buna engel bir durum varsa, makineyi kullanmayı bırakın.
2. Çalışmaya başlamadan önce, makinenin güvenli çalıştığını kontrol edin. Kesici parçanın ve muhafazanın güvenliğini kontrol edin ve kolay ve doğru çalıştığından emin olmak için açma/kapama düğmesini açıp kapatın. Sapların temiz ve kuru olduğunu ve açma/kapama düğmesinin işlevini doğru yerine getirdiğini kontrol edin.
3. Makineyi kullanmaya başlamadan önce hasarlı parça olup olmadığını kontrol edin. İşlevlerini gerektirdiği şekilde yerine getirdiklerinden emin olmak için muhafazanın veya diğer parçaların hasar görüp görmediğini kontrol edin. Hareketli parçalardaki ayar bozukluklarını, eğilmeleri, kırık parçaları ve makinenin işleyişini etkileyebilecek diğer durumları kontrol edin. Hasar gören muhafazalar ve diğer parçalar, bu kılavuzda aksi belirtilmediği sürece yetkili servis tarafından tamir edilmeli veya değiştirilmelidir.
4. Motoru kesinlikle ellerinizi ve ayaklarınızı kesici parçadan uzaklaştırmadan çalıştırmayın.
5. Makineyi kullanmaya başlamadan önce, kesici parçanın dal, taş vb. gibi sert cisimlere temas etmediğinden emin olun, aksi takdirde çalışma sırasında kesici parça dönecektir.

Çalıştırma yöntemi

1. Muhafazaları hasarlı veya takılı olmayan bir makineyi kesinlikle çalıştırmayın.
2. Makineyi yalnızca iyi aydınlatılan ve görüşün açık olduğu yerlerde kullanın. Kış mevsiminde kaygan veya ıslak alanlara, buz ve kara dikkat edin (kayma riski). Her zaman yere sağlam ve dengeli basın.
3. Kesici parçadan dolayı ellerinizin ve ayaklarınızın yaralanmamasına dikkat edin.
4. Hiçbir zaman, özellikle de motoru çalıştırırken ellerinizi ve ayaklarınızı kesici parçalara yaklaştırmayın.

5. Asla bel hizanızın üzerinde kesim yapmayın.
6. Makineyi kesinlikle merdiven üzerindenken kullanmayın.
7. Dengesiz zeminler üzerinde kesinlikle çalışmayın.
8. Fazla ileriye uzanmaya çalışmayın. Her zaman yere sağlam basın ve dengeyi koruyun.
9. Çalışma alanı içerisinde bulunan kum, taş, çivi vs. gibi yabancı maddeleri temizleyin. Yabancı maddeler kesici parçaya zarar verebilir ve kesici parça tarafından fırlatılarak, ciddi yaralanmalara yol açabilir.
10. Kesici parçanın taşa veya benzeri sert bir cisme çarpması halinde, derhal motoru kapalı konuma getirin ve kesici parçayı kontrol edin.
11. Kesim işlemine başlamadan önce, kesici parçanın tam çalışma hızına ulaşmasını bekleyin.
12. Kullanım sırasında makineyi daima her iki elinizle tutun. Makineyi kesinlikle kullanım sırasında tek elle tutmayın. Her zaman yere sağlam ve dengeli basın.
13. Çalıştırma sırasında, makineyle birlikte verilen muhafaza da dahil tüm koruyucu ekipmanlar kullanılmalıdır.
14. Acil durumlar dışında makineyi kesinlikle yere atmayın veya bırakmayın; aksi takdirde makine ciddi şekilde hasar görebilir.
15. Makineyi bir yerden başka bir yere taşırken kesinlikle sürüklemeyin, aksi takdirde makine hasar görebilir.
16. Şu durumlarda aküyü mutlaka çıkartın:
 - makinenin başından ayrılacağıınızda,
 - bir tıkanıklığı temizlemeye başlamadan önce,
 - makineyi kontrol etmeye, temizlemeye veya üzerinde herhangi bir işlem yapmaya başlamadan önce,
 - herhangi bir ayar yapmadan, aksesuarları değiştirmeden veya makineyi depoya kaldırmadan önce,
 - makine anormal şekilde titreşimli çalışmaya başladığında,
 - makineyi taşırken.
17. Makineyi zorlamayın. Makinenin, tasarlandığı devirde çalıştırılması durumunda amaçlanan işlem daha iyi gerçekleştirilir ve yaralanma riski azalır.

8. Makineyi düzenli olarak, özellikle de her kullanım öncesi/sonrası kontrol edin ve gerekli bakım işlemlerini uygulayın. Makinenin yalnızca yetkili servis merkezleri tarafından onarıldığından emin olun.
9. Makinenin saplarını kuru ve temiz tutun ve saplara yağ veya gres bulaşmasına izin vermeyin.

BU TALİMATLARI SAKLAYIN.

⚠ UYARI:

Ürünü kullanırken defalarca kullanmanın getirdiği rahatlık ve tanıdıklık duygusunun, güvenlik kurallarına sıkı sıkıya bağlı kalmanızı önlemesine İZİN VERMEYİN. YANLIŞ KULLANIM veya bu kullanım kılavuzunda belirtilen güvenlik kurallarına uyulmaması ciddi yaralanmalara neden olabilir.

ÖNEMLİ GÜVENLİK TALİMATLARI

ENC007-9

AKÜ İÇİN

1. Aküyü kullanmaya başlamadan önce (1) akü şarj cihazı, (2) akü ve (3) akünün takıldığı ürüne ilişkin tüm talimatları ve uyarıları okuyun.
2. Aküyü sökmeye çalışmayın.
3. Çalışma süresinde önemli bir kısımla gözlerseniz, hemen çalışmayı bırakın. Bu durum aşırı ısınmaya, yangına ve hatta patlamaya yol açabilir.
4. Elektrolit (akü sıvısı) gözlerinize temas ederse, bol temiz suyla yıkayın ve derhal bir doktora başvurun. Elektrolit körlüğe neden olabilir.
5. Akünün kısa devre yapmasını önleyin:
 - (1) Herhangi bir iletken nesne ile akü uçlarına dokunmayın.
 - (2) Aküyü çivi, madeni para vb. metal nesnelerin bulunduğu bir yerde saklamayın.
 - (3) Aküyü suya veya yağmura maruz bırakmayın. Aküde oluşan kısa devre büyük bir elektrik akımına, aşırı ısınmaya, yangına ve aletin bozulmasına yol açabilir.
6. Aleti ve aküyü 50°C (122°F) sıcaklığa ulaşabilecek veya bu değeri aşabilecek ortamlarda saklamayın.
7. Önemli ölçüde hasar görmüş veya tümüyle tükenmiş olsa da aküyü kesinlikle yakarak imha etmeye çalışmayın. Akü ateşe atıldığında patlayabilir.
8. Akünün dökülmesine ve darbe almamasına dikkat edin.
9. Hasarlı bir aküyü kesinlikle kullanmayın.
10. Akünün atılması sırasında ilgili yönetmeliklere uyun.

BU TALİMATLARI SAKLAYIN.

Akünün öngörülen maksimum ömrü dolana kadar kullanılması için öneriler

1. Aküyü tamamen boşalmasını beklemeden şarj edin.
- Aletin çalışma gücünde bir azalma gördüğünüzde, mutlaka çalışmayı bırakıp, aküyü şarj edin.

Bakım talimatları

1. Çalışmaya başlanmadan önce kesici parçanın, koruyucu cihazların ve omuz askısının durumu kontrol edilmelidir.
2. Herhangi bir bakım çalışması gerçekleştirilmeden, kesici parçayı değiştirmeden veya makineyi temizlemeye başlamadan önce mutlaka motoru kapalı konuma getirin ve aküyü çıkartın.
3. Her kullanımdan sonra, aküyü makineden çıkartın ve hasar olup olmadığını kontrol edin.
4. Gevşek bağlantı elemanları ve işlevini yitirmiş kesici parça gibi hasarlı parçaları kontrol edin.
5. Kullanılmadığı zamanlarda makineyi kilitli duran veya çocukların ulaşamayacakları, kuru bir yerde saklayın.
6. Yalnızca üretici tarafından önerilen yedek parçaları ve aksesuarları kullanın.
7. Havalandırma deliklerinin her zaman açık olduğundan emin olun.

2. **Tam olarak şarj edilmiş bir aküyü tekrar şarj etmeyin.**
Akünün normalden fazla şarj edilmesi ömrünü kısaltır.
3. **Aküyü 10°C - 40°C (50°F - 104°F) değerlerini aşmayan oda sıcaklığında şarj edin. Akü ısınmışsa, şarj etmeden önce soğumasını bekleyin.**
4. **Uzun (altı ayı aşkın) bir süredir kullanmıyorsanız aküyü şarj edin.**

Parçaların tanımı (Şekil 4)

KULLANIMA İLİŞKİN TANIMLAR

⚠ UYARI:

- **Makine üzerinde ayar işlemi gerçekleştirmeden veya makinenin işlevlerini kontrol etmeden önce makinenin kapalı ve aküsünün çıkartılmış olduğundan emin olun.** Makinenin kapatılmaması ve aküsünün çıkartılmaması durumunda, makine istem dışı çalışabilir ve neticesinde ciddi yaralanmalar meydana gelebilir.

Akünün takılması ve çıkartılması (Şekil 5)

⚠ DİKKAT:

- Aküyü takmadan ve çıkarmadan önce mutlaka makineyi kapalı konuma getirin.
- **Aküyü takarken ve çıkartırken makineyi ve aküyü sıkıca tutun.** Aksi takdirde, makine ve akü elinizden kayarak düşebilir ve neticesinde makine ve akü hasarları ve yaralanmalar meydana gelebilir.

Aküyü çıkarmak için akünün ön tarafında bulunan düğmeye bastırın ve aküyü çekerek makineden çıkartın. Aküyü takmak için aküdeki dili makine gövdesindeki yuvayla aynı hizaya getirin ve aküyü iterek yerine oturmasını sağlayın. Akünün tam yerine oturduğunu klik sesinden anlayabilirsiniz. Düğmenin üst tarafında bulunan kırmızı göstergeli görüyorsanız, akü tam olarak kilitlememiştir.

⚠ DİKKAT:

- Kırmızı gösterge tamamen kayboluncaya kadar aküyü itin. Aksi takdirde, akü makineden kayıp düşebilir ve operatörün veya çevredeki kişilerin yaralanmasına neden olabilir.
- Aküyü zorlayarak takmaya çalışmayın. Akünün makineye rahatça takılmaması, yanlış takıldığını gösterir.

Açma/kapama işlemi

⚠ UYARI:

- **Aküyü makineye takmadan önce, açma/kapama düğmesinin kusursuz çalıştığını ve açma/kapama düğmesi bırakıldığında makinenin "KAPALI" konumuna döndüğünü kontrol edin.** Kilit açma mandalına basılmamışsa, açma/kapama düğmesini zorlamayın. Aksi takdirde, açma/kapama düğmesi kırılabilir. Açma/kapama düğmesi doğru şekilde çalışmayan bir makinenin kullanılması, kontrol kaybına ve neticesinde ciddi yaralanmalara neden olabilir. (Şekil 6)

Muhafaza üzerindeki güç düğmesine basın; makine açılmalı ve güç göstergesi yanmalıdır. (Şekil 7) Açma/kapama düğmesine yanlışlıkla basılmasının önlenmesi için, makinede bir kilit açma mandalı bulunur. Makineyi çalıştırmak için kilit açma mandalını açık konuma getirin ve ardından açma/kapama düğmesine basın. Makineyi durdurmak için parmağınızı açma/kapama düğmesinden çekin.

NOT:

- Güç düğmesine basıldıktan sonra makinede bir dakika boyunca hiçbir işlem yapılmazsa, makine otomatik olarak kapanacaktır.

Yabancı maddelerin temizlenmesi için yön değiştirme düğmesi

⚠ UYARI:

- **Makinenin çalışma yönü ters çevrilecek temizlenemeyen otlar ve yabancı maddeler temizlenmeden önce mutlaka makinenin kapalı ve aküsünün çıkartılmış olduğundan emin olun.** Makinenin kapatılmaması ve aküsünün çıkartılmaması durumunda, makine istem dışı çalışabilir ve neticesinde ciddi yaralanmalar meydana gelebilir. (Şekil 8)

Bu makinede kullanım amacı yalnızca makinede sıkışmış olan otların ve yabancı maddelerin temizlenmesi olan bir yön değiştirme düğmesi bulunur. Makineyi normal şekilde çalıştırmak için, düğmenin "A" tarafına basılmalıdır. Hareketli başlığa sıkışan otları ve yabancı maddeleri temizlemek için, düğmenin "B" tarafına basılarak makinenin dönüş yönü tersine çevrilebilir. Bu ters yönde makine yalnızca kısa bir süre çalışacak ve ardından otomatik olarak kapanacaktır.

İKAZ:

- Çalışmaya başlamadan önce dönüş yönünü mutlaka kontrol edin.
- Yön değiştirme düğmesini yalnızca makine tamamen durduktan sonra kullanın. Makinenin durmadan önce yönünün değiştirilmesi, makineye zarar verebilir.

Hız ayar düğmesi (Şekil 9)

Makine hızı, hız ayar düğmesi kullanılarak 3.500 dk⁻¹ ila 6.000 dk⁻¹ aralığında istenilen değere ayarlanabilir. Hızı yükseltmek için hız ayarlama düğmesini saat yönünde, düşürmek için ise saat yönünün tersinde çevirin.

Akü koruma sistemi (Yıldız işaretli lityum akülerde) (Şekil 10)

Yıldız işaretli lityum akülerde koruma sistemi mevcuttur. Bu sistem, akü ömrünü uzatmak için makineye beslenen güçü otomatik olarak keser.

Makine ve/veya akü için aşağıda sıralanan durumlardan birinin geçerli olması halinde, çalışmayı otomatik olarak durdurur:

- Aşırı yüklenme:
Makine anormal yüksek akım çekecek şekilde çalışır. Böyle bir durumda, makine üzerindeki açma/kapama düğmesinden elinizi çekin ve makinenin aşırı yüklenmesine neden olan uygulamayı durdurun. Ardından, yeniden başlatmak için açma/kapama düğmesine tekrar basın.

Makine çalışmıyorsa, akü aşırı ısınmıştır. Böyle bir durumda, açma/kapama düğmesine tekrar basmadan önce akünün soğumasını bekleyin.

- Düşük akü gerilimi:
Kalan akü kapasitesi çok düşüktür ve makine çalışmıyordur. Böyle bir durumda, aküyü çıkartın ve şarj edin.

Gösterge lambası (Şekil 11)

Koruma sistemi, çalışma sırasında çalışıyorsa, lambası yanar.

Gösterge lambasının durumu ve ilgili durumda alınması gereken önlemler için aşağıdaki tabloya bakın.

Güç göstergesi	Akü göstergesi	Durum	Alınacak önlem
	Yanıp sönüyor	Akü gücü neredeyse bitmek üzere.	Aküyü tam dolu bir aküyle değiştirin.
	Sabit yanıyor	Akü koruyucusu gücü kesiyor - akü gücü tükendi.	Aküyü tam dolu bir aküyle değiştirin.
Yanıp sönüyor		Aşırı yük koruyucusu yükü kesiyor - aşırı ısınma.	Makineyi soğuması için bir süre kapalı konumda bekletin.

013900

Kalan akü kapasitesinin kontrol edilmesi

(Yalnızca model numarasının sonunda "B" harfi içeren akülerde mevcuttur.) (Şekil 12)

Kalan akü kapasitesini görmek için akü üzerindeki kontrol düğmesine basın. Ardından, gösterge lambaları birkaç saniye yanar.

Gösterge lambaları			Kalan kapasite
		Yanıp sönüyor	
			%75 ile %100 arası
			%50 ile %75 arası
			%25 ile %50 arası
			%0 ile %25 arası
			Aküyü şarj edin.
			Akü bozulmuş olabilir.

015658

NOT:

- Gösterilen kapasite seviyesi, kullanım koşullarına ve ortam sıcaklığına bağlı olarak gerçek seviyeden bir miktar farklı olabilir.

Misinalı kesim başlığı

İKAZ:

- Makine yüksek devirde çalışırken, başlığa misina beslemeye çalışmayın. Yüksek devirde misina beslenmesi, misinalı kesim başlığına zarar verebilir.
- Başlık hareket halindeyken, çarparak misina besleme işlevi doğru şekilde çalışmaz. (Şekil 13)

Misinalı kesim başlığı, çarpmalı besleme mekanizmasına sahip bir çift misinalı yan tırpan başlığıdır.

Misinalın açılması için, kesim başlığı düşük devirde çalışırken yere çarpılması yeterlidir.

NOT:

Başlık yere çarpılmasına rağmen misina açılmıyorsa, "Bakım" bölümünde açıklanan prosedürleri takip ederek misinayı geri sarın/değiştirin.

MONTAJ

⚠ UYARI:

- **Makine üzerinde herhangi bir işlem yapmadan önce makinenin kapalı ve aküsünün çıkartılmış olduğunu emin olun.** Makinenin kapatılmaması ve aküsünün çıkartılmaması durumunda, makine istem dışı çalışabilir ve neticesinde ciddi yaralanmalar meydana gelebilir.
- **Tamamen kurulu olmadığı sürece makineyi kesinlikle çalıştırmayın.** Makinenin tam olarak monte edilmeden kullanılması durumunda, makine istem dışı çalışabilir ve neticesinde ciddi yaralanmalar meydana gelebilir.

Ataşman borusunun takılması

Yalnızca DUR183L modeli için (Şekil 14)

Ataşmanı güç başlığına takmak için:

1. Mandalin sıkılmadığından emin olun.
2. Bağlantı girişini açmak için, bağlantı kapağına bastırın. (Şekil 15)
3. Boru (kesim parçası tarafı) üzerindeki tırnağı bağlantı parçasının dışbükey bölümüyle aynı hizaya getirin.
4. Ataşman borusunu bağlantı parçasına yerleştirin. Kilitleme mandalinin yüzeyinin, boruya yatay geldiğinden emin olun.
5. Mandalı gösterdiği gibi sağlam şekilde sıkın. Ataşmanı çıkarmak için mandalı gevşetin, kilitleme mandalinin ön tarafına bastırın ve ardından boruyu kaydırın.

Sapın takılması (Şekil 16)

Sapı shaft borusuna takın ve iki adet civatayla sabitleyin. Shaft borusu üzerindeki ara parçanın sap tertibatı ile diğer

sap arasına geldiğinden emin olun. Ara parçayı çıkarmayın veya ezmeyin.

⚠ DİKKAT:

- DUR183L modelinde sapı kesinlikle bağlantıya takmayın.

Muhafazanın takılması

⚠ UYARI:

- **Muhafazası şekilde gösterildiği gibi takılı değilse kesinlikle makineyi kullanmayın.** Aksi takdirde, ciddi yaralanmalar meydana gelebilir. **(Şekil 17 ve 18)**

Koruyucu üzerindeki tırnakları motor muhafazası

üzerindeki yuvalarla aynı hizaya getirin. **(Şekil 19)**

Koruyucu yuvası üzerindeki tırnakları motor

muhafazasının dişbükey bölümleriyle aynı hizaya getirin.

Koruyucu yuvasını motor muhafazasına yerleştirin.

(Şekil 20)

Koruyucuyu ve koruyucu yuvasını motor muhafazasına

yerleştirdikten sonra, civataları sağlam şekilde sıkın.

Misina muhafazasının takılması

⚠ DİKKAT:

- Misina muhafazasını ayarlamadan önce, kesim başlığının tamamen durmasını bekleyin. Misina muhafazasını ayağınızla ayarlamaya çalışmayın. **(Şekil 21)**

Kesim başlığı önündeki nesnelere zarar görmesi riskini

düşürmek için, misina muhafazasını, misininin kesim

aralığını kontrol edecek şekilde takın. **(Şekil 22)**

Misina muhafazasını bir miktar dışarı doğru kaydırın ve

koruyucunun deliklerine takın.

NOT:

- Misina muhafazasını çok fazla dışarı doğru kaydırmayın. Aksi takdirde, kırılabilir. **(Şekil 23)** Misina muhafazası kullanılmıyorken, bekleme konumuna kaldırın.

Misinalı kesim başlığının takılması

İKAZ:

- Yalnızca orijinal Makita misinalı kesim başlıklarının kullanıldığından emin olun.

Misinalı kesim başlığını daha kolay değiştirmek için, makineyi baş aşağı çevirin. **(Şekil 24)**

Alyan anahtarını koruyucu kapak ve motor muhafazasındaki delikten sokun ve alıcı pulunu Alyan anahtarıyla kilitlene kadar çevirin. Metal muhafazayı ve misinalı kesim başlığını doğrudan dişli mil üzerine yerleştirin ve saat yönünün tersine çevirerek sıkın. Alyan anahtarını çıkartın.

Misinalı kesim başlığını çıkarmak için, alıcı pulunu Alyan anahtarıyla sabit tutarken misinalı kesim başlığını saat yönünde çevirin.

⚠ DİKKAT:

- **Çalışma sırasında misinalı kesim başlığı kazara bir kayaya veya sert bir cisme çarparsa, makine derhal durdurulmalı ve hasar olup olmadığı kontrol edilmelidir. Misinalı kesim başlığı hasar görmüşse, derhal değiştirilmelidir.** Hasarlı bir misinalı kesim başlığının kullanılması ciddi yaralanmalara yol açabilir.

ÇALIŞTIRMA

Makinenin doğru taşınması

Omuz askısının takılması (Şekil 25)

Omuz askısını takın. Ardından hem kanca, hem de askı üzerindeki tokaları takın. Tokaların klik sesi duyulacak şekilde takıldığından ve yerine tam olarak oturduğundan emin olun.

Yalnızca DUR183L modeli için (Şekil 26)

Kapak kullanılmıyorken, kancaya asın.

Çıkartılması (Şekil 27)

Toka üzerinde bir hızlı ayırma mekanizması mevcuttur. Sökmek için, yan taraflarına bastırmanız ve ayırmanız yeterlidir.

⚠ UYARI:

- **Bu sırada makinenin kontrolünü kaybetmemek için çok dikkatli olun. Makinenin size veya çevredeki insanlara doğru savrulmasına izin vermeyin.** Makinenin kontrolünün kaybedilmesi operatörün ve çevredeki kişilerin ciddi şekilde yaralanmasına yol açabilir.

Kanca konumunun ve omuz askısının ayarlanması (Şekil 28)

Kanca konumunu değiştirmek için, kanca üzerindeki civatayı ürünle verilen anahtarla gevşetin. Ardından, kancayı kaydırın.

Kanca konumunu ayarladıktan sonra, civatayı anahtarla sağlam şekilde sıkın.

BAKIM

⚠ UYARI:

- **Makinede herhangi bir kontrol veya bakım işlemine başlamadan önce makinenin kapalı ve aküsünün çıkartılmış olduğundan emin olun.** Makinenin kapatılmaması ve aküsünün çıkartılmaması durumunda, makine istem dışı çalışabilir ve neticesinde ciddi yaralanmalar meydana gelebilir.

İKAZ:

Kesinlikle gazolin, benzin, tiner, alkol veya benzeri bir madde kullanmayın. Aksi takdirde renk bozulması, deformasyon veya çatlaklar meydana gelebilir.

Misininin değiştirilmesi

⚠ UYARI:

- **Misinalı kesim başlığı kapağının aşağıda açıklandığı gibi muhafazaya doğru şekilde sabitlendiğinden emin olun.** Kapağın sağlam şekilde takılmaması, misinalı kesim başlığının sıçrayarak ciddi yaralanmalara yol açmasına neden olabilir. **(Şekil 29)** Muhafazanın yanındaki birbirine karşılık gelen yarıklar içeren iki kilide bastırarak, kapağı muhafazadan çıkartın. **(Şekil 30)**

3-6 m'lik bir misina kesin. Misinayı iki eşit parçaya katlayın, ancak bir tarafı diğerinden 80-100 mm daha uzun bırakın. **(Şekil 31)**

Yeni misininin ortasını makara merkezindeki tırnaktan geçirerek, misininin oturması için tasarlanan 2 kanallı arasına yerleştirin.

Misininin her iki ucunu başlık üzerinde sol tarafta LH ile gösterilen yönde makara etrafına sıkıca sarın. **(Şekil 32)**

100 mm kalana kadar misinanın tamamını sarın ve bu sırada misina uçlarının geçici olarak makaranın kenarındaki tırnakta takılı kalmasını sağlayın. **(Şekil 33)** Makarayı, makara üzerindeki yuva ve tırnaklar muhafaza üzerindekiyle eşleşecek şekilde muhafazaya yerleştirin. Ardından, misinanın uçlarını geçici konumlarından çıkartın ve bu uçları, kapaktan çıkacak şekilde gözlü civata deliklerinden geçirin. **(Şekil 34)** Kapağın altındaki tırnakla gözlü civata deliklerini aynı hizaya getirin. Ardından, sabitlemek üzere kapağı muhafazaya sıkıca bastırın. Kilitlerin kapağa tam olarak oturduğundan emin olun.

Ürünün EMNİYETLİ ve GÜVENİLİR durumda kalmasını sağlamak için tüm onarımlar, bakım ve ayarlar Makita yetkili servisleri veya fabrika servis merkezleri tarafından Makita yedek parçaları kullanılarak yapılmalıdır.

SORUN GİDERME

Onarım talebinde bulunmadan önce, kendiniz kontrol edin. Kılavuzda açıklanmamış herhangi bir sorunla karşılaşırsanız, makineyi sökmeye çalışmayın. Bunun yerine, makinenin Makita Yetkili Servis Merkezleri tarafından orijinal Makita yedek parçalar kullanılarak onarılmasını sağlayın.

Arıza durumu	Nedeni	Önlem
Motor çalışmıyor.	Akü takılı değildir.	Aküyü takın.
	Akü sorunu (düşük gerilim)	Aküyü şarj edin. Şarj edilmesi yeterli olmuyorsa, aküyü değiştirin.
	Tahrik sistemi doğru şekilde çalışmıyordur.	Onarım için size en yakın yetkili servis merkezine danışın.
Motor kısa bir süre çalıştıktan sonra duruyor.	Dönüş yönü terstir.	Yön değiştirme düğmesini kullanarak dönüş yönünü değiştirin.
	Akü şarj seviyesi düşüktür.	Aküyü şarj edin. Şarj edilmesi yeterli olmuyorsa, aküyü değiştirin.
	Aşırı ısınmıştır.	Soğuması için makineyi kullanmayı kesin.
Makine maksimum devrine ulaşmıyor.	Akü yanlış takılmıştır.	Aküyü bu kılavuzda açıklandığı şekilde takın.
	Akü gücü düşüktür.	Aküyü şarj edin. Şarj edilmesi yeterli olmuyorsa, aküyü değiştirin.
	Tahrik sistemi doğru şekilde çalışmıyordur.	Onarım için size en yakın yetkili servis merkezine danışın.
Kesici parça dönmüyor: Makineyi derhal durdurun!	Muhafaza ile misinalı kesim başlığı arasına dal vb. gibi yabancı bir cisim sıkışmıştır.	Yabancı cismi çıkartın.
	Tahrik sistemi doğru şekilde çalışmıyordur.	Onarım için size en yakın yetkili servis merkezine danışın.
Anormal titreşim: Makineyi derhal durdurun!	Misinin bir ucu kopmuştur.	Misina beslemek üzere, misinalı kesim başlığını dönerken hafifçe zemine çarpın.
	Tahrik sistemi doğru şekilde çalışmıyordur.	Onarım için size en yakın yetkili servis merkezine danışın.
Kesici parça ve motor durmuyor: Aküyü derhal çıkartın!	Elektrik veya elektronik arızası vardır.	Aküyü çıkartın ve onarım için size en yakın yetkili servis merkezine danışın.

010856

OPSİYONEL AKSESUARLAR

⚠ DİKKAT:

- Bu kullanım kılavuzunda tanıtilan Makita marka makineyle aşağıdaki aksesuarların ve parçaların kullanılması önerilir. Bunların dışında başka aksesuarların veya parçaların kullanılması yaralanmalara yol açabilir. Aksesuarlar ve parçalar doğru şekilde ve öngörüldükleri işlevler için kullanılmalıdır.

Aksesuarlara ilişkin daha ayrıntılı bilgi almak için size en yakın yetkili Makita servisine başvurabilirsiniz.

- Misinalı kesim başlığı
- Misinalı (kesim parçası)
- Omuz askısı
- Alyan anahtarı

- Orijinal Makita akü ve şarj cihazı

NOT:

- Listedeki bazı parçalar makineyle birlikte standart aksesuar olarak verilebilir. Ürünle verilen aksesuarlar ülkeden ülkeye farklılıklar gösterebilir.

Makita Jan-Baptist Vinkstraat 2, 3070, Belgium
Makita Corporation Anjo, Aichi, Japan

885230C999

www.makita.com

ALA