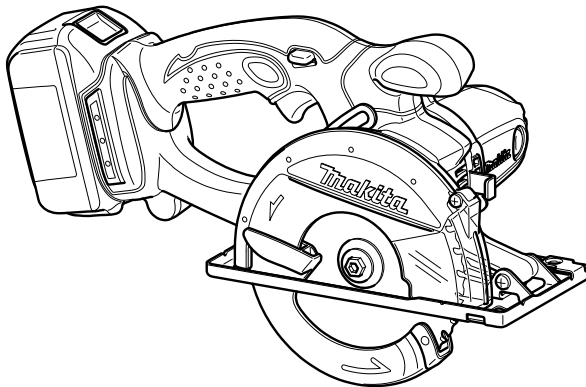




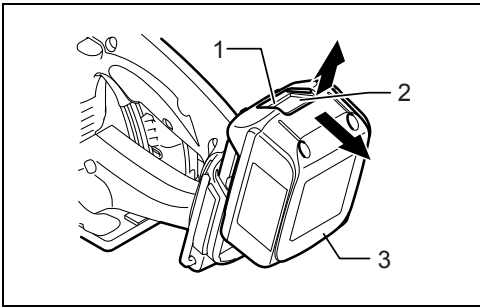
GB	Cordless Metal Cutter	Instruction manual
F	Scie circulaire à métaux sans fils	Manuel d'instructions
D	Akku-Metallsäge	Betriebsanleitung
I	Sega circolare a batteria per metallo	Istruzioni per l'uso
NL	Accu metaal cirkelzaag	Gebruiksaanwijzing
E	Cortadora de metal inalámbrica	Manual de instrucciones
P	Cortador de metal sem fios	Manual de instruções
DK	Ledningsfrit metalskæreværktøj	Brugsanvisning
GR	Κόφτης μετάλλων με μπαταρία	Οδηγίες χρήσης

DCS550



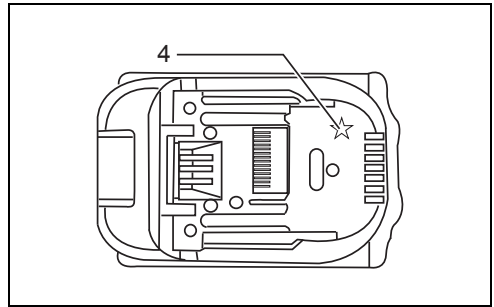
007522





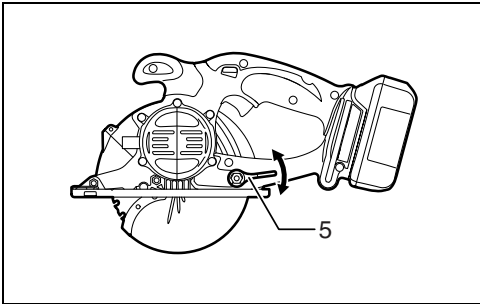
1

014166



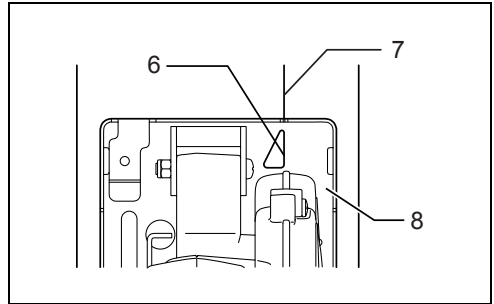
2

012128



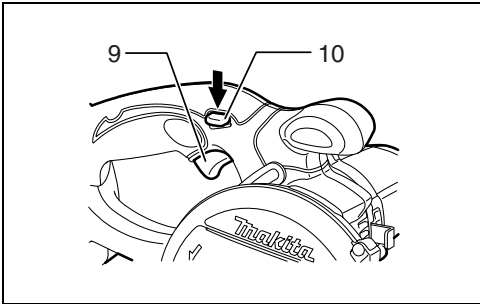
3

007524



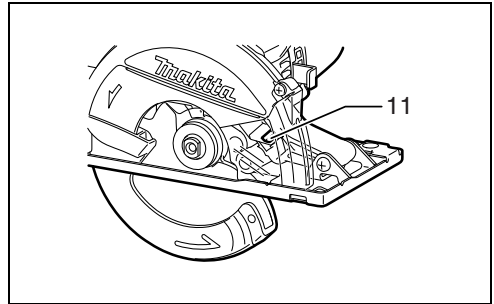
4

007525



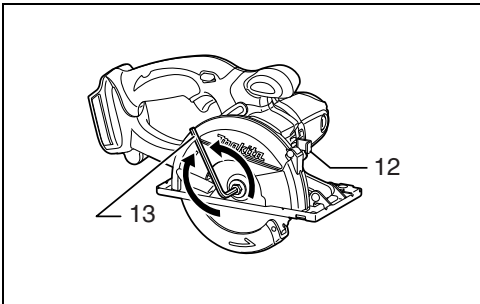
5

007526



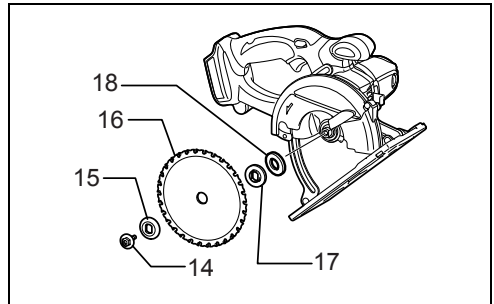
6

007527



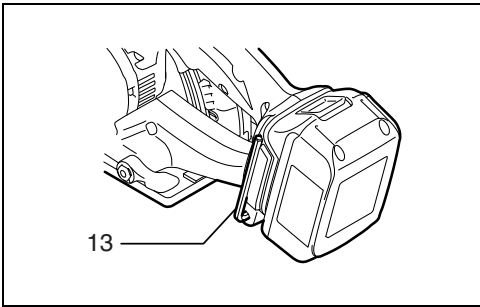
7

007528



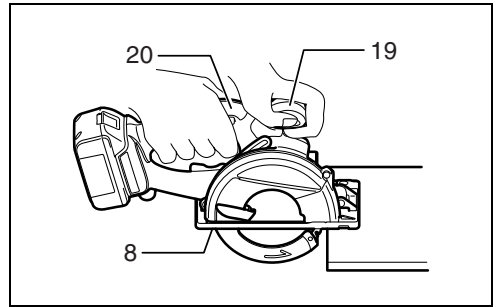
8

007529



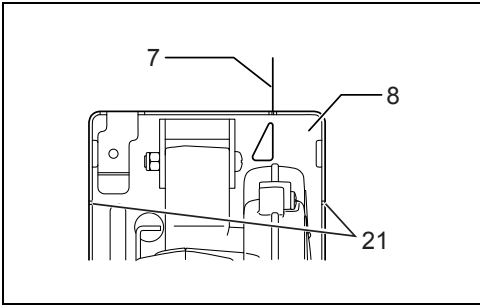
9

007530



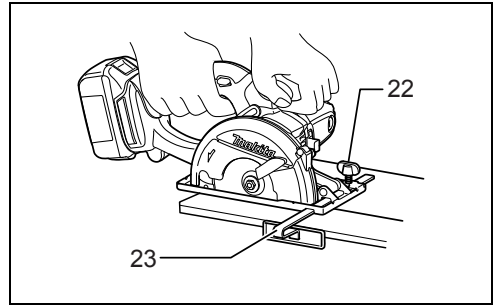
10

007531



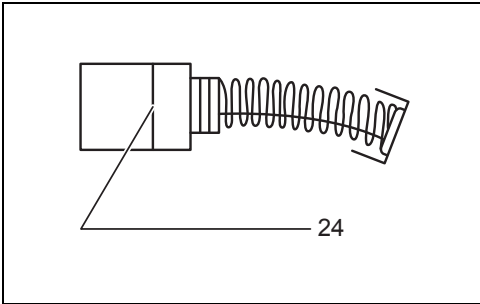
11

007534



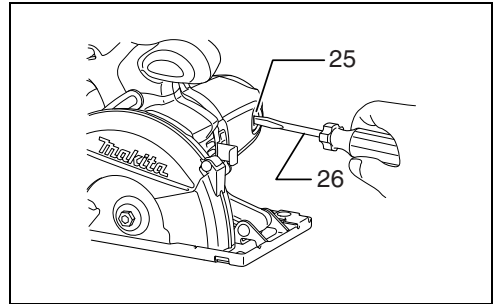
12

007532



13

001145



14

007533

ENGLISH (Original instructions)

Explanation of general view

- | | | |
|----------------------|--------------------|----------------------------|
| 1. Red indicator | 10. Lock-off lever | 19. Front grip |
| 2. Button | 11. Lamp | 20. Rear handle |
| 3. Battery cartridge | 12. Shaft lock | 21. Sight grooves |
| 4. Star marking | 13. Hex wrench | 22. Clamping screw |
| 5. Lever | 14. Hex bolt | 23. Rip fence (Guide rule) |
| 6. A position | 15. Outer flange | 24. Limit mark |
| 7. Cutting line | 16. Saw blade | 25. Brush holder cap |
| 8. Base | 17. Inner flange | 26. Screwdriver |
| 9. Switch trigger | 18. Cup washer | |

SPECIFICATIONS

Model	DCS550
Blade diameter	136 mm
Max. Cutting depth	51 mm
No load speed (min ⁻¹)	3,600
Overall length	348 mm
Net weight	2.6 kg
Rated voltage	D.C. 18 V

- Due to our continuing program of research and development, the specifications herein are subject to change without notice.
- Specifications and battery cartridge may differ from country to country.
- Weight, with battery cartridge, according to EPTA-Procedure 01/2003


Intended use

ENE066-1

The tool is intended for cutting in mild steel and aluminum only with appropriate saw blades.

General Power Tool Safety Warnings

GEA010-1


 **WARNING** Read all safety warnings and all instructions. Failure to follow the warnings and instructions may result in electric shock, fire and/or serious injury.

Save all warnings and instructions for future reference.

CORDLESS METAL CUTTER SAFETY WARNINGS

GEB058-3

Cutting procedures

1.  **DANGER: Keep hands away from cutting area and the blade. Keep your second hand on auxiliary handle, or motor housing.** If both hands are holding the tool, they cannot be cut by blade.
2. **Do not reach underneath the workpiece.** The guard cannot protect you from the blade below the workpiece.
3. **Adjust the cutting depth to the thickness of the workpiece.** Less than a full tooth of the blade teeth should be visible below the workpiece.
4. **Never hold piece being cut in your hands or across your leg. Secure the workpiece to a stable platform.** It is important to support the work properly to minimize body exposure, blade binding, or loss of control.

5. **Hold power tool by insulated gripping surfaces only, when performing an operation where the cutting tool may contact hidden wiring.** Contact with a "live" wire will also make exposed metal parts of the power tool "live" and could give the operator an electric shock.
6. **When ripping, always use a rip fence or straight edge guide.** This improves the accuracy of cut and reduces the chance of blade binding.
7. **Always use blades with correct size and shape (diamond versus round) of arbour holes.** Blades that do not match the mounting hardware of the tool will run eccentrically, causing loss of control.
8. **Never use damaged or incorrect blade washers or bolt.** The blade washers and bolt were specially designed for your tool, for optimum performance and safety of operation.

Kickback causes and related warnings

- kickback is a sudden reaction to a pinched, bound or misaligned blade, causing an uncontrolled tool to lift up and out of the workpiece toward the operator.
- when the blade is pinched or bound tightly by the kerf closing down, the blade stalls and the motor reaction drives the unit rapidly back toward the operator.
- if the blade becomes twisted or misaligned in the cut, the teeth at the back edge of the blade can dig into the top surface of the workpiece causing the blade to climb out of the kerf and jump back toward the operator.

Kickback is the result of tool misuse and/or incorrect operating procedures or conditions and can be avoided by taking proper precautions as given below.

9. **Maintain a firm grip with both hands on the tool and position your arms to resist kickback forces. Position your body to either side of the blade, but**

not in line with the blade. Kickback could cause the tool to jump backwards, but kickback forces can be controlled by the operator, if proper precautions are taken.

10. **When blade is binding, or when interrupting a cut for any reason, release the trigger and hold the tool motionless in the material until the blade comes to a complete stop. Never attempt to remove the tool from the work or pull the tool backward while the blade is in motion or kickback may occur.** Investigate and take corrective actions to eliminate the cause of blade binding.
11. **When restarting a tool in the workpiece, center the blade in the kerf and check that blade teeth are not engaged into the material.** If blade is binding, it may walk up or kickback from the workpiece as the tool is restarted.
12. **Support large panels to minimise the risk of blade pinching and kickback.** Large panels tend to sag under their own weight. Supports must be placed under the panel on both sides, near the line of cut and near the edge of the panel.
13. **Do not use dull or damaged blades.** Unsharpened or improperly set blades produce narrow kerf causing excessive friction, blade binding and kickback.
14. **Blade depth and bevel adjusting locking levers must be tight and secure before making cut.** If blade adjustment shifts while cutting, it may cause binding and kickback.
15. **Use extra caution when making a “plunge cut” into existing walls or other blind areas.** The protruding blade may cut objects that can cause kickback. For plunge cuts, retract lower guard using retracting handle.

Lower guard function

16. **Check lower guard for proper closing before each use. Do not operate the tool if lower guard does not move freely and close instantly. Never clamp or tie the lower guard into the open position.** If tool is accidentally dropped, lower guard may be bent. Raise the lower guard with the retracting lever and make sure it moves freely and does not touch the blade or any other part, in all angles and depths of cut.
17. **Check the operation and condition of the lower guard spring. If the guard and the spring are not operating properly, they must be serviced before use.** Lower guard may operate sluggishly due to damaged parts, gummy deposits, or a buildup of debris.
18. **Lower guard may be retracted manually only for special cuts such as “plunge cuts” and “compound cuts”.** Raise lower guard by retracting handle and as soon as blade enters the material, the lower guard must be released. For all other sawing, the lower guard should operate automatically.
19. **Always observe that the lower guard is covering the blade before placing tool down on bench or floor.** An unprotected, coasting blade will cause the tool to walk backwards, cutting whatever is in its path. Be aware of the time it takes for the blade to stop after switch is released.
20. **To check lower guard, open lower guard by hand, then release and watch guard closure. Also check to see that retracting handle does not touch tool**

housing. Leaving blade exposed is VERY DANGEROUS and can lead to serious personal injury.

Additional safety warnings

21. **Do not stop the blades by lateral pressure on the blade.**
22. **DANGER:**
Do not attempt to remove cut material when blade is moving.
CAUTION: Blades coast after turn off.
23. **Place the wider portion of the tool base on that part of the workpiece which is solidly supported, not on the section that will fall off when the cut is made.**
24. **Never attempt to make a cut with the tool held upside down in a vise. This is extremely dangerous and can lead to serious accidents.**
25. **Wear safety goggles and hearing protection during operation.**
26. **Always use blades recommended in this manual. Do not use any abrasive wheels.**

SAVE THESE INSTRUCTIONS.



WARNING:

DO NOT let comfort or familiarity with product (gained from repeated use) replace strict adherence to safety rules for the subject product. **MISUSE** or failure to follow the safety rules stated in this instruction manual may cause serious personal injury.

IMPORTANT SAFETY INSTRUCTIONS

ENC007-8

FOR BATTERY CARTRIDGE

1. **Before using battery cartridge, read all instructions and cautionary markings on (1) battery charger, (2) battery, and (3) product using battery.**
2. **Do not disassemble battery cartridge.**
3. **If operating time has become excessively shorter, stop operating immediately. It may result in a risk of overheating, possible burns and even an explosion.**
4. **If electrolyte gets into your eyes, rinse them out with clear water and seek medical attention right away. It may result in loss of your eyesight.**
5. **Do not short the battery cartridge:**
 - (1) **Do not touch the terminals with any conductive material.**
 - (2) **Avoid storing battery cartridge in a container with other metal objects such as nails, coins, etc.**
 - (3) **Do not expose battery cartridge to water or rain.**

A battery short can cause a large current flow, overheating, possible burns and even a breakdown.
6. **Do not store the tool and battery cartridge in locations where the temperature may reach or exceed 50°C (122°F).**

7. **Do not incinerate the battery cartridge even if it is severely damaged or is completely worn out. The battery cartridge can explode in a fire.**
8. **Be careful not to drop or strike battery.**
9. **Do not use a damaged battery.**
10. **Follow your local regulations relating to disposal of battery.**

SAVE THESE INSTRUCTIONS.

Tips for maintaining maximum battery life

1. **Charge the battery cartridge before completely discharged.**
Always stop tool operation and charge the battery cartridge when you notice less tool power.
2. **Never recharge a fully charged battery cartridge. Overcharging shortens the battery service life.**
3. **Charge the battery cartridge with room temperature at 10°C - 40°C (50°F - 104°F). Let a hot battery cartridge cool down before charging it.**
4. **Charge the battery cartridge once in every six months if you do not use it for a long period of time.**

FUNCTIONAL DESCRIPTION

CAUTION:

- Always be sure that the tool is switched off and the battery cartridge is removed before adjusting or checking function on the tool.

Installing or removing battery cartridge (Fig. 1)

CAUTION:

- Always switch off the tool before installing or removing of the battery cartridge.
- **Hold the tool and the battery cartridge firmly when installing or removing battery cartridge.** Failure to hold the tool and the battery cartridge firmly may cause them to slip off your hands and result in damage to the tool and battery cartridge and a personal injury.

To remove the battery cartridge, slide it from the tool while sliding the button on the front of the cartridge.

To install the battery cartridge, align the tongue on the battery cartridge with the groove in the housing and slip it into place. Insert it all the way until it locks in place with a little click. If you can see the red indicator on the upper side of the button, it is not locked completely.

CAUTION:

- Always install the battery cartridge fully until the red indicator cannot be seen. If not, it may accidentally fall out of the tool, causing injury to you or someone around you.
- Do not install the battery cartridge forcibly. If the cartridge does not slide in easily, it is not being inserted correctly.

Battery protection system (Lithium-ion battery with star marking) (Fig. 2)

Lithium-ion batteries with a star marking are equipped with a protection system. This system automatically cuts off power to the tool to extend battery life.

The tool will automatically stop during operation if the tool and/or battery are placed under one of the following conditions:

• Overloaded:

The tool is operated in a manner that causes it to draw an abnormally high current.

In this situation, release the switch trigger on the tool and stop the application that caused the tool to become overloaded. Then pull the switch trigger again to restart.

If the tool does not start, the battery is overheated. In this situation, let the battery cool before pulling the switch trigger again.

• Low battery voltage:

The remaining battery capacity is too low and the tool will not operate. In this situation, remove and recharge the battery.

Adjusting depth of cut (Fig. 3)

CAUTION:

- After adjusting the depth of cut, always tighten the lever securely.

Loosen the lever on the side of the rear handle and move the base up or down. At the desired depth of cut, secure the base by tightening the lever.

For cleaner, safer cuts, set cut depth so that no more than one blade tooth projects below workpiece. Using proper cut depth helps to reduce potential for dangerous KICKBACKS which can cause personal injury.

Sighting (Fig. 4)

When cutting, align the A position on the front of the base with your cutting line on the workpiece.

Switch action (Fig. 5)

CAUTION:

- Before inserting the battery cartridge into the tool, always check to see that the switch trigger actuates properly and returns to the "OFF" position when released.
- Do not pull the switch trigger hard without pressing the lock-off lever. This can cause switch breakage.

To prevent the switch trigger from being accidentally pulled, a lock-off lever is provided. To start the tool, press the lock-off lever and pull the switch trigger.

Release the switch trigger to stop.

WARNING:

- For your safety, this tool is equipped with lock-off lever which prevents the tool from unintended starting. NEVER use the tool if it runs when you simply pull the switch trigger without pressing the lock-off lever. Return tool a MAKITA service center for proper repairs BEFORE further usage.
- NEVER tape down or defeat purpose and function of lock-off lever.

Lighting the lamp (Fig. 6)

CAUTION:

- Do not look in the light or see the source of light directly.

Only to turn on the light, pull the switch trigger without pressing the lock-off lever. To turn on the light and run the

tool, press the lock-off lever and pull the switch trigger with the lock-off lever being pressed.

NOTE:

- Use a cotton stick to wipe the dirt off the lens of lamp. Be careful not to scratch the lens of lamp, or it may lower the illumination.
- Do not use gasoline, thinner or the like to clean the lens of lamp. Using such substances will damage the lens.

ASSEMBLY

CAUTION:

- Always be sure that the tool is switched off and the battery cartridge is removed before carrying out any work on the tool.

Removing or installing blade (Fig. 7)

CAUTION:

- Be sure the blade is installed with teeth pointing up at the front of the tool.
- Use only the Makita wrench to install or remove the blade.

To remove the blade, press the shaft lock so that the blade cannot revolve and use the wrench to loosen the hex bolt counterclockwise. Then remove the hex bolt, outer flange and blade.

To install the blade, follow the removal procedure in reverse. **BE SURE TO TIGHTEN THE HEX BOLT CLOCKWISE SECURELY. (Fig. 8)**

When changing blade, make sure to also clean upper and lower blade guards of accumulated chips and particles. Such efforts do not, however, replace the need to check lower guard operation before each use.

Hex wrench storage (Fig. 9)

When not in use, store the hex wrench as shown in the figure to keep it from being lost.

OPERATION

CAUTION:

- Always insert the battery cartridge all the way until it locks in place. If you can see the red part on the upper side of the button, it is not locked completely. Insert it fully until the red part cannot be seen. If not, it may accidentally fall out of the tool, causing injury to you or someone around you.
- Be sure to move the tool forward in a straight line gently. Forcing or twisting the tool will result in overheating the motor and dangerous kickback, possibly causing severe injury.
- If the tool is operated continuously until the battery cartridge has discharged, allow the tool to rest for 15 minutes before proceeding with a fresh battery.
- Never twist or force the tool in the cut. This may cause motor overload and/or a dangerous kickback, resulting in serious injury to the operator.
- Always wear eye protection or goggle before operation. **(Fig. 10)**

Hold the tool firmly. The tool is provided with both a front grip and rear handle. Use both to best grasp the tool. If both hands are holding the tool, they cannot be cut by the blade. Set the base on the workpiece to be cut without the blade making any contact. Then turn the tool on and wait

until the blade attains full speed. Now simply move the tool forward over the workpiece surface, keeping it flat and advancing smoothly until the cutting is completed. To get clean cuts, keep your cutting line straight and your speed of advance uniform. If the cut fails to properly follow your intended cut line, do not attempt to turn or force the tool back to the cut line. Doing so may bind the blade and lead to dangerous kickback and possible serious injury. Release switch, wait for blade to stop and then withdraw tool. Realign tool on new cut line, and start cut again. Attempt to avoid positioning which exposes operator to chips and particles being ejected from the tool. Use eye protection to help avoid injury.

The sight grooves in the base makes it easy to check the distance between the front edge of the blade and the workpiece whenever the blade is set to the maximum depth of cut. **(Fig. 11)**

CAUTION:

- Do not use a deformed or cracked blade. Replace it with a new one.
- Do not stack materials when cutting them.
- Do not cut hardened steel, stainless steel, wood, plastics, concrete, tile, etc. **Cut only mild steel and aluminum.**
- Do not touch the blade, workpiece or cutting chips with your bare hand immediately after cutting, they may be extremely hot and could burn your skin.
- **Always use the blades appropriate for your job.** The use of inappropriate blades may cause a poor cutting performance and/or present a risk of personal injury.

Rip fence (guide rule) (Accessory) (Fig. 12)

The handy rip fence allows you to do extra-accurate straight cuts. Simply slide the rip fence up snugly against the side of the workpiece and secure it in position with the screw on the front of the base. It also makes repeated cuts of uniform width possible.

MAINTENANCE

CAUTION:

- Always be sure that the tool is switched off and the battery cartridge is removed before attempting to perform inspection or maintenance.
- Never use gasoline, benzene, thinner, alcohol or the like. Discoloration, deformation or cracks may result.

Inspecting blade

- Check the blade carefully for cracks or damage before and after each use. Replace a cracked or damaged blade immediately.
- Continuing to use a dull blade may cause a dangerous kickback and/or motor overload. Replace with a new blade as soon as it no longer cuts effectively.
- **Blades for metal cutter cannot be re-sharpened.**

Replacing carbon brushes (Fig. 13)

Remove and check the carbon brushes regularly. Replace when they wear down to the limit mark. Keep the carbon brushes clean and free to slip in the holders.

Both carbon brushes should be replaced at the same time. Use only identical carbon brushes. Use a screwdriver to remove the brush holder caps. Take out the worn carbon brushes, insert the new ones and secure the brush holder caps. **(Fig. 14)** To maintain product SAFETY and RELIABILITY, repairs, any other maintenance or adjustment should be performed by Makita Authorized Service Centers, always using Makita replacement parts.

OPTIONAL ACCESSORIES

CAUTION:

- These accessories or attachments are recommended for use with your Makita tool specified in this manual. The use of any other accessories or attachments might present a risk of injury to persons. Only use accessory or attachment for its stated purpose.

If you need any assistance for more details regarding these accessories, ask your local Makita Service Center.

- Carbide-tipped blades
- Rip fence (Guide rule)
- Thumb screw M5 x 20
- Compression spring 6
- Hex wrench 5
- Safety goggle
- Makita genuine battery and charger

NOTE:

- Some items in the list may be included in the tool package as standard accessories. They may differ from country to country.

Noise ENG905-1
The typical A-weighted noise level determined according to EN60745:

Sound pressure level (L_{pA}): 78 dB (A)

Uncertainty (K): 3 dB (A)

The noise level under working may exceed 80 dB (A).

Wear ear protection.

Vibration ENG900-1
The vibration total value (tri-axial vector sum) determined according to EN60745:

Work mode: cutting metal

Vibration emission ($a_{h,M}$): 2.5 m/s²

Uncertainty (K): 1.5 m/s²

ENG901-1

- The declared vibration emission value has been measured in accordance with the standard test method and may be used for comparing one tool with another.
- The declared vibration emission value may also be used in a preliminary assessment of exposure.

WARNING:

- The vibration emission during actual use of the power tool can differ from the declared emission value depending on the ways in which the tool is used.
- Be sure to identify safety measures to protect the operator that are based on an estimation of exposure in the actual conditions of use (taking account of all parts of the operating cycle such as the times when the tool is switched off and when it is running idle in addition to the trigger time).

For European countries only
EC Declaration of Conformity
We Makita Corporation as the responsible manufacturer declare that the following Makita machine(s):

Designation of Machine:

Cordless Metal Cutter

Model No./ Type: DCS550

are of series production and

Conforms to the following European Directives:

2006/42/EC

And are manufactured in accordance with the following standards or standardised documents:

EN60745

The technical documentation is kept by:

Makita International Europe Ltd.

Technical Department,

Michigan Drive, Tongwell,

Milton Keynes, Bucks MK15 8JD, England

30. 1. 2009



Tomoyasu Kato
Director

Makita Corporation
3-11-8, Sumiyoshi-cho,
Anjo, Aichi, 446-8502, JAPAN

FRANÇAIS (Instructions d'origine)

Descriptif

- | | | |
|-------------------|----------------------------|--|
| 1. Voyant rouge | 10. Levier de sécurité | 19. Poignée avant |
| 2. Bouton | 11. Lampe | 20. Poignée arrière |
| 3. Batterie | 12. Blocage de l'arbre | 21. Rainures de visée |
| 4. Étoile | 13. Clé hexagonale | 22. Vis de serrage |
| 5. Levier | 14. Boulon hexagonal | 23. Garde parallèle (règle de guidage) |
| 6. Position A | 15. Flasque extérieur | 24. Repère d'usure |
| 7. Ligne de coupe | 16. Lame | 25. Bouchon de porte-charbon |
| 8. Socle | 17. Flasque intérieur | 26. Tournevis |
| 9. Gâchette | 18. Rondelle de belleville | |

SPÉCIFICATIONS

Modèle	DCS550
Diamètre de la lame	136 mm
Capacité de coupe max.	51 mm
Vitesse à vide (min^{-1})	3 600
Longueur totale	348 mm
Poids net	2,6 kg
Tension nominale	C.C. 18 V

- Étant donné l'évolution constante de notre programme de recherche et de développement, les spécifications contenues dans ce manuel sont sujettes à des modifications sans préavis.
- Les spécifications et la batterie peuvent varier d'un pays à l'autre.
- Poids, batterie incluse, selon la procédure EPTA 01/2003

Utilisations

ENE066-1

Cet outil est destiné à la coupe d'acier doux et d'aluminium, uniquement avec les lames de scie adaptées.

Consignes de sécurité générales des outils électriques

GEA010-1

⚠ AVERTISSEMENT Veuillez lire toutes les consignes de sécurité et les instructions. Il y a un risque de choc électrique, d'incendie et/ou de blessure grave si les consignes et les instructions ne sont pas toutes respectées.

Conservez toutes les consignes et instructions pour référence ultérieure.

AVERTISSEMENTS DE SÉCURITÉ CONCERNANT LA SCIE CIRCULAIRE À MÉTAUX SANS FILS

GEB058-3

Procédures de coupe

1. **⚠ DANGER** : Gardez vos mains à l'écart de la zone de coupe et de la lame. Laissez votre deuxième main sur la poignée auxiliaire ou le carter du moteur. Vous ne risquez pas de vous couper les mains si vous les utilisez toutes les deux pour tenir l'outil.
2. **Ne placez aucune partie de votre corps sous la pièce à travailler.** Le carter ne peut pas vous protéger de la lame sous la pièce à travailler.
3. **Réglez la profondeur de coupe suivant l'épaisseur de la pièce à travailler.** La partie de la lame visible sous la pièce à travailler doit être moindre qu'une dent de lame complète.
4. **Ne tenez jamais la pièce avec les mains ou contre la jambe. Immobilisez la pièce contre une surface stable.** Il est important que la pièce soit soutenue correctement pour minimiser l'exposition du corps, les pincements de lame et les pertes de contrôle.
5. **Saisissez l'outil électrique par ses surfaces de poigne isolées uniquement, lorsque vous effectuez une opération au cours de laquelle l'outil tranchant peut entrer en contact avec des fils cachés.** Le contact avec un fil sous tension mettra également les parties métalliques exposées de l'outil sous tension, risquant ainsi de provoquer un choc électrique chez l'utilisateur.
6. **Lors du sciage en long, utilisez toujours un garde parallèle ou un guide de coupe rectiligne.** La coupe sera plus précise et cela réduira les risques de pincement de la lame.
7. **Utilisez toujours des lames dont l'orifice central est de taille et de forme (diamantée ou circulaire) appropriées.** Si la lame utilisée n'est pas conçue pour la scie, elle tournera de manière excentrique et vous perdrez la maîtrise de l'outil.
8. **N'utilisez jamais de rondelles ou boulons endommagés ou inadéquats pour fixer la lame.** Les rondelles et le boulon ont été conçus exclusivement pour votre scie, afin d'assurer des performances optimales et une utilisation sûre.

Causes du choc en retour et avertissements afférents

- Le choc en retour est une réaction soudaine de l'outil qui peut survenir lorsque la lame est coincée, pincée ou désalignée : la scie, hors de contrôle, se soulève alors et quitte la pièce en se dirigeant vers l'utilisateur.
- Lorsque la lame se coince ou est pincée par le trait de scie qui se referme sur elle, elle se bloque et la réaction du moteur entraîne la projection de l'outil à grande vitesse vers l'utilisateur.
- Si la lame se tord ou se désaligne par rapport à la ligne de coupe, les dents arrière risquent de creuser la surface supérieure de la pièce à travailler ; la lame sortira alors du trait de scie et bondira vers l'utilisateur.

Le choc en retour est dû à une mauvaise utilisation de l'outil et/ou à des procédures ou conditions de travail inappropriées. Il peut être évité en prenant les mesures appropriées, telles que celles indiquées ci-dessous.

9. **Maintenez un maintien ferme à deux mains sur l'outil, et placez vos bras de sorte qu'ils puissent résister à la force du choc en retour. Placez-vous d'un côté ou de l'autre de la lame, jamais dans sa ligne de coupe.** Le choc en retour peut faire bondir l'outil vers l'arrière, mais l'utilisateur pourra alors maîtriser la force du choc en retour s'il prend les précautions nécessaires.
10. **Si la lame se pince ou si vous interrompez la coupe pour une raison quelconque, libérez la gâchette et maintenez la scie immobile dans la pièce à découper jusqu'à l'arrêt complet de la lame. N'essayez jamais de retirer la scie de la pièce ou de la faire reculer alors que la lame tourne encore, pour éviter tout risque de choc en retour.** Identifiez la cause du pincement de la lame et prenez les mesures correctives pour éliminer ladite cause.
11. **Avant de recommencer à scier la pièce, centrez la lame dans le trait de scie et assurez-vous que les dents ne pénètrent pas dans le matériau.** Si la lame se pince au moment du redémarrage de l'outil, elle risque de remonter jusqu'à l'utilisateur ou de causer un choc en retour.
12. **Placez un dispositif de soutien sous les grandes pièces pour réduire les risques de pincement et de choc en retour.** Les grandes pièces ont tendance à s'affaisser sous leur propre poids. Des dispositifs de soutien doivent être installés sous la pièce, de chaque côté, près de la ligne de coupe et des bords de la pièce.
13. **N'utilisez pas de lames émoussées ou endommagées.** Les lames mal affûtées ou mal fixées produisent un trait de scie étroit, entraînant une friction excessive, le pincement de la lame et un choc en retour.
14. **Serrez fermement et sûrement les leviers de verrouillage de la profondeur de coupe et du réglage de l'angle avant de procéder à la coupe.** Il existe un risque de pincement et de choc en retour si les réglages de la lame sont modifiés pendant la coupe.
15. **Soyez extrêmement prudent lorsque vous effectuez une « coupe en plongée » dans un mur ou toute autre surface derrière laquelle peuvent se trouver des objets non visibles.** La lame, après avoir traversé la surface, peut entrer en contact avec

ces objets et causer un choc en retour. Pour effectuer les coupes en plongée, rétractez le carter de protection inférieur à l'aide de la poignée rétractable.

Carter de protection inférieur

16. **Avant chaque utilisation, assurez-vous que le carter de protection inférieur se ferme correctement. N'utilisez pas l'outil si le carter de protection inférieur ne se déplace pas librement et ne se referme pas immédiatement. Évitez d'immobiliser ou de fixer le carter de protection inférieur en position ouverte.** Si l'outil tombe par accident, le carter de protection inférieur risque d'être endommagé. Soulevez le carter de protection inférieur à l'aide de la poignée rétractable et assurez-vous qu'il se déplace librement sans entrer en contact avec la lame ou toute autre partie de la scie, et ce quel que soit l'angle ou la profondeur de coupe.
17. **Vérifiez le fonctionnement et l'état du ressort du carter de protection inférieur. Le carter de protection et le ressort doivent être réparés avant utilisation s'ils ne fonctionnent pas correctement.** Le fonctionnement du carter de protection inférieur peut être ralenti par des pièces endommagées, des dépôts gluants ou l'accumulation de débris.
18. **Le carter de protection inférieur ne peut être rétracté manuellement que lors des coupes spéciales, comme par exemple les « coupes en plongées » et les « coupes composées ».** Soulevez le carter de protection inférieur à l'aide de la poignée rétractable et relâchez-le dès que la lame entre en contact avec le matériau. Pour tout autre type de coupe, laissez le carter de protection inférieur fonctionner automatiquement.
19. **Assurez-vous toujours que le carter de protection inférieur recouvre la lame avant de poser l'outil sur l'établi ou par terre.** L'outil risque de se déplacer vers l'arrière en coupant tout ce qui se trouve sur sa trajectoire si la lame n'est pas recouverte du protecteur et tourne encore. N'oubliez pas qu'il faut un certain temps avant que la lame s'arrête une fois la gâchette relâchée.
20. **Pour vérifier que le carter de protection inférieur se referme bien, ouvrez-le manuellement et relâchez-le. Assurez-vous également que la poignée rétractable ne touche pas le carter de l'outil.** Une lame exposée est TRÈS DANGEREUSE et peut causer de graves blessures.

Autres avertissements de sécurité

21. **N'appliquez jamais de pression latérale sur la lame pour l'arrêter.**
22. **DANGER :**
N'essayez pas de retirer le matériau coupé pendant que la lame tourne.
ATTENTION : La lame continue de tourner même une fois le contact coupé.
23. **Placez la partie la plus grande du socle de l'outil sur la partie de la pièce qui est solidement soutenue, non sur celle qui tombera une fois la coupe terminée.**
24. **N'essayez jamais de scier en plaçant la scie circulaire à l'envers dans un étau.** Cela est très dangereux et peut entraîner un accident grave.

25. Pendant l'utilisation de l'outil, portez des lunettes de protection ainsi que des protections auditives.
26. Utilisez toujours les lames spécifiées dans ce manuel. N'utilisez pas de disques abrasifs.

CONSERVEZ CES INSTRUCTIONS.

⚠ AVERTISSEMENT :
NE vous laissez **PAS** tromper (au fil d'une utilisation répétée) par un sentiment d'aisance et de familiarité avec le produit, en négligeant le respect rigoureux des consignes de sécurité qui accompagnent l'outil. Une **UTILISATION INCORRECTE** de l'outil ou le non-respect des consignes de sécurité indiquées dans ce manuel d'instructions peuvent causer des blessures graves.

CONSIGNES DE SÉCURITÉ IMPORTANTES

ENC007-8

POUR LA BATTERIE

1. Avant d'utiliser la batterie, veuillez lire toutes les instructions et tous les avertissements inscrits sur (1) le chargeur, (2) la batterie et (3) l'appareil alimenté par la batterie.
2. Ne démontez pas la batterie.
3. Cessez immédiatement d'utiliser l'outil si le temps de fonctionnement devient excessivement court. Il y a risque de surchauffe, de brûlures, voire d'explosion.
4. Si l'électrolyte pénètre dans vos yeux, rincez-les à l'eau claire et consultez immédiatement un médecin. Il y a risque de perte de la vue.
5. Évitez de court-circuiter la batterie :
 - (1) Ne touchez les bornes avec aucun matériau conducteur.
 - (2) Évitez de ranger la batterie dans un contenant où se trouvent d'autres objets métalliques tels que des clous, pièces de monnaie, etc.
 - (3) N'exposez pas la batterie à l'eau ou à la pluie. Un court-circuit de la batterie risque de provoquer un fort courant, une surchauffe, parfois des brûlures et même une panne.
6. Ne rangez pas l'outil ou la batterie dans des endroits où la température risque d'atteindre ou de dépasser 50°C (122°F).
7. Ne jetez pas la batterie au feu même si elle est sérieusement endommagée ou complètement épuisée. La batterie peut exploser au contact du feu.
8. Veillez à ne pas laisser tomber ou heurter la batterie.
9. N'utilisez pas de batterie endommagée.
10. Respectez les réglementations locales relatives à la mise au rebut des batteries.

CONSERVEZ CES INSTRUCTIONS.

Conseils pour assurer la durée de vie optimale de la batterie

1. Rechargez la batterie avant qu'elle ne soit complètement épuisée.
 Arrêtez toujours l'outil et rechargez la batterie quand vous constatez que la puissance de l'outil diminue.
2. Ne rechargez jamais une batterie complètement chargée.
 La surcharge réduit la durée de service de la batterie.
3. Chargez la batterie alors que la température de la pièce se trouve entre 10°C et 40°C (50°F et 104°F). Si une batterie est chaude, laissez-la refroidir avant de la charger.
4. Si vous n'utilisez pas l'outil pendant une période prolongée, rechargez la batterie tous les six mois.

DESCRIPTION DU FONCTIONNEMENT

ATTENTION :

- Assurez-vous toujours que l'outil est hors tension et que sa batterie est retirée avant d'ajuster l'outil ou de vérifier son fonctionnement.

Installation et retrait de la batterie (Fig. 1)

⚠ ATTENTION :

- Éteignez toujours l'outil avant d'installer ou de déposer la batterie.
- **Tenez fermement l'outil et la batterie lors de l'installation ou du retrait de la batterie.** Si vous ne tenez pas fermement l'outil et la batterie, ils risquent de glisser et de s'abîmer ou de vous blesser.

Pour retirer la batterie, faites glisser le bouton à l'avant de la batterie et sortez la batterie.

Pour installer la batterie, alignez sa languette sur la rainure qui se trouve à l'intérieur du carter, puis glissez la batterie pour la mettre en place. Insérez-la bien à fond, jusqu'à ce qu'elle se verrouille en émettant un léger clic. Si vous pouvez voir le voyant rouge sur la face supérieure du bouton, la batterie n'est pas parfaitement verrouillée.

⚠ ATTENTION :

- Installez toujours la batterie à fond, de sorte que le voyant rouge ne soit plus visible. Sinon, elle risque de tomber accidentellement de l'outil, en vous blessant ou en blessant une personne située près de vous.
- Ne forcez pas pour installer la batterie. Si la batterie ne glisse pas aisément, c'est qu'elle n'est pas insérée correctement.

Système de protection de la batterie (batterie au lithium-ion comportant une étoile) (Fig. 2)

Les batteries au lithium-ion comportant une étoile sont équipées d'un système de protection. Ce système coupe automatiquement l'alimentation en électricité vers l'outil afin de prolonger sa durée de vie.

L'outil s'arrête automatiquement pendant l'utilisation lorsqu'il et/ou la batterie se trouvent dans l'une des situations suivantes :

- **Surchargé :**
L'outil fonctionne de manière à créer un courant anormalement élevé.
Dans ce cas, relâchez la gâchette située sur l'outil et arrêtez l'application ayant provoqué la surcharge de l'outil. Ensuite, tirez à nouveau sur la gâchette pour redémarrer l'outil.
Si l'outil ne démarre pas, la batterie est en surchauffe. Dans ce cas, laissez la batterie refroidir avant d'appuyer à nouveau sur la gâchette.
- **Basse tension :**
L'autonomie restante est trop basse et l'outil ne fonctionnera pas. Dans ce cas, retirez la batterie et rechargez-la.

Réglage de la profondeur de coupe (Fig. 3)

ATTENTION :

- Après avoir ajusté la profondeur de coupe, serrez toujours fermement le levier.
- Desserrez le levier du côté de la poignée arrière puis déplacez la base vers le haut ou le bas. À la profondeur de coupe désirée, fixez la base en serrant le levier. Pour obtenir des coupes plus propres et les effectuer de manière plus sûre, réglez la profondeur de coupe de sorte que pas plus d'une dent de lame ne dépasse sous la pièce. Une profondeur de coupe adéquate aide à réduire les risques de dangereux CHOCS EN RETOUR et de blessures.

Visée (Fig. 4)

Lors de la coupe, alignez la position A sur le devant du socle avec votre ligne de coupe sur la pièce.

Interrupteur (Fig. 5)

ATTENTION :

- Avant d'insérer la batterie dans l'outil, vérifiez toujours que la gâchette fonctionne bien et revient en position d'arrêt lorsqu'elle est libérée.
- Ne forcez pas en tirant sur la gâchette sans avoir d'abord enfoncé le levier de sécurité. Vous risqueriez de casser la gâchette.

Un levier de sécurité est prévu pour prévenir la pression accidentelle sur la gâchette. Pour démarrer l'outil, appuyez sur le levier de sécurité puis appuyez sur la gâchette.

Pour l'arrêter, relâchez la gâchette.

AVERTISSEMENT :

- Pour assurer votre sécurité, cet outil est doté d'un levier de sécurité qui empêche le démarrage accidentel de l'outil. N'utilisez JAMAIS l'outil s'il se met en marche lorsque vous appuyez simplement sur la gâchette sans avoir tiré sur le levier de sécurité. Renvoyez l'outil à un centre de service après-vente Makita pour le faire réparer AVANT toute autre utilisation.
- Le levier de sécurité ne doit JAMAIS être immobilisé avec du ruban adhésif, ni modifié.

Allumage de la lampe (Fig. 6)

ATTENTION :

- Ne regardez pas directement la lumière ou la source de lumière.

Pour allumer la lumière sans démarrer l'outil, appuyez sur la gâchette sans enfoncer le levier de sécurité. Pour allumer la lumière et faire démarrer l'outil, enfoncez le levier de sécurité et appuyez sur la gâchette en laissant le levier enfoncé.

REMARQUE :

- Utilisez un coton-tige pour essuyer les saletés qui recouvrent la lentille de la lampe. Prenez garde de rayer la lentille de la lampe, sinon sa capacité d'éclairage sera affectée.
- N'utilisez pas d'essence, de diluant ou autre liquide similaire pour nettoyer la lentille de la lampe. L'objectif risque d'être endommagé si vous utilisez de telles substances.

ASSEMBLAGE

ATTENTION :

- Assurez-vous toujours que l'outil est hors tension et que la batterie est retirée avant d'effectuer toute intervention sur l'outil.

Enlèvement ou installation de la lame (Fig. 7)

ATTENTION :

- Assurez-vous que la lame est installée avec les dents orientées vers le haut à l'avant de l'outil.
- Utilisez exclusivement une clé Makita pour installer ou retirer la lame.

Pour retirer la lame, appuyez sur le blocage de l'arbre de sorte que la lame ne puisse pas tourner, et desserrez le boulon hexagonal à l'aide de la clé hexagonale, en tournant dans le sens inverse des aiguilles d'une montre. Retirez ensuite le boulon hexagonal, le flasque extérieur et la lame.

Pour poser la lame, suivez la procédure de retrait dans l'ordre inverse. ASSUREZ-VOUS D'AVOIR FERMEMENT SERRÉ LE BOULON HEXAGONAL EN TOURNANT DANS LE SENS DES AIGUILLES D'UNE MONTRE. (Fig. 8)

Lorsque vous changez de lame, vous devez retirer les copeaux et particules accumulés sur les carters de protection supérieur et inférieur. Ce nettoyage ne remplace cependant pas la vérification du bon fonctionnement du carter de protection inférieur avant chaque utilisation.

Rangement de la clé hexagonale (Fig. 9)

Lorsque vous n'utilisez pas la clé hexagonale, rangez-la comme indiqué sur l'illustration pour éviter de la perdre.

UTILISATION

ATTENTION :

- Insérez toujours la batterie bien à fond, jusqu'à ce quelle se verrouille en place. Si vous pouvez voir la partie rouge sur la face supérieure du bouton, la batterie n'est pas parfaitement verrouillée. Insérez-la à fond, jusqu'à ce que la partie rouge ne soit plus visible. Sinon, la batterie risque de tomber accidentellement de l'outil, en vous blessant ou en blessant une personne se trouvant près de vous.
- Assurez-vous de faire avancer l'outil doucement, en ligne droite. Le fait de forcer ou de tordre l'outil

causerait une surchauffe du moteur et un dangereux choc en retour, risquant d'entraîner une blessure grave.

- Si l'outil a fonctionné de façon continue jusqu'à ce que la batterie soit épuisée, laissez-le reposer pendant 15 minutes avant de recommencer avec une nouvelle batterie.
- Ne tentez jamais de vriller ou forcer l'outil pendant la coupe. Cela pourrait causer une surcharge du moteur ou un choc en retour dangereux pouvant provoquer des blessures graves à l'utilisateur.
- Mettez toujours des lunettes ou un masque de protection avant de commencer la coupe. **(Fig. 10)**

Tenez l'outil fermement. L'outil est doté d'une poignée avant et d'une poignée arrière. Tenez l'outil par ses deux poignées. Vous ne risquez pas de vous couper les mains si vous les utilisez toutes les deux pour tenir l'outil. Placez le socle de l'outil sur la pièce de sorte que la lame n'entre pas en contact avec quoi que ce soit d'autre.

Mettez ensuite l'outil sous tension et attendez que la lame ait atteint sa pleine vitesse. Ensuite, déplacez simplement l'outil vers l'avant sur la surface de la pièce, en le maintenant bien à plat et en le faisant avancer doucement, jusqu'à ce que la coupe soit terminée.

Pour des coupes propres, évitez de dévier de la ligne de coupe et faites avancer l'outil à une vitesse uniforme. Si la lame dévie de la ligne de coupe prévue, ne tentez pas de modifier la course de l'outil pour le forcer à revenir sur la ligne de coupe. Vous risqueriez de plier la lame et de provoquer un dangereux choc en retour pouvant causer de graves blessures. Libérez la gâchette, attendez l'arrêt complet de la lame, puis retirez l'outil. Réalignez l'outil sur une nouvelle ligne de coupe, puis reprenez la coupe. Évitez de vous exposer aux copeaux et particules éjectés par la scie. Portez des lunettes de protection pour réduire les risques de blessure.

Les rainures de visée sur le socle facilitent la vérification de la distance entre la partie avant de la lame et la pièce à découper, à partir du moment où la lame est réglée sur la profondeur maximale de coupe. **(Fig. 11)**

ATTENTION :

- N'utilisez pas de lame déformée ou fissurée. Remplacez-la par une lame neuve.
- N'entassez pas l'une sur l'autre les pièces que vous souhaitez découper.
- Ne tentez pas de découper de l'acier trempé, de l'acier inoxydable, du bois, du plastique, du béton, des tuiles, etc. **Coupez uniquement de l'acier doux et de l'aluminium.**
- Ne touchez ni la lame, ni la pièce, ni les copeaux à mains nues immédiatement après la coupe : ils risquent d'être extrêmement chauds et de vous brûler la peau.
- **Utilisez toujours des lames appropriées à votre découpe.** L'utilisation de lames non adéquates peut causer de mauvaises performances de découpe ou présenter un risque de blessures corporelles.

Garde parallèle (règle de guidage) (en option) (Fig. 12)

Le garde parallèle est pratique pour effectuer des coupes droites avec une très grande précision. Faites simplement glisser le garde parallèle le long du bord de la pièce en le gardant en position à l'aide de la vis de serrage qui se

trouve à l'avant du socle. Cela permet également d'effectuer plusieurs coupes d'une largeur uniforme.

MAINTENANCE

ATTENTION :

- Assurez-vous toujours que l'outil est hors tension et que la batterie est retirée avant d'y effectuer tout travail d'inspection ou d'entretien.
- N'utilisez jamais d'essence, de benzine, de diluant, d'alcool ou de produit similaire. Ces produits risquent de provoquer des décolorations, des déformations ou des fissures.

Inspection de la lame

- Avant chaque utilisation, vérifiez soigneusement l'absence de fissures ou de dommages sur la lame. Remplacez immédiatement toute lame fissurée ou endommagée.
- Dans le cas contraire, vous vous exposez à un choc en retour dangereux ou à une surcharge du moteur. Remplacez la lame par une lame neuve dès qu'elle ne coupe plus de façon efficace.
- **Les lames de la scie circulaire à métaux ne peuvent pas être aiguisées.**

Remplacement des charbons (Fig. 13)

Retirez et vérifiez les charbons régulièrement. Remplacez-les lorsqu'ils atteignent le repère d'usure. Gardez les charbons propres et libres de glisser dans les porte-charbons.

Les deux charbons doivent être remplacés en même temps. Utilisez uniquement des charbons identiques. Retirez les bouchons de porte-charbon à l'aide d'un tournevis.

Enlevez les charbons usés, insérez les neufs et remettez en place les bouchons de porte-charbon. **(Fig. 14)** Pour assurer la SÉCURITÉ et la FIABILITÉ du produit, toute réparation et tout travail d'entretien ou de réglage doivent être effectués par un Centre de service après-vente agréé Makita, avec des pièces de rechange Makita.

ACCESSOIRES FOURNIS EN OPTION

⚠ ATTENTION :

- Ces accessoires ou pièces complémentaires sont recommandés pour être utilisés avec l'outil Makita spécifié dans ce mode d'emploi. L'utilisation de tout autre accessoire ou pièce complémentaire peut comporter un risque de blessure. N'utilisez les accessoires ou pièces qu'aux fins auxquelles ils ont été conçus.

Pour obtenir plus de détails sur ces accessoires, contactez votre Centre de service local Makita.

- Lames à dents en carbure métallique
- Garde parallèle (règle de guidage)
- Vis à serrage à main M5 x 20
- Ressort de compression 6
- Clé hexagonale 5
- Lunettes de sécurité
- Batterie et chargeur Makita authentiques

REMARQUE :

- Certains éléments de la liste peuvent être inclus en tant qu'accessoires standard dans le coffret de l'outil envoyé. Ils peuvent varier suivant les pays.

Bruit

ENG905-1

Les niveaux de bruit pondéré A typiques ont été mesurés selon la norme EN60745 :

Niveau de pression sonore (L_{pA}) : 78 dB (A)

Incertitude (K) : 3 dB (A)

Le niveau de bruit peut dépasser 80 dB (A) lors de l'utilisation.

Portez des protections auditives.**Vibration**

ENG900-1

La valeur totale de vibration (somme du vecteur triaxial) déterminée selon la norme EN60745 :

Mode de fonctionnement : coupe de métal

Émission de vibrations ($a_{h,M}$) : 2,5 m/s²

Incertitude (K) : 1,5 m/s²

ENG901-1

- La valeur de l'émission des vibrations déclarée a été mesurée conformément à la méthode de test standard et peut être utilisée afin de comparer des outils entre eux.
- La valeur de l'émission des vibrations déclarée peut également être utilisée lors d'une évaluation préliminaire de l'exposition.

 AVERTISSEMENT :

- Selon la manière dont l'outil est utilisé, il est possible que l'émission des vibrations pendant l'utilisation réelle de l'outil électrique diffère de la valeur de l'émission déclarée.
- Veuillez à identifier les mesures de sécurité destinées à protéger l'opérateur et établies en fonction de l'estimation de l'exposition dans les conditions réelles d'utilisation (en prenant en compte toutes les étapes du cycle de fonctionnement, telles que les périodes de mise hors tension de l'outil, les périodes de fonctionnement au ralenti et les périodes de mise en route).

Pour les pays d'Europe uniquement

ENH101-16

Déclaration de conformité CE

Nous, Makita Corporation, en tant que fabricant responsable, déclarons que les machines Makita suivantes :

Nom de la machine :

Scie circulaire à métaux sans fils

N° de modèle/ Type : DCS550

sont fabriqués en série et

sont conformes aux directives européennes suivantes :

2006/42/CE

et sont produites conformément aux normes ou documents de normalisation suivants :

EN60745

La documentation technique est disponible auprès de :

Makita International Europe Ltd.

Technical Department,

Michigan Drive, Tongwell,

Milton Keynes, Bucks MK15 8JD, Angleterre

30. 1. 2009



Tomoyasu Kato

Directeur

Makita Corporation

3-11-8, Sumiyoshi-cho,

Anjo, Aichi, 446-8502, JAPAN

DEUTSCH (Originalanweisungen)

Erklärung der Gesamtdarstellung

- | | | |
|---------------------|------------------------|---------------------------------------|
| 1. Roter Bereich | 10. Entsperrungshebel | 19. Vorderer Griff |
| 2. Taste | 11. Lampe | 20. Hinterer Griff |
| 3. Akkublock | 12. Spindelarretierung | 21. Sichtkerben |
| 4. Sternmarkierung | 13. Sechskantschlüssel | 22. Klemmschraube |
| 5. Hebel | 14. Sechskantschraube | 23. Parallelanschlag (Führungslinial) |
| 6. Stellung A | 15. Außenflansch | 24. Verschleißgrenze |
| 7. Schnittlinie | 16. Sägeblatt | 25. Bürstenhalterkappe |
| 8. Gleitschuh | 17. Innenflansch | 26. Schraubendreher |
| 9. Ein/Aus-Schalter | 18. Tellerscheibe | |

TECHNISCHE ANGABEN

Modell	DCS550
Sägeblattdurchmesser	136 mm
Max. Schnitttiefe	51 mm
Leerlaufgeschwindigkeit (min ⁻¹)	3.600
Gesamtlänge	348 mm
Nettogewicht	2,6 kg
Nennspannung	18 V Gleichspannung

- Aufgrund unserer beständigen Forschungen und Weiterentwicklungen sind Änderungen an den hier angegebenen Technischen Daten ohne Vorankündigung vorbehalten.
- Die Technischen Daten und der Akkublock können in den einzelnen Ländern Abweichungen aufweisen.
- Gewicht, mit Akkublock, ermittelt gemäß EPTA-Verfahren 01/2003

Verwendungszweck

ENE066-1

Das Werkzeug wurde für das Sägen in Schmiedestahl und Aluminium entwickelt. Voraussetzung ist die Verwendung geeigneter Sägeblätter.

Allgemeine Sicherheitshinweise für Elektrowerkzeuge

GEA010-1

⚠️ WARNUNG Lesen Sie alle Sicherheitshinweise und Anweisungen sorgfältig durch. Wenn die Hinweise und Anweisungen nicht beachtet werden, besteht die Gefahr eines Stromschlags, Brands und/oder das Risiko von ernsthaften Verletzungen.

Bewahren Sie alle Hinweise und Anweisungen zur späteren Referenz gut auf.

SICHERHEITSHINWEISE ZUR AKKU-METALLSÄGE

GEB058-3

Schneidverfahren

1. **⚠️ GEFAHR:** Halten Sie Ihre Hände vom Schnittbereich und vom Sägeblatt fern. Halten Sie Ihre andere Hand auf dem Zusatzgriff oder dem Motorgehäuse. Nur mit beiden Händen am Werkzeug können Sie Schnittverletzungen durch das Sägeblatt vermeiden.
2. **Fassen Sie niemals unter das Werkstück.** Die Schutzvorrichtung bietet keinen Schutz vor dem Sägeblatt unter dem Werkstück.
3. **Passen Sie die Schnitttiefe an die Dicke des Werkstücks an.** Es sollte weniger als ein kompletter

Sägezahn des Sägeblatts unter dem Werkstück sichtbar sein.

4. **Halten Sie das zu schneidende Werkstück niemals in Ihren Händen oder über Ihrem Bein. Sichern Sie das Werkstück an einer stabilen Unterlage.** Es ist wichtig, dass Sie das Werkstück ordnungsgemäß abstützen, um Verletzungen, ein Verkanten des Sägeblatts oder den Verlust der Kontrolle zu vermeiden.
5. **Halten Sie das Elektrowerkzeug ausschließlich an den isolierten Griffflächen, wenn Sie unter Bedingungen arbeiten, bei denen das Schneidwerkzeug versteckte Kabel berühren kann.** Bei Kontakt mit einem stromführenden Kabel wird der Strom an die Metallteile des Elektrowerkzeugs und dadurch an den Bediener weitergeleitet, und der Bediener erleidet einen Stromschlag.
6. **Verwenden Sie bei Längsschnitten immer einen Parallelanschlag oder eine Führungsschiene.** Dies verbessert den Präzisionsschnitt und verringert die Gefahr des Verkantens des Sägeblatts.
7. **Verwenden Sie stets Sägeblätter in der richtigen Größe und Form (Raute statt Kreis) des Aufnahme Lochs.** Sägeblätter, die nicht den Montage teilen des Werkzeugs entsprechen, laufen exzentrisch, und führen zum Kontrollverlust.
8. **Verwenden Sie niemals defekte oder vom Original abweichende Sägeblatt-Befestigungsscheiben oder -schrauben.** Die Unterlegscheiben und Bolzen wurden eigens für Ihr Werkzeug entwickelt, um einen Betrieb mit optimaler Leistung und Sicherheit zu gewährleisten.

Ursachen für Rückschlag und entsprechende Warnhinweise

- Ein Rückschlag entsteht als plötzliche Reaktion auf ein eingeklemmtes, fest sitzendes oder falsch ausgerichtetes Sägeblatt und führt zum unkontrollierten Springen des Werkzeugs aus dem Werkstück zum Bediener.
- Wenn das Sägeblatt abgeklemmt ist oder durch den sich nach unten abschließenden Schlitz fest eingefasst ist, verkantet es sich und die Motorkraft lässt die Säge schnell in Richtung des Bedieners springen.
- Wenn sich das Sägeblatt im Schnitt dreht oder verschiebt, können die Zähne an der hinteren Kante des Sägeblatts in die Oberfläche des Werkstücks hineinragen und dazu führen, dass das Sägeblatt aus dem Schlitz tritt und zurück in Richtung des Bedieners springt.

Rückschläge werden durch eine falsche Handhabung des Werkzeugs und/oder unsachgemäße Bedienschritte oder -umstände verursacht und können durch die unten aufgeführten Maßnahmen vermieden werden.

9. **Halten Sie das Werkzeug stets mit beiden Händen gut fest und legen Sie Ihre Arme so an, dass Sie Rückschläge abwehren können. Stellen Sie sich seitlich zum Sägeblatt hin, niemals in einer Linie mit dem Sägeblatt.** Ein Rückschlag könnte dazu führen, dass das Werkzeug nach hinten springt. Rückschlagkräfte können jedoch bei korrekten Vorkehrungen vom Bediener kontrolliert werden.
10. **Wenn das Sägeblatt sich verkantet oder Sie den Sägevorgang aus irgendeinem Grund unterbrechen, betätigen Sie den Auslöser und halten Sie das Werkzeug bis zum kompletten Stillstand des Sägeblatts im Material, ohne es dabei zu bewegen. Versuchen Sie niemals, das Werkzeug bei laufendem Sägeblatt aus dem Werkstück zu entfernen oder nach hinten herauszuziehen, da dies zu einem RÜCKSCHLAG führen kann.** Überprüfen Sie die Ursache für das Verkanten des Sägeblatts und ergreifen Sie Korrekturmaßnahmen.
11. **Wenn Sie das Werkzeug im Werkstück erneut starten, setzen Sie das Sägeblatt mittig in den Schlitz ein und stellen Sie sicher, dass die Sägezähne nicht in das Material greifen.** Falls sich das Sägeblatt verkantet, kann es beim erneuten Starten des Werkzeugs hochspringen oder vom Werkstück zurückschlagen.
12. **Große Werkstücke müssen abgestützt werden, um die Gefahr des Einklemmens des Sägeblatts oder eines Rückschlags zu vermeiden.** Große Werkstücke können sich unter ihrem eigenen Gewicht durchbiegen. Unter dem Werkstück sind nahe der Schnittlinie und nahe den Werkstückkanten beidseitig Stützen zu platzieren.
13. **Verwenden Sie keine stumpfen oder beschädigten Sägeblätter.** Stumpfe oder falsch eingesetzte Sägeblätter führen zu einer sehr engen Schnittfuge, die eine hohe Reibung, ein Verkanten des Sägeblatts und einen Rückschlag zur Folge haben kann.
14. **Stellen Sie vor Arbeitsbeginn sicher, dass die Feststellhebel für die Blatttiefe und die Gehrungseinstellung fest angezogen sind.** Wenn sich die Einstellung des Sägeblatts beim Sägen

verschiebt, kann dies zum Verkanten oder zu einem Rückschlag des Sägeblatts führen.

15. **Seien Sie besonders vorsichtig, wenn Sie einen „Tauschschnitt“ in Wänden oder anderen abgeschirmten Bereichen ausführen.** Das vordringende Sägeblatt schneidet möglicherweise in Gegenstände, die einen Rückschlag verursachen können. Ziehen Sie bei Tauschschnitten die bewegliche Schutzhaube mit Hilfe des Hebels nach hinten.

Funktion der beweglichen Schutzhaube

16. **Prüfen Sie vor jeder Inbetriebnahme, dass die bewegliche Schutzhaube korrekt schließt. Verwenden Sie das Werkzeug niemals, wenn sich die Schutzhaube nicht ungehindert bewegen und unverzüglich schließen lässt. Die bewegliche Schutzhaube darf niemals in der geöffneten Stellung festgeklemmt oder festgebunden werden.** Wenn Sie das Werkzeug versehentlich fallen lassen, kann sich die bewegliche Schutzhaube verbiegen. Ziehen Sie zum Öffnen der beweglichen Schutzhaube den Hebel und stellen Sie sicher, dass dieser frei beweglich ist und das Sägeblatt oder andere Teile in keinem Schnittwinkel und keiner Schnitttiefe berührt.
17. **Überprüfen Sie die Funktion und den Zustand der Feder für die bewegliche Schutzhaube. Wenn Schutzhaube und/oder Feder nicht ordnungsgemäß funktionieren, müssen diese vor der Inbetriebnahme repariert werden.** Die bewegliche Schutzhaube kann aufgrund von beschädigten Teilen, Gummirückständen oder Ablagerungen unter Umständen in ihrer Funktionsweise beeinträchtigt sein.
18. **Die bewegliche Schutzhaube darf nur für spezielle Schnitte wie z. B. „Tauschschnitt“ und „Kombinationsschnitt“ von Hand zurückgeschoben werden.** Ziehen Sie zum Öffnen der beweglichen Schutzhaube den Hebel nach hinten und lassen Sie den Hebel los, sobald das Sägeblatt in das Material eindringt. Für alle anderen Sägearbeiten muss die bewegliche Schutzhaube automatisch betätigt werden.
19. **Achten Sie stets darauf, dass die bewegliche Schutzhaube das Sägeblatt abdeckt, bevor Sie das Werkzeug auf die Werkbank oder den Boden legen.** Ein ungeschütztes, noch nachlaufendes Sägeblatt führt dazu, dass das Werkzeug nach hinten läuft und dabei alles zersägt, was ihm im Weg steht. Beachten Sie, dass das Sägeblatt nach dem Loslassen des Schalters einige Zeit nachläuft, bevor es zum Stillstand kommt.
20. **Für die Funktionsprüfung der beweglichen Schutzhaube öffnen Sie diese von Hand, lassen Sie sie los und beobachten Sie das Schließverhalten. Stellen Sie auch sicher, dass der zurückschiebbare Griff das Werkzeuggehäuse nicht berührt.** Ein frei liegendes Sägeblatt ist SEHR GEFÄHRLICH und kann zu schweren Verletzungen führen.

Zusätzliche Sicherheitshinweise

21. **Bremsen Sie die Maschine nicht durch seitlichen Druck auf das Sägeblatt ab.**

22. **GEFAHR:**
Versuchen Sie niemals, abgesägtes Material zu entfernen, während das Sägeblatt läuft.
ACHTUNG: Das Sägeblatt läuft nach dem Ausschalten nach.
23. Setzen Sie das Werkzeug mit der großen Auflagefläche des Gleitschuhs auf den Teil des Werkstücks, der fest abgestützt wird, und nicht auf das abzuschneidende Material.
24. Versuchen Sie niemals, das Werkzeug nach unten gerichtet in einen Schraubstock zu spannen. Dies ist äußerst gefährlich und kann zu schweren Unfällen führen.
25. Tragen Sie bei der Arbeit eine Schutzbrille und Gehörschutz.
26. Verwenden Sie stets die in diesem Handbuch empfohlenen Sägeblätter. Verwenden Sie keine Schleifscheiben.

BEWAHREN SIE DIESE ANLEITUNG SORGFÄLTIG AUF.

⚠️ WARNUNG:

Lassen Sie sich NIE aus Bequemlichkeit oder (aus fortwährendem Gebrauch gewonnener) Vertrautheit mit dem Werkzeug dazu verleiten, die Sicherheitsregeln für das Werkzeug zu missachten. Bei **MISSBRÄUCLICHER** Verwendung des Werkzeugs oder bei Missachtung der in diesem Handbuch enthaltenen Sicherheitshinweise kann es zu schweren Verletzungen kommen.

WICHTIGE SICHERHEITSREGELN

ENC007-8

FÜR AKKUBLOCK

1. Lesen Sie vor der Verwendung des Akkublocks alle Anweisungen und Sicherheitshinweise für das Akkuladegerät (1), den Akku (2) und das Produkt (3), für das der Akku verwendet wird, sorgfältig durch.
2. Der Akkublock darf nicht zerlegt werden.
3. Falls die Betriebsdauer erheblich kürzer wird, beenden Sie den Betrieb umgehend. Andernfalls besteht die Gefahr einer Überhitzung sowie das Risiko möglicher Verbrennungen und sogar einer Explosion.
4. Wenn Elektrolyt in Ihre Augen gerät, waschen Sie diese mit klarem Wasser aus und suchen Sie sofort einen Arzt auf. Andernfalls können Sie Ihre Sehfähigkeit verlieren.
5. Vermeiden Sie einen Kurzschluss des Akkublocks:
 - (1) Die Kontakte dürfen nicht mit leitendem Material in Berührung kommen.
 - (2) Der Akkublock darf nicht in einem Behälter aufbewahrt werden, in dem sich andere metallische Gegenstände wie beispielsweise Nägel, Münzen usw. befinden.
 - (3) Der Akkublock darf weder Feuchtigkeit noch Regen ausgesetzt werden.

Ein Kurzschluss des Akkus kann zu hohem Kriechstrom, Überhitzung, möglichen

- Verbrennungen und sogar zu einer Zerstörung des Werkzeugs führen.
6. Werkzeug und Akkublock dürfen nicht an Orten aufbewahrt werden, an denen Temperaturen von 50°C oder darüber erreicht werden können.
 7. Beschädigte oder verbrauchte Akkus dürfen nicht verbrannt werden. Der Akkublock kann in den Flammen explodieren.
 8. Lassen Sie den Akku nicht fallen und vermeiden Sie Schläge gegen den Akku.
 9. Verwenden Sie niemals einen beschädigten Akku.
 10. Befolgen Sie die in Ihrem Land geltenden Bestimmungen bzgl. der Entsorgung von Akkus.

BEWAHREN SIE DIESE ANLEITUNG SORGFÄLTIG AUF.

Tipps für eine maximale Nutzungsdauer von Akkus

1. Laden Sie den Akkublock auf, bevor der Akku vollständig entladen ist.
Sobald Sie eine verringerte Leistung des Werkzeugs bemerken, beenden Sie stets den Betrieb des Werkzeugs und laden Sie den Akkublock auf.
2. Ein voll aufgeladener Akkublock darf niemals erneut geladen werden.
Durch Überladungen wird die Lebensdauer des Akkus verkürzt.
3. Laden Sie den Akkublock bei einer Zimmertemperatur von 10°C bis 40°C auf. Lassen Sie einen heißen Akkublock vor dem Aufladen abkühlen.
4. Laden Sie den Akkublock aller sechs Monate auf, wenn Sie diesen für längere Zeit nicht verwenden.

FUNKTIONSBESCHREIBUNG

ACHTUNG:

- Schalten Sie das Werkzeug stets aus, und entfernen Sie den Akkublock, bevor Sie Einstellungen oder eine Funktionsprüfung des Werkzeugs vornehmen.

Montage und Demontage des Akkublocks (Abb. 1)

⚠️ ACHTUNG:

- Schalten Sie das Werkzeug stets aus, bevor Sie den Akkublock einsetzen oder abnehmen.
- Halten Sie das Werkzeug und den Akkublock sicher fest, wenn Sie den Akkublock einsetzen oder herausnehmen. Andernfalls könnte Ihnen das Werkzeug oder der Akkublock aus den Händen fallen, sodass das Werkzeug oder der Akkublock beschädigt werden oder diese Verletzungen verursachen.

Zum Abnehmen des Akkublocks müssen Sie die Taste auf der Vorderseite des Akkublocks schieben und gleichzeitig den Akkublock aus dem Gerät herausziehen. Zum Einsetzen des Akkublocks müssen Sie die Zunge des Akkublocks an der Rille im Gehäuse ausrichten und in die gewünschte Position schieben. Setzen Sie den Akkublock ganz ein, bis er mit einem Klick einrastet. Wenn Sie den roten Bereich oben auf der Taste sehen können, ist der Batterieadapter nicht ganz eingerastet.

! ACHTUNG:

- Setzen Sie den Akkublock unbedingt ganz ein, bis der rote Bereich nicht mehr zu sehen ist. Andernfalls kann der Akkublock versehentlich aus dem Werkzeug fallen und Sie oder umstehende Personen verletzen.
- Wenden Sie beim Einsetzen des Akkublocks keine Gewalt an. Wenn der Akkublock nicht leicht hineingleitet, ist er nicht richtig angesetzt.

Akku-Schutzsystem (Lithium-Ionen-Akku mit Sternmarkierung) (Abb. 2)

Lithium-Ionen-Akkus mit einer Sternmarkierung verfügen über ein Schutzsystem. Dieses System schaltet die Stromversorgung des Werkzeugs automatisch aus, um die Lebensdauer des Akkus zu verlängern.

Unter folgenden Bedingungen des Werkzeugs und/oder des Akkus kann das Werkzeug während des Betriebs automatisch stoppen:

- Überlastet:
Das Werkzeug wird auf eine Weise betrieben, die zu einer anormal hohen Stromaufnahme führt. Lassen Sie in dieser Situation den Ein/Aus-Schalter des Werkzeugs los und beenden Sie die Arbeiten, die zu der Überlastung des Werkzeugs geführt haben. Betätigen Sie anschließend den Ein/Aus-Schalter wieder, um das Werkzeug wieder in Betrieb zu nehmen.
Wenn das Werkzeug nicht startet, ist der Akku überhitzt. Lassen Sie in dieser Situation den Akku erst abkühlen, bevor Sie wieder den Ein/Aus-Schalter betätigen.
- Spannung des Akkus zu niedrig:
Die noch vorhandene Akkuladung ist zu niedrig, und das Werkzeug startet nicht. Entnehmen Sie in dieser Situation den Akku und laden Sie den Akku wieder auf.

Frästiefe einstellen (Abb. 3)

ACHTUNG:

- Ziehen Sie den Hebel nach der Einstellung der Schnitttiefe stets fest an.

Lösen Sie den Hebel an der Tiefenführung, und verstellen Sie den Gleitschuh nach oben oder unten. Arretieren Sie den Gleitschuh an der gewünschten Schnitttiefe durch Festziehen des Hebels.

Für einen sauberen, sicheren Schnitt setzen Sie die Schnitttiefe so, dass nur maximal ein Sägeblattzahn unter dem Werkstück herausragt. Die Verwendung der richtigen Schnitttiefe minimiert die Gefahr von RÜCKSCHLÄGEN, die zu Personenschäden führen können.

Schnittlinie (Abb. 4)

Richten Sie beim Sägen die Stellung A vorne am Gleitschuh an Ihrer Schnittlinie am Werkstück aus.

Bedienung des Schalters (Abb. 5)

ACHTUNG:

- Achten Sie vor dem Einsetzen des Akkublocks in das Werkzeug darauf, dass sich der Ein/Aus-Schalter korrekt bedienen lässt und beim Loslassen auf die Position „OFF“ (AUS) zurückkehrt.
- Betätigen Sie niemals mit Gewalt die Auslöseschaltung, ohne dabei den Entsperrungshebel

zu drücken. Dies kann zu einer Beschädigung des Schalters führen.

Um die versehentliche Betätigung der Auslöseschaltung zu verhindern, ist das Werkzeug mit einem Entsperrungshebel ausgestattet. Um das Werkzeug zu starten, drücken Sie zuerst den Entsperrungshebel, und betätigen Sie den Ein-/Aus-Schalter. Lassen Sie zum Ausschalten des Werkzeugs den Ein-/Aus-Schalter los.

WARNUNG:

- Zu Ihrer Sicherheit ist das vorliegende Werkzeug mit einem Entsperrungshebel ausgestattet, um zu verhindern, dass das Werkzeug versehentlich gestartet wird. Verwenden Sie NIEMALS das Werkzeug, wenn es durch einfaches Betätigen der Auslöseschaltung, ohne dass Sie dabei den Entsperrungshebel drücken, startet. Geben Sie VOR dem weiteren Gebrauch das Werkzeug an ein MAKITA Servicecenter, um es dort ordnungsgemäß reparieren zu lassen.
- Kleben Sie NIEMALS den Entsperrungshebel zu oder verändern diesen, so dass er seinen Zweck und seine Funktion nicht mehr erfüllt.

Einschalten der Lampe (Abb. 6)

ACHTUNG:

- Schauen Sie nicht direkt in das Licht oder in die Lichtquelle.

Wenn Sie nur die Lampe einschalten möchten, ziehen Sie die Auslöseschaltung ohne Drücken des Entsperrungshebels. Wenn Sie hingegen die Lampe einschalten und das Werkzeug in Betrieb nehmen möchten, drücken Sie den Entsperrungshebel, und ziehen Sie bei gedrücktem Entsperrungshebel die Auslöseschaltung.

HINWEIS:

- Wischen Sie Schmutz auf der Lampenlinse mit einem Wattestäbchen ab. Achten Sie darauf, die Lampenlinse nicht zu zerkratzen, da dies die Beleuchtungsstärke mindern kann.
- Verwenden Sie zur Reinigung der Linse kein Benzin, keinen Verdünner oder Ähnliches. Die Verwendung solcher Flüssigkeiten beschädigt die Linse.

MONTAGE

ACHTUNG:

- Schalten Sie das Werkzeug stets aus, und entfernen Sie den Akkublock, bevor Sie Arbeiten am Werkzeug ausführen.

Montage und Demontage des Sägeblatts (Abb. 7)

ACHTUNG:

- Montieren Sie das Sägeblatt so, dass seine Zähne an der Vorderseite der Maschine nach oben zeigen.
- Verwenden Sie nur den mitgelieferten Schraubenschlüssel von Makita zum Demontieren oder Montieren des Sägeblatts.

Zur Demontage des Sägeblatts drücken Sie die Spindelarretierung, um ein Drehen des Sägeblatts zu verhindern, und lösen Sie die Sechskantschraube durch Linksdrehung des Schraubenschlüssels. Nehmen Sie

dann Sechskantschraube, Außenflansch und Sägeblatt ab.

Zum Montieren des Sägeblatts befolgen Sie die Einbauprozedur rückwärts. DIE SCHRAUBE IM UHRZEIGERSINN FEST ANZIEHEN. (Abb. 8)
Vergessen Sie beim Austausch des Sägeblatts nicht, die angefallenen Sägespäne und Staubpartikel vom oberen und unteren Blattschutz zu entfernen. Dies ersetzt jedoch nicht vor jeder Inbetriebnahme die Überprüfung der Funktion der beweglichen Schutzhaube.

Aufbewahrung des Sechskantschlüssels (Abb. 9)

Wenn Sie den Sechskantschlüssel nicht verwenden, bewahren Sie ihn wie in der Abbildung dargestellt auf, damit er nicht verloren geht.

BETRIEB

ACHTUNG:

- Schieben Sie den Akkublock stets vollständig ein, bis er einrastet. Wenn Sie den roten Bereich oben auf der Taste sehen können, ist der Block nicht ganz eingerastet. Setzen Sie ihn ganz ein, bis der rote Bereich nicht mehr zu sehen ist. Andernfalls kann der Block versehentlich aus dem Werkzeug fallen und Sie oder Personen in Ihrem Umfeld verletzen.
- Schieben Sie das Werkzeug beim Schneiden stets sachte vor. Übermäßige Druckausübung oder Verdrehen des Werkzeugs bewirken eine Überhitzung des Motors und gefährliche Rückschläge, die möglicherweise zu schweren Verletzungen führen können.
- Wenn das Werkzeug bis zur vollständigen Entladung des Akkus betrieben wurde, lassen Sie es 15 Minuten liegen, bevor Sie mit einem neuen Akku fortfahren.
- Üben Sie im Schnitt keinen übermäßigen Druck auf das Werkzeug aus. Es darf auch nicht verdreht werden. Dies kann zu einer Überlastung des Motors und/oder einem gefährlichen Rückschlag führen, wodurch sich der Bediener ernsthaft verletzen kann.
- Setzen Sie vor dem Betrieb stets einen Augenschutz oder eine Schutzbrille auf. (Abb. 10)

Halten Sie das Werkzeug mit festem Griff. Das Werkzeug verfügt sowohl über einen vorderen als auch einen hinteren Griff. Verwenden Sie beide Griffe, um so bestmöglich das Werkzeug zu umfassen. Nur mit beiden Händen am Werkzeug können Sie Schnittverletzungen durch das Sägeblatt vermeiden. Setzen Sie den Gleitschuh auf das zu schneidende Werkstück auf, ohne dass das Sägeblatt mit ihm in Berührung kommt. Schalten Sie anschließend das Werkzeug ein und warten Sie, bis das Sägeblatt die volle Drehzahl erreicht hat. Schieben Sie nun das Werkzeug flach und gleichmäßig über die Oberfläche des Werkstücks vor, bis der Schnitt vollendet ist.

Um saubere Schnitte zu erzielen, halten Sie eine gerade Schnittlinie und eine gleichmäßige Vorschubgeschwindigkeit ein. Wenn der Schnitt nicht genau Ihrer beabsichtigten Schnittlinie folgt, versuchen Sie nicht, das Werkzeug zurück zur Schnittlinie zu drehen oder mit Gewalt zu schieben. Dies kann zum Einklemmen des Sägeblatts führen und somit zu einem gefährlichen Rückschlag und möglicherweise zu schweren Verletzungen. Betätigen Sie den Schalter, warten Sie auf

den Stillstand des Sägeblatts, und ziehen Sie dann das Werkzeug zurück. Setzen Sie das Werkzeug an der neuen Schnittlinie an, und starten Sie den Sägevorgang erneut. Versuchen Sie dabei, Positionen zu vermeiden, in denen der Bediener den herausgeschleuderten Sägespänen und Staubpartikeln ausgesetzt ist. Tragen Sie eine Schutzbrille, um Verletzungen zu vermeiden. Die Sichtkerben im Gleitschuh ermöglichen eine einfache Überprüfung des Abstands zwischen der vorderen Sägeblattkante und dem Werkzeug, wenn das Sägeblatt auf die maximale Schnitttiefe eingestellt ist. (Abb. 11)

ACHTUNG:

- Verwenden Sie keine verformten oder gesprungenen Sägeblätter. Derartige Blätter müssen durch neue ersetzt werden.
- Sägen Sie kein aufeinander gestapeltes Material.
- Folgende Materialien dürfen nicht gesägt werden: Gehärteter Stahl, Edelstahl, Holz, Kunststoff, Beton, Steinplatten usw. **Dieses Werkzeug wurde ausschließlich für das Sägen von Schmiedestahl und Aluminium entwickelt.**
- Berühren Sie kurz nach dem Betrieb nicht das Blatt, Werkstück oder Sägespäne. Diese können extrem heiß sein und zu Verbrennungen führen.
- **Verwenden Sie stets Blätter, die sich für die jeweilige Arbeit eignen.** Die Verwendung falscher Sägeblätter kann zu einer mangelhaften Schnittleistung führen und/oder das Risiko von Verletzungen bergen.

Parallelanschlag (Führungslinial) (Zubehör) (Abb. 12)

Der praktische Parallelanschlag ermöglicht die Ausführung besonders genauer Geradschnitte. Schieben Sie den Parallelanschlag einfach satt anliegend gegen die Werkstückkante, und sichern Sie ihn mit der Feststellschraube an der Vorderseite des Gleitschuhs. Wiederholte Schnitte auf gleicher Breite sind ebenfalls möglich.

WARTUNG

ACHTUNG:

- Schalten Sie das Werkzeug stets aus und entfernen Sie den Akkublock, bevor Sie Inspektionen oder Wartungsarbeiten am Werkzeug vornehmen.
- Verwenden Sie zum Reinigen niemals Kraftstoffe, Benzin, Verdünner, Alkohol oder ähnliches. Dies kann zu Verfärbungen, Verformungen oder Rissen führen.

Überprüfung des Sägeblatts

- Überprüfen Sie das Sägeblatt vor und nach dessen Gebrauch sorgfältig auf Risse oder sonstige Beschädigungen. Wechseln Sie ein gesprungenes oder beschädigtes Sägeblatt unverzüglich aus.
- Wird ein stumpfes Sägeblatt weiterhin verwendet, können gefährliche Rückschläge und/oder eine Überlastung des Motors auftreten. Sobald ein Sägeblatt nicht mehr effektiv schneidet, muss es durch ein neues Blatt ersetzt werden.
- **Die Sägeblätter für Metallsägen können nicht neu geschliffen werden.**

Austausch der Kohlebürsten (Abb. 13)

Entfernen und überprüfen Sie die Kohlebürsten in regelmäßigen Abständen.

Ersetzen Sie diese, wenn sie bis zur Verschleißgrenze abgenutzt sind. Halten Sie die Kohlebürsten sauber und sorgen Sie dafür, dass sie locker in den Halterungen liegen.

Beide Kohlebürsten sollten gleichzeitig ersetzt werden. Verwenden Sie nur identische Kohlebürsten.

Verwenden Sie einen Schraubendreher, um die Bürstenhalterkappen zu entfernen.

Entnehmen Sie die verbrauchten Kohlebürsten, legen Sie die neuen ein und bringen Sie die Bürstenhalterkappen wieder fest an. (Abb. 14)

Um die SICHERHEIT und ZUVERLÄSSIGKEIT des Produkts zu gewährleisten, sollten Reparaturen, Wartungsarbeiten und Einstellungen nur durch von Makita autorisierte Servicecenter durchgeführt und immer Makita-Ersatzteile verwendet werden.

SONDERZUBEHÖR

⚠ ACHTUNG:

- Für das in diesem Handbuch beschriebene Makita-Gerät werden die folgenden Zubehör- und Zusatzteile empfohlen. Bei Verwendung anderer Zubehör- und Zusatzteile kann es zu Verletzungen kommen. Verwenden Sie Zubehör- und Zusatzteile nur für den vorgesehenen Zweck.

Informationen zu diesem Zubehör erhalten Sie von Ihrem Makita-Servicecenter.

- Sägeblätter mit Hartmetallspitzen
- Parallelanschlag (Führungslinéal)
- Schraubzwinde M5 x 20
- Druckfeder 6
- Sechskantschlüssel 5
- Schutzbrille
- Originalakku und Ladegerät von Makita

HINWEIS:

- Einige der in der Liste aufgeführten Elemente sind dem Werkzeugpaket als Standardzubehör beigelegt. Diese können in den einzelnen Ländern voneinander abweichen.

Schall

ENG905-1

Typischer A-bewerteter Schalldruckpegel nach EN60745:

Schalldruckpegel (L_{pA}): 78 dB (A)

Unsicherheit (K): 3 dB (A)

Unter Arbeitsbedingungen kann der Schallpegel 80 dB (A) überschreiten.

Tragen Sie Gehörschutz.

Schwingung

ENG900-1

Schwingungsgesamtwerte (Vektorsumme dreier Achsen) nach EN60745:

Arbeitsmodus: Schneiden von Metall

Schwingungsbelastung ($a_{h,M}$): 2,5 m/s²

Unsicherheit (K): 1,5 m/s²

ENG901-1

- Der hier angegebene Wert für die erzeugten Schwingungen wurde gemäß dem genormten Testverfahren ermittelt und kann als Vergleich zu anderen Werkzeugen herangezogen werden.

- Der angegebene Wert für die erzeugten Schwingungen ist außerdem für eine vorbeugende Bewertung der Belastung zu verwenden.

⚠ WARNUNG:

- Die Schwingungsbelastung kann bei tatsächlichem Gebrauch des Elektrowerkzeugs in Abhängigkeit von der Handhabung des Elektrowerkzeugs von dem hier aufgeführten Wert abweichen.
- Stellen Sie sicher, dass Schutzmaßnahmen für den Bediener getroffen werden, die auf den unter den tatsächlichen Arbeitsbedingungen zu erwartenden Belastungen beruhen (beziehen Sie alle Bestandteile des Arbeitsablaufs ein, also zusätzlich zu den Arbeitszeiten auch Zeiten, in denen das Werkzeug ausgeschaltet ist oder ohne Last läuft).

Nur für europäische Länder

ENH101-16

EG-Konformitätserklärung

Wir, Makita Corporation als verantwortlicher

Hersteller, erklären, dass das/die folgenden Gerät/

Geräte der Marke Makita:

Bezeichnung des Geräts:

Akku-Metallsäge

Nummer / Typ des Modells: DCS550

in Serienfertigung hergestellt werden und

den folgenden Richtlinien der Europäischen Union genügen:

2006/42/EG

Außerdem werden die Geräte gemäß den folgenden Standards oder Normen gefertigt:

EN60745

Die technische Dokumentation erfolgt durch:

Makita International Europe Ltd.

Technical Department,

Michigan Drive, Tongwell,

Milton Keynes, Bucks MK15 8JD, England

30. 1. 2009



Tomoyasu Kato

Direktor

Makita Corporation

3-11-8, Sumiyoshi-cho,

Anjo, Aichi, 446-8502, JAPAN

ITALIANO (Istruzioni originali)

Spiegazione della vista generale

- | | | |
|--------------------------|--------------------------|------------------------------------|
| 1. Indicatore rosso | 10. Sicura di accensione | 19. Impugnatura anteriore |
| 2. Pulsante | 11. Lampada | 20. Impugnatura posteriore |
| 3. Batteria | 12. Blocco dell'albero | 21. Scanalature spia |
| 4. Contrassegno a stella | 13. Chiave esagonale | 22. Vite di serraggio |
| 5. Leva | 14. Bullone esagonale | 23. Guida di taglio (regolo guida) |
| 6. Posizione A | 15. Flangia esterna | 24. Indicatore di limite |
| 7. Linea di taglio | 16. Lama della sega | 25. Coperchio portaspazzola |
| 8. Base | 17. Flangia interna | 26. Cacciavite |
| 9. Interruttore | 18. Rondella concava | |

CARATTERISTICHE TECNICHE

Modello	DCS550
Diametro lama	136 mm
Profondità massima di taglio	51 mm
Velocità a vuoto (min ⁻¹)	3.600
Lunghezza totale	348 mm
Peso netto	2,6 kg
Tensione nominale	18 V CC

- Le caratteristiche tecniche riportate di seguito sono soggette a modifiche senza preavviso in virtù del nostro programma continuo di ricerca e sviluppo.
- Le caratteristiche tecniche e le batterie possono differire da paese a paese.
- Peso, comprensivo di batterie, calcolato in base alla Procedura EPTA 01/2003

Uso previsto

ENE066-1

L'utensile deve essere utilizzato solamente per il taglio di acciaio dolce e alluminio con le lame adatte.

Avvertenze generali di sicurezza per l'uso dell'utensile

GEA010-1

⚠ AVVERTENZA Leggere attentamente tutte le avvertenze di sicurezza e le istruzioni. La mancata osservanza delle istruzioni e delle avvertenze riportate di seguito potrebbe provocare scosse elettriche, incendi e/o lesioni gravi.

Conservare le avvertenze e le istruzioni per riferimenti futuri.

AVVERTENZE DI SICUREZZA PER LA SEGA CIRCOLARE A BATTERIA PER METALLO

GEA058-3

Procedure di taglio

1. **⚠ PERICOLO:** Mantenere le mani lontane dall'area di taglio e dalla lama. Posizionare la mano che non impugna l'utensile sulla maniglia ausiliaria o sull'alloggiamento del motore. Se entrambe le mani vengono utilizzate per tenere l'utensile, non potranno essere colpite dalla lama.
2. **Non osservare il pezzo in lavorazione dalla parte inferiore.** Il coprilama non offre alcuna protezione dalla lama al di sotto del pezzo in lavorazione.
3. **Regolare la profondità di taglio in base allo spessore del pezzo in lavorazione.** La lama deve

sporgere al di sotto del pezzo in lavorazione per un tratto inferiore alla lunghezza di uno dei suoi denti.

4. **Non tenere mai il pezzo da tagliare tra le mani o sulle gambe. Fissare il pezzo in lavorazione a una superficie stabile.** È importante supportare correttamente il pezzo in lavorazione per ridurre al minimo l'eventualità di contatto con il corpo, di blocco della lama o di perdita di controllo dell'utensile.
5. **Se vengono eseguite operazioni in cui l'utensile di taglio può toccare fili nascosti, impugnare l'utensile solo dai punti di presa isolati.** Il contatto con un filo percorso da corrente farà sì che le parti metalliche esposte dell'utensile si trovino anch'esse sotto tensione provocando scosse elettriche all'operatore.
6. **Quando si eseguono tagli longitudinali, utilizzare sempre una guida di taglio.** In tal modo il taglio risulterà più accurato e il rischio di blocco della lama sarà ridotto.
7. **Utilizzare sempre lame con dimensioni e sagoma (romboidale o rotonda) dei fori dell'albero appropriate.** Le lame che non corrispondono alla sagoma o al supporto di montaggio dell'utensile determinano una rotazione eccentrica e possono provocare la perdita di controllo dell'utensile.
8. **Non utilizzare rondelle o bulloni danneggiati o inappropriati per la lama.** Le rondelle e i bulloni forniti sono progettati appositamente per l'utensile e garantiscono prestazioni migliori e maggiore sicurezza.

Cause dei contraccolpi e avvertenze correlate

- Un contraccolpo è una reazione improvvisa dovuta a frizioni, ostacoli o disallineamenti della lama di taglio,

che provoca il sollevamento improvviso dell'utensile, il quale, se non adeguatamente controllato, può allontanarsi dal pezzo in lavorazione e muoversi in direzione dell'operatore.

- Quando è ostacolata o bloccata dalla chiusura delle due estremità del taglio, la lama entra in fase di stallo e la reazione del motore fa sì che la sega si muova rapidamente all'indietro verso l'operatore.
- Se la lama si incurva o si disallinea rispetto al taglio, i denti del bordo posteriore della lama colpiscono la superficie superiore del pezzo in lavorazione provocando la fuoriuscita della lama dal taglio e il movimento improvviso dell'utensile verso l'operatore.

I contraccolpi sono determinati dall'uso improprio dell'utensile e/o da procedure o condizioni operative errate e possono essere evitati adottando le specifiche precauzioni illustrate di seguito.

9. **Mantenere una salda presa con entrambe le mani sull'utensile e posizionare le braccia in modo da poter contrastare efficacemente i contraccolpi. Posizionare il corpo a destra o a sinistra della lama, evitando di allinearla con la lama stessa.** I contraccolpi possono provocare uno spostamento improvviso dell'utensile all'indietro, ma possono essere controllati dall'operatore adottando precauzioni appropriate.
10. **Quando la lama è ostacolata o se si desidera interrompere il taglio per qualsiasi motivo, lasciare l'interruttore e attendere l'arresto completo della lama senza spostare l'utensile dal pezzo in lavorazione. Per evitare contraccolpi, non rimuovere l'utensile dal pezzo in lavorazione e non tirarlo all'indietro mentre la lama è in movimento.** Esaminare le condizioni operative e attuare gli interventi correttivi necessari per eliminare le cause del blocco della lama.
11. **Quando si riavvia l'utensile con la lama inserita nel pezzo in lavorazione, centrare accuratamente la lama nel taglio e controllare che i denti non siano inseriti nel materiale.** Se la lama è bloccata o ostacolata, il riavvio dell'utensile può provocare l'innalzamento improvviso dell'utensile o un contraccolpo.
12. **Per minimizzare il rischio di ostacolare la lama ed evitare contraccolpi, sostenere adeguatamente i pannelli di grandi dimensioni da tagliare.** I pannelli di grandi dimensioni tendono a flettersi sotto il loro stesso peso. Collocare i sostegni al di sotto del pannello su entrambi i lati, sia vicino alla linea di taglio che all'estremità del pannello.
13. **Non utilizzare lame non affilate o danneggiate.** Lame non affilate o in condizioni improprie producono tagli di spessore limitato e determinano il blocco della lama, una frizione eccessiva e pericolosi contraccolpi.
14. **Prima di eseguire il taglio, accertarsi di aver serrato accuratamente le leve di regolazione della profondità e dell'angolazione di taglio della lama.** Se le leve di regolazione si muovono durante il taglio, la lama potrebbe bloccarsi e potrebbero verificarsi contraccolpi.
15. **Prestare particolare attenzione nel caso sia necessario eseguire tagli "ad immersione" inserendo la lama in una parete esistente o in un'altra superficie chiusa.** Avanzando, la parte

sporgente della lama può colpire oggetti non visibili e determinare un contraccolpo. Nel caso di tagli ad immersione, far rientrare il coprilama con l'apposita maniglia.

Funzione del coprilama

16. **Prima di utilizzare la sega, assicurarsi che il coprilama sia posizionato correttamente. Non utilizzare l'utensile se il coprilama non è libero di muoversi e di chiudersi all'istante. Non bloccare mai il coprilama nella posizione aperta.** In caso di caduta accidentale dell'utensile, il coprilama potrebbe deformarsi. Sollevare il coprilama con l'apposita maniglia e accertarsi che sia libero di muoversi e che non tocchi la lama o altre parti dell'utensile, eseguendo prove con diverse angolazioni e profondità di taglio.
17. **Controllare il funzionamento e le condizioni della molla del coprilama. Se il coprilama e la molla non funzionano correttamente, prima di utilizzare la sega è necessario ripristinarne l'efficienza con gli opportuni interventi di manutenzione e/o riparazione.** Parti danneggiate e incrostazioni di resine, collanti o residui di lavorazione possono pregiudicare il corretto funzionamento del coprilama.
18. **Ritrarre manualmente il coprilama solo se si devono eseguire tagli speciali come tagli "a immersione" o tagli "combinati".** Sollevare il coprilama utilizzando l'apposita maniglia e rilasciarlo subito dopo che la lama è penetrata nel materiale. Per tutte le altre modalità di taglio, lasciare che il coprilama svolga automaticamente le sue funzioni.
19. **Prima di collocare l'utensile sul banco o sul pavimento, accertarsi sempre che il coprilama copra la lama.** Se la lama non è protetta ed è in rotazione, l'utensile si sposterà all'indietro tagliando tutto ciò che incontra sul suo percorso. Prestare attenzione al tempo necessario per il completo arresto della lama dopo aver rilasciato l'interruttore.
20. **Per controllare il funzionamento del coprilama, aprirlo con le mani e quindi rilasciarlo osservando attentamente la modalità di chiusura. Verificare inoltre che la maniglia per ritrarre il coprilama non tocchi l'involucro dell'utensile.** Lasciare la lama scoperta è MOLTO PERICOLOSO e può determinare il rischio di lesioni personali gravi.

Avvertenze di sicurezza supplementari

21. **Non arrestare la lama applicando una pressione laterale sulla lama stessa.**
22. **PERICOLO:**
Non rimuovere il materiale residuo della lavorazione se la lama è in movimento.
ATTENZIONE: Le lame continuano a ruotare per inerzia dopo lo spegnimento dell'utensile.
23. **Collocare la superficie più ampia della base dell'utensile sulla parte del pezzo in lavorazione che poggia sui sostegni, non sulla parte destinata a cadere una volta eseguito il taglio.**
24. **Non effettuare tagli capovolgendo l'utensile e bloccandolo in una morsa. Si tratta di una modalità operativa estremamente pericolosa che può provocare incidenti di grave entità.**

25. Indossare occhiali e protezioni acustiche durante l'uso.
26. Utilizzare esclusivamente le lame indicate nel presente manuale. Non utilizzare dischi abrasivi.

CONSERVARE QUESTE ISTRUZIONI.

⚠ AVVERTENZA:
NON lasciare che la familiarità acquisita con il prodotto (dovuta all'uso ripetuto) provochi l'inosseranza delle norme di sicurezza. L'USO IMPROPRIO o la mancata osservanza delle norme di sicurezza indicate in questo manuale di istruzioni possono provocare gravi danni alla persona.

ISTRUZIONI IMPORTANTI PER LA SICUREZZA

ENC007-8

RELATIVE ALLA BATTERIA

1. Prima di utilizzare la batteria, leggere tutte le istruzioni e gli avvisi di sicurezza relativi a (1) caricabatteria, (2) batteria e (3) prodotto utilizzato con la batteria.
2. Non smontare la batteria.
3. Se il tempo di funzionamento è diventato eccessivamente breve, non utilizzare l'utensile. Potrebbero verificarsi surriscaldamenti, ustioni o esplosioni.
4. In caso di contatto dell'elettrolita della batteria con gli occhi, sciacquare con acqua fresca e rivolgersi immediatamente a un medico. Potrebbero verificarsi danni permanenti alla funzionalità visiva.
5. Non cortocircuitare la batteria:
 - (1) Non toccare i terminali della batteria con materiale in grado di condurre elettricità.
 - (2) Evitare di conservare la batteria a contatto con oggetti metallici quali chiodi, monete e così via.
 - (3) Non esporre le batterie all'acqua o alla pioggia.Un cortocircuito può provocare un elevato flusso di corrente, surriscaldamento, ustioni o rotture.
6. Non conservare l'utensile e la batteria a una temperatura superiore a 50 °C.
7. Evitare di smaltire le batterie danneggiate o esaurite bruciandole. Se esposte al fuoco, le batterie possono esplodere.
8. Evitare di far cadere o di colpire la batteria.
9. Non utilizzare batterie danneggiate.
10. Attenersi alle normative della propria area geografica relative allo smaltimento delle batterie.

CONSERVARE QUESTE ISTRUZIONI.

Suggerimenti il prolungamento della durata della batteria

1. Caricare le batterie prima di scaricarle completamente.

Se si nota una diminuzione di potenza dell'utensile, interrompere il lavoro e ricaricare la batteria.

2. Non ricaricare una batteria già completamente carica.
In caso contrario, la durata operativa della batteria potrebbe ridursi.
3. Caricare la batteria in ambienti con temperatura compresa tra 10 °C e 40 °C. Prima di caricare una batteria surriscaldata, lasciarla raffreddare.
4. Caricare la batteria una volta ogni sei mesi se l'utensile rimane inutilizzato per lungo tempo.

DESCRIZIONE FUNZIONALE

ATTENZIONE:

- Prima di regolare o controllare le funzioni dell'utensile, verificare sempre di averlo spento e di aver rimosso la batteria.

Installazione o rimozione della batteria (Fig. 1)

⚠ ATTENZIONE:

- Prima di inserire o rimuovere la batteria, spegnere sempre l'utensile.
- Durante l'inserimento o la rimozione della batteria, tenere saldamente l'utensile e la batteria stessa. In caso contrario potrebbero scivolare dalle mani, con conseguenti danni all'utensile, alla batteria e alla persona.

Per rimuovere la batteria è sufficiente estrarla dall'utensile facendo scorrere il pulsante sulla parte anteriore della batteria.

Per inserire la batteria, allineare la linguetta della batteria con la scanalatura nell'alloggiamento e farla scorrere in posizione. Inserire a fondo la batteria fino a bloccarla in posizione con uno scatto. Se è visibile l'indicatore rosso sul lato superiore del pulsante, significa che la batteria non è completamente inserita.

⚠ ATTENZIONE:

- inserire a fondo la batteria fino alla scomparsa dell'indicatore rosso. In caso contrario, la batteria potrebbe fuoriuscire accidentalmente dall'utensile, provocando danni all'operatore o a eventuali osservatori.
- Non forzare l'inserimento della batteria. Se la batteria non scorre agevolmente, significa che la manovra di inserimento non è corretta.

Sistema di protezione della batteria (batteria agli ioni di litio con contrassegno a stella) (Fig. 2)

Le batterie agli ioni di litio con contrassegno a stella sono dotate di una sistema di protezione. Questo sistema interrompe automaticamente l'alimentazione dell'utensile per prolungare la durata della batteria. L'utensile viene spento automaticamente durante l'uso se l'utensile stesso e/o la batteria vengono utilizzati in una delle condizioni riportate di seguito:

- Sovraccarico:
La modalità d'uso dell'utensile provoca un assorbimento anomalo di corrente.
In questa situazione occorre rilasciare l'interruttore di

accensione dell'utensile e interrompere l'operazione che ne ha provocato il sovraccarico. Azionare di nuovo l'interruttore di accensione per riavviare l'utensile.

In caso di mancato avvio dell'utensile, si è verificato un surriscaldamento della batteria. In questa situazione occorre far raffreddare la batteria prima di azionare nuovamente l'interruttore di accensione.

- **Bassa tensione della batteria:**

La capacità residua della batteria è troppo bassa e non consente di utilizzare l'utensile. In questo caso occorre rimuovere e ricaricare la batteria.

Regolazione della profondità di taglio (Fig. 3)

ATTENZIONE:

- Dopo aver regolato la profondità di taglio, serrare accuratamente la leva.

Allentare la leva presente sul lato della maniglia posteriore e spostare la base verso l'alto o verso il basso.

Dopo aver raggiunto la profondità di taglio desiderata, fissare la base serrando la leva.

Per garantire la massima sicurezza e accuratezza, impostare la profondità di taglio in modo che dal pezzo in lavorazione fuoriesca solo un dente della lama. Una regolazione corretta della profondità di taglio consente di ridurre l'eventualità di pericolosi CONTRACCOLPI che possono provocare lesioni personali.

Allineamento (Fig. 4)

Durante il taglio, allineare la posizione A sulla parte frontale della base con la linea di taglio sul pezzo in lavorazione.

Azionamento dell'interruttore (Fig. 5)

ATTENZIONE:

- Prima di inserire la batteria nell'utensile, controllare se l'interruttore funziona correttamente e ritorna alla posizione "SPENTO" una volta rilasciato.
- Non tirare con forza l'interruttore senza aver prima premuto la sicura di accensione. In caso contrario, l'interruttore potrebbe rompersi.

La sicura consente di evitare di azionare involontariamente l'interruttore di accensione. Per accendere l'utensile, premere la sicura e tirare l'interruttore di accensione.

Per spegnere l'utensile, rilasciare l'interruttore.

AVVERTENZA:

- Per la sicurezza personale, questo utensile è dotato di una sicura di accensione che impedisce azionamenti accidentali. NON utilizzare l'utensile se è possibile azionarlo premendo semplicemente l'interruttore di accensione senza premere contemporaneamente la sicura. PRIMA di utilizzare nuovamente l'utensile, rivolgersi a un centro di assistenza MAKITA per le necessarie riparazioni.
- NON tentare di manomettere o impedire il corretto funzionamento della sicura di accensione.

Accensione della lampada (Fig. 6)

ATTENZIONE:

- Non osservare direttamente la luce o la fonte luminosa.

Per accendere solo la lampada, tirare l'interruttore di accensione senza premere la sicura di accensione. Per accendere la lampada e utilizzare l'utensile, premere la sicura e azionare l'interruttore tenendo premuta la sicura di accensione.

NOTA:

- Utilizzare un bastoncino rivestito di cotone per pulire la lente della lampada. Fare attenzione a non graffiare la lente della lampada per evitare riduzioni dell'intensità luminosa.
- Per pulire la lente della lampada non utilizzare diluenti, benzina o prodotti chimici analoghi. Queste sostanze possono danneggiare la lente.

MONTAGGIO

ATTENZIONE:

- Prima di eseguire qualsiasi operazione sull'utensile, verificare sempre di averlo spento e di aver rimosso la batteria.

Rimozione o installazione della lama (Fig. 7)

ATTENZIONE:

- Assicurarsi che la lama sia installata in modo che i denti siano rivolti verso la parte frontale dell'utensile.
- Per installare o rimuovere la lama utilizzare solo la chiave fornita da Makita.

Per rimuovere la lama, premere il blocco dell'albero in modo che la lama non possa ruotare e utilizzare la chiave per allentare il bullone esagonale in senso antiorario. Rimuovere il bullone esagonale, la flangia esterna e la lama.

Per installare la lama, attenersi alla procedura di installazione procedendo in senso inverso. **ACCERTARSI DI AVER FISSATO SALDAMENTE IL BULLONE ESAGONALE RUOTANDOLO IN SENSO ORARIO.**

(Fig. 8)

Quando si sostituisce la lama, rimuovere gli accumuli di trucioli dai coprilama superiore e inferiore. Queste operazioni di pulizia non sostituiscono la procedura di controllo del funzionamento del coprilama inferiore, che deve comunque essere eseguita prima di ogni utilizzo.

Alloggiamento della chiave esagonale (Fig. 9)

Per evitare di perdere la chiave esagonale quando non la si utilizza, collocarla nella posizione illustrata nella figura.

FUNZIONAMENTO

ATTENZIONE:

- Inserire la batteria completamente, fino a quando si blocca in posizione con uno scatto. Se l'area rossa del lato superiore del pulsante è ancora visibile, la batteria non è completamente inserita. Inserire la batteria fino a quando l'area rossa non è più visibile. In caso contrario la batteria può fuoriuscire accidentalmente e provocare lesioni all'operatore o a eventuali osservatori.
- Accertarsi di spostare in avanti l'utensile procedendo in linea retta con regolarità e senza esercitare una pressione eccessiva. Se si forza o si sposta dalla linea di taglio l'utensile, il motore può surriscaldarsi e si

MANUTENZIONE

possono verificare pericolosi contraccolpi che possono determinare lesioni personali gravi.

- Se si utilizza continuamente l'utensile fino al completo scaricamento della batteria, attendere 15 minuti prima di continuare a utilizzarlo con una nuova batteria.
- Non torcere né forzare l'utensile nel taglio. Si potrebbe provocare un sovraccarico del motore e/o un pericoloso contraccolpo, che comporta gravi lesioni per l'operatore.
- Indossare sempre gli occhiali di protezione prima dell'uso. (Fig. 10)

Tenere l'utensile in modo saldo. L'utensile viene fornito con un'impugnatura frontale e una maniglia posteriore. Utilizzarle entrambe per garantire la presa più sicura. Se entrambe le mani vengono utilizzate per tenere l'utensile, non potranno essere colpite dalla lama. Collocare la base sul pezzo in lavorazione senza che la lama entri in contatto con il materiale da tagliare. Accendere l'utensile e attendere che la lama raggiunga la massima velocità. Far avanzare l'utensile sulla superficie del pezzo in lavorazione, procedendo in piano e con regolarità fino al completamento del taglio.

Per ottenere tagli netti e accurati, avanzare in linea retta e con velocità costante. Se durante il taglio si devia dalla linea prevista, evitare di ruotare o forzare l'utensile in modo da ritornare sulla linea di taglio, perché la lama potrebbe bloccarsi e provocare pericolosi contraccolpi e lesioni personali. Rilasciare l'interruttore, attendere che la lama si arresti e quindi rimuovere l'utensile. Riallineare l'utensile con la nuova linea di taglio e riprendere la lavorazione. Evitare le posizioni che espongono l'operatore ai trucioli espulsi dall'utensile. Per una maggiore sicurezza, indossare una protezione per gli occhi.

Le scanalature spia nella base facilitano il controllo della distanza tra la parte anteriore della lama e il pezzo in lavorazione quando è impostata la massima profondità di taglio. (Fig. 11)

ATTENZIONE:

- Non utilizzare una lama deformata o incrinata. Sostituirla con una nuova.
- Non impilare i materiali da tagliare.
- Non utilizzare l'utensile per il taglio di acciaio temprato, acciaio inossidabile, legno, plastica, cemento, laterizi e così via. **Utilizzare solamente per il taglio di acciaio dolce e alluminio.**
- Non toccare la lama, il pezzo in lavorazione o i trucioli a mani nude subito dopo il taglio, in quanto la temperatura elevata potrebbe provocare ustioni.
- **Utilizzare sempre le lame appropriate per il lavoro da eseguire.** L'uso di lame inadeguate può portare a un taglio scadente e/o provocare il rischio di lesioni personali.

Guida di taglio (regolo guida) (accessori) (Fig. 12)

La pratica guida di taglio consente di realizzare tagli dritti accuratissimi. Far scorrere la guida di taglio mantenendola aderente a un lato del pezzo in lavorazione e fissarla in posizione con la vite sulla parte frontale della base. La guida consente inoltre di realizzare tagli ripetuti mantenendo uniforme la larghezza del taglio.

ATTENZIONE:

- Prima di effettuare controlli oppure operazioni di manutenzione, verificare sempre di aver spento l'utensile e di aver rimosso la batteria.
- Evitare assolutamente di usare benzina, diluenti, solventi, alcol o sostanze simili. In caso contrario, potrebbero verificarsi scoloriture, deformazioni o incrinature.

Ispezione della lama

- Prima e dopo ogni uso, verificare lo stato della lama, accertandosi che non vi siano crepe o danni. Sostituire immediatamente la lama che presenta crepe o danni.
- L'uso di una lama danneggiata può provocare un pericoloso contraccolpo e/o un sovraccarico del motore. Sostituire con una nuova lama quando il taglio non si rivela più efficace.
- **Le lame per la sega circolare per metallo non possono essere affilate.**

Sostituzione delle spazzole di carbone (Fig. 13)

Rimuovere e controllare periodicamente le spazzole di carbone.

Sostituire le spazzole quando sono consumate fino all'indicatore di limite. Mantenere le spazzole di carbone pulite e libere di scorrere nei supporti.

Entrambe le spazzole di carbone devono essere sostituite contemporaneamente. Utilizzare solo spazzole di carbone dello stesso tipo.

Rimuovere i coperchi dei portaspazzola con un cacciavite.

Estrarre le spazzole di carbone consumate, inserire le nuove spazzole e fissare i coperchi dei portaspazzola.

(Fig. 14)

Per garantire la SICUREZZA e l'AFFIDABILITÀ del prodotto, le riparazioni e qualsiasi altra operazione di manutenzione o regolazione devono essere eseguite dai centri di assistenza autorizzati Makita utilizzando sempre parti di ricambio Makita.

ACCESSORI OPZIONALI

⚠ ATTENZIONE:

- Si consiglia l'uso dei seguenti accessori per l'utensile Makita descritto in questo manuale. L'uso di qualsiasi altro accessorio potrebbe provocare lesioni personali. Utilizzare gli accessori esclusivamente per l'uso dichiarato.

Per l'assistenza e per ulteriori informazioni su tali accessori, rivolgersi al centro assistenza Makita di zona.

- Lame con estremità al carburo di tungsteno
- Guida di taglio (regolo guida)
- Vite M5 x 20
- Molla di compressione 6
- Chiave esagonale da 5
- Occhiali di sicurezza
- Batteria e caricabatteria originali Makita

NOTA:

- Alcuni degli accessori elencati potrebbero essere inclusi nella confezione dell'utensile come accessori

standard. Gli accessori standard possono differire da paese a paese.

La documentazione tecnica viene conservata da:
Makita International Europe Ltd.
Technical Department,
Michigan Drive, Tongwell,
Milton Keynes, Bucks MK15 8JD, Inghilterra

Rumore ENG905-1

Il tipico livello di rumore ponderato "A" è determinato in conformità con la norma EN60745:

 Livello di pressione sonora (L_{pA}): 78 dB (A)

 Variazione (K): 3 dB (A)

Il livello acustico in funzionamento può superare 80 dB (A).

Indossare una protezione acustica.

30. 1. 2009



Tomoyasu Kato

Direttore

Makita Corporation

3-11-8, Sumiyoshi-cho,
Anjo, Aichi, 446-8502, JAPAN

Vibrazione ENG900-1

Il valore totale della vibrazione (somma vettoriale triassiale) viene determinato in conformità con la norma EN60745:

 Modalità di lavoro: taglio di metalli

 Emissione di vibrazioni ($a_{h,M}$): 2,5 m/s²

 Variazione (K): 1,5 m/s²

ENG901-1

- Il valore di emissione delle vibrazioni dichiarato è stato misurato in conformità con il metodo di test standard e può essere utilizzato per confrontare tra loro diversi utensili.
- Il valore dell'emissione delle vibrazioni dichiarato può anche essere usato per stime preliminari dell'esposizione.

⚠ AVVERTENZA:

- L'emissione delle vibrazioni durante l'uso effettivo dell'utensile elettrico può risultare diversa rispetto al valore dichiarato, in base alla modalità d'uso dell'utensile.
- Assicurarsi di individuare le necessarie misure di sicurezza per proteggere l'operatore in base a una stima dell'esposizione nelle condizioni reali di utilizzo (prendendo in considerazione tutte le fasi del ciclo operativo, come quante volte l'utensile viene spento e i periodi in cui rimane inattivo, oltre al tempo di avviamento).

Solo per i paesi europei ENH101-16

Dichiarazione di conformità CE

Makita Corporation, in qualità di produttore responsabile, dichiara che le macchine Makita indicate di seguito:

Denominazione dell'utensile:

Sega circolare a batteria per metallo

N. modello /Tipo: DCS550

appartengono a una produzione in serie e

sono conformi alle seguenti direttive europee:

2006/42/EC

Sono inoltre prodotti in conformità con gli standard o i documenti standardizzati riportati di seguito:

EN60745

NEDERLANDS (Originele instructies)

Verklaring van algemene gegevens

- | | | |
|-----------------------|-----------------------|-------------------------------|
| 1. Rode deel | 10. Uit-vergrendeling | 19. Voor handgreep |
| 2. Knop | 11. Lamp | 20. Achterhandgreep |
| 3. Accu | 12. Asvergrendeling | 21. Markeringspunten |
| 4. Ster-merkteken | 13. Inbussleutel | 22. Klembout |
| 5. Hendel | 14. Zeskantbout | 23. Breedtegeleider (liniaal) |
| 6. Punt A | 15. Buitenflens | 24. Slijtgrensmarkering |
| 7. Zaaglijn | 16. Zaagblad | 25. Koolborsteldop |
| 8. Zool | 17. Binnenflens | 26. Schroevendraaier |
| 9. Aan/uit-schakelaar | 18. komschijf | |

TECHNISCHE GEGEVENS

Model	DCS550
Diameter zaagblad	136 mm
Max. zaagdiepte	51 mm
Nullasttoerental (min ⁻¹)	3.600
Totale lengte	348 mm
Netto gewicht	2,6 kg
Nominale spanning	18 V gelijkspanning

- Als gevolg van ons doorlopende onderzoeks- en ontwikkelingsprogramma, zijn de technische gegevens van dit gereedschap onderhevig aan veranderingen zonder voorafgaande kennisgeving.
- Specificaties en accu's kunnen van land tot land verschillen.
- Gewicht, inclusief de accu, volgens de EPTA-procedure 01/2003


Gebruiksdoelinden

ENE066-1

Het gereedschap is alleen bedoeld om in zacht staal en aluminium te boren met geschikte zaagbladen.

Algemene veiligheidswaarschuwingen voor elektrisch gereedschap

GEA010-1


 **WAARSCHUWING** Lees alle veiligheidswaarschuwingen en alle instructies. Het niet volgen van de waarschuwingen en instructies kan leiden tot elektrische schokken, brand en/of ernstig letsel.

Bewaar alle waarschuwingen en instructies om in de toekomst te kunnen raadplegen.

VEILIGHEIDSWAARSCHUWINGEN SPECIFIEK VOOR EEN ACCUMETAALCIRKELZAAG

GEB058-3

Zaagmethoden

1.  **GEVAAR:** Houd uw handen uit de buurt van het zaaggebied en het zaagblad. Houd met uw andere hand de voorhandgreep of de behuizing van het gereedschap vast. Als u het gereedschap met beide handen vasthoudt, kunt u nooit in uw handen zagen.

2. **Reik nooit met uw handen onder het werkstuk.** De beschermkap kan u niet beschermen onder het werkstuk tegen het zaagblad.
3. **Stel de zaagdiepte in overeenkomstig de dikte van het werkstuk.** Minder dan een volledige tandhoogte dient onder het werkstuk uit te komen.
4. **Houd het werkstuk waarin wordt gezaagd nooit vast met uw handen of benen. Zorg dat het werkstuk stabiel is ten opzichte van de ondergrond.** Het is belangrijk het werkstuk goed te ondersteunen om de kans te minimaliseren dat uw lichaam eraan blootgesteld wordt, het zaagblad vastloopt of u de controle over het gereedschap verliest.
5. **Houd het elektrisch gereedschap alleen vast aan het geïsoleerde oppervlak van de handgrepen wanneer u werkt op plaatsen waar het zaagapparatuur met verborgen bedrading in aanraking kan komen.** Door aanraking van onder spanning staande draden, zullen de niet-geïsoleerde metalen delen van het gereedschap onder spanning komen te staan zodat de gebruiker een elektrische schok kan krijgen.
6. **Gebruik bij het schulpen altijd de breedtegeleider of de langsgeleider.** Hierdoor wordt de nauwkeurigheid van het zagen vergroot en de kans op vastlopen van het zaagblad verkleint.
7. **Gebruik altijd zaagbladen met doorngaten van de juiste afmetingen en vorm (diamant versus rond).** Zaagbladen die niet goed passen op de bevestigingsmiddelen van het gereedschap, zullen excentrisch draaien waardoor u de controle over het gereedschap verliest.

8. **Gebruik nooit een beschadigde of verkeerde bouten en ringen om het zaagblad mee te bevestigen.** De bouten en ringen voor de bevestiging van het zaagblad zijn speciaal ontworpen voor gebruik met uw gereedschap voor optimale prestaties en veilig gebruik.

Oorzaken van terugslag en aanverwante waarschuwingen

- Terugslag is een plotselinge reactie op een bekneld, vastgelopen of niet-uitgelijnd zaagblad, waardoor het oncontroleerbare gereedschap omhoog, uit het werkstuk en in de richting van de gebruiker gaat.
- Wanneer het zaagblad bekneld raakt of vastloopt doordat de zaagsnede naar beneden toe smaller wordt, vertraagt het zaagblad en komt als reactie de motor snel omhoog in de richting van de gebruiker.
- Als het zaagblad gebogen of niet-uitgelijnd raakt in de zaagsnede, kunnen de tanden aan de achterrand van het zaagblad zich in het bovenoppervlak van het werkstuk vreten, waardoor het zaagblad uit de zaagsnede klimt en omhoog springt in de richting van de gebruiker.

Terugslag is het gevolg van misbruik van het gereedschap en/of onjuiste gebruikprocedures of -omstandigheden, en kan worden voorkomen door goede voorzorgsmaatregelen te treffen, zoals hieronder vermeld:

9. **Houd het gereedschap stevig vast met beide handen en houdt uw armen zodanig dat een terugslag wordt opgevangen. Plaats uw lichaam zijwaarts versprongen van het zaagblad en niet in een rechte lijn erachter.** Door terugslag kan het gereedschap achterwaarts springen, maar de kracht van de terugslag kan met de juiste voorzorgsmaatregelen door de gebruiker worden opgevangen.
10. **Wanneer het zaagblad vastloopt, of wanneer u om een of andere reden het zagen onderbreekt, laat u de aan/uit-schakelaar los en houdt u het gereedschap stil in het materiaal totdat het zaagblad volledig tot stilstand is gekomen. Probeer nooit het gereedschap uit het werkstuk te halen of het gereedschap naar achteren te trekken, terwijl het zaagblad nog draait omdat hierdoor een terugslag kan optreden.** Onderzoek waarom het zaagblad is vastgelopen en tref afdoende maatregelen om de oorzaak ervan op te heffen.
11. **Wanneer u het gereedschap weer inschakelt terwijl het zaagblad in het werkstuk zit, plaatst u het zaagblad in het midden van de zaagsnede en controleert u dat de zaagtanden niet in het materiaal grijpen.** Als het zaagblad is vastgelopen, kan wanneer het gereedschap wordt ingeschakeld het zaagblad uit het werkstuk lopen of terugslaan.
12. **Ondersteun grote platen om de kans te minimaliseren dat het zaagblad bekneld raakt of terugslaat.** Grote platen neigen door te zakken onder hun eigen gewicht. U moet de plaat ondersteunen aan beide zijranden, vlakbij de zaaglijn en vlakbij het uiteinde.
13. **Gebruik een bot of beschadigd zaagblad niet meer.** Niet-geslepen of verkeerd gezette tanden maken een smalle zaagsnede wat leidt tot grote wrijving, vastlopen en terugslag.
14. **De vergrendelhendels voor het instellen van de zaagbladdiepte en verstekhoek moeten vastzitten alvorens te beginnen met zagen.** Als de instellingen van het zaagblad zich tijdens het zagen wijzigen, kan dit leiden tot vastlopen of terugslag.
15. **Wees extra voorzichtig bij blind zagen in bestaande wanden of op andere plaatsen.** Wanneer het zaagblad door het materiaal heen breekt, kan het een voorwerp raken waardoor een terugslag optreedt. Bij het maken van een 'blinde' zaagsnede opent u de onderste beschermkap met behulp van de terugtrekhandel.

Onderste beschermkap

16. **Controleer voor ieder gebruik of de onderste beschermkap goed sluit. Gebruik het gereedschap niet als de onderste beschermkap niet vrij kan bewegen en onmiddellijk sluit. Zet de onderste beschermkap nooit vast in de geopende stand.** Als u het gereedschap per ongeluk laat vallen, kan de onderste beschermkap worden verbogen. Til de onderste beschermkap op aan de terugtrekhandel en controleer dat deze vrij kan bewegen en niet het zaagblad of enig ander onderdeel raakt, onder alle verstekhoeken en op alle zaagdiepten.
17. **Controleer de werking en toestand van de veer van de onderste beschermkap. Als de beschermkap en de veer niet goed werken, dienen deze te worden gerepareerd voordat de cirkelzaag wordt gebruikt.** De onderste beschermkap kan traag werken als gevolg van beschadigde onderdelen, gom- of harsafzetting, of opeenhoping van vuil.
18. **De onderste beschermkap mag alleen met de hand worden geopend voor het maken van speciale zaagsneden, zoals een "blinde" zaagsnede en "samen gestelde" zaagsnede. Til de onderste beschermkap op aan de terugtrekhandel en laat deze los zodra het zaagblad in het materiaal zaagt.** Bij alle andere typen zaagsneden, dient de onderste beschermkap automatisch te werken.
19. **Let er altijd op dat de onderste beschermkap het zaagblad bedekt voordat u het gereedschap op een werkbank of vloer neerlegt.** Een onbeschermde zaagblad dat nog nadraait, zal het gereedschap achteruit doen lopen waarbij alles op zijn weg wordt gezaagd. Denk eraan dat nadat de cirkelzaag is uitgeschakeld het nog enige tijd duurt voordat het zaagblad stilstaat.
20. **U kunt de onderste beschermkap controleren, door deze met de hand te openen, los te laten en te kijken hoe hij sluit. Controleer tevens of de terugtrekhandel de behuizing van het gereedschap niet raakt.** Het zaagblad onbeschermde laten is UITERST GEVAARLIJK en kan leiden tot ernstig persoonlijk letsel.

Aanvullende veiligheids waarschuwingen

21. **Breng het zaagblad niet tot stilstand door zijdelings op het zaagblad te drukken.**
22. **GEVAAR:**
Probeer niet afgezaagd materiaal te verwijderen terwijl het zaagblad nog draait.
LET OP: Het zaagblad draait nog na nadat het gereedschap is uitgeschakeld.

23. Plaats het bredere deel van de zool van het gereedschap op het deel van het werkstuk dat goed is ondersteund, en niet op het deel dat omlaag valt nadat de zaagsnede gemaakt is.
24. Probeer nooit een zaagsnede te maken met het gereedschap ondersteboven in een bankschroef geklemd. Dit is uiterst gevaarlijk en kan leiden tot ernstig persoonlijk letsel.
25. Draag een veiligheidsbril en gehoorbescherming tijdens gebruik.
26. Gebruik altijd zaagbladen die in deze gebruiksaanwijzing aanbevolen worden. Gebruik geen slijpschijven.

BEWAAR DEZE INSTRUCTIES.

WAARSCHUWING:

Laat u NIET misleiden door een vals gevoel van comfort en bekendheid met het gereedschap (na veelvuldig gebruik) en neem alle veiligheidsvoorschriften van het betreffende product altijd strikt in acht. VERKEERD GEBRUIK of het niet volgen van de veiligheidsinstructies in deze gebruiksaanwijzing kan leiden tot ernstig persoonlijk letsel.

BELANGRIJKE VEILIGHEIDSinSTRUCTIES ENC007-8

VOOR ACCU'S

1. Alvorens de accu in gebruik te nemen, leest u eerst alle instructies en waarschuwingsofschriften op (1) de acculader, (2) de accu en (3) het apparaat waarin de accu wordt aangebracht.
2. Haal de accu niet uit elkaar.
3. Als de gebruikstijd aanzienlijk korter is geworden, stopt u onmiddellijk met het gebruik. Anders kan dit leiden tot kans op oververhitting, mogelijke brandwonden en zelfs een explosie.
4. Als de elektrolyt in uw ogen komt, wast u deze uit met schoon water en raadpleegt u onmiddellijk een arts. Dit kan leiden tot verlies van gezichtsvermogen.
5. Sluit de accu niet kort:
 - (1) Raak de accupolen niet aan met enig geleidend materiaal.
 - (2) Bewaar de accu niet op een plaats waar deze in aanraking kan komen met andere metalen voorwerpen, zoals spijkers, munten, enz.
 - (3) Stel de accu niet bloot aan water of regen. Kortsluiting van de accu kan leiden tot een hoge stroomsterkte, oververhitting, mogelijke brandwonden en zelfs een defect.
6. Bewaar het gereedschap en de accu niet op plaatsen waar de temperatuur kan oplopen tot 50 °C of hoger.
7. Werp de accu niet in een vuur, zelfs niet als deze al ernstig beschadigd of helemaal versleten is. De accu kan in een vuur exploderen.
8. Wees voorzichtig dat u de accu niet laat vallen of ergens tegenaan stoot.
9. Gebruik nooit een beschadigde accu.

10. Neem de plaatselijke regelgeving met betrekking tot het weggooiën van de accu in acht.

BEWAAR DEZE INSTRUCTIES.

Tips voor een lange levensduur van de accu

1. Laad de accu op voordat deze volledig leeg is. Wanneer u merkt dat het gereedschap minder vermogen heeft, stopt u met het gebruik ervan en laadt u eerst de accu op.
2. Laad nooit een volledig opgeladen accu op. Te lang opladen verkort de levensduur van de accu.
3. Laad de accu op bij een omgevingstemperatuur van 10 °C tot 40 °C. Laat een warme accu eerst afkoelen voordat u deze oplaadt.
4. Laad de accu ieder half jaar op als u deze gedurende een lange tijd niet gebruikt.

BESCHRIJVING VAN DE FUNCTIES

LET OP:

- Controleer altijd of het gereedschap is uitgeschakeld en de accu is verwijderd alvorens de functies van het gereedschap te controleren of af te stellen.

De accu aanbrengen en verwijderen (zie afb. 1)

LET OP:

- Schakel het gereedschap altijd uit voordat u de accu aanbrengt of verwijdert.
- **Houd het gereedschap en de accu stevig vast tijdens het aanbrengen of verwijderen van de accu.** Als u het gereedschap en de accu niet stevig vasthoudt, kunnen deze uit uw handen glippen en beschadigd raken, of kan persoonlijk letsel worden veroorzaakt.

Om de accu te verwijderen verschuift u de knop aan de voorkant van de accu en schuift u tegelijkertijd de accu eraf.

Om de accu aan te brengen, lijnt u de lip op de accu uit met de groef in de behuizing en duwt u de accu op zijn plaats. Steek de accu zo ver mogelijk erin tot u een klinkgeluid hoort. Als u het rode deel aan de bovenkant van de knop kunt zien, is de accu niet goed aangebracht.

LET OP:

- Breng de accu altijd helemaal aan totdat het rode deel niet meer zichtbaar is. Als u dit niet doet, kan de accu per ongeluk uit het gereedschap vallen en u of anderen in uw omgeving verwonden.
- Breng de accu niet met kracht aan. Als de accu niet gemakkelijk erin kan worden geschoven, wordt deze niet goed aangebracht.

Accubeveiligingssysteem (lithiumionaccu met een ster-merkteken) (zie afb. 2)

Lithiumionaccu's met een ster-merkteken zijn uitgerust met een beveiligingssysteem. Dit systeem schakelt automatisch de voeding naar het gereedschap uit om de levensduur van de accu te verlengen.

Het gereedschap zal tijdens gebruik automatisch stoppen wanneer het gereedschap en/of de accu zich in een van de volgende omstandigheden bevinden:

- Overbelasting:
Het gereedschap wordt gebruikt op een manier die ertoe leidt dat een abnormaal hoge stroomsterkte uit de accu wordt getrokken.
Laat in die situatie de aan/uit-schakelaar van het gereedschap los en stop het gebruik dat ertoe leidde dat het gereedschap overbelast werd. Knijp daarna opnieuw de aan/uit-schakelaar in om het gereedschap weer in te schakelen.
Als het gereedschap niet wordt ingeschakeld, is de accu oververhit. In die situatie laat u de accu eerst afkoelen voordat u opnieuw de aan/uit-schakelaar inknijpt.
- Lage accuspanning:
De resterende acculading is te laag en het gereedschap wordt niet ingeschakeld. Verwijder in die situatie de accu en laad hem op.

Freesdiepte instellen (zie afb. 3)

LET OP:

- Nadat u de zaagdiepte hebt ingesteld, zet u de hendel altijd stevig vast.

Zet de hendel los aan de zijkant van de achterhandgreep en beweeg de zool omhoog en omlaag. Zet de zool vast op de gewenste zaagdiepte door de hendel vast te zetten. Voor een schonere, veiligere zaagsnede, stelt u de zaagdiepte zodanig in dat niet meer dan een tandhoogte door het werkstuk heen steekt. Door de zaagdiepte goed in te stellen, verkleint u de kans op een potentieel gevaarlijke TERUGSLAG, en daarmee op persoonlijk letsel.

Zichtlijn (zie afb. 4)

Lijn bij het zagen punt A op de voorkant van de zool uit met uw zaaglijn op het werkstuk.

In- en uitschakelen (zie afb. 5)

LET OP:

- Controleer altijd, voordat u de accu in het gereedschap steekt, of de aan/uit-schakelaar op de juiste manier schakelt en weer terugkeert naar de uit-stand nadat deze is losgelaten.
- Knijp de aan/uit-schakelaar niet hard in zonder de uit-vergrendeling in te duwen. Hierdoor kan de aan/uit-schakelaar kapot gaan.

Om te voorkomen dat de aan/uit-schakelaar per ongeluk wordt bediend, is een uit-vergrendeling aangebracht. Om het gereedschap te starten, duwt u de uit-vergrendeling in en knijpt u de aan/uit-schakelaar in.

Laat de aan/uit-schakelaar los om het gereedschap te stoppen

WAARSCHUWING:

- Omwille van uw veiligheid is dit gereedschap uitgerust met een uit-vergrendeling die voorkomt dat het gereedschap onbedoeld wordt ingeschakeld. Gebruik het gereedschap NOOIT wanneer dit draait door gewoon de aan/uit-schakelaar in te knijpen zonder de uit-vergrendeling in te duwen. Stuur het gereedschap voor deugdelijke reparatie terug naar een MAKITA-servicecentrum ALVORENS het verder te gebruiken.

- U mag NOOIT de uit-vergrendeling met plakband vastzetten of anderszins de werking en functie ervan te niet doen.

De lamp inschakelen (zie afb. 6)

LET OP:

- Kijk niet rechtstreeks in het licht of naar de bron van de lamp.

U kunt de lamp inschakelen door gewoon de aan/uit-schakelaar in te knijpen zonder de uit-vergrendeling te bedienen. Om de lamp en het gereedschap in te schakelen, bedient u de uit-vergrendeling en knijpt u tegelijkertijd de aan/uit-schakelaar in.

OPMERKING:

- Gebruik een wattenstaafje om het vuil van de lens van de lamp te vegen. Wees voorzichtig de lens van de lamp niet te bekrassen om de lichtopbrengst niet te verlagen.
- Gebruik geen benzine, thinner of soortgelijk middel om de lens van de lamp te reinigen. Dergelijke middelen zullen de lens beschadigen.

ONDERDELEN AANBRENGEN/ VERWIJDEREN

LET OP:

- Controleer altijd of het gereedschap is uitgeschakeld en de accu is verwijderd alvorens enige werkzaamheden aan het gereedschap te verrichten.

Het zaagblad aanbrengen en verwijderen (zie afb. 7)

LET OP:

- Verzeker u ervan dat het zaagblad zodanig wordt aangebracht dat de tanden aan de voorkant van het gereedschap omhoog wijzen.
- Gebruik uitsluitend de Makita-inbussleutel voor het aanbrengen en verwijderen van het zaagblad.

Als u het zaagblad wilt verwijderen, drukt u eerst de asvergrendeling in zodat het zaagblad niet meer kan draaien, en gebruikt u vervolgens de inbussleutel om de inbusbout linksom los te draaien. Verwijder tenslotte de zeskantbout, de buitenflens en het zaagblad.

Om het zaagblad aan te brengen, volgt u de procedure in omgekeerde volgorde. **ZORG ERVOOR DAT U DE INBUSBOUT RECHTSOM STEVIG VASTDRAAIT.** (zie afb. 8)

Vergeet niet tijdens het verwisselen van het zaagblad ook de bovenste en onderste beschermkappen te ontdoen van opgehoopte houtsnippers en spaanders. Ondanks dergelijk onderhoud blijft het noodzakelijk de werking van de onderste beschermkap voor ieder gebruik te controleren.

Opbergplaats van de inbussleutel (zie afb. 9)

Wanneer u de inbussleutel niet gebruikt, bergt u deze op de plaats aangegeven in de afbeelding op, om te voorkomen dat deze wordt verloren.

BEDIENING

LET OP:

- Steek de accu altijd zo ver mogelijk in het gereedschap totdat deze met een klik wordt vergrendeld. Als u het rode deel aan de bovenkant van de knop kunt zien, is de accu niet goed aangebracht. Steek de accu zo ver mogelijk erin tot het rode deel niet meer zichtbaar is. Als u dit niet doet, kan de accu per ongeluk uit het gereedschap vallen en u of anderen in uw omgeving verwonden.
- Duw het gereedschap voorzichtig in een rechte lijn naar voren. Als u het gereedschap dwing of verdraait, zal de motor oververhit raken en het gereedschap gevaarlijk terugslaan waardoor ernstig letsel kan worden veroorzaakt.
- Als het gereedschap continu wordt bediend totdat de accu leeg is, laat u het gereedschap gedurende 15 minuten liggen alvorens verder te werken met een volle accu.
- Nooit het gereedschap in de zaagsnede wringen of forceren. Hierdoor kan de motor overbelast raken en/of gevaarlijke terugslag ontstaan, wat kan leiden tot ernstig letsel voor de gebruiker.
- Draag altijd oogbescherming of een veiligheidsbril tijdens gebruik. **(zie afb. 10)**

Houd het gereedschap stevig vast. Het gereedschap is voorzien van zowel een voorhandgreep als een achterhandgreep. Gebruik beide om het gereedschap zo goed mogelijk vast te houden. Als u het gereedschap met beide handen vasthoudt, kunt u nooit in uw handen zagen. Plaats eerst de zool op het werkstuk dat u wilt zagen, zonder dat het zaagblad het werkstuk raakt. Schakel vervolgens het gereedschap in en wacht totdat het zaagblad op volle snelheid draait. Duw het gereedschap nu gewoon naar voren over het oppervlak van het werkstuk, houd het daarbij vlak, en duw gelijkmatig totdat het slijpen klaar is.

Zorg voor een schone zaagsnede door een rechte zaaglijn en een constante voortgaande snelheid. Als de zaagsnede niet verloopt volgens de voorgenomen zaaglijn, mag u niet proberen het gereedschap iets te draaien of te dwingen terug te keren naar de zaaglijn. Als u dit doet, kan het zaagblad vastlopen en een gevaarlijke terugslag optreden met mogelijk ernstig persoonlijk letsel tot gevolg. Laat de aan/uit-schakelaar los, wacht tot het zaagblad tot stilstand is gekomen en trek vervolgens het gereedschap terug. Lijn het gereedschap opnieuw uit met een nieuwe zaaglijn en begin weer te zagen. Probeer te vermijden dat door de positie van het gereedschap de gebruiker wordt blootgesteld aan houtsnippers en spaanders die door het gereedschap worden uitgeworpen. Gebruik oogbescherming om verwonding te voorkomen.

Met de markeringspunten op de zool is het eenvoudig de afstand tussen de voorrand van het zaagblad en het werkstuk te controleren wanneer het zaagblad is ingesteld op de maximale zaagdiepte **(zie afb. 11)**.

LET OP:

- Gebruik nooit een vervormd of gebarsten zaagblad. Vervang het door een nieuwe.
- Zaag nooit door een stapel losse materialen.
- Zaag geen gehard staal, roestvrijstaal, hout, kunststof, beton, tegels, enz. **Zaag alleen zacht staal en aluminium.**

- Raak het zaagblad, het werkstuk en de houtsnippers niet onmiddellijk na het zagen aan. Zij kunnen bijzonder heet zijn en brandwonden op uw huid veroorzaken.
- **Gebruik altijd een zaagblad dat geschikt is voor uw werkzaamheden.** Het gebruik van een ongeschikte zaagblad kan een slecht zaagresultaat en/of persoonlijk letsel veroorzaken.

Breedtegeleider (liniaal) (los verkrijgbaar) (zie afb. 12)

Met de handige breedtegeleider kunt u extra nauwkeurig recht zagen. Schuif gewoon de breedtegeleider strak tegen de zijkant van het werkstuk en zet deze op zijn plaats vast met behulp van de schroef op de voorkant van de zool van het gereedschap. Op deze manier is het tevens mogelijk een zaagbeweging te herhalen met identieke breedte.

ONDERHOUD

LET OP:

- Zorg er altijd voor dat de machine is uitgeschakeld en de accu is verwijderd, voordat u een inspectie of onderhoud uitvoert.
- Gebruik nooit benzine, wasbenzine, thinner, alcohol, enz. Dit kan leiden tot verkleuren, vervormen of barsten.

Het zaagblad inspecteren

- Controleer vóór en na ieder gebruik het zaagblad zorgvuldig op barsten of beschadiging. Vervang een gebarsten of beschadigde zaagblad meteen.
- Door een bot zaagblad te blijven gebruiken, kan leiden tot gevaarlijke terugslag van het gereedschap en/of overbelasting van de motor. Vervang het zaagblad door een nieuwe zodra het niet meer effectief zaagt.
- **Het zaagblad van de metaalcirkelzaag kan niet worden geslepen.**

De koolborstels vervangen (zie afb. 13)

Verwijder en controleer de koolborstels regelmatig. Vervang deze wanneer ze tot aan de slijtgrensmarkering zijn afgesleten. Houd de koolborstels schoon en zorg ervoor dat ze vrij kunnen bewegen in de houders. Beide koolborstels dienen tegelijkertijd te worden vervangen. Gebruik alleen identieke koolborstels. Gebruik een schroevendraaier om de koolborsteldoppen te verwijderen.

Haal de versleten koolborstels eruit, plaats de nieuwe erin, en zet de koolborsteldoppen goed vast **(zie afb. 14)**. Om de VEILIGHEID en BETROUWBAARHEID van het gereedschap te handhaven, dienen alle reparaties, onderhoud en afstellingen te worden uitgevoerd door een erkend Makita-servicecentrum, en altijd met gebruikmaking van originele Makita- vervangingsonderdelen.

VERKRIJGBARE ACCESSOIRES

⚠ LET OP:

- Deze accessoires of hulpstukken worden aanbevolen voor gebruik met het Makita-gereedschap dat in deze gebruiksaanwijzing wordt beschreven. Het gebruik van

andere accessoires of hulpstukken kan gevaar voor persoonlijk letsel opleveren. Gebruik de accessoires of hulpstukken uitsluitend voor de aangegeven gebruiksdoeleinden.

Mocht u meer informatie willen hebben over deze accessoires, dan kunt u contact opnemen met uw plaatselijke Makita-servicecentrum.

- Hardmetalen zaagbladen
- Breedtegeleider (liniaal)
- Duimschroeven M5 x 20
- Drukveer 6
- Inbus sleutel 5
- Veiligheidsbril
- Originele Makita-accu en -lader

OPMERKING:

- Sommige items op de lijst kunnen zijn inbegrepen in de doos van het gereedschap als standaard toebehoren. Zij kunnen van land tot land verschillen.

Geluid ENG905-1

Het standaard A-gewogen geluidsniveau zoals vastgesteld conform EN60745:

Geluidsdruk niveau (L_{pA}): 78 dB (A)
Onzekerheid (K): 3 dB (A)

Het geluidsniveau kan tijdens gebruik hoger worden dan 80 dB (A).

Draag gehoorbescherming.

Trilling ENG900-1

De totale trilwaarde (triaxiale vectorsom) zoals vastgesteld volgens EN60745:

Gebruikstoepassing: zagen van metaal
Trillingsemisatie ($a_{h,M}$): 2,5 m/s²
Onzekerheid (K): 1,5 m/s²

ENG901-1

- De opgegeven trillingsemisatie waarde is gemeten volgens de standaardtestmethode en kan worden gebruikt om dit gereedschap te vergelijken met andere gereedschappen.
- De opgegeven trillingsemisatie waarde kan ook worden gebruikt voor een beoordeling vooraf van de blootstelling.

WAARSCHUWING:

- De trillingsemisatie tijdens het gebruik van het elektrisch gereedschap in de praktijk kan verschillen van de opgegeven trillingsemisatie waarde afhankelijk van de manier waarop het gereedschap wordt gebruikt.
- Zorg ervoor dat veiligheidsmaatregelen worden getroffen ter bescherming van de operator die zijn gebaseerd op een schatting van de blootstelling onder praktijkomstandigheden (rekening houdend met alle fasen van de bedrijfscyclus, zoals de tijdsduur gedurende welke het gereedschap is uitgeschakeld en stationair draait, naast de ingeschakelde tijdsduur).

Alleen voor Europese landen ENH101-16

EU-verklaring van conformiteit

Wij, Makita Corporation, als de verantwoordelijke fabrikant, verklaren dat de volgende Makita-machine(s):

Aanduiding van de machine:

Accu metaal cirkelzaag

Modelnr./Type: DCS550

in serie zijn geproduceerd en

Voldoen aan de volgende Europese richtlijnen: 2006/42/EC

En zijn gefabriceerd in overeenstemming met de volgende normen of genormaliseerde documenten:
EN60745

De technische documentatie wordt bewaard door:
Makita International Europe Ltd.
Technical Department,
Michigan Drive, Tongwell,
Milton Keynes, Bucks MK15 8JD, Engeland

30. 1. 2009



Tomoyasu Kato
Directeur
Makita Corporation
3-11-8, Sumiyoshi-cho,
Anjo, Aichi, 446-8502, JAPAN

ESPAÑOL (Instrucciones originales)

Explicación de los dibujos

- | | | |
|---------------------------|---------------------------|----------------------------------|
| 1. Indicador rojo | 10. Palanca de desbloqueo | 19. Empuñadura delantera |
| 2. Botón | 11. Lámpara | 20. Mango trasero |
| 3. Cartucho de la batería | 12. Bloqueo del eje | 21. Ranuras del visor |
| 4. Marca de estrella | 13. Llave Allen | 22. Tornillo de apriete |
| 5. Palanca | 14. Tornillo hexagonal | 23. Tope lateral (regla de guía) |
| 6. Posición A | 15. Brida exterior | 24. Marca de límite |
| 7. Línea de corte | 16. Hoja de sierra | 25. Tapa del portaescobillas |
| 8. Base | 17. Brida interior | 26. Destornillador |
| 9. Interruptor disparador | 18. Arandela cóncava | |

ESPECIFICACIONES

Modelo	DCS550
Diámetro del disco	136 mm
Profundidad de corte máxima	51 mm
Velocidad en vacío (mín^{-1})	3.600
Longitud total	348 mm
Peso neto	2,6 kg
Tensión nominal	CC de 18 V

- Debido a nuestro programa continuo de investigación y desarrollo, las especificaciones aquí descritas están sujetas a cambios sin previo aviso.
- Las especificaciones y el cartucho de la batería pueden variar de un país a otro.
- Peso, con el cartucho de la batería, de acuerdo con el procedimiento EPTA 01/2003

Uso previsto

ENE066-1

Esta herramienta está diseñada para cortar acero suave y aluminio únicamente con las hojas de sierra adecuadas.

Advertencias de seguridad generales para herramientas eléctricas

GEA010-1

⚠ ADVERTENCIA Lea todas las advertencias de seguridad y todas las instrucciones. La no observancia de las advertencias y las instrucciones puede provocar descargas eléctricas, incendios y/o lesiones graves.

Guarde todas las advertencias e instrucciones para futuras consultas.

ADVERTENCIAS DE SEGURIDAD DE LA CORTADORA DE METAL INALÁMBRICA

GEB058-3

Procedimientos de corte

1. **⚠ PELIGRO: Mantenga las manos alejadas del área de corte y del disco. Mantenga su segunda mano en el mango auxiliar o en el alojamiento del motor.** Si ambas manos sujetan la herramienta no pueden sufrir cortes del disco.
2. **Nunca se ponga debajo de la pieza de trabajo.** El protector no puede protegerle del disco debajo de la pieza de trabajo.
3. **Ajuste la profundidad de corte al grosor de la pieza de trabajo.** Debe verse menos de un diente completo del disco por debajo de la pieza de trabajo.
4. **Nunca sujete la pieza que se está cortando en sus manos o entre sus piernas. Fije la pieza de trabajo a una plataforma estable.** Es importante sujetar la pieza de trabajo correctamente para minimizar la exposición del cuerpo, el agarrotamiento del disco o la pérdida de control.
5. **Sujete la herramienta solamente por las superficies de agarre aisladas al realizar una operación en que la herramienta de corte pueda entrar en contacto con cables ocultos.** Si entra en contacto con un cable con corriente, puede que las piezas metálicas expuestas de la herramienta eléctrica se carguen también de corriente y que el operario reciba una descarga.
6. **Cuando corte al hilo, utilice siempre un tope lateral o una guía de borde recto.** Esto mejora la precisión del corte y reduce la posibilidad de que el disco se agarrote.
7. **Utilice siempre discos con la forma (diamante o redondo) y el tamaño correctos de los agujeros del eje del disco.** Los discos que no coincidan con los elementos de montaje de la herramienta funcionarán de forma excéntrica, lo que causará una pérdida de control.
8. **Nunca utilice arandelas o pernos de disco dañados o incorrectos.** El perno y las arandelas del disco se han diseñado específicamente para su herramienta, para una seguridad y un rendimiento óptimos.

Causas de contragolpes y advertencias al respecto

- Un contragolpe es una reacción repentina provocada por un disco mal alineado, alabeado o mellado, que hace que una herramienta incontrolada se levante y se aleje de la pieza de trabajo hacia el operario.
- Cuando el disco está mellado o alabeado por la entalladura al cerrarse, éste se atasca y la reacción del motor empuja la unidad rápidamente hacia atrás, hacia el operario.
- Si el disco se tuerce o está mal alineado en el corte, los dientes de su borde posterior pueden clavarse en la superficie posterior de la madera, haciendo que el disco se salga del corte y salte hacia el operario.

El contragolpe es el resultado de un mal uso de la herramienta o de condiciones o procedimientos de uso incorrectos y se puede evitar tomando las precauciones que se indican a continuación.

9. **Sujete la herramienta firmemente con las dos manos y coloque sus brazos de forma que ofrezcan resistencia a las fuerzas de contragolpe. Coloque su cuerpo a ambos lados del disco, pero no en línea con él.** El contragolpe puede provocar que la herramienta salte hacia atrás; no obstante, el operario puede controlar la fuerza del contragolpe si toma las precauciones adecuadas.
10. **Cuando el disco se agarrote o cuando se interrumpa el corte por cualquier motivo, suelte el disparador y mantenga la herramienta quieta sobre el material hasta que el disco se detenga por completo. Nunca intente retirar la herramienta de la pieza de trabajo ni tire de la herramienta hacia atrás mientras el disco esté en movimiento ya que se podría producir un contragolpe.** Investigue la causa del agarrotamiento del disco y tome las acciones correctoras para eliminarlo.
11. **Cuando vuelva a poner en marcha la herramienta sobre la pieza de trabajo, centre el disco en la entalladura y compruebe que sus dientes no estén en contacto con el material.** Si el disco se agarrota, puede escalar la pieza de trabajo cuando se vuelve a poner en marcha la herramienta.
12. **Sujete los paneles grandes para minimizar el riesgo de que la madera comprima el disco y se produzca un contragolpe.** Los paneles grandes tienden a hundirse bajo su propio peso. Deben colocarse soportes bajo el panel en ambos lados, cerca de la línea de corte y del borde del panel.
13. **No utilice discos romos o dañados.** Los discos sin afilar o mal montados hacen que la entalladura sea estrecha, lo que provoca una fricción excesiva, un agarrotamiento del disco y el contragolpe.
14. **Las palancas de bloqueo del ajuste de bisel y de profundidad del disco deben estar bien apretadas y seguras antes de realizar el corte.** Si el ajuste del disco cambia durante el corte, se puede producir agarrotamiento y contragolpes.
15. **Tenga especial cuidado cuando realice un “corte por penetración” en paredes u otras áreas ciegas.** El disco que sobresale puede cortar objetos que pueden provocar contragolpes. Para cortes por penetración, retraiga el protector inferior utilizando el mango para retraerlo.

Función del protector inferior

16. **Compruebe si el protector inferior está bien cerrado antes de cada uso. No utilice la herramienta si el protector inferior no se mueve libremente y se cierra instantáneamente. Nunca sujete ni mantenga el protector inferior en la posición abierta.** Si la herramienta cae accidentalmente, la protección inferior se puede doblar. Levante el protector inferior con la palanca para retraerlo y asegúrese de que se mueve libremente y que no toca el disco ni ninguna otra parte, en todos los ángulos y profundidades de corte.
 17. **Compruebe el funcionamiento y el estado del muelle del protector inferior. Si el protector y el muelle no funcionan correctamente, deben repararse antes de utilizar la herramienta.** El protector inferior puede funcionar con lentitud debido a partes dañadas, depósitos de goma o acumulación de suciedad.
 18. **El protector inferior puede retrasarse manualmente sólo para cortes especiales como “cortes de inmersión” y “cortes compuestos.” Levante el protector inferior con el mango para retraerlo y, en cuanto el disco entre en el material, suelte el protector inferior.** Para todos los otros cortes con sierra, el protector inferior debe funcionar automáticamente.
 19. **Compruebe siempre que el protector inferior cubra el disco antes de colocar la herramienta sobre un banco o en el suelo.** Un disco sin proteger, que gire por inercia, puede hacer que la herramienta se desplace hacia atrás, cortando lo que esté en su camino. Tenga en cuenta que el disco tarda un tiempo en detenerse después de soltar el interruptor.
 20. **Para comprobar el protector inferior, ábralo a mano, suéltelo y compruebe si se cierra. Compruebe también que el mango, para retraerlo, no toque el alojamiento de la herramienta.** Dejar el disco al descubierto es MUY PELIGROSO y puede provocar graves lesiones personales.
- ### Advertencias de seguridad adicionales
21. **No detenga los discos ejerciendo presión lateral sobre ellos.**
 22. **PELIGRO:**
No intente retirar material cortado cuando el disco se está moviendo.
PRECAUCIÓN: Los discos siguen girando por inercia después de apagar la herramienta.
 23. **Coloque la parte más ancha de la base de la herramienta sobre la pieza de trabajo que está sujeta firmemente, no sobre la sección que caerá cuando se realice el corte.**
 24. **Nunca intente cortar con la herramienta boca arriba. Es extremadamente peligroso y puede provocar graves accidentes.**
 25. **Utilice gafas de seguridad y protección para los oídos mientras usa la herramienta.**
 26. **Utilice siempre los discos recomendados en este manual. No utilice discos abrasivos.**

GUARDE ESTAS INSTRUCCIONES.

ADVERTENCIA:

NO deje que la comodidad o la familiaridad con el producto (a base de utilizarlo repetidamente) sustituya la estricta observancia de las normas de seguridad del producto en cuestión. El MAL USO o la no observancia de las normas de seguridad expuestas en este manual de instrucciones pueden ocasionar graves daños corporales.

INSTRUCCIONES DE SEGURIDAD IMPORTANTES

ENC007-8

PARA EL CARTUCHO DE LA BATERÍA

1. Antes de utilizar el cartucho de la batería, lea todas las instrucciones y referencias de precaución que se encuentran en (1) el cargador de baterías, (2) la batería y (3) el producto que utiliza la batería.
2. No desmonte el cartucho de la batería.
3. Si el tiempo de funcionamiento es excesivamente corto, deje de utilizar la herramienta de inmediato. De lo contrario, existe el riesgo de sobrecalentamiento, quemaduras e incluso explosión.
4. Si se produce contacto ocular con electrolito, enjuáguese los ojos con agua limpia y acuda de urgencia al médico. Corre el riesgo de perder la visión.
5. No cortocircuite el cartucho de la batería:
 - (1) No toque los terminales con material conductor.
 - (2) Evite guardar el cartucho de la batería en un recipiente con otros objetos metálicos, como clavos, monedas, etc.
 - (3) No exponga el cartucho de la batería al agua o a la lluvia.Un cortocircuito puede provocar un elevado flujo de corriente, sobrecalentamiento, quemaduras o incluso una avería.
6. No almacene la herramienta ni el cartucho de la batería en lugares donde la temperatura supere los 50°C (122°F).
7. No queme el cartucho de la batería aunque esté gravemente dañado o completamente gastado. El cartucho de la batería puede explotar si entra en contacto con fuego.
8. Procure que la batería no sufra golpes ni caídas.
9. No utilice una batería dañada.
10. Siga las normativas locales relativas al desecho de la batería.

GUARDE ESTAS INSTRUCCIONES.

Consejos para conseguir una mayor duración de la batería

1. Cargue la batería antes de que se descargue por completo.
Cuando observe que la herramienta tiene menos potencia, deje de utilizarla y cargue el cartucho de la batería.
2. No recargue nunca un cartucho de batería completamente cargado.
La sobrecarga acorta la vida útil de la batería.
3. Cargue el cartucho de la batería a una temperatura ambiente que oscile entre 10°C y 40°C (50°F - 104°F). Antes de cargar un cartucho de batería caliente, deje que se enfríe.
4. Cargue la batería una vez cada seis meses si no la utiliza durante un periodo de tiempo prolongado.

DESCRIPCIÓN DEL FUNCIONAMIENTO

PRECAUCIÓN:

- Asegúrese siempre de apagar la herramienta y extraer el cartucho de la batería antes de intentar realizar cualquier tipo de ajuste o comprobación en ella.

Instalación o extracción del cartucho de la batería (Fig. 1)

PRECAUCIÓN:

- Apague siempre la herramienta antes de instalar o extraer el cartucho de la batería.
- Sujete la herramienta y el cartucho de la batería firmemente cuando instale o extraiga el cartucho de la batería. Si no sujeta la herramienta y el cartucho de la batería firmemente, pueden resbalar de sus manos y pueden producirse daños en la herramienta o el cartucho de la batería, así como lesiones personales.

Para quitar el cartucho de la batería, mantenga pulsado el botón de la parte frontal del cartucho y retírelo.

Para instalar el cartucho de la batería, alinee la lengüeta situada en el cartucho de la batería con la ranura del alojamiento e insértela. Insértelo completamente hasta que quede firmemente encajado con un clic. Si puede ver el indicador rojo de la zona superior del botón, significa que el cartucho no está encajado completamente.

PRECAUCIÓN:

- Instale siempre completamente el cartucho de la batería de forma que el indicador rojo quede oculto. De lo contrario, el cartucho puede desprenderse accidentalmente de la herramienta y causar lesiones al operario o a alguna persona que se encuentre cerca.
- No presione excesivamente el cartucho de la batería para instalarlo. Si el cartucho no entra con suavidad, significa que no lo está instalando correctamente.

Sistema de protección de la batería (batería de iones de litio con una marca de estrella) (Fig. 2)

Las baterías de iones de litio con una marca de estrella están equipadas con un sistema de protección. Este sistema corta automáticamente la alimentación a la herramienta para ampliar la duración de la batería.

La herramienta se detendrá automáticamente durante el funcionamiento si la herramienta y/o la batería se someten a los siguientes estados:

- **Sobrecarga:**
La herramienta se utiliza de una forma que hace que consuma una cantidad anormalmente alta de corriente.
En ese caso, suelte el interruptor disparador de la herramienta y detenga la aplicación que provocaba que la herramienta se sobrecargara. A continuación vuelva a accionar el interruptor disparador para reanudar las operaciones.
Si la herramienta no se pone en marcha, la batería se sobrecalienta. En ese caso, deje que la batería se enfríe antes de volver a accionar el interruptor disparador.
- **Tensión de la batería baja:**
La capacidad restante de la batería es demasiado baja y la herramienta no funcionará. En ese caso, extraiga y recargue la batería.

Ajuste de la profundidad de corte (Fig. 3)

PRECAUCIÓN:

- Después de ajustar la profundidad de corte, apriete siempre la palanca con firmeza.
- Afloje la palanca del lateral del mango posterior y mueva la base hacia arriba o hacia abajo. Cuando haya alcanzado la profundidad de corte deseada, fije la base apretando la palanca.
- Para lograr cortes más limpios y seguros, fije la profundidad de corte de forma que no se proyecte más de un diente del disco por debajo de la pieza de trabajo. El uso de una profundidad de corte correcta ayuda a reducir la posibilidad de peligrosos CONTRAGOLPES que pueden provocar lesiones personales.

Visor (Fig. 4)

Durante el corte, alinee la posición A de la parte delantera de la base con la línea de corte en la pieza de trabajo.

Funcionamiento del interruptor (Fig. 5)

PRECAUCIÓN:

- Antes de insertar el cartucho de la batería en la herramienta, asegúrese siempre de que el interruptor disparador funcione como es debido y que vuelva a la posición "OFF" (apagado) al soltarlo.
- No tire con fuerza del interruptor del disparador sin presionar la palanca de desbloqueo. Se puede romper el interruptor.

Para evitar que el disparador del interruptor se accione accidentalmente se proporciona una palanca de bloqueo. Para poner en marcha la herramienta, presione la palanca de desbloqueo y tire del disparador del interruptor.
Suelte el interruptor disparador para detener la herramienta.

ADVERTENCIA:

- Por su seguridad, esta herramienta está equipada con una palanca de desbloqueo que impide que la herramienta se ponga en marcha de forma accidental. NUNCA utilice la herramienta si funciona simplemente pulsando el disparador sin presionar la palanca de desbloqueo. Devuelva la herramienta a un centro de

asistencia técnica de MAKITA ANTES de continuar utilizándola.

- NUNCA fije con cinta adhesiva ni impida el funcionamiento ni la finalidad de la palanca de desbloqueo.

Encendido de la lámpara (Fig. 6)

PRECAUCIÓN:

- No mire hacia la luz ni mire directamente hacia la fuente de luz.

Para encender sólo la luz, tire del interruptor disparador sin presionar la palanca de desbloqueo. Para encender la luz y utilizar la herramienta, presione la palanca de desbloqueo y tire del interruptor disparador mientras mantiene presionada la palanca de desbloqueo.

NOTA:

- Utilice un bastoncillo de algodón para limpiar la suciedad del cristal de la lámpara. Procure no rayar el cristal de la lámpara, puesto que puede disminuir el grado de iluminación.
- No utilice gasolina, disolvente ni ningún producto similar para limpiar la lente de la lámpara. El uso de tales sustancias dañará la lente.

MONTAJE

PRECAUCIÓN:

- Asegúrese siempre de apagar la herramienta y extraer el cartucho de la batería antes de intentar realizar cualquier tipo de operación en la herramienta.

Instalación o extracción del disco (Fig. 7)

PRECAUCIÓN:

- Asegúrese de que el disco esté instalado con los dientes apuntando hacia la parte delantera de la herramienta.
- Utilice sólo la llave de Makita para instalar o extraer el disco.

Para extraer el disco, ejerza presión sobre el bloqueo del eje para que el disco no pueda girar y utilice la llave para aflojar el perno hexagonal en el sentido contrario a las agujas del reloj. A continuación, extraiga el perno de cabeza hexagonal, la brida exterior y el disco.

Para instalar el disco, siga el procedimiento de extracción a la inversa. **ASEGÚRESE DE APRETAR FIRMEMENTE EL PERNO DE CABEZA HEXAGONAL EN EL SENTIDO DE LAS AGUJAS DEL RELOJ. (Fig. 8)**

Cuando cambie el disco, asegúrese de limpiar también el serrín y las partículas que se hayan acumulado en los protectores superior e inferior del disco. No obstante, tales esfuerzos no sustituyen la necesidad de comprobar el funcionamiento del protector inferior antes de cada uso.

Almacenamiento de la llave Allen (Fig. 9)

Cuando no la utilice, guarde la llave Allen como se muestra en la figura para evitar que se pierda.

MANEJO

PRECAUCIÓN:

- Inserte siempre el cartucho de la batería hasta que quede completamente sujeto. Si puede ver la parte roja de la zona superior del botón, significa que el cartucho

no está completamente bloqueado. Insértelo completamente hasta que la parte roja quede oculta. De lo contrario, el cartucho puede desprenderse accidentalmente de la herramienta y causar lesiones al operario o a alguna persona que se encuentre cerca.

- Asegúrese de desplazar la herramienta suavemente hacia delante en línea recta. Si se fuerza o se retuerce la herramienta se provocará un sobrecalentamiento del motor y un peligroso contragolpe, que puede causar graves lesiones personales.
- Si la herramienta se utiliza continuamente hasta que el cartucho de la batería se descarga, deje reposar la herramienta durante 15 minutos antes de continuar con una batería cargada.
- No fuerce ni tuerza nunca la herramienta durante el corte. Podría provocar una sobrecarga del motor y/o un contragolpe peligroso y producir graves lesiones al operario.
- Lleve siempre protección ocular o gafas de seguridad antes de poner en marcha la herramienta. (Fig. 10)

Sujete firmemente la herramienta. La herramienta se suministra con una empuñadura delantera y un mango trasero. Utilice ambos elementos para sujetar mejor la herramienta. Si ambas manos sujetan la herramienta no pueden sufrir cortes del disco. Coloque la base sobre la pieza de trabajo que debe cortarse sin que el disco realice ningún contacto. A continuación, encienda la herramienta y espere hasta que el disco alcance la velocidad máxima. Ahora sólo tiene que empujar la herramienta hacia delante sobre la superficie de la pieza de trabajo, manteniéndola plana y avanzando suavemente hasta que el proceso de corte se haya completado.

Para obtener cortes limpios, mantenga la línea de corte recta y la velocidad de avance uniforme. Si el corte no sigue correctamente la línea de corte prevista, no intente girar la herramienta ni la fuerce para volver a la línea de corte. El disco puede trabarse y provocar peligrosos contragolpes y posibles lesiones graves. Suelte el interruptor, espere a que el disco se pare y retire la herramienta. Vuelva a alinear la herramienta sobre la línea de corte y reinicie el corte. Intente no colocarse en una postura que exponga al operador a las astillas y partículas que se expulsan desde la herramienta. Utilice protección ocular para evitar lesiones.

La ranura del visor sobre la base permiten comprobar fácilmente la distancia entre el borde delantero del disco y la pieza de trabajo siempre que se ajusta la mayor profundidad de corte del disco. (Fig. 11)

PRECAUCIÓN:

- No utilice discos deformados ni agrietados. Cámbielos por discos nuevos.
- No apile los materiales mientras los corta.
- No corte acero endurecido, acero inoxidable, madera, plástico, hormigón, azulejos, etc. **Corte solamente acero suave y aluminio.**
- No toque el disco, la pieza de trabajo ni las virutas con la mano inmediatamente después de cortar; pueden estar extremadamente calientes y producir quemaduras en la piel.
- **Utilice siempre los discos apropiados para su trabajo.** El uso de discos inadecuados puede hacer que los resultados del corte no sean buenos y/o puede suponer un riesgo de lesiones personales.

Tope lateral (regla de guía) (accesorio) (Fig. 12)

El útil tope lateral permite realizar cortes rectos de gran precisión. Sólo tiene que deslizar el tope lateral cómodamente hasta el lateral de la pieza de trabajo y fijarlo en posición con el tornillo de la parte delantera de la base. También hace que el ancho de los cortes repetidos sea lo más uniforme posible.

MANTENIMIENTO

PRECAUCIÓN:

- Asegúrese de apagar siempre la herramienta y extraer el cartucho de la batería antes de intentar realizar cualquier trabajo de inspección o mantenimiento en ella.
- Nunca utilice gasolina, benceno, disolvente, alcohol o un producto similar. Se puede provocar una decoloración, una deformación o grietas.

Inspección del disco

- Compruebe el disco cuidadosamente para ver si tiene grietas o daños antes y después de cada uso. Reemplace el disco inmediatamente si está agrietado o dañado.
- El uso continuo de un disco roto puede provocar contragolpes peligrosos y/o la sobrecarga del motor. Reemplace el disco por uno nuevo cuando ya no corte debidamente.
- **Los discos para cortar metal no pueden afilarse.**

Sustitución de las escobillas de carbón (Fig. 13)

Extraiga y compruebe las escobillas de carbón regularmente.

Cámbielas cuando el desgaste alcance la marca de límite. Mantenga las escobillas de carbón limpias y de forma que entren libremente en los portaescobillas.

Ambas escobillas de carbón deberán ser sustituidas al mismo tiempo. Utilice únicamente escobillas de carbón idénticas.

Utilice un destornillador para extraer las tapas de los portaescobillas.

Saque las escobillas de carbón desgastadas, introduzca las nuevas y cierre las tapas de los portaescobillas.

(Fig. 14)

Para conservar la SEGURIDAD y la FIABILIDAD del producto, los trabajos de reparación y otros trabajos de mantenimiento y ajuste deberán ser realizados en centros de servicio autorizados de Makita, utilizando siempre repuestos Makita.

ACCESORIOS OPCIONALES

⚠ PRECAUCIÓN:

- Se recomienda el uso de estos accesorios o complementos con la herramienta Makita especificada en este manual. El uso de otros accesorios o complementos puede conllevar el riesgo de ocasionar daños corporales. Utilice los accesorios o complementos solamente para su fin establecido.

Si necesita cualquier ayuda para obtener más información relativa a estos accesorios, pregunte a su centro de servicio Makita local.

- Hojas con puntas de carburo
- Tope lateral (regla de guía)
- Tornillo de mano M5 x 20
- Muelle de compresión 6
- Llave Allen 5
- Gafas de seguridad
- Batería y cargador originales de Makita

La documentación técnica la conserva:
 Makita International Europe Ltd.
 Technical Department,
 Michigan Drive, Tongwell,
 Milton Keynes, Bucks MK15 8JD, Inglaterra

30. 1. 2009

NOTA:

- Algunos elementos de la lista se pueden incluir en el paquete de la herramienta como accesorios estándar. Pueden ser diferentes de un país a otro.



Tomoyasu Kato
 Director

Makita Corporation
 3-11-8, Sumiyoshi-cho,
 Anjo, Aichi, 446-8502, JAPAN

Ruido ENG905-1
 Nivel de ruido típico de ponderación A establecido según EN60745:

Nivel de presión de sonido (L_{pA}): 78 dB (A)
 Incertidumbre (K): 3 dB (A)

El nivel de ruido durante el trabajo puede superar los 80 dB (A).

Utilice protección para los oídos.

Vibración ENG900-1
 Valor total de vibración (suma de vectores triaxiales) establecido según la EN60745:

Modo de trabajo: corte de metal
 Emisión de vibraciones ($a_{h,M}$): 2,5 m/s²
 Incertidumbre (K): 1,5 m/s²

- El valor de emisión de vibraciones se ha medido de acuerdo con el método de prueba estándar y se puede utilizar para comparar herramientas.
- El valor de emisión de vibraciones declarado también se puede usar en una evaluación preliminar de la exposición.

⚠ ADVERTENCIA:

- La emisión de vibraciones durante el uso de la herramienta eléctrica puede diferir del valor de emisiones declarado, dependiendo de las formas en que se utiliza la herramienta.
- Asegúrese de identificar las mediciones correctas para proteger al operario, que se basan en una estimación de la exposición en condiciones de uso reales (teniendo en cuenta todas las partes del ciclo de operaciones, como los momentos en los que la herramienta está apagada y cuando funciona al ralentí además del tiempo en que está activado el interruptor).

Sólo para países europeos ENH101-16

Declaración de conformidad de la CE

Nosotros, Makita Corporation, en calidad de fabricante responsable, declaramos que las siguientes máquinas Makita:

Designación de la máquina:
 Cortadora de metal inalámbrica
 N° de modelo/ Tipo: DCS550
 son de producción en serie y

Cumplen con las siguientes Directivas europeas:
 2006/42/CE

Y se han fabricado de acuerdo con los siguientes estándares o documentos estandarizados:
 EN60745

PORTUGUÊS (Instruções de origem)

Descrição geral

- | | | |
|-----------------------|--------------------------|--|
| 1. Indicador vermelho | 10. Alavanca de bloqueio | 19. Pega dianteira |
| 2. Botão | 11. Lâmpada | 20. Alavanca posterior |
| 3. Bateria | 12. Bloqueio do veio | 21. Ranhuras da mira |
| 4. Marca de estrela | 13. Chave sextavada | 22. Parafuso de fixação |
| 5. Alavanca | 14. Parafuso sextavado | 23. Vedação para escarificação (guia paralela) |
| 6. Posição A | 15. Flange exterior | 24. Marca limite |
| 7. Linha de corte | 16. Lâmina da serra | 25. Tampa do porta-escovas |
| 8. Base | 17. Flange interior | 26. Chave de parafusos |
| 9. Gatilho | 18. Copo de anilha | |

ESPECIFICAÇÕES

Modelo	DCS550
Diâmetro da lâmina	136 mm
Profundidade máxima de corte	51 mm
Velocidade de rotação sem carga (mín. ⁻¹)	3.600
Comprimento total	348 mm
Peso líquido	2,6 kg
Voltagem nominal	D.C. 18 V

- Devido à pesquisa e desenvolvimento constantes, estas especificações estão sujeitas a alteração sem aviso prévio.
- As especificações e o cartucho da bateria podem ser diferentes consoante o país.
- Peso, com a bateria, de acordo com o procedimento EPTA de 01/2003

Utilização prevista

ENE066-1

A ferramenta destina-se a cortar apenas em aço suave e alumínio, utilizando serras adequadas.

Avisos gerais de segurança para ferramentas eléctricas

GEA010-1

⚠ AVISO Leia todos os avisos de segurança e todas as instruções. O não cumprimento dos avisos e instruções pode resultar na ocorrência de choques eléctricos, incêndios e/ou ferimentos graves.

Guarde todos os avisos e instruções para referência futura.

AVISOS DE SEGURANÇA PARA O CORTADOR DE METAL SEM FIOS

GEA058-3

Procedimentos de corte

1. **⚠ PERIGO:** Mantenha as mãos afastadas da área de corte e a lâmina. Mantenha a outra mão na pega auxiliar ou caixa do motor. Se ambas as mãos estiverem a segurar a ferramenta, não podem ser cortadas pela lâmina.
2. **Não coloque as mãos por baixo da peça de trabalho.** A protecção não o pode proteger da lâmina debaixo da peça de trabalho.
3. **Ajuste a profundidade de corte para a espessura da peça de trabalho.** Deve ser visível menos do que um dente completo dos dentes da lâmina abaixo da peça de trabalho.
4. **Nunca coloque a peça que está a ser cortada nas mãos ou cima das pernas. Fixe a peça de trabalho**

a uma plataforma estável. É importante suportar correctamente a peça de trabalho para minimizar a exposição do corpo, dobragem da lâmina ou perda de controlo.

5. **Ao executar operações em que a ferramenta de corte possa entrar em contacto com fios eléctricos ocultos, tenha o cuidado de tocar apenas nas superfícies isoladas da máquina.** Se entrar em contacto com um cabo sob tensão, as partes metálicas expostas da ferramenta eléctrica podem ficar igualmente sob tensão, podendo provocar um choque eléctrico no operador.
6. **Quando escarificar, utilize sempre uma vedação para escarificação ou guia de margem direita.** Isto melhora a precisão do corte e reduz as possibilidades de dobragem da lâmina.
7. **Utilize sempre lâminas com o tamanho e forma correctos (diamante em vez de redondo) dos orifícios de alojamento.** As lâminas que não correspondam ao hardware de instalação da ferramenta funcionarão de forma excêntrica, provocando uma perda de controlo.
8. **Nunca utilize anilhas ou parafusos de lâmina danificados ou incorrectos.** As anilhas e parafusos da lâmina foram concebidos especificamente para a sua ferramenta, para uma utilização ideal e segurança de funcionamento.

Causas de recuos e avisos relacionados

- O recuo é uma reacção súbita a uma lâmina atracada, empenada ou não alinhada, fazendo com que uma ferramenta não controlada se levante para fora da peça de trabalho, na direcção do operador.
- Quando a lâmina está atracada ou bastante presa pelo corte a fechar, a lâmina pára e a reacção do motor

atira a rapidamente a unidade na direcção do operador.

- Se a lâmina fica torta ou não alinhada no corte, os dentes na parte posterior da lâmina podem enterrar-se na superfície superior da peça de trabalho, fazendo com a lâmina suba para fora do corte e salte na direcção do operador.

O recuo é o resultado da má utilização da ferramenta e/ou procedimentos de funcionamento incorrectos e pode ser evitado tomando as devidas precauções, tal como indicado em baixo.

9. **Agarre bem a ferramenta com ambas as mãos e posicione os braços para resistir às forças de recuo. Posicione o seu corpo para um dos lados da lâmina, mas não alinhado com a lâmina.** O recuo pode fazer com que a ferramenta salte para trás, mas as forças de recuo podem ser controladas pelo operador, se forem tomadas as devidas precauções.
10. **Quando a lâmina estiver a dobrar ou quando interromper um corte por qualquer razão, solte o gatilho e segure na ferramenta sem a mexer no material, até que a lâmina pare completamente. Nunca tente remover a ferramenta da peça de trabalho ou puxar a ferramenta para trás enquanto a lâmina se estiver a mover, caso contrário, poderá ocorrer um recuo.** Investigue e tome acções correctivas para eliminar a causa do empeno da lâmina.
11. **Quando reiniciar uma ferramenta na peça de trabalho, centre a lâmina no corte e verifique se os dentes da lâmina não estão presos ao material.** Se a lâmina estiver a dobrar, poderá levantar ou recuar da peça de trabalho, quando a ferramenta é reiniciada.
12. **Dê suporte aos painéis de grandes dimensões, para minimizar o risco de atracar a lâmina e de recuo.** Os painéis de grandes dimensões tendem a abater sob o seu próprio peso. Os suportes devem ser colocados debaixo do painel em ambos os lados, perto da linha de corte e perto da margem da extremidade do painel.
13. **Não utilize lâminas rombas ou danificadas.** As lâminas rombas ou incorrectamente configuradas produzem um corte estreito, causando fricção excessiva, atracamento da lâmina e recuo.
14. **As alavancas de regulação da profundidade da lâmina e bisel devem estar apertadas e fixas antes de cortar.** Se a regulação da lâmina mudar durante o corte, pode provocar a dobragem da lâmina e recuo.
15. **Utilize um cuidado adicional quando fizer um “corte a fundo” em paredes existentes ou outras zonas cegas.** A lâmina saliente pode cortar objectos que provoquem recuo. Para cortes a fundo, recolha a protecção inferior utilizando a alavanca de recolha.

Função da protecção inferior

16. **Verifique se a protecção inferior fecha correctamente antes de cada utilização. Não accione a ferramenta se a protecção inferior não se mover livremente e não se fechar imediatamente. Nunca prenda ou amarre a protecção inferior na posição aberta.** Se a ferramenta cair acidentalmente, a protecção inferior pode estar dobrada. Levante a protecção inferior com

a alavanca de recolha e certifique-se de que se move livremente e não toca na lâmina ou qualquer outra parte, em todos os ângulos e profundidades de corte.

17. **Verifique o funcionamento e condição da mola da protecção inferior. Se a protecção e a mola não estiverem a funcionar correctamente, deve ser efectuada uma operação de manutenção antes de utilizar.** A protecção inferior pode funcionar de forma lenta devido a peças danificadas, depósitos aderentes ou acumulação de resíduos.
18. **A protecção inferior deve ser recolhida manualmente, apenas para cortes especiais tais como “cortes a fundo” e “cortes compostos”.** Levante a protecção inferior utilizando a alavanca de recolha logo que a lâmina entre no material, a protecção inferior deve ser libertada. Para todas as outras operações de serragem, a protecção inferior deve funcionar automaticamente.
19. **Verifique sempre se a protecção inferior está a cobrir a lâmina antes de apoiar a ferramenta num banco ou no chão.** Uma lâmina desprotegida e a abrاندar fará com que a ferramenta avance para trás, cortando tudo o que estiver no seu caminho. Tenha em conta o tempo que a lâmina demora a parar após o interruptor ser libertado.
20. **Para verificar a protecção inferior, abra-a à mão e solte, verificando se fecha correctamente. Verifique igualmente se a alavanca de recolha não toca na caixa da ferramenta.** Deixar a lâmina exposta é MUITO PERIGOSO e pode levar a ferimentos pessoais graves.

Avisos de segurança adicionais

21. **Não pare as lâminas utilizando pressão lateral na lâmina.**
22. **PERIGO:**
Não tente remover material cortado quando a lâmina se estiver a mover.
PRECAUÇÃO: As lâminas continuam a funcionar após desligar.
23. **Coloque a parte mais larga da base da ferramenta nessa parte da peça de trabalho que está bem apoiada e não na secção que cairá quando o corte for efectuado.**
24. **Nunca tente efectuar um corte com a ferramenta virada ao contrário num torno de bancada. Isto é extremamente perigoso e pode levar a acidentes graves.**
25. **Use óculos de segurança e protecção para os ouvidos durante a utilização.**
26. **Utilize sempre as lâminas recomendadas neste manual. Não utilize quaisquer rodas abrasivas.**

GUARDE ESTAS INSTRUÇÕES.



AVISO:

NÃO deixe que o conforto ou familiaridade com o produto (obtida de uma utilização regular) substituam um cumprimento severo das regras de segurança do produto em causa. Uma UTILIZAÇÃO INCORRECTA ou não cumprimento das regras de segurança indicadas neste manual de instruções podem provocar ferimentos pessoais sérios.

INSTRUÇÕES DE SEGURANÇA IMPORTANTES

ENC007-8

RELATIVAS À BATERIA

1. Antes de utilizar a bateria, leia as instruções e chamadas de atenção de: (1) o carregador da bateria, (2) a bateria e (3) o produto que utiliza a bateria.
2. Não desmonte a bateria.
3. Se o tempo de utilização com a bateria se tornar demasiado curto, deve parar imediatamente. Se continuar, pode causar sobreaquecimento, incêndio e mesmo explosão.
4. Se o electrólito entrar em contacto com os olhos, enxágue-os com água limpa e consulte imediatamente um médico. Os riscos incluem perda de visão.
5. Não provoque um curto-circuito na bateria:
 - (1) Não deixe que quaisquer materiais condutores entrem em contacto com os terminais da bateria.
 - (2) Evite guardar a bateria juntamente com outros objectos de metal como pregos, moedas, etc.
 - (3) Não exponha a bateria a água ou chuva. Um curto-circuito na bateria pode criar uma grande carga eléctrica, sobreaquecimento, fogo e uma quebra da corrente.
6. Não guarde a ferramenta e a bateria em locais onde a temperatura possa atingir ou exceder 50°C (122°F).
7. Não incinere a bateria, nem mesmo se esta estiver irremediavelmente danificada ou completamente gasta. Pode explodir e causar um incêndio.
8. Não a deixe cair e evite o choque com outros objectos.
9. Não utilize uma bateria danificada.
10. Siga os regulamentos locais relacionados com a eliminação da bateria.

GUARDE ESTAS INSTRUÇÕES.

Sugestões para o máximo de tempo de vida da bateria

1. Não espere que a bateria se gaste completamente para voltar a carregá-la. Pare a ferramenta e carregue a bateria sempre que detectar um baixo nível de energia.
2. Nunca volte a carregar uma bateria já completamente carregada. O carregamento excessivo diminui o tempo de vida das baterias.
3. Carregue a bateria em locais onde a temperatura se situe entre 10°C e 40°C (50°F - 104°F). Se a bateria estiver quente, deixe-a arrefecer antes de iniciar o carregamento.
4. Carregue a bateria uma vez a cada seis meses se não a utilizar durante um longo período.

DESCRIÇÃO DO FUNCIONAMENTO

PRECAUÇÃO:

- Certifique-se sempre de que a ferramenta está desligada e que a bateria foi removida antes de proceder a ajustes ou testar acessórios.

Inserir ou retirar a bateria (Fig. 1)

⚠ PRECAUÇÃO:

- Desligue sempre a ferramenta antes de instalar ou retirar a bateria.
- **Segure bem a ferramenta e a bateria quando instalar ou retirar a bateria.** Se não segurar bem a ferramenta e a bateria, pode fazer com que caiam das mãos e provoquem danos na ferramenta e na bateria e ferimentos pessoais.

Para retirar a bateria, mantenha premido o botão na frente da bateria e puxe.

Para colocar a bateria, alinhe a respectiva saliência com a calha do compartimento e encaixe-a suavemente.

Insira-a completamente até fixar em posição com um clique. Se ainda estiver visível o indicador vermelho na parte superior do botão, não estará bem encaixado.

⚠ PRECAUÇÃO:

- Instale sempre a bateria completamente, até deixar de ver o indicador vermelho. Caso contrário, pode cair da ferramenta e causar ferimentos em si, ou em alguém que esteja perto de si.
- Não instale a bateria forçosamente. Se não encaixar facilmente é porque não está correctamente posicionada.

Sistema de protecção da bateria (Bateria de iões de lítio com uma marca de estrela) (Fig. 2)

As baterias de iões de lítio com uma marca de estrela estão equipadas com um sistema de protecção. Este sistema corta automaticamente a alimentação para prolongar a vida útil da bateria.

A ferramenta pára automaticamente durante o funcionamento quando a ferramenta e/ou bateria são colocadas numa das condições seguintes:

- Sobrecarregada:

A ferramenta é utilizada de tal forma que atrai uma corrente involuntariamente alta. Nesta situação, solte o gatilho da ferramenta e pare a aplicação que causou a sobrecarga. De seguida, prima novamente o gatilho para reiniciar. Se a ferramenta não ligar, a bateria está sobreaquecida. Nesta situação, deixe a bateria arrefecer antes de premir novamente o gatilho.
- Tensão baixa da bateria:

A carga restante da bateria é demasiado baixa e a ferramenta não funciona. Nesta situação, retire e recarregue a bateria.

Regular a profundidade de corte (Fig. 3)

PRECAUÇÃO:

- Após regular a profundidade de corte, aperte sempre bem a alavanca.

Desaperte a alavanca na parte lateral da alavanca posterior e mova a base para cima ou para baixo. Na

profundidade de corte pretendida, fixe a base apertando a alavanca.

Para cortes mais limpos e seguros, defina a profundidade de corte de forma a que não mais de um dente de uma lâmina seja projectado abaixo da peça de trabalho. Utilizar uma profundidade de corte correcta reduz o potencial para RECUOS perigosos que podem causar ferimentos pessoais.

Alinhamento (Fig. 4)

Quando cortar, alinhe a posição A na frente da base com a linha de corte na peça de trabalho.

Acção do interruptor (Fig. 5)

PRECAUÇÃO:

- Antes de inserir a pilha na ferramenta, verifique se o gatilho está a funcionar correctamente e se volta à posição "OFF" quando o solta.
- Não puxe com força o gatilho sem pressionar a alavanca de bloqueio. Isto poderá quebrar o interruptor.

Para evitar que o gatilho seja acidentalmente puxado, é fornecida uma alavanca de bloqueio. Para iniciar a ferramenta, pressione a alavanca de bloqueio e puxe o gatilho.

Para parar a ferramenta, solte o gatilho.

AVISO:

- Para a sua segurança, esta ferramenta está equipada com uma alavanca de bloqueio, o que evita que a ferramenta se ligue acidentalmente. NUNCA utilize a ferramenta se esta funcionar quando premir o gatilho sem premir a alavanca de bloqueio. Devolva a ferramenta a um centro de serviço MAKITA para que seja correctamente reparada ANTES de utilizar.
- NUNCA coloque fita-cola ou desactive o objectivo e função da alavanca de bloqueio.

Acender a lâmpada (Fig. 6)

PRECAUÇÃO:

- Não olhe directamente para a luz da ferramenta.

Para apenas acender a luz, puxe o gatilho sem premir a alavanca de bloqueio. Para acender a luz e accionar a ferramenta, prima a alavanca de bloqueio e puxe o gatilho premindo a alavanca de bloqueio.

NOTA:

- Para limpar a lâmpada, utilize um cotonete. Tenha cuidado para não riscar a lente da lâmpada, pois poderia diminuir a intensidade da iluminação.
- Não utilize gasolina, diluente ou semelhantes para limpar a lente de uma lâmpada. Utilizar tais substâncias danificará a lente.

MONTAGEM

PRECAUÇÃO:

- Certifique-se sempre de que a ferramenta está desligada e a bateria removida, antes de efectuar qualquer operação na ferramenta.

Retirar ou instalar a lâmina (Fig. 7)

PRECAUÇÃO:

- Certifique-se de que a lâmina está instalada com os dentes a apontar para a frente da ferramenta.
- Utilize apenas uma chave Makita para instalar ou remover a lâmina.

Para remover a lâmina, prima o bloqueio do veio de forma a que a lâmina não possa voltar-se e utilize a chave para desapertar o parafuso sextavado no sentido contrário ao dos ponteiros do relógio. De seguida, remova o parafuso sextavado, flange exterior e lâmina.

Para instalar a lâmina, siga o procedimento inverso de remoção. **CERTIFIQUE-SE DE QUE APERTA BEM O PARAFUSO SEXTAVADO NO SENTIDO DOS PONTEIROS DO RELÓGIO. (Fig. 8)**

Quando mudar a lâmina, certifique-se de que limpa igualmente as partículas e resíduos acumulados das protecções superiores e inferiores da lâmina. No entanto, tais esforços não substituem a necessidade de verificar o funcionamento da protecção inferior antes de cada utilização.

Armazenamento da chave sextavada (Fig. 9)

Quando não estiver a ser utilizada, guarde a chave sextavada tal como indicado na ilustração, para evitar que se perca.

FUNCIONAMENTO

PRECAUÇÃO:

- Introduza sempre o cartucho da bateria até ao fundo, até que encaixe. Se ainda estiver visível a peça vermelha na parte superior do botão, não estará bem encaixada. Insira-a completamente, até deixar de ver a peça vermelha. Caso contrário, pode cair da ferramenta e causar ferimentos em si, ou em alguém que esteja perto de si.
- Certifique-se de que move suavemente a ferramenta para a frente numa linha recta. Forçar ou torcer a ferramenta resultará num sobreaquecimento do motor e recuos perigosos, causando possivelmente ferimentos graves.
- Se mantiver a ferramenta a funcionar ininterruptamente até a bateria se gastar completamente, deixe-a em repouso durante 15 minutos antes de substituir a bateria.
- Nunca torça ou force a ferramenta no corte. Isto poderá causar uma sobrecarga do motor e/ou um recuo perigoso, resultando em ferimentos graves no operador.
- Use sempre protecção para os olhos ou óculos antes de utilizar. (Fig. 10)

Segure bem na ferramenta. A ferramenta é fornecida com um apoio dianteiro e pega traseira. Utilize ambos para agarrar bem a ferramenta. Se ambas a mãos estiverem a segurar a ferramenta, não podem ser cortadas pela lâmina. Defina a base na peça de trabalho a cortar, sem que a lâmina faça qualquer contacto. De seguida, ligue a ferramenta e aguarde até que a lâmina atinja a velocidade máxima. Agora, basta mover a ferramenta para a frente sobre a superfície da peça de trabalho, mantendo-a nivelada e avançando suavemente até que termine de cortar.

Para obter cortes limpos, mantenha a linha de corte a direito e a velocidade de avanço uniforme. Se o corte não seguir de forma adequada a linha de corte pretendida, não tente rodar ou forçar a ferramenta novamente para a linha de corte. Ao fazê-lo poderá dobrar a lâmina e levar a recuos perigosos e possíveis ferimentos graves. Solte o interruptor, aguarde que a lâmina pare e retire a ferramenta. Realinhe a ferramenta numa nova linha de corte e comece outra vez a cortar. Tente evitar um posicionamento que exponha o operador a partículas e resíduos que são ejectados da ferramenta. Use protecção para os olhos para ajudar a evitar ferimentos. As ranhuras da mira na base faz com que seja fácil verificar a distância entre a margem dianteira da lâmina e a peça de trabalho, sempre que a lâmina estiver definida para a profundidade máxima de corte. (Fig. 11)

PRECAUÇÃO:

- Não utilize uma lâmina deformada ou rachada. Substitua-a por uma nova.
- Não empilhe materiais quando os cortar.
- Não corte aço endurecido, aço inoxidável, madeira, plásticos, cimento, azulejos, etc. **Corte apenas aço mole e alumínio.**
- Não toque na lâmina, peça de trabalho ou partículas com as mãos desprotegidas imediatamente após cortar, poderão estar extremamente quentes e queimarão a pele.
- **Utilize sempre lâminas adequadas ao trabalho.** A utilização de lâminas inadequadas poderá causar um mau desempenho de corte e/ou apresentar um risco de ferimentos pessoais.

Vedação para escarificação (guia paralela) (Acessório) (Fig. 12)

A vedação para escarificação permite que faça cortes a direito bastante precisos. Basta deslizar a vedação para escarificação ao longo da peça de trabalho e fixe-a com o parafuso na frente da base. Possibilita igualmente que faça cortes repetidos com larguras uniformes.

MANUTENÇÃO

PRECAUÇÃO:

- Certifique-se sempre de que a ferramenta está desligada e a bateria removida antes de efectuar operações de inspecção ou de manutenção.
- Nunca utilize gasolina, benzina, diluente, álcool ou semelhante. Podem formar-se descolorações, deformações ou fissuras.

Inspecionar a lâmina

- Verifique cuidadosamente a lâmina para a existência de fissuras ou danos antes e depois de cada utilização. Substitua imediatamente uma lâmina rachada ou danificada.
- A utilização continuada de uma lâmina romba poderá causar um recuo perigoso e/ou sobrecarga do motor. Substitua por uma nova chave logo que deixe de cortar eficazmente.
- **As lâminas para o cortador de metal não podem ser novamente afiadas.**

Substituição das escovas de carvão (Fig. 13)

Remova e verifique regularmente as escovas de carvão. Substitua-as quando o desgaste atingir a marca limite. Mantenha-as limpas para poderem deslizar no porta-escovas.

Substitua as duas ao mesmo tempo. Utilize unicamente escovas de carvão idênticas.

Utilize uma chave de parafusos para remover as tampas do porta-escovas.

Retire as escovas usadas, coloque umas novas e fixe as tampas do porta-escovas. (Fig. 14)

Para manter os níveis de SEGURANÇA e FIABILIDADE definidos para este produto, as reparações e os procedimentos de manutenção ou ajustes devem ser executados por centros de assistência Makita autorizados, utilizando sempre peças de substituição Makita.

ACESSÓRIOS OPCIONAIS

⚠️ PRECAUÇÃO:

- Os seguintes acessórios ou extensões são os recomendados para utilizar com a ferramenta Makita especificada neste manual. A utilização de quaisquer outros acessórios poderá representar um risco de ferimento para as pessoas. Apenas utilize o acessório para o fim indicado.

Se precisar de informações adicionais relativas aos acessórios, contacte o centro local de assistência Makita.

- Lâminas com ponta de carbido
- Vedação para escarificação (guia paralela)
- Parafuso M5 x 20
- Mola de compressão 6
- Chave sextavada 5
- Óculos protectores
- Bateria e carregador genuínos da Makita

NOTA:

- Alguns itens na lista podem estar incluídos no pacote de ferramentas como acessórios de série. Podem diferir de país para país.

Ruído

ENG905-1

Os níveis acústicos ponderados A típicos foram determinados segundo a EN60745:

Nível de pressão sonora (L_{pA}): 78 dB (A)
Imprecisão (K): 3 dB (A)

O nível de ruído quando em funcionamento pode exceder os 80 dB (A).

Use protecção para os ouvidos.

Vibração

ENG900-1

O valor total da vibração (soma vectorial triaxial) é determinado segundo a EN60745:

Modo de trabalho: corte de metal
Emissão de vibração ($a_{h,M}$): 2,5 m/s²
Imprecisão (K): 1,5 m/s²

ENG901-1

- O valor da emissão de vibração declarado foi medido de acordo com o método de teste padrão e pode ser utilizado para comparar uma ferramenta com outra.
- O valor da emissão de vibração declarado pode também ser utilizado numa avaliação preliminar de exposição.

⚠ AVISO:

- A emissão de vibração durante a utilização real da ferramenta eléctrica pode ser diferente do valor de emissão declarado, dependendo da forma como a ferramenta é utilizada.
- Certifique-se de que identifica medidas de segurança, para proteger o operador, que são baseadas numa estimativa de exposição nas condições reais de utilização (tendo em conta todas as partes do ciclo de funcionamento, como as vezes que a ferramenta é desligada e quando está a trabalhar ao ralenti, além do tempo de utilização).

Apenas para os países europeus ENH101-16

Declaração de conformidade CE

A Makita Corporation, na qualidade do fabricante responsável, declara que a(s) máquina(s) Makita seguinte(s):

Designação da máquina:

Cortador de metal sem fios

N.º de modelo/Tipo: DCS550

são de produção em série e

estão em conformidade com as Directivas Europeias seguintes:

2006/42/EC

E são fabricadas de acordo com as normas ou os documentos padronizados seguintes:

EN60745

A documentação técnica é mantida por:

Makita International Europe Ltd.

Technical Department,

Michigan Drive, Tongwell,

Milton Keynes, Bucks MK15 8JD, Inglaterra

30. 1. 2009



Tomoyasu Kato

Director

Makita Corporation

3-11-8, Sumiyoshi-cho,

Anjo, Aichi, 446-8502, JAPAN

DANSK (Originalvejledning)

Forklaring til generel oversigt

- | | | |
|--------------------|----------------------|--------------------------------|
| 1. Rød indikator | 10. Låsehåndtag | 19. Forreste greb |
| 2. Knap | 11. Lampe | 20. Bageste håndtag |
| 3. Batteripakke | 12. Skaftlås | 21. Indstillingsrille |
| 4. Stjernemærkning | 13. Unbrakonøgle | 22. Tilspændingsskrue |
| 5. Håndtag | 14. Sekskantskrue | 23. Parallelanslag (styrepind) |
| 6. A-position | 15. Udvendig flange | 24. Slidgrænse |
| 7. Skærelinje | 16. Savklinge | 25. Kulholderdæksel |
| 8. Basis | 17. Indvendig flange | 26. Skruetrækker |
| 9. Kontaktgreb | 18. Kopskive | |

SPECIFIKATIONER


Model	DCS550
Klangediameter	136 mm
Maks. skæredybde	51 mm
Hastighed uden belastning (min ⁻¹)	3.600
Længde i alt	348 mm
Nettovægt	2,6 kg
Nominel spænding	18 V DC

- På grund af vores løbende forsknings- og udviklingsprogram kan specifikationerne heri ændres uden forudgående varsel.
- Specifikationerne og batteripakken kan variere fra land til land.
- Vægt, inklusive batteripakken, i henhold til EPTA-Procedure 01/2003

Tilsigtet brug ENE066-1

Værktøjet er kun tilsigtet til brug til skæring i blødt stål og aluminium med de relevante savklingen.

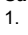
Generelle sikkerhedsadvarsler for maskiner GEA010-1

 **ADVARSEL** Læs alle sikkerhedsadvarsler og alle instruktioner. Hvis De ikke følger alle advarsler og instruktioner, kan det medføre elektrisk stød, brand og/eller alvorlig personskade.

Gem alle advarsler og instruktioner til senere reference.

SIKKERHEDSADVARSLER FOR LEDNINGSFRIT METALSKÆREVÆRKTØJ GEB058-3

Saveprocedurer

1.  **FARE:** Hold hænderne på afstand af skæreamrådet og klingens. Hold den anden hånd på det ekstra håndtag eller på motorhuset. Hvis begge hænder holdes på værktøjet, kan de ikke blive skåret af klingens.
2. **Ræk ikke ind under arbejdsemnet.** Klingebeskytteren kan ikke beskytte dig mod klingens under arbejdsemnet.
3. **Juster skæredybden efter arbejdsemnets tykkelse.** Der skal være mindre end en hel tand af klingetænderne synlig under arbejdsemnet.
4. **Hold ikke det arbejdsemne, der skæres i, i hænderne eller hen over benet. Fastgør**

arbejdsemnet til en stabil platform. Det er vigtigt at støtte arbejdsemnet korrekt for at minimere risiko for personskade, binding af klingens eller tab af kontrol.

5. **Hold kun maskinen i de isolerede gribeblader, når du udfører arbejde, hvor skæreværktøjet kan komme i kontakt med skjulte ledninger.** Kontakt med en strømførende ledning gør også udsatte metaldele på maskinen strømførende, hvorved operatøren muligvis kan få elektrisk stød.
6. **Ved flæksavning skal der altid benyttes et parallelanslag eller en lige kantstøtte.** Derved bliver snittet mere nøjagtigt, og risikoen for, at klingens binder, reduceres.
7. **Brug altid klinger med den korrekte størrelse og form (diamant versus rund) af akselhuller.** Klinger, der ikke modsvarer værktøjets monteringsdele, roterer skævt, og du kan miste kontrollen.
8. **Brug aldrig beskadede eller forkerte spændeskiver eller bolte til klingens.** Spændeskiverne og boltene til værktøjet er specielt udviklet til saven med henblik på optimal ydelse og driftssikkerhed.

Årsager til tilbageslag og relaterede advarsler

- Tilbageslag er en pludselig reaktion på en fastklemt, låst eller forkert justeret klinge, som kan medføre, at et ukontrolleret værktøj løftes opad og ud af arbejdsemnet i retning mod operatøren.
- Når klingens kommer i klemme eller sidder fast, fordi savsnittet lukkes sammen, stopper klingens, og motorreaktionen støder apparatet hurtigt tilbage mod operatøren.
- Hvis klingens bliver vredet eller sidder skævt i snittet, kan tænderne bag på klingens skære sig ned i

arbejdsemnets øverste overflade, så klingens løftes ud af savsnittet og springer tilbage mod operatøren.

Tilbageslag skyldes forkert brug af værktøjet og/eller forkerte betjeningsprocedurer eller betingelser og kan undgås ved at træffe de nødvendige forsigtighedsregler som beskrevet nedenfor.

9. **Hold godt fast i værktøjet med begge hænder, og placer armene, så de kan modstå tilbageslag. Placer kroppen på siden af klingens, ikke på linje med klingens.** Tilbageslag kan få værktøjet til at springe tilbage, men tilbageslagskræfterne kan kontrolleres af operatøren, hvis de korrekte forholdsregler tages.
10. **Når klingens binder, eller når et snit afbrydes af andre årsager, skal du slippe kontaktpunktet og holde værktøjet stille, indtil klingens står helt stille. Forsøg aldrig at tage værktøjet ud af arbejdsemnet eller at trække værktøjet baglæns, mens klingens bevæger sig, da dette kan medføre tilbageslag.** Se efter og tag modforholdsregler imod årsager til, at klingens binder.
11. **Når værktøjet startes igen i arbejdsemnet, skal du centrere klingens i snitfladen og sikre dig, at tænderne ikke sidder fast i emnet.** Hvis klingens binder, kan den bevæge sig opad eller slå tilbage fra arbejdsemnet, når værktøjet startes igen.
12. **Understøt store paneler for at reducere risikoen for, at klingens klemmes fast og forårsager tilbageslag.** Store paneler har tendens til at bøje under deres egen vægt. Der skal placeres støtter under panelet i begge sider, i nærheden af skæringslinjen og nær panelets kanter.
13. **Undgå at bruge uskarpe eller beskadigede klinger.** Uskarpe eller forkert monterede klinger giver smalle skæresnit, der forårsager ekstra friktion, fastklemning af klingens og tilbageslag.
14. **Låsehåndtagene til klingedybde og skråsnitsvinkel skal sidde stramt og sikkert, før du starter.** Hvis klingens flytter sig under skæringen, kan klingens binde og forårsage tilbageslag.
15. **Vær ekstra forsigtig, når du foretager et "indstiksnit" i eksisterende vægge eller andre områder, du ikke kan se.** Den udstikkende klingens kan skære i genstande, som kan forårsage tilbageslag. Hvis du vil foretage dybdesnit, skal du trække den nederste klingebeskytter tilbage ved hjælp af tilbagetrækningshåndtaget.

Funktion af nederste klingebeskytter

16. **Kontroller, at den nederste klingebeskytter er lukket, hver gang værktøjet skal bruges. Anvend ikke værktøjet, hvis den nederste klingebeskytter ikke bevæger sig frit og lukkes med det samme. Fastlås eller bind aldrig den nederste klingebeskytter i den åbne stilling.** Hvis du tager værktøjet, kan den nederste klingebeskytter blive bøjet. Løft den nederste klingebeskytter med tilbagetrækningshåndtaget, og sørg for, at den bevæger sig frit og ikke berører klingens eller andre dele, uanset skæringsvinkel og -dybde.
17. **Kontroller funktionen og beskaffenheden af fjederen på den nederste klingebeskytter. Hvis klingebeskytteren og fjederen ikke fungerer korrekt, skal de repareres, før savens anvendes.** Den nederste klingebeskytter kan fungere dårligt på

grund af beskadigede dele, fastsiddende gummi eller ophobning af snavs.

18. **Den nederste klingebeskytter må kun trækkes tilbage manuelt i forbindelse med særlige snit, f.eks. "indstiksnit" og "kombinerede snit". Løft den nederste klingebeskytter ved hjælp af tilbagetrækningshåndtaget, og slip den nederste klingebeskytter, så snart klingens sidder i materialet.** Til al anden skæring skal den nederste klingebeskytter fungere automatisk.
19. **Se altid efter, om den nederste klingebeskytter dækker klingens, før værktøjet stilles på arbejdsbænken eller gulvet.** En ubeskyttet klingens fri bevægelse vil få værktøjet til at bevæge sig baglæns, mens den skærer i alt, hvad den kommer i kontakt med. Vær opmærksom på den tid, det tager for klingens at stoppe, efter at kontakten slippes.
20. **For at kontrollere den nederste klingebeskytter skal du åbne klingebeskytteren manuelt og derefter frigive beskytteren og kontrollere, at den lukkes. Kontroller også, at tilbagetrækningshåndtaget ikke berører værktøjshuset.** Det er MEGET FARLIGT at lade klingens være blottet og kan medføre alvorlig personskade.

Yderligere sikkerhedsadvarsler

21. **Stop ikke klingernes ved at trykke på siden af klingens.**
22. **FARE:**
Undgå at fjerne afskåret materiale, så længe klingens bevæger sig.
FORSIGTIG: Klingernes bevæger sig et stykke tid efter, at der slukkes.
23. **Sæt den brede del af værktøjets basis mod den del af arbejdsemnet, der er understøttet solidt, ikke mod den del, der falder af, når snittet er færdigt.**
24. **Forsøg aldrig at lave et snit med værktøjet fastspændt med bunden i vejret i en skruestik. Dette er ekstremt farligt og kan medføre alvorlige uheld.**
25. **Bær sikkerhedsbriller og høreværn under betjening.**
26. **Anvend altid de klinger, der anbefales i denne brugsanvisning. Anvend ikke nogen former for slibeskiver.**

GEM DISSE INSTRUKTIONER.

⚠ ADVARSEL:

LAD IKKE tryghed eller kendskab til produktet (fra gentagen brug) føre til, at du ikke strengt overholder sikkerhedsreglerne for det gældende produkt. MISBRUG eller manglende overholdelse af sikkerhedsreglerne i denne brugsanvisning kan medføre alvorlig personskade.

VIGTIGE SIKKERHEDSINSTRUKTIONER

ENC007-8

FOR BATTERIPAKKEN

1. **Før brugen af batteripakken skal du læse alle instruktioner og advarsler på (1) batteriopladeren,**

- (2) batteriet og (3) det produkt, som batteriet anvendes i.
2. **Skil ikke batteripakken ad.**
3. **Hvis driftstiden bliver betydeligt kortere, skal du straks ophøre med brugen. Brug kan medføre risiko for overophedning, risiko for forbrændinger eller endog eksplosion.**
4. **Hvis du får elektrolyt i øjnene, skal du med det samme rense øjnene med rent vand og søge læge. Dette kan medføre tab af synet.**
5. **Kortslut ikke batteripakken:**
 - (1) **Undgå at røre ved terminalerne med ledende materiale.**
 - (2) **Undgå at opbevare batteripakken i en beholder med andre metalgenstande som f.eks. søm, mønter osv.**
 - (3) **Udsæt ikke batteripakken for vand eller regn. Hvis batteriet kortsluttes, kan det medføre voldsom strøm, overophedning, mulige forbrændinger og endog nedbrud.**
6. **Undgå at opbevare værktøjet og batteripakken på steder, hvor temperaturen kan komme op på eller overstige 50°C.**
7. **Sæt ikke ild til batteripakken, selvom den er alvorligt beskadiget eller helt udtjent. Batteripakken kan eksplodere ved brand.**
8. **Undgå at tabe eller slå på batteriet.**
9. **Undlad brug af et beskadiget batteri.**
10. **Følg de lokale bestemmelser med hensyn til bortskaffelse af batteri.**

GEM DISSE INSTRUKTIONER.

Tips til, hvordan du forlænger batteriets levetid

1. **Oplad batteripakken, før den bliver helt afladet. Ophør med at bruge værktøjet, og udskift batteripakken, hvis strømmen til værktøjet aftager.**
2. **Oplad aldrig en fuldt opladet batteripakke. Overopladning forkorter batteriets levetid.**
3. **Oplad batteripakken ved stuetemperatur på 10°C - 40°C. Lad batteripakken køle ned før den oplades, hvis den er varm.**
4. **Oplad batteripakken en gang hver sjette måned, hvis du ikke bruger det i lang tid.**

FUNKTIONSBESKRIVELSE

FORSIGTIG:

- Sørg altid for, at værktøjet er slukket, og at batteripakken er taget ud, før De justerer værktøjet eller kontrollerer dets funktion.

Montering eller afmontering af batteripakken (Fig. 1)

⚠️ FORSIGTIG:

- Sluk altid for værktøjet inden montering eller afmontering af batteripakken.
- **Hold godt fast i værktøjet og batteripakken, når du monterer eller afmonterer batteripakken.** Hvis maskinen og batteripakken ikke holdes ordentligt fast, kan de glide ud af hænderne og resultere i skader på maskinen og batteripakken samt personskade.

Afmonter batteripakken ved at holde ned på knappen foran på batteripakken og skubbe den af værktøjet. Ved montering af batteripakken justeres tungen på batteripakken med rillen i huset, hvorefter pakken skubbes på plads. Sæt den hele vejen ind, indtil den låses på plads med et lille klik. Hvis den røde indikator øverst på knappen er synlig, er batteripakken ikke låst helt fast.

⚠️ FORSIGTIG:

- Sæt altid batteripakken helt ind, indtil den røde indikator ikke længere er synlig. Ellers kan den falde ud af værktøjet og skade dig eller andre personer i nærheden.
- Anvend ikke kræfter ved monteringen af batteripakken. Hvis den ikke glider let ind, er den ikke indsat korrekt.

Batteribeskyttelsessystem (lithium-ion-batteri med stjernemærkning) (Fig. 2)

Lithium-ion-batterier med en stjernemærkning er udstyret med et beskyttelsessystem. Dette system slukker automatisk for strømmen til maskinen for at forlænge batterilevetiden.

Maskinen stopper automatisk under anvendelsen, hvis maskinen og/eller batteriet udsættes for en af de følgende situationer:

- **Overbelastning:**
Maskinen anvendes på en sådan måde, at det får den til at bruge unormalt meget strøm.
I denne situation skal du slippe kontaktgrebet på maskinen og stoppe den anvendelse, som gjorde maskinen overbelastet. Tryk derefter ind på kontaktgrebet for starte igen.
Hvis maskinen ikke starter, er batteriet overbelastet. I denne situation skal du lade batteriet køle af, inden du trykker ind på kontaktgrebet igen.
- **Lav batterispænding:**
Den resterende batterikapacitet er for lav, og maskinen kan ikke køre. I denne situation skal du afmontere og oplade batteriet.

Indstilling af skæredybde (Fig. 3)

FORSIGTIG:

- Skru låsearmen godt fast, når skæredybden er indstillet.

Løsn låsearmen på siden af de bageste håndtag, og flyt basis op eller ned. Fastgør basis ved at stramme låsearmen ved den ønskede skæredybde. De opstår renere og sikrere snit ved at indstille skæredybden, så der ikke stikker mere end én klingetand ud under arbejdsområdet. Anvendelse af den korrekte skæredybde hjælper med at reducere risikoen for farlige TILBAGESLAG, som kan forårsage personskade.

Indstilling (Fig. 4)

Under skæring skal A-positionen foran på basen justeres i forhold til skærelinjen på arbejdsområdet.

Betjening af kontakt (Fig. 5)

FORSIGTIG:

- **gh**Før batteripakken sættes i værktøjet, skal De altid kontrollere, at kontaktgrebet reagerer korrekt og vender tilbage i "OFF"-stillingen, når De slipper det.
- Træk ikke hårdt i kontaktgrebet uden at trykke på låsehåndtaget. Dette kan ødelægge kontakten.

Et låsehåndtag forhindrer, at kontaktgrebet trækkes op ved et uheld. Værktøjet startes ved at trykke låsehåndtaget ind og trække i kontaktgrebet. Slip kontaktgrebet for at stoppe.

ADVARSEL:

- Af hensyn til Deres sikkerhed er værktøjet forsynet med et låsehåndtag, der forhindrer, at værktøjet starter ved et uheld. Brug ALDRIG værktøjet, hvis det kører, når De trækker i kontaktgrebet uden at trykke på låsehåndtaget. Indlever værktøjet til et MAKITA-servicecenter til reparation, FØR det benyttes igen.
- De må ALDRIG fastgøre låsehåndtaget med tape eller omgå dets funktion.

Tænding af lampen (Fig. 6)

FORSIGTIG:

- Se ikke direkte ind i lyset eller lyskilden. Hvis kun lyset skal tændes, skal der trækkes i kontaktgrebet uden at trykke på låsehåndtaget. Hvis lyset skal tændes og værktøjet startes, skal De trykke på låsehåndtaget og trække kontaktgrebet, mens der trykkes på låsehåndtaget.

BEMÆRK:

- Benyt en vatpind til at tørre snavs af lampens linse. Pas på ikke at ridse lampens linse, da det kan mindske lysstyrken.
- Brug ikke benzin, fortynder eller lignende til at rengøre lampens linse. Sådanne stoffer beskadiger linsen.

MONTERING

FORSIGTIG:

- Sørg altid for, at værktøjet er slukket, og at batteripakken er taget ud, før De udfører nogen form for arbejde på værktøjet.

Aftagning eller montering af klinge (Fig. 7)

FORSIGTIG:

- Sørg for, at klingen er monteret, så tænderne peger opad foran på værktøjet.
- Anvend kun den medfølgende Makita-skruenøgle til at montere eller afmontere klingens.

For at afmontere klingens skal De trykke på skaftlåsen, så klingens ikke kan dreje, og anvende skruenøglen til at løsne sekskantmøtrikken i urets retning. Fjern derefter sekskantmøtrikken, den udvendige flange og klingens. Følg fremgangsmåden til afmontering i omvendt rækkefølge for at montere klingens. **SØRG FOR AT SPÆNDE SEKSKANTMØTRIKKEN FAST TIL MOD URET. (Fig. 8)**

Ved skift af klinger skal De sørge for også at fjerne opsamlende spåner og partikler fra den øverste og nederste klingebeskytter. De skal dog stadig kontrollere den nederste klingebeskytters funktion, hver gang værktøjet skal anvendes.

Opbevaring af unbrakonøgle (Fig. 9)

Opbevar unbrakonøglen som vist i figuren, når den ikke anvendes, for at forhindre, at den bliver væk.

BETJENING

FORSIGTIG:

- Sæt altid batteripakken helt ind, indtil den låses på plads. Hvis den røde del øverst på knappen er synlig, er batteripakken ikke låst helt fast. Sæt den helt ind, indtil den røde del ikke er synlig. Ellers kan den falde ud af værktøjet og skade Dem eller andre personer i nærheden.
- Sørg for at flytte værktøjet lige fremad uden at bruge magt. Hvis værktøjet tvinges eller vrides, kan det medføre overophedning af motoren og farligt tilbageslag, som kan føre til alvorlig personskade.
- Hvis værktøjet betjenes konstant, indtil batteripakken er afladet, skal De lade værktøjet hvile i 15 minutter, før De fortsætter med et nyt batteri.
- Drej aldrig værktøjet eller tving det i snitfladen. Dette kan medføre overbelastning af motoren og/eller et farligt tilbageslag, hvilket kan forårsage, at operatøren lider alvorlig personskade.
- Bær øjenbeskyttelse eller sikkerhedsbriller før brug. (Fig. 10)

Hold godt fast i værktøjet. Værktøjet har både et greb foran og et håndtag bagpå. Hold værktøjet med begge hænder. Hvis begge hænder holder på værktøjet, kan de ikke blive skåret af klingens. Placer basen på det arbejdsemne, der skal skæres i, uden at klingens berører arbejdsemnet. Tænd derefter for værktøjet, og vent, indtil klingens når fuld hastighed. Flyt værktøjet fremad hen over arbejdsemnet, idet værktøjet holdes fladt og flyttes jævnt frem, indtil skæringen er færdig.

De opnår rene snit ved at holde skærelinjen lige og flytte værktøjet med jævn hastighed. Forsøg ikke at dreje eller tvinge værktøjet tilbage til skæringslinjen, hvis snittet ikke følger den ønskede skæringslinje. Hvis De gør dette, kan klingens komme i klemme, hvilket kan medføre farligt tilbageslag med risiko for alvorlig personskade. Slip kontakten, vent, til klingens er stoppet, og tag derefter værktøjet ud. Juster værktøjet med den nye skæringslinje, og start skæringen igen. Søg ikke at stille Dem, så De bliver udsat for spåner og partikler, der udstødes fra værktøjet. Bær øjenbeskyttelse for at undgå personskade.

Kontrolrillerne i basen gør det nemt at kontrollere afstanden mellem klingens forreste kant og arbejdsemnet, når klingens er indstilling maksimal skæredybde. (Fig. 11)

FORSIGTIG:

- Brug ikke en deformeret eller revnet klinge. Udskift den med en ny.
- Ståb ikke materialer oven på hinanden, når der skal skæres i dem.
- Skær ikke i hærdet stål, træ, plastik, beton, rustfrit stål, tegl osv. **Skær kun i blødt stål og aluminium.**
- Berør ikke klingens, arbejdsemnet eller spånerne med din bare hånd lige efter skæring. De kan være meget varme og kan forårsage forbrændinger af huden.
- **Brug altid de rigtige klinger til opgaven.** Brug af forkerte klinger kan forårsage et dårligt skæresultat og/eller udgøre en risiko for personskade.

Parallellanslag (styrepind) (tilbehør) (Fig. 12)

Med det praktiske parallellanslag kan De udføre ekstremt præcise lige skæringer. Skub parallellanslaget mod siden

af arbejdsemnet, og fastgør det med skruen forrest på værktøjets basis. Det gør det også muligt at foretage flere skæringer med ens bredde.

VEDLIGEHODELSE

FORSIGTIG:

- Sørg altid for, at værktøjet er slukket, og at batteripakken er taget ud, før De forsøger at udføre inspektion eller vedligeholdelse.
- Brug aldrig benzin, benzen, fortynder, alkohol eller lignende. Det kan muligvis medføre misfarvning, deformation eller revner.

Undersøgelse af klinge

- Eftersø altid klingens omhyggeligt for revner eller beskadigelse både før og efter brug. Udskift øjeblikkeligt revnede eller beskadigede klinger.
- Fortsat brug af en sløv klinge kan forårsage et farligt tilbageslag og/eller overbelastning af motoren. Monter en ny klinge, så snart den gamle ikke længere skærer effektivt.
- **Klinger til metalskæreværktøj kan ikke gøres skarpe igen.**

Udskiftning af kulbørster (Fig. 13)

Tag regelmæssigt kulbørsterne af, og eftersø dem. Udskift dem, når de er nedslidte til slidgrænsen. Hold kulbørsterne rene og frie til at glide i holderne. Begge kulbørster skal udskiftes samtidig. Brug altid identiske kulbørster.

Brug en skruetrækker til at fjerne kulholderdækslerne. Tag de udslidte kulbørster ud, monter de nye, og fastgør kulholderdækslerne. (Fig. 14)

For at holde produktet SIKKERT og PÅLIDELIGT skal reparationer samt al anden vedligeholdelse eller justering udføres af autoriserede Makita-servicecentre, og der skal altid benyttes Makita-reservedele.

EKSTRAUDSTYR

⚠ FORSIGTIG:

- Dette tilbehør eller ekstraudstyr anbefales til brug med det Makita-værktøj, som er beskrevet i denne brugsanvisning. Brug af andet tilbehør eller ekstraudstyr kan forårsage personskade. Brug kun tilbehør eller ekstraudstyr til det formål, det er beregnet til.

Henvend dig til dit lokale Makita-servicecenter, hvis du har brug for hjælp eller yderligere oplysninger vedrørende tilbehøret.

- Karbidforstærkede spidser
- Parallellanslag (styrepind)
- Tommelskrue M5 x 20
- Slagfjeder 6
- Unbrakonøgle 5
- Sikkerhedsbriller
- Originalt batteri og oplader fra Makita

BEMÆRK:

- Visse dele på listen er muligvis indeholdt maskinindpakningen som standardtilbehør. De kan variere fra land til land.

Støj

ENG905-1

Det typiske A-vægtede lydtrykniveau bestemmes i overensstemmelse med EN60745:

Lydtrykniveau (L_{pA}): 78 dB (A)

Usikkerhed (K): 3 dB (A)

Støjniveauet under arbejdet kan være større end 80 dB (A).

Bær høreværn.

Vibration

ENG900-1

Den samlede vibrationsværdi (treaksiel vektorsum)

bestemt i overensstemmelse med EN60745:

Arbejdstilstand: skæring i metal

Vibrationsemission ($a_{r,M}$): 2,5 m/s²

Usikkerhed (K): 1,5 m/s²

ENG901-1

- Den opgivne vibrationsemissionsværdi er målt i overensstemmelse med standardtestmetoden og kan bruges til at sammenligne et værktøj med et andet.
- Den opgivne vibrationsemissionsværdi kan muligvis også bruges til en indledende eksponeringsvurdering.

⚠ ADVARSEL:

- Vibrationsemissionen under den faktiske brug af maskinen kan afvige fra den opgivne emissionsværdi afhængigt af den måde, maskinen anvendes på.
- Sørg for at bestemme sikkerhedsforanstaltninger for beskyttelse af operatøren, som er baseret på en eksponeringsvurdering for brug under faktiske forhold (hvor alle anvendelsescyklussens dele inddrages, som f.eks. antal gange maskinen slukkes, og når den kører i tomgang ud over trigger tiden).

Kun for europæiske lande

ENH101-16

EF-overensstemmelseserklæring

Vi, Makita Corporation, erklærer som ansvarlig producent at følgende Makita-maskine(r):

Maskinens betegnelse:

Ledningsfrit metalskæreværktøj

Modelnummer/ type: DCS550

er en produktionsserie og

Overholder følgende europæiske direktiver:

2006/42/EF

Op produceret i overensstemmelse med følgende standarder eller standardiserede dokumenter:

EN60745

Den tekniske dokumentation findes hos:

Makita International Europe Ltd.

Technical Department,

Michigan Drive, Tongwell,

Milton Keynes, Bucks MK15 8JD, England

30. 1. 2009



Tomoyasu Kato
Direktør

Makita Corporation
3-11-8, Sumiyoshi-cho,
Anjo, Aichi, 446-8502, JAPAN

ΕΛΛΗΝΙΚΑ (Πρωτογενείς οδηγίες)

Περιγραφή γενικής όψης

- | | | |
|-----------------------|------------------------|---------------------------------------|
| 1. Κόκκινη ένδειξη | 10. Μοχλός ασφάλισης | 19. Μπροστινή λαβή |
| 2. Κουμπί | 11. Λάμπα | 20. Πίσω λαβή |
| 3. Μπαταρία | 12. Κλείδωμα άξονα | 21. Εγκοπές παραθυριού |
| 4. Ένδειξη άστρου | 13. Εξαγωνικό άλεν | 22. Βίδα σύσφιξης |
| 5. Μοχλός | 14. Εξαγωνικό μπουλόνι | 23. Οδηγός κομματιού (Οδηγός χάρακας) |
| 6. Θέση Α | 15. Εξωτερική φλάντζα | 24. Ένδειξη ορίου |
| 7. Γραμμή κοπής | 16. Δίσκος | 25. Καπάκι υποδοχής για το καρβουνάκι |
| 8. Βάση | 17. Εσωτερική φλάντζα | 26. Κατσαβίδι |
| 9. Σκανδάλη-διακόπτης | 18. Ροδέλα | |

ΤΕΧΝΙΚΑ ΧΑΡΑΚΤΗΡΙΣΤΙΚΑ

Μοντέλο	DCS550
Διάμετρος δίσκου	136 mm
Μέγιστο βάθος κοπής	51 mm
Ταχύτητα χωρίς φορτίο (min ⁻¹)	3.600
Ολικό μήκος	348 mm
Καθαρό βάρος	2,6 kg
Ονομαστική τάση	D.C. 18 V

- Λόγω του συνεχόμενου προγράμματος που εφαρμόζουμε για έρευνα και ανάπτυξη, τα τεχνικά χαρακτηριστικά στο παρόν έντυπο υπόκεινται σε αλλαγή χωρίς προειδοποίηση.
- Τα τεχνικά χαρακτηριστικά και η μπαταρία ενδέχεται να διαφέρουν από χώρα σε χώρα.
- Βάρος μαζί με την μπαταρία σύμφωνα με τη διαδικασία της ΕΡΤΑ 01/2003

Προοριζόμενη χρήση

ENE066-1

Το εργαλείο προορίζεται για την κοπή μαλακού χάλυβα και αλουμινίου μόνο με τη χρήση κατάλληλων δίσκων.

Γενικές Προειδοποιήσεις Ασφαλείας Του Ηλεκτρικού Εργαλείου

GEA010-1

⚠ ΠΡΟΕΙΔΟΠΟΙΗΣΗ Διαβάστε όλες τις προειδοποιήσεις ασφαλείας και όλες τις οδηγίες. Αν δεν ακολουθήσετε όλες τις προειδοποιήσεις και τις οδηγίες, υπάρχει κίνδυνος ηλεκτροπληξίας, πυρκαγιάς ή/και σοβαρού τραυματισμού.

Φυλάξτε όλες τις προειδοποιήσεις και τις οδηγίες για μελλοντική αναφορά.

ΠΡΟΕΙΔΟΠΟΙΗΣΕΙΣ ΑΣΦΑΛΕΙΑΣ ΤΟΥ ΚΟΠΤΗ ΜΕΤΑΛΛΟΥ ΜΠΑΤΑΡΙΑΣ

GEB058-3

Διαδικασίες κοπής

1. **⚠ ΚΙΝΔΥΝΟΣ:** Να κρατάτε τα χέρια σας μακριά από την περιοχή κοπής και το δίσκο. Να κρατάτε με το άλλο σας χέρι τη βοηθητική λαβή ή το περίβλημα του μοτέρ. Αν κρατάτε το εργαλείο και με τα δύο χέρια, δεν είναι δυνατό να κοπούν από το δίσκο.

2. **Μην πιάνετε από κάτω το τεμάχιο εργασίας.** Το προστατευτικό δεν σας παρέχει προστασία από το δίσκο κάτω από το τεμάχιο εργασίας.
3. **Ρυθμίστε το βάθος κοπής ανάλογα με το πάχος του τεμαχίου εργασίας.** Δεν θα πρέπει να είναι ορατά ολόκληρα τα δόντια του δίσκου κάτω από το τεμάχιο εργασίας.
4. **Μην κρατάτε ποτέ το τεμάχιο εργασίας στα χέρια σας και μην το τοποθετείτε επάνω στο πόδι σας. Ασφαλίστε το τεμάχιο εργασίας σε μια σταθερή βάση.** Είναι σημαντικό να στηρίζεται σωστά το τεμάχιο που πρόκειται να κοπεί για να ελαχιστοποιείται η έκθεση του σώματος, η παρεμπόδιση της κίνησης του δίσκου ή η απώλεια ελέγχου.
5. **Να κρατάτε το ηλεκτρικό εργαλείο μόνο από τις μονωμένες λαβές όταν εκτελείτε εργασίες κατά τις οποίες το κοπτικό εργαλείο μπορεί να έρθει σε επαφή με κρυμμένα καλώδια.** Αν υπάρξει επαφή με κάποιο ηλεκτροφόρο καλώδιο, τα εκτεθειμένα μεταλλικά μέρη του ηλεκτρικού εργαλείου θα γίνουν κι αυτά ηλεκτροφόρα και μπορεί να προκληθεί ηλεκτροπληξία στο χειριστή.
6. **Όταν τεμαχίζετε, να χρησιμοποιείτε πάντα οδηγό κομματιού ή άλλο οδηγό με ευθύγραμμη ακμή.** Έτσι, βελτιώνεται η ακρίβεια της κοπής και μειώνεται η πιθανότητα να παρεμποδιστεί η κίνηση του δίσκου.
7. **Να χρησιμοποιείτε πάντα δίσκους με το σωστό μέγεθος και και το σωστό σχήμα (σχήμα διαμαντιού έναντι στρογγυλού σχήματος) όπως στερέωσης.** Οι δίσκοι που δεν ταιριάζουν με τον εξοπλισμό στερέωσης του εργαλείου θα λειτουργούν ιδιόρρυθμα, προκαλώντας την απώλεια του ελέγχου.

8. **Μη χρησιμοποιείτε ποτέ στο δίσκο ροδέλες ή μπουλόνια που είναι φθαρμένα ή έχουν λάθος μέγεθος.** Οι ροδέλες και τα μπουλόνια του δίσκου είναι ειδικά σχεδιασμένα για το εργαλείο που διαθέτετε, ώστε να παρέχουν βέλτιστη απόδοση και ασφάλεια λειτουργίας.

Αιτίες κλοστήματος και σχετικές προειδοποιήσεις

- το κλότσημα είναι μια ξαφνική αντίδραση όταν ο δίσκος σφηνώνεται, μπλοκάρει ή δεν έχει σωστή ευθυγράμμιση, και προκαλεί την ανεξέλεγκτη ανύψωση του εργαλείου έξω από το τεμάχιο εργασίας και προς τη μεριά του χειριστή.
- όταν ο δίσκος είναι μπλοκαρισμένος ή σφηνωμένος σφιστά από την εγκοπή, ακινητοποιείται και η αντίδραση του μοτέρ οδηγεί το εργαλείο με ταχύτητα προς τα πίσω και προς τη μεριά του χειριστή.
- αν ο δίσκος παραμορφωθεί ή ευθυγραμμιστεί λάθος κατά το κόψιμο, τα δόντια στο πίσω μέρος του δίσκου μπορεί να σκάσουν μέσα στην επάνω επιφάνεια και έτσι ο δίσκος να βγει από την εγκοπή και να αναπηδήσει προς τη μεριά του χειριστή.

Το κλότσημα προκαλείται όταν το εργαλείο χρησιμοποιείται λανθασμένα ή/και όταν οι διαδικασίες ή οι συνθήκες λειτουργίας είναι λανθασμένες και μπορεί να αποφευχθεί αν ληφθούν οι κατάλληλες προφυλάξεις που αναφέρονται παρακάτω.

9. **Να κρατάτε το εργαλείο γερά και με τα δύο χέρια και να τοποθετείτε τους βραχιόνες σας με τρόπο ώστε να αντιστέκονται στη δύναμη του κλοστήματος. Να τοποθετείτε το σώμα σας πλευρικά του δίσκου, αλλά όχι στην ίδια ευθεία με το δίσκο.** Το κλότσημα μπορεί να προκαλέσει την αναπήδηση του εργαλείου προς τα πίσω, αλλά ο χειριστής μπορεί να ελέγξει τις δυνάμεις του κλοστήματος αν λάβει τις κατάλληλες προφυλάξεις.
10. **Όταν εμποδίζεται η κίνηση του δίσκου ή όταν διακόπτεται το κόψιμο για οποιοδήποτε λόγο, αφήστε τη σκανδάλη και κρατήστε ακίνητο το εργαλείο μέσα στο υλικό έως ότου ακινητοποιηθεί ο δίσκος. Μη δοκιμάσετε ποτέ να βγάλετε το εργαλείο από το κομμάτι εργασίας ούτε να το τραβήξετε προς τα πίσω όταν ο δίσκος κινείται, επειδή το εργαλείο μπορεί να κλοστήσει.** Διερευνήστε την αιτία για την οποία παρεμποδίζεται η κίνηση του δίσκου και λάβετε διορθωτικά μέτρα.
11. **Όταν ξεκινάτε ξανά ένα εργαλείο εντός του τεμαχίου εργασίας, κεντράρετε το δίσκο στην εγκοπή και ελέγξτε ότι τα δόντια του δίσκου δεν έχουν πισωθεί μέσα στο υλικό.** Αν εμποδίζεται η κίνηση του δίσκου, το εργαλείο μπορεί να αναπηδήσει από το τεμάχιο εργασίας ή να κλοστήσει όταν το θέσετε ξανά σε λειτουργία.
12. **Πρέπει να στηρίζετε κατάλληλα τα μεγάλα φύλλα προς κοπή για να ελαχιστοποιείτε τον κίνδυνο παρεμπόδισης της κίνησης του δίσκου, αλλά και του κλοστήματος.** Τα μεγάλα φύλλα τείνουν να βαθουλώνουν από το ίδιο τους το βάρος. Πρέπει να τοποθετείτε στηρίγματα κάτω από τα φύλλα και στις δύο πλευρές, κοντά στη γραμμή κοπής και κοντά στην άκρη του φύλλου.
13. **Μη χρησιμοποιείτε δίσκους που δεν είναι κοφτεροί ή που είναι κατεστραμμένοι.** Οι δίσκοι που δεν είναι κοφτεροί ή που δεν έχουν ρυθμιστεί σωστά δημιουργούν στενές εγκοπές και προκαλούν

μεγάλη τριβή, εμπόδιση της κίνησης του δίσκου και κλότσημα.

14. **Οι μοχλοί ασφάλισης του βάθους του δίσκου και της ρύθμισης της λοξοτομής πρέπει να είναι σφινόμενοι και ασφαλισμένοι πριν από την κοπή.** Αν η ρύθμιση του δίσκου μετακινήσει κατά το πριόνισμα, μπορεί να εμποδίσει ή κινήσει το δίσκο να να προκληθεί κλότσημα.
15. **Να είστε ιδιαίτερα προσεκτικοί όταν εκτελείτε “τυφλές” κοπές σε τοίχους ή άλλες περιοχές για τις οποίες δεν γνωρίζετε τι κρύβουν στο εσωτερικό τους.** Εάν ο δίσκος προσέξει, μπορεί να κόψει αντικείμενα που θα προκαλέσουν το κλότσημά του. Για τυφλές κοπές, μαζέψτε το κάτω προστατευτικό με τη βοήθεια της ανασυρόμενης λαβής.

Λειτουργία κάτω προστατευτικού

16. **Ελέγξτε αν το κάτω προστατευτικό κλείνει σωστά πριν από κάθε χρήση. Μη θέτετε σε λειτουργία το εργαλείο αν το κάτω προστατευτικό δεν κινείται ελεύθερα και δεν κλείνει αμέσως. Μη συγκρατείτε και μη δένετε ποτέ το κάτω προστατευτικό στην ανοιχτή θέση.** Αν το εργαλείο πέσει κατά λάθος, το κάτω προστατευτικό μπορεί να λυγίσει. Σηκώστε το κάτω προστατευτικό με τη βοήθεια του ανασυρόμενου μοχλού και βεβαιωθείτε ότι κινείται ελεύθερα και δεν ακουμπά το δίσκο ή κάποιο άλλο μέρος, σε όλες τις γωνίες και βάθος κοπής.
17. **Ελέγξτε τη λειτουργία και την κατάσταση του ελατηρίου του κάτω προστατευτικού. Αν το προστατευτικό και το ελατήριο δεν λειτουργούν σωστά, πρέπει να επισκευαστούν πριν από τη χρήση.** Το κάτω προστατευτικό μπορεί να λειτουργεί με αργό ρυθμό αν υπάρχουν κατεστραμμένα μέρη, αποθεμάτα κόλλας ή συσσώρευση ακαθαρσιών.
18. **Να συμπίπτει το κάτω προστατευτικό με το χέρι μόνο για ειδικά κοψίματα, όπως “τυφλές” και “σύνθετες κοπές”.** Ανεβάστε το κάτω προστατευτικό με τη βοήθεια της ανασυρόμενης λαβής και μόλις ο δίσκος εισέλθει στο υλικό, αφήστε το κάτω προστατευτικό. Για κάθε άλλη εργασία πριόνισματος, το κάτω προστατευτικό πρέπει να λειτουργεί αυτόματα.
19. **Να παρατηρείτε πάντα ότι το κάτω προστατευτικό καλύπτει το δίσκο πριν τοποθετήσετε το εργαλείο σε πάγκο ή στο πάτωμα.** Αν ο δίσκος δεν προστατεύεται και κινείται ελεύθερα, το εργαλείο θα κινηθεί ανάποδα, κόβοντας ότι βρεθεί στο δρόμο του. Λάβετε υπόψη σας το χρόνο που χρειάζεται ο δίσκος να ακινητοποιηθεί αφότου αφήσετε το διακόπτη.
20. **Για να ελέγξετε το κάτω προστατευτικό, ανοίξτε το κάτω προστατευτικό με το χέρι και κατόπιν αφήστε το και στη συνέχεια παρατηρήστε εάν κλείνει. Επίσης, βεβαιωθείτε ότι δεν ακουμπάει η ανασυρόμενη λαβή στο σώμα του εργαλείου.** Είναι ΠΟΛΥ ΕΠΙΚΙΝΔΥΝΟ το να αφήνετε το δίσκο εκτεθειμένο και αυτό μπορεί να οδηγήσει σε σοβαρό τραυματισμό.

Επιπρόσθετες προειδοποιήσεις ασφαλείας

21. **Μη σταματάτε τους δίσκους με πλευρική πίεση στο δίσκο.**
22. **ΚΙΝΔΥΝΟΣ:**
Μην επιχειρήσετε να μετακινήσετε το υλικό κοπής

ενώ ο δίσκος κινείται.

ΠΡΟΣΟΧΗ: Ο δίσκος εξακολουθεί να περιστρέφεται μετά το σβήσιμο.

23. Τοποθετήστε το πλατύτερο τμήμα της βάσης του εργαλείου σε εκείνο το τμήμα του τεμαχίου εργασιών που στηρίζεται σταθερά, και όχι στο τμήμα εκείνο που θα πέσει όταν θα εκτελεστεί η κοπή.
24. Ποτέ μη δοκιμάσετε να κόψετε με το εργαλείο στερεωμένο ανάποδα σε μια μέγερνη. Αυτό είναι εξαιρετικά επικίνδυνο και μπορεί να οδηγήσει σε σοβαρά ατυχήματα.
25. Να φοράτε προστατευτικά γυαλιά και ωτοασπίδες κατά τη λειτουργία.
26. Να χρησιμοποιείτε πάντοτε δίσκους που συνιστώνται στο παρόν εγχειρίδιο. Μη χρησιμοποιείτε οποιοδήποτε λειαντικό δίσκο.

ΦΥΛΑΞΤΕ ΑΥΤΕΣ ΤΙΣ ΟΔΗΓΙΕΣ.

ΠΡΟΕΙΔΟΠΟΙΗΣΗ:

ΜΗΝ επιτρέψετε στη βολικότητα ή στην εξοικείωσή σας με το προϊόν (που αποκτήθηκε από επανειλημμένη χρήση) να αντικαταστήσει την αυστηρή προσήλωση στους κανόνες ασφαλείας του εν λόγω προϊόντος. Η ΛΑΝΘΑΣΜΕΝΗ ΧΡΗΣΗ ή η μη τήρηση των κανόνων ασφαλείας που διατυπώνονται στο παρόν εγχειρίδιο οδηγιών μπορεί να προκαλέσει σοβαρό τραυματισμό.

ΣΗΜΑΝΤΙΚΕΣ ΟΔΗΓΙΕΣ ΑΣΦΑΛΕΙΑΣ

ENC007-8

ΓΙΑ ΤΗΝ ΜΠΑΤΑΡΙΑ

1. Πριν χρησιμοποιήσετε την μπαταρία, διαβάστε όλες τις οδηγίες και τις ενδείξεις προφύλαξης στο (1) φορτιστή μπαταρίας, (2) την μπαταρία και (3) το προϊόν στο οποίο χρησιμοποιείται η μπαταρία.
2. Μην αποσυναρμολογείτε την μπαταρία.
3. Αν ο χρόνος λειτουργίας της μπαταρίας είναι υπερβολικά σύντομος, διακόψτε αμέσως τη λειτουργία. Αν συνεχίσετε, μπορεί να έχει ως αποτέλεσμα τον κίνδυνο υπερθέρμανσης, πιθανών εγκαυμάτων και ακόμη έκρηξης.
4. Αν μπει στα μάτια σας ηλεκτρολύτης, ξεπλύνετε με καθαρό νερό και αναζητήστε αμέσως ιατρική βοήθεια. Μπορεί να χάσετε την όρασή σας.
5. Μη βραχυκυκλώνετε την μπαταρία:
 - (1) Μην αγγίζετε τους ακροδέκτες με αγώγιμο υλικό.
 - (2) Μην αποθηκεύετε την μπαταρία σε δοχείο με άλλα μεταλλικά αντικείμενα, όπως καρφιά, νομίσματα, κτλ.
 - (3) Μην εκθέτετε την μπαταρία σε νερό ή βροχή. Αν βραχυκυκλωθεί η μπαταρία, μπορεί να προκληθεί μεγάλη ροή ηλεκτρικού ρεύματος, υπερθέρμανση, πιθανά εγκαυματα και ακόμη και καταστροφή της μπαταρίας.
6. Μην αποθηκεύετε το εργαλείο και την μπαταρία σε μέρη όπου η θερμοκρασία μπορεί να φτάσει ή να ξεπεράσει τους 50°C (122°F).
7. Μην αποπερφώνετε την μπαταρία ακόμη κι αν παρουσιάζει σοβαρή ζημιά ή είναι εντελώς

φθαρμένη. Η μπαταρία μπορεί να εκραγεί σε φωτιά.

8. Να προσέχετε να μη σας πέσει η μπαταρία και να μη συγκρουστεί με κάποιο αντικείμενο.
9. Μη χρησιμοποιείτε μια μπαταρία που έχει υποστεί βλάβη.
10. Ακολουθήστε τους τοπικούς κανονισμούς σχετικά με την απόρριψη της μπαταρίας.

ΦΥΛΑΞΤΕ ΑΥΤΕΣ ΤΙΣ ΟΔΗΓΙΕΣ.

Συμβουλές για τη διατήρηση της μέγιστης ζωής της μπαταρίας

1. Να φορτίζετε την μπαταρία πριν αποφορτιστεί εντελώς. Πάντοτε να διακόπτετε τη λειτουργία του εργαλείου και να φορτίζετε την μπαταρία όταν παρατηρείται μειωμένη ισχύ του εργαλείου.
2. Ποτέ μην επαναφορτίζετε μια πλήρως φορτισμένη μπαταρία. Αν υπερφορτίσετε την μπαταρία, μειώνεται η ωφέλιμη διάρκεια ζωής της.
3. Να φορτίζετε την μπαταρία σε θερμοκρασία δωματίου, δηλαδή στους 10°C έως 40°C (50°F έως 104°F). Αν η μπαταρία είναι θερμή, αφήστε την να ψυχθεί πριν τη φορτίσετε.
4. Να φορτίζετε την κασέτα μπαταρία μια φορά κάθε έξι μήνες όταν δεν τη χρησιμοποιείτε για μεγάλο χρονικό διάστημα.

ΠΕΡΙΓΡΑΦΗ ΛΕΙΤΟΥΡΓΙΑΣ

ΠΡΟΣΟΧΗ:

- Να βεβαιώσετε πάντοτε ότι έχετε σβήσει το εργαλείο και έχετε βγάλει την μπαταρία πριν ρυθμίσετε ή ελέγξετε κάποια λειτουργία του εργαλείου.

Τοποθέτηση ή αφαίρεση της μπαταρίας (Εικ. 1)

ΠΡΟΣΟΧΗ:

- Πάντοτε να απενεργοποιείτε το εργαλείο πριν από την τοποθέτηση ή την αφαίρεση της κασέτας μπαταρίας.
- Κρατήστε το εργαλείο και την κασέτα μπαταρίας γερά κατά την τοποθέτηση ή την αφαίρεση της κασέτας μπαταρίας. Εάν δεν κρατήσετε το εργαλείο και την μπαταρία καλά μπορεί να γλιστρήσουν από τα χέρια σας και να προκληθεί ζημιά στο εργαλείο και στη μπαταρία αλλά και προσωπικούς τραυματισμούς.

Για να βγάλετε την κασέτα μπαταρίας, σύρετε την από το εργαλείο ολισθαίνοντας το κουμπί στο μπροστινό μέρος της κασέτας.

Για να τοποθετήσετε την κασέτα μπαταρίας, ευθυγραμμίστε τη γλωττίδα της κασέτας μπαταρίας με την εγκοπή στο περίβλημα και ολισθήστε τη στη θέση της. Τοποθετήστε τη έως το τέρμα, δηλαδή έως ότου ασφαλίσει στη θέση και ακουστεί ένας χαρακτηριστικός ήχος “κλικ”. Αν μπορείτε να δείτε την κόκκινη ένδειξη στην πάνω πλευρά του κουμπιού, η μπαταρία δεν είναι πλήρως ασφαλισμένη.

ΠΡΟΣΟΧΗ:

- Πάντοτε να τοποθετείτε πλήρως την κασέτα μπαταρίας για να μη φαίνεται η κόκκινη ένδειξη. Σε αντίθετη περίπτωση, μπορεί να πέσει κατά λάθος από το

εργαλείο και να τραυματίσει εσάς ή κάποιον παρευρισκόμενο.

- Μην εισάγετε με τη βία την κασέτα μπαταρίας. Αν η κασέτα δεν ολισθαίνει με ευκολία, δεν την εισαγάγετε σωστά.

Σύστημα προστασίας μπαταρίας (Μπαταρία ιόντων λιθίου με την ένδειξη άστρου) (Εικ. 2)

Οι μπαταρίες ιόντων λιθίου με ένδειξη άστρου είναι εφοδιασμένες με ένα σύστημα προστασίας. Αυτό το σύστημα διακόπτει αυτόματα το ρεύμα στο εργαλείο για να παρατείνεται η διάρκεια ζωής της μπαταρίας. Το εργαλείο θα σταματήσει αυτόματα κατά τη λειτουργία όταν το εργαλείο και/ή η μπαταρία υποστούν τις παρακάτω συνθήκες.

- Υπερφόρτιση:

Το εργαλείο λειτουργεί με τρόπο που προκαλεί την κατανάλωση ασυνήθιστα υψηλής ποσότητας ρεύματος.

Στην περίπτωση αυτή, ελευθερώστε σκανδάλη-διακόπτης του εργαλείου και σταματήστε την εφαρμογή που προκάλεσε την υπερφόρτωση του εργαλείου. Στη συνέχεια, τραβήξτε τη σκανδάλη-διακόπτης ξανά για επανεκκίνηση.

Εάν το εργαλείο δεν ξεκινά, η μπαταρία έχει υπερθερμανθεί. Στην περίπτωση αυτή, αφήστε την μπαταρία να κρυώσει πριν τραβήξετε τη σκανδάλη-διακόπτης ξανά.

- Χαμηλή τάση της μπαταρίας:
Η εναπομείνουσα ποσότητα ρεύματος της μπαταρίας είναι πολύ χαμηλή και το εργαλείο δεν θα λειτουργήσει. Σε αυτήν την περίπτωση, αφαιρέστε και επαναφορτίστε τη μπαταρία.

Ρύθμιση του βάθους κοπής (Εικ. 3)

ΠΡΟΣΟΧΗ:

- Μετά τη ρύθμιση του βάθους κοπής, πάντοτε να σφίγγετε καλά το μοχλό.

Χαλαρώστε το μοχλό στην πλευρά της πίσω λαβής και μετακινήστε τη βάση προς τα πάνω ή προς τα κάτω. Στο επιθυμητό βάθος κοπής, ασφαλίστε τη βάση σφίγγοντας το μοχλό.

Για καλύτερο και ασφαλέστερο κόψιμο, ρυθμίστε το βάθος κοπής ώστε μόνο ένα δόντι του δίσκου να προεξέχει κάτω από το τεμάχιο εργασίας. Η χρήση κατάλληλου βάθους κοπής συμβάλλει στη μείωση της πιθανότητας επικινδύνου ΚΛΟΤΣΗΜΑΤΟΣ που μπορεί να προκαλέσουν τραυματισμό.

Επίβλεψη (Εικ. 4)

Όταν κόβετε, ευθυγραμμίστε τη θέση Α στο μπροστινό μέρος της βάσης με τη γραμμή κοπής στο τεμάχιο εργασίας.

Δράση διακόπτη (Εικ. 5)

ΠΡΟΣΟΧΗ:

- Πριν βάζετε την μπαταρία στο εργαλείο, πάντοτε να ελέγχετε ότι η σκανδάλη-διακόπτης ενεργοποιείται κανονικά και επιστρέφει στη θέση OFF όταν την αφήνετε.
- Μην τραβάτε τη σκανδάλη-διακόπτη με βία χωρίς να πατάτε το μοχλό ασφάλισης. Θα σπάσει ο διακόπτης.

Για να μην πιέζεται η σκανδάλη-διακόπτης κατά λάθος, παρέχεται ένας μοχλός ασφάλισης. Για να ξεκινήσετε τη λειτουργία του εργαλείου, πιέστε το μοχλό ασφάλισης και πατήστε τη σκανδάλη-διακόπτη.

Για να σταματήσετε το εργαλείο, αφήστε τη σκανδάλη-διακόπτη.

ΠΡΟΕΙΔΟΠΟΙΗΣΗ:

- Για την ασφάλεια σας, το εργαλείο αυτό παρέχεται με μοχλό ασφάλισης το οποίο αποτρέπει την εκκίνηση του εργαλείου κατά λάθος. Μη χρησιμοποιείτε ΠΟΤΕ το εργαλείο αν μπορείτε να το θέσετε σε λειτουργία πιέζοντας απλά τη σκανδάλη-διακόπτη, χωρίς να τραβάτε και το μοχλό ασφάλισης. Στείλτε το εργαλείο σε κέντρο εξυπηρέτησης της MAKITA για να το επισκευάσουν σωστά ΠΡΙΝ το χρησιμοποιήσετε ξανά.
- ΠΟΤΕ μην κολλάτε το μοχλό ασφάλισης στην πατημένη θέση του και ΠΟΤΕ μην παρακάμπτετε το σκοπό του μοχλού ασφάλισης.

Άναμμα λάμπας (Εικ. 6)

ΠΡΟΣΟΧΗ:

- Μην κοιτάτε κατευθείαν μέσα στο φως ή στην πηγή φωτός.

Για να ανάψετε μόνο το φως, τραβήξτε τη σκανδάλη χωρίς να πατάτε το μοχλό ασφάλισης. Για να ανάψετε το φως και να θέσετε το εργαλείο σε λειτουργία, πατήστε το μοχλό ασφάλισης και τραβήξτε τη σκανδάλη-διακόπτη με το μοχλό ασφάλισης πατημένο.

ΠΑΡΑΤΗΡΗΣΗ:

- Χρησιμοποιήστε μια μπατονέτα για να σκουπίσετε τη σκόνη από το φακό της λάμπας. Προσέχετε να μη γρατσουνίσετε το φακό της λάμπας, επειδή μπορεί να μειωθεί η ένταση του φωτισμού.
- Μη χρησιμοποιείτε βενζίνη, νέφτι ή παρόμοια υλικά για να καθαρίσετε το φακό της λάμπας. Αν χρησιμοποιήσετε τέτοιες ουσίες, θα καταστρέψετε το φακό.

ΣΥΝΑΡΜΟΛΟΓΗΣΗ

ΠΡΟΣΟΧΗ:

- Να βεβαιώνετε πάντοτε ότι έχετε σβήσει το εργαλείο και έχετε βγάλει την μπαταρία πριν εκτελέσετε οποιαδήποτε εργασία σε αυτό.

Αφαίρεση ή τοποθέτηση δίσκου (Εικ. 7)

ΠΡΟΣΟΧΗ:

- Βεβαιωθείτε ότι ο δίσκος είναι τοποθετημένος με τα δόντια στραμμένα προς τα πάνω στο μπροστινό μέρος του εργαλείου.
- Να χρησιμοποιείτε μόνο το παρεχόμενο κλειδί της Makita για να τοποθετήσετε ή για να αφαιρέσετε το δίσκο.

Για να αφαιρέσετε το δίσκο, πιέστε το κλειδίωμα άξονα ώστε να μην μπορεί να περιστραφεί ο δίσκος και χρησιμοποιήστε το κλειδί για να χαλαρώσετε το εξαγωνικό μπουλόνι γυρίζοντάς το αριστερόστροφα. Κατόπιν, αφαιρέστε το εξαγωνικό μπουλόνι, την εξωτερική φλάντζα και το δίσκο.

Για να τοποθετήσετε το δίσκο, ακολουθήστε τη διαδικασία αφαίρεσης με αντίστροφη σειρά. ΒΕΒΑΙΩΘΕΙΤΕ ΝΑ ΣΦΙΞΕΤΕ ΚΑΛΑ ΤΟ ΕΞΑΓΩΝΙΚΟ ΜΠΟΥΛΟΝΙ ΓΥΡΙΖΟΝΤΑΣ ΤΟ ΔΕΞΙΟΣΤΡΟΦΑ. (Εικ. 8)

Όταν αλλάζετε δίσκους, βεβαιωθείτε να καθαρίσετε επίσης το πάνω και κάτω προστατευτικό δίσκου από συσσωρευμένο θραύσματα και σωματίδια. Ωστόσο, οι ενέργειες αυτές δεν αντικαθιστούν την ανάγκη να ελέγχετε τη λειτουργία του κάτω προστατευτικό πριν από κάθε χρήση.

Αποθήκευση εξαγωνικού άλεν (Εικ. 9)

Όταν δεν χρησιμοποιείτε το εξαγωνικό άλεν, αποθηκεύστε το, όπως απεικονίζεται, για να μην το χάσετε.

ΛΕΙΤΟΥΡΓΙΑ

ΠΡΟΣΟΧΗ:

- Να εισάγετε πάντοτε την μπαταρία έως το τέρμα, μέχρι να ασφαλίσει στη θέση της. Αν φαίνεται το κόκκινο τμήμα στην άνω πλευρά του κουμπιού, η μπαταρία δεν είναι πλήρως ασφαλισμένη. Εισάγετέ την πλήρως για να μη φαίνεται το κόκκινο τμήμα. Σε αντίθετη περίπτωση, μπορεί να πέσει κατά λάθος από το εργαλείο και να τραυματίσει εσάς ή κάποιον παρευρισκόμενο.
- Βεβαιωθείτε να μετακινείτε ομαλά το εργαλείο προς τα μπροστά σε ευθεία γραμμή. Αν πιέσετε ή συστρέψετε το εργαλείο, θα έχει ως αποτέλεσμα την υπερθέρμανση του μοτέρ και επικίνδυνο κλότσημα, που πιθανώς να προκαλέσει σοβαρό τραυματισμό.
- Αν το εργαλείο λειτουργεί συνεχόμενα έως ότου αποφορτιστεί η μπαταρία, αφήστε το εργαλείο σβηστό για 15 λεπτά πριν συνεχίσετε την εργασία με καινούργια μπαταρία.
- Μη συστρέψετε ή εξαναγκάζετε ποτέ το εργαλείο στην κοπή. Αυτό μπορεί να προκαλέσει την υπερφόρτωση του μοτέρ ή/και επικίνδυνο κλότσημα, έχοντας ως αποτέλεσμα το σοβαρό τραυματισμό του χειριστή.
- Να φοράτε πάντα προστασία ματιών ή προστατευτικά γυαλιά πριν από τη λειτουργία. (Εικ. 10)

Να κρατάτε το εργαλείο σταθερά. Το εργαλείο παρέχεται με μπροστινή και πίσω λαβή. Να χρησιμοποιείτε και τις δύο λαβές για να έχετε καλύτερο κράτημα του εργαλείου.

Αν κρατάτε το εργαλείο και με τα δύο χέρια, δεν είναι δυνατό να κοπούν από το δίσκο. Θέστε τη βάση στο τεμάχιο εργασίας που πρόκειται να κοπεί χωρίς ο δίσκος να ακουμπήσει καθόλου. Κατόπιν, ανάψτε το εργαλείο και περιμένετε έως ότου ο δίσκος να αποκτήσει την πλήρη ταχύτητα του. Τώρα, απλά μετακινήστε το εργαλείο προς τα εμπρός επάνω στην επιφάνεια του τεμαχίου εργασίας, κρατώντας το επίπεδο και προωθώντας το ομαλά μέχρι να ολοκληρωθεί η κοπή.

Για να πετύχετε καθαρές κοπές, κρατήστε τη γραμμή κοπής ευθεία και την ταχύτητα προώθησης σταθερή. Αν το κόψιμο δεν ακολουθήσει σωστά την προοριζόμενη γραμμή κοπής, μην επιχειρήσετε να γυρίσετε ή να πιέσετε το εργαλείο ξανά στη γραμμή κοπής. Μπορεί να προκαλέσει το πιάσιμο του δίσκου και να οδηγήσει σε επικίνδυνο κλότσημα και πιθανώς σοβαρό τραυματισμό. Αφήστε το διακόπτη, περιμένετε να ακινητοποιηθεί ο δίσκος και κατόπιν αποσυρете το εργαλείο. Ευθυγραμμίστε ξανά το εργαλείο σε καινούργια γραμμή κοπής και ξεκινήστε ξανά το κόψιμο. Προσπαθήστε να αποφύγετε μια θέση που αφήνει εκτεθειμένο το χειριστή σε θραύσματα και σωματίδια που εκτοξεύονται από το εργαλείο. Χρησιμοποιήστε προστασία ματιών για την αποφυγή τραυματισμού.

Οι εγκοπές παραθυριού στη βάση καθιστούν εύκολο τον έλεγχο της απόστασης μεταξύ του μπροστινού άκρου του δίσκου και του τεμαχίου εργασίας κάθε φορά που ρυθμίζετε το δίσκο για το μέγιστο βάθος κοπής. (Εικ. 11)

ΠΡΟΣΟΧΗ:

- Μη χρησιμοποιείτε παραμορφωμένο ή κατεστραμμένο δίσκο. Αντικαταστήστε το με ένα καινούργιο.
- Μη στοιβάζετε υλικά όταν τα κόβετε.
- Μην κόβετε σκληρό ασάλι, ανοξείδωτο ασάλι, ξύλο, πλαστικά, τσιμέντο, πλακάκια, κτλ. **Να κόβετε μόνο μαλακό χάλυβα και αλουμίνιο.**
- Μην αγγίζετε το δίσκο, το τεμάχιο εργασίας ή τα θραύσματα κοπής με γυμνά χέρια αμέσως μετά την κοπή επειδή μπορεί να είναι εξαιρετικά θερμά και να προκληθεί έγκαυμα στο δέρμα σας.
- **Να χρησιμοποιείτε τους κατάλληλους δίσκους, ανάλογα με την εργασία σας.** Η χρήση ακατάλληλων δίσκων μπορεί να προκαλέσει κακή απόδοση κοπής ή/και τον κίνδυνο προσωπικού τραυματισμού.

Οδηγός κομματιού (οδηγός χάρακας) (αξσουάρ) (Εικ. 12)

Ο πρακτικός οδηγός κομματιού σας επιτρέπει να κάνετε ευθείες κοπές με μεγάλη ακρίβεια. Απλά ολισθήστε τον οδηγό κομματιού εφαρμοστά επάνω στη πλευρά του τεμαχίου εργασίας και ασφαλίστε τον στην κατάλληλη θέση με τη βίδα στο μπροστινό μέρος της βάσης. Αυτό κάνει επίσης δυνατή την επαναλαμβανόμενη και ομοιόμορφη κοπή κομματιών ίδιου πλάτους.

ΣΥΝΤΗΡΗΣΗ

ΠΡΟΣΟΧΗ:

- Να βεβαιώνετε πάντοτε ότι έχετε σβήσει το εργαλείο και έχετε βγάλει την μπαταρία πριν εκτελέσετε οποιαδήποτε εργασία ελέγχου ή συντήρησης σε αυτό.
- Μην χρησιμοποιήσετε βενζίνη, βενζόλη, διαλυτικό, αλκοόλη ή κάτι παρόμοιο. Μπορεί να προκαλέσει αποχρωματισμός, παραμόρφωση ή ρωγμές.

Έλεγχος δίσκου

- Να ελέγχετε προσεκτικά το δίσκο για ραγίσματα ή ζημιά πριν και μετά από κάθε χρήση. Να αντικαθιστάτε αμέσως ραγισμένο ή κατεστραμμένο δίσκο.
- Εάν συνεχίζετε να χρησιμοποιείτε αμβλύ δίσκο μπορεί να προκληθεί επικίνδυνο κλότσημα ή/και υπερφόρτωση μοτέρ. Αντικαταστήστε με έναν καινούργιο δίσκο μόλις ο παλιός δεν κόβει πλέον αποτελεσματικά.
- **Οι δίσκοι για μεταλλικούς κόπτες δεν ακονίζονται.**

Αλλαγή καρβουνακίων (Εικ. 13)

Να αφαιρείτε και να ελέγχετε τακτικά τα καρβουνάκια. Να αντικαθιστάτε τα καρβουνάκια όταν έχουν φθαρεί έως την ένδειξη οριού. Να διατηρείτε τα καρβουνάκια καθαρά και ελεύθερα για να γλιστρούν στις υποδοχές. Πρέπει να αλλάζετε ταυτόχρονα και τα δύο καρβουνάκια. Να χρησιμοποιείτε μόνο καρβουνάκια ίδιου τύπου. Με τη βοήθεια ενός κατασαβιδιού, βγάλτε τα καπάκια της υποδοχής για τα καρβουνάκια. Βγάλτε τα φθαρμένα καρβουνάκια, τοποθετήστε τα καινούργια και ασφαλίστε τα καπάκια της υποδοχής για τα καρβουνάκια. (Εικ. 14)

Για να διατηρείται η ΑΣΦΑΛΕΙΑ και η ΑΞΙΟΠΙΣΤΙΑ του προϊόντος, οι εργασίες επισκευής, καθώς και οποιαδήποτε άλλη εργασία συντήρησης ή ρύθμισης, θα πρέπει να εκτελούνται σε εξουσιοδοτημένα κέντρα εξυπηρέτησης της Makita, και πάντοτε με τη χρήση ανταλλακτικών της Makita.

ΠΡΟΑΙΡΕΤΙΚΑ ΑΞΕΣΟΥΑΡ

ΠΡΟΣΟΧΗ:

- Συνιστάται η χρήση αυτών των αξεσουάρ ή εξαρτημάτων με το εργαλείο της Makita, όπως περιγράφεται στο παρόν εγχειρίδιο. Αν χρησιμοποιήσετε άλλα αξεσουάρ ή εξαρτήματα μπορεί να παρουσιαστεί κίνδυνος για πρόκληση τραυματισμού προσώπων. Να χρησιμοποιείτε τα αξεσουάρ και τα εξαρτήματα μόνο για το σκοπό για τον οποίο προορίζονται.

Αν χρειάζεστε κάποια βοήθεια ή περισσότερες πληροφορίες σχετικά με τα αξεσουάρ αυτά, απευθυνθείτε στο πλησιέστερο κέντρο εξυπηρέτησης της Makita.

- Δίσκοι με μύτες καρβιδίου
- Οδηγός κομματιού (Οδηγός χάρακας)
- Βίδα χειρός M5 x 20
- Ελατήριο συμπίεσης 6
- Εξαγωνικό άλεν 5
- Γυαλιά προστασίας
- Αυθεντική μπαταρία και φορτιστής της Makita

ΣΗΜΕΙΩΣΗ:

- Ορισμένα από τα στοιχεία της λίστα μπορεί να περιέχονται στην συσκευασία του εργαλείου ως κανονικά αξεσουάρ. Αυτά ενδέχεται να διαφέρουν από χώρα σε χώρα.

Θόρυβος

ENG905-1

Το σύνθετος σταθμισμένο επίπεδο θορύβου που έχει καθοριστεί σύμφωνα με την EN60745:

Επίπεδο ηχητικής πίεσης (L_{pA}): 78 dB (A)

Αβεβαιότητα (K): 3 dB (A)

Το επίπεδο θορύβου κατά τη λειτουργία ενδέχεται να υπερβεί τα 80 dB (A).

Να φοράτε ωτοασπίδες.

Κραδασμοί

ENG900-1

Η συνολική τιμή κραδασμών (άθροισμα τριαξονικού διανύσματος) που έχει καθοριστεί σύμφωνα με την EN60745:

Κατάσταση λειτουργίας: κοπή μετάλλου

Εκπομπή δόνησης ($a_{h,M}$): 2,5 m/s²

Αβεβαιότητα (K): 1,5 m/s²

ENG901-1

- Η δηλωθείσα τιμή των παραγομένων κραδασμών έχει καταμετρηθεί σύμφωνα με την τυποποιημένη μέθοδο δοκιμασίας και μπορεί να χρησιμοποιηθεί για την σύγκριση ενός εργαλείου με ένα άλλο.
- Η δηλωθείσα τιμή των παραγομένων κραδασμών μπορεί επίσης να χρησιμοποιηθεί για μια προκαταρκτική αξιολόγηση της έκθεσης στους κραδασμούς.

ΠΡΟΕΙΔΟΠΟΙΗΣΗ:

- Η εκπομπή κραδασμών κατά τη διάρκεια της πραγματικής χρήσης του ηλεκτρικού εργαλείου μπορεί να διαφέρει από τη δηλωθείσα τιμή των εκπομπών, ανάλογα με τον τρόπο με τον οποίο χρησιμοποιείται το εργαλείο.

- Φροντίστε να λάβετε τα μέτρα ασφαλείας που απαιτούνται για την προστασία του χρήστη που βασίζονται σε μια εκτίμηση της έκθεσης σε πραγματικές συνθήκες χρήσης (λαμβάνοντας υπόψη όλα τα μέρη του κύκλου λειτουργίας, όπως είναι οι περιπτώσεις κατά τις οποίες το εργαλείο είναι απενεργοποιημένο και όταν λειτουργεί στο ρελαντί επιπρόσθετως του χρόνου κατά τον οποίο το εργαλείο βρισκείται σε χρήση).

Για Ευρωπαϊκές χώρες μόνο

ENH101-16

EK – Δήλωση συμμόρφωσης

Η Εταιρία Makita ως υπεύθυνος κατασκευαστής, δηλώνει ότι το παρακάτω μηχάνημα ή μηχανήματα της Makita:

Όνομασία Μηχανήματος:

Κόφτης μετάλλων με μπαταρία

Αρ. Μοντέλου/ Τύπος: DCS550

αποτελούν παραγωγή σε σειρά και

Συμμορφώνονται με τις ακόλουθες Ευρωπαϊκές Οδηγίες:

2006/42/EK

Και κατασκευάζονται σύμφωνα με τα παρακάτω πρότυπα ή τυποποιημένα έγγραφα:

EN60745

Τα τεχνικά έγγραφα διατηρούνται από το:

Makita International Europe Ltd.

Technical Department,

Michigan Drive, Tongwell,

Milton Keynes, Bucks MK15 8JD, England

30. 1. 2009



Tomoyasu Kato

Διευθυντής

Makita Corporation

3-11-8, Sumiyoshi-cho,

Anjo, Aichi, 446-8502, JAPAN

Makita Corporation
Anjo, Aichi, Japan

www.makita.com

885282-990

ALA