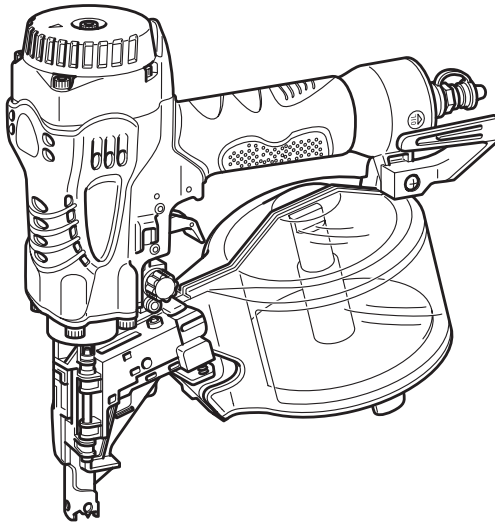
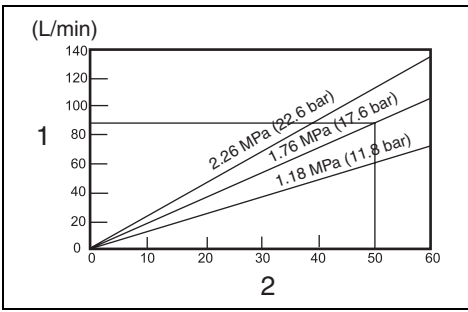




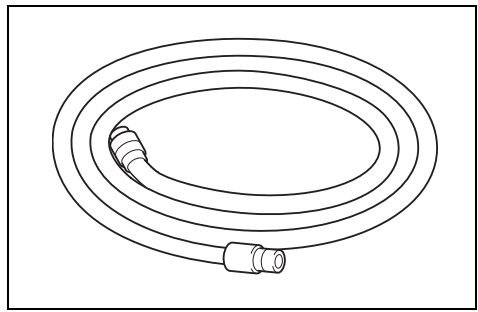
GB	Construction Nailer	Instruction Manual
F	Cloueuse pour travaux de construction	Manuel d'instructions
D	Baunagler	Betriebsanleitung
I	Chiodatrice a bobina	Istruzioni per l'uso
NL	Nagelpistool voor bouwwerk	Gebruiksaanwijzing
E	Clavadora de clavos para la construcción	Manual de instrucciones
P	Pregador para construção	Manual de instruções
DK	Konstruktionssømpistol	Brugsanvisning
GR	Οικοδομικός καρφωτήρας	Οδηγίες χρήσεως

AN610H

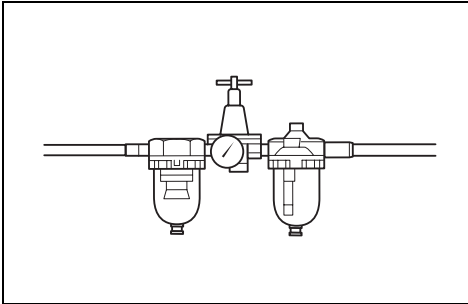




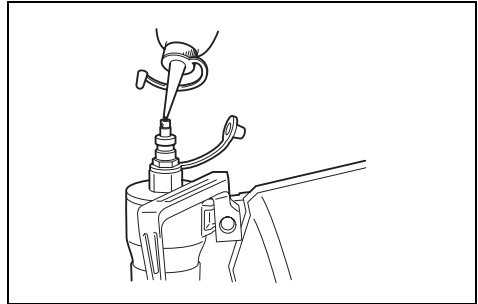
1



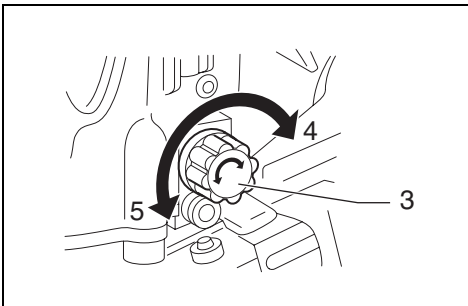
2



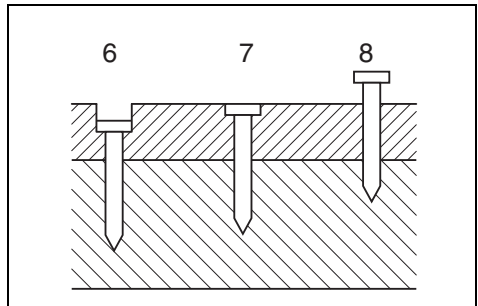
3



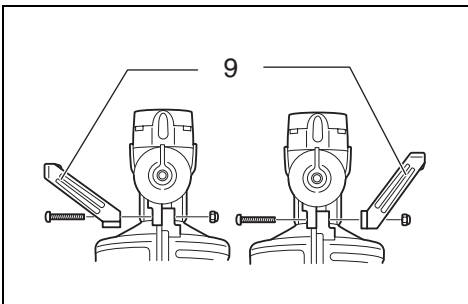
4



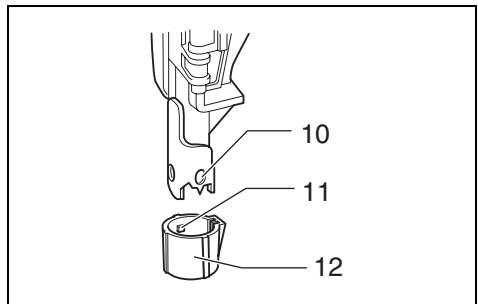
5



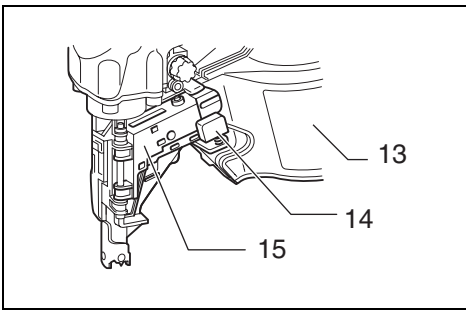
6



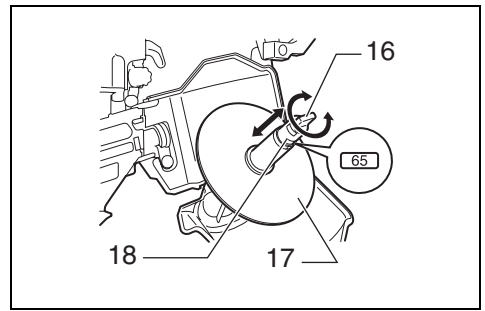
7



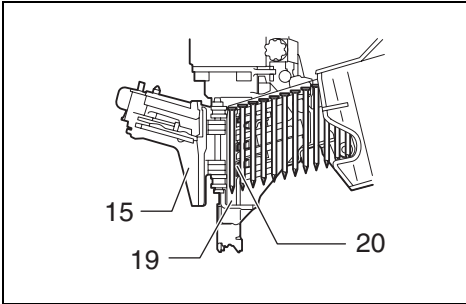
8



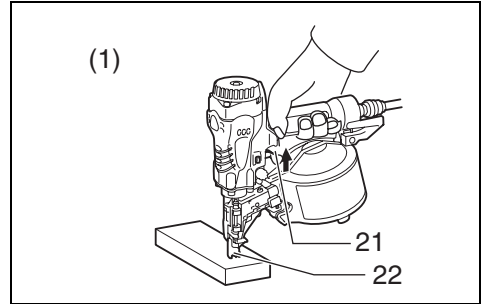
9



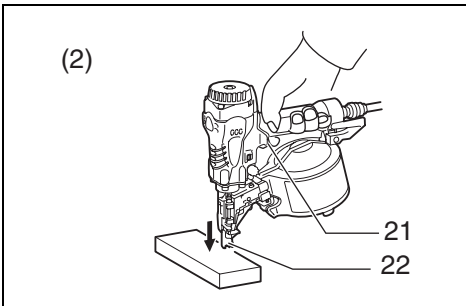
10



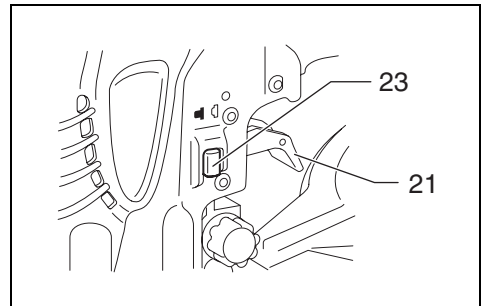
11



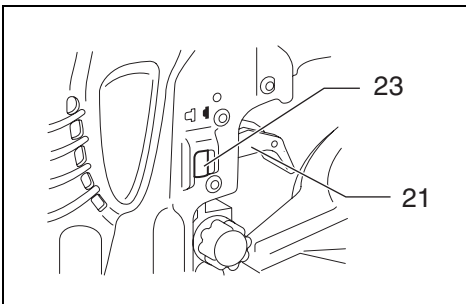
12



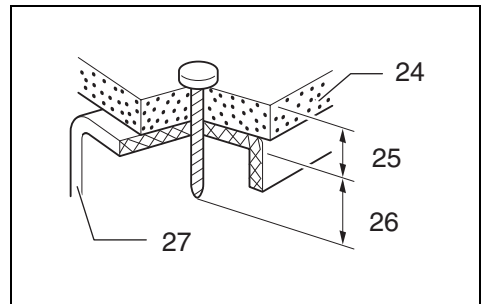
13



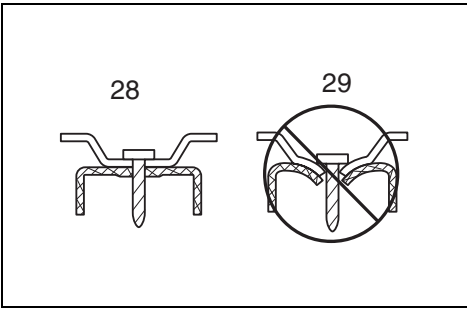
14



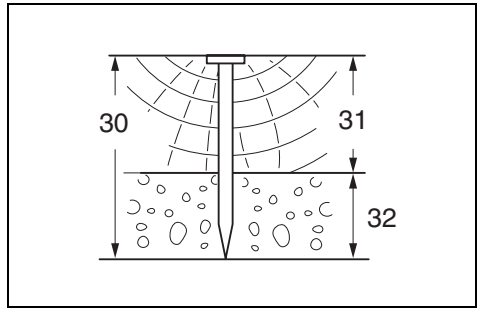
15



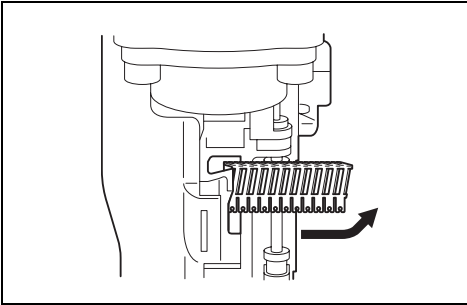
16



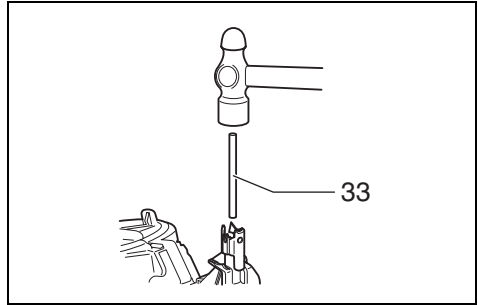
17



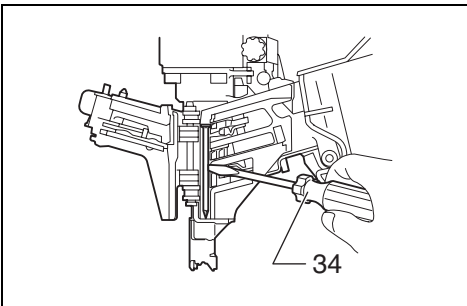
18



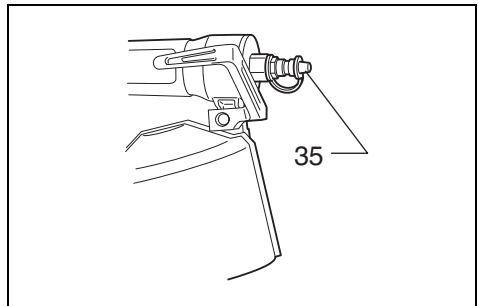
19



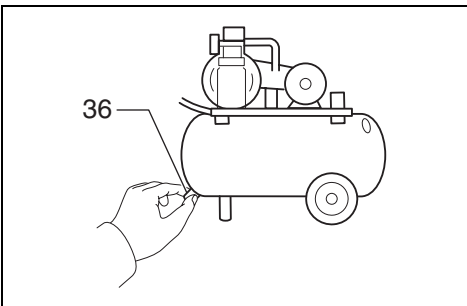
20



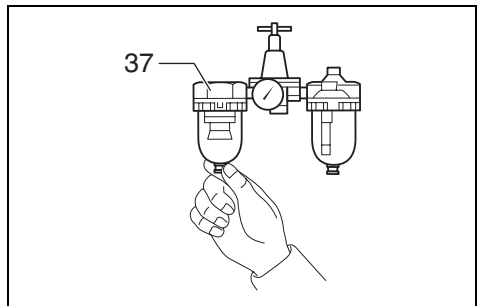
21



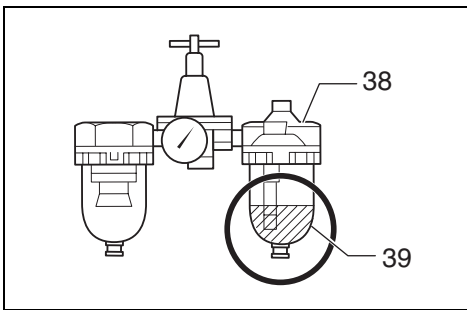
22



23



24



25

Symbols

The followings show the symbols used for the equipment. Be sure that you understand their meaning before use.

Symboles

Nous donnons ci-dessous les symboles utilisés pour l'outil. Assurez-vous que vous en avez bien compris la signification avant d'utiliser l'outil.

Symbole

Die folgenden Symbole werden für die Maschine verwendet. Machen Sie sich vor der Benutzung unbedingt mit ihrer Bedeutung vertraut.

Simboli

Per questo utensile vengono usati i simboli seguenti. Bisogna capire il loro significato prima di usare l'utensile.

Symbolen

Voor dit gereedschap worden de volgende symbolen gebruikt. Zorg ervoor dat u de betekenis van deze symbolen begrijpt alvorens het gereedschap te gebruiken.

Símbolos

A continuación se muestran los símbolos utilizados con esta herramienta. Asegúrese de que entienda su significado antes de usarla.

Símbolos

O seguinte mostra os símbolos utilizados para a ferramenta. Certifique-se de que compreende o seu significado antes da utilização.

Symboler

Nedenstående symboler er anvendt i forbindelse med denne maskine. Vær sikker på, at De har forstået symbolernes betydning, før maskinen anvendes.

Σύμβολα

Τα ακόλουθα δείχνουν τα σύμβολα που χρησιμοποιούνται για το μηχάνημα. Βεβαιωθείτε ότι καταλαβαίνετε τη σημασία τους πριν από τη χρήση.



- Read instruction manual.
- Lire le mode d'emploi.
- Bitte Betriebsanleitung lesen.
- Leggete il manuale di istruzioni.
- Lees de gebruiksaanwijzing.
- Lea el manual de instrucciones.
- Leia o manual de instruções.
- Læs brugsanvisningen.
- Διαβάστε τις οδηγίες χρήσης.



- Wear safety glasses.
- Porter des lunettes de protection.
- Schutzbrille tragen.
- Indossare occhiali di protezione.
- Draag een veiligheidsbril.
- Póngase gafas de seguridad.
- Utilize óculos de segurança.
- Bær sikkerhedsbriller.
- Φορέστε γυαλιά ασφαλείας.



26

END106-2



- Do not use on scaffoldings, ladders.
- Ne pas utiliser dans un échafaudage ou sur une échelle.
- Nicht auf Gerüsten, Leitern verwenden.
- Non usare su impalcature, scale a pioli.
- Niet gebruiken op stellingen, ladders, enz.
- No utilizar en andamios, escaleras de mano.
- Não utilizar em andaimes ou escada.
- Má ikke anvendes på stilladser, stiger.
- Μη χρησιμοποιήσετε σε σκαλωσιές, σκάλες.

Explanation of general view

1 Compressor air output per minute	15 Door	28 Nail driven to a proper depth
2 Nailing frequency (times/min.)	16 Adjustfit	29 Nail driven too deep will cause deformation of workpieces
3 Adjuster	17 Change plate	30 Nail length
4 Shallow	18 Arrow	31 Wood thickness
5 Deep	19 Nail guide	32 Concrete range 10 – 15 mm
6 Too deep	20 Feeder	33 Small rod
7 Flush	21 Trigger	34 Screwdriver
8 Too shallow	22 Contact element	35 Cap
9 Hook	23 Change lever	36 Drain cock
10 Hole	24 0.7 mm or less thick for steel plate	37 Air filter
11 Protrusion	25 Thickness of workpiece	38 Oiler
12 Nose adapter	26 10 mm or more	39 Pneumatic oil
13 Magazine cap	27 C-shaped steel	
14 Latch lever	(Thickness 1.6 mm – 2.3 mm)	

SPECIFICATIONS

Model	AN610H
Air pressure	0.98 – 2.26 MPa (9.8 – 22.6 bar)
Nail length	Wire-collated coil nail 32 mm – 65 mm Sheet-collated coil nail 32 mm – 65 mm
Nail capacity	Wire-collated coil nail 250 pcs, 300 pcs, 400 pcs Sheet-collated coil nail 200 pcs
Min. hose diameter	5.0 mm
Dimensions (L x H x W)	282 mm x 277 mm x 136 mm
Net weight	1.9 kg

- Due to our continuing program of research and development, the specifications herein are subject to change without notice.
- Specifications may differ from country to country.
- Weight according to EPTA-Procedure 01/2003

Intended use

The tool is intended for the preliminary interior work such as fixing floor joists or common rafters and framing work in 2" x 4" housing.

ENB109-1

IMPORTANT SAFETY INSTRUCTIONS

WARNING:

WHEN USING THIS TOOL, BASIC SAFETY PRECAUTIONS SHOULD ALWAYS BE FOLLOWED TO REDUCE THE RISK OF PERSONAL INJURY, INCLUDING THE FOLLOWING:

READ ALL INSTRUCTIONS.

- For personal safety and proper operation and maintenance of the tool, read this instruction manual before using the tool.
- Always wear safety glasses to protect your eyes from dust or nail injury.

WARNING:

It is an employer's responsibility to enforce the use of safety eye protection equipment by the tool operators and by other persons in the immediate working area.

- Wear hearing protection to protect your ears against exhaust noise and head protection. Also wear light but not loose clothing. Sleeves should be buttoned or rolled up. No necktie should be worn.
- Rushing the job or forcing the tool is dangerous. Handle the tool carefully. Do not operate when under the influence of alcohol, drugs or the like.
- General Tool Handling Guidelines:
 1. Always assume that the tool contains fasteners.
 2. Do not point the tool toward yourself or anyone whether it contains fasteners or not.
 3. Do not activate the tool unless the tool is placed firmly against the workpiece.
 4. Respect the tool as a working implement.
 5. No horseplay.
 6. Do not hold or carry the tool with a finger on the trigger.
 7. Do not load the tool with fasteners when any one of the operating controls is activated.
 8. Do not operate the tool with any power source other than that specified in the tool operating/safety instructions.
- An improperly functioning tool must not be used.
- Sparks sometimes fly when the tool is used. Do not use the tool near volatile, flammable materials such as gasoline, thinner, paint, gas, adhesives, etc.; they will ignite and explode, causing serious injury.

- The area should be sufficiently illuminated to assure safe operations. The area should be clear and litter-free. Be especially careful to maintain good footing and balance.
- Only those involved in the work should be in the vicinity. Children especially must be kept away at all times.
- There may be local regulations concerning noise which must be complied with by keeping noise levels within prescribed limits. In certain cases, shutters should be used to contain noise.
- Do not play with the contact element: it prevents accidental discharge, so it must be kept on and not removed. Securing the trigger in the ON position is also very dangerous. Never attempt to fasten the trigger. Do not operate a tool if any portion of the tool operating controls is inoperable, disconnected, altered, or not working properly.
- Operate the tool within the specified air pressure of 0.98 – 2.26 MPa (9.8 – 22.6 bar) for safety and longer tool life. Do not exceed the recommended max. operating pressure of 2.26 MPa (22.6 bar). The tool should not be connected to a source whose pressure potentially exceeds 3.39 MPa (33.9 bar).
- Make sure that the pressure supplied by the compressed air system does not exceed the maximum allowable pressure of the fastener driving tool. Set the air pressure initially to the lower value of the recommended allowable pressure (see SPECIFICATIONS).
- Never use the tool with other than compressed air. If bottled gas (carbon dioxide, oxygen, nitrogen, hydrogen, air, etc.) or combustible gas (hydrogen, propane, acetylene, etc.) is used as a power source for this tool, the tool will explode and cause serious injury.
- Always check the tool for its overall condition and loose screws before operation. Tighten as required.
- Make sure all safety systems are in working order before operation. The tool must not operate if only the trigger is pulled or if only the contact arm is pressed against the wood. It must work only when both actions are performed. Test for possible faulty operation with nails unloaded and the pusher in fully pulled position.
- Check walls, ceilings, floors, roofing and the like carefully to avoid possible electrical shock, gas leakage, explosions, etc. caused by striking live wires, conduits or gas pipes.
- Use only nails specified in this manual. The use of any other nails may cause malfunction of the tool.
- Never use fastener driving tools marked with the symbol "Do not use on scaffoldings, ladders" for specific application for example:
 - when changing one driving location to another involves the use of scaffoldings, stairs, ladders, or ladder alike constructions, e.g. roof laths;
 - closing boxes or crates;
 - fitting transportation safety systems e.g. on vehicles and wagons.
- Do not permit those uninstructed to use the tool.
- Make sure no one is nearby before nailing. Never attempt to nail from both the inside and outside at the same time. Nails may rip through and/or fly off, presenting a grave danger.
- Watch your footing and maintain your balance with the tool. Make sure there is no one below when working in high locations, and secure the air hose to prevent danger if there is sudden jerking or catching.
- On rooftops and other high locations, nail as you move forward. It is easy to lose your footing if you nail while inching backward. When nailing against perpendicular surface, nail from the top to the bottom. You can perform nailing operations with less fatigue by doing so.
- A nail will be bent or the tool can become jammed if you mistakenly nail on top of another nail or strike a knot in the wood. The nail may be thrown and hit someone, or the tool itself can react dangerously. Place the nails with care.
- Do not leave the loaded tool or the air compressor under pressure for a long time out in the sun. Be sure that dust, sand, chips and foreign matter will not enter the tool in the place where you leave it setting.
- Do not point the ejection port at anyone in the vicinity. Keep hands and feet away from the ejection port area.
- When the air hose is connected, do not carry the tool with your finger on the trigger or hand it to someone in this condition. Accidental firing can be extremely dangerous.
- Handle the tool carefully, as there is high pressure inside the tool that can be dangerous if a crack is caused by rough handling (dropping or striking). Do not attempt to carve or engrave on the tool.
- Stop nailing operations immediately if you notice something wrong or out of the ordinary with the tool.
- Always disconnect the air hose and remove all of the nails:
 9. When unattended.
 10. Before performing any maintenance or repair.
 11. Before cleaning a jam.
 12. Before moving the tool to a new location.
- Perform cleaning and maintenance right after finishing the job. Keep the tool in tip-top condition. Lubricate moving parts to prevent rusting and minimize friction-related wear. Wipe off all dust from the parts.
- Do not modify tool without authorization from Makita.
- Ask Makita's Authorized service centers for periodical inspection of the tool.
- To maintain product SAFETY and RELIABILITY, maintenance and repairs should be performed by Makita Authorized Service Centers, always using Makita replacement parts.
- Use only pneumatic tool oil specified in this manual.
- Never connect tool to compressed air line where the maximum allowable pressure of tool cannot be exceeded by 10%. Make sure that the pressure supplied by the compressed air system does not exceed the maximum allowable pressure of the fastener driving tool. Set the air pressure initially to the lower value of the recommended allowable pressure.
- Do not attempt to keep the trigger or contact element depressed with tape or wire. Death or serious injury may occur.
- Always check contact element as instructed in this manual. Nails may be driven accidentally if the safety mechanism is not working correctly.



SAVE THESE INSTRUCTIONS.

INSTALLATION

Selecting compressor (Fig. 1)

The air compressor must comply with the requirements of EN60335-2-34.

Select a compressor that has ample pressure and air output to assure cost-efficient operation. The graph shows the relation between nailing frequency, applicable pressure and compressor air output.

Thus, for example, if nailing takes place at a rate of approximately 50 times per minute at a compression of 1.76 MPa (17.6 bar), a compressor with an air output over 90 liters/minute is required.

Pressure regulators must be used to limit air pressure to the rated pressure of the tool where air supply pressure exceeds the tool's rated pressure. Failure to do so may result in serious injury to tool operator or persons in the vicinity.

Selecting air hose (Fig. 2)

Use a high pressure resistant air hose.

Use an air hose as large and as short as possible to assure continuous, efficient nailing operation.

CAUTION:

- Low air output of the compressor, or a long or smaller diameter air hose in relation to the nailing frequency may cause a decrease in the driving capability of the tool.

Lubrication

To insure maximum performance, install an air set (oil, regulator, air filter) as close as possible to the tool. Adjust the oiler so that one drop of oil will be provided for every 30 nails. (Fig. 3)

When an air set is not used, oil the tool with pneumatic tool oil by placing 2 (two) or 3 (three) drops into the air fitting. This should be done before and after use. For proper lubrication, the tool must be fired a couple of times after pneumatic tool oil is introduced. (Fig. 4)

FUNCTIONAL DESCRIPTION

CAUTION:

- Always disconnect the air hose before adjusting or checking function on the tool.

Adjusting the nailing depth (Fig. 5 & 6)

CAUTION:

- Always disconnect the hose before adjusting the depth of nailing.

If nails are driven too deep, turn the adjuster clockwise. If nails are driven too shallow, turn the adjuster counter-clockwise.

The adjustable range is 0 – 6 mm. (One full turn allows 0.8 mm adjustment.)

Hook (Fig. 7)

CAUTION:

- Always disconnect the hose when hanging the tool using the hook.
- Never hang the tool on a waist belt or like. Dangerous accidental firing may result.

The hook is convenient for hanging the tool temporarily. This hook can be installed on either side of the tool.

When changing the installation position, remove the screw with a screwdriver. Install the hook on another side for installation and then secure it with the screw.

Use the nose adapter (Fig. 8)

CAUTION:

- Always disconnect the hose before installing or removing the nose adapter.

If you like to protect the surface of workpiece, attach the nose adapter of contact trip.

When nailing workpieces with easily-marred surfaces, use the nose adapter. To attach the nose adapter to the contact arm, press it onto the contact arm until the protrusion in three places inside the nose adapter fit in three holes in the contact arm.

ASSEMBLY

CAUTION:

- Always disconnect the air hose before loading the nailer.

Loading the nailer

CAUTION:

- Make sure that the coil support plate is set to the correct step for used nails.

Disconnect the air hose from the tool.

Select nails suitable for your work. Depress the latch lever and open the door and the magazine cap. (Fig. 9)

Lift and turn the coil support plate so that the arrow with nail size indicated on the coil support plate will point to the corresponding graduation increment marked on the magazine. If the tool is operated with the coil support plate set to the wrong step, poor nail feed or malfunction of the tool may result. (Fig. 10)

Place the nail coil over the coil support plate. Uncoil enough nails to reach the feed claw. Place the first nail in the driver channel and the second nail in the feed claw.

Place other uncoiled nails on feeder body. Close the magazine cap slowly until it lock after checking to see that the nail coil is set properly in the magazine. (Fig. 11)

Connecting air hose

Slip the air socket of the air hose onto the air fitting on the nailer. Be sure that the air socket locks firmly into position when installed onto the air fitting. A hose coupling must be installed on or near the tool in such a way that the pressure reservoir will discharge at the time the air supply coupling is disconnected.

OPERATION

CAUTION:

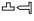

- Make sure all safety systems are in working order before operation.

1. To drive a nail, you may place the contact element against the workpiece and pull the trigger, or
 2. Pull the trigger first and then place the contact element against the workpiece. (Fig. 12 & 13)
- No. (1) method is for intermittent nailing, when you wish to drive a nail carefully and very accurately. No. (2) method is for continuous nailing.

CAUTION:

- However when the tool is set to the “Intermittent Nailing” mode, WITH THE TRIGGER HELD IN A HALF-PULLED POSITION, an unexpected nailing could occur, if contact element is allowed to re-contact against the workpiece or the other surface under the influence of recoil.

In order to avoid this unexpected nailing, perform as follows;

- Do not place the contact element against the workpiece with excessive force.
 - Pull the trigger fully and hold it on for 1 – 2 seconds after nailing.
- For No. (1) method, set the change lever to the  position.
 - For No. (2) method, set the change lever to the  position.

After using the change lever to change the nailing method, always make sure that the change lever is properly set to the position for the desired nailing method. (Fig. 14 & 15)

Nailing of steel plate (Fig. 16 & 17)**WARNING:**

- Use 2.3 mm or less steel for C-shaped one.
The tool will bounce severely and a nail struck back, causing serious injuries.
- Use hardened nails only for steel plate.
Using other purposed nails may cause serious injuries.
- When nailing, hold the tool so that it stands upright to the driving surface.
Slanted nailing may cause nails to strike back, causing serious injuries.
- When fastening a corrugated zinc plate on the C-shaped steel, use 0.7 mm or less thick plate and 32 mm long hardened nails. Failure to do so may cause nails to strike back, causing serious injuries.
- Do not use the tool for nailing on ceiling or roof.

Choose and use nails more than 10 mm longer than total thickness of all workpiece to be fastened by referring to the table below.

Material thickness (mm)	Nail length (mm)
1.8 – 22	32
10 – 27	38
15 – 30	45
15 – 38	50

CAUTION:

- Depending on the hardness and total thickness of all workpiece in combination to be fastened, enough fastening may not be obtained. Nailing on steel plate to excessive depth may extremely reduce the fastening force. Before nailing, adjust the nailing depth properly.
- In the nailing on the steel plate, the driver may be clogged due to susceptibility to wear. When it is worn, sharpen it or replace it with a new one.

Nailing of concrete (Fig. 18)**WARNING:**

- Use hardened nails only for concrete.
- Using other purposed nails may cause serious injuries.
Do not nail directly on the concrete or do not use to fasten directly the steel plate to the concrete. Failure to do so may cause concrete fragments to fly off or nails to strike back, causing serious injuries.
- When nailing, hold the tool so that it stands upright to the driving surface.
Slanted nailing may cause concrete fragments to fly off or nails to strike back, causing serious injuries.
- Do not use on the surface that objects hang from, such as area where hangers for sewer pipe, dust pipe etc. are set up.

Choose and use nails so that the penetration amount into concrete ranges 10 mm – 15 mm by referring to the table below.

Wood thickness (mm)	Nail length (mm)	Concrete (mm)
20	32	Approx. 12
25	38	Approx. 13
30	45	Approx. 15
35	50	Approx. 15

CAUTION:

- Use this tool only for soft concrete built up not so long before. Using on the hard concrete may cause nail bending or nailing to insufficient depth.
- When the penetration amount into concrete comes to more than 15 mm, nailing to the sufficient length may not be obtained.

Cutting off the sheet (Fig. 19)**CAUTION:**

- Always disconnect the hose before cutting off the sheet.

Tear off the output sheet in the direction of the arrow when using the sheet collated nails.

MAINTENANCE**CAUTION:**

- Always disconnect the air hose from the tool before attempting to perform inspection or maintenance.

Jammed nailer (Fig. 20 & 21)**CAUTION:**

- Always disconnect the air hose and remove the nails from the magazine before cleaning a jam.

When the nailer becomes jammed, do as follows:
Open the magazine cap and remove the nail coil. Insert a small rod or the like into the ejection port and tap it with a hammer to drive out the nail jamming from the ejection port. Reset the nail coil and close the magazine cap.

Drain tool

Remove the hose from the tool. Place the tool so that the air fitting faces down to the floor. Drain as much as possible.

Cleaning of tool

Iron dust that adhere to the magnet can be blown off by using an air duster.

Cap (Fig. 22)

When not in use, disconnect the hose. Then cap the air fitting with the cap.

Storage

When not in use, the nailer should be stored in a warm and dry place.

Maintenance of compressor, air set and air hose

After operation, always drain the compressor tank and the air filter. If moisture is allowed to enter the tool, it may result in poor performance and possible tool failure.

(Fig. 23 & 24)

Check regularly to see if there is sufficient pneumatic oil in the oiler of the air set. Failure to maintain sufficient lubrication will cause O-rings to wear quickly. (Fig. 25)

Keep the air hose away from heat (over 60°C, over 140°F), away from chemicals (thinner, strong acids or alkalis). Also, route the hose away from obstacles which it may become dangerously caught on during operation. Hoses must also be directed away from sharp edges and areas which may lead to damage or abrasion to the hose. (Fig. 26)

To maintain product SAFETY and RELIABILITY, repairs, any other maintenance or adjustment should be performed by Makita Authorized Service Centers, always using Makita replacement parts.

ACCESSORIES

CAUTION:

- These accessories or attachments are recommended for use with your Makita tool specified in this manual. The use of any other accessories or attachments might present a risk of injury to persons. Only use accessory or attachment for its stated purpose.

If you need any assistance for more details regarding these accessories, ask your local Makita Service Center.

- Nails
- Air hoses
- Safety goggles

ENG102-3

Noise

The typical A-weighted noise level determined according to EN792:

Sound pressure level (L_{pA}): 86 dB (A)

Sound power level (L_{WA}): 99 dB (A)

Uncertainty (K): 3 dB (A)

Wear ear protection

ENG233-2

Vibration

The vibration emission value determined according to EN792:

Vibration emission (a_h): 3.0 m/s²

Uncertainty (K): 1.5 m/s²

ENG901-1

- The declared vibration emission value has been measured in accordance with the standard test method and may be used for comparing one tool with another.
- The declared vibration emission value may also be used in a preliminary assessment of exposure.

WARNING:

- The vibration emission during actual use of the power tool can differ from the declared emission value depending on the ways in which the tool is used.

- Be sure to identify safety measures to protect the operator that are based on an estimation of exposure in the actual conditions of use (taking account of all parts of the operating cycle such as the times when the tool is switched off and when it is running idle in addition to the trigger time).

ENH003-11

For European countries only

EC Declaration of Conformity

We Makita Corporation as the responsible manufacturer declare that the following Makita machine(s):

Designation of Machine: Construction Nailer

Model No./ Type: AN610H

are of series production and

Conforms to the following European Directives:

98/37/EC until 28th December 2009 and then with 2006/42/EC from 29th December 2009

And are manufactured in accordance with the following standards or standardised documents:

EN792

The technical documentation is kept by our authorized representative in Europe who is:

Makita International Europe Ltd.

Michigan Drive, Tongwell,

Milton Keynes, MK15 8JD, England

30th January 2009



Tomoyasu Kato
Director

Makita Corporation
3-11-8, Sumiyoshi-cho,
Anjo, Aichi, JAPAN

Descriptif

1	Sortie d'air à la minute du compresseur	15	Porte	28	Clou planté à la bonne profondeur
2	Fréquence de clouage (clous/min)	16	Dispositif d'ajustement	29	Un clou planté trop profondément déformera la pièce
3	Dispositif de réglage	17	Plaque de changement	30	Longueur de clou
4	Peu profond	18	Flèche	31	Épaisseur du bois
5	Profond	19	Guide clou	32	10 mm à 15 mm de béton
6	Trop profond	20	Dispositif d'alimentation	33	Petite tige
7	Au ras	21	Gâchette	34	Tournevis
8	Pas assez profond	22	Élément de contact	35	Bouchon
9	Crochet	23	Levier de changement de mode	36	Robinet de vidange
10	Trou	24	Tôle d'une épaisseur de 0,7 mm ou moins	37	Filtre à air
11	Saillie	25	Épaisseur de la pièce	38	Réservoir d'huile
12	Adaptateur de bec	26	10 mm ou plus	39	Huile à outil pneumatique
13	Bouchon du magasin	27	Tôle en U (épaisseur : 1,6 mm à 2,3 mm)		
14	Levier de fermeture				

SPÉCIFICATIONS

Modèle	AN610H
Pression d'air	0,98 – 2,26 MPa (9,8 – 22,6 bar)
Longueur de clou	Clous reliés par fils métalliques 32 mm – 65 mm Clous reliés par bande 32 mm – 65 mm
Capacité en clous	Clous reliés par fils métalliques 250 pièces, 300 pièces, 400 pièces Clous reliés par bande 200 pièces
Diamètre min. du tuyau	5,0 mm
Dimensions (L x H x P)	282 mm x 277 mm x 136 mm
Poids net	1,9 kg

- Étant donné l'évolution constante de notre programme de recherche et de développement, les spécifications contenues dans ce manuel sont sujettes à modification sans préavis.
- Les spécifications peuvent varier suivant les pays.
- Poids selon la procédure EPTA 01/2003

Utilisations

L'outil est conçu pour les travaux intérieurs préliminaires tels que la fixation des solives de plancher et des chevrons, ainsi que pour les travaux de charpente dans les maisons à ossature 2" x 4".

ENB109-1

CONSIGNES DE SÉCURITÉ IMPORTANTES

AVERTISSEMENT :

PAR MESURE DE SÉCURITÉ, DES PRÉCAUTIONS DE BASE DOIVENT ÊTRE PRISES LORS DE L'UTILISATION DE CET OUTIL, AFIN DE RÉDUIRE LES RISQUES DE BLESSURE. CES MESURES COMPRENENT LES SUIVANTES :

LISEZ TOUTES LES INSTRUCTIONS.

- Par mesure de sécurité personnelle et pour assurer une utilisation et un entretien adéquats, veuillez lire ce manuel d'instructions avant d'utiliser l'outil.
- Portez toujours des lunettes de sécurité pour protéger vos yeux contre toute blessure au contact de la poussière ou d'un clou.

AVERTISSEMENT :

L'employeur a la responsabilité d'imposer le port d'un dispositif de protection des yeux aux utilisateurs des outils et à toute personne présente dans l'aire de travail.

- Portez une protection d'oreilles pour les protéger contre le bruit, et portez un casque de sécurité. Les vêtements portés doivent être légers et ne doivent pas être amples. Veuillez boutonner ou rouler vos manches. Ne portez pas de cravate.
- Il est dangereux de travailler trop vite ou d'appliquer une charge de travail excessive à l'outil. Manipulez l'outil avec soin. N'utilisez pas l'outil si vous avez consommé de l'alcool, des médicaments, etc.
- Conseils généraux pour l'utilisation des outils :
 1. Gardez toujours à l'esprit que l'outil contient des clous.
 2. L'outil ne doit jamais être pointé vers vous-même ou vers une autre personne, qu'il contienne ou non des clous.
 3. Ne mettez pas l'outil en marche avant qu'il ne soit fermement placé sur la pièce à travailler.
 4. Respectez votre outil en tant qu'instrument de travail.
 5. Évitez tout chahut.
 6. L'outil ne doit jamais être saisi ou transporté en posant un doigt sur la gâchette.
 7. Ne mettez jamais de clous dans l'outil alors que l'une de ses commandes est activée.

8. Ne branchez jamais l'outil sur une source d'alimentation autre que celle spécifiée dans les instructions d'utilisation et consignes de sécurité qui l'accompagnent.
 - Aucun outil défectueux ne doit être utilisé.
 - Des étincelles s'échappent parfois de l'outil pendant son utilisation. N'utilisez pas l'outil près de substances ou matériaux volatiles ou inflammables tels que l'essence, le diluant, la peinture, le gaz, les adhésifs, etc. Ils risqueraient de prendre feu, d'exploser et de causer une blessure grave.
 - L'aire de travail doit être suffisamment éclairée pour assurer la sécurité du travail. L'aire de travail doit être maintenue propre et exempte de déchets. Prenez particulièrement soin d'avoir une bonne assise et une bonne position d'équilibre.
 - Seules les personnes qui participent au travail doivent pénétrer dans l'aire de travail. Les enfants, tout particulièrement, doivent être maintenus à l'écart en tout temps.
 - Il se peut que des réglementations locales s'appliquent concernant les niveaux de bruit permis. Veuillez les respecter. Dans certains cas, des volets doivent être installés pour réduire le bruit.
 - Ne modifiez pas l'élément de contact : il permet de prévenir toute décharge accidentelle et doit donc être laissé en place. Il est également très dangereux de fixer la gâchette en position de marche. Il ne faut jamais essayer d'immobiliser la gâchette. N'utilisez jamais un outil dont une des commandes est inutilisable, déconnectée, modifiée ou ne fonctionne pas correctement.
 - Par mesure de précaution et pour augmenter la durée de vie de l'outil, réglez-le toujours à l'intérieur de la plage de pression d'air spécifiée, soit 0,98 – 2,26 MPa (9,8 – 22,6 bar). Ne dépassez jamais la pression maximale recommandée de 2,26 MPa (22,6 bar). L'outil ne doit pas être raccordé à une source dont la pression peut dépasser 3,39 MPa (33,9 bar).
 - Assurez-vous que la pression fournie par le système d'air comprimé ne dépasse pas la pression maximale permise de l'outil. Réglez d'abord la pression d'air sur la plus petite valeur de pression recommandée (voir SPECIFICATIONS).
 - Cet outil doit être exclusivement utilisé avec de l'air comprimé. L'utilisation d'une bouteille de gaz (dioxyde de carbone, oxygène, nitrogène, hydrogène, air, etc.) ou de gaz combustible (hydrogène, propane, acétylène, etc.) comme source de pression de cet outil entraînera une explosion et risque de causer une blessure grave.
 - Avant d'utiliser l'outil, assurez-vous qu'il est en bon état et qu'aucune de ses vis n'est desserrée. Le cas échéant, serrez les vis.
 - Assurez-vous que tous les dispositifs de sécurité sont en état de fonctionner avant d'utiliser l'outil. En principe cet outil ne fonctionne pas si vous appuyez seulement sur la gâchette ou si vous appuyez simplement le bras de contact contre le bois. Il ne doit fonctionner que lorsque ces deux actions sont exécutées. Retirez les clous de l'outil et tirez le poussoir à fond pour vérifier l'absence de tout vice de fonctionnement.
 - Pour éviter tout risque de choc électrique, de fuite de gaz, d'explosion, etc., provoqué par le contact avec des fils dénudés, des conduites ou des tuyaux de gaz, vérifiez le mur, le plafond, le plancher, le toit ou toute autre pièce où vous clouez.
 - Utilisez uniquement les clous spécifiés dans ce manuel. L'outil risque de mal fonctionner si vous utilisez tout autre type de clou.
 - Il ne faut jamais utiliser les outils de clouage qui portent l'indication "Ne pas utiliser dans un échafaudage ou sur une échelle" pour des applications particulières, telles que par exemple :
 - lorsque, pour changer d'emplacement de clouage, il faut utiliser un échafaudage, un escalier, une échelle ou une structure similaire, par exemple lorsque vous clouez des lattes de toit ;
 - pour fermer des boîtes ou caisses ;
 - pour installer des dispositifs de sécurité, par exemple, sur un véhicule ou un wagon.
- 
9. Lorsque l'outil est laissé sans surveillance.
 10. Avant d'effectuer tout travail d'entretien ou de réparation sur l'outil.
 11. Avant de retirer des clous coincés.
 12. Avant de déplacer l'outil vers un autre lieu.

- Procédez au nettoyage et à l'entretien de l'outil dès votre travail terminé. Maintenez l'outil en excellente condition. Lubrifiez les pièces mobiles pour éviter qu'elles ne rouillent et pour limiter l'usure entraînée par la friction. Retirez toute poussière déposée sur les pièces.
- Ne modifiez pas l'outil sans l'autorisation de Makita.
- Confiez régulièrement l'outil à un centre de service après-vente agréé Makita pour une inspection.
- Pour maintenir la SÉCURITÉ et la FIABILITÉ du produit, son entretien et sa réparation doivent être effectués dans un centre de service après-vente agréé Makita, exclusivement avec des pièces de rechange Makita.
- Utilisez uniquement l'huile à outil pneumatique spécifiée dans ce manuel.
- Ne jamais raccorder l'outil à un conduit d'air comprimé dont la pression maximale permise ne dépasse pas de 10% celle de l'outil. Assurez-vous que la pression fournie par le système d'air comprimé ne dépasse pas la pression maximale permise de l'outil. Réglez d'abord la pression d'air sur la plus petite valeur de pression recommandée.
- Ne pas essayer de maintenir en position enfoncée la gâchette ou l'élément de contact avec un bout de ruban ou de fil. Il y a risque de décès ou de blessure grave.
- Vérifiez toujours l'élément de contact, tel qu'indiqué dans ce manuel. Des clous risquent d'être projetés par accident si le mécanisme de sécurité ne fonctionne pas correctement.

CONSERVEZ CES INSTRUCTIONS.

INSTALLATION

Sélection du compresseur (Fig. 1)

Le compresseur d'air doit répondre aux exigences de la norme EN60335-2-34.

Choisissez un compresseur dont la capacité de pressurisation et de sortie d'air assurera un bon rapport qualité/coût. Le graphique indique la relation entre la fréquence de clouage, la pression applicable et la sortie d'air du compresseur.

Ainsi, par exemple, un clouage à raison d'environ 50 clous par minute avec une pression de 1,76 MPa (17,6 bar) nécessite une sortie d'air supérieure à 90 litres/min.

Un régulateur de pression doit être utilisé si la pression d'air fournie dépasse la capacité nominale de l'outil. Autrement, l'utilisateur et les personnes présentes courent un risque de blessure grave.

Sélection du tuyau d'air (Fig. 2)

Utilisez un tuyau d'air résistant aux pressions élevées. Le tuyau d'air utilisé doit être le plus gros et le plus court possible, pour assurer un travail de clouage continu et efficace.

ATTENTION :

- La capacité d'entraînement de l'outil risque de diminuer si la sortie d'air du compresseur est faible ou si le tuyau d'air est trop long ou d'un diamètre trop petit pour la fréquence de clouage.

Lubrification

Pour assurer une performance maximale, installez une chambre à air (qui contient le réservoir d'huile, le régulateur et le filtre à air) le plus près possible de l'outil. Ajustez le réservoir d'huile de sorte qu'une goutte d'huile soit fournie tous les 30 clous. (Fig. 3)

Si vous n'utilisez pas de chambre à air, graissez l'outil en versant deux (2) ou trois (3) gouttes d'huile à outil pneumatique dans le raccord à air. Cette opération doit être effectuée avant et après l'utilisation. Pour assurer une lubrification adéquate, il faut faire déclencher l'outil à quelques reprises après l'insertion de l'huile à outil pneumatique. (Fig. 4)

DESCRIPTION DU FONCTIONNEMENT

ATTENTION :

- Toujours déconnectez le tuyau avant de régler l'outil ou de vérifier son fonctionnement.

Réglage de la profondeur de clouage (Fig. 5 et 6)

ATTENTION :

- Verrouillez déconnectez le tuyau avant de régler la profondeur de clouage.

Si les clous sont plantés trop profondément, tournez le dispositif de réglage dans le sens des aiguilles d'une montre. Si les clous ne sont pas plantés assez profondément, tournez le dispositif de réglage dans le sens contraire des aiguilles d'une montre.

La plage de réglage s'étend de 0 à 6 mm. (Un tour complet correspond à un réglage de 0,8 mm.)

Crochet (Fig. 7)

ATTENTION :

- Toujours débranchez le tuyau avant de suspendre l'outil avec le crochet.
- Ne jamais suspendre l'outil à un ceinturon, etc. L'outil pourrait se déclencher accidentellement, ce qui est dangereux.

Le crochet est pratique pour suspendre l'outil temporairement. Ce crochet s'installe d'un côté comme de l'autre de l'outil.

Lorsque vous changez la position d'installation, retirez la vis à l'aide d'un tournevis. Posez le crochet de l'autre côté, puis fixez-le à l'aide de la vis.

Utiliser l'adaptateur de bec (Fig. 8)

ATTENTION :

- Déconnectez le tuyau avant d'installer ou de retirer l'adaptateur de bec.

Si vous désirez protéger la surface de la pièce à travailler, fixez l'adaptateur de bec à l'élément de contact.

Lorsque vous clouez des pièces dont la surface se marque facilement, utilisez l'adaptateur de bec. Pour fixer l'adaptateur de bec au bras de contact, pressez-le contre ce dernier jusqu'à ce que les trois parties saillantes à l'intérieur de l'adaptateur de bec pénètrent dans les trois orifices du bras de contact.

ASSEMBLAGE

ATTENTION :

- Déconnectez le tuyau d'air avant de charger la cloueuse.

Chargement de la cloueuse

ATTENTION :

- Assurez-vous que la plaque de soutien de la bobine est réglée sur la graduation correspondant aux clous utilisés.

Déconnectez le tuyau d'air de l'outil.

Sélectionnez des clous adéquats pour le type de travail à effectuer. Relevez le levier de fermeture, puis ouvrez la porte et le bouchon de magasin. (Fig. 9)

Soulevez et tournez la plaque de soutien de la bobine, de sorte que la flèche correspondant à la taille de clou indiquée sur la plaque pointe vers la valeur de graduation correspondante sur le magasin. Si vous utilisez l'outil alors que la plaque de soutien de la bobine de clous n'est pas placée sur la bonne position, l'alimentation en clous risque d'être mauvaise et l'outil risque de mal fonctionner. (Fig. 10)

Placez la bobine de clous sur la plaque de soutien. Débinez assez de clous pour atteindre la griffe d'alimentation. Placez le premier clou dans le canal d'entraînement et le second clou dans la griffe d'alimentation. Placez les clous non embobinés sur le dispositif d'alimentation. Fermez lentement le bouchon du magasin jusqu'à ce qu'il se verrouille, après vous être assuré que la bobine de clous est bien installée dans le magasin. (Fig. 11)

Raccordement du tuyau d'air

Glissez la douille à air du tuyau d'air dans le raccord à air de la cloueuse. Assurez-vous que la douille à air est verrouillée fermement en position lorsque vous installez le raccord à air. Un raccord à tuyau doit être installé sur ou près de l'outil de sorte que le réservoir de pression se vide au moment de la déconnexion du raccord d'adduction d'air.

UTILISATION

ATTENTION :

- Assurez-vous que tous les dispositifs de sécurité sont en état de fonctionner avant d'utiliser l'outil.

1. Pour clouer, vous pouvez placer l'élément de contact contre la pièce et appuyer sur la gâchette, ou
 2. appuyer d'abord sur la gâchette puis placer l'élément de contact contre la pièce. (Fig. 12 et 13)
- La méthode (1) convient bien au clouage intermittent, lorsque vous désirez enfoncer les clous soigneusement, avec une grande précision. La méthode (2) convient bien au clouage continu.

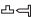

ATTENTION :

- Toutefois, si l'outil est réglé en mode de "clouage intermittent", AVEC LA GÂCHETTE MAINTENUE À MICOOURSE, vous risquez de clouer par inadvertance si l'élément de contact touche à nouveau la pièce à travailler ou toute autre surface sous l'effet du recul.

Pour éviter ce clouage accidentel, procédez comme suit :

- A. N'appliquez pas une pression excessive lorsque vous posez l'élément de contact contre la pièce à travailler.

- B. Appuyez à fond sur la gâchette et maintenez-la dans cette position 1 ou 2 secondes après le clouage.

- Pour la méthode N° (1), réglez le levier de changement de mode sur la position .
- Pour la méthode N° (2), réglez le levier de changement de mode sur la position .

Après avoir modifié la méthode de clouage avec le levier de changement de mode, assurez-vous toujours que le levier de changement de mode est correctement réglé sur la position qui correspond à la méthode de clouage désirée. (Fig. 14 et 15)

Clouage dans la tôle (Fig. 16 et 17)

AVERTISSEMENT :

- Utilisez des tôles en U de 2,3 mm ou moins. L'outil bondira sévèrement et un clou risque d'être éjecté vers l'arrière, ce qui comporte un risque de blessure grave.

- Utilisez uniquement des clous durcis pour clouer dans la tôle.

L'utilisation d'autres types de clous comporte un risque de blessure grave.

- Lorsque vous clouez, tenez l'outil bien droit par rapport à la surface à clouer.

Si vous ne clouez pas droit les clous risquent d'être éjectés par l'arrière, ce qui comporte un risque de blessure grave.

- Lorsque vous clouez une tôle de zinc ondulée sur une tôle en U, utilisez une tôle de 0,7 mm ou moins d'épaisseur et des clous durcis de 32 mm. Autrement les clous risquent d'être éjectés par l'arrière, ce qui comporte un risque de blessure grave.

- N'utilisez pas l'outil pour clouer au plafond ou sur le toit.

Choisissez et utilisez des clous dont la longueur dépasse de 10 mm l'épaisseur totale des pièces à clouer, en vous reportant au tableau ci-dessous.

Épaisseur du matériau (mm)	Longueur de clou (mm)
1,8 – 22	32
10 – 27	38
15 – 30	45
15 – 38	50

ATTENTION :

- Suivant la dureté et l'épaisseur totale des pièces à clouer, il se peut qu'un clouage suffisant ne soit pas obtenu. Le clouage trop profond dans la tôle peut réduire considérablement la solidité du clouage. Avant de clouer, ajustez correctement la profondeur de clouage.

- Lors du clouage dans la tôle, il se peut que le dispositif d'entraînement se coince en raison de l'usure. En cas d'usure, affûtez ou remplacez par un neuf.

Clouage dans le béton (Fig. 18)

AVERTISSEMENT :

- Utilisez uniquement des clous durcis pour clouer dans le béton.
- L'utilisation d'autres types de clous comporte un risque de blessure grave. Ne clouez pas directement dans le béton, et n'utilisez pas l'outil pour clouer directement une tôle sur du béton. Autrement des fragments de béton ou des clous risquent d'être éjectés, ce qui comporte un risque de blessure grave.
- Lorsque vous clouez, tenez l'outil bien droit par rapport à la surface à clouer.

Si vous ne clouez pas droit des fragments de béton ou des clous risquent d'être éjectés par l'arrière, ce qui comporte un risque de blessure grave.

- N'utilisez pas l'outil sur des surfaces auxquelles des objets sont accrochés, tels que des crochets pour canalisations d'égouts, conduites à poussières, etc.

Choisissez et utilisez des clous qui pénétreront de 10 mm à 15 mm dans le béton, en vous reportant au tableau ci-dessous.

Épaisseur du bois (mm)	Longueur de clou (mm)	Béton (mm)
20	32	Environ 12
25	38	Environ 13
30	45	Environ 15
35	50	Environ 15

ATTENTION :

- N'utilisez cet outil que pour clouer dans le béton mou (qui n'est pas coulé depuis trop longtemps). Les clous risquent de plier ou de ne pas s'enfoncer assez profondément dans le béton dur.
- Il peut être impossible d'obtenir une longueur de clouage suffisante s'il y a plus de 15 mm de béton.

Découpage de la bande de clous (Fig. 19)

ATTENTION :

- Verrouillez/déconnectez le tuyau avant de découper la bande.

Détachez la bande sortie dans le sens de la flèche lorsque vous utilisez les clous en bande.

ENTRETIEN

ATTENTION :

- Déconnectez toujours le tuyau d'air de l'outil avant d'effectuer tout travail d'inspection ou d'entretien.

Cloueuse bloquée (Fig. 20 et 21)

ATTENTION :

- Avant de débloquer la cloueuse, vous devez déconnecter le tuyau et retirer les clous du magasin.

Lorsque la cloueuse se bloque, procédez comme suit : Ouvrez le bouchon du magasin et retirez la bobine de clous. Insérez une petite tige ou un objet similaire dans la sortie d'éjection et frappez dessus légèrement avec un marteau pour retirer les clous coincés dans la sortie d'éjection. Remettez en place la bobine de clous et fermez le bouchon du magasin.

Vidange de l'outil

Retirez le tuyau de l'outil. Placez l'outil de sorte que le raccord à air soit orienté vers le plancher. Vidangez le plus possible.

Nettoyage de l'outil

Le fer pulvérisant qui adhère à l'aimant s'enlève facilement à l'aide d'une poire soufflante.

Bouchon (Fig. 22)

Après l'utilisation, déconnectez le tuyau d'air. Mettez ensuite le bouchon sur le raccord à air.

Rangement

Après l'utilisation, vous devez ranger la cloueuse dans un emplacement chaud et sec.

Entretien du compresseur, de la chambre à air et du tuyau d'air

Après l'utilisation, videz toujours le réservoir du compresseur et le filtre à air. L'outil risque de mal fonctionner ou de tomber en panne si l'humidité y pénètre. (Fig. 23 et 24)

Vérifiez régulièrement la chambre à air pour vous assurer que le réservoir d'huile contient assez d'huile à outil pneumatique. Les joints toriques s'useront rapidement s'ils ne sont pas toujours bien graissés. (Fig. 25)

Gardez le tuyau d'air à l'écart de la chaleur (plus de 60°C ou 140°F) et des produits chimiques (diluants, acides puissants, substances alcalines). Il faut également faire courir le tuyau à l'écart des obstacles où il risquerait de se coincer pendant l'utilisation de l'outil.

Les tuyaux doivent également être placés à l'écart des bords tranchants et de toute surface pouvant entraîner l'endommagement ou l'abrasion du tuyau. (Fig. 26)

Pour assurer la SÉCURITÉ et la FIABILITÉ du produit, toute réparation et tout travail d'entretien ou de réglage doivent être effectués par un Centre de service après-vente agréé Makita, avec des pièces de rechange Makita.

ACCESSOIRES

ATTENTION :

- Ces accessoires ou pièces complémentaires sont recommandés pour l'utilisation avec l'outil Makita spécifié dans ce mode d'emploi. L'utilisation de tout autre accessoire ou pièce peut comporter un risque de blessure. N'utilisez les accessoires ou pièces qu'aux fins mentionnées dans le présent mode d'emploi.

Si vous désirez obtenir plus de détails concernant ces accessoires, veuillez contacter le centre de service après-vente Makita le plus près.

- Clous
- Tuyaux d'air
- Lunettes de sécurité

Bruit

Niveau de bruit pondéré A typique, déterminé selon EN792 :

Niveau de pression sonore (L_{pA}) : 86 dB (A)

Niveau de puissance sonore (L_{WA}) : 99 dB (A)

Incertitude (K) : 3 dB (A)

Porter des protecteurs anti-bruit

ENG233-2

Vibrations

Valeur d'émission de vibrations déterminée selon EN792 :

Emission de vibrations (a_{h1}) : 3,0 m/s²

Incertitude (K) : 1,5 m/s²

ENG901-1

- La valeur d'émission de vibrations déclarée a été mesurée conformément à la méthode de test standard et peut être utilisée pour comparer les outils entre eux.
- La valeur d'émission de vibrations déclarée peut aussi être utilisée pour l'évaluation préliminaire de l'exposition.

AVERTISSEMENT :

- L'émission de vibrations lors de l'usage réel de l'outil électrique peut être différente de la valeur d'émission déclarée, suivant la façon dont l'outil est utilisé.
- Les mesures de sécurité à prendre pour protéger l'utilisateur doivent être basées sur une estimation de l'exposition dans des conditions réelles d'utilisation (en tenant compte de toutes les composantes du cycle d'utilisation, comme par exemple le moment de sa mise hors tension, lorsqu'il tourne à vide et le moment de son déclenchement).

ENH003-11

Pour les pays d'Europe uniquement**Déclaration de conformité CE**

Makita Corporation, en tant que fabricant responsable, déclare que la ou les machines suivantes :

Désignation de la machine : Cloueuse pour travaux de construction

N° de modèle / Type : AN610H

sont produites en série et

sont conformes aux Directives européennes suivantes :

98/37/CE jusqu'au 28 décembre 2009, puis 2006/42/CE à compter du 29 décembre 2009

et qu'elles sont fabriquées conformément aux normes ou documents normalisés suivants :

EN792

La documentation technique est conservée par notre représentant agréé en Europe, à savoir :

Makita International Europe Ltd.

Michigan Drive, Tongwell,

Milton Keynes, MK15 8JD, Angleterre

30 janvier 2009



Tomoyasu Kato
Directeur

Makita Corporation
3-11-8, Sumiyoshi-cho,
Anjo, Aichi, JAPAN

Übersicht

1 Kompressor-Luftleistung pro Minute	15 Tür	28 Auf korrekte Tiefe eingetriebener Nagel
2 Nagelfrequenz (Auslösungen/Minute)	16 Passung einstellen	29 Ein zu tief eingetriebener Nagel verursacht Verformung der Werkstücke.
3 Einsteller	17 Platte wechseln	30 Nagellänge
4 Flach	18 Pfeil	31 Holzdicke
5 Tief	19 Nagelführung	32 Beton-Eindringtiefe 10 – 15 mm
6 Zu tief	20 Zuführer	33 Kleine Stange
7 Bündig	21 Auslöser	34 Schraubendreher
8 Zu flach	22 Kontaktfuß	35 Kappe
9 Haken	23 Umschalthebel	36 Ablasshahn
10 Loch	24 maximal 0,7 mm Dicke für Stahlblech	37 Luftfilter
11 Vorsprung	25 Werkstückdicke	38 Öl
12 Mundstückadapter	26 10 mm oder mehr	39 Druckluftöl
13 Magazindeckel	27 C-Profil-Stahl (Dicke 1,6 mm – 2,3 mm)	
14 Rasthebel		

TECHNISCHE DATEN

Modell	AN610H
Luftdruck	0,98 – 2,26 MPa (9,8 – 22,6 bar)
Nagellänge	Drahtverbundener Coil-Nagel 32 mm – 65 mm Folienverbundener Coil-Nagel 32 mm – 65 mm
Nagelkapazität	Folienverbundener Coil-Nagel 250 Stücke, 300 Stücke, 400 Stücke Folienverbundener Coil-Nagel 200 Stücke
Min. Schlauchdurchmesser	5,0 mm
Abmessungen (L x H x B)	282 mm x 277 mm x 136 mm
Nettogewicht	1,9 kg

- Wir behalten uns vor, Änderungen im Zuge der Entwicklung und des technischen Fortschritts ohne vorherige Ankündigung vorzunehmen.
- Die technischen Daten können von Land zu Land abweichen.
- Gewicht nach EPTA-Verfahren 01/2003

Vorgesehene Verwendung

Das Werkzeug ist für vorbereitende Innenarbeiten, wie das Befestigen von Bodenbalken oder allgemeinen Dachsparren und Balkenwerk beim 2" x 4" Hausbau, vorgesehen.

ENB109-1

WICHTIGE SICHERHEITSVORSCHRIFTEN

WARNUNG:

BEI DER BENUTZUNG DIESES WERKZEUGS MÜSSEN ZUR VERRINGERUNG DER VERLETZUNGSGEFAHR STETS DIE GRUNDSÄTZLICHEN SICHERHEITSHINWEISE, EINSCHLIESSLICH DER FOLGENDEN HINWEISE, BEFOLGT WERDEN:

ALLE ANWEISUNGEN DURCHLESEN.

- Um Ihre persönliche Sicherheit und sachgerechten Betrieb und Wartung des Werkzeugs zu gewährleisten, sollten Sie diese Bedienungsanleitung vor der Benutzung des Werkzeugs durchlesen.
- Tragen Sie zum Schutz Ihrer Augen vor Staub oder Nagelverletzungen stets eine Schutzbrille.

WARNUNG:

Der Arbeitgeber ist dafür verantwortlich, den Gebrauch von Schutzbrillen für die Werkzeugbenutzer und andere Personen im unmittelbaren Arbeitsbereich durchzusetzen.

- Tragen Sie einen Gehörschutz, um Ihre Ohren vor dem Auspuffgeräusch und Kopfverletzungen zu schützen. Tragen Sie auch leichte, aber keine lose Kleidung. Ärmel müssen zugeknöpft oder hochgerollt werden. Tragen Sie keine Krawatte.
- Eile bei der Arbeit oder gewaltsamer Gebrauch des Werkzeugs ist gefährlich. Behandeln Sie das Werkzeug sorgfältig. Benutzen Sie das Werkzeug nicht unter dem Einfluss von Alkohol, Drogen oder dergleichen.
- Allgemeine Richtlinien zur Handhabung des Werkzeugs:
 1. Gehen Sie stets von der Annahme aus, dass das Werkzeug Nägel enthält.
 2. Richten Sie das Werkzeug niemals auf sich selbst oder andere Personen, ganz gleich, ob es Nägel enthält oder nicht.
 3. Betätigen Sie das Werkzeug nur, wenn es fest auf das Werkstück aufgesetzt ist.
 4. Respektieren Sie das Werkzeug als Arbeitsmittel.
 5. Kein Herumalbern.
 6. Halten oder tragen Sie das Werkzeug nicht mit dem Finger am Auslöser.

7. Beladen Sie das Werkzeug nicht mit Nägeln, wenn eines der Bedienungselemente aktiviert ist.
 8. Betreiben Sie das Werkzeug nur mit der in den Betriebs-/Sicherheitsanweisungen des Werkzeugs angegebenen Energiequelle.
- Benutzen Sie das Werkzeug nicht, wenn es nicht einwandfrei funktioniert.
 - Bei der Benutzung des Werkzeugs können manchmal Funken fliegen. Benutzen Sie das Werkzeug nicht in der Nähe leichtflüchtiger, brennbarer Substanzen, wie Benzin, Verdünner, Lack, Gas, Klebstoff usw., weil diese Feuer fangen und explodieren können, was schwere Verletzungen zur Folge haben kann.
 - Der Arbeitsplatz sollte ausreichend beleuchtet sein, um sicheres Arbeiten zu gewährleisten. Der Arbeitsplatz sollte sauber und aufgeräumt sein. Achten Sie besonders auf guten Stand und Gleichgewicht.
 - Nur mit der Arbeit beschäftigte Personen sollten sich in der Nähe aufhalten. Besonders Kinder müssen immer ferngehalten werden.
 - Befolgen Sie etwaige örtliche Lärmschutzvorschriften, indem Sie die Geräuschpegel innerhalb der vorgeschriebenen Grenzen halten. In bestimmten Fällen sollten Jalousien verwendet werden, um Lärm einzudämmen.
 - Spielen Sie nicht mit dem Kontaktfuß herum: Er verhütet eine versehentliche Auslösung, weshalb er montiert bleiben muss und nicht entfernt werden darf. Die Arretierung des Auslösers in der Einschaltstellung ist ebenfalls sehr gefährlich. Versuchen Sie niemals, den Auslöser zu arretieren. Benutzen Sie das Werkzeug nicht, falls irgendein Bedienungselement des Werkzeugs funktionsunfähig, abgetrennt, abgeändert oder mangelhaft ist.
 - Betreiben Sie das Werkzeug innerhalb des vorgeschriebenen Luftdruckbereichs von 0,98 – 2,26 MPa (9,8 – 22,6 bar), um Sicherheit und längere Lebensdauer des Werkzeugs zu gewährleisten. Überschreiten Sie nicht den empfohlenen max. Betriebsdruck von 2,26 MPa (22,6 bar). Das Werkzeug darf nicht an eine Druckluftquelle angeschlossen werden, deren Druck 3,39 MPa (33,9 bar) überschreiten kann.
 - Vergewissern Sie sich, dass der vom Druckluftsystem gelieferte Luftdruck nicht den höchstzulässigen Luftdruck des Naglers überschreitet. Stellen Sie den Luftdruck anfänglich auf den niedrigeren Wert des empfohlenen zulässigen Drucks ein (siehe TECHNISCHE DATEN).
 - Betreiben Sie das Werkzeug nur mit Druckluft. Falls Flaschengas (Kohlendioxid, Sauerstoff, Stickstoff, Wasserstoff, Pressluft usw.) oder brennbares Gas (Wasserstoff, Propan, Acetylen usw.) als Treibgas für dieses Werkzeug verwendet wird, besteht die Gefahr, dass das Werkzeug explodiert und schwere Verletzungen verursacht.
 - Überprüfen Sie das Werkzeug vor der Benutzung stets auf seinen Allgemeinzustand und lockere Schrauben. Erforderlichenfalls anziehen.
 - Vergewissern Sie sich vor der Benutzung, dass alle Sicherheitssysteme in gutem Betriebszustand sind. Das Werkzeug darf nicht auslösen, wenn nur der Auslöser gezogen oder nur der Kontaktarm gegen das Holz gedrückt wird. Es darf nur auslösen, wenn beide Aktionen durchgeführt werden. Überprüfen Sie das Werkzeug mit leerem Magazin und voll angezogenem Drücker auf möglichen fehlerhaften Betrieb.
 - Überprüfen Sie Wand, Decke, Fußboden, Dach und dergleichen sorgfältig, um durch Kontakt mit stromführenden Kabeln, Isolierrohren oder Gasrohren verursachte mögliche elektrische Schläge, Gaslecks, Explosionen usw. zu vermeiden.
 - Verwenden Sie nur die in dieser Anleitung angegebenen Nägel. Die Verwendung anderer Nägel kann eine Funktionsstörung des Werkzeugs verursachen.
 - Benutzen Sie niemals mit der Aufschrift „Nicht auf Gerüsten, Leitern verwenden“ versehene Nagler für spezifische Anwendungen, wie z.B.:
 - wenn für einen Arbeitsplatzwechsel Gerüste, Treppen, Leitern oder leiterähnliche Konstruktionen, wie z.B. Dachlatten erforderlich sind;
 - zum Verschließen von Kisten oder Verschlägen;
 - zum Anbringen von Transportsicherheitssystemen z.B. an Fahrzeugen und Wagen.
 - Ungeübten Personen ist die Benutzung des Werkzeugs zu untersagen.
 - Vergewissern Sie sich, dass keine Personen in der Nähe sind, bevor Sie mit dem Nageln beginnen. Versuchen Sie niemals, gleichzeitig von innen und außen zu nageln. Nägel können durchschlagen und/oder herausfliegen, was eine große Gefahr darstellt.
 - Achten Sie beim Arbeiten mit dem Werkzeug auf sicheren Stand und Gleichgewicht. Vergewissern Sie sich, dass sich bei Arbeiten an hochgelegenen Arbeitsplätzen keine Personen unterhalb aufhalten, und sichern Sie den Luftschlauch, um Gefahren zu verhüten, falls er plötzlich ruckt oder hängen bleibt.
 - Bewegen Sie sich beim Nageln auf Dächern und anderen hochgelegenen Orten in Vorwärtsrichtung. Wenn Sie sich rückwärts bewegen, können Sie leicht den Stand verlieren. Nageln Sie bei Arbeiten an senkrechten Flächen von oben nach unten. Dadurch ermüden Sie nicht so schnell beim Nageln.
 - Ein Nagel kann sich verbiegen oder im Werkzeug verklemmen, wenn Sie versehentlich auf einen anderen Nagel oder einen Knoten im Holz treffen. Der Nagel kann herausgeschleudert werden und jemanden treffen, oder das Werkzeug selbst kann gefährlich reagieren. Setzen Sie die Nägel mit Sorgfalt.
 - Lassen Sie das geladene Werkzeug oder den Kompressor nicht längere Zeit unter Druck in der Sonne liegen. Achten Sie darauf, dass am Ablageplatz des Werkzeugs kein Staub, Sand, Späne oder Fremdkörper in das Werkzeug eindringen.
 - Richten Sie die Auswurföffnung nicht auf in der Nähe befindliche Personen. Halten Sie Hände und Füße vom Bereich der Auswurföffnung fern.
 - Tragen Sie das Werkzeug bei angeschlossenem Luftschlauch nicht mit dem Finger am Auslöser, und übergeben Sie es in diesem Zustand auch nicht anderen Personen. Versehentliche Auslösung kann äußerst gefährlich sein.
 - Behandeln Sie das Werkzeug sorgfältig, da es unter hohem Druck steht, der gefährlich sein kann, falls ein Riss durch grobe Behandlung (Fallenlassen oder Anstoßen) verursacht wird. Versuchen Sie nicht, in das Werkzeug einzuritzen oder einzugravieren.
 - Brechen Sie den Nagelbetrieb sofort ab, wenn Sie einen Defekt oder etwas Ungewöhnliches am Werkzeug feststellen.
 - Trennen Sie stets den Luftschlauch ab und entfernen Sie alle Nägel:
9. Wenn das Werkzeug unbeaufsichtigt ist.



10. Bevor Sie Wartungs- oder Reparaturarbeiten durchführen.
 11. Bevor Sie einen Nagelstau beseitigen.
 12. Bevor Sie das Werkzeug zu einem anderen Ort transportieren.
- Führen Sie eine Reinigung und Wartung unmittelbar nach Abschluss der Arbeit durch. Halten Sie das Werkzeug stets in einwandfreiem Zustand. Schmieren Sie bewegliche Teile, um Rostbildung zu verhüten und Reibungsverschleiß zu minimieren. Säubern Sie alle Teile von Staub.
 - Nehmen Sie keine Änderungen am Werkzeug vor, die nicht von Makita genehmigt wurden.
 - Lassen Sie das Werkzeug regelmäßig von autorisierten Makita-Kundendienststellen überprüfen.
 - Um die SICHERHEIT und ZUVERLÄSSIGKEIT dieses Produkts zu gewährleisten, sollten Reparatur- und Wartungsarbeiten nur von autorisierten Makita-Kundendienstzentren unter ausschließlicher Verwendung von Makita-Originalersatzteilen ausgeführt werden.
 - Verwenden Sie nur das in dieser Anleitung angegebene Druckluftwerkzeugöl.
 - Schließen Sie das Werkzeug niemals an eine Druckluftleitung an, die den höchstzulässigen Luftdruck des Werkzeugs um 10% überschreitet. Vergewissern Sie sich, dass der vom Druckluftsystem gelieferte Luftdruck nicht den höchstzulässigen Luftdruck des Naglers überschreitet. Stellen Sie den Luftdruck anfänglich auf den niedrigeren Wert des empfohlenen zulässigen Drucks ein.
 - Versuchen Sie nicht, den Auslöser oder den Kontaktfuß mit Klebeband oder Draht gedrückt zu halten. Es kann sonst zu tödlichen oder schweren Verletzungen kommen.
 - Überprüfen Sie den Kontaktfuß gemäß der Anweisung in dieser Anleitung. Falls der Sicherheitsmechanismus nicht korrekt funktioniert, können Nägel versehentlich abgeschossen werden.

DIESE ANWEISUNGEN AUFBEWAHREN.

INSTALLATION

Wahl des Kompressors (Abb. 1)

Der Luftkompressor muss den Anforderungen von EN60335-2-34 entsprechen.

Wählen Sie einen Kompressor mit reichlicher Luftdruck- und Luftmengenleistung, um kosteneffizienten Betrieb zu gewährleisten. Das Diagramm zeigt die Beziehung zwischen Nagelfrequenz, anwendbarem Druck und Kompressor-Luftleistung.

Wenn der Nagelbetrieb beispielsweise mit einer Rate von ca. 50 Auslösungen pro Minute bei einem Druck von 1,76 MPa (17,6 bar) erfolgt, ist ein Kompressor mit einer Luftmengenleistung von über 90 Liter/Minute erforderlich.

Druckregler müssen verwendet werden, um den Luftdruck auf den Nenndruck des Werkzeugs zu begrenzen, wenn der Luftquellendruck den Nenndruck des Werkzeugs überschreitet. Eine Missachtung dieses Punkts kann zu schweren Verletzungen des Werkzeugbenutzers oder in der Nähe befindlicher Personen führen.

Wahl des Luftschlauchs (Abb. 2)

Verwenden Sie einen hochdruckfesten Luftschlauch.

Verwenden Sie einen möglichst dicken und kurzen Luftschlauch, um kontinuierlichen, effizienten Nagelbetrieb zu gewährleisten.

VORSICHT:

- Eine zu geringe Luftleistung des Kompressors oder ein Luftschlauch mit einer zu großen Länge oder einem zu kleinen Durchmesser in Bezug auf die Nagelfrequenz kann eine Abnahme der Eintreibleistung des Werkzeugs verursachen.

Schmierung

Um maximale Leistung zu gewährleisten, sollte der Luftsatz (Öler, Regler, Luftfilter) möglichst nahe am Werkzeug installiert werden. Stellen Sie den Öler so ein, dass er einen Tropfen Öl für jeweils 30 Nägel liefert. **(Abb. 3)** Wenn kein Luftsatz verwendet wird, ölen Sie das Werkzeug mit Druckluftwerkzeugöl, indem Sie 2 (zwei) bis 3 (drei) Tropfen in den Anschlussnippel geben. Dies sollte vor und nach dem Gebrauch erfolgen. Für eine einwandfreie Schmierung muss das Werkzeug ein paar Mal ausgelöst werden, nachdem das Druckluftwerkzeugöl eingegeben worden ist. **(Abb. 4)**

FUNKTIONSBESCHREIBUNG

VORSICHT:

- Trennen Sie stets den Schlauch ab, bevor Sie die Funktion des Werkzeugs einstellen oder überprüfen.

Einstellen der Nageltiefe (Abb. 5 u. 6)

VORSICHT:

- Trennen Sie stets den Schlauch ab, bevor Sie die Nageltiefe einstellen.

Falls die Nägel zu tief eingetrieben werden, drehen Sie den Einsteller im Uhrzeigersinn. Falls die Nägel zu flach eingetrieben werden, drehen Sie den Einsteller im Uhrzeigersinn.

Der Einstellbereich beträgt 0–6 mm. (Eine ganze Umdrehung entspricht einer Verstellung um 0,8 mm.)

Haken (Abb. 7)

VORSICHT:

- Trennen Sie stets den Schlauch ab, wenn Sie das Werkzeug mit dem Haken aufhängen.
- Hängen Sie das Werkzeug niemals an einen Hüftgürtel oder dergleichen. Es kann zu einer gefährlichen versehentlichen Auslösung kommen.

Der Haken ist praktisch, um das Werkzeug vorübergehend aufzuhängen. Der Haken kann auf beiden Seiten des Werkzeugs angebracht werden.

Wenn die Installationsposition geändert werden soll, entfernen Sie die Schraube mit einem Schraubendreher. Bringen Sie den Haken zur Installation auf der anderen Seite an, und sichern Sie ihn dann mit der Schraube.

Verwendung des Mundstückadapters (Abb. 8)

VORSICHT:

- Trennen Sie stets den Schlauch ab, bevor Sie den Mundstückadapter anbringen oder abnehmen.

Wenn Sie die Oberfläche des Werkstücks schützen möchten, bringen Sie den Mundstückadapter des Kontakttarms an.

Wenn Sie Werkstücke mit empfindlicher Oberfläche nageln, verwenden Sie den Mundstückadapter. Um den Mundstückadapter am Kontaktarm anzubringen, drücken Sie ihn auf den Kontaktarm, bis die Vorsprünge an drei Stellen im Inneren des Mundstückadapters in den drei Löchern des Kontaktarms sitzen.

MONTAGE

VORSICHT:

- Trennen Sie stets den Luftschlauch ab, bevor Sie den Nagler laden.

Beladen des Naglers

VORSICHT:

- Achten Sie darauf, dass der Magazinboden auf die korrekte Stufe für gebrauchte Nägel eingestellt ist.

Trennen Sie stets den Luftschlauch vom Werkzeug ab. Wählen Sie die für Ihre Arbeit geeigneten Nägel aus. Drücken Sie den Rasthebel nieder, um die Tür und den Magazindeckel zu öffnen. **(Abb. 9)**

Heben Sie den Magazinboden an, und drehen Sie ihn so, dass der Pfeil mit der Nagelgrößenanzeige auf dem Magazinboden auf den entsprechenden Teilstrich am Magazin zeigt. Falls das Werkzeug mit falsch eingestelltem Magazinboden betrieben wird, kann es zu schlechtem Nageltransport oder einer Funktionsstörung des Werkzeugs kommen. **(Abb. 10)**

Legen Sie die Nagelcoil auf den Magazinboden. Wickeln Sie die Coil so weit ab, dass die Nägel die Vorschubklaue erreichen. Platzieren Sie den ersten Nagel in den Treiberkanal und den zweiten Nagel in die Vorschubklaue. Platzieren Sie weitere abgewickelte Nägel auf den Zuführer. Schließen Sie den Magazindeckel vorsichtig, nachdem Sie sich vergewissert haben, dass die Nagelcoil korrekt in das Magazin eingelegt ist. **(Abb. 11)**

Anschließen des Luftschlauchs

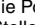
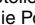
Schieben Sie die Anschlussmuffe des Luftschlauchs auf den Anschlussnippel des Naglers. Vergewissern Sie sich, dass die Anschlussmuffe fest einrastet, wenn sie auf den Anschlussnippel geschoben wird. Eine Schlauchkupplung muss so am Werkzeug oder in dessen Nähe installiert werden, dass der Druckvorrat abgelassen wird, wenn die Luftquellenkupplung abgetrennt wird.

BETRIEB

VORSICHT:

- Vergewissern Sie sich vor der Benutzung, dass alle Sicherheitssysteme in gutem Betriebszustand sind.
1. Um einen Nagel einzutreiben, setzen Sie den Kontaktfuß auf das Werkstück und ziehen den Auslöser, oder
 2. Ziehen Sie zuerst den Auslöser, und setzen Sie dann den Kontaktfuß auf das Werkstück. **(Abb. 12 u. 13)**
- Die Methode Nr. (1) eignet sich für absatzweises Nageln, wenn Sie einen Nagel sorgfältig und sehr genau eintreiben wollen. Die Methode Nr. (2) eignet sich für kontinuierliches Nageln.

VORSICHT:

- Ist das Werkzeug jedoch auf den Modus "Absatzweises Nageln" eingestellt, kann BEI HALB GEDRÜCKTEM AUSLÖSER eine plötzliche Auslösung erfolgen, falls der Kontaktfuß unter dem Einfluss des Rückpralls erneut mit dem Werkstück oder einer anderen Oberfläche in Berührung kommt. Um eine solche plötzliche Auslösung zu vermeiden, beachten Sie Folgendes:
 - A. Drücken Sie den Kontaktfuß nicht mit übermäßiger Kraft gegen das Werkstück.
 - B. Drücken Sie den Auslöser ganz durch, und halten Sie ihn nach dem Nageln noch 1 – 2 Sekunden lang gedrückt.
 - Stellen Sie den Umschalthebel für Methode Nr. (1) auf die Position .
 - Stellen Sie den Umschalthebel für Methode Nr. (2) auf die Position .
- Nachdem Sie die Nagelmethode mit dem Umschalthebel geändert haben, vergewissern Sie sich stets, dass der Umschalthebel korrekt auf die Position für die gewünschte Nagelmethode eingestellt ist. **(Abb. 14 u. 15)**

Nageln von Stahlblech (Abb. 16 u. 17)

WARNUNG:

- Verwenden Sie Stahlblech von 2,3 mm oder weniger für C-Profil-Stahl. Anderenfalls springt das Werkzeug heftig, und es kann zu Nagelrückschlag kommen, der ernsthafte Verletzungen verursachen kann.
- Verwenden Sie nur gehärtete Nägel für Stahlblech. Bei Verwendung anderer Nägel kann es zu ernsthaften Verletzungen kommen.
- Halten Sie das Werkzeug beim Nageln so, dass es senkrecht zur Eintreibfläche steht. Schräges Nageln kann zu Nagelrückschlag führen, der ernsthafte Verletzungen verursachen kann.
- Um Zinkwellblech auf C-Profil-Stahl zu befestigen, verwenden Sie Blech von maximal 0,7 mm Dicke und 32 mm lange gehärtete Nägel. Anderenfalls kann es zu Nagelrückschlag kommen, der ernsthafte Verletzungen verursachen kann.
- Verwenden Sie das Werkzeug nicht zum Nageln an Decken oder auf Dächern.

Wählen Sie anhand der nachstehenden Tabelle Nägel aus, die über 10 mm länger als die Gesamtdicke aller zu nagelnden Werkstücke sind.

Materialdicke (mm)	Nagellänge (mm)
1,8 – 22	32
10 – 27	38
15 – 30	45
15 – 38	50

VORSICHT:

- Je nach der Härte und Gesamtdicke aller zu nagelnden Werkstücke wird eventuell keine ausreichende Befestigung erzielt. Zu tiefes Nageln auf Stahlblech kann die Befestigungskraft stark reduzieren. Stellen Sie die Nageltiefe vor dem Nageln korrekt ein.
- Beim Nageln auf Stahlblech kann der Treiber aufgrund der Verschleißanfälligkeit zugesetzt werden. Wenn er abgenutzt ist, schärfen Sie ihn, oder ersetzen Sie ihn durch einen neuen.

Nageln in Beton (Abb. 18)

WARNUNG:

- Verwenden Sie nur gehärtete Nägel für Beton.
- Bei Verwendung anderer Nägel kann es zu ernsthaften Verletzungen kommen. Nageln Sie nicht direkt auf Beton, und verwenden Sie das Werkzeug auch nicht, um Stahlblech direkt auf Beton zu befestigen. Anderenfalls können Betonfragmente absplintern oder Nägel zurückschlagen, was ernsthafte Verletzungen verursachen kann.
- Halten Sie das Werkzeug beim Nageln so, dass es senkrecht zur Eintreibfläche steht. Schräges Nageln kann dazu führen, dass Betonfragmente absplintern oder Nägel zurückschlagen, was ernsthafte Verletzungen verursachen kann.
- Verwenden Sie das Werkzeug nicht auf Flächen, an denen Gegenstände hängen, z. B. Bereiche, an denen Aufhängungen für Abwasserrohre, Staubabsaugrohre usw. angebracht sind.

Wählen Sie die Nägel anhand der nachstehenden Tabelle so aus, dass die Eindringtiefe in Beton 10 mm – 15 mm beträgt.

Holzdicke (mm)	Nagellänge (mm)	Beton (mm)
20	32	ca. 12
25	38	ca. 13
30	45	ca. 15
35	50	ca. 15

VORSICHT:

- Verwenden Sie dieses Werkzeug nur für weichen Beton, der erst vor kurzem gegossen wurde. Bei Verwendung in hartem Beton kann es zu Verbiegung der Nägel oder unzureichender Eindringtiefe kommen.
- Beträgt die Eindringtiefe in Beton mehr als 15 mm, wird eventuell keine ausreichende Nageleintreiblänge erzielt.

Abschneiden der Folie (Abb. 19)

VORSICHT:

- Trennen Sie stets den Schlauch ab, bevor Sie die Folie abschneiden.

Reißen Sie die Ausgangsfolie in Pfeilrichtung ab, wenn Sie folienverbundene Nägel verwenden.

WARTUNG

VORSICHT:

- Trennen Sie stets den Luftschauch vom Werkzeug ab, bevor Sie Inspektions- oder Wartungsarbeiten ausführen.

Blockierter Nagler (Abb. 20 u. 21)

VORSICHT:

- Trennen Sie stets den Luftschauch ab, und nehmen Sie die Nägel aus dem Magazin heraus, bevor Sie eine Blockierung beseitigen.

Gehen Sie bei einer Blockierung des Naglers folgendermaßen vor:

Öffnen Sie den Magazineckel, und entnehmen Sie die Nagelcoil. Führen Sie eine kleine Stange oder dergleichen in die Auswurföffnung ein, und klopfen Sie mit einem Hammer darauf, um den klemmenden Nagel aus der Auswurföffnung auszutreiben. Legen Sie die Nagelcoil wieder ein, und schließen Sie den Magazineckel.

Entleeren des Werkzeugs

Trennen Sie den Schlauch vom Werkzeug ab. Halten Sie das Werkzeug so, dass der Anschlussnippel nach unten gerichtet ist. Entleeren Sie das Werkzeug so weit wie möglich.

Reinigen des Werkzeugs

Am Magnet haftender Eisenstaub kann mit einer Blaspistole weggeblasen werden.

Kappe (Abb. 22)

Wenn das Werkzeug nicht benutzt wird, ist der Schlauch abzutrennen. Verschließen Sie dann den Anschlussnippel mit der Kappe.

Lagerung

Bei Nichtbenutzung sollte der Nagler an einem warmen und trockenen Ort gelagert werden.

Wartung von Kompressor, Luftsatz und Luftschauch

Nach jedem Betrieb sollten Kompressortank und Luftfilter entleert werden. In das Werkzeug eingedrungene Feuchtigkeit kann eine Verschlechterung der Leistung und ein mögliches Versagen des Werkzeugs verursachen.

(Abb. 23 u. 24)

Prüfen Sie regelmäßig nach, ob genügend Druckluftöl im Öl des Luftsatzes vorhanden ist. Eine Vernachlässigung der Schmierung führt zu schnellem Verschleiß der O-Ringe. (Abb. 25)

Halten Sie den Luftschauch von Wärmequellen (über 60°C) und Chemikalien (Verdünner, starken Säuren oder Laugen) fern. Achten Sie auch darauf, dass sich der Schlauch nicht an Hindernissen verfängt, was während des Betriebs gefährlich sein kann.

Der Schlauch darf auch nicht mit scharfen Kanten oder Gegenständen in Berührung kommen, die eine Beschädigung oder Abrieb des Schlauchs verursachen können.

(Abb. 26)

Um die SICHERHEIT und ZUVERLÄSSIGKEIT dieses Produkts zu gewährleisten, sollten Reparaturen und andere Wartungs- oder Einstellarbeiten nur von autorisierten Makita-Kundendienstzentren unter ausschließlicher Verwendung von Makita-Originalersatzteilen ausgeführt werden.

ZUBEHÖR

VORSICHT:

- Die folgenden Zubehörteile oder Vorrichtungen werden für den Einsatz mit der in dieser Anleitung beschriebenen Makita-Maschine empfohlen. Die Verwendung anderer Zubehörteile oder Vorrichtungen kann eine Verletzungsgefahr darstellen. Verwenden Sie Zubehörteile oder Vorrichtungen nur für ihren vorgesehenen Zweck.

Wenn Sie weitere Einzelheiten bezüglich dieser Zubehörteile benötigen, wenden Sie sich bitte an Ihre Makita-Kundendienststelle.

- Nägel
- Luftschläuche
- Schutzbrille

Geräusch

Typischer A-bewerteter Geräuschpegel ermittelt gemäß EN792:

- Schalldruckpegel (L_{pA}): 86 dB (A)
- Schalleistungspegel (L_{WA}): 99 dB (A)
- Ungewissheit (K): 3 dB (A)

Gehörschutz tragen

ENG233-2

Vibration

Vibrationsemissionswert ermittelt gemäß EN792:

- Vibrationsemission (a_h): 3,0 m/s²
- Ungewissheit (K): 1,5 m/s²

ENG901-1

- Der angegebene Vibrationsemissionswert wurde im Einklang mit der Standardprüfmethode gemessen und kann für den Vergleich zwischen Maschinen herangezogen werden.
- Der angegebene Vibrationsemissionswert kann auch für eine Vorbewertung des Gefährdungsgrads verwendet werden.

WARNUNG:

- Die Vibrationsemission während der tatsächlichen Benutzung des Elektrowerkzeugs kann je nach der Benutzungsweise der Maschine vom angegebenen Emissionswert abweichen.
- Identifizieren Sie Sicherheitsmaßnahmen zum Schutz des Benutzers anhand einer Schätzung des Gefährdungsgrads unter den tatsächlichen Benutzungsbedingungen (unter Berücksichtigung aller Phasen des Arbeitszyklus, wie z. B. Ausschalt- und Leerlaufzeiten der Maschine zusätzlich zur Betriebszeit).

ENH003-11

Nur für europäische Länder**EG-Übereinstimmungserklärung**

Wir, die Firma Makita als verantwortlicher Hersteller, erklären, dass die folgende(n) Makita-Maschine(n):

Bezeichnung der Maschine: Baunagler
Modell-Nr./ Typ: AN610H

der Serienproduktion entstammen und

den folgenden europäischen Richtlinien entsprechen:

98/37/EG bis 28. Dezember 2009 und dann 2006/42/EG ab 29. Dezember 2009

und gemäß den folgenden Standards oder standardisierten Dokumenten hergestellt werden:

EN792

Die technische Dokumentation befindet sich im Bestand unserer autorisierten Vertretung in Europa, nämlich:

Makita International Europe Ltd.
Michigan Drive, Tongwell,
Milton Keynes, MK15 8JD, England

30. Januar 2009



Tomoyasu Kato
Direktor

Makita Corporation
3-11-8, Sumiyoshi-cho,
Anjo, Aichi, JAPAN

Visione generale

1 Uscita aria compressore al minuto	15 Sportello	28 Chiodo inchiodato alla profondità corretta
2 Frequenza di chiodatura (volte/min.)	16 Regolatore	29 Chiodo inchiodato troppo profondamente che deforma i pezzi
3 Regolatore	17 Piastrina di cambiamento	30 Lunghezza dei chiodi
4 Bassa	18 Freccia	31 Spessore del legno
5 Profonda	19 Guida chiodi	32 Gamma del cemento 10 – 15 mm
6 Troppo profonda	20 Alimentatore	33 Asticciola
7 A raso	21 Grilletto	34 Cacciaviute
8 Troppo bassa	22 Elemento di contatto	35 Tappo
9 Gancio	23 Leva di cambio	36 Rubinetto di scarico
10 Foro	24 0,7 mm o meno per la piastra di acciaio	37 Filtro aria
11 Sporgenza	25 Spessore del pezzo	38 Oliatore
12 Adattatore punta	26 10 mm o più	39 Olio pneumatico
13 Tappo della cartuccia	27 Acciaio a forma di C (spessore di 1,6 – 2,3 mm)	
14 Leva di chiusura		

DATI TECNICI (Istruzioni originali)

Modello	AN610H
Pressione aria	0,98 – 2,26 MPa (9,8 – 22,6 bar)
Lunghezza chiodi	Chiodi in bobina metallica 32 mm – 65mm Chiodi in bobina su foglio 32 mm – 65 mm
Capacità chiodi	Chiodi in bobina metallica 250 pezzi, 300 pezzi, 400 pezzi Chiodi in bobina su foglio 200 pezzi
Diametro minimo tubo	5,0 mm
Dimensioni (L x A x P)	282 mm x 277 mm x 136 mm
Peso netto	1,9 kg

- Per il nostro programma di ricerca e sviluppo continui, i dati tecnici sono soggetti a modifiche senza preavviso.
- I dati tecnici potrebbero differire a seconda del paese di destinazione del modello.
- Peso in base alla procedura EPTA 01/2003

Scopo prefissato

Questo utensile serve al lavoro preliminare in interni, come la chiodatura dei travicelli del pavimento o dei comuni puntoni e il lavoro di intelaiatura di alloggiamenti 2" x 4".

ENB109-1

ISTRUZIONI IMPORTANTI PER LA SICUREZZA

ATTENZIONE:
PER RIDURRE IL RISCHIO DI LESIONI PERSONALI, USANDO QUESTO UTENSILE BISOGNA SEMPRE OSSERVARE LE PRECAUZIONI DI BASE PER LA SICUREZZA COMPRESSE QUELLE SEGUENTI:


LEGGERE TUTTE LE ISTRUZIONI.

- Per la propria sicurezza personale e per il funzionamento e la manutenzione corretti dell'utensile, leggere questo manuale di istruzioni prima di usarlo.
- Portare sempre gli occhiali di protezione per proteggere gli occhi dalla polvere o dai chiodi.

ATTENZIONE:

È responsabilità del datore di lavoro di obbligare gli operatori dell'utensile e le persone nelle immediate vicinanze a portare occhiali di protezione.

- Indossare paraorecchi per proteggere le orecchie dal rumore di scarico. Indossare anche un casco. Indossare sempre abiti leggeri e aderenti. Le maniche devono essere abbottonate o rimboccate. Non si deve portare la cravatta.
- La fretta nel lavoro o lo sforzare l'utensile sono pericolosi. Maneggiare l'utensile con attenzione. Non usarlo sotto l'influenza di alcol, droghe e sostanze simili.
- Principi generali per il maneggiamento dell'utensile:
 1. Presupporre sempre che l'utensile contenga i chiodi.
 2. Non puntare l'utensile su di sé o sugli altri, che contenga o meno i chiodi.
 3. Non attivare l'utensile se non è appoggiato saldamente al pezzo.
 4. Rispettare l'utensile come uno strumento di lavoro.
 5. Non giocare con esso.
 6. Non tenere o trasportare l'utensile con un dito sul grilletto.
 7. Non caricare i chiodi nell'utensile quando uno qualsiasi dei controlli di funzionamento è attivato.
 8. Non far funzionare l'utensile con una fonte di alimentazione diversa da quella specificata nelle istruzioni per l'uso/sicurezza.
- Non si deve usare l'utensile se non funziona correttamente.

- A volte quando si usa l'utensile potrebbero volare delle scintille. Non usare l'utensile vicino a sostanze volatili e infiammabili, come benzina, solventi, vernici, gas, adesivi, ecc., perché possono accendersi ed esplodere causando lesioni serie.
 - L'area di lavoro deve essere sufficientemente illuminata per garantire operazioni sicure. L'area di lavoro deve essere pulita e senza rifiuti. Fare particolarmente attenzione a mantenere un buon equilibrio e i piedi bene appoggiati.
 - Nelle vicinanze ci deve essere soltanto chi lavora. I bambini devono sempre essere tenuti lontano.
 - Ci potrebbero essere delle norme locali sui rumori, che vanno rispettate mantenendo il livello del rumore entro i limiti prescritti. In certi casi, usare dei ripari per limitare il rumore.
 - Non giocare con l'elemento di contatto: Esso impedisce la scarica accidentale, per cui va mantenuto in posizione e non deve essere rimosso. Anche fissare il grilletto in posizione ON è molto pericoloso. Non si deve mai fissare il grilletto. Non usare l'utensile se una parte qualsiasi dei suoi controlli non può essere usata, è staccata, modificata o non funziona correttamente.
 - Per la sicurezza e la lunga vita dell'utensile, farlo funzionare con la pressione d'aria specificata di 0,98 – 2,26 MPa (9,8 – 22,6 bar). Non superare la pressione massima raccomandata di 2,26 MPa (22,6 bar). L'utensile non deve essere collegato a una fonte la cui pressione superi potenzialmente 3,39 MPa (33,9 bar).
 - Accertarsi che la pressione alimentata al sistema d'aria compressa non superi la pressione massima permessa dell'utensile di chiodatura. Regolare inizialmente la pressione dell'aria al valore più basso della pressione permessa raccomandata (vedere i DATI TECNICI).
 - L'utensile deve essere usato esclusivamente con aria compressa. Se come fonte di alimentazione dell'utensile si usa una bomboletta del gas (biossido di carbonio, ossigeno, azoto, idrogeno, aria, ecc.) o un gas combustibile (idrogeno, propano, acetilene, ecc.), esso esplosa causando lesioni serie.
 - Prima dell'uso, controllare sempre le condizioni generali dell'utensile e che non ci siano viti allentate. Stringerle come necessario.
 - Accertarsi che tutti i sistemi di sicurezza funzionino correttamente prima dell'uso. L'utensile non deve funzionare se si schiaccia soltanto il grilletto o si preme soltanto il braccio di contatto contro il legno. Esso deve funzionare soltanto quando si eseguono entrambe queste operazioni. Fare una prova senza i chiodi e con l'elemento di spinta completamente tirato.
 - Controllare con cura le pareti, i soffitti, i pavimenti e i tetti per evitare potenziali scosse elettriche, perdite di gas, esplosioni, ecc., causate dall'aver colpito fili elettrici sotto tensione, tubazioni o tubi del gas.
 - Usare soltanto i chiodi specificati in questo manuale. L'utilizzo di qualsiasi altro tipo di chiodi potrebbe causare il malfunzionamento dell'utensile.
 - Non si devono mai usare chiodatrici marcate con il simbolo "Non usare su impalcature, scale a pioli" per applicazioni specifiche, per esempio:
 - se il cambiamento del posto di chiodatura richiede l'utilizzo di impalcature, scale a pioli, montacarichi od altri materiali di costruzione, per esempio travi di legno.
 - per chiudere scatole o casse di legno.
- 
- sistemi di sicurezza per il trasporto, per es., su veicoli o vagoni.
 - Non far usare l'utensile da chi non lo sa usare.
 - Prima della chiodatura, accertarsi che non ci sia nessuno vicino. Non cercare di inchiodare allo stesso tempo da entrambi l'interno e l'esterno. I chiodi potrebbero trapassare e/o volare via, con grave pericolo.
 - Usando l'utensile, guardare dove si mettono i piedi e mantenersi in equilibrio. Accertarsi che sotto non ci sia nessuno quando si lavora in luoghi alti, e fissare il tubo dell'aria per evitare pericoli se c'è un movimento improvviso o se rimane impigliato.
 - Sui tetti ed altri luoghi alti, inchiodare spostandosi in avanti. È facile perdere l'appoggio dei piedi se si inchioda andando indietro. Per inchiodare una superficie perpendicolare, procedere dall'alto al basso. In questo modo le operazioni di chiodatura sono meno faticose.
 - Un chiodo potrebbe diventare storto o l'utensile incepparsi se si inchioda per sbaglio su un altro chiodo o su un nodo del legno. Il chiodo potrebbe venire scagliato e colpire qualcuno, o l'utensile stesso potrebbe reagire pericolosamente. Piazzare i chiodi con cura.
 - Non lasciare l'utensile carico o il compressore d'aria sotto pressione per un lungo periodo di tempo al sole. Fare attenzione che polvere, sabbia, trucioli od altre sostanze estranee non entrino nell'utensile nel posto dove viene lasciato.
 - Non puntare il foro di espulsione su qualcuno vicino. Tenere le mani e i piedi lontani dall'area del foro di espulsione.
 - Quando si è collegato il tubo dell'aria, non trasportare l'utensile con il dito sul grilletto o passarlo a qualcuno in questa condizione. L'espulsione accidentale dei chiodi può essere estremamente pericolosa.
 - Maneggiare l'utensile con attenzione, perché all'interno c'è un'alta pressione che può essere pericolosa se si causa una crepa maneggiandolo in modo sbagliato (facendolo cadere o se subisce un colpo). Fare attenzione a non intagliare o incidere l'utensile.
 - Smettere immediatamente la chiodatura se si nota qualcosa di sbagliato o fuori del comune nell'utensile.
 - Staccare sempre il tubo dell'aria e rimuovere tutti i chiodi:
 9. Lasciando incustodito l'utensile.
 10. Prima di eseguire un qualsiasi intervento di manutenzione o di riparazione.
 11. Prima di correggere un inceppamento.
 12. Prima di portare l'utensile in un altro luogo.
 - Eseguire la pulizia e la manutenzione subito dopo la fine del lavoro. Mantenere l'utensile in ottime condizioni. Lubrificare le parti mobili per evitare che si arrugginiscono e minimizzare l'usura causata dagli attriti. Togliere tutta la polvere dalle parti.
 - Non modificare l'utensile senza l'autorizzazione di Makita.
 - Richiedere l'ispezione periodica dell'utensile da un centro di assistenza Makita autorizzato.
 - Per mantenere la SICUREZZA e l'AFFIDABILITÀ del prodotto, la manutenzione e le riparazioni devono essere fatte da un centro di assistenza Makita autorizzato usando sempre ricambi Makita.
 - Usare soltanto l'olio pneumatico specificato in questo manuale.

- Non collegare mai l'utensile a una fonte d'aria compressa la cui pressione massima permessibile non può superare del 10% quella dell'utensile. Accertarsi che la pressione alimentata al sistema d'aria compressa non superi la pressione massima permessibile dell'utensile di chiodatura. Regolare inizialmente la pressione dell'aria al valore più basso della pressione permessibile raccomandata.
- Non cercare di mantenere il grilletto o l'elemento di contatto schiacciato con nastro adesivo o spago. C'è pericolo di morte o di lesioni gravi.
- Controllare sempre l'elemento di contatto secondo le istruzioni di questo manuale. I chiodi potrebbero venire espulsi accidentalmente se il meccanismo di sicurezza non funziona correttamente.

CONSERVARE QUESTE ISTRUZIONI.

INSTALLAZIONE

Selezione del compressore (Fig. 1)

Il compressore d'aria deve essere conforme ai requisiti EN60335-2-34.

Per un funzionamento efficiente, selezionare un compressore con una pressione e un'uscita dell'aria ampie. Il grafico mostra il rapporto tra la frequenza di chiodatura, la pressione applicabile e l'uscita d'aria del compressore. Perciò, se per esempio la chiodatura avviene a una velocità di circa 50 volte al minuto a una compressione di 1,76 Mpa (17,6 bar), è necessario un compressore con una uscita dell'aria di oltre 90 litri/minuto.

Per limitare la pressione dell'aria alla pressione nominale dell'utensile se la pressione di alimentazione dell'aria supera la pressione nominale, bisogna usare regolatori di pressione. In caso contrario, c'è pericolo di lesioni serie per l'operatore e per chi è vicino.

Selezione del tubo dell'aria (Fig. 2)

Usare una manica d'aria resistente all'alta pressione.

Per assicurare un'operazione di chiodatura efficiente e continua, usare un tubo dell'aria quanto più grande e corto possibile.

ATTENZIONE:

- Una bassa uscita dell'aria del compressore, o un tubo dell'aria lungo o con un diametro interno più piccolo in rapporto alla frequenza di chiodatura, potrebbero causare una diminuzione delle capacità dell'utensile.

Lubrificazione

Per garantire le massime prestazioni, installare un gruppo aria (oliatore, regolatore, filtro aria) quanto più vicino possibile all'utensile. Regolare l'oliatore in modo che venga fornita una goccia d'olio ogni 30 chiodi. (Fig. 3)

Se non si usa un gruppo aria, oliare l'utensile con l'olio pneumatico mettendo 2 o 3 gocce nell'elemento dell'aria. Ciò va fatto prima e dopo l'uso. Per la lubrificazione corretta, l'utensile deve essere usato un paio di volte dopo l'introduzione dell'olio pneumatico. (Fig. 4)

DESCRIZIONE DEL FUNZIONAMENTO

ATTENZIONE:

- Staccare sempre il tubo prima di regolare o di controllare il funzionamento dell'utensile.

Regolazione della profondità di chiodatura (Fig. 5 e 6)

ATTENZIONE:

- Staccare sempre il tubo prima di regolare la profondità di chiodatura.

Se i chiodi vengono inchiodati troppo profondamente, girare il regolatore in senso orario. Se i chiodi vengono inchiodati troppo bassi, girare il regolatore in senso antiorario.

La gamma di regolazione è di 0 – 6 mm. (Un giro intero permette una regolazione di 0,8 mm.)

Gancio (Fig. 7)

ATTENZIONE:

- Staccare sempre il tubo prima di appendere l'utensile usando il gancio.
- L'utensile non va mai appeso alla cintura od altro posto simile. C'è pericolo di un incendio accidentale.

Il gancio è comodo per appendere temporaneamente l'utensile. Questo gancio può essere installato ad entrambi i lati dell'utensile.

Quando si cambia la posizione di installazione, rimuovere la vite con un cacciavite. Installare il gancio su un altro lato per l'installazione e fissarlo poi con la vite.

Usare l'adattatore della punta (Fig. 8)

ATTENZIONE:

- Staccare sempre il tubo prima di installare o di rimuovere l'adattatore della punta.

Se si desidera proteggere la superficie del pezzo, attaccare l'adattatore della punta al braccio di contatto.

Per la chiodatura dei pezzi con superfici facilmente rovinabili, usare l'adattatore della punta. Per attaccare l'adattatore della punta al braccio di contatto, premerlo sul braccio di contatto finché la sporgenza in tre punti all'interno dell'adattatore della punta entra in tre fori del braccio di contatto.

MONTAGGIO

ATTENZIONE:

- Staccare sempre il tubo prima di caricare la chiodatrice.

Caricamento della chiodatrice

ATTENZIONE:

- Accertarsi che la piastrina di supporto della bobina sia regolata al passo corretto per i chiodi usati.

Staccare la manica d'aria dall'utensile.

Selezionare i chiodi adatti al lavoro. Schiacciare la leva di chiusura e aprire lo sportello e il tappo della cartuccia. (Fig. 9)

Sollevarlo e girare la piastrina di supporto della bobina, in modo che la freccia con le dimensioni dei chiodi indicate sulla piastrina di supporto della bobina sia puntata sull'incremento di graduazione segnato sulla cartuccia. Se si fa funzionare l'utensile con la piastrina di supporto della bobina posizionata sul passo sbagliato, i chiodi vengono alimentati malamente o si potrebbe verificare un malfunzionamento dell'utensile. (Fig. 10)

Mettere la bobina dei chiodi sulla piastrina di supporto della bobina. Sbobinare chiodi sufficienti in modo da raggiungere il dente di alimentazione. Mettere il primo chiodo nel canale della chiodatrice e il secondo nel dente di alimentazione.

Mettere gli altri chiodi sbobinati nel corpo dell'alimentatore. Chiudere lentamente il tappo della cartuccia finché si blocca dopo aver controllato che la bobina dei chiodi sia sistemata correttamente nella cartuccia. (Fig. 11)

Collegamento del tubo dell'aria

Inserire la presa d'aria del tubo dell'aria sull'elemento dell'aria della chiodatrice. Accertarsi che la presa d'aria sia fissata saldamente in posizione quando è installata sull'elemento dell'aria. Bisogna installare un accoppiatore del tubo su o vicino all'utensile in modo che il serbatoio della pressione si scarichi quando l'accoppiatore di alimentazione dell'aria viene staccato.

FUNZIONAMENTO

ATTENZIONE:

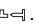
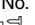
- Accertarsi che tutti i sistemi di sicurezza funzionino correttamente prima dell'uso.

1. Per conficcare un chiodo, mettere l'elemento di contatto contro il pezzo e schiacciare il grilletto. Oppure
 2. Schiacciare prima il grilletto e mettere poi l'elemento di contatto contro il pezzo. (Fig. 12 e 13)
- Quando metodo No. (1) è per la chiodatura intermittente, quando si desidera conficcare un chiodo con molta cura e precisione. Il metodo No. (2) è per la chiodatura continua.

ATTENZIONE:

- Quando però l'utensile è regolato nella modalità di "chiodatura intermittente" CON IL GRILLETTO PREMUTO A METÀ, si potrebbe verificare una chiodatura inaspettata se si lascia che l'elemento di contatto faccia di nuovo contatto con il pezzo o altra superficie sotto l'effetto del contraccolpo.

Per evitare queste chiodature inaspettate, procedere come segue:

- A. Non mettere l'elemento di contatto sul pezzo con forza eccessiva.
 - B. Schiacciare completamente il grilletto e mantenerlo schiacciato per 1 o 2 secondi dopo la chiodatura.
- Per il metodo No. (1), posizionare la leva di cambiamento su .
 - Per il metodo No. (2), posizionare la leva di cambiamento su .
- Dopo aver usato la leva di cambiamento per cambiare il metodo di chiodatura, accertarsi sempre che la leva di cambiamento sia regolata sulla posizione corretta per il metodo di chiodatura desiderato. (Fig. 14 e 15)

Chiodatura di una piastra di acciaio (Fig. 16 e 17)

ATTENZIONE:

- Usare 2,3 mm o meno di acciaio a forma di C. L'utensile rimbalza con forza e il chiodo colpisce indietro causando ferite.
- Usare chiodi induriti soltanto per le piastre di acciaio. L'impiego di chiodi per altri scopi potrebbe causare lesioni gravi.

- Quando si procede alla chiodatura, tenere l'utensile in modo che sia diritto sulla superficie da inchiodare. La chiodatura storta potrebbe far rimbalzare i chiodi causando lesioni gravi.
- Per la chiodatura su piastre di zinco corrugate su acciaio a forma di C, usare piastre di 0,7 mm di spessore o meno e chiodi induriti di 32 mm di lunghezza. Se non si fa ciò, i chiodi potrebbero rimbalzare indietro causando lesioni gravi.
- Non usare l'utensile per la chiodatura sul soffitto o sul tetto.

Scegliere e usare chiodi di una lunghezza di 10 mm maggiore dello spessore del pezzo da chiodare, con riferimento alla tabella seguente.

Spessore del materiale (mm)	Lunghezza dei chiodi (mm)
1,8 – 22	32
10 – 27	38
15 – 30	45
15 – 38	50

ATTENZIONE:

- A seconda della durezza e dello spessore totale di tutti i pezzi in combinazione da inchiodare, potrebbe non essere possibile ottenere una chiodatura sufficiente. La chiodatura di piastre di acciaio a una profondità eccessiva potrebbe ridurre estremamente la forza di serraggio. Prima di eseguire la chiodatura, regolare correttamente la profondità di chiodatura.
- Quando si inchiodano le piastre di acciaio, il canale della chiodatrice potrebbe intasarsi a causa della sua suscettibilità all'usura. Quando è usurato, affilarlo o sostituirlo con un altro nuovo.

Chiodatura del cemento (Fig. 18)

AVVERTIMENTO:

- Usare chiodi induriti soltanto per il cemento.
- L'impiego di chiodi per altri scopi potrebbe causare lesioni gravi. Non inchiodare direttamente sul cemento o fissare direttamente le piastre di acciaio al cemento. In caso contrario, frammenti di cemento potrebbero schizzare via o i chiodi rimbalzare causando lesioni gravi.
- Quando si procede alla chiodatura, tenere l'utensile in modo che sia diritto sulla superficie da inchiodare. La chiodatura storta potrebbe far schizzare dei frammenti di cemento o far rimbalzare i chiodi causando lesioni gravi.
- Non usare l'utensile su superfici dove sono appesi oggetti, come le aree dove ci sono supporti per fognature, condotti per la polvere, ecc.

Scegliere e usare chiodi la cui penetrazione nel cemento sia di 10 – 15 mm con riferimento alla tabella seguente.

Spessore del legno (mm)	Lunghezza dei chiodi (mm)	Cemento (mm)
20	32	12 circa
25	38	13 circa
30	45	15 circa
35	50	15 circa

ATTENZIONE:

- Usare questo utensile soltanto per il cemento morbido che è stato prodotto recentemente. L'utilizzo sul cemento duro potrebbe far piegare i chiodi o inchiodare a una profondità insufficiente.
- Se la penetrazione nel cemento è maggiore di 15 mm, potrebbe non essere possibile una chiodatura della lunghezza sufficiente.

Taglio dei fogli (Fig. 19)

ATTENZIONE:

- Staccare sempre il tubo d'aria prima di tagliare i fogli.

Strappar via il foglio di uscita nella direzione della freccia quando si usano chiodi incollati su fogli.

MANUTENZIONE

ATTENZIONE:

- Staccare sempre il tubo dell'aria dall'utensile prima di eseguire l'ispezione o la manutenzione.

Chiodatrice inceppata (Fig. 20 e 21)

ATTENZIONE:

- Staccare sempre il tubo d'aria e rimuovere i chiodi dalla cartuccia prima di correggere un inceppamento.

Se la chiodatrice si inceppa, procedere come segue.

Aprire il tappo della cartuccia e rimuovere la bobina dei chiodi. Inserire una piccola asta o altro oggetto simile nel foro di espulsione e dare dei colpi con un martello per far uscire il chiodo inceppato dal foro di espulsione. Rimettere a posto la bobina dei chiodi e chiudere il tappo della cartuccia.

Utensile di scarico

Staccare il tubo d'aria dall'utensile. Mettere l'utensile in modo che l'elemento dell'aria sia rivolto sul pavimento. Scaricare quanto più possibile.

Pulizia dell'utensile

La polvere di ferro attaccata alla calamita può essere soffiata via usando aria compressa.

Tappo (Fig. 22)

Quando l'utensile non viene usato, bloccare il grilletto e staccare il tubo d'aria. Coprire poi l'elemento dell'aria con il tappo.

Conservazione

Quando non viene usata, la chiodatrice deve essere conservata in un posto caldo e asciutto.

Manutenzione del compressore, gruppo e tubo aria

Dopo il lavoro, scaricare sempre il serbatoio del compressore e il filtro dell'aria. Se nell'utensile entra dell'umidità, si potrebbe verificare uno scadimento delle prestazioni ed anche un guasto dell'utensile. (Fig. 23 e 24)

Controllare regolarmente che ci sia olio pneumatico sufficiente nell'oliatore del gruppo aria. La lubrificazione insufficiente causa la rapida usura degli anelli di tenuta. (Fig. 25)

Tenere il tubo dell'aria lontano dal calore (oltre 60°C) e dalle sostanze chimiche (solventi, acidi o alcali forti). Disporre il tubo dove non ci sono ostacoli sui quali potrebbe pericolosamente impigliarsi durante il lavoro. I tubi devono anche essere tenuti lontano dai bordi taglienti e dai posti che potrebbero danneggiarli o causarne l'abrasione. (Fig. 26)

Per mantenere la SICUREZZA e l'AFFIDABILITÀ del prodotto, qualsiasi altra manutenzione o regolazione deve essere fatta da un centro di assistenza Makita autorizzato usando sempre ricambi Makita.

ACCESSORI

ATTENZIONE:

- Per l'utensile specificato in questo manuale, si consigliano questi accessori o ricambi. L'utilizzo di altri accessori o ricambi può costituire un pericolo. Usare soltanto gli accessori o ricambi specificati per il loro utilizzo.

Per maggiori dettagli e l'assistenza, rivolgersi al Centro Assistenza Makita locale.

- Chiodi
- Tubi aria
- Occhiali di sicurezza

Rumore

Il tipico livello di rumore pesato A determinato secondo EN792:

Livello pressione sonora (L_{pA}): 86 dB (A)

Livello potenza sonora (L_{WA}): 99 dB (A)

Incertezza (K): 3 dB (A)

Indossare i paraorecchi

ENG102-3

Vibrazione

Il valore emissione di vibrazione determinato secondo EN792:

Emissione di vibrazione (a_{h1}): 3,0 m/s²

Incertezza (K): 1,5 m/s²

ENG233-2

ENG901-1

- Il valore di emissione delle vibrazioni dichiarato è stato misurato conformemente al metodo di test standard, e può essere usato per paragonare un utensile con un altro.
- Il valore di emissione delle vibrazioni dichiarato può anche essere usato per una valutazione preliminare dell'esposizione.

AVVERTIMENTO:

- L'emissione delle vibrazioni durante l'uso reale dell'utensile elettrico può differire dal valore di emissione dichiarato a seconda dei modi in cui viene usato l'utensile.
- Identificare le misure di sicurezza per la protezione dell'operatore basate sulla stima dell'esposizione nelle condizioni reali d'utilizzo (tenendo presente tutte le parti del ciclo operativo, come le volte in cui l'utensile viene spento e quando gira a vuoto, oltre al tempo di funzionamento).

Modello per l'Europa soltanto

Dichiarazione CE di conformità

Noi della Makita Corporation, come produttori responsabili, dichiariamo che le macchine Makita seguenti:

Designazione della macchina: Chiodatrice a bobina
Modello No./Tipo: AN610H
sono una produzione di serie e

conformi alle direttive europee seguenti:

98/37/CE fino al 28 dicembre 2009 e poi 2006/42/
CE dal 29 dicembre 2009

E sono fabbricate conformemente ai seguenti standard o documenti standardizzati:

EN792

La documentazione tecnica è tenuta dal nostro rappresentante autorizzato in Europa, che è:

Makita International Europe Ltd.
Michigan Drive, Tongwell,
Milton Keynes, MK15 8JD, England

30 gennaio 2009



Tomoyasu Kato
Amministratore

Makita Corporation
3-11-8, Sumiyoshi-cho,
Anjo, Aichi, JAPAN

Verklaring van algemene gegevens

1 Compressor luchtopbrengst per minuut	16 Afstellen	29 Nagel is te diep geschoten, waardoor het werkstuk is vervormd
2 Aandrijffrequentie (keer/minuut)	17 Rolsteunplaat	30 Nagellengte
3 Stelknop	18 Pijl	31 Dikte van het hout
4 Ondiep	19 Nagelgeleider	32 Dikte van beton 10 – 15 mm
5 Diep	20 Toevoer	33 Dunne stang
6 Te diep	21 Trekker	34 Schroevendraaier
7 Vlak	22 Contactelement	35 Dop
8 Te ondiep	23 Keuzehendel	36 Aftapkraan
9 Haak	24 0,7 mm of minder dik voor staalplaat	37 LuchtfILTER
10 Gat	25 Totale dikte van werkstuk	38 Oliëspuit
11 Uitsteeksel	26 10 mm of meer	39 Pneumatische olie
12 Neusadapter	27 Stalen C-profiel (dikte 1,6 mm – 2,3 mm)	
13 Magazijnkap	28 Nagel is op de juiste diepte geschoten	
14 Vergrendelingshendel		
15 Deur		

TECHNISCHE GEGEVENS (Originele instructies)

Model	AN610H
Luchtdruk	0,98 – 2,26 MPa (9,8 – 22,6 bar)
Nagellengte	Draad-type nagelrol 32 mm – 65 mm Band-type nagelrol 32 mm – 65 mm
Capaciteit nagelmagazijn	Draad-type nagelrol 250 st., 300 st., 400 st. Band-type nagelrol 200 st.
Min. diameter slang	5,0 mm
Afmetingen (L x H x B)	282 mm x 277 mm x 136 mm
Netto gewicht	1,9 kg

- In verband met ononderbroken research en ontwikkeling behouden wij ons het recht voor bovenstaande technische gegevens te wijzigen zonder voorafgaande kennisgeving.
- De technische gegevens kunnen van land tot land verschillen.
- Gewicht volgens de EPTA-procedure 01/2003

Doeleinden van gebruik

Dit gereedschap is bedoeld voor preliminair binnenwerk zoals het bevestigen van kinderbalken of daksparren en houtwerk in 2" x 4" huizen.

ENB109-1

BELANGRIJKE VEILIGHEIDSVORSCHRIFTEN

WAARSCHUWING:

BIJ HET GEBRUIK VAN DIT GEREEDSCHAP DIENEN DE BASISVEILIGHEIDSMATREGELEN, INCLUSIEF DE ONDERSTAANDE MAATREGELEN, ALTIJD TE WORDEN OPGEVOLGD OM HET GEVAAR VOOR VERWONDINGEN TE BEPERKEN:

LEES ALLE VOORSCHRIFTEN.

- Om uw persoonlijke veiligheid en een correcte bediening en onderhoud van het gereedschap te verzekeren, dient u deze gebruiksaanwijzing te lezen voordat u het gereedschap in gebruik neemt.
- Draag altijd een veiligheidsbril om uw ogen te beschermen tegen stof en mogelijke verwonding door nagels.

WAARSCHUWING:

Het is de verantwoordelijkheid van de werkgever erop toe te zien dat de gebruikers van het gereedschap en andere personen die zich dicht bij de werkplek bevinden altijd oogbescherming dragen.

- Draag hoofdbescherming en ook oorbescherming om uw gehoor tegen het uitlaatgeluid te beschermen. Draag lichte, nauwsluitende kleding. Mouwen dienen dichtgeknoopt of opgerold te worden. De gebruiker van het gereedschap mag geen das dragen.
- Overhaast te werk gaan of het gereedschap forceren is gevaarlijk. Hanteer het gereedschap voorzichtig. Gebruik het gereedschap niet onder invloed van alcohol, drugs en dergelijke.
- Algemene richtlijnen voor het hanteren van het gereedschap:
 1. Neem altijd aan dat er nagels in het gereedschap zijn geladen.
 2. Richt het gereedschap nooit op uzelf of op anderen, ongeacht of er nagels in het gereedschap zijn geladen of niet.
 3. Activeer het gereedschap niet tenzij het stevig tegen het werkstuk is geplaatst.
 4. Hanteer het gereedschap altijd als een werktuig.
 5. Ravot niet met het gereedschap.
 6. Houd of draag het gereedschap nooit met uw vinger op de trekker.
 7. Laad nooit nagels in het gereedschap terwijl een van de bedieningsschakelaars geactiveerd is.

8. Gebruik het gereedschap niet op een andere krachtbron behalve de krachtbron die in de gebruiks-/veiligheidsvoorschriften is opgegeven.
- Een slecht werkend gereedschap mag niet worden gebruikt.
 - Tijdens het gebruik van het gereedschap worden er soms vonken voortgebracht. Gebruik het gereedschap daarom niet in de nabijheid van vluchtige, ontvlambare materialen zoals benzine, verdunder, verf, gas, lijm, enz. Deze materialen zouden kunnen ontbranden of ontploffen en zware verwondingen veroorzaken.
 - Werk altijd in een goed verlichte ruimte om een veilig gebruik te verzekeren. Houd de werkomgeving schoon en vrij van rommel. Let vooral goed op dat u stevige steun voor de voeten hebt en uw evenwicht behoudt.
 - Alleen personen die direct bij het werk betrokken zijn mogen in de werkomgeving komen. Vooral kinderen dienen altijd uit de buurt te worden gehouden.
 - Alle plaatselijke wetten betreffende de geluidshinder dienen te worden nageleefd door het geluidsniveau van het gereedschap binnen de voorgeschreven limieten te houden. In bepaalde gevallen dienen luiken te worden gebruikt om de geluidshinder te beperken.
 - Knoei niet met het contactelement. Dit element voorkomt het toevallig afladen van het gereedschap en dient daarom steeds op zijn plaats te zijn aangebracht. De trekker vastzetten in de AAN positie is ook zeer gevaarlijk. Probeer nooit om de trekker vast te zetten. Gebruik het gereedschap niet indien een van de bedieningsschakelaars niet werkt, niet goed is aangesloten, gewijzigd werd, of niet goed functioneert.
 - Gebruik het gereedschap binnen de voorgeschreven luchtdruk van 0,98 – 2,26 MPa (9,8 – 22,6 bar) om een veilige werking en een langere levensduur te verzekeren. Overschrijd de aanbevolen maximale druk van 2,26 MPa (22,6 bar) niet. Het gereedschap mag niet worden aangesloten op een bron die een druk voortbrengt van mogelijk meer dan 3,39 MPa (33,9 bar).
 - Zorg dat de druk die door het luchtdruksysteem wordt voortgebracht niet hoger is dan de maximaal toelaatbare druk van de nagelaandrijver. Stel de luchtdruk aanvankelijk in op de minimumwaarde van de aanbevolen toelaatbare druk (zie TECHNISCHE GEGEVENS).
 - Gebruik uitsluitend perslucht als de krachtbron voor het gereedschap. Indien gas in flessen (kooldioxide, zuurstof, stikstof, waterstof, lucht, e.d.) of brandbaar gas (waterstof, propaan, acetylene, e.d.) als de krachtbron voor dit gereedschap wordt gebruikt, zal het gereedschap ontploffen en ernstige verwonding veroorzaken.
 - Controleer vóór het gebruik altijd of het gereedschap in goede staat is en alle schroeven stevig zijn aangedraaid. Trek de schroeven zodanig aan.
 - Controleer vóór het gebruik of alle veiligheidsinrichtingen normaal functioneren. Het gereedschap mag niet werken indien enkel de trekker wordt ingedrukt of enkel de contactarm tegen het hout wordt gedrukt. Het gereedschap mag alleen werken wanneer beide handelingen achtereenvolgend worden uitgevoerd. Controleer op mogelijk foutieve werking zonder dat er nagels zijn geladen en met de stoter in de volledig ingetrokken positie.
 - Controleer muren, plafonds, vloeren, dakbalken e.d. zorgvuldig op eventueel aanwezige elektrische bedrading, leidingbuizen of gasleidingen, om het gevaar voor elektrische schok, gaslekkage, explosies e.d. te voorkomen.
 - Gebruik uitsluitend de nagels die in deze gebruiksaanwijzing zijn gespecificeerd. Het gebruik van andere soorten nagels kan defect van het gereedschap veroorzaken.
 - Nagelaandrijvers die voorzien zijn van de waarschuwing "Niet gebruiken op stellingen, ladders, enz." mogen nooit worden gebruikt voor specifieke werkzaamheden zoals de volgende:
 - gebruikmaken van stellingen, een trap, ladders, of een structuur zoals daklatten, om nagels op verschillende plaatsen in te drijven;
 - houten kisten of kratten dichtnagelen;
 - transportveiligheidssystemen e.d. vastzetten op een voertuig of vrachtwagen.
 - Sta niet toe dat onbevoegden het gereedschap gebruiken.
 - Controleer of er zich niemand in de buurt bevindt alvorens te nagelen. Probeer nooit om nagels vanaf zowel de binnenzijde als de buitenzijde in te drijven. De nagels kunnen het werkstuk openrijten en/of eruit schieten, hetgeen bijzonder gevaarlijk is.
 - Let op uw stappen en behoud uw evenwicht wanneer u het gereedschap gebruikt. Controleer of er zich niemand beneden u bevindt wanneer u op hoge plaatsen gaat werken, en klem de luchtslang stevig vast om gevaarlijke situaties, veroorzaakt door een plotselinge ruk aan de slang of het blijven haken ervan, te voorkomen.
 - Wanneer u op daken of andere hoge plaatsen werkt, dient u te nagelen terwijl u voorwaarts beweegt. Als u nagelt terwijl u achterwaarts beweegt, kunt u gemakkelijk uw evenwicht verliezen. Wanneer u nagelt in een loodrecht oppervlak, dient u te nagelen vanaf de bovenkant naar de onderkant. Het werk is dan minder vermoeiend.
 - Als u per ongeluk een nagel vlak op een andere nagel aandrijft of met het gereedschap op een knoest in het hout stoot, zal de nagel krommen of kan het gereedschap vastlopen. De nagel kan ook weggeslingerd worden en iemand raken, of het gereedschap kan gevaarlijk terugslaan. Wees daarom voorzichtig bij het kiezen van de plaatsen waar u nagelt.
 - Laat het geladen gereedschap of de op druk gezette luchtcompressor niet voor lange tijd in de zon liggen. Laat het gereedschap niet achter op een plaats waar stof, zand, spanen en verontreinigingen erin kunnen terechtkomen.
 - Richt de uitwerpopening van het gereedschap niet op personen in de nabijheid. Houd uw handen en voeten uit de buurt van de uitwerpopening.
 - Wanneer de luchtslang is aangesloten, mag u het gereedschap niet met uw vinger op de trekker dragen of het in deze staat aan iemand anders overhandigen. Toevallige ontlading van het gereedschap kan uiterst gevaarlijk zijn.



- Behandel het gereedschap voorzichtig. De hoge druk in het gereedschap kan gevaar opleveren indien er scheuren in het gereedschap komen ten gevolge van ruwe behandeling (het gereedschap laten vallen of het tegen iets stoten). Kerf of graveer niets op het gereedschap.
- Stop onmiddellijk met nagelen wanneer u vaststelt dat het gereedschap niet goed of abnormaal werkt.
- Maak altijd de luchtslang los en haal alle nagels uit het gereedschap:
 9. Voordat u het gereedschap alleen achterlaat.
 10. Alvorens te beginnen met onderhoud of reparatie.
 11. Alvorens een vastgelopen gereedschap vrij te maken.
 12. Alvorens het gereedschap naar een andere plaats te brengen.
- Telkens nadat het werk is voltooid, dient u het gereedschap schoon te maken en te onderhouden. Houd het gereedschap in tip-top-conditie. Smeer de bewegende onderdelen om roesten te voorkomen en slijtage door wrijving tot een minimum te beperken. Veeg alle stof op de onderdelen van het gereedschap eraf.
- Wijzig het gereedschap niet zonder de toestemming van Makita.
- Laat de periodieke inspectie van het gereedschap uitvoeren door een erkend Makita servicecentrum.
- Om de VEILIGHEID en BETROUWBAARHEID van het gereedschap te handhaven, dienen alle onderhoud en reparaties te worden uitgevoerd door een erkend Makita servicecentrum, en altijd met gebruikmaking van Makita vervangingsonderdelen.
- Gebruik uitsluitend de olie voor pneumatisch gereedschap die in deze gebruiksaanwijzing is gespecificeerd.
- Sluit het gereedschap nooit aan op een persluchtleiding waar de maximaal toelaatbare druk van het gereedschap niet met 10% kan worden overschreden. Zorg dat de druk die door het luchtdrukstelsel wordt voortgebracht niet hoger is dan de maximaal toelaatbare druk van de nagelaandrijver. Stel de luchtdruk aanvankelijk in op de minimumwaarde van de aanbevolen toelaatbare druk.
- Probeer nooit om de trekker of het contactelement door middel van plakband of een draad in de ingedrukte stand vast te zetten. Dit is levensgevaarlijk en kan zware verwondingen veroorzaken.
- Controleer altijd het contactelement zoals in deze gebruiksaanwijzing is voorgeschreven. Nagels kunnen per ongeluk worden aangedreven indien het veiligheidsmechanisme niet juist functioneert.

BEWAAR DEZE VOORSCHRIFTEN.

INSTALLEREN

Kiezen van de compressor (Fig. 1)

De luchtcompressor moet voldoen aan de vereisten van EN60335-2-34.

Gebruik een compressor die ruimschoots voldoende druk en luchtopbrengst levert om een rendabele werking te verzekeren. De grafiek toont de verhouding tussen de aandrijffrequentie, de toepasselijke druk en de luchtopbrengst van de compressor.

Bij voorbeeld, wanneer u nagelt met een frequentie van ongeveer 50 keer per minuut bij een druk van 1,76 MPa (17,6 bar), is een compressor met een luchtopbrengst van meer dan 90 liter/minuut vereist.

Wanneer de aangevoerde luchtdruk de nominale druk van het gereedschap overschrijdt, dienen drukregelaars te worden gebruikt om de luchtdruk te verlagen tot de nominale druk. Als u dit niet doet, bestaat er gevaar voor ernstige verwonding van de gebruiker van het gereedschap of andere personen in de nabijheid.

Kiezen van de luchtslang (Fig. 2)

Gebruik een persluchtslang.

Gebruik een zo breed mogelijke en zo kort mogelijke luchtslang om een continue en effectieve aandrijving te verzekeren.

LET OP:

- Een lage luchtopbrengst van de compressor, een te lange luchtslang of een luchtslang met een kleinere diameter in verhouding tot de aandrijffrequentie, kunnen leiden tot een verminderd aandrijfvermogen van het gereedschap.

Smering

Om optimale prestaties te krijgen dient een luchtset (oliespuit, reguleur, luchtfilter) zo dicht mogelijk bij het gereedschap te worden geïnstalleerd. Stel de oliespuit zodanig af dat één druppel olie voor iedere 30 nagels zal worden ingespoten. (Fig. 3)

Wanneer u geen luchtset gebruikt, dient u het gereedschap te smeren met olie voor pneumatisch gereedschap door 2 (twee) of 3 (drie) druppels olie in de luchtinlaat aan te brengen. Doe dit zowel vóór als na het gebruik. Om een goede smering te verzekeren dient u het gereedschap na het aanbrengen van de olie een paar keer af te laden. (Fig. 4)

BESCHRIJVING VAN DE FUNCTIES

LET OP:

- Koppel altijd de persluchtslang los alvorens functies op het gereedschap af te stellen of te controleren.

De nageldiepte instellen (Fig. 5 en 6)

LET OP:

- Koppel altijd de persluchtslang los voordat u de nageldiepte instelt.

Als de nagel te diep wordt geschoten, draait u de stelknop rechtsom. Als de nagel te ondiep wordt geschoten, draait u de stelknop linksom.

Het instelbereik is van 0 - 6 mm (een volledige slag komt overeen met 0,8 mm).

Haak (Fig. 7)

LET OP:

- Koppel altijd de persluchtslang los voordat u het gereedschap met de haak ophangt.
- Hang het gereedschap nooit aan uw broeksband of iets dergelijks. Er is namelijk gevaar dat het gereedschap toevallig ontlad.

De haak is handig om het gereedschap tijdelijk op te hangen. Deze haak kan aan een van beide zijden van het gereedschap worden bevestigd.

Als u de haak aan een andere zijde wilt bevestigen, draait u de schroef eruit met behulp van een schroevendraaier. Bevestig de haak aan de andere zijde van het gereedschap met behulp van de schroef.

De neusadapter gebruiken (Fig. 8)

LET OP:

- Koppel altijd de perslucht slang los voordat u de neusadapter aanbrengt of verwijdert.

Als u het oppervlak van uw werkstuk wilt beschermen, brengt u de neusadapter aan op het contactelement.

Gebruik de neusadapter bij het nagelen in snel beschadigde oppervlakken. Om de neusadapter op de contactarm te bevestigen, duwt u deze op de contactarm tot de uitsteeksel op drie plaatsen binnenin de neusadapter passen in de drie gaten in de contactarm.

INEENZETTEN

LET OP:

- Koppel altijd de perslucht slang los alvorens de nagelrol in het gereedschap te laden.

De nagelrol in het gereedschap laden

LET OP:

- Zorg ervoor dat de rolsteunplaat is ingesteld op de juiste stapgrootte voor de gebruikte nagels.

Koppel de perslucht slang los van het gereedschap.

Kies nagels die geschikt zijn voor uw werk. Duw de vergrendelingshendel omlaag en open de deur en magazijnkap. (Fig. 9)

Til de rolsteunplaat op en draai deze zodat de pijl van de nagelgrootte aangegeven op de rolsteunplaat in de richting wijst van de overeenkomstige maat van de schaalverdeling op het magazijn. Als het gereedschap wordt bediend terwijl de rolsteunplaat in de verkeerde stand staat, kan dit leiden tot een slechte nageltoevoer of een storing van het gereedschap. (Fig. 10)

Plaats de nagelrol op de rolsteunplaat. Wind de nagelrol voldoende af om de toevoerklauw te bereiken. Plaats de eerste nagel in het stootkanaal en de tweede nagel in de toevoerklauw.

Plaats andere afgewikkelde nagels op het toevoerhuis. Sluit de magazijnkap nadat u hebt gecontroleerd dat de nagelrol goed in het magazijn is geplaatst. (Fig. 11)

Aansluiten van de pers lucht slang

Monteer de mof van de pers lucht slang op de luchtinlaat van het gereedschap. Controleer of de mof stevig vastzit op de luchtinlaat van het gereedschap. Een slangkoppeling dient op of dicht bij het gereedschap te worden geïnstalleerd zodat de druktank zal ontlast worden wanneer de luchttoevoerkoppeling wordt losgemaakt.

BEDIENING

LET OP:

- Controleer vóór het gebruik of alle veiligheidsinrichtingen normaal functioneren.

1. Om een nagel aan te drijven, plaats het contactelement tegen het werkstuk en druk de trekker in, of
 2. Druk eerst de trekker in en plaats daarna het contactelement tegen het werkstuk. (Fig. 12 en 13)
- De 1ste methode is voor intermitterend nagelen wanneer u de nagels voorzichtig en zeer nauwkeurig wilt aandrijven. De 2de methode is voor continu nagelen.


LET OP:


- Wanneer het gereedschap echter is ingesteld op "Onderbroken nagelen" en DE TREKKER IN DE HALFINGEKNEPEN STAND WORDT GEHOUDEN, kan het nagelpistool onverwachts een nagel schieten als het contactelement door de terugslag nogmaals in aanraking komt met het werkstuk of een ander oppervlak.

Om dergelijk per ongeluk nagelen te voorkomen, gaat u als volgt te werk:

A. Duw het contactelement niet met grote kracht tegen het werkstuk.

B. Knijp de trekker volledig in en houd deze na het nagelen gedurende een tot twee seconden ingeknepen.

- Bij werkwijze (1) zet u de keuzehendel in de stand .

- Bij werkwijze (2) zet u de keuzehendel in de stand .

Nadat u de keuzehendel hebt verdraaid om de nagelfunctie te veranderen, controleert u dat de keuzehendel goed in de stand van de gewenste nagelfunctie staat. (Fig. 14 en 15)

Nagelen in staalplaat (Fig. 16 en 17)

WAARSCHUWING:

- Gebruik een stalen C-profiel met een dikte van 2,3 mm of minder.

Het gereedschap geeft een sterke terugslag en een nagel kan terugketsen, waardoor ernstig letsel kan worden veroorzaakt.

- Gebruik voor nagelen in staalplaat uitsluitend nagels van gehard staal.

Andere nagels kunnen ernstig letsel veroorzaken.

- Houd tijdens het nagelen het gereedschap altijd haaks op het oppervlak van het werkstuk.

Bij schuin nagelen kunnen nagels terugketsen, waardoor ernstig letsel kan worden veroorzaakt.

- Bij het nagelen in een gegalvaniseerde golfplaat op een stalen C-profiel, gebruikt u een golfplaat met een dikte van 0,7 mm of minder en geharde nagels van 32 mm. Als u dat niet doet, kunnen nagels terugketsen, waardoor ernstig letsel kan worden veroorzaakt.

- Gebruik het gereedschap niet voor het nagelen in een plafond of dak.

Gebruik nagels die meer dan 10 mm langer zijn dan de totale dikte van het werkstuk door de onderstaande tabel te raadplegen.

Dikte van materiaal (mm)	Lengte van nagel (mm)
1,8 – 22	32
10 – 27	38
15 – 30	45
15 – 38	50

LET OP:

- Afhankelijk van de hardheid en totale dikte van het werkstuk (van alle te bevestigen materialen), is het mogelijk dat niet voldoende bevestigingssterkte kan worden verkregen. Het nagelen in staalplaat tot een te grote diepte, kan de bevestigingssterkte in grote mate verlagen. Stel vóór het nagelen de nageldiepte goed in.

- Bij het nagelen in staalplaat kan de aandrijving blokkeren als gevolg van verhoogde slijtage. Als de aandrijving gesleten is, maakt u hem weer scherp of vervangt u hem door een nieuwe.

Nagelen in beton (Fig. 18)

WAARSCHUWING:

- Gebruik voor nagelen in beton uitsluitend nagels van gehard staal.
- Andere nagels kunnen ernstig letsel veroorzaken. Nagel niet rechtstreeks in het beton en nagel niet staalplaat rechtstreeks op beton. Als u dat toch doet, kunnen stukjes beton wegvliegen of nagels terugketsen, waardoor ernstig letsel kan worden veroorzaakt.
- Houd tijdens het nagelen het gereedschap altijd haaks op het oppervlak van het werkstuk. Bij schuin nagelen kunnen stukjes beton wegvliegen of nagels terugketsen, waardoor ernstig letsel kan worden veroorzaakt.
- Gebruik niet op oppervlakken waaraan voorwerpen zijn bevestigd, zoals een plaats waar bevestigingsbeugels voor rioolpijpen, luchtafzuigleidingen, enz., zijn gemonteerd.

Gebruik nagels die tussen 10 en 15 mm in het beton dringen door de onderstaande tabel te raadplegen.

Dikte van het hout (mm)	Lengte van nagel (mm)	Diepte in beton (mm)
20	32	ca. 12
25	38	ca. 13
30	45	ca. 15
35	50	ca. 15

LET OP:

- Gebruik dit gereedschap uitsluitend voor beton dat nog niet zo lang geleden is gestort. Bij gebruik in hard beton kunnen de nagels krom gaan of onvoldoende diep worden geschoten.
- Wanneer de nagels meer dan 15 mm in het beton moeten worden geschoten, is het mogelijk dat ze onvoldoende diep komen.

De nagelband afscheuren (Fig. 19)

LET OP:

- Koppel altijd de perslucht slang los voordat u de nagelband afscheurt.

Scheur de uitgevoerde band af in de richting van de pijl bij gebruik van een band-type nagelrol.

ONDERHOUD

LET OP:

- Koppel altijd de perslucht slang los van het gereedschap alvorens te beginnen met inspectie of onderhoud.

Vastgelopen nagelpistool (Fig. 20 en 21)

LET OP:

- Alvorens een vastgelopen nagel te verwijderen, koppelt u altijd eerst de perslucht slang los en haalt u de nagelrol uit het magazijn.

Wanneer het nagelpistool vastloopt, gaat u als volgt te werk:

Open de magazijnkap en verwijder de nagelrol. Steek een dunne stang of iets dergelijks in de uitwerpopening en tik er met een hamer op om de vastgelopen nagel via de uitwerpopening te verwijderen. Plaats de nagelrol terug en sluit de magazijnkap.

Water uit het gereedschap laten lopen

Koppel de perslucht slang los van het gereedschap. Houd het gereedschap zodanig vast dat de luchtinlaat naar beneden is gericht. Laat zo veel mogelijk water uit het gereedschap lopen.

Het gereedschap reinigen

Metaaldeeltjes die aan de magneet kleven kunnen worden weggeblazen met behulp van een persluchtpistool.

Dop (Fig. 22)

Wanneer het nagelpistool niet in gebruik is, koppelt u de perslucht slang los. Plaats daarna de dop op de luchtinlaat.

Opbergen

Wanneer het nagelpistool niet in gebruik is, moet het worden opgeborgen op een warme, droge plaats.

Onderhoud van de compressor, luchtset en luchtslang

Tap na het gebruik altijd de compressortank en het luchtfilter af. Als er vocht in het gereedschap terecht komt, kunnen de prestaties verslechteren en kan het gereedschap defect raken. (Fig. 23 en 24)

Controleer regelmatig of er voldoende pneumatische olie in de oliespuit van de luchtset zit. Als het gereedschap niet goed gesmeerd blijft, zullen de O-ringen snel verslijten. (Fig. 25)

Houd de luchtslang uit de buurt van hitte (meer dan 60°C) en chemicaliën (verdunner, sterke zuren of alkalis). Houd de slang ook uit de buurt van obstakels waaraan deze tijdens het gebruik zou kunnen blijven haken.

Plaats de slangen ook niet dicht bij scherpe randen of andere plaatsen waar de slang beschadigd of afgeschuurd zou kunnen worden. (Fig. 26)

Om de VEILIGHEID en BETROUWBAARHEID van het product te handhaven, dienen alle reparaties en andere onderhoudswerkzaamheden of afstellingen te worden uitgevoerd door een erkend Makita servicecentrum, en dat uitsluitend met gebruik van Makita vervangingsonderdelen.

ACCESSOIRES

LET OP:

- Deze accessoires of hulpstukken worden aanbevolen voor gebruik met het Makita gereedschap dat in deze gebruiksaanwijzing wordt beschreven. Het gebruik van andere accessoires of hulpstukken kan gevaar voor persoonlijke verwonding opleveren. Gebruik de accessoires of hulpstukken uitsluitend voor het gespecificeerde doel.

Wenst u meer informatie over deze accessoires, neem dan contact op met het dichtstbijzijnde Makita servicecentrum.

- Nagels
- Veiligheidsbril
- Lucht slangen

Geluidsniveau

De typisch, A-gewogen geluidsniveaus vastgesteld volgens EN792:

- Geluidsdruk-niveau (L_{pA}): 86 dB (A)
- Geluidsenergie-niveau (L_{WA}): 99 dB (A)
- Onnauwkeurigheid (K): 3 dB (A)

Draag oorbeschermers

ENG233-2

Trilling

De emissiewaarde van de trillingen vastgesteld volgens EN792:

- Trillingsemissie (a_r): 3,0 m/s²
- Onnauwkeurigheid (K): 1,5 m/s²

ENG901-1

- De opgegeven trillingsemissiewaarde is gemeten volgens de standaardtestmethode en kan worden gebruikt om dit gereedschap te vergelijken met andere gereedschappen.
- De opgegeven trillingsemissiewaarde kan ook worden gebruikt voor een beoordeling vooraf van de blootstelling.

WAARSCHUWING:

- De trillingsemissie tijdens het gebruik van het elektrisch gereedschap in de praktijk kan verschillen van de opgegeven trillingsemissiewaarde afhankelijk van de manier waarop het gereedschap wordt gebruikt.
- Zorg ervoor dat veiligheidsmaatregelen worden getroffen ter bescherming van de operator die zijn gebaseerd op een schatting van de blootstelling onder praktijkomstandigheden (rekening houdend met alle fasen van de bedrijfscyclus, zoals de tijdsduur gedurende welke het gereedschap is uitgeschakeld en stationair draait, naast de ingeschakelde tijdsduur).

ENH003-11

Alleen voor Europese landen**EU-Verklaring van Conformiteit**

Wij, Makita Corporation, als de verantwoordelijke fabrikant, verklaren dat de volgende Makita-machine(s):

Aanduiding van de machine: Nagelpistool voor bouwwerk

Modelnr./Type: AN610H

in serie zijn geproduceerd en

Voldoen aan de volgende Europese richtlijnen:

98/37/EC tot en met 28 december 2009 en daarna aan 2006/42/EC vanaf 29 december 2009

En zijn gefabriceerd in overeenstemming met de volgende normen of genormaliseerde documenten:

EN792

De technische documentatie wordt bewaard door onze erkende vertegenwoordiger in Europa, te weten:

Makita International Europe Ltd.
Michigan Drive, Tongwell,
Milton Keynes, MK15 8JD, Engeland

30 januari 2009



Tomoyasu Kato
Directeur

Makita Corporation
3-11-8, Sumiyoshi-cho,
Anjo, Aichi, JAPAN

Explicación de los dibujos

1 Salida de aire por minuto del compresor	15 Puerta	28 Clavo clavado a una profundidad apropiada
2 Frecuencia de clavado (veces/minuto)	16 Tornillo de ajuste	29 Un clavo clavado muy profundo deformará las piezas de trabajo
3 Regulador	17 Placa de cambio	30 Longitud del clavo
4 Poco profundo	18 Flecha	31 Grosor de la madera
5 Profundo	19 Guía de clavos	32 Rango del cemento 10 – 15 mm
6 Muy profundo	20 Alimentador	33 Varilla pequeña
7 A ras	21 Gatillo	34 Destornillador
8 Muy poco profundo	22 Elemento de contacto	35 Tapa
9 Gancho	23 Palanca de cambio	36 Grifo de drenaje
10 Agujero	24 0,7 mm o menos de grosor para chapa de acero	37 Filtro de aire
11 Saliente	25 Grosor de la pieza de trabajo	38 Aceitero
12 Adaptador de boca	26 10 mm o más	39 Aceite neumático
13 Tapa del cargador	27 Acero en forma de C (Grosor 1,6 mm – 2,3 mm)	
14 Palanca de enganche		

ESPECIFICACIONES (Instrucciones originales)

Modelo	AN610H
Presión de aire	0,98 – 2,26 MPa (9,8 – 22,6 bar)
Longitud del clavo	Clavos en bobina intercalada de alambre 32 mm – 65 mm Clavos en bobina intercalada en lámina 32 mm – 65 mm
Número de clavos	Clavos en bobina intercalada de alambre 250 unidades, 300 unidades, 400 unidades Clavos en bobina intercalada en lámina 200 unidades
Diámetro mínimo de la manguera	5,0 mm
Dimensiones (La x Al x An)	282 mm x 277 mm x 136 mm
Peso neto	1,9 kg

- Debido a un programa continuo de investigación y desarrollo, las especificaciones aquí dadas están sujetas a cambios sin previo aviso.
- Las especificaciones pueden ser diferentes de país a país.
- Peso de acuerdo con el procedimiento EPTA 01/2003

Uso previsto

La herramienta ha sido prevista para trabajo interior preliminar, tal como fijación de viguetas al suelo o cabrios comunes y trabajo de ensamblaje en viviendas 2" x 4".

ENB109-1

INSTRUCCIONES DE SEGURIDAD IMPORTANTES

ADVERTENCIA:

CUANDO UTILICE ESTA HERRAMIENTA, DEBERÁ OBSERVAR SIEMPRE LAS PRECAUCIONES DE SEGURIDAD BÁSICAS PARA REDUCIR EL RIESGO DE SUFRIR HERIDAS PERSONALES, INCLUYENDO LO SIGUIENTE:

LEA TODAS LAS INSTRUCCIONES.

- Por su propia seguridad y la utilización y el mantenimiento apropiados de la herramienta, lea este manual de instrucciones antes de utilizar la herramienta.
- Póngase siempre gafas de seguridad para proteger sus ojos del polvo o heridas producidas por los clavos.

ADVERTENCIA:

Es responsabilidad del patrón hacer cumplir al operario y a otras personas cerca del área de trabajo el uso del equipo de seguridad para la protección de los ojos.

- Utilice protección auditiva para proteger sus oídos contra el ruido y protéjase también la cabeza. Póngase también ropa ligera pero no holgada. Las mangas deberán estar abotonadas o remangadas. No se deberá utilizar corbata.
- El hacer el trabajo deprisa o forzar la herramienta es peligroso. Maneje la herramienta con cuidado. No utilice la herramienta bajo la influencia de alcohol, drogas o sustancias parecidas.
- Directrices generales para el manejo de la herramienta:
 1. Asuma siempre que la herramienta contiene clavos.
 2. No se apunte asimismo ni a nadie con la herramienta tanto si contiene clavos como si no.
 3. No active la herramienta a menos que la tenga puesta firmemente contra la pieza de trabajo.
 4. Respete la herramienta como implemento de trabajo.
 5. No haga payasadas con la herramienta.
 6. No coja ni transporte la herramienta con el dedo en el gatillo.
 7. No cargue clavos en la herramienta estando cualquiera de los controles de operación activado.

8. No utilice la herramienta con ninguna otra fuente de alimentación distinta a la especificada en las instrucciones de funcionamiento/seguridad de la herramienta.
 - Una herramienta que no funcione debidamente no se deberá utilizar.
 - Cuando se utiliza la herramienta algunas veces salan chispas. No utilice la herramienta cerca de materiales volátiles o inflamables tales como gasolina, disolvente, pintura, gas, adhesivos, etc.; estas sustancias se encenderán y explotarán, ocasionando graves heridas.
 - El área deberá estar suficientemente iluminada para asegurar una operación segura. El área deberá estar despejada y libre de basura. Tenga especial cuidado de mantener los pies sobre suelo firme y el equilibrio.
 - En la proximidad solamente deberán estar aquellos implicados en el trabajo. Especialmente los niños deberán mantenerse alejados en todo momento.
 - Podrá haber reglamentos locales concernientes al ruido que habrá que cumplir manteniendo los niveles de ruido dentro de los límites establecidos. En ciertos casos, se deberán utilizar celosías, etc., para contener el ruido.
 - No juegue con el elemento de contacto: éste previene la descarga accidental, por lo que se deberá mantener activado y puesto en su sitio. También es muy peligroso el mantener el gatillo en la posición ON (activado). No intente nunca atar el gatillo. No utilice la herramienta si cualquier porción de los controles de operación de la herramienta está inoperable, desconectada, alterada, o no funciona correctamente.
 - Utilice la herramienta dentro de la presión de aire especificada de 0,98 – 2,26 MPa (9,8 – 22,6 bar) por seguridad y para alargar la vida de la herramienta. No exceda la presión de funcionamiento máxima recomendada de 2,26 MPa (22,6 bar). La herramienta no deberá ser conectada a una fuente cuya presión pueda potencialmente exceder 3,39 MPa (33,9 bar).
 - Asegúrese de que la presión suministrada por el sistema de aire comprimido no exceda la presión máxima permitida de la clavadora de clavos. Ajuste la presión de aire inicialmente a un valor inferior a la presión permitida recomendada (consulte las ESPECIFICACIONES).
 - No utilice nunca la herramienta con nada que no sea aire comprimido. Si se utiliza gas (dióxido de carbono, oxígeno, nitrógeno, hidrógeno, aire, etc.) o gas combustible (hidrógeno, propano, acetileno, etc.) embotellado como fuente de accionamiento para esta herramienta, la herramienta explotará y ocasionará graves heridas.
 - Compruebe siempre la herramienta antes de la operación para ver su condición general y si hay tornillos sueltos. Apriete según se requiera.
 - Antes de la operación asegúrese de que todos los sistemas de seguridad estén en condiciones de funcionamiento. La herramienta no deberá funcionar si solamente se aprieta el gatillo o si solamente se presiona el brazo de contacto contra la madera. Solamente deberá funcionar cuando se realicen ambas acciones. Haga una prueba sin clavos cargados y el empujador en la posición totalmente presionada para ver si hay algún posible fallo de funcionamiento.
 - Compruebe las paredes, techos, suelos, techumbres y por el estilo con cuidado para evitar descargas eléctricas, fugas de gas, explosiones, etc., ocasionadas por el contacto con cables con tensión, conductos o tuberías de gas.
 - Utilice solamente los clavos especificados en este manual. La utilización de otros clavos podrá ocasionar un mal funcionamiento de la herramienta.
 - No utilice nunca clavadoras de clavos marcadas con el símbolo de "No utilizar en andamios, escalera de mano" para aplicaciones específicas, por ejemplo:
 - cuando cambiar de un lugar de clavado a otro implique la utilización de andamios, escaleras, escaleras de mano, o construcciones en forma de escalera, por ejemplo, listones de techumbres;
 - cajas de cierre o cajones;
 - colocación de sistemas de seguridad de transportes, por ejemplo, en vehículos y vagones.
 - No permita utilizar la herramienta a personas no instruidas.
 - Asegúrese de que no haya nadie cerca antes de ponerse a clavar. No intente clavar nunca desde el interior y exterior al mismo tiempo. Los clavos podrían atravesar y/o salir disparados, presentando un grave peligro.
 - Observe el suelo donde pisa y mantenga su equilibrio con la herramienta. Asegúrese de que no haya nadie debajo cuando trabaje en lugares elevados, y sujete la manguera de aire para evitar peligros si se produjera un tirón o enganche repentino.
 - En tejados y otros lugares elevados, clave avanzando. Si clava moviéndose poco a poco hacia atrás será fácil que pierda el equilibrio. Cuando clave contra superficies perpendiculares, clave de arriba hacia abajo. Haciéndolo de esta forma podrá realizar la operación de clavado fatigándose menos.
 - Si clava equivocadamente encima de otro clavo o golpea un nudo en la madera, el clavo se torcerá o se atascará la herramienta. El clavo podrá salir lanzado y golpear a alguien, o la propia herramienta podrá reaccionar peligrosamente. Ponga los clavos con cuidado.
 - No deje la herramienta cargada ni el compresor de aire bajo presión durante largo tiempo al sol. Asegúrese de que no entre polvo, arena, virutas ni materias extrañas en la herramienta en el lugar donde la deje.
 - No apunte con el puerto de expulsión a nadie de alrededor. Mantenga las manos y pies alejados del área del puerto de expulsión.
 - Cuando esté conectada la manguera de aire, no transporte la herramienta con el dedo en el gatillo ni se la pase a otra persona en esta condición. Un disparo accidental puede resultar muy peligroso.
 - Maneje la herramienta con cuidado, ya que dentro de la herramienta hay una presión muy alta que puede ser peligrosa si se produce una grieta debido a un manejo brusco (dejando caer o golpeando la herramienta). No intente grabar ni esculpir en la herramienta.
 - Pare inmediatamente la operación de clavado si nota algo incorrecto o fuera de lo normal en la herramienta.
 - Desconecte siempre la manguera de aire y extraiga todos los clavos:
 9. Cuando deje la herramienta sin atender.
 10. Antes de realizar cualquier mantenimiento o reparación.
 11. Antes de despejar un atasco.
 12. Antes de mover la herramienta a un nuevo lugar.



- Realice la limpieza y el mantenimiento inmediatamente después de terminar el trabajo. Mantenga la herramienta en perfectas condiciones. Lubrique las partes móviles para evitar la oxidación y minimizar el desgaste relacionado con la fricción. Quite todo el polvo de dichas partes.
- No modifique la herramienta sin la autorización de Makita.
- Pregunte en centros de servicio autorizados por Makita sobre la inspección periódica de la herramienta.
- Para mantener la SEGURIDAD y FIABILIDAD del producto, el mantenimiento y las reparaciones deberán ser realizados en un Centro de servicio autorizado por Makita, empleando siempre repuestos Makita.
- Utilice solamente el aceite de herramientas neumáticas especificado en este manual.
- No conecte nunca la herramienta a una línea de aire comprimido donde la presión permitida máxima de la herramienta no pueda ser excedida en un 10%. Asegúrese de que la presión suministrada por el sistema de aire comprimido no exceda la presión máxima permitida de la clavadora de clavos. Ajuste la presión de aire inicialmente al valor más bajo de la presión permitida recomendada.
- No intente mantener el gatillo o el elemento de contacto presionado con cinta o alambre. Podrá ocasionarle la muerte o heridas graves.
- Compruebe siempre el elemento de contacto como se indica en este manual. Los clavos podrán dispararse accidentalmente si el mecanismo de seguridad no funciona correctamente.

GUARDE ESTAS INSTRUCCIONES.

INSTALACIÓN

Selección del compresor (Fig. 1)

El compresor de aire deberá cumplir con los requisitos de EN60335-2-34.

Seleccione un compresor que tenga una presión y salida de aire amplias para asegurar una operación eficiente en base a costos. El gráfico muestra la relación entre la frecuencia de clavado, la presión aplicable y la salida de aire del compresor.

Así, por ejemplo, si el clavado se realiza a una frecuencia de aproximadamente 50 veces por minuto a una compresión de 1,76 MPa (17,6 bar), se requerirá un compresor con una salida de aire superior a 90 litros/minuto.

Cuando la presión del suministro de aire exceda la presión nominal de la herramienta se deberán utilizar reguladores de presión para limitar la presión de aire a la presión nominal de la herramienta. De no hacerlo, podrá resultar en heridas graves al operario de la herramienta o a personas cercanas.

Selección de la manguera de aire (Fig. 2)

Utilice una manguera de aire resistente a la alta presión. Utilice una manguera de aire tan grande y corta como sea posible para asegurar una operación de clavado continua y eficiente.

PRECAUCIÓN:

- Una salida de aire baja del compresor, o una manguera de aire larga o de diámetro más pequeño en relación con la frecuencia de clavado podrá ocasionar una disminución de la capacidad de clavado de la herramienta.

Lubricación

Para asegurar el máximo rendimiento, instale un conjunto de aire (aceitero, regulador, filtro de aire) lo más cerca posible de la herramienta. Ajuste el aceitero de forma que provea una gota de aceite cada 30 clavos. (Fig. 3)

Cuando no se utilice un conjunto de aire, engrase la herramienta con aceite de herramientas neumáticas poniendo 2 (dos) o 3 (tres) gotas en el conector de aire. Esto deberá hacerse antes y después del uso. Para una lubricación apropiada, la herramienta deberá ser disparada unas cuantas veces después de haber introducido el aceite de herramientas neumáticas. (Fig. 4)

DESCRIPCIÓN DEL FUNCIONAMIENTO

PRECAUCIÓN:

- Desconecte siempre la manguera antes de ajustar o comprobar una función de la herramienta.

Ajuste de la profundidad de clavado (Fig. 5 y 6)

PRECAUCIÓN:

- Desconecte siempre la manguera antes de ajustar la profundidad de clavado.

Si los clavos se clavan muy profundos, gire el regulador hacia la derecha. Si los clavos se clavan muy poco profundos, gire el regulador hacia la izquierda.

El rango de ajuste es de 0 a 6 mm. (Una vuelta completa permite ajustar 0,8 mm.)

Gancho (Fig. 7)

PRECAUCIÓN:

- Desconecte siempre la manguera cuando vaya a colgar la herramienta utilizando el gancho.
- No cuelgue nunca la herramienta en un cinturón de caderas o similar. Podría producirse un peligroso disparo accidental.

El gancho resulta útil para colgar temporalmente la herramienta. Este gancho se puede instalar en cualquiera de los lados de la herramienta.

Cuando quiera cambiar la posición de instalación, quite el tornillo con un destornillador. Coloque el gancho en el otro lado para instalarlo y después sujételo con el tornillo.

Uso del adaptador de boca (Fig. 8)

PRECAUCIÓN:

- Bloquee siempre el gatillo y desconecte la manguera antes de instalar o quitar el adaptador de boca.

Si quiere proteger la superficie de la pieza de trabajo, coloque el adaptador de boca del elemento de contacto. Cuando clave piezas de trabajo con superficies fácilmente deteriorables, utilice el adaptador de boca. Para colocar el adaptador de boca en el brazo de contacto, presiónelo contra el brazo de contacto hasta que los salientes en tres lugares dentro del adaptador de boca encajen en los tres agujeros en el brazo de contacto.

MONTAJE

PRECAUCIÓN:

- Desconecte siempre la manguera de aire antes de cargar la clavadora de clavos.

Carga de la clavadora de clavos

PRECAUCIÓN:

- Asegúrese de que la placa de apoyo de la bobina está ajustada en una posición correcta para clavos usados.

Desconecte la manguera de aire de la herramienta.

Seleccione los clavos apropiados para su trabajo. Presione la palanca de enganche y abra la puerta y la tapa del cargador. (Fig. 9)

Levante y gire la placa de apoyo de la bobina de forma que la flecha con el tamaño de clavo indicado en la placa de apoyo de la bobina apunte al incremento de graduación correspondiente marcado en el cargador. Si utiliza la herramienta con la placa de apoyo de la bobina ajustada en una posición incorrecta, se producirá una mala alimentación de clavos o un mal funcionamiento de la herramienta. (Fig. 10)

Ponga la bobina de clavos encima de la placa de apoyo de la bobina. Desenrolle suficientes clavos para llegar a la pinza de alimentación. Ponga el primer clavo en el canal de arrastre y el segundo en la pinza de alimentación.

Ponga otros clavos desenrollados en el cuerpo del alimentador. Cierre la tapa del cargador despacio hasta que se bloquee después de mirar y comprobar que la bobina de clavos está correctamente colocada en el cargador. (Fig. 11)

Conexión de la manguera de aire

Encaje el acoplador de aire de la manguera de aire en el conector de aire de la clavadora de clavos. Asegúrese de que el acoplador de aire quede bloqueado firmemente en posición cuando lo instale en el conector de aire. Se deberá instalar un acoplamiento de manguera en o cerca de la herramienta de tal forma que el depósito de presión se descargue al desconectar el acoplamiento de suministro de aire.

OPERACIÓN

PRECAUCIÓN:

- Antes de la operación asegúrese de que todos los sistemas de seguridad estén en condiciones de funcionamiento.

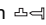
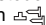
1. Para clavar un clavo, puede poner el elemento de contacto contra la pieza de trabajo y apretar el gatillo, o
2. Apretar el gatillo primero y después poner el elemento de contacto contra la pieza de trabajo. (Fig. 12 y 13)

- El método número (1) es para clavado intermitente, cuando desee clavar un clavo con cuidado y exactamente. El método número (2) es para clavado continuo.

PRECAUCIÓN:

- Sin embargo, cuando la herramienta está puesta en el modo de "Clavado intermitente", CON EL GATILLO APRETADO HASTA LA MITAD, puede producirse un clavado inesperado si deja que el elemento de contacto vuelva a tocar la pieza de trabajo u otra superficie bajo la influencia del retroimpacto.

Para evitar este clavado inesperado, haga lo siguiente:

- A. No ponga el elemento de contacto contra la pieza de trabajo con excesiva fuerza.
 - B. Apriete el gatillo completamente y manténgalo apretado durante 1 – 2 segundos después de clavar.
- Para el método N.º (1), ponga la palanca de cambio en la posición .
 - Para el método N.º (2), ponga la palanca de cambio en la posición .

Después de utilizar la palanca de cambio para cambiar el método de clavado, asegúrese siempre de que la palanca de cambio está correctamente puesta en la posición del método de clavado deseado. (Fig. 14 y 15)

Clavado de chapa de acero (Fig. 16 y 17)

ADVERTENCIA:

- Utilice acero de 2,3 mm o menos para el acero en forma de C. La herramienta rebotará severamente y el clavo saldrá despedido, ocasionando graves heridas.
- Utilice solamente clavos templados para chapa de acero. Si utiliza otros tipos de clavos podrá ocasionar graves heridas.
- Cuando clave, sujete la herramienta de forma que esté en posición vertical a la fuerza de clavado. El clavado inclinado puede hacer que los clavos salgan despedidos, ocasionando graves heridas.
- Cuando fije una chapa de zinc corrugado en el acero en forma de C, utilice chapa de grosor de 0,7 mm o menos y clavos templados de 32 mm de largo. En caso contrario, los clavos podrán salir despedidos, ocasionando graves heridas.
- No utilice la herramienta para clavado en el techo ni en el tejado.

Elija y utilice clavos de más de 10 mm más largos que el grosor total de toda la pieza de trabajo que vaya a sujetar consultando la tabla de abajo.

Grosor del material (mm)	Longitud del clavo (mm)
1,8 – 22	32
10 – 27	38
15 – 30	45
15 – 38	50

PRECAUCIÓN:

- Dependiendo de la dureza y grosor total de la combinación de toda la pieza de trabajo que se vaya a sujetar, es posible que no se pueda obtener suficiente sujeción. El clavado en chapa de acero a una profundidad excesiva podrá reducir sumamente la fuerza de clavado. Antes de clavar, ajuste la profundidad de clavado debidamente.
- En el clavado en la chapa de acero, el impulsor podrá atascarse debido a la susceptibilidad a desgastarse. Cuando se gaste, afílelo o reemplácelo con uno nuevo.

Clavado en cemento (Fig. 18)

ADVERTENCIA:

- Utilice solamente clavos templados para cemento.
- Si utiliza otros tipos de clavos podrá ocasionar graves heridas. No clave directamente en el cemento ni sujete directamente la chapa de acero al cemento. En caso contrario, podrán salir despedidos fragmentos de cemento o los clavos, ocasionando graves heridas.
- Cuando clave, sujete la herramienta de tal forma que esté en posición vertical a la fuerza de clavado. El clavado inclinado puede hacer que salgan despedidos fragmentos de cemento o los clavos, ocasionando graves heridas.
- No utilice en superficies de las que cuelguen objetos, tal como un área donde haya montados colgadores para tubos de alcantarillado, tubos de polvo, etc.

Elija y utilice clavos de forma que la longitud que penetre en el cemento sea de entre 10 mm a 15 mm consultando la tabla de abajo.

Grosor de la madera (mm)	Longitud del clavo (mm)	Cemento (mm)
20	32	Aprox. 12
25	38	Aprox. 13
30	45	Aprox. 15
35	50	Aprox. 15

PRECAUCIÓN:

- Utilice esta herramienta solamente para cemento blando que no haya sido hecho hace mucho tiempo. Si la utiliza en cemento duro los clavos podrán doblarse o no clavarse a suficiente profundidad.
- Cuando la penetración en el cemento sea de más de 15 mm, es posible que no se obtenga un clavado de suficiente longitud.

Corte de la lámina (Fig. 19)

PRECAUCIÓN:

- Desconecte siempre la manguera antes de cortar la lámina.

Rasgue la lámina de salida en la dirección indicada por la flecha cuando utilice clavos intercalados en lámina.

MANTENIMIENTO

PRECAUCIÓN:

- Desconecte siempre la manguera de aire de la herramienta antes de intentar realizar una inspección o mantenimiento.

Clavadora de clavos atascada (Fig. 20 y 21)

PRECAUCIÓN:

- Desconecte siempre la manguera de aire y extraiga los clavos del cargador antes de despejar un atasco.

Cuando la clavadora de clavos se atasque, haga lo siguiente:

Abra la tapa del cargador y extraiga la bobina de clavos. Inserte una varilla pequeña o similar en el puerto de expulsión y golpéela ligeramente con un martillo para sacar del puerto de expulsión el clavo atascado. Vuelva a poner la bobina de clavos y cierre la tapa del cargador.

Drenaje de la herramienta

Quite la manguera de la herramienta. Ponga la herramienta de forma que el conector de aire quede orientado hacia el suelo. Drene lo máximo posible.

Limpieza de la herramienta

El polvo de hierro que se adhiere al imán se puede quitar utilizando aire a presión.

Tapa (Fig. 22)

Cuando no la utilice, bloquee el gatillo y desconecte la manguera. Después tape el conector de aire con la tapa.

Almacenamiento

Cuando se esté utilizando, la clavadora de clavos deberá almacenarse en un lugar cálido y seco.

Mantenimiento del compresor, conjunto de aire y manguera de aire

Después de una operación, drene siempre el tanque compresor y el filtro de aire. Si permite que entre humedad en la herramienta, podrá resultar en un rendimiento deficiente y posible fallo de la herramienta. (Fig. 23 y 24) Compruebe regularmente para ver si hay suficiente aceite neumático en el aceitero del conjunto de aire. Si no se mantiene una suficiente lubricación las juntas tóricas se desgastarán rápidamente. (Fig. 25)

Mantenga la manguera de aire alejada del calor (más de 60°C, más de 140°F), alejada de sustancias químicas (disolvente, ácidos fuertes o alcalinos). Además, tienda la manguera alejada de obstáculos en los que pueda engancharse peligrosamente durante la operación.

Las mangueras también deberán tenderse alejadas de cantos cortantes y áreas que puedan ocasionar daños o abrasión a la manguera. (Fig. 26)

Para mantener la SEGURIDAD y FIABILIDAD del producto, las reparaciones, cualquier otro mantenimiento o ajuste deberán ser realizados en Centros de servicio autorizados por Makita, empleando siempre repuestos Makita.

ACCESORIOS

PRECAUCIÓN:

- Estos accesorios o acoplamientos están recomendados para utilizar con la herramienta Makita especificada en este manual. El empleo de otros accesorios o acoplamientos conllevará un riesgo de sufrir heridas personales. Utilice los accesorios o acoplamientos solamente para su fin establecido.

Si necesita cualquier ayuda para más detalles en relación con estos accesorios, pregunte al centro de servicio Makita local.

- Clavos
- Mangueras de aire
- Gafas de seguridad

Ruido

El nivel de ruido A-ponderado típico determinado de acuerdo con la norma EN792:

- Nivel de presión sonora (L_{pA}): 86 dB (A)
- nivel de potencia sonora (L_{WA}): 99 dB (A)
- Error (K): 3 dB (A)

Póngase protectores en los oídos

ENG233-2

Vibración

El valor de emisión de la vibración determinado de acuerdo con la norma EN792:

- Emisión de vibración (a_n): 3,0 m/s²
- Error (K): 1,5 m/s²

ENG901-1

- El valor de emisión de vibración declarado ha sido medido de acuerdo con el método de prueba estándar y se puede utilizar para comparar una herramienta con otra.
- El valor de emisión de vibración declarado también se puede utilizar en una valoración preliminar de exposición.

ADVERTENCIA:

- La emisión de vibración durante la utilización real de la herramienta eléctrica puede variar del valor de emisión declarado dependiendo de las formas en las que la herramienta sea utilizada.
- Asegúrese de identificar medidas de seguridad para proteger al operario que estén basadas en una estimación de la exposición en las condiciones reales de utilización (teniendo en cuenta todas las partes del ciclo operativo tal como las veces cuando la herramienta está apagada y cuando está funcionando en vacío además del tiempo de gatillo).

ENH003-11

Para países europeos solamente**Declaración de conformidad CE****Makita Corporation como fabricante responsable declara que la(s) siguiente(s) máquina(s) de Makita:**

Designación de máquina: Clavadora de clavos para la construcción

Modelo N°/Tipo: AN610H

son producidas en serie y

Cumplen con las directivas europeas siguientes:

98/37/EC hasta el 28 de diciembre de 2009 y después con 2006/42/EC desde el 29 de diciembre de 2009

Y que están fabricadas de acuerdo con las normas o documentos normalizados siguientes:

EN792

Los documentos técnicos los guarda nuestro representante autorizado en Europa cuya persona es:

Makita International Europe Ltd.
Michigan Drive, Tongwell,
Milton Keynes, MK15 8JD, Inglaterra

30 de enero de 2009



Tomoyasu Kato
Director

Makita Corporation
3-11-8, Sumiyoshi-cho,
Anjo, Aichi, JAPAN

Explicação geral

1 Saída de ar comprimido por minuto	15 Porta	28 Prego penetrado adequadamente
2 Frequência de pregagem (vezes/min.)	16 Ajustador	29 Prego penetrado demais causará a deformação das peças de trabalho
3 Ajustador	17 Placa de substituição	
4 Raso	18 Seta	
5 Fundo	19 Guia de pregos	
6 Fundo demais	20 Alimentador	30 Comprimento do prego
7 Nivelado	21 Gatilho	31 Espessura da madeira
8 Raso demais	22 Elemento de contacto	32 Betão entre 10 a 15 mm
9 Gancho	23 Alavanca de alteração	33 Vareta pequena
10 Orifício	24 Espessura de 0,7 mm ou menos para placa de aço	34 Chave de fenda
11 Saliência	25 Espessura da peça de trabalho	35 Tampa
12 Bico adaptador	26 10 mm ou mais	36 Torneira do dreno
13 Tampa do carregador	27 Aço em forma de C (espessura de 1,6 mm a 2,3 mm)	37 Filtro de ar
14 Alavanca do trinco		38 Recipiente de óleo
		39 Óleo pneumático

ESPECIFICAÇÕES

Modelo	AN610H
Pressão do ar	0,98 – 2,26 MPa (9,8 – 22,6 bar)
Comprimento do prego	Pregos electrosoldados em arame 32 mm – 65 mm Pregos electrosoldados em folhas 32 mm – 65 mm
Capacidade	Pregos electrosoldados em arame 250 pregos, 300 pregos, 400 pregos Pregos electrosoldados em folhas 200 pregos
Diâmetro mín. da mangueira	5,0 mm
Dimensões (C x A x P)	282 mm x 277 mm x 136 mm
Peso líquido	1,9 kg

- Devido ao nosso programa contínuo de pesquisa e desenvolvimento, as características indicadas neste documento estão sujeitas a alterações sem aviso prévio.
- As especificações podem diferir de país para país.
- Peso de acordo com o Procedimento 01/2003 da EPTA (European Power Tool Association)

Indicação de uso

Esta ferramenta é indicada para trabalhos interiores preliminares tais como a fixação de vigas ou caibros comuns e trabalhos de moldura em caixas de 2" x 4".

ENB109-1

INSTRUÇÕES IMPORTANTES DE SEGURANÇA**ATENÇÃO:**

AO UTILIZAR ESTA FERRAMENTA, OBSERVE SEMPRE AS PRECAUÇÕES BÁSICAS DE SEGURANÇA PARA REDUZIR O RISCO DE ACIDENTES PESSOAIS, INCLUSIVE O SEGUINTE:

LEIA TODAS AS INSTRUÇÕES.

- Para sua própria segurança pessoal e funcionamento adequado da ferramenta, leia estas instruções antes de utilizar a ferramenta.
- Use sempre óculos de segurança para proteger seus olhos contra poeira ou ferimentos com pregos.

AVISO:

É de responsabilidade do empregador fazer com que os operadores da ferramenta bem como outras pessoas na área de trabalho utilizem óculos de segurança.

- Use capacetes e protectores de ouvido para proteger contra o ruído do escape. Use roupas leves, mas não largas. As mangas do vestuário devem estar abotoadas ou arregaçadas. Não usar gravata.
- É perigoso forçar a ferramenta ou tentar apressar o trabalho. Manuseie a ferramenta com muito cuidado. Não utilizar a ferramenta se você estiver sob a influência de álcool ou drogas.
- Normas gerais para o manuseio da ferramenta:
 1. Assuma sempre que a ferramenta está carregada com pregos.
 2. Não aponte a ferramenta para si mesmo nem para outras pessoas, quer esteja carregada de pregos ou não.
 3. Não accione a ferramenta a menos que a mesma esteja firmemente colocada contra a peça de trabalho.
 4. Respeite a ferramenta como um implemento de trabalho.
 5. Não brinque com a ferramenta.
 6. Não segure nem carregue a ferramenta com o dedo no gatilho.
 7. Não carregue os pregos na ferramenta se qualquer um dos controlos de funcionamento estiver activado.

8. Não funcione a ferramenta com fonte de alimentação diferente daquela especificada nas instruções de segurança/operação.
- Nunca utilize uma ferramenta que não esteja a funcionar devidamente.
 - Ao utilizar a ferramenta às vezes saem faíscas. Não utilize a ferramenta perto de materiais voláteis ou inflamáveis, tais como gasolina, diluente, tinta, gás, adesivos, etc, pois esses podem incendiar e explodir, causando ferimentos graves.
 - A área de trabalho deve ser bem iluminada para garantir uma operação com segurança. A área de trabalho deve ser limpa e livre de entulhos. Tenha cuidado e mantenha uma posição segura e equilibrada.
 - Apenas as pessoas envolvidas no trabalho devem estar nas proximidades. As crianças em especial devem ficar sempre afastadas da área.
 - Pode haver regulamentos locais com respeito ao ruído, os quais devem ser cumpridos mantendo-se o nível de ruído dentro dos limites indicados. Em alguns casos, deve-se usar um silenciador.
 - Não brinque com o elemento de contacto: este previne o accionamento accidental e, portanto, não deve ser removido. Também é muito perigoso deixar o gatilho na posição de ligado (ON). Nunca tente prender o gatilho. Não funcione com a ferramenta se qualquer um dos controlos estiver inoperante, desactivado, alterado ou não funcionar devidamente.
 - Funcione com a ferramenta dentro da pressão de ar especificada de 0,98 – 2,26 MPa (9,8 – 22,6 bar) para segurança e para prolongar a vida útil da ferramenta. Não exceda a pressão de operação máxima recomendada de 2,26 MPa (22,6 bar). Não ligue a ferramenta a uma fonte cuja pressão potencialmente exceda 3,39 MPa (33,9 bar).
 - Assegure-se de que a pressão fornecida pelo sistema de ar comprimido não exceda a pressão máxima permitida para a ferramenta de pregar. Inicialmente ajuste a pressão do ar no valor mínimo recomendado para a pressão permitida (consulte as ESPECIFICAÇÕES).
 - Nunca use a ferramenta a não ser com ar comprimido. Se utilizar gás engarrafado (dióxido de carbono, oxigénio, nitrogénio, hidrogénio, ar, etc.) ou gás combustível (hidrogénio, propano, acetileno, etc.) como fonte de alimentação, a ferramenta explodirá causando ferimentos graves.
 - Antes de funcionar, verifique sempre a condição geral da ferramenta e inspeccione para ver se há parafusos soltos. Aperte-os como necessário.
 - Certifique-se de que todos os sistemas de segurança estão a funcionar adequadamente antes da operação. A ferramenta não deve funcionar simplesmente ao apertar o gatilho ou ao pressionar o elemento de contacto contra a madeira. Ela deve funcionar apenas ao executar ambas as acções. Faça um teste sem pregos e com o puxador na posição de apertado para verificar se há problemas na operação.
 - Inspeccione cuidadosamente as paredes, tecto, pisos e telhados para evitar o risco de choque eléctrico, fuga de gás, explosões, etc. que podem ser causados se encontrar fios ligados, condutos ou canos de gás.
 - Utilize apenas pregos especificados neste manual. A utilização de pregos diferentes pode causar o mau funcionamento da ferramenta.
 - Nunca utilize pregadores marcados com a inscrição “Não utilizar em andaimes ou escadas” para aplicações específicas, por exemplo:
 - quando ao mudar de uma posição de trabalho para outra for preciso utilizar andaimes, degraus, escadas usadas em construção, como ripa de telhado;
 - ao fechar caixas ou engradados;
 - ao fixar sistemas de segurança de transporte, como em veículos ou vagões.
 - Não permita que pessoas não familiarizadas utilizem a ferramenta.
 - Assegure-se de que não há ninguém nas proximidades antes de pregar. Nunca tente pregar do lado de dentro e do lado de fora ao mesmo tempo. Pregos podem escapar e/ou pular, apresentando um perigo muito grave.
 - Tenha cuidado e mantenha-se numa posição firme e equilibrada ao utilizar a ferramenta. Certifique-se de que ninguém está por baixo quando trabalhando em locais altos e afixe a mangueira de ar para prevenir acidentes caso a mesma se enrosque em algo ou haja um movimento brusco e súbito.
 - Ao trabalhar em telhados ou outros locais altos, pregue movendo-se para a frente. É fácil perder o equilíbrio se pregar movendo-se para trás. Quando está a pregar contra superfícies perpendiculares, pregue de cima para baixo. Assim, poderá executar a operação de pregar com menos cansaço.
 - O prego poderá entortar-se ou a ferramenta poderá ficar emperrada se pregar sobre outro prego por engano ou se bater num nó da madeira. O prego pode pular e atingir alguém ou a ferramenta pode funcionar perigosamente. Coloque os pregos com cuidado.
 - Não deixe a ferramenta carregada ou o compressor de ar com pressão sob o sol por muito tempo. Cuide para que poeira, areia, pedaços de madeira ou outros objectos estranhos não entrem na ferramenta onde a deixar.
 - Não aponte o porto de ejeção a ninguém nas proximidades. Mantenha as mãos e pés afastados da área do porto de ejeção.
 - Se a mangueira de ar estiver conectada, não carregue a ferramenta com o dedo no gatilho nem a entregue a alguém nessa condição. O disparo accidental pode ser extremamente perigoso.
 - Manuseie a ferramenta com cuidado dado que há pressão muito alta dentro da mesma e pode ser perigoso se houver uma fissura causada por manuseio impróprio (derrubar ou bater a mesma). Não tente entalhar ou insculpir na ferramenta.
 - Pare de pregar imediatamente se notar qualquer problema ou algo anormal com a ferramenta.
 - Desligue sempre a mangueira de ar e retire todos os pregos:
 9. Quando desatendida.
 10. Antes de efectuar a manutenção ou reparos.
 11. Antes de eliminar qualquer obstrução.
 12. Antes de levar a ferramenta para um novo local.
 - Efectue a limpeza e a manutenção logo após terminar o trabalho. Mantenha a ferramenta em ótimas condições. Lubrifique as peças giratórias para evitar que fiquem enferrujadas e para minimizar o desgaste devido à fricção. Limpe a poeira das peças.
 - Não modifique a ferramenta sem autorização prévia da Makita.



- Solicite a inspeção periódica da ferramenta nos centros de assistência autorizada Makita.
- Para manter a **SEGURANÇA** e a **CONFIABILIDADE** do produto, a manutenção e os reparos deverão ser realizados por centros de assistência autorizada Makita, sempre utilizando peças de reposição originais Makita.
- Utilize apenas óleo pneumático para ferramenta especificado neste manual.
- Nunca ligue a ferramenta a uma linha de ar comprimido cuja pressão máxima permitida não possa exceder 10%. Assegure-se de que a pressão fornecida pelo sistema de ar comprimido não exceda a pressão máxima permitida para a ferramenta de pregar. Inicialmente ajuste a pressão do ar no valor mínimo recomendado para a pressão permitida.
- Não tente manter o gatilho ou o elemento de contacto apertado utilizando fita ou fios. Isso pode causar ferimentos graves ou morte.
- Inspeccione sempre o elemento de contacto como descrito neste manual. Os pregos podem sair acidentalmente se o mecanismo de segurança não estiver a funcionar correctamente.

GUARDE ESTAS INSTRUÇÕES.

INSTALAÇÃO

Seleção do compressor (Fig. 1)

O compressor de ar deve estar de acordo com os requisitos da norma EN60335-2-34.

Selecione um compressor que tenha ampla pressão e saída de ar para garantir uma operação com eficiência de custo. O gráfico ilustra a relação entre a frequência de pregar, pressão aplicável e saída do ar comprimido.

Por exemplo, se pregar a uma taxa de aproximadamente 50 vezes por minuto, a uma compressão de 1,76 MPa (17,6 bar), é necessário um compressor com saída de ar de 90 litros/minuto.

Se a pressão do ar fornecido exceder a pressão indicada na ferramenta, será necessário utilizar reguladores de pressão para limitar a pressão do ar de acordo com a pressão indicada para a ferramenta. Caso contrário, poderá resultar em ferimentos graves ao operador da ferramenta ou a outras pessoas nas proximidades.

Seleção da mangueira de ar (Fig. 2)

Utilize uma mangueira de ar resistente à alta pressão.

Utilize uma mangueira de ar tão larga e tão curta quanto possível para garantir uma operação contínua e eficiente.

PRECAUÇÃO:

- Pouca saída de ar do compressor ou uma mangueira de ar longa e com diâmetro pequeno em relação à frequência de pregagem pode diminuir a capacidade de operação da ferramenta.

Lubrificação

Para garantir o máximo desempenho, instale um conjunto de ar (recipiente de óleo, regulador e filtro de ar) o mais próximo possível da ferramenta. Ajuste o recipiente de óleo de forma que forneça uma gota de óleo para cada 30 pregos. (Fig. 3)

Se não utilizar um conjunto de ar, lubrifique a ferramenta com óleo pneumático colocando 2 (duas) ou 3 (três) gotas no conector de ar. Isto deve ser feito antes e depois da utilização. Para lubrificação adequada, a ferramenta deve ser accionada algumas vezes após colocar o óleo pneumático. (Fig. 4)

DESCRIÇÃO FUNCIONAL

PRECAUÇÃO:

- Desconecte sempre a mangueira antes de ajustar ou inspeccionar as funções da ferramenta.

Ajustar a penetração do prego (Fig. 5 e 6)

PRECAUÇÃO:

- Desconecte sempre a mangueira antes de ajustar a penetração do prego.

Se os pregos penetrarem demais, rode o ajustador para a direita. Se os pregos não penetrarem o suficiente, rode o ajustador para a esquerda.

A profundidade ajustável é 0 a 6 mm. (Uma rodada completa ajusta 0,8 mm.)

Gancho (Fig. 7)

PRECAUÇÃO:

- Desconecte sempre a mangueira ao pendurar a ferramenta pelo gancho.
- Nunca pendure a ferramenta no cinto ou em algo semelhante. Pode ocorrer um accionamento acidental perigoso.

O gancho é conveniente para pendurar a ferramenta temporariamente. Este gancho pode ser instalado em qualquer um dos lados da ferramenta.

Ao mudar a posição da instalação, remova o parafuso com uma chave. Instale o gancho no outro lado e afixe-o com o parafuso.

Utilizar o bico adaptador (Fig. 8)

PRECAUÇÃO:

- Desconecte sempre a mangueira antes de instalar ou remover o bico adaptador.

Para proteger a superfície da peça de trabalho, instale o bico adaptador do elemento de contacto.

Ao pregar em superfícies de peças de trabalho que sejam tão facilmente danificadas, utilize o bico adaptador. Para instalar o bico adaptador no braço de contacto, pressione-o no braço de contacto até que as três saliências dentro do bico adaptador se encaixem nos três orifícios do braço de contacto.

MONTAGEM

PRECAUÇÃO:

- Desconecte sempre a mangueira antes de carregar com pregos o pregador.

Carregar o pregador

PRECAUÇÃO:

- Certifique-se de que ajusta a placa de suporte do rolo na etapa correcta conforme os pregos utilizados.

Desconecte a mangueira de ar da ferramenta.

Selecione pregos apropriados para o trabalho. Aperte a alavanca do trinco e abra a porta e a tampa do carregador. (Fig. 9)

Levante e rode a placa de suporte do rolo de forma que a seta indicadora da dimensão do prego na placa de suporte aponte para a graduação correspondente indicada no carregador. Se operar a ferramenta com a placa de suporte do rolo regulada na etapa incorrecta, o reabastecimento de pregos poderá ser inadequado ou poderá ocorrer o mau funcionamento. (Fig. 10)

Coloque o rolo de pregos sobre a placa de suporte do rolo. Desenrole pregos o suficientes para alcançar a garra de avanço. Coloque o primeiro prego no canal do pregador e o segundo na garra de avanço.

Coloque os outros pregos desenrolados no chassi do alimentador. Depois de verificar que o rolo de pregos está devidamente instalado no carregador, feche a tampa do carregador devagar até que se trave. (Fig. 11)

Conectar a mangueira de ar

Deslize o soquete da mangueira de ar no conector de ar do pregador. Assegure-se que o soquete de ar se trave firmemente no lugar quando instalado no acessório de ar. Um acoplamento de mangueira deve ser instalado na ferramenta ou próximo da mesma de forma que a reserva de pressão descarregue no momento que o acoplamento de fornecimento de ar for desconectado.

OPERAÇÃO

PRECAUÇÃO:

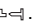

• Certifique-se de que todos os sistemas de segurança estão a funcionar adequadamente antes da operação.

1. Para pregar, coloque o elemento de contacto contra a peça de trabalho e aperte o gatilho ou
 2. primeiro aperte o gatilho e depois coloque o elemento de contacto contra a peça de trabalho. (Fig. 12 e 13)
- O método nº (1) é para pregagem intermitente, quando deseja pregar cuidadosa e precisamente. O método nº (2) é para pregagem contínua.

PRECAUÇÃO:

• Entretanto, quando a ferramenta está no modo de "Pregagem intermitente", COM O GATILHO APERTADO ATÉ A METADE, pode ocorrer um disparo inesperado se permitir que o elemento de contacto toque outra vez na peça de trabalho ou em outra superfície durante o retrocesso.

Para evitar um disparo inesperado, proceda como a seguir:

- A. Não force demais o elemento de contacto contra a peça de trabalho.
 - B. Aperte o gatilho até o fim e segure-o por 1 ou 2 segundos depois de pregar.
- Para o método nº (1), ajuste a alavanca de alteração na posição .
- Para o método nº (2), ajuste a alavanca de alteração na posição .

Ao utilizar a alavanca de alteração para mudar o método de pregagem, certifique-se sempre de que a ajusta devidamente na posição do método de pregagem desejado. (Fig. 14 e 15)

Pregar em placas de aço (Fig. 16 e 17)

IMPORTANTE:

- Utilize placas de aço em forma de C de 2,3 mm ou menos.
A ferramenta saltará demais e poderá atirar um prego para trás, causando ferimentos graves.
- Utilize somente pregos duros para placas de aço.
A utilização de pregos projectados para outra finalidade pode causar ferimentos graves.
- Ao pregar, segure a ferramenta perpendicular à superfície onde efectua a pregagem.
A pregagem inclinada pode atirar os pregos de volta, causando ferimentos graves.

- Ao pregar uma placa corrugada de zinco numa de aço em forma de C, utilize uma placa de 0,7 mm ou menos de espessura e pregos duros de 32 mm de comprimento. Caso contrário, os pregos podem ser atirados de volta, causando ferimentos graves.
- Não utilize a ferramenta para pregar no tecto ou telhado.

Escolha e utilize pregos cujo comprimento seja superior a 10 mm além da espessura total de todas as peças de trabalho a serem pregadas, consultando a tabela abaixo.

Espessura do material (mm)	Comprimento do prego (mm)
1,8 – 22	32
10 – 27	38
15 – 30	45
15 – 38	50

PRECAUÇÃO:

- Dependendo da dureza e da espessura total de todas as peças de trabalho a serem pregadas juntas, poderá não ser possível obter a fixação suficiente. Pregar numa placa de aço com penetração excessiva pode reduzir substancialmente a potência de fixação. Antes de pregar, ajuste a penetração devidamente.
- Ao pregar numa placa de aço, o pregador pode ficar obstruído devido a desgaste. Se estiver desgastado, amole ou substitua-o por um novo.

Pregar em betão (Fig. 18)

IMPORTANTE:

- Utilize somente pregos duros para betão.
- A utilização de pregos projectados para outra finalidade pode causar ferimentos graves. Não pregue directamente no betão nem pregue a placa de aço directamente no betão. Caso contrário, fragmentos de betão podem ser arremessados ou pregos podem ser atirados de volta, causando ferimentos graves.
- Ao pregar, segure a ferramenta perpendicular à superfície onde efectua a pregagem.
A pregagem inclinada pode arremessar fragmentos de betão ou atirar pregos de volta, causando ferimentos graves.
- Não utilize em superfícies onde haja objectos pendurados, como em áreas onde estão instalados ganchos para tubulação de esgotos, tubulação de aspirador de pó, etc.

Escolha e utilize pregos cuja penetração no betão seja entre 10 mm a 15 mm, consultando a tabela abaixo.

Espessura da madeira (mm)	Comprimento do prego (mm)	Betão (mm)
20	32	Aprox. 12
25	38	Aprox. 13
30	45	Aprox. 15
35	50	Aprox. 15

PRECAUÇÃO:

- Utilize esta ferramenta apenas em betão ainda mole, sem estar totalmente seco. A utilização em betão duro pode entortar o prego ou impedir que o prego penetre o suficiente.

- Se a penetração no betão for superior a 15 mm, pode não ser possível obter o comprimento suficiente.

Cortar a folha (Fig. 19)

PRECAUÇÃO:

- Desconecte sempre a mangueira antes de cortar a folha.

Corte a folha de abastecimento na direcção da seta quando utiliza os pregos electrosoldados em folha.

MANUTENÇÃO

PRECAUÇÃO:

- Desconecte sempre a mangueira de ar da ferramenta antes de efectuar qualquer inspecção ou manutenção.

Pregador enterrado (Fig. 20 e 21)

PRECAUÇÃO:

- Desconecte sempre a mangueira de ar e retire o carregador antes de eliminar a obstrução.

Se o pregador ficar encravado, proceda como a seguir: Abra a tampa do carregador e retire o rolo de pregos. Insira uma vareta pequena ou algo semelhante no porto de ejeção e bata de leve na mesma com um martelo para retirar o prego que está a obstruir o porto de ejeção. Recoloque o rolo de pregos e feche a tampa do carregador.

Drenar a ferramenta

Retire a mangueira da ferramenta. Posicione a ferramenta de forma que o acessório de ar fique voltado para o chão. Drene o máximo possível.

Limpeza da ferramenta

Limpe a poeira magnética que se adere ao ímã com um soprador.

Tampa (Fig. 22)

Se não for utilizar, desconecte a mangueira. A seguir, feche a tampa do acessório de ar.

Armazenagem

Se não for utilizar, guarde o pregador em um local quente e seco.

Manutenção do compressor, conjunto de ar e mangueira de ar

Sempre esvazie o tanque do compressor e o filtro de ar após a operação. Se humidade penetrar na ferramenta, poderá afectar o desempenho ou causar falha da ferramenta. (Fig. 23 e 24)

Inspeccione regularmente para ver se há óleo pneumático suficiente no recipiente de óleo do conjunto de ar. Se não efectuar a lubrificação suficiente, os anéis O-rings se desgastarão rapidamente. (Fig. 25)

Mantenha a mangueira de ar afastada do calor (acima de 60°C ou 140°F) e de produtos químicos (diluente, ácidos fortes e álcalis). Também, coloque a mangueira longe de obstáculos nos quais a mesma possa ser presa perigosamente durante a operação.

A mangueira também deve ser direccionada longe de arestas aguçadas ou áreas que possam causar danos ou abrasão na mangueira. (Fig. 26)

Para manter a SEGURANÇA e a CONFIABILIDADE do produto, reparo, qualquer outra manutenção ou ajustamentos devem ser realizados por centros de assistência autorizada Makita, sempre utilizando peças de reposição originais Makita.

ACESSÓRIOS

PRECAUÇÃO:

- Estes acessórios ou acoplamentos são os recomendados para uso na ferramenta MAKITA especificada neste manual. A utilização de qualquer outro acessório ou acoplamento poderá ser perigosa para o operador. Os acessórios ou acoplamentos devem ser utilizados de maneira adequada e apenas para os fins a que se destinam.

No caso de necessitar ajuda para mais detalhes sobre estes acessórios, consulte ao departamento de assistência local da Makita.

- Pregos
- Mangueira de ar
- Óculos de segurança

ENG102-3

Ruído

A característica do nível de ruído A determinado de acordo com EN792:

Nível de pressão de som (L_{pA}): 86 dB (A)

Nível do som (L_{WA}): 99 dB (A)

Variabilidade (K): 3 dB (A)

Utilize protectores para os ouvidos

ENG233-2

Vibração

Valor da emissão de vibração determinado conforme EN792:

Emissão de vibração (a_{hv}): 3,0 m/s²

Variabilidade (K): 1,5 m/s²

ENG901-1

- O valor da emissão de vibração indicado foi medido de acordo com o método de teste padrão e pode ser utilizado para comparar duas ferramentas.
- O valor da emissão de vibração indicado pode também ser utilizado na avaliação preliminar da exposição.

AVISO:

- A emissão de vibração durante a utilização real da ferramenta eléctrica pode diferir do valor de emissão indicado, dependendo das formas como a ferramenta é utilizada.
- Certifique-se de identificar as medidas de segurança para protecção do operador que sejam baseadas em uma estimativa de exposição em condições reais de utilização (considerando todas as partes do ciclo de operação, tal como quando a ferramenta está desligada e quando está a funcionar em marcha lenta além do tempo de accionamento).

Só para países Europeus

Declaração de conformidade CE

Nós, a Makita Corporation, fabricante responsável, declaramos que a(s) seguinte(s) ferramenta(s) Makita:

Designação da ferramenta: Pregador para construção
Modelos n.º/Tipo: AN610H
são de produção de série e

Em conformidade com as seguintes directivas europeias:

98/37/EC até 28 de dezembro de 2009 e 2006/42/

EC a partir de 29 de dezembro 2009

E estão fabricados de acordo com as seguintes normas ou documentos normativos:

EN792

A documentação técnica é mantida pelo nosso representante autorizado na Europa:

Makita International Europe Ltd.
Michigan Drive, Tongwell,
Milton Keynes, MK15 8JD, Inglaterra

30 de janeiro de 2009



Tomoyasu Kato
Director

Makita Corporation
3-11-8, Sumiyoshi-cho,
Anjo, Aichi, JAPAN

Illustrationsoversigt

1	Afgivelse af kompressorluft pr. minut	15	Dør	28	Søm idrevet til en korrekt dybde.
2	Sømningsfrekvens (gange/min.)	16	Justerer	29	Søm, der idrives for dybt, vil bevirke, at arbejdsstykket deformeres
3	Justeringsenhed	17	Skifteplade	30	Sømlængde
4	Lav	18	Pil	31	Tykkelse af træ
5	Dyb	19	Sømguide	32	Betonområde 10 – 15 mm
6	For dyb	20	Føder	33	Lille rør
7	Lige	21	Afbryderkontakt	34	Skruetrækker
8	For lav	22	Kontaktelement	35	Hætte
9	Krog	23	Skiftearm	36	Aftapningshane
10	Hul	24	0,7 mm eller mindre tykkelse for stålplade	37	Luffilter
11	Frømspring	25	Tykkelse af arbejdsstykke	38	Smørenippel
12	Spidsadapter	26	10 mm eller mere	39	Trykluftsolie
13	Magasinhætte	27	C-formet stål (tykkelse 1,6 mm – 2,3 mm)		
14	Låsearm				

SPECIFIKATIONER

Model	AN610H
Lufttryk	0,98 – 2,26 MPa (9.8 – 22.6 bar)
Sømlængde	Trådforbundet spolesøm 32 mm – 65 mm Pladeforbundet spolesøm 32 mm – 65 mm
Sømkapacitet	Trådforbundet spolesøm 250 stk., 300 stk., 400 stk. Pladeforbundet spolesøm 200 stk.
Min. slangediameter	5,0 mm
Mål (B x H x D)	282 mm x 277 mm x 136 mm
Nettovægt	1,9 kg

- Ret til tekniske ændringer forbeholdes.
- Specifikationer kan variere fra land til land.
- Vægt i henhold til EPTA-Procedure 01/2003

Brugsformål

Denne maskine er beregnet til preliminært indendørs arbejde, som for eksempel reparation af gulvsammenføjninger eller almindelige bjælker og rammer i 2" x 4" sammenfældning.

ENB109-1

VIGTIGE SIKKERHEDSFORSKRIFTER

ADVARSEL:

NÅR DENNE MASKINE ANVENDES, BØR MAN ALTID OVERHOLDE DE GRUNDLÆGGENDE SIKKERHEDSBESTEMMELSER, INKLUSIVE FØLGENDE:

LÆS ALLE INSTRUKTIONERNE.

- Læs denne brugsvejledning, inden De tager maskinen i brug, således at personlig sikkerhed og vedligeholdelse af maskinen sikres.
- Brug altid beskyttelsesbriller, så Deres øjne er beskyttet mod støv og skader, som kan forårsages af søm.

ADVARSEL:

Det påhviler arbejdsgiveren at håndhæve anvendelsen af sikkerhedsudstyr for øjnene, som anvendes af brugeren eller andre personer i umiddelbar nærhed af arbejdsområdet.

- Anvend høreværn til beskyttelse af hørelsen mod støj fra udstødningen og anvend ligeledes hovedbeskyttelse. Anvend desuden altid let, men ikke løs beklædning. Ærmer bør være knappet eller rullet op. Undgå at bære slips.
- Der er farligt at forcere arbejdet eller presse maskinen. Hånder maskinen med forsigtighed. Anvend ikke maskinen under indflydelse af alkohol, medikamenter og lignende.
- Generelle retningslinier for anvendelse af maskinen:
 1. Tag det altid for givet at maskinen indeholder søm.
 2. Ret ikke maskinen mod Dem selv eller andre, hverken når den indeholder søm eller ikke.
 3. Aktiver ikke maskinen, med mindre den er placeret fast mod arbejdsområdet.
 4. Respekter maskinen som et arbejdsredskab.
 5. Det er forbudt at lege med maskinen.
 6. Lad være med at holde eller bære maskinen med en finger på afbryderkontakten.
 7. Lad ikke maskinen med søm, hvis en af betjeningskontrollerne er aktiveret.
 8. Anvend ikke maskinen med nogen anden strømkilde end den, der er specificeret i maskinens brugsvejledning/sikkerhedsforskrifter.
- En maskine, der ikke fungerer korrekt, må ikke anvendes.

- Der forekommer af og til gnistdannelse, når maskinen anvendes. Anvend ikke maskinen i nærheden af flygtige, antændelige materialer som for eksempel benzin, fortynder, maling, gas, klæbemidler osv. Disse materialer kan antændes og eksplodere med alvorlig personskade til følge.
- Arbejdsområdet bør være tilstrækkeligt oplyst, så arbejdet kan foregå sikkerhedsmæssigt forsvarligt. Arbejdsområdet bør være ryddeligt og fri for affald. Vær særlig omhyggelig med at opretholde et godt fodfæste og en god balance.
- Kun personer, som har med arbejdet at gøre, bør opholde sig i området. Specielt børn bør til alle tider holdes borte fra området.
- Der kan være lokale bestemmelser om støj, som skal overholdes, ved at støjniveauet holdes indenfor de foreskrevne grænser. I visse tilfælde bør der anvendes skodder til at dæmpe lyden.
- Lad være med at lege med kontaktelelementet: det forebygger utilsigtet afladning, hvortil det altid skal sidde på og ikke må fjernes. Fastlåsnings af afbryderkontakten i aktiveret stilling (ON) er ligeledes meget farligt. Forsøg aldrig at fastlåse afbryderkontakten. Anvend ikke en maskine, hvis nogen dele af dens betjeningskontroller er inoperative, afbrudte, ændrede eller ikke er funktionsdygtige.
- Anvend kun maskinen indenfor det anbefalede lufttryk på 0,98 – 2,26 MPa (9,8 – 22,6 bar), således at maskinens sikkerhed opretholdes og dens levetid bliver længere. Oveskrid ikke det anbefalede, maksimale brugstryk på 2,26 MPa (22,6 bar). Maskinen bør ikke tilsluttes en strømkilde, hvis tryk potentielt overstiger 3,39 MPa (33,9 bar).
- Sørg for, at det tryk, som leveres af trykluftssystemet, ikke overstiger det maksimale tilladte tryk for maskinen. Indstil først trykket til den laveste værdi for det anbefalede, tilladte tryk (se SPECIFIKATIONER).
- Anvend aldrig maskinen med andet en trykluft. Hvis flaskegas (kuldioxid, ilt, nitrogen, hydrogen, luft osv.) eller brændbar gas (hydrogen, propan, acetylen osv.) anvendes som brændstof til denne maskine, vil maskinen eksplodere og medføre alvorlig personskade.
- Kontroller altid maskinens generelle tilstand og om der er løse skruer inden anvendelsen. Stram som påkrævet.
- Sørg for, at alle sikkerhedssystemer er i korrekt funktionsstand inden anvendelsen. Maskinen må ikke anvendes, hvis kun afbryderkontakten er aktiveret eller hvis kun kontaktarmen er trykket mod træet. Den må kun anvendes, hvis begge handlinger udføres. Se efter, om der er fejlagtig operation uden isatte søm eller om trykanordningen er i fuldt indtrykket position.
- Kontroller omhyggeligt vægge, lofter, gulve, tagmaterialer og lignende for at undgå risiko for elektrisk stød, udsivning af gas, eksplosion osv., som er forårsaget af berøring af strømførende ledninger, ledningsrør eller gasrør.
- Anvend kun søm af den type, som er specificeret i denne brugsvejledning. Anvendelse af andre typer søm kan bevirke, at maskinen ikke fungerer som det skal.
- Anvend aldrig maskiner, som er mærket med symbolet "Må ikke anvendes på stilladser, stiger" til specifikke anvendelser som for eksempel:
 - når ændring af et idrivningsområde indebærer anvendelse af stilladser, trapper, stiger eller stigelignende konstruktioner, for eksempel taglægter,
 - ved lukning af kasser og tremmekasser,
 - fastgøring af sikkerhedssystemer osv. på køretøjer og vogne.
- Tillad ikke, at uerfarne personer anvender maskinen.
- Sørg for, inden maskinen tages i brug, at der ikke er nogen personer i nærheden. Forsøg aldrig at sømme fra både indersiden og ydersiden samtidigt. Søm kan flænse igennem træet og/eller slynges af, hvilket kan være meget farligt.
- Sørg for solidt fodfæste og hold altid balancen med maskinen. Bekræft, at der ikke befinder sig nogen personer nedenunder, når De arbejder i højden, og fastgør luftslangen for at forebygge fare, hvis der skulle opstå pludselig rysten eller fastklemning.
- Hvis De arbejder på et tag, skal De sømme i takt med at De bevæger Dem fremad. De kan nemt miste fodfæstet, hvis De sømmer, mens De bevæger Dem langsomt tilbage. Når De sømmer mod vinkelrette flader, skal De altid sømme fra toppen og nedefter. På denne måde kan De arbejde uden at blive træet.
- Et søm vil blive bøjet eller maskinen kan gå i stå, hvis De kommer til at idrive et søm ovenpå et andet søm eller ramme en knast i træet. Sømmet kan blive slynget ud og ramme nogen eller selve maskinen kan reagere på en måde, der er farlig. Placer sømmene med omhu.
- Efterlad ikke den ladte maskine eller luftkompressoren under tryk i solen i et længere tidsrum. Sørg for, at støv, sand, spåner og fremmedlegemer ikke kommer ind i maskinen på det sted, hvor den efterlades.
- Ret ikke ejektionsporten mod nogen i nærheden. Hold hænder og fødder på god afstand af ejektionsporten.
- Når luftslangen er tilsluttet, må De ikke bære maskinen med en finger på afbryderkontakten eller række den til nogen anden person i denne tilstand. Utilsigtet affyring kan være meget farligt.
- Behandl maskinen forsigtigt, da der er højtryk inden i den, som kan udgøre en fare, hvis der opstår en revne på grund af voldsom håndtering (tab eller slag). Forsøg ikke at skære eller grave i maskinen.
- Indstil øjeblikkeligt søm-idrivningen, hvis De registrerer en eller anden fejl eller noget usædvanligt ved maskinen.
- Tag altid luftslangen ud af forbindelse og fjern samtlige søm:
 9. Når uovervåget.
 10. Inden vedligeholdelse eller reparation udføres.
 11. Inden fastklemning udbedres.
 12. Inden maskinen flyttes til et nyt sted.
- Udfør rengøring og vedligeholdelse lige efter at arbejdet er afsluttet. Sørg altid for, at maskinen er i tip-top stand. Smør de bevægelige dele for at forhindre rustdannelse og minimere friktionsrelateret slidage. Tør al støv bort fra delene.
- Der må ikke udføres ændringer på maskinen uden tilladelse fra Makita.
- Få et af Makita autoriseret servicenter til at udføre et periodisk eftersyn af maskinen.
- For at opretholde SIKKERHEDEN og PÅLIDELIGHEDEN af produktet, bør vedligeholdelse og reparationer altid udføres af et af Makita autoriseret servicenter med anvendelse af originale Makita-reservedele.
- Anvend udelukkende olie til trykluftsværktøj i denne brugsvejledning.



- Tilslut aldrig maskinen til en trykluftsledning, hvor det maksimalt tilladte tryk for maskinen ikke kan overstiges med 10%. Sørg for, at det tryk, som leveres af trykluftsystemet, ikke overstiger det maksimalt tilladte tryk for maskinen. Indstil først luftrykket til den laveste værdi for det anbefalede, tilladte tryk.
- Forsøg ikke at holde afbryderkontakten eller kontaktelelementet nede med tape eller ståltråd. Død eller alvorlig tilskadekomst kan blive resultatet.
- Kontrollér altid kontaktelelementet som anvist i denne brugsvejledning. Søm kan blive utilsigtet idrevet, hvis sikkerhedsmekanismen ikke fungerer korrekt.

GEM DISSE INSTRUKTIONER.

INSTALLATION

Valg af kompressor (Fig. 1)

Luftkompressoren skal være i overensstemmelse med kravene i EN60335-2-34.

Vælg en kompressor, som leverer et fornødent tryk og tilstrækkelig luft til at en omkostningseffektiv anvendelse sikres. Grafen viser forholdet mellem hyppigheden af søm-idrivning, anvendt tryk og kompressorluft.

Hvis søm-idrivning for eksempel således finder sted med en hastighed af cirka 50 gange i minuttet ved en kompression på 1,76 MPa (17,6 bar), vil en kompressor med en luftafgivelse på over 90 liter/minut være påkrævet.

Trykregulatorer skal anvendes til at begrænse maskinens luftryk, hvor forsyningsluftrykket overstiger maskinens nominelle tryk. Forsømmelse af dette kan resultere i alvorlig tilskadekomst af maskinoperatøren eller personer i nærheden.

Valg af luftslange (Fig. 2)

Benyt en højtryksmodstandsdygtig luftslange.

Anvend en luftslange, som er så stor og kort som muligt, for at sikre en uafbrudt og effektiv søm-idrivning.

FORSIGTIG:

- Lav luftafgivelse fra kompressoren eller en luftslange med en mindre diameter i relation til hyppigheden af søm-idrivning kan forårsage en mindskning i maskinens drivkapacitet.

Smøring

For at sikre maksimal ydelse, skal der monteres et luft-sæt (smørenippel, regulator, luftfilter) så nær maskinen som muligt. Juster smørenipelen, således at en enkelt dråbe olie kommer ud for hver 30 søm. (Fig. 3)

Når luftsættet ikke anvendes, skal maskinen smøres med olie til luftryksværktøj ved at man kommer 2 (to) eller 3 (tre) dråber ind i lufttilslutningen. Dette bør gøres før og efter brugen. For at en ordentlig smøring kan opnås, skal maskinen affyres et par gange efter at den er forsynet med olie til trykluftsværktøj. (Fig. 4)

FUNKTIONSBESKRIVELSE

FORSIGTIG:

- Tag altid slangen af, inden De justerer og kontrollerer funktionen på maskinen.

Justering af sømningsdybden (Fig. 5 og 6)

FORSIGTIG:

- Tag altid slangen af, inden De indstiller sømningsdybden.

Hvis et søm drives for dybt i, skal justeringsenheden drejes med uret. Hvis et søm drives for kort i, skal justeringsenheden drejes mod uret.

Det justerbare område er 0 mm - 6 mm. (En fuld omdrejning muliggør en justering på 0,8 mm).

Krog (Fig. 7)

FORSIGTIG:

- Tag altid slangen af, når De anbringer maskinen på krogen.
- Hæng aldrig maskinen i et bælte livremmen eller lignende. Dette kan resultere i utilsigtet, farlig affyring.

Krogen er beregnet til midlertidig ophængning af maskinen. Krogen kan monteres på begge sider af maskinen. Når monteringspositionen ændres, skal skruen fjernes med en skruetrækker. Monter krogen på en anden side for montering og fastgør den derefter med skruen.

Benyt en spidsadapter (Fig. 8)

FORSIGTIG:

- Tag altid slangen af, inden De monterer eller fjerner spidsadapteren.

Påmonter kontaktelelementets spidsadapter, hvis De ønsker at beskytte arbejdsstykkets overflade.

Benyt spidsadapteren, når der udføres sømning i arbejdsstykker, som nemt odelægges. For at montere spidsadapteren på kontaktarmen, skal man trykke den på kontaktarmen, så fremspringet på tre steder inden i spidsadapteren passer ind i de tre huller i kontaktarmen.

SAMLING

FORSIGTIG:

- Tag altid luftslangen af, inden De sætter søm i sømpistol.

Isætning af sømholder

FORSIGTIG:

- Sørg for, at spolestøttepladen er sat til det korrekte trin for brugte søm.

Lås afbryderkontakten og tag luftslangen af maskinen.

Vælg de søm, som er egnede til Deres arbejde. Tryk låsearmen ned og åbn døren og magasinhætten. (Fig. 9)

Løft og drej spolestøttepladen, så pilen med sømstørrelsen vist på spolestøttepladen peger mod det modsvarende gradueringstrin på magasinet. Hvis maskinen benyttes med spolestøttepladen sat til det forkerte trin, kan dårlig fremføring af søm eller fejlfunktion af maskinen blive resultatet. (Fig. 10)

Anbring sømspolen over spolestøttepladen. Frigør nok søm, så de når fremføringskloen. Anbring det første søm i idrivningskanalen og det andet søm i fremføringskloen.

Anbring flere frigjorte søm i føderen. Luk magasinhætten langsomt, så den låses, efter at De har bekræftet, at sømspolen sidder korrekt i magasinet. (Fig. 11)

Montering af luftslangen



Anbring luftbøsningen på luftslangen på lufttilslutningen på sømholderen. Sørg for, at luftbøsningen låses godt på plads, når den monteres på lufttilslutningen. Det er nødvendigt at montere en slangekobling på eller nær maskinen på en sådan måde, at trykreservoaret vil forsvinde, når luftforsyningkoblingen tages ud af forbindelse.

ANVENDELSE

FORSIGTIG:

- Sørg for, at alle sikkerhedssystemer er i korrekt funktionsstand inden anvendelsen.
- 1. For at idrive et søm, kan De placere kontaktelelementet mod arbejdsstykket og aktivere afbryderkontakten. eller
- 2. Aktivere først afbryderkontakten og anbring derefter kontaktelelementet mod arbejdsemnet. (Fig. 12 og 13)
- Metode nr. (1) er til indvendig søm-idrivning, hvis De ønsker en meget omhyggelig og præcis søm-idrivning. Metode nr. (2) er til uafbrudt søm-idrivning.

FORSIGTIG:

- Hvis maskinen imidlertid er indstillet til funktionen for "Intermittent Nailing" (intermitterende sømning), MED AFBRYDERKONTAKTEN HOLDT I EN HALVT INDTRYKKET STILLING, kan en uventet sømning finde sted, hvis kontaktelelementet får lov til at kontakte arbejdsstykket eller den anden flade igen under indflydelse af tilbageslag. Udfør nedenstående, således at utilsigtet sømning undgås.
 - A. Anbring ikke kontaktelelementet mod arbejdsstykket med for megen kraft.
 - B. Tryk afbryderkontakten helt ind og hold den der i 1 – 2 sekunder efter sømning.
 - For metode nr. (1) skal skiftearmen sættes i stilling .
 - For metode nr. (2) skal skiftearmen sættes i stilling .
- Når sømningsmetoden er ændret ved hjælp af skiftearmen, skal De altid sørge for, at skiftearmen korrekt er sat til stillingen for den ønskede sømningsmetode. (Fig. 14 og 15)

Sømning i stålplade (Fig. 16 og 17)

ADVARSEL:

- Benyt 2,3 mm eller mindre stål til C-formet stål. Maskinen vil hoppe kraftigt og et søm vil slå tilbage med alvorlig tilskadekomst som resultat.
- Benyt kun hærdede søm til stålplader. Anvendelse af andre typer søm kan resultere i alvorlig tilskadekomst.
- Under idrivning af søm skal maskinen holdes således, at den står opret i forhold til idrivningsfladen. Skæv sømning kan bevirke, at sømmene slår tilbage med alvorlig tilskadekomst som resultat.
- Når De fastgør en riflet zinkplade på det C-formede stål, skal der anvendes en 0,7 mm eller tyndere plade og 32 mm lange, hærdede søm. Forsømmelse af dette kan bevirke, at sømmene slår tilbage med alvorlig tilskadekomst som resultat.
- Benyt ikke maskinen til sømning i lofter eller tag.

Vælg og benyt søm, som er mere end 10 mm længere end hele arbejdsstykkets tykkelse til fastgørelse i henhold til nedenstående oversigt.

Materialetykkelse (mm)	Sømlængde (mm)
1,8 – 22	32
10 – 27	38
15 – 30	45
15 – 38	50

FORSIGTIG:

- Afhængigt af hårdheden og den totale tykkelse af hele arbejdsstykket i kombination, der skal fastgøres, er det ikke sikkert, at en tilstrækkelig fastgørelse kan opnås. Sømning i stålplader i ekstrem dybde kan reducere fastgørelsesstyrken i høj grad. Inden sømningen udføres, skal De justere sømningsdybden korrekt.
- Ved sømning i stålpladen, kan drivenheden blive tilstoppet på grund af dens tendens til at nedslides. Hvis den er nedslidt, skal den skærpes eller udskiftes med en ny.

Sømning i beton (Fig. 18)

ADVARSEL:

- Benyt kun hærdede søm til beton.
- Anvendelse af andre typer søm kan resultere i alvorlig tilskadekomst. Sø m ikke direkte i beton og fastgør ikke stålpladen direkte på betonen. Forsømmelse af dette kan bevirke, at betonfragmenter slynges af eller at søm slår tilbage med alvorlig tilskadekomst som resultat.
- Under idrivning af søm skal maskinen holdes således, at den står opret i forhold til idrivningsfladen. Skæv sømning kan bevirke, betonfragmenter slynges af eller at søm slår tilbage med alvorlig tilskadekomst som resultat.
- Bør ikke benyttes på en overflade, hvorfra der hænger genstande, som for eksempel i et område, hvor kloakrør, støvrør etc. forefindes.

Vælg og anvend søm således, at gennemtrængningen i beton udgør 10 mm – 15 mm i henhold til nedenstående oversigt.

Tykkelse af træ (mm)	Sømlængde (mm)	Beton (mm)
20	32	Cirka 12
25	38	Cirka 13
30	45	Cirka 15
35	50	Cirka 15

FORSIGTIG:

- Benyt kun denne maskine til blød beton, der er forholdsvis ny. Anvendelse på hård beton kan bevirke, at sømmene bøjer eller at sømningen ikke bliver tilstrækkelig dyb.
- Hvis gennemtrængningen i beton er mere end 15 mm, er det ikke sikkert, at sømning med en tilstrækkelig længde kan opnås.

Afskæring af pladen (Fig. 19)

FORSIGTIG:

- Tag altid luftslangen af, inden pladen skæres af.
- Riv outputpladen af i pilens retning, når De anvender pladeforbundne søm.

VEDLIGEHOLDELSE

FORSIGTIG:

- Tag altid luftslangen af maskinen, inden De begynder at udføre eftersyn eller vedligeholdelse.

Sømpistol har sat sig fast (Fig. 20 og 21)

FORSIGTIG:

- Tag altid luftslangen af og fjern sømmene fra magasinet, inden De afhjælper en fastklæmning.

Gør følgende, hvis sømpistolen sætter sig fast:

Åbn magasinhætten og fjern sømspolen. Sæt en lille stang eller lignende ind i udstødsporten og bank på den med en hammer for at få det fastklemt søm ud fra udstødsporten. Indstil sømspolen igen og luk magasinhætten.

Afløbsværktøj

Tag slangen af maskinen. Anbring maskinen således, at luftdelen vender ned mod gulvet. Aftap så meget som muligt.

Rengøring af maskinen

Jernstøv, som sidder fast på magneten, kan blæses af ved hjælp af en blæser.

Hætte (Fig. 22)

Når slangen ikke anvendes, skal den tages af. Dæk derefter luftdelen med hættten.

Opbevaring

Når sømpistolen ikke anvendes, skal den opbevares på et varmt, tørt sted.

Vedligeholdelse af kompressor, luftsæt og luftslange

Efter brugen skal kompressortanken og luftfilteret altid tømmes ud. Hvis fugt får lov til at trænge ind i maskinen, kan resultatet blive dårlig ydelse og risiko for maskinsvigt. (Fig. 23 og 24)

Kontroller med jævne mellemrum, om der er tilstrækkelig trykløftsolie i smøreneppelen på luftsættet. Forsømmelse af tilstrækkelig smøring vil bevirke, at O-ringene hurtigt nedslides. (Fig. 25)

Hold luftslangen på god afstand af varme (over 60°C) og ligeledes på god afstand af kemikalier (fortynder, stærk syre og alkaliske stoffer). Sørg ligeledes for at føre slangen på god afstand af forhindringer, som kan komme i karambolage med slangen under arbejdet, hvilket kan være farligt.

Slanger skal desuden holdes borte fra skarpe kanter og områder, som kan føre til skade eller slitage på slangen. (Fig. 26)

For at opretholde SIKKERHEDEN og PÅLIDELIGHEDEN af produktet, bør vedligeholdelse og reparationer og justeringer altid udføres af et af Makita autoriseret servicecenter med anvendelse af originale Makita-reservedele.

TILBEHØR

FORSIGTIG:

- Det i denne manual specificerede tilbehør og anordninger anbefales til brug sammen med Deres Makita maskine. Brug af andet tilbehør og andre anordninger kan udgøre en risiko for personskade. Anvend kun tilbehør og anordninger til de beskrevne formål.

Hvis De behøver assistance eller yderligere detaljer om dette tilbehør, bedes De kontakte Deres lokale Makita servicecenter.

- Søm
- Luftslinger
- Sikkerhedsbriller

ENG102-3

Lyd

Det typiske A-vægtede støjniveau bestemt i overensstemmelse med EN792:

Lydtryksniveau (L_{pA}): 86 dB (A)
Lydeffektniveau (L_{WA}): 99 dB (A)
Usikkerhed (K): 3 dB (A)

Bær høreværn

ENG233-2

Vibration

Vibrations emissionsværdi bestemt i overensstemmelse med EN792:

Vibrationsafgivelse (a_{hv}): 3,0 m/s²
Usikkerhed (K): 1,5 m/s²

ENG901-1

- Den angivne vibrationsemissionsværdi er blevet målt i overensstemmelse med standardtestmetoden og kan anvendes til at sammenligne en maskine med en anden.
- Den angivne vibrationsemissionsværdi kan også anvendes i en preliminær eksponeringsvurdering.

ADVARSEL:

- Vibrationsemissionen under den faktiske anvendelse af maskinen kan være forskellig fra den erklærede emissionsværdi, afhængigt af den måde, hvorpå maskinen anvendes.
- Sørg for at identificere de sikkerhedsforskrifter til beskyttelse af operatøren, som er baseret på en vurdering af eksponering under de faktiske brugsforhold (med hensyntagen til alle dele i brugscyklen, som f.eks. de gange, hvor maskinen er slukket og når den kører i tomgang i tilgift til afbrydertiden).

Kun for lande i Europa

EU-konformitetserklæring

Vi, Makita Corporation, erklærer, som den ansvarlige fabrikant, at den (de) følgende Makita maskine(r):

Maskinens betegnelse: Konstruktionssømpistol

Model nr./Type: AN610H

er af serieproduktion og

opfylder betingelserne i de følgende EU-direktiver:

98/37/EC indtil 28. december 2009 og derefter med

2006/42/EC fra 29. december 2009

og er fremstillet i overensstemmelse med de følgende

standarder eller standardiserede dokumenter:

EN792

Den tekniske dokumentation opbevares af vores autoriserede repræsentant i Europa, som er:

Makita International Europe Ltd.

Michigan Drive, Tongwell,

Milton Keynes, MK15 8JD, England

30. januar 2009



Tomoyasu Kato
Direktør

Makita Corporation
3-11-8, Sumiyoshi-cho,
Anjo, Aichi, JAPAN

Περιγραφή γενικής άποψης

1	Εξαγωγή αέρος συμπιεστή ανά λεπτό	15	Είσοδος	28	Καρφί που έχει οδηγηθεί σε κατάλληλο βάθος
2	Συχνότητα καρφώματος (φορές/λεπ)	16	Ρύθμιση εφαρμογής	29	Καρφί που έχει οδηγηθεί σε υπερβολικό βάθος θα προκαλέσει παραμόρφωση των τεμαχίων εργασίας
3	Ρυθμιστής	17	Πλάκα αλλαγής	30	Μήκος καρφιού
4	Ρηχό	18	Βέλος	31	Πάχος ξύλου
5	Βαθύ	19	Οδηγός καρφιών	32	Εύρος σκυροδέματος 10 – 15 χιλ
6	Πολύ βαθύ	20	Τροφοδότης	33	Μικρή ράβδος
7	Ισόπεδο	21	Σκανδάλη	34	Κατσαβίδι
8	Πολύ ρηχό	22	Στοιχείο επαφής	35	Καπάκι
9	Γάντζος	23	Μοχλός αλλαγής	36	Κρουνός εκκένωσης
10	Οπή	24	Πάχος 0,7 χιλ ή μικρότερο για ατσάλινη πλάκα	37	Φίλτρο αέρος
11	Προεξοχή	25	Πάχος τεμαχίου εργασίας	38	Λιπαντήρας
12	Προσαρμογέας ρύγχους	26	10 χιλ ή μεγαλύτερο	39	Έλαιο πεπιεσμένου αέρος
13	Καπάκι γεμιστήρα	27	Ατσάλινη πλάκα σχήματος C (πάχος 1,6 χιλ – 2,3 χιλ)		
14	Μοχλός ασφάλισης				

ΤΕΧΝΙΚΑ ΧΑΡΑΚΤΗΡΙΣΤΙΚΑ

Μοντέλο	AN610H
Πίεση αέρος	0,98 – 2,26 MPa (9,8 – 22,6 bar)
Μήκος καρφιού	Συρμάτινη συνεχόμενη ρολοταινία καρφιών 32 χιλ – 65 χιλ Φύλλο συνεχόμενης ρολοταινίας καρφιών 32 χιλ – 65 χιλ
Χωρητικότητα καρφιών	Συρμάτινη συνεχόμενη ρολοταινία καρφιών 250 τεμ., 300 τεμ., 400 τεμ. Φύλλο συνεχόμενης ρολοταινίας καρφιών 200 τεμ.
Ελαχ. Διάμετρος σωλήνα	5,0 χιλ
Διαστάσεις (Μ x Υ x Π)	282 χιλ x 277 χιλ x 136 χιλ
Βάρος καθαρό	1,9 Χγρ

- Λόγω του συνεχιζόμενου προγράμματος έρευνας και ανάπτυξης, οι παρούσες προδιαγραφές υπόκεινται σε αλλαγή χωρίς προειδοποίηση.
- Τα τεχνικά χαρακτηριστικά μπορεί να διαφέρουν από χώρα σε χώρα.
- Βάρος σύμφωνα με διαδικασία ΕΡΤΑ 01/2003

Προοριζόμενη χρήση

Το εργαλείο προορίζεται για την προκαταρκτική εσωτερική εργασία όπως στερέωμα δοκών πατώματος ή κοινών δοκών στέγης και πλαίσια κατασκευής σπιτιών 2" x 4".

ENB109-1

ΣΗΜΑΝΤΙΚΕΣ ΟΔΗΓΙΕΣ ΑΣΦΑΛΕΙΑΣ

ΠΡΟΕΙΔΟΠΟΙΗΣΗ:

ΟΤΑΝ ΧΡΗΣΙΜΟΠΟΙΕΙΤΕ ΑΥΤΟ ΤΟ ΕΡΓΑΛΕΙΟ, ΠΑΝΤΟΤΕ ΠΡΕΠΕΙ ΝΑ ΑΚΟΛΟΥΘΕΙΤΕ ΒΑΣΙΚΕΣ ΠΡΟΦΥΛΑΞΕΙΣ ΑΣΦΑΛΕΙΑΣ ΓΙΑ ΝΑ ΜΕΙΩΣΕΤΕ ΤΟΝ ΚΙΝΔΥΝΟ ΠΡΟΣΩΠΙΚΟΥ ΤΡΑΥΜΑΤΙΣΜΟΥ, ΠΟΥ ΠΕΡΙΕΧΕΙ ΤΑ ΑΚΟΛΟΥΘΑ:

ΔΙΑΒΑΣΤΕ ΟΛΕΣ ΤΙΣ ΟΔΗΓΙΕΣ.

- Για προσωπική ασφάλεια και κατάλληλη λειτουργία και συντήρηση του εργαλείου, διαβάστε αυτό το εγχειρίδιο οδηγιών πριν χρησιμοποιήσετε το εργαλείο.
- Πάντοτε φοράτε γυαλιά ασφάλειας για να προστατεύσετε τα μάτια σας από σκόνη ή τραυματισμό από καρφιά.

ΠΡΟΕΙΔΟΠΟΙΗΣΗ:

Ο εργοδότης έχει την ευθύνη της επιβολής της χρήσης του προστατευτικού εξοπλισμού για την ασφάλεια ματιών των χειριστών του εργαλείου και άλλων ατόμων στην άμεση περιοχή εργασίας.

- Φοράτε προστατευτικά ακοής για να προστατεύσετε τα αυτιά σας από θόρυβο αξάτιμης καθώς και προστατευτικά κεφαλής. Επίσης φοράτε ελαφρά αλλά όχι χαλαρά ρούχα. Τα μανίκια πρέπει να είναι κουμπωμένα ή ανεβασμένα σε ρολό. Δεν πρέπει να φοράτε γραβάτα.
- Είναι επικίνδυνο να εργάζεστε με βιασύνη ή να εξασκείτε δύναμη στο εργαλείο. Χειρίζεστε το εργαλείο προσεκτικά. Μην λειτουργείτε όταν είστε κάτω από την επίρεια οινοπνεύματος, φαρμάκων ή παρομοίων ουσιών.
- Γενικές Οδηγίες Χειρισμού Εργαλείου:
 1. Πάντοτε θεωρείτε ότι το εργαλείο περιέχει καρφιά.
 2. Μην στρέψετε το εργαλείο προς τον εαυτό σας ή οποιονδήποτε άλλον είτε περιέχει καρφιά είτε όχι.
 3. Μην ενεργοποιήτε το εργαλείο εκτός εάν το εργαλείο είναι τοποθετημένο σταθερά στο τεμάχιο εργασίας.
 4. Παίρνετε το εργαλείο στα σοβαρά κατά την εκτέλεση εργασίας.
 5. Μην αστειεύετε με το εργαλείο.

6. Μη κρατάτε ή μεταφέρετε το εργαλείο με ένα δάκτυλο στην σκανδάλη.
 7. Μη γεμίζετε το εργαλείο με καρφιά όταν κάποιο από τα λειτουργικά του ελεγκτικά είναι ενεργοποιημένο.
 8. Μη λειτουργείτε το εργαλείο με οποιαδήποτε πηγή ενέργειας εκτός εκείνη που καθορίζεται στις οδηγίες ασφάλειας του εργαλείου.
- Ένα εργαλείο που δεν λειτουργεί σωστά δεν πρέπει να χρησιμοποιείται.
 - Μερικές φορές πετιούνται σπινθήρες κατά την χρήση του εργαλείου. Μη χρησιμοποιείτε το εργαλείο κοντά σε πεττικά, εύφλεκτα υλικά όπως βενζίνη, διαλύτες, μπουγιά, γκάζι, συγκολλητικά, κλπ., θα αναφλεχθούν και θα εκραγούν με αποτέλεσμα σοβαρό τραυματισμό.
 - Η περιοχή πρέπει να είναι επαρκώς φωτισμένη για εξασφάλιση ασφαλούς εργασίας. Η περιοχή πρέπει να είναι καθαρή και ελεύθερη απορριμμάτων. Να είστε ιδιαίτερα προσεκτικοί να διατηρείτε καλό στήριγμα ποδιών και ισορροπία.
 - Μόνο οι εργαζόμενοι πρέπει να είναι στην περιοχή εργασίας. Τα παιδιά ιδιαίτερα πρέπει να κρατιούνται μακριά ανά πάσα στιγμή.
 - Μπορεί να υπάρχουν τοπικοί κανονισμοί που αφορούν στο θόρυβο και στους οποίους πρέπει να συμμορφωνόμαστε κρατώντας την στάθμη θορύβου μέσα στα προδιαγραφόμενα όρια. Σε ειδικές περιπτώσεις, παραπλάσματα πρέπει να χρησιμοποιούνται για περιορισμό του θορύβου.
 - Μη παίζετε με το στοιχείο επαφής: Αυτό εμποδίζει την τυχαία εκφόρτωση, γιατί δεν πρέπει να βρίσκεται πάντοτε στην θέση του και να μην αφαιρείται. Είναι επίσης πολύ επικίνδυνο να στερεώνετε την σκανδάλη στην θέση ON. Ποτέ μην επιχειρείτε να στερεώνετε την σκανδάλη. Μη λειτουργείτε το εργαλείο εάν οποιοδήποτε τμήμα των λειτουργικών ελεγκτικών του εργαλείου είναι άχρηστο, αποσυνδεδεμένο, αλλαγμένο, ή δεν λειτουργεί κανονικά.
 - Λειτουργείτε το εργαλείο μέσα στα καθορισμένα όρια πίεσης αέρος των 0,98 – 2,26 MPa (9,8 – 22,6 bar) για ασφάλεια και μακρύτερη ζωή του εργαλείου. Μην υπερβαίνετε την συνιστώμενη μεγ. πίεση λειτουργίας των 2,26 MPa (22,6 bar). Το εργαλείο δεν πρέπει να συνδέεται σε μία πηγή της οποίας η πίεση πιθανόν υπερβαίνει τα 3,39 MPa (33,9 bar).
 - Βεβαιώνετε ότι η πίεση που παρέχεται από το σύστημα πεπιεσμένου αέρα δεν υπερβαίνει την μέγιστη επιτρεπόμενη πίεση του εργαλείου προώθησης καρφιών. Ρυθμίστε αρχικά την πίεση αέρος στη χαμηλότερη τιμή της συνιστώμενης επιτρεπόμενης πίεσης (βλ. ΤΕΧΝΙΚΑ ΧΑΡΑΚΤΗΡΙΣΤΙΚΑ).
 - Ποτέ μη χρησιμοποιείτε το εργαλείο με οτιδήποτε άλλο εκτός πεπιεσμένου αέρα. Εάν εμφανιστεί αέριο (διοξείδιο άνθρακος, οξυγόνο, άζωτο, υδρογόνο, αέρας, κλπ.) ή εύφλεκτο αέριο (υδρογόνο, προπάνιο, ασετυλίνη, κλπ.) χρησιμοποιείται ως πηγή ενέργειας για το εργαλείο αυτό, το εργαλείο θα εκραγεί και θα προκαλέσει σοβαρό τραυματισμό.
 - Πάντοτε ελέγχετε το εργαλείο ως προς την γενική του κατάσταση και χαλαρές βίδες, πριν από την λειτουργία. Σφίγγετε όπως απαιτείται.
 - Βεβαιώνετε ότι όλα τα συστήματα ασφάλειας βρίσκονται σε καλή κατάσταση πριν από την λειτουργία. Το εργαλείο δεν πρέπει να λειτουργεί εάν τραβηχθεί μόνο η σκανδάλη ή εάν μόνο ο βραχίονας επαφής πατηθεί πάνω στο ξύλο. Πρέπει να λειτουργεί μόνο όταν και οι δύο δράσεις εκτελούνται. Δοκιμάστε για πιθανή εσφαλμένη λειτουργία ενώ είναι άδειο από καρφιά και ο ωθητής βρίσκεται σε εντελώς τραβηγμένη θέση.
 - Ελέγξτε τους τοίχους, ταβάνια, πατώματα και τα λοιπά προσεκτικά για να αποφύγετε πιθανή ηλεκτροπληξία, διαρροή αερίου, εκρήξεις, κλπ. προκαλούμενα από κτύπημα ηλεκτροφόρων καλωδίων, αγωγών ή σωλήνων αερίων.
 - Χρησιμοποιείτε μόνο καρφιά που καθορίζονται σ' αυτό το εγχειρίδιο. Η χρήση άλλων καρφιών μπορεί να προκαλέσει δυσλειτουργία του εργαλείου.
 - Ποτέ μην χρησιμοποιήσετε εργαλείο που καρφώνουν καρφιά σημειωμένα με την ένδειξη «Μη χρησιμοποιήσετε σε σκαλωσιές, σκάλες» για ειδικές εφαρμογές όπως για παράδειγμα:
 - όταν αλλάζοντας μία τοποθεσία εργασίας σε μία άλλη χρησιμοποιούνται σκαλωσιές, σκαλοπάτια, σκάλες, ή κατασκευές όπως σκάλες, π.χ. μαδέρια σκεπών.
 - κλείσιμο χαρτοκιβωτίων ή ξυλοκιβωτίων.
 - εφαρμογή συστημάτων ασφάλειας μεταφορών π.χ. σε οχήματα και βαγόνια.
 - Μην επιτρέπετε στους μη εκπαιδευμένους να χρησιμοποιούν το εργαλείο.
 - Βεβαιώνετε ότι κανείς δεν είναι κοντά πριν από το κάρφωμα. Ποτέ μην επιχειρείτε να καρφώσετε και από μέσα και απ' έξω την ίδια στιγμή. Τα καρφιά μπορεί να διαπεράσουν το μέσον και/ή να εκτιναχθούν, παρουσιάζοντας ένα σοβαρό κίνδυνο.
 - Προσέχετε το στήριγμα των ποδιών σας και διατηρείτε την ισορροπία σας με το εργαλείο. Βεβαιώνετε ότι δεν υπάρχει κανείς από κάτω όταν εργάζεστε σε υψηλές θέσεις, και ασφαλίστε την σωλήνα αέρος για αποφυγή κινδύνου εάν συμβεί κάποιο απότομο τίναγμα ή πιόσιμο.
 - Σε σκεπές και άλλες υψηλές θέσεις, καρφώνετε όπως μετακινείστε προς τα εμπρός. Είναι εύκολο να χάσετε την ισορροπία σας εάν καρφώνετε ενώ κινείστε σιγά προς τα πίσω. Όταν καρφώνετε σε κατακόρυφη επιφάνεια, καρφώνετε από την κορυφή προς τα κάτω. Μπορείτε να εκτελείτε εργασίες καρφώματος με λιγότερη κούραση με τον τρόπο αυτό.
 - Ένα καρφί θα στραβώσει ή το εργαλείο θα πάθει εμπλοκή εάν από λάθος καρφώσετε ένα καρφί πάνω σε ένα άλλο ή χτυπήσετε σε κόμπο στο ξύλο. Τα καρφιά μπορεί να πεταχτούν και να χτυπήσουν κάποιον, ή το εργαλείο το ίδιο μπορεί να αντιδράσει επικίνδυνα. Τοποθετήστε τα καρφιά με προσοχή.
 - Μην αφήσετε το φορτωμένο εργαλείο ή τον συμπίεστη αέρος υπό πίεση για μεγάλο διάστημα έξω στον ήλιο. Βεβαιώστε ότι σκόνη, άμμος, τεμαχίδια και ξένη ύλη δεν θα εισέλθουν στο εργαλείο στη θέση εκεί που το αφήνετε.



- Μη διευθύνετε το άνοιγμα εκτίναξης προς οποιοδήποτε άτομο γύρω σας. Κρατάτε τα χέρια σας και τα πόδια σας μακριά από την περιοχή του ανοίγματος εκτίναξης.
 - Όταν η σωλήνα αέρος έχει συνδεθεί, μη μεταφέρετε το εργαλείο με το δάκτυλο στην σκανδάλη ή το δώστε σε κάποιον με τον τρόπο αυτό. Τυχαιά εκपुरσοκρότηση μπορεί να είναι εξαιρετικά επικίνδυνη.
 - Χειρίζεστε το εργαλείο προσεκτικά, επειδή υπάρχει υψηλή πίεση μέσα στο εργαλείο που μπορεί να είναι επικίνδυνη εάν μία ρωγμή προκληθεί από απόρροσκο χειρισμό (πτώση ή κτύπημα). Μη προσπαθήσετε να κάνετε χαραγιάς ή αυλακώσεις στο εργαλείο.
 - Σταματήστε τις λειτουργίες καρφώματος αμέσως εάν παρατηρήσετε ότι κάτι δεν πάει καλά ή είναι ασυνήθιστο για το εργαλείο.
 - Πάντοτε αποσυνδέετε τον σωλήνα αέρος και αφαιρείτε όλα τα καρφιά:
9. Όταν δεν το προσέχει κανείς.
 10. Πριν εκτελέσετε οποιαδήποτε συντήρηση.
 11. Πριν καθαρίσετε κάποια εμπλοκή.
 12. Πριν μετακινήσετε το εργαλείο σε μία νέα τοποθεσία.
- Εκτελείτε καθαρίσμο και συντήρηση αμέσως αφού τελειώσετε την εργασία. Κρατάτε το εργαλείο σε άριστη κατάσταση. Λιπαίνετε τα κινούμενα μέρη για να αποφυγείτε οξειδωση και για να ελαχιστοποιήσετε την φθορά από την τριβή. Σφουγγίστε όλες τις σκόινες από τα μέρη του.
 - Μη μετατρέψετε το εργαλείο χωρίς εξουσιοδότηση από την εταιρεία ΜΑΚΙΤΑ.
 - Αποτανθείτε στα εξουσιοδοτημένα κέντρα σέρβις της ΜΑΚΙΤΑ για τις περιοδικές επιθεωρήσεις του εργαλείου.
 - Για την διατήρηση της ΑΣΦΑΛΕΙΑΣ και της ΑΞΙΟΠΙΣΤΙΑΣ του προϊόντος, συντήρηση και επισκευές πρέπει να εκτελούνται από τα εξουσιοδοτημένα κέντρα σέρβις της ΜΑΚΙΤΑ, χρησιμοποιώντας πάντοτε ανταλλακτικά της ΜΑΚΙΤΑ.
 - Χρησιμοποιείτε μόνο έλαιο εργαλείου πεπιεσμένου αέρος που καθορίζεται σ' αυτό το εγχειρίδιο οδηγιών.
 - Ποτέ μη συνδέετε το εργαλείο σε τροφοδοτική γραμμή πεπιεσμένου αέρα όπου η μέγιστη επιτρεπόμενη πίεση του εργαλείου δεν μπορεί να γίνει υπερβατή κατά 10%. Βεβαιώνετε ότι η πίεση που παρέχεται από το σύστημα πεπιεσμένου αέρα δεν υπερβαίνει την μέγιστη επιτρεπόμενη πίεση του εργαλείου πρόώθησης καρφιών. Ρυθμίστε αρχικά την πίεση αέρος στη χαμηλότερη τιμή της συνιστώμενης επιτρεπόμενης πίεσης.
 - Μην επιχειρήσετε να κρατήσετε την σκανδάλη ή το στοιχείο επαφής πατημένο με ταινία ή σύρμα. Θάνατος ή σοβαρός τραυματισμός μπορεί να συμβεί.
 - Πάντοτε ελέγχετε το στοιχείο επαφής σύμφωνα με τις οδηγίες του εγχειριδίου. Τα καρφιά μπορεί να ενεργοποιηθούν τυχαίως εάν ο μηχανισμός ασφάλειας δεν λειτουργεί σωστά.

ΦΥΛΑΞΤΕ ΑΥΤΕΣ ΤΙΣ ΟΔΗΓΙΕΣ.

ΕΓΚΑΤΑΣΤΑΣΗ

Επιλογή συμπιεστή (Εικ. 1)

Ο συμπιεστής αέρος πρέπει να συμμορφώνεται με τις απαιτήσεις του EN60335-2-34.

Επιλέξτε έναν συμπιεστή που έχει επαρκή πίεση και απόδοση ώστε να εξασφαλίζει επάρκεια κόστους κατά την λειτουργία. Η γραφική παράσταση δείχνει την σχέση μεταξύ συχνότητας καρφώματος, εφαρμόσιμης πίεσης και απόδοσης αέρος συμπιεστή.

Ετσι, για παράδειγμα, εάν το κάρφωμα διεξάγεται σε βαθμό περίπου 50 φορές ανά λεπτό με συμπίεση 1,76 MPa (17,6 bar), απαιτείται ένας συμπιεστής με απόδοση αέρος 90 λίτρα/λεπτό.

Ρυθμίστες πίεσης πρέπει να χρησιμοποιούνται για να περιορίζουν την πίεση αέρος στην ονομαστική πίεση του εργαλείου όπου η πίεση τροφοδοσίας αέρος υπερβαίνει την ονομαστική πίεση του εργαλείου. Αμέλεια να το κάνετε μπορεί να προκαλέσει σοβαρό τραυματισμό στον χειριστή του εργαλείου ή σε άτομα που περιβάλλονται.

Επιλογή σωλήνων αέρα (Εικ. 2)

Να χρησιμοποιείτε ελαστικό σωλήνα ανθεκτικό σε υψηλή πίεση.

Χρησιμοποιείτε ένα σωλήνα αέρος όσο το δυνατόν φαρδύ και όσο το δυνατόν κοντό για να εξασφαλίσετε συνεχή, επαρκή λειτουργία καρφώματος.

ΠΡΟΣΟΧΗ:

- Χαμηλή απόδοση αέρος του συμπιεστή, ή σωλήνας με μεγάλη ή μικρότερη διάμετρο σε σχέση με την συχνότητα καρφώματος μπορεί να προκαλέσει μία μείωση στην ικανότητα καρφώματος του εργαλείου.

Λίπανση

Για εξασφάλιση μέγιστης απόδοσης, τοποθετήστε ένα σύνολο αέρος (λιπαντήρα, ρυθμιστή, φίλτρο αέρος) όσο το δυνατόν εγγύτερα στο εργαλείο. Ρυθμίστε τον λιπαντή έτσι ώστε μία σταγόνα ελαίου να παρέχεται κάθε 30 καρφιά. (Εικ. 3)

Όταν ένα σύνολο αέρος δεν χρησιμοποιείται, λιπαίνετε το εργαλείο με έλαιο εργαλείου πεπιεσμένου αέρος βάζοντας 2 (δύο) ή 3 (τρεις) σταγόνες μέσα στο προσάρτημα αέρος. Αυτό πρέπει να γίνεται πριν και μετά την χρήση. Για κατάλληλη λίπανση, το εργαλείο πρέπει να χρησιμοποιηθεί για κάρφωμα δύο φορές αφού το έλαιο εργαλείου πεπιεσμένου αέρος έχει εισαχθεί. (Εικ. 4)

ΠΕΡΙΓΡΑΦΗ ΛΕΙΤΟΥΡΓΙΑΣ

ΠΡΟΣΟΧΗ:

- Πάντοτε αποσυνδέετε τον σωλήνα πριν ρυθμίσετε ή ελέγξετε την λειτουργία στο εργαλείο.

Ρύθμιση βάθους καρφώματος (Εικ. 5 και 6)

ΠΡΟΣΟΧΗ:

- Πάντα να αποσυνδέετε τον ελαστικό σωλήνα πριν από τη ρύθμιση του βάθους καρφώματος.

Εάν τα καρφιά οδηγούνται πολύ βαθιά, γυρίστε το ρυθμιστή δεξιόστροφα. Εάν τα καρφιά οδηγούνται πολύ ρηλά, γυρίστε το ρυθμιστή αριστερόστροφα. Το εύρος ρύθμισης είναι 0 - 6 χιλ. (Μια πλήρης περιστροφή ισοδυναμεί με ρύθμιση 0,8 χιλ.)

Γάντζος (Εικ. 7)

ΠΡΟΣΟΧΗ:

- Πάντοτε αποσυνδέετε τον σωλήνα όταν κρεμάτε το εργαλείο χρησιμοποιώντας τον γάντζο.
- Ποτέ μη κρεμάτε το εργαλείο σε μία ζώνη μέσης ή σε κάτι παρόμοιο. Μπορεί να προκληθεί επικίνδυνη τυχαία εκपुरσοκρότηση.

Ο γάντζος εξυπηρετεί για προσωρινό κρέμασμα του εργαλείου. Αυτός ο γάντζος μπορεί να τοποθετηθεί σε οποιαδήποτε πλευρά του εργαλείου.

Κατά την αλλαγή της θέσης εγκατάστασης, αφαιρέστε τη βίδα με ένα κατσαβίδι. Τοποθετήστε το γάντζο στην άλλη πλευρά εγκατάστασης και ακολουθώντας ασφαλίστε τον με τη βίδα.

Χρησιμοποιήστε τον προσαρμογέα ρύγχους

(Εικ. 8)

ΠΡΟΣΟΧΗ:

- Πάντα να αποσυνδέετε τον ελαστικό σωλήνα πριν από την τοποθέτηση ή αφαίρεση του προσαρμογέα ρύγχους.

Εάν επιθυμείτε την προστασία της επιφάνειας του τεμαχίου εργασίας, προσαρμόστε τον προσαρμογέα ρύγχους της στο στοιχείο επαφής.

Κατά την εκτέλεση εργασιών καρφώματος σε τεμάχια εργασίας με ευπαθείς επιφάνειες, να χρησιμοποιείτε τον προσαρμογέα ρύγχους. Για να τοποθετήσετε τον προσαρμογέα ρύγχους στον βραχίονα επαφής, πιέστε τον πάνω στον βραχίονα επαφής έως ότου οι τρεις προεξοχές στο εσωτερικό του προσαρμογέα ρύγχους ασφαλιστούν στις τρεις οπές του βραχίονα επαφής.

ΣΥΝΑΡΜΟΛΟΓΗΣΗ

ΠΡΟΣΟΧΗ:

- Πάντα να αποσυνδέετε τον ελαστικό σωλήνα πριν από τη φόρτωση του καρφωτήρα.

Γέμισμα καρφωτήρα

ΠΡΟΣΟΧΗ:

- Φροντίστε ώστε η πλάκα στήριξης της ρολοταινίας να ρυθμιστεί στο κατάλληλο βήμα για τον τύπο καρφιών που χρησιμοποιείτε.

Αποσυνδέστε τον ελαστικό σωλήνα από το εργαλείο.

Επιλέξτε τύπο καρφιών κατάλληλο για την εργασία σας. Πιέστε κάτω τον μοχλό ασφάλισης και ανοίξτε την είσοδο και το καπάκι του γεμιστήρα. (Εικ. 9)

Ανασηκώστε και περιστρέψτε την πλάκα στήριξης της ρολοταινίας ώστε το βέλος με την ένδειξη μεγέθους καρφιών της πλάκας στήριξης της ρολοταινίας να είναι στραμμένο στην αντίστοιχη ένδειξη βαθμονόμησης που σημειώνεται πάνω στο γεμιστήρα. Εάν πραγματοποιηθεί χειρισμός του εργαλείου όταν η πλάκα στήριξης της ρολοταινίας έχει ρυθμιστεί εσφαλμένα, ενδέχεται να προκληθεί κακή τροφοδοσία καρφιών ή δυσλειτουργία του εργαλείου. (Εικ. 10)

Τοποθετήστε τη ρολοταινία καρφιών πάνω στην πλάκα στήριξης ρολοταινίας. Ξεδιπλώστε αρκετά καρφιά ώστε να πλησιάσετε στη σιαγόνα τροφοδοσίας. Τοποθετήστε το πρώτο καρφί μέσα στο κανάλι οδήγησης και το δεύτερο καρφί μέσα στη σιαγόνα τροφοδοσίας.

Τοποθετήστε τα υπόλοιπα μη τυλιγμένα καρφιά πάνω στο σώμα του τροφοδότη. Κλείστε το καπάκι του γεμιστήρα με προσοχή έως ότου ασφαλιστεί, φροντίζοντας ώστε η ρολοταινία να είναι τοποθετημένη κατάλληλα στο εσωτερικό του γεμιστήρα. (Εικ. 11)

Σύνδεση του σωλήνα αέρος

Σύρτε την υποδοχή αέρος του σωλήνα αέρος στο προσάρτημα αέρος στον καρφωτήρα. Βεβαιώνοντας ότι η υποδοχή αέρος κλειδώνει σταθερά στη θέση της όταν εγκατασταθεί πάνω στο προσάρτημα αέρος. Μία σύζευξη σωληνώσεως πρέπει να εγκατασταθεί επάνω ή κοντά στο εργαλείο με τέτοιο τρόπο ώστε η αποθήκη πίεσης θα εκφορτώνει την στιγμή που η σύζευξη τροφοδοσίας αέρος αποσυνδέεται.

ΛΕΙΤΟΥΡΓΙΑ

ΠΡΟΣΟΧΗ:

- Βεβαιώνετε ότι όλα τα συστήματα ασφάλειας βρίσκονται σε καλή κατάσταση πριν από την λειτουργία.


1. Για να καρφώσετε ένα καρφί, μπορείτε να βάλετε το στοιχείο επαφής πάνω στο τεμάχιο εργασίας και να τραβήξετε την σκανδάλη, ή
 2. Τραβήχτε την σκανδάλη πρώτα και μετά τοποθετήστε το στοιχείο επαφής πάνω στο τεμάχιο εργασίας. (Εικ. 12 και 13)
- Υπ' αρ. (1) μέθοδος είναι για διακεκομμένο κάρφωμα, όταν θέλετε να καρφώσετε ένα καρφί προσεκτικά και με μεγάλη ακρίβεια. Υπ' αρ. (2) μέθοδος είναι για συνεχές κάρφωμα.

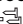
ΠΡΟΣΟΧΗ:

- Πάντως, όταν το εργαλείο είναι ρυθμισμένο στη λειτουργία "Ασυνχές κάρφωμα", ΜΕ ΤΗ ΣΚΑΝΔΑΛΗ ΝΑ ΠΙΕΖΕΤΑΙ ΕΩΣ ΤΟ ΜΕΣΟΝ ΤΗΣ ΔΙΑΔΡΟΜΗΣ, ενδέχεται να πραγματοποιηθεί μη αναμενόμενο κάρφωμα, σε περίπτωση εκ νέου επαφής του στοιχείου επαφής με το τεμάχιο εργασίας ή άλλη επιφάνεια υπό την επίδραση ανάκρουσης (οπτισολακτισματος).

Προς αποφυγή τυχαίου καρφώματος, ενεργήστε ως ακολούθως:

- A. Μην τοποθετήσετε το στοιχείο επαφής πάνω στο τεμάχιο εργασίας με υπερβολική δύναμη.
- B. Πιέστε τη σκανδάλη πλήρως και κρατήστε την πιεσμένη για 1–2 δευτερόλεπτα μετά το κάρφωμα.

- Για τη μέθοδο αρ. (1), ρυθμίστε το μοχλό αλλαγής στη θέση .

- Για τη μέθοδο αρ. (2), ρυθμίστε το μοχλό αλλαγής στη θέση .

Αφού χρησιμοποιήσετε το μοχλό αλλαγής για να αλλάξετε τη μέθοδο καρφώματος, φροντίστε πάντα ώστε ο μοχλός να παραμείνει ρυθμισμένος στην κατάλληλη θέση για την επιθυμητή μέθοδο καρφώματος. (Εικ. 14 και 15)

Κάρφωμα ατσάλινης πλάκας (Εικ. 16 και 17)

ΠΡΟΕΙΔΟΠΟΙΗΣΗ:

- Να χρησιμοποιείτε ατσάλι πάχους 2,3 χιλ ή λιγότερο σχήματος C.
Το εργαλείο θα αναπηδήσει βίαια και το καρφί θα εκτιναχθεί προς τα πίσω προκαλώντας σοβαρούς τραυματισμούς.
- Να χρησιμοποιείτε μόνο σκληρυμένα καρφιά για ατσάλινες πλάκες.
Η χρήση άλλων τύπων καρφιών ενδέχεται να προκαλέσει σοβαρούς τραυματισμούς.
- Στη διάρκεια του καρφώματος, κρατήστε το εργαλείο σε κάθετη θέση πάνω στην επιφάνεια οδήγησης.
Το κάρφωμα υπό γωνία ενδέχεται να προκαλέσει εκτίναξη καρφιών προς τα πίσω προκαλώντας σοβαρούς τραυματισμούς.
- Όταν στερεώνετε κυματοειδή λαμαρίνα ψευδαργύρου πάνω σε ατσάλινη πλάκα σχήματος C, να χρησιμοποιείτε πλάκα πάχους 0,7 χιλ ή λιγότερο και σκληρυμένα καρφιά μήκους 32 χιλ. Τυχόν μη συμμόρφωση ενδέχεται να προκαλέσει εκτίναξη των καρφιών προς τα πίσω προκαλώντας σοβαρούς τραυματισμούς.
- Μη χρησιμοποιείτε το εργαλείο για κάρφωμα σε οροφή ή σκεπή.

Να επιλέγετε και να χρησιμοποιείτε καρφιά με μήκος μεγαλύτερο κατά 10 χιλ από το συνολικό πάχος του τεμαχίου εργασίας προς στερέωση, αφού ανατρέξετε στον πίνακα κατωτέρω.

Πάχος υλικού (χιλ)	Μήκος καρφιού (χιλ)
1,8 – 22	32
10 – 27	38
15 – 30	45
15 – 38	50

ΠΡΟΣΟΧΗ:

- Ανάλογα με τη σκληρότητα και το συνολικό πάχος του συνδυασμού όλων των τεμαχίων εργασίας προς στερέωση, ενδέχεται να μην είναι δυνατόν να επιτευχθεί επαρκής βαθμός στερέωσης. Το κάρφωμα σε ατσάλινη πλάκα και σε υπερβολικό βάθος ενδέχεται να μειώσει δραματικά τη δύναμη στερέωσης. Πριν από το κάρφωμα, ρυθμίστε το κατάλληλο βάθος καρφώματος.
- Στην περίπτωση καρφώματος σε ατσάλινη πλάκα, ο μηχανισμός οδήγησης ενδέχεται να παρουσιάσει εμπλοκή λόγω επιδεκτικότητας στη φθορά. Όταν ο μηχανισμός έχει φθαρεί, φροντίστε να τον ακονίσετε ή να τον αντικαταστήσετε με έναν καινούριο.

Κάρφωμα σε σκυρόδεμα (Εικ. 18)

ΠΡΟΕΙΔΟΠΟΙΗΣΗ:

- Να χρησιμοποιείτε σκληρυμένα καρφιά μόνο για σκυρόδεμα.
- Η χρήση άλλων τύπων καρφιών ενδέχεται να προκαλέσει σοβαρούς τραυματισμούς. Μην καρφώνετε απευθείας σε σκυρόδεμα ή μη χρησιμοποιείτε για απευθείας στερέωση της ατσάλινης πλάκας στο σκυρόδεμα. Τυχόν μη συμμόρφωση ενδέχεται να προκαλέσει εκτίναξη θραυσμάτων σκυροδέματος ή καρφιών προς τα πίσω προκαλώντας σοβαρούς τραυματισμούς.
- Στη διάρκεια του καρφώματος, κρατήστε το εργαλείο σε κάθετη θέση πάνω στην επιφάνεια οδήγησης.
Το κάρφωμα υπό γωνία ενδέχεται να προκαλέσει εκτίναξη θραυσμάτων σκυροδέματος ή καρφιών προς τα πίσω προκαλώντας σοβαρούς τραυματισμούς.
- Μη χρησιμοποιείτε σε επιφάνεια όπου βρίσκονται αναρτημένα αντικείμενα, όπως περιοχές όπου υπάρχουν τοποθετημένες αναρτήσεις σωλήνων αποχέτευσης, σωλήνων απαγωγής σκόνης, κ.λ.π.

Να επιλέγετε και να χρησιμοποιείτε τύπους καρφιών ώστε το βάθος διείσδυσης στο σκυρόδεμα να κυμαίνεται από 10 χιλ – 15 χιλ, αφού ανατρέξετε στον πίνακα κατωτέρω.

Πάχος Ξύλου (χιλ)	Μήκος καρφιού (χιλ)	Κατσαβίδι (χιλ)
20	32	Περίπου 12
25	38	Περίπου 13
30	45	Περίπου 15
35	50	Περίπου 15

ΠΡΟΣΟΧΗ:

- Να χρησιμοποιείτε το εν λόγω εργαλείο μόνο για μαλακό σκυρόδεμα που έχει κατασκευαστεί πρόσφατα. Η χρήση πάνω σε σκληρό σκυρόδεμα ενδέχεται να προκαλέσει λύγισμα των καρφιών ή κάρφωμα σε ανεπαρκές βάθος.
- Όταν το βάθος διείσδυσης στο σκυρόδεμα είναι μεγαλύτερο από 15 χιλ, ενδέχεται να μην είναι δυνατόν να επιτευχθεί κάρφωμα στο επαρκές μήκος.

Κοπή φύλλου (Εικ. 19)

ΠΡΟΣΟΧΗ:

- Πάντα να αποσυνδέετε τον ελαστικό σωλήνα πριν από την κοπή του φύλλου.

Κόψτε το εξερχόμενο φύλλο προς τη φορά του βέλους, όταν χρησιμοποιείτε φύλλο συνεχόμενης ρολοταινίας καρφιών.

ΣΥΝΤΗΡΗΣΗ

ΠΡΟΣΟΧΗ:

- Πάντοτε αποσυνδέετε τον σωλήνα αέρος από το εργαλείο πριν επιχειρήσετε να κάνετε έλεγχο ή συντήρηση.

Εμπλοκή καρφωτήρα (Εικ. 20 και 21)

ΠΡΟΣΟΧΗ:

- Να αποσυνδέετε πάντα τον ελαστικό σωλήνα και να αφαιρέτε τα καρφιά από το γεμιστήρα πριν από την αντιμετώπιση τυχόν εμπλοκής.

Σε περίπτωση εμπλοκής του καρφωτήρα, ενεργήστε ως ακολούθως:

Ανοίξτε το καπάκι του γεμιστήρα και αφαιρέστε τη ρολοταινία καρφιών. Εισάγετε μια μικρή ράβδο ή κάτι παρόμοιο στο εσωτερικό της θύρας εκτίναξης και χτυπήστε την ελαφρά με ένα σφυρί, ώστε να ελευθερώσετε το καρφί που προκαλεί την εμπλοκή από τη θύρα εκτίναξης. Τοποθετήστε εκ νέου τη ρολοταινία καρφιών και κλείστε το καπάκι του γεμιστήρα.

Αποστράγγιση εργαλείου

Αφαιρέστε τον ελαστικό σωλήνα από το εργαλείο. Τοποθετήστε το εργαλείο ώστε ο σύνδεσμος αέρα να είναι στραμμένος προς το έδαφος. Αποστραγγίστε όσο το δυνατόν περισσότερο.

Καθαρισμός εργαλείου

Μπορείτε να αφαιρέσετε τη σκόνη σιδήρου που προσκολλάται στο μαγνήτη χρησιμοποιώντας μηχανήμα αφαίρεσης της σκόνης με εμφύσηση αέρα.

Καπάκι (Εικ. 22)

Όταν δεν χρησιμοποιείτε το εργαλείο, αφαιρέστε τον ελαστικό σωλήνα. Ακολούθως καλύψτε το σύνδεσμο αέρα με το καπάκι.

Φύλαξη

Όταν δεν χρησιμοποιείται, ο καρφωτήρας θα πρέπει να φυλάσσεται σε ζεστό και στεγνό χώρο.

Συντήρηση συμπιεστή, συνόλου αέρος και σωλήνα αέρος

Μετά την λειτουργία πάντοτε στραγγίζετε το δοχείο του συμπιεστή και το φίλτρο αέρος. Εάν υγρασία εισέλθει στο εργαλείο, μπορεί να έχει ως αποτέλεσμα κακή απόδοση και πιθανή βλάβη του εργαλείου. (Εικ. 23 και 24)

Ελέγχετε τακτικά να δείτε εάν υπάρχει αρκετό έλαιο εργαλείου πεπιεσμένου αέρα στον λιπαντή του συνόλου αέρα. Αμέλεια να διατηρήσετε επαρκή λίπανση θα προκαλέσει την γρήγορη φθορά των δακτυλίων Ο. (Εικ. 25)

Κρατάτε τον σωλήνα αέρος μακριά από ζεστή (υπεράνω 60°C, υπεράνω 140°F), μακριά από χημικά (διαλύτες, ισχυρά οξέα ή αλκαλικά). Επίσης, διευθύνετε τον σωλήνα μακριά από εμπόδια στα οποία θα μπορούσε να εμπλακεί επικίνδυνα κατά την λειτουργία.

Οι σωλήνες πρέπει να διευθύνονται μακριά από αιχμηρές άκρες και περιοχές που μπορεί να οδηγήσουν σε ζημιά ή εκδορές του σωλήνα. (Εικ. 26)

Για να διατηρείται η ΑΣΦΑΛΕΙΑ και ΑΞΙΟΠΙΣΤΙΑ του προϊόντος, επισκευές, οποιαδήποτε άλλη συντήρηση ή ρύθμιση πρέπει να εκτελούνται από τα εξουσιοδοτημένα κέντρα σέρβις της ΜΑΚΙΤΑ, με χρήση πάντοτε ανταλλακτικών ΜΑΚΙΤΑ.

ΕΞΑΡΤΗΜΑΤΑ

ΠΡΟΣΟΧΗ:

- Αυτά τα εξαρτήματα ή προσαρτήματα συνιστώνται για χρήση με το εργαλείο ΜΑΚΙΤΑ που περιγράφεται στις οδηγίες αυτές. Η χρήση οτιδήποτε άλλων εξαρτημάτων ή προσαρτημάτων μπορεί να προκαλέσει κίνδυνο τραυματισμού σε άτομα. Χρησιμοποιείτε τα εξαρτήματα ή προσαρτήματα μόνο για την χρήση που προορίζονται.

Εάν χρειάζεστε οποιαδήποτε βοήθεια για περισσότερες πληροφορίες σε σχέση με αυτά τα εξαρτήματα, αποτανθείτε στο τοπικό σας κέντρο εξυπηρέτησης Μάκιτα.

- Καρφιά
- Σωλήνες αέρος
- Γυαλιά ασφάλειας

ENG102-3

Θόρυβος

Το τυπικό Α επίπεδο καταμετρημένου θορύβου καθορίζεται σύμφωνα με το EN792:

Πίεση ήχου (L_{pA}): 86 dB(A)

Επίπεδο δύναμης ήχου (L_{WA}): 99 dB(A)

Αβεβαιότητα (K): 3 dB (A)

Φοράτε γυαλιά ασφαλείας

ENG233-2

Κραδασμός

Η τιμή πρόκλησης δόνησης καθορίζεται σύμφωνα με το EN792:

Πρόκληση δόνησης (a_{hV}): 3,0 m/s²

Αβεβαιότητα (K): 1,5 m/s²

ENG901-1

- Η δηλωμένη τιμή εκπομπής κραδασμών έχει μετρηθεί σύμφωνα με την πρότυπη μέθοδο δοκιμής και μπορεί να χρησιμοποιηθεί για τη σύγκριση ενός εργαλείου με άλλο.
- Η δηλωμένη τιμή εκπομπής κραδασμών μπορεί να χρησιμοποιηθεί και στην προκαταρκτική αξιολόγηση έκθεσης.

ΠΡΟΕΙΔΟΠΟΙΗΣΗ:

- Η εκπομπή κραδασμών κατά τη χρήση του ηλεκτρικού εργαλείου σε πραγματικές συνθήκες μπορεί να διαφέρει από τη δηλωμένη τιμή εκπομπής ανάλογα με τον τρόπο χρήσης του εργαλείου.
- Φροντίστε να λάβετε τα κατάλληλα μέτρα προστασίας που χειριστή βάσει υπολογισμού της έκθεσης σε πραγματικές συνθήκες χρήσης (λαμβάνοντας υπόψη όλες τις συνιστώσες του κύκλου λειτουργίας όπως τους χρόνους που το εργαλείο είναι εκτός λειτουργίας και όταν βρίσκεται σε αδρανή λειτουργία πέραν του χρόνου ενεργοποίησης).

Μόνο για χώρες της Ευρώπης**Δήλωση Συμμόρφωσης ΕΚ**

Η Makita Corporation, ως ο υπεύθυνος κατασκευαστής, δηλώνει ότι το/τα ακόλουθο(α) μηχανήμα(τα) της Makita:

Χαρακτηρισμός μηχανήματος: Οικοδομικός
καρφωτήρας

Αρ. μοντέλου/ Τύπος: AN610H

είναι εν σειρά παραγωγή και
συμμορφώνονται με τις ακόλουθες Ευρωπαϊκές Οδηγίες:

98/37/ΕΚ έως 28 Δεκεμβρίου 2009 και
ακολουθώς με την 2006/42/ΕΚ από 29
Δεκεμβρίου 2009

και κατασκευάζονται σύμφωνα με τα ακόλουθα
πρότυπα ή έγγραφα τυποποίησης:

EN792

Η τεχνική τεκμηρίωση φυλάσσεται από τον
εξουσιοδοτημένο εκπρόσωπό μας στην Ευρώπη,
δηλαδή τη

Makita International Europe Ltd.
Michigan Drive, Tongwell,
Milton Keynes, MK15 8JD, England (Αγγλία)

30 Ιανουαρίου 2009



Tomoyasu Kato
Διευθυντής

Makita Corporation
3-11-8, Sumiyoshi-cho,
Anjo, Aichi, JAPAN

Makita Corporation

Anjo, Aichi, Japan

884844B991