

DOLMAR



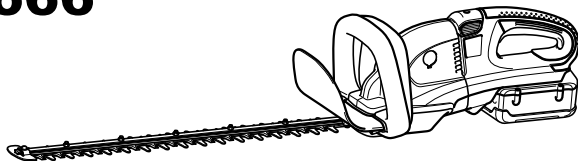
GB	Cordless Hedge Trimmer	Instruction manual
F	Taille-haie sans fil	Manuel d'instructions
D	Akku-Heckenschere	Betriebsanleitung
I	Tagliasiepi a batteria	Istruzioni per l'uso
NL	Accuheggenschaar	Gebruiksaanwijzing
E	Cortasetos Inalámbrico	Manual de instrucciones
P	Aparador De Cerca Viva a Bateria	Manual de instruções
DK	Batteridrevet hækkeklipper	Brugsanvisning
GR	Ψαλίδι Μπορντούρας Μπαταρίας	Οδηγίες χρήσης

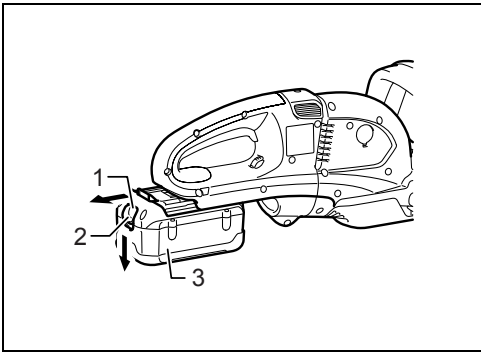
AH-3655

AH-3665

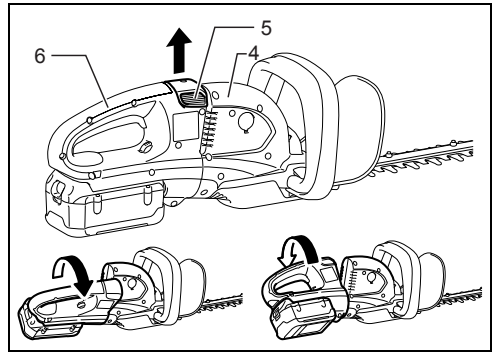
AH-3656

AH-3666

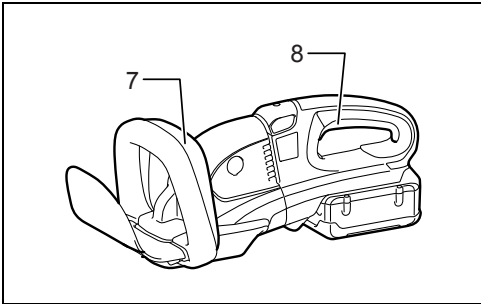




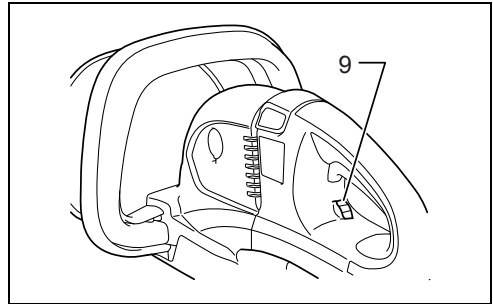
1



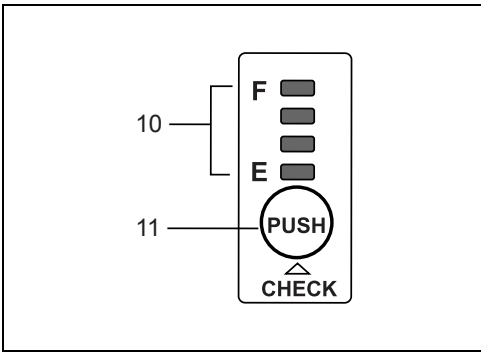
2



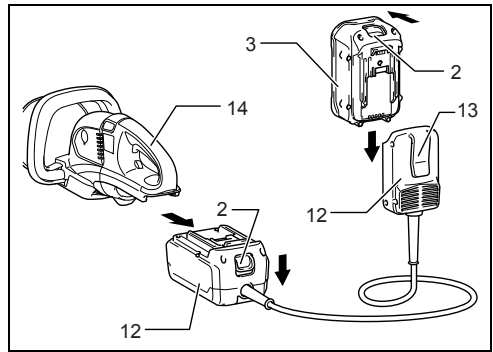
3



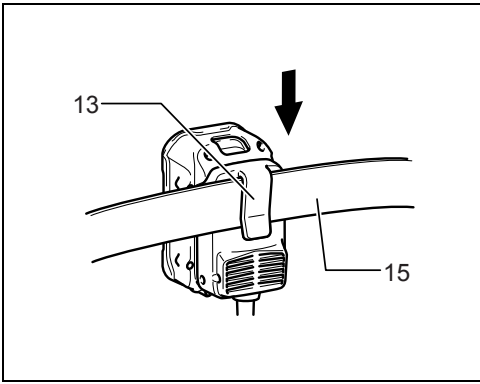
4



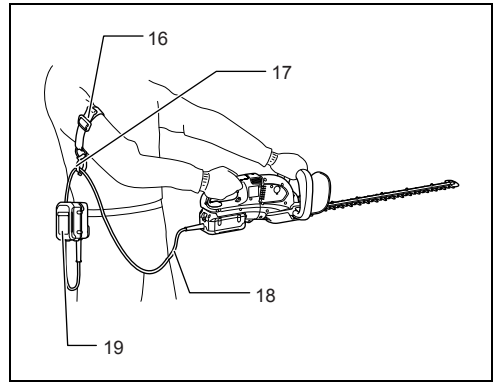
5



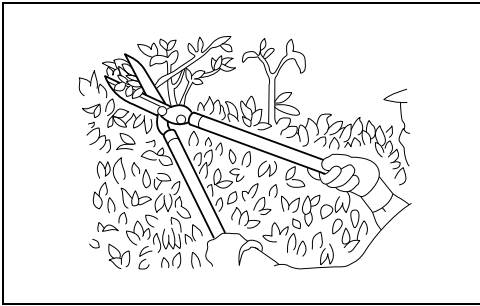
6



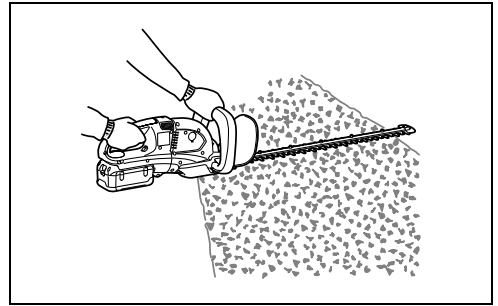
7



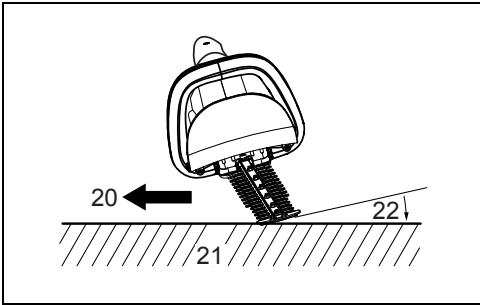
8



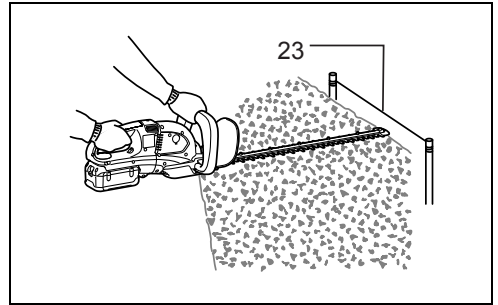
9



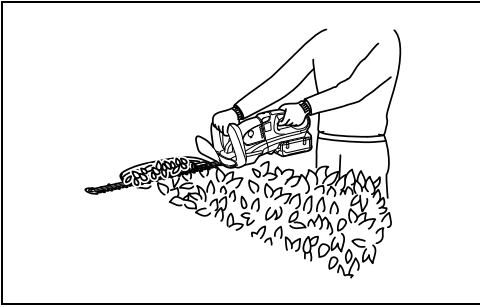
10



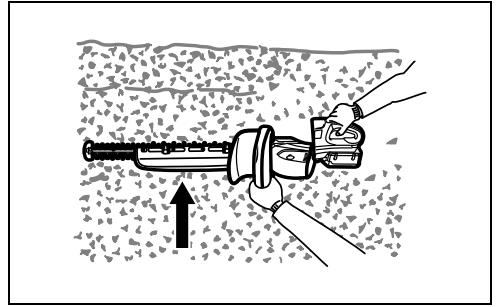
11



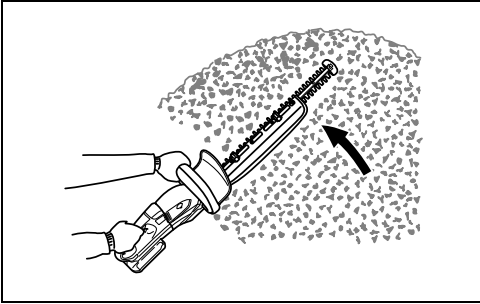
12



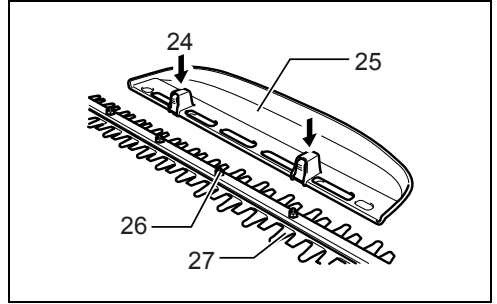
13



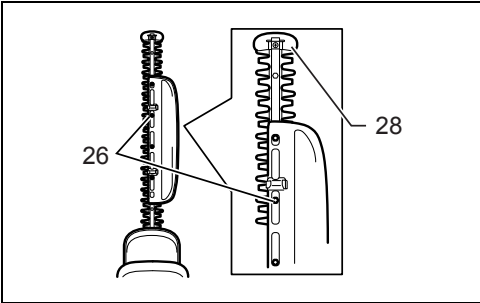
14



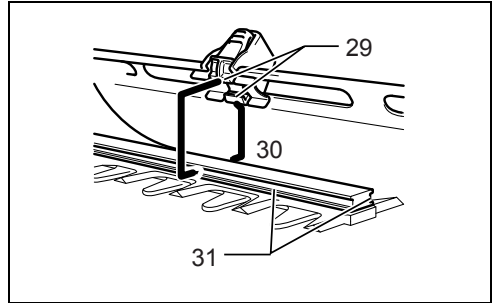
15



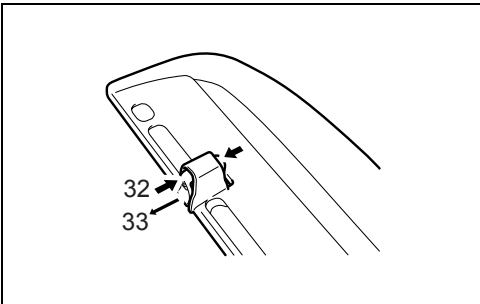
16



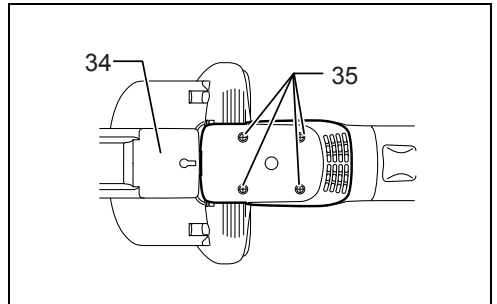
17



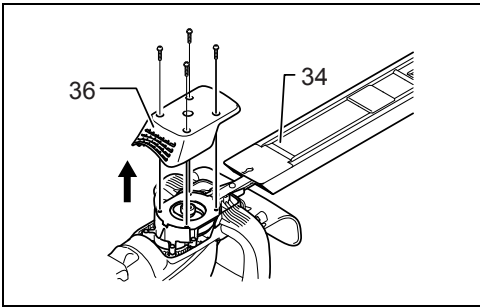
18



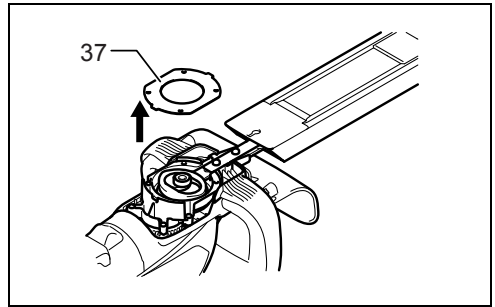
19



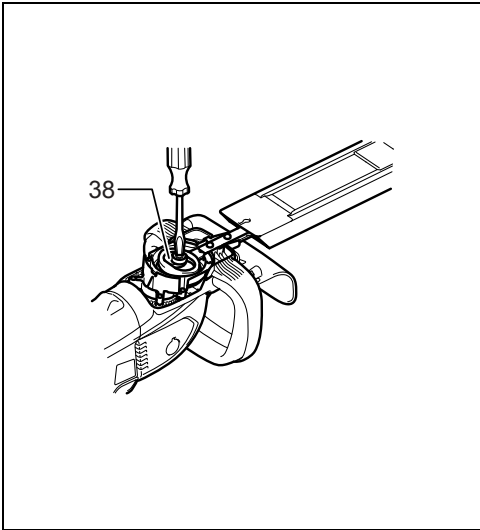
20



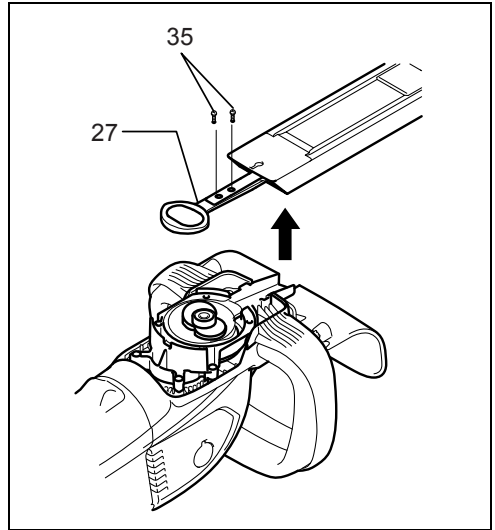
21



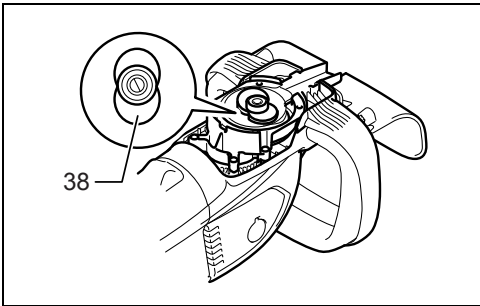
22



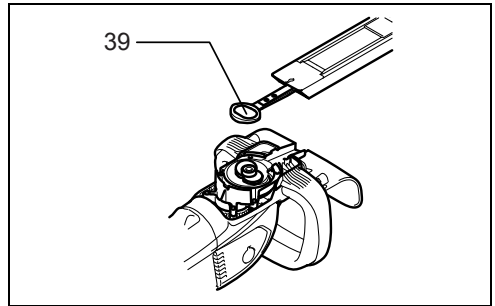
23



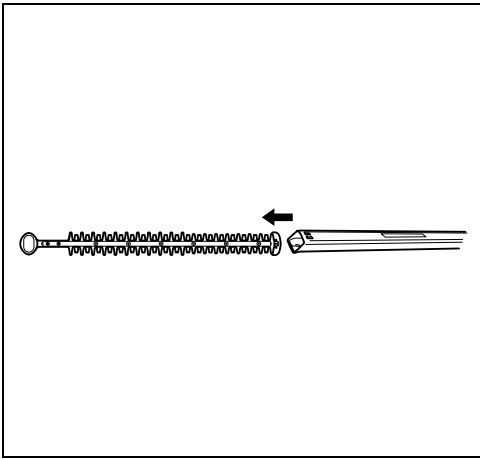
24



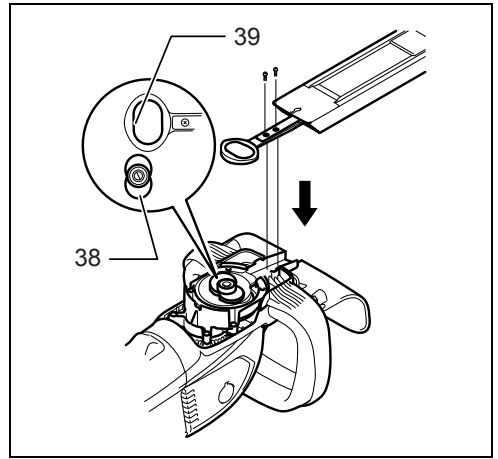
25



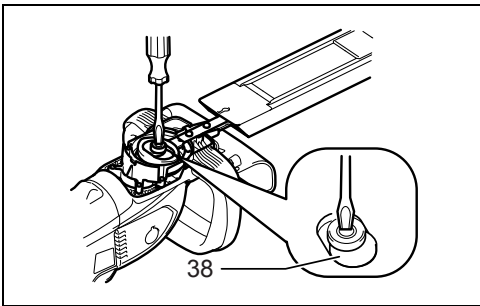
26



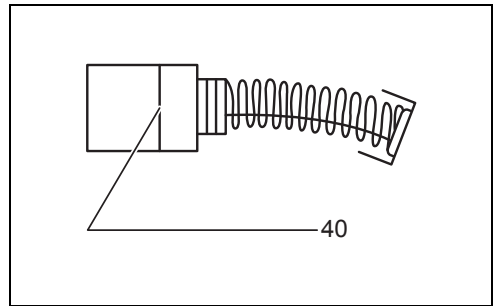
27



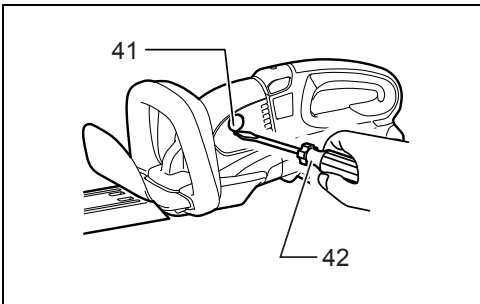
28



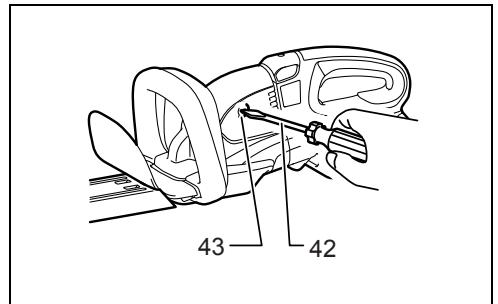
29



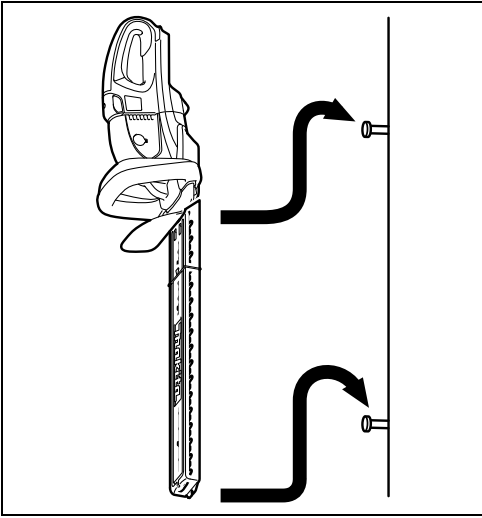
30



31



32



33

ENGLISH (Original instructions)

Explanation of general view

- | | | |
|----------------------|--------------------------------------|-----------------------------------|
| 1. Red part | 16. Arm cord hook band | 31. Grooves |
| 2. Button | 17. Holder | 32. Press the hooks on both sides |
| 3. Battery cartridge | 18. Extension cord (Battery adapter) | 33. Unlock the hooks |
| 4. Housing | 19. Adapter (Battery adapter) | 34. Blade cover |
| 5. Knob | 20. Trimming direction | 35. Screws |
| 6. Handle | 21. Hedge surface to be trimmed | 36. Under cover |
| 7. Switch trigger B | 22. Tilt the blades. | 37. Plate |
| 8. Switch trigger A | 23. String | 38. Crank |
| 9. Adjusting dial | 24. Press | 39. Oval hole of shear blade |
| 10. Indicator lamps | 25. Chip receiver | 40. Limit mark |
| 11. CHECK button | 26. Nut | 41. Holder cap cover |
| 12. Adapter | 27. Shear blade | 42. Screwdriver |
| 13. Hook | 28. Branch catcher | 43. Brush holder cap |
| 14. Tool | 29. Hooks | |
| 15. Belt | 30. Fit the hooks into groove | |

SPECIFICATIONS

Model	AH-3655	AH-3656	AH-3665	AH-3666
Blade length	550 mm		650 mm	
Strokes per minute (min ⁻¹)	1,000 - 1,800		1,000 - 1,800	
Overall length	1,070 mm	1,074 mm	1,150 mm	1,154 mm
Net weight	5.1 kg		5.2 kg	
Rated voltage	D.C.36V		D.C.36V	

- Due to our continuing programme of research and development, the specifications herein are subject to change without notice.
- Specifications and battery cartridge may differ from country to country.
- Weight, with battery cartridge, according to EPTA-Procedure 01/2003

Symbol

END013-2

The following show the symbols used for the equipment.
Be sure that you understand their meaning before use.



..... Read instruction manual.



..... Do not expose to rain.



..... Only for EU countries

Do not dispose of electric equipment or battery pack together with household waste material!

In observance of European Directive 2002/96/EC on waste electric and electronic equipment, 2006/66/EC on batteries and accumulators and waste batteries and accumulators and their implementation in accordance with national laws, electric equipment and battery pack that have reached the end of their life must be collected separately and returned to an environmentally compatible recycling facility.

Intended use

ENE014-1

The tool is intended for trimming hedges.

General Power Tool Safety Warnings

GEA010-1

⚠ WARNING Read all safety warnings and all instructions. Failure to follow the warnings and instructions may result in electric shock, fire and/or serious injury.

Save all warnings and instructions for future reference.

CORDLESS HEDGE TRIMMER SAFETY WARNINGS

GEB062-3

1. **Hold the power tool by insulated gripping surfaces only, because the cutter blade may contact hidden wiring.** Cutter blades contacting a "live" wire may make exposed metal parts of the power tool "live" and could give the operator an electric shock.
2. **Keep all parts of the body away from the cutter blade. Do not remove cut material or hold material to be cut when blades are moving. Make sure the switch is off when clearing jammed material.** A moment of inattention while operating the hedge trimmer may result in serious personal injury.
3. **Carry the hedge trimmer by the handle with the cutter blade stopped. When transporting or storing the hedge trimmer always fit the cutting device cover.** Proper handling of the hedge trimmer

will reduce possible personal injury from the cutter blades.

4. Do not use the hedge trimmer in the rain or in wet or very damp conditions. The electric motor is not waterproof.
5. First-time users should have an experienced hedge trimmer user show them how to use the trimmer.
6. The hedge trimmer must not be used by children or young persons under 18 years of age. Young persons over 16 years of age may be exempted from this restriction if they are undergoing training under the supervision of an expert.
7. Use the hedge trimmer only if you are in good physical condition. If you are tired, your attention will be reduced. Be especially careful at the end of a working day. Perform all work calmly and carefully. The user is responsible for all damages to third parties.
8. Never use the trimmer when under the influence of alcohol, drugs or medication.
9. Check to make sure that the voltage and frequency of the power supply correspond to the specifications given on the identification plate. We recommend the use of a residual-current-operated circuit breaker (ground-fault circuit interrupter) with a tripping current of 30 mA or less, or an earth leakage current protector.
10. Work gloves of stout leather are part of the basic equipment of the hedge trimmer and must always be worn when working with it. Also wear sturdy shoes with anti-skid soles.
11. Before starting work check to make sure that the trimmer is in good and safe working order. Ensure guards are fitted properly. The hedge trimmer must not be used unless fully assembled.
12. Make sure you have a secure footing before starting operation.
13. Hold the tool firmly when using the tool.
14. Do not operate the tool at no-load unnecessarily.
15. Immediately switch off the motor and remove the battery cartridge if the cutter should come into contact with a fence or other hard object. Check the cutter for damage, and if damaged repair immediately.
16. Before checking the cutter, taking care of faults, or removing material caught in the cutter, always switch off the trimmer and remove the battery cartridge.
17. Switch off the trimmer and remove the battery cartridge before doing any maintenance work.
18. When moving the hedge trimmer to another location, including during work, always remove the battery cartridge and put the blade cover on the cutter blades. Never carry or transport the trimmer with the cutter running. Never grasp the cutter with your hands.
19. Clean the hedge trimmer and especially the cutter after use, and before putting the trimmer into storage for extended periods. Lightly oil the cutter and put on the cover. The cover supplied with the unit can be hung on the wall, providing a safe and practical way to store the hedge trimmer.
20. Store the hedge trimmer with the cover on, in a dry room. Keep it out of reach of children. Never store the trimmer outdoors.

SAVE THESE INSTRUCTIONS.

WARNING:

DO NOT let comfort or familiarity with product (gained from repeated use) replace strict adherence to safety rules for the subject product. **MISUSE** or failure to follow the safety rules stated in this instruction manual may cause serious personal injury.

IMPORTANT SAFETY INSTRUCTIONS

ENC007-6

FOR BATTERY CARTRIDGE

1. Before using battery cartridge, read all instructions and cautionary markings on (1) battery charger, (2) battery, and (3) product using battery.
2. Do not disassemble battery cartridge.
3. If operating time has become excessively shorter, stop operating immediately. It may result in a risk of overheating, possible burns and even an explosion.
4. If electrolyte gets into your eyes, rinse them out with clear water and seek medical attention right away. It may result in loss of your eyesight.
5. Do not short the battery cartridge:
 - (1) Do not touch the terminals with any conductive material.
 - (2) Avoid storing battery cartridge in a container with other metal objects such as nails, coins, etc.
 - (3) Do not expose battery cartridge to water or rain.

A battery short can cause a large current flow, overheating, possible burns and even a breakdown.

6. Do not store the tool and battery cartridge in locations where the temperature may reach or exceed 50°C (122°F).
7. Do not incinerate the battery cartridge even if it is severely damaged or is completely worn out. The battery cartridge can explode in a fire.
8. Be careful not to drop or strike battery.
9. Do not use a damaged battery.

SAVE THESE INSTRUCTIONS.

Tips for maintaining maximum battery life

1. Charge the battery cartridge before completely discharged.
Always stop tool operation and charge the battery cartridge when you notice less tool power.
2. Never recharge a fully charged battery cartridge. Overcharging shortens the battery service life.
3. Charge the battery cartridge with room temperature at 10°C - 40°C (50°F - 104°F). Let a hot battery cartridge cool down before charging it.

FUNCTIONAL DESCRIPTION

CAUTION:

- Always be sure that the tool is switched off and the battery cartridge is removed before adjusting or checking function on the tool.

Installing or removing battery cartridge

CAUTION:

- Hold the tool and the battery cartridge firmly when installing or removing battery cartridge. Failure to hold the tool and the battery cartridge firmly may cause them to slip off your hands and result in damage to the tool and battery cartridge and a personal injury. (Fig. 1)
- Always switch off the tool before insertion or removal of the battery cartridge.
- To remove the battery cartridge, withdraw it from the tool while sliding the button on the front of the cartridge.
- To insert the battery cartridge, align the tongue on the battery cartridge with the groove in the housing and slip it into place. Always insert it all the way until it locks in place with a little click. If you can see the red part on the upper side of the button, it is not locked completely. Insert it fully until the red part cannot be seen. If not, it may accidentally fall out of the tool, causing injury to you or someone around you.
- Do not use force when inserting the battery cartridge. If the cartridge does not slide in easily, it is not being inserted correctly.

Handle mounting positions (Fig. 2)

The handle can be rotated to either 90° left or right and mounted either 45° or 90° position to fit your work needs. First, pull the knob and rotate the handle clockwise or counterclockwise in the direction of arrow as shown in the figure. The handle will be locked in 45° position. The pull the knob and rotate more. The handle will be locked in 90° position.

CAUTION:

- Always make sure that the handle is locked in the desired position before operation.

Switch action

CAUTION:

- Before inserting the battery cartridge into the tool, always check to see that the switch trigger actuates properly and returns to the “OFF” position when released. (Fig. 3)

For your safety, this tool is equipped with a dual switching system. To turn on the tool, press triggers A and B. Release either one of the two pressed triggers to turn off. The sequence of switching is unimportant as the tool only starts when both switches are activated.

Speed change (Fig. 4)

The strokes per minute can be adjusted just by turning the adjusting dial. This can be done even while the tool is running. The dial is marked 1 (lowest speed) to 6 (full speed).

Refer to the table below for the relationship between the number settings on the adjusting dial and the strokes per minute.

Number on adjusting dial	Strokes per minute (min ⁻¹)
6	1,800
5	1,750
4	1,650
3	1,500
2	1,300
1	1,000

CAUTION:

- The speed adjusting dial can be turned only as far as 6 and back to 1. Do not force it past 6 or 1, or the speed adjusting function may no longer work.
- The strokes per minute vary by the conditions of battery cartridge and shear blades.

Battery protection system

The tool is equipped with the protection system, which automatically cuts off the output power for its long service life.








The tool may stop during operation when the tool and/or battery are placed under the following situation. This is caused by the activation of protection system and does not show the tool trouble.

- When the tool is overloaded:
At this time, release the switch trigger and remove causes of overload and then pull the switch trigger again to restart. When the tool does not work even after pulling the switch trigger, the battery power auto-stop is still at work. Charge the battery cartridge before use.
- When the remaining battery capacity becomes low:
Recharge the battery cartridge.

Battery remaining capacity indicator (only for models with Battery AP-3622)

Battery AP-3622 is equipped with the battery remaining capacity indicator. (Fig. 5)

Press the CHECK button to indicate the battery remaining capacity. The indicator lamps will then light for approx. three seconds.

Indicator lamps	Remaining capacity
 Lighted Off Blinking	
E  F	70% to 100%
	45% to 70%
	20% to 45%
	0% to 20%
	Charge the battery.
 ↓	The battery may have malfunctioned.

- When only the lowermost indicator lamp (next to the “E”) blinks, or when none of the indicator lamps light, the battery capacity has run out, so the tool does not

operate. In these cases, charge the battery or replace the empty battery with a fully charged one.

- When two or more indicator lamps do not light even after charging is complete, the battery has reached the end of its service life.
- When the upper two and lower two indicator lamps light alternately, the battery may have malfunctioned. Contact your local Dolmar authorized service center.

NOTE:

- The indicated capacity may be lower than the actual level during use or immediately after using the tool.
- Depending on the conditions of use and the ambient temperature, the indication may differ slightly from the actual capacity.

ASSEMBLY

⚠ CAUTION:

- Always be sure that the tool is switched off and the battery cartridge is removed before carrying out any work on the tool.

Battery adapter (Accessory) (Fig. 6 & 7)

⚠ CAUTION:

- Before using battery adapter, read all instructions on tools using battery.
- When charging a battery cartridge, first remove it from the battery adapter and then charge it. It is not allowed to charge the battery cartridge while using battery adapter.

Installing or removing battery adapter

- Always switch off the tool before insertion or removal of the battery adapter.
- To remove the battery adapter, withdraw it from the tool while sliding the button on the adapter.
- To insert the battery adapter, align the tongue on the battery adapter with the groove in the housing and slip it into place. Always insert it all the way until it locks in place with a little click. If you can see the red part on the upper side of the button, it is not locked completely. Insert it fully until the red part cannot be seen. If not, it may accidentally fall out of the tool, causing injury to you or someone around you.
- Do not use force when inserting the battery adapter. If the adapter does not slide in easily, it is not being inserted correctly.
- The way of removing or installing a battery cartridge from or on the battery adapter is the same as that of removing or installing it from or on the tools.
- Press down the hook securely as far as it will go when the battery adapter is hooked on the waist belt and similar objects.

Arm cord hook (Accessory)

⚠ CAUTION:

- Do not attach the holder of arm cord hook to other than the extension cord. Failure to do so may cause an accident or personal injury.

Using the arm cord hook helps to minimize a risk of cutting off the extension cord unexpectedly caused by the loose extension cord. (Fig. 8)

Attach firmly the arm cord hook band placing around your arm and pass the extension cord through the holder. The length of the arm cord hook band is adjustable.

NOTE:

- Do not pass the extension cord through the band.
- Do not force the opening of the holder. Failure to do so may cause deflection and damage to it.

OPERATION

⚠ CAUTION:

- Be careful not to accidentally contact a metal fence or other hard objects while trimming. The blade will break and may cause serious injury.
- Overreaching with a hedge trimmer, particularly from a ladder, is extremely dangerous. Do not work from anything wobbly or infirm. (Fig. 9)

Do not attempt to cut branches thicker than 10 mm diameter with this trimmer. These should first be cut with shears down to the hedge trimming level.

⚠ CAUTION:

- Do not cut off dead trees or similar hard objects. Failure to do so may damage the tool. (Fig. 10)

Hold the trimmer with both hands and pull the switch trigger A or B and then move it in front of your body. (Fig. 11)

As a basic operation, tilt the blades towards the trimming direction and move it calmly and slowly at the speed rate of 3 - 4 seconds per meter. (Fig. 12)

To cut a hedge top evenly, it helps to tie a string at the desired hedge height and to trim along it, using it as a reference line. (Fig. 13)

Attaching the chip receiver (accessory) on the tool when trimming the hedge straight can avoid cut off leaves' being thrown away. (Fig. 14)

Rotate the handle for your easy handling before operation. Refer to the section titled "Handle mounting position".

To cut a hedge side evenly, it helps to cut from the bottom upwards. (Fig. 15)

Trim boxwood or rhododendron from the base toward the top for a nice appearance and good job.

Installing or removing chip receiver (accessory)

⚠ CAUTION:

- Always be sure that the tool is switched off and the battery cartridge is removed before installing or removing chip receiver.

NOTE:

- When replacing the chip receiver, always wear gloves so that hands and face does not directly contact the blade. Failure to do so may cause personal injury.
- Always be sure to remove the blade cover before installing the chip receiver.
- The chip receiver receives cut-off leaves and alleviates collecting thrown-away leaves. This can be installed on either side of the tool. (Fig. 16)

Press the chip receiver on the shear blades so that its slits overlap with the nuts on the shear blades. At this time, make sure that the chip receiver does not contact branch catcher at the top of the shear blades. (Fig. 17)

At this time, the chip receiver needs to be installed so that its hooks fit into grooves in the shear blade unit. **(Fig. 18)** To remove the chip receiver, press its lever on both sides so that the hooks are unlocked. **(Fig. 19)**

⚠ CAUTION:

- The blade cover (standard equipment) cannot be installed on the tool with the chip receiver being installed. Before carrying or storing, uninstall the chip receiver and then install the blade cover to avoid blade exposure.

NOTE:

- Check the chip receiver for secure installment before use.
- Never try to uninstall the chip receiver by an excessive force with its hooks locked in the blade unit grooves. Using the excessive force may damage it.

MAINTENANCE

⚠ CAUTION:

- Always be sure that the tool is switched off and the battery cartridge is removed before attempting to perform inspection or maintenance.

Cleaning the tool

Clean out the tool by wiping off dust with a dry or soap-dipped rag.

⚠ CAUTION:

- Never use gasoline, benzine, thinner, alcohol or the like. Discoloration, deformation or cracks may result.

Blade maintenance

Smear the blade before and once per hour during operation using machine oil or similars.

NOTE:

- Before smearing the blade, remove the chip receiver. After operation, remove dust from both sides of the blade with wired brush, wipe off it with a rag and then apply enough low-viscosity oil, such as machine oil etc. and spray-type lubricating oil.

⚠ CAUTION:

- Do not wash the blades in water. Failure to do so may cause rust or damage on the tool.

Removing or installing shear blade

⚠ CAUTION:

- Before removing or installing shear blade, always be sure that the tool is switched off and the battery cartridge is removed.
- When replacing the shear blade, always wear gloves without removing blade cover so that hands and face does not directly contact the blade. Failure to do so may cause personal injury.

NOTE:

- Do not wipe off grease from the gear and crank. Failure to do so may cause damage to the tool.
- For specific way of removing and installing shear blades refer to the reverse of a package for accessory shear blades.

Removing the shear blades

Reverse the tool and loosen four screws. **(Fig. 20)**

NOTE:

- Be careful not to get your hands dirty as grease is applied in the shear blade driving area.

Remove the under cover. **(Fig. 21)**

Remove the plate. **(Fig. 22)**

Set the crank at the angle as shown in the figure with a slotted bit screwdriver. **(Fig. 23)**

Remove two screws from the shear blades and the shear blade unit will be taken out. **(Fig. 24)**

⚠ CAUTION:

- Return the gear to the original position in such a manner as it was installed if it should be taken away by mistake.

Installing the shear blade

Prepare 4 removed screws (For under cover), 2 screws (For shear blade), plate, under cover, and new shear blades.

Adjust the crank position as shown in the figure. At this time, apply some grease provided with new shear blades to the periphery of the crank. **(Fig. 25)**

Overlap the oval hole in the upper blade with that in the lower one. **(Fig. 26)**

Take out the blade cover from the old shear blades and fit it onto the new ones for easy handling during the replacement of blades. **(Fig. 27)**

Place the new shear blades on the tool so that the oval holes in the shear blades fit onto the crank. Overlap the holes in the shear blades with the screw holes in the tool and then secure them with two screws. **(Fig. 28)**

Check the crank for smooth turn with a slotted bit screwdriver. **(Fig. 29)**

Install the plate, under cover on the tool. Tighten the screw firmly.

NOTE:

- There is no distinction between the top and bottom of the plate.

Remove the blade cover and then turn on the tool to check it for proper movement.

NOTE:

- When the shear blades does not operate properly, there is a poor fit between the blades and crank. Redo from the beginning.

Replacing carbon brushes (Fig. 30)

Remove and check the carbon brushes regularly. Replace when they wear down to the limit mark. Keep the carbon brushes clean and free to slip in the holders. Both carbon brushes should be replaced at the same time. Use only identical carbon brushes. **(Fig. 31)**

Insert the top end of slotted bit screwdriver into the notch in the tool and remove the holder cap cover by lifting it up. **(Fig. 32)**

Use a screwdriver to remove the brush holder caps. Take out the worn carbon brushes, insert the new ones and secure the brush holder caps.

Reinstall the holder cap cover on the tool.

Storage

The hook hole in the bottom of the blade cover is convenient for hanging the tool from a nail or screw on the wall. (Fig. 33)

Remove the battery cartridge and put the blade cover on the shear blades so that the blades are not exposed.

Store the tool out of the reach of children carefully.

Store the tool in the place not exposed to water and rain.

To maintain product SAFETY and RELIABILITY, repairs, any other maintenance or adjustment should be performed by DOLMAR Authorized Service Centers, always using DOLMAR replacement parts.

OPTIONAL ACCESSORIES

⚠ CAUTION:

- These accessories or attachments are recommended for use with your Dolmar tool specified in this manual. The use of any other accessories or attachments might present a risk of injury to persons. Only use accessory or attachment for its stated purpose.

If you need any assistance for more details regarding these accessories, ask your local Dolmar Service Center.

- Blade cover
- Shear blade assembly
- Various type of Dolmar genuine batteries and chargers
- Battery adapter
- Arm cord hook (to be used together with the battery adapter)
- Chip receiver

NOTE:

- Some items in the list may be included in the tool package as standard accessories. They may differ from country to country.

Noise

ENG905-1

The typical A-weighted noise level determined according to EN60745:

Model AH-3655, AH-3656

Sound pressure level (L_{pA}): 85.1 dB (A)

Sound power level (L_{WA}): 93.1 dB (A)

Uncertainty (K): 2.5 dB (A)

Model AH-3665, AH-3666

Sound pressure level (L_{pA}): 84.3 dB (A)

Sound power level (L_{WA}): 92.3 dB (A)

Uncertainty (K): 2.5 dB (A)

Wear ear protection.

Vibration

ENG900-1

The vibration total value (tri-axial vector sum) determined according to EN60745:

Model AH-3655, AH-3656

Work mode: impact tightening of fasteners of the maximum capacity of the tool

Vibration emission (a_h): 2.5 m/s²

Uncertainty (K): 1.5 m/s²

Model AH-3665, AH-3666

Work mode: impact tightening of fasteners of the maximum capacity of the tool

Vibration emission (a_h): 3.0 m/s²

Uncertainty (K): 1.5 m/s²

- The declared vibration emission value has been measured in accordance with the standard test method and may be used for comparing one tool with another.
- The declared vibration emission value may also be used in a preliminary assessment of exposure.

⚠ WARNING:

- The vibration emission during actual use of the power tool can differ from the declared emission value depending on the ways in which the tool is used.
- Be sure to identify safety measures to protect the operator that are based on an estimation of exposure in the actual conditions of use (taking account of all parts of the operating cycle such as the times when the tool is switched off and when it is running idle in addition to the trigger time).

For European countries only

ENH032-2

EC Declaration of Conformity

The undersigned, Tamiro Kishima and Rainer

Bergfeld, as authorized by Dolmar GmbH, declare that the DOLMAR machine(s):

Designation of Machine:

Cordless Hedge Trimmer

Model No./ Type: AH-3655, AH-3656, AH-3665, AH-3666

Specifications: see "SPECIFICATIONS" table.

are of series production and

Conforms to the following European Directives:

2000/14/EC, 2006/42/EC

And are manufactured in accordance with the following standards or standardised documents:

EN60745

The technical documentation is on file at:

Dolmar GmbH,

Jenfelder Strasse 38, Abteilung FZ,

D-22045 Hamburg

The conformity assessment procedure required by

Directive 2000/14/EC was in Accordance with annex V.

Model AH-3655, AH-3656

Measured Sound Power Level: 93.1 dB (A)

Guaranteed Sound Power Level: 94 dB (A)

Model AH-3665, AH-3666

Measured Sound Power Level: 92.4 dB (A)

Guaranteed Sound Power Level: 94 dB (A)

30. 11. 2009



Tamiro Kishima
Managing Director



Rainer Bergfeld
Managing Director

FRANÇAIS (Instructions d'origine)

Descriptif

- | | | |
|--|--|---|
| 1. Partie rouge | 17. Support | 32. Appuyer des deux côtés des fermoirs |
| 2. Bouton | 18. Rallonge (adaptateur de batterie) | 33. Déverrouiller les fermoirs |
| 3. Batterie | 19. Adaptateur (adaptateur de batterie) | 34. Couvercle de protection de la lame |
| 4. Carter | 20. Sens de la taille | 35. Vis |
| 5. Bouton | 21. Surface de la haie à tailler | 36. Couvercle secondaire |
| 6. Poignée | 22. Inclinez les lames. | 37. Plateau |
| 7. Gâchette B | 23. Ficelle | 38. Bielle |
| 8. Gâchette A | 24. Appuyez | 39. Trou ovale de la lame de cisailles |
| 9. Cadran de réglage | 25. Récepteur de copeaux | 40. Repère d'usure |
| 10. Voyants | 26. Écrou | 41. Cache du bouchon de porte-charbon |
| 11. Bouton CHECK | 27. Lame de cisailles | 42. Tournevis |
| 12. Adaptateur | 28. Récepteur de branches | 43. Bouchon de porte-charbon |
| 13. Crochet | 29. Fermoirs | |
| 14. Outil | 30. Installez les fermoirs dans la rainure | |
| 15. Sangle | 31. Rainures | |
| 16. Bande de crochet de cordon de bras | | |

SPÉCIFICATIONS

Modèle	AH-3655	AH-3656	AH-3665	AH-3666
Longueur de la lame	550 mm		650 mm	
Passes par minute (min ⁻¹)	1 000 - 1 800		1 000 - 1 800	
Longueur totale	1 070 mm	1 074 mm	1 150 mm	1 154 mm
Poids net	5,1 kg		5,2 kg	
Tension nominale	36 V CC		36 V CC	

- Étant donné l'évolution constante de notre programme de recherche et de développement, les spécifications contenues dans ce manuel sont sujettes à des modifications sans préavis.
- Les spécifications et la batterie peuvent varier d'un pays à l'autre.
- Poids, batterie incluse, selon la procédure EPTA 01/2003

Symboles

Les symboles utilisés pour l'outil sont indiqués ci-dessous.

Assurez-vous d'avoir bien compris leur signification avant d'utiliser l'outil.



..... Reportez-vous au manuel d'instructions.



..... Gardez à l'abri de la pluie.



..... Pour les pays européens uniquement
Ne pas jeter les appareils électriques et les batteries dans les ordures ménagères !

Conformément à la directive européenne 2002/96/CE relative aux déchets d'équipements électriques ou électroniques (DEEE) et à la directive 2006/66/CE relative aux batteries, aux accumulateurs ainsi qu'aux batteries et accumulateurs usagés et à leur transposition dans la législation nationale, les appareils électriques et les batteries doivent être collectés à part et être soumis à

END013-2

un recyclage respectueux de l'environnement.

Utilisations

Cet outil est conçu pour le taillage des haies.

ENE014-1

Consignes de sécurité générales des outils électriques

GEA010-1

⚠ AVERTISSEMENT Veuillez lire toutes les consignes de sécurité et les instructions. Il y a un risque de choc électrique, d'incendie et/ou de blessure grave si les consignes et les instructions ne sont pas toutes respectées.

Conservez toutes les consignes et instructions pour référence ultérieure.

CONSIGNES DE SÉCURITÉ CONCERNANT LE TAILLE-HAIE SANS FIL

GEB062-3

1. Tenez l'outil par ses surfaces de prise isolées uniquement car la lame de coupe risque d'entrer en contact avec des fils cachés. Il est possible que

- le contact avec un fil sous tension met les parties métalliques exposées de l'outil sous tension, risquant ainsi de provoquer un choc électrique chez l'utilisateur.
2. **Maintenez toutes les parties du corps éloignées de la lame de coupe. Ne retirez pas et ne retenez pas le matériau à couper lorsque les lames sont en mouvement. Assurez-vous que l'outil est éteint lors du dégagement des matériaux enchevêtrés.** Tout moment d'inattention pendant l'utilisation du taille-haie comporte un risque de blessure corporelle grave.
 3. **Portez le taille-haie par la poignée après avoir arrêté la lame de coupe. Lors du transport ou du stockage du taille-haie, fermez toujours le couvercle du dispositif de coupe.** Une utilisation correcte du taille-haie permettra de réduire les risques éventuels de blessures corporelles par la lame de coupe.
 4. N'utilisez pas le taille-haie sous la pluie ou dans des conditions d'humidité importante. Le moteur électrique n'est pas étanche.
 5. Les personnes utilisant le taille-haie pour la première fois doivent demander à un utilisateur expérimenté de leur indiquer la procédure d'utilisation du taille-haie.
 6. Le taille-haie ne doit pas être utilisé par les enfants ni les jeunes âgés de moins de 18 ans. Cette restriction ne s'applique pas aux jeunes de 16 ans ou plus ayant reçu une formation sous la supervision d'un spécialiste.
 7. Utilisez le taille-haie uniquement si vous êtes en bonne condition physique. Si vous êtes fatigué(e), votre attention sera réduite. Soyez particulièrement prudent(e) à la fin d'une journée de travail. Effectuez tout le travail avec calme et prudence. L'utilisateur est responsable de tous les dommages causés aux tiers.
 8. N'utilisez jamais le taille-haie après avoir consommé de l'alcool, de la drogue ou des médicaments.
 9. Assurez-vous que la tension et la fréquence de l'alimentation correspondent aux spécifications indiquées sur la plaque d'identification. Nous vous recommandons d'utiliser un disjoncteur de courant résiduel (interrupteur différentiel) avec un courant de déclenchement de 30 mA au maximum, ou un protecteur de courant de fuite à la terre.
 10. Les gants de travail en cuir épais font partie de l'équipement de base du taille-haie et vous devez toujours les porter lorsque vous travaillez avec l'outil. Portez également des chaussures solides munies de semelles anti-dérapantes.
 11. Avant de commencer à travailler, assurez-vous que le taille-haie est en état de fonctionnement correct et sûr. Assurez-vous que les garde-corps sont correctement installés. Vous pouvez utiliser le taille-haie uniquement s'il est entièrement monté.
 12. Assurez-vous d'avoir une bonne prise au sol avant de commencer à travailler.
 13. Maintenez l'outil fermement lors de son utilisation.
 14. Ne faites pas fonctionner inutilement l'outil à vide.
 15. Coupez immédiatement le moteur et retirez la batterie si la lame entre en contact avec une clôture ou un autre objet dur. Vérifiez que la lame n'est pas endommagée ; dans le cas contraire, réparez-la immédiatement.
 16. Avant de vérifier la lame, corriger les problèmes ou retirer les matériaux happés par la lame, éteignez toujours le taille-haie et retirez la batterie.
 17. Mettez le taille-haie hors tension et retirez la batterie avant d'effectuer toute tâche d'entretien.
 18. Lors du déplacement du taille-haie dans un autre lieu, notamment pendant son utilisation, retirez toujours la batterie et placez l'étui de protection sur la lame de coupe. Ne déplacez et ne transportez jamais le taille-haie alors que la lame est en mouvement. Ne saisissez jamais la lame dans les mains.
 19. Nettoyez le taille-haie et en particulier la lame après utilisation et avant de ranger le taille-haie pendant une période prolongée. Lubrifiez légèrement la lame et mettez l'étui de protection. Vous pouvez suspendre l'étui fourni avec l'appareil au mur, ce qui vous permet de ranger le taille-haie de manière sûre et pratique.
 20. Placez le taille-haie dans son étui avant de le ranger et mettez-le dans une pièce sèche. Conservez-le hors de portée des enfants. Ne rangez jamais le taille-haie à l'extérieur.

CONSERVEZ CES INSTRUCTIONS.

⚠ AVERTISSEMENT :

NE vous laissez PAS tromper (au fil d'une utilisation répétée) par un sentiment d'aisance et de familiarité avec le produit, en négligeant le respect rigoureux des consignes de sécurité qui accompagnent l'outil. Une UTILISATION INCORRECTE de l'outil ou un non-respect des consignes de sécurité indiquées dans ce manuel d'instructions peuvent causer des blessures graves.

CONSIGNES DE SÉCURITÉ IMPORTANTES

ENC007-6

POUR LA BATTERIE

1. **Avant d'utiliser la batterie, veuillez lire toutes les instructions et tous les avertissements inscrits sur (1) le chargeur, (2) la batterie et (3) l'appareil alimenté par la batterie.**
2. **Ne démontez pas la batterie.**
3. **Cessez immédiatement d'utiliser la scie circulaire si le temps de fonctionnement devient excessivement court. Il y a risque de surchauffe, de brûlures, voire d'explosion.**
4. **Si l'électrolyte pénètre dans vos yeux, rincez-les à l'eau claire et consultez immédiatement un médecin. Il y a risque de perte de la vue.**
5. **Évitez de court-circuiter la batterie :**
 - (1) **Ne touchez les bornes avec aucun matériau conducteur.**
 - (2) **Évitez de ranger la batterie dans un contenant où se trouvent d'autres objets métalliques tels que des clous, pièces de monnaie, etc.**
 - (3) **N'exposez pas la batterie à l'eau ou à la pluie. Un court-circuit de la batterie risque de provoquer un fort courant, une surchauffe, parfois des brûlures et même une panne.**

6. Ne rangez pas l'outil ou la batterie dans des endroits où la température risque d'atteindre ou de dépasser 50°C (122°F).
7. Ne jetez pas la batterie au feu même si elle est sérieusement endommagée ou complètement épuisée. La batterie peut exploser au contact du feu.
8. Veillez à ne pas laisser tomber ou heurter la batterie.
9. N'utilisez pas de batterie endommagée.

CONSERVEZ CES INSTRUCTIONS.

Conseils pour assurer la durée de vie optimale de la batterie

1. Rechargez la batterie avant qu'elle ne soit complètement épuisée.
Arrêtez toujours l'outil et rechargez la batterie quand vous constatez que la puissance de l'outil diminue.
2. Ne rechargez jamais une batterie complètement chargée.
La surcharge réduit la durée de service de la batterie.
3. Chargez la batterie alors que la température de la pièce se trouve entre 10°C et 40°C (50°F et 104°F).
Si une batterie est chaude, laissez-la refroidir avant de la charger.

DESCRIPTION DU FONCTIONNEMENT

⚠ ATTENTION :

- Veillez toujours à ce que l'outil soit éteint et la batterie déposée avant d'effectuer des réglages ou de vérifier le fonctionnement de l'outil.

Installation ou retrait de la batterie

⚠ ATTENTION :

- Tenez fermement l'outil et la batterie lors de l'installation ou du retrait de la batterie. Si vous ne tenez pas fermement l'outil et la batterie, ils risquent de glisser et de s'abîmer ou de vous blesser. (Fig. 1)
- Mettez toujours l'outil hors tension avant d'insérer ou de retirer la batterie.
- Pour retirer la batterie, sortez-la de l'outil tout en faisant glisser le bouton à l'avant de la batterie.
- Pour insérer la batterie, alignez sa languette sur la rainure qui se trouve à l'intérieur du carter, puis glissez la batterie pour la mettre en place. Insérez-la toujours bien à fond, jusqu'à ce qu'elle se verrouille en émettant un léger clic. Si vous pouvez voir la partie rouge sur la face supérieure du bouton, la batterie n'est pas parfaitement verrouillée. Insérez-la à fond, jusqu'à ce que la partie rouge ne soit plus visible. Sinon, la batterie risque de tomber accidentellement de l'outil et de vous blesser ou de blesser une personne située près de vous.
- N'appliquez pas une force excessive lors de l'insertion de la batterie. Si la batterie ne glisse pas aisément, c'est qu'elle n'est pas insérée correctement.

Positions de montage de la poignée (Fig. 2)

Vous pouvez faire pivoter la poignée à 90° vers la gauche ou vers la droite et la positionner selon un angle de 45° ou 90° afin de répondre à vos besoins. Appuyez tout d'abord sur le bouton et faites pivoter la poignée dans le sens horaire ou antihoraire selon la flèche, comme illustré sur la figure. La poignée est alors verrouillée à 45°. Ensuite, appuyez sur le bouton et tournez davantage la poignée. La poignée est alors verrouillée à 90°.

⚠ ATTENTION :

- Assurez-vous toujours que la poignée est verrouillée dans la position désirée avant d'utiliser l'outil.

Interrupteur

⚠ ATTENTION :

- Avant d'insérer la batterie dans l'outil, vérifiez toujours que la gâchette fonctionne bien et revient en position d'arrêt lorsqu'elle est relâchée. (Fig. 3)

Pour votre sécurité, cet outil est équipé d'un double système d'allumage. Pour mettre l'outil sous tension, appuyez sur les gâchettes A et B. Pour mettre l'outil hors tension, relâchez une ou les deux gâchettes enfoncées. La séquence d'allumage importe peu car l'outil démarre uniquement lorsque les deux interrupteurs sont activés.

Changement de vitesse (Fig. 4)

Il est possible d'ajuster le nombre de passes par minute en tournant simplement le cadran de réglage. Ce réglage est possible même lorsque l'outil est en fonctionnement. Le cadran comporte les marquages 1 (vitesse la plus lente) à 6 (pleine vitesse).

Référez-vous au tableau ci-dessous pour connaître la relation entre les paramètres des numéros sur le cadran de réglage et le nombre de passes par minute.

Numéro sur le cadran de réglage	Passes par minute (min ⁻¹)
6	1 800
5	1 750
4	1 650
3	1 500
2	1 300
1	1 000

⚠ ATTENTION :

- Vous ne pouvez tourner le cadran de réglage de la vitesse que jusqu'aux positions 6 et 1. Ne le forcez pas au-delà des positions 6 ou 1, au risque de provoquer un dysfonctionnement du réglage de la vitesse.
- Le nombre de passes par minute varie selon l'état de la batterie et des lames de cisailles.

Système de protection de la batterie










L'outil est équipé du système de protection qui coupe automatiquement la puissance de sortie pour lui assurer une longue durée de service.

L'outil peut s'arrêter pendant l'utilisation lorsqu'il est/ou la batterie se trouvent dans la situation suivante. Cela est dû à l'activation du système de protection et n'indique pas le problème de l'outil.

- Lorsque l'outil est surchargé :
Lorsque cela se produit, relâchez la gâchette et supprimez les causes de surcharge, puis appuyez de nouveau sur la gâchette pour redémarrer. Lorsque l'outil ne fonctionne pas même lorsque vous avez appuyé sur la gâchette, l'arrêt automatique de l'alimentation de la batterie fonctionne toujours.
Rechargez la batterie avant utilisation.
- Lorsque la batterie est presque vide :
Rechargez la batterie.

Voyant d'autonomie restante de la batterie (uniquement pour les modèles équipés d'une batterie AP-3622)

La batterie AP-3622 est équipée du voyant d'autonomie restante de la batterie. (Fig. 5)
Appuyez sur le bouton CHECK pour indiquer l'autonomie restante de la batterie. Les voyants s'allument alors pendant trois secondes environ.

Voyants			Autonomie restante
 Allumé	 Éteint	 Clignotant	
E 		F	70 % à 100 %
			45 % à 70 %
			20 % à 45 %
			0 % à 20 %
			Rechargez la batterie.
			Il est possible que la batterie ait mal fonctionné.

- Lorsque seul le voyant le plus bas (près de la lettre « E ») clignote, ou lorsque aucun des voyants ne clignote, la batterie est vide donc l'outil ne fonctionne pas. Dans ce cas, rechargez la batterie ou remplacez la batterie vide par une batterie entièrement chargée.
- Si au moins deux voyants ne s'allument pas même une fois le chargement terminé, cela signifie que la batterie arrive en fin de vie.
- Lorsque les deux voyants supérieurs et inférieurs s'allument à tour de rôle, cela signifie que la batterie a peut-être mal fonctionné. Contactez votre centre de service agréé Dolmar le plus proche.

REMARQUE :

- L'autonomie restante indiquée peut être inférieure au niveau réel pendant ou immédiatement après l'utilisation de l'outil.
- Selon les conditions d'utilisation et la température ambiante, les indications peuvent différer légèrement de l'autonomie réelle restante.

ASSEMBLAGE

⚠ ATTENTION :

- Assurez-vous toujours que l'outil est hors tension et que la batterie est retirée avant d'effectuer toute intervention sur l'outil.

Adaptateur de batterie (accessoire)

(Fig. 6 et 7)

⚠ ATTENTION :

- Avant d'utiliser l'adaptateur de batterie, lisez toutes les instructions figurant sur les outils qui utilisent cette batterie.
- Pour recharger une batterie, commencez par la retirer de l'adaptateur de batterie, puis chargez-la. Il est interdit de recharger la batterie lorsque l'adaptateur de batterie est branché.

Installation ou retrait de l'adaptateur de batterie

- Mettez toujours l'outil hors tension avant d'insérer ou de retirer l'adaptateur de batterie.
- Pour retirer l'adaptateur de batterie, sortez-le de l'outil tout en faisant glisser le bouton sur l'adaptateur.
- Pour insérer l'adaptateur de batterie, alignez sa languette sur la rainure qui se trouve à l'intérieur du carter, puis glissez l'adaptateur de batterie pour le mettre en place. Insérez-le toujours bien à fond, jusqu'à ce qu'il se verrouille en émettant un léger clic. Si vous pouvez voir la partie rouge sur la face supérieure du bouton, l'adaptateur n'est pas parfaitement verrouillé. Insérez-le à fond, jusqu'à ce que la partie rouge ne soit plus visible. Sinon, l'adaptateur de batterie risque de tomber accidentellement de l'outil, en vous blessant ou en blessant une personne située près de vous.
- N'appliquez pas de force excessive lors de l'insertion de l'adaptateur de batterie. Si l'adaptateur ne glisse pas aisément, c'est qu'il n'est pas inséré correctement.
- Pour retirer une batterie de l'adaptateur de batterie ou installer une batterie sur l'adaptateur, procédez comme pour la retirer des outils ou l'installer sur les outils.
- Appuyez à fond sur les fermoirs lorsque l'adaptateur de batterie est accroché à la ceinture ou à un objet similaire.

Crochet de cordon de bras (accessoire)

⚠ ATTENTION :

- Fixez le support du crochet de cordon de bras uniquement à la rallonge électrique. Le non-respect de cette instruction risque de provoquer un accident ou des blessures corporelles.

L'utilisation du crochet du cordon de bras permet de réduire les risques de coupure accidentelle de la rallonge électrique lorsque celle-ci est lâche. (Fig. 8)
Attachez fermement la bande du crochet du cordon de bras autour de votre bras et passez la rallonge électrique à travers le porte-outil.

La longueur de la bande du crochet du cordon de bras est réglable.

REMARQUE :

- Ne passez pas la rallonge électrique à travers la bande.
- Ne forcez pas l'ouverture du porte-outil. Le non-respect de cette instruction risque d'entraîner la déviation du porte-outil et de l'endommager.

UTILISATION

ATTENTION :

- Veillez à ne pas entrer en contact accidentellement avec une clôture métallique ou d'autres objets durs lors de la taille. La lame pourrait se briser et provoquer de graves blessures.
- Il est extrêmement dangereux de tendre le bras trop loin avec une taille-haie, en particulier depuis une échelle. Ne travaillez pas sur une surface bancale ou instable. (Fig. 9)

N'essayez pas de couper des branches dont l'épaisseur est supérieure à 10 mm de diamètre avec ce taille-haie. Vous devez d'abord les couper avec des cisailles jusqu'au niveau du taillage de haie.

ATTENTION :

- Ne coupez pas les arbres morts ou objets durs similaires. Vous risqueriez d'endommager l'outil. (Fig. 10)

Tenez le taille-haie avec les deux mains, appuyez sur la gâchette A ou B, puis déplacez l'outil devant votre corps. (Fig. 11)

Le fonctionnement de base consiste à incliner les lames dans le sens du taillage et à les déplacer calmement et lentement à une vitesse nominale de 3 à 4 secondes par mètre. (Fig. 12)

Pour couper le haut d'une haie de manière régulière, vous pouvez attacher une corde au niveau de la hauteur souhaitée de la haie et tailler le long de celle-ci, en l'utilisant comme une ligne de référence. (Fig. 13)
La fixation du récepteur de copeaux (accessoire) sur l'outil lors du taillage de la haie de manière droite peut éviter que les feuilles coupées soient éparpillées. (Fig. 14)

Avant d'utiliser l'outil, faites pivoter la poignée pour faciliter sa manipulation. Reportez-vous à la section intitulée « Positions de montage de la poignée ».

Pour couper le côté d'une haie de manière régulière, coupez-la de bas en haut. (Fig. 15)

Taillez le buis ou les rhododendrons de la base vers le haut afin d'obtenir une jolie haie et un travail bien fait.

Installation ou dépose du récepteur de copeaux (accessoire)

ATTENTION :

- Assurez-vous toujours que l'outil est hors tension et que la batterie est retirée avant d'installer ou de retirer le récepteur de copeaux.

REMARQUE :

- Lorsque vous remplacez le récepteur de copeaux, portez toujours des gants, de sorte que vos mains et votre visage ne soient pas en contact direct avec la lame. Le non-respect de cette instruction peut provoquer des blessures corporelles.
- Veillez toujours à retirer le couvercle de protection de la lame avant d'installer le récepteur de copeaux.
- Le récepteur de copeaux reçoit les feuilles coupées et facilite le recueil des feuilles éparpillées. Il s'installe d'un côté comme de l'autre de l'outil. (Fig. 16)

Appuyez sur le récepteur de copeaux situé sur les lames de cisailles de sorte que ses fentes chevauchent les écrous situés sur les lames de cisailles. À ce stade, assurez-vous que le récepteur de copeaux n'entre pas en

contact avec le récepteur de branches dans la partie supérieure des lames de cisailles. (Fig. 17)

À ce stade, le récepteur de copeaux doit être installé, afin que ses crochets s'insèrent dans les rainures de la lame de cisailles. (Fig. 18)

Pour retirer le récepteur de copeaux, appuyez sur les deux côtés de son levier, de manière à déverrouiller les crochets. (Fig. 19)

ATTENTION :

- Le couvercle de protection de la lame (équipement standard) ne peut pas être installé sur l'outil lorsque le récepteur de copeaux s'y trouve déjà. Avant de transporter ou de ranger l'outil, désinstallez le récepteur de copeaux, puis installez le couvercle de protection de la lame afin d'éviter que celle-ci soit exposée.

REMARQUE :

- Vérifiez que le récepteur de copeaux est installé de manière sécurisée avant de l'utiliser.
- N'essayez jamais de désinstaller le récepteur de copeaux en forçant de manière démesurée lorsque ses crochets sont verrouillés dans les rainures de l'unité de la lame. L'application d'une force excessive risque de l'endommager.

MAINTENANCE

ATTENTION :

- Assurez-vous toujours que l'outil est hors tension et que la batterie est retirée avant d'y effectuer tout travail d'inspection ou d'entretien.

Nettoyage de l'outil

Pour nettoyer l'outil, essuyez la poussière à l'aide d'un chiffon sec ou imbibé d'eau savonneuse.

ATTENTION :

- N'utilisez jamais d'essence, de benzine, de diluant, d'alcool ou de produit similaire. Ces produits risquent de provoquer des décolorations, des déformations ou des fissures.

Maintenance de la lame

Lubrifiez la lame à l'aide d'huile pour machines ou de produits similaires avant d'utiliser l'outil et toutes les heures pendant son fonctionnement.

REMARQUE :

- Avant de lubrifier la lame, retirez le récepteur de copeaux.
- Après le fonctionnement de l'outil, retirez la poussière des deux côtés de la lame à l'aide d'une brosse métallique, essuyez-la à l'aide d'un chiffon, puis appliquez suffisamment d'huile à basse viscosité, telle que de l'huile pour machines, de l'huile de graissage à pulvérisation, etc.

ATTENTION :

- Ne lavez pas les lames dans l'eau. Vous risqueriez de provoquer l'apparition de rouille ou d'endommager l'outil.

Retrait ou installation de la lame de cisailles

ATTENTION :

- Avant de retirer ou d'installer la lame de cisailles, assurez-vous toujours que l'outil est hors tension et que la batterie est retirée.
- Lorsque vous remplacez la lame de cisailles, portez toujours des gants sans retirer le couvercle de protection de la lame, de sorte que vos mains et votre visage ne soient pas en contact direct avec la lame. Le non-respect de cette instruction peut provoquer des blessures corporelles.

REMARQUE :

- N'essayez pas la graisse de l'engrenage et de la bielle. Vous risqueriez d'endommager l'outil.
- Pour connaître les procédures spécifiques de dépose et d'installation des lames de cisailles, reportez-vous au dos de l'emballage des lames de cisailles fournies en accessoires.

Dépose des lames de cisailles

Mettez l'outil à l'envers et dévissez quatre vis. (Fig. 20)

REMARQUE :

- Veillez à ne pas vous salir les mains car la graisse se diffuse sur la zone de déplacement de la lame de cisailles.

Retirez le couvercle secondaire. (Fig. 21)

Retirez la plaque. (Fig. 22)

Réglez la bielle dans l'angle à l'aide d'un tournevis à extrémité fendue, comme illustré sur la figure. (Fig. 23)

Déposez deux vis des lames de cisailles afin d'extraire l'unité des lames de cisailles. (Fig. 24)

ATTENTION :

- Remplacez l'engrenage en position d'origine, comme il était installé, afin qu'il ne soit pas retiré par erreur.

Installation de la lame de cisailles

Préparez les 4 vis que vous avez retirées (pour le couvercle secondaire), les 2 vis (pour la lame de cisailles), la plaque, le couvercle secondaire et des lames de cisailles neuves.

Réglez la position de l'engrenage, comme illustré sur la figure. À ce stade, appliquez de la graisse fournie avec les lames de cisailles neuves à la périphérie de l'engrenage. (Fig. 25)

Faites en sorte que l'orifice ovale de la lame supérieure chevauche celui de la lame inférieure. (Fig. 26)

Retirez le couvercle de protection des anciennes lames de cisailles et installez-le sur les lames neuves afin de faciliter la manipulation lors du remplacement des lames. (Fig. 27)

Placez les lames de cisailles neuves sur l'outil, de sorte que les orifices ovales situés sur les lames de cisailles s'adaptent sur l'engrenage. Faites en sorte que les orifices des lames de cisailles chevauchent ceux des vis dans l'outil, puis fixez-les à l'aide de deux vis. (Fig. 28) Vérifiez que l'engrenage aisément à l'aide d'un tournevis à extrémité fendue. (Fig. 29)

Installez la plaque et le couvercle secondaire sur l'outil. Serrez fermement la vis.

REMARQUE :

- Il n'y a aucune différence entre la partie supérieure et la partie inférieure de la plaque.

Déposez le couvercle de protection de la lame, puis mettez l'outil sous tension pour vérifier que le mouvement est correct.

REMARQUE :

- Si les lames de cisailles ne fonctionnent pas correctement, le contact entre les lames et l'engrenage est mauvais. Recommencez l'opération depuis le début.

Remplacement des charbons (Fig. 30)

Retirez et vérifiez les charbons régulièrement.

Remplacez-les lorsqu'ils atteignent le repère d'usure. Maintenez les charbons propres et en état de glisser aisément dans les porte-charbons. Les deux charbons doivent être remplacés en même temps. N'utilisez que des charbons identiques. (Fig. 31)

Insérez le bout d'un tournevis à tête fendue dans la rainure de l'outil et retirez le cache du bouchon de porte-charbon en le soulevant. (Fig. 32)

Retirez les bouchons de porte-charbon à l'aide d'un tournevis. Enlevez les charbons usés, insérez-en de nouveaux et revissez solidement les bouchons de porte-charbon.

Remettez le cache de bouchon de porte-charbon en place sur l'outil.

Stockage

L'orifice du crochet situé dans la partie inférieure du couvercle de protection de la lame est pratique pour suspendre l'outil à un clou ou une vis au mur. (Fig. 33) Retirez la batterie et placez le couvercle de protection de la lame sur les lames de cisailles afin qu'elles ne soient pas exposées. Veillez à ranger l'outil hors de portée des enfants.

Rangez l'outil à l'abri de la pluie et de l'eau. Pour maintenir la SÉCURITÉ et la FIABILITÉ du produit, les réparations, ainsi que tout autre travail d'entretien ou de réglage doivent être effectués dans un centre de service DOLMAR agréé, exclusivement avec des pièces de rechange DOLMAR.

ACCESSOIRES FOURNIS EN OPTION

ATTENTION :

- Ces accessoires ou pièces complémentaires sont recommandés pour être utilisés avec l'outil Dolmar spécifié dans ce mode d'emploi. L'utilisation de tout autre accessoire ou pièce complémentaire peut comporter un risque de blessure. N'utilisez les accessoires ou pièces qu'aux fins auxquelles ils ont été conçus.

Pour obtenir plus de détails sur ces accessoires, contactez votre Centre de service local Dolmar.

- Couvercle de protection de la lame
- Lame de cisailles
- Divers types de batteries et chargeurs de marque Dolmar
- Adaptateur de batterie

- Crochet du cordon de bras (à utiliser avec l'adaptateur de batterie)
- Récepteur de copeaux

REMARQUE :

- Certains éléments de la liste peuvent être inclus en tant qu'accessoires standard dans le coffret de l'outil envoyé. Ils peuvent varier suivant les pays.

Bruit ENG905-1

Les niveaux de bruit pondéré A typiques ont été mesurés selon la norme EN60745 :

Modèles AH-3655, AH-3656

Niveau de pression sonore (L_{pA}) : 85,1 dB (A)
 Niveau de puissance sonore (L_{WA}) : 93,1 dB (A)
 Incertitude (K) : 2,5 dB (A)

Modèles AH-3665, AH-3666

Niveau de pression sonore (L_{pA}) : 84,3 dB (A)
 Niveau de puissance sonore (L_{WA}) : 92,3 dB (A)
 Incertitude (K) : 2,5 dB (A)

Portez des protections auditives.

Vibrations ENG900-1

La valeur totale de vibration (somme du vecteur triaxial) a été déterminée selon la norme EN60745 :

Modèles AH-3655, AH-3656

Mode de fonctionnement : serrage avec chocs de boulons ou d'écrous à la capacité maximale de l'outil
 Émission des vibrations (a_h) : 2,5 m/s²
 Incertitude (K) : 1,5 m/s²

Modèles AH-3665, AH-3666

Mode de fonctionnement : serrage avec chocs de boulons ou d'écrous à la capacité maximale de l'outil
 Émission des vibrations (a_h) : 3,0 m/s²
 Incertitude (K) : 1,5 m/s²

ENG901-1

- La valeur de l'émission des vibrations déclarée a été mesurée conformément à la méthode de test standard et peut être utilisée afin de comparer des outils entre eux.
- La valeur de l'émission des vibrations déclarée peut également être utilisée lors d'une évaluation préliminaire de l'exposition.

⚠ AVERTISSEMENT :

- Selon la manière dont l'outil est utilisé, il est possible que l'émission des vibrations pendant l'utilisation réelle de l'outil électrique diffère de la valeur de l'émission déclarée.
- Veuillez à identifier les mesures de sécurité destinées à protéger l'opérateur et établies à partir de l'estimation de l'exposition dans les conditions réelles d'utilisation (en prenant en compte toutes les étapes du cycle de fonctionnement, telles que les périodes de mise hors tension de l'outil, les périodes de fonctionnement au ralenti et les périodes de mise en route).

Pour les pays d'Europe uniquement ENH032-2

Déclaration de conformité CE

Les soussignés, Tamiro Kishima et Rainer Bergfeld, tels qu'autorisés par Dolmar GmbH, déclarent que les outils DOLMAR :

Nom de la machine :

Taille-haie sans fil

N° de modèle/Type : AH-3655, AH-3656, AH-3665, AH-3666

Spécifications : voir le tableau « SPÉCIFICATIONS ». sont fabriquées en série et

Sont conformes aux directives européennes suivantes :

2000/14/CE, 2006/42/CE

Et sont produites conformément aux normes ou documents de normalisation suivants :

EN60745

La documentation technique se trouve dans les locaux de l'entreprise sise :

Dolmar GmbH,
 Jenfelder Strasse 38, Abteilung FZ,
 D-22045 Hambourg

La procédure d'évaluation de la conformité requise par la directive 2000/14/CE est conforme à l'annexe V.

Modèle AH-3655, AH-3656

Niveau de puissance sonore mesurée : 93,1 dB (A)

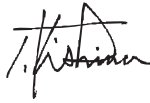
Niveau de puissance sonore garantie : 94 dB (A)

Modèle AH-3665, AH-3666

Niveau de puissance sonore mesurée : 92,4 dB (A)

Niveau de puissance sonore garantie : 94 dB (A)

30.11.2009



Tamiro Kishima
 Directeur général



Rainer Bergfeld
 Directeur général

DEUTSCH (Originalanweisungen)

Erklärung der Gesamtdarstellung

- | | | |
|--|--|--|
| 1. Roter Bereich | 17. Halterung | 32. Drücken der Haken an beiden Seiten |
| 2. Taste | 18. Verlängerungskabel (Batterieadapter) | 33. Lösen der Haken |
| 3. Akkublock | 19. Adapter (Batterieadapter) | 34. Schneidblattabdeckung |
| 4. Gehäuse | 20. Schneidrichtung | 35. Schrauben |
| 5. Knauf | 21. zu schneidende Heckenfläche | 36. Untere Abdeckung |
| 6. Griff | 22. Neigen der Messer | 37. Platte |
| 7. Ein/Aus-Schalter B | 23. Schnur | 38. Kurbelmechanismus |
| 8. Ein/Aus-Schalter A | 24. Drücken | 39. Ovaies Loch im Schneidmesser |
| 9. Stellrad | 25. Spanaufnehmer | 40. Verschleißgrenze |
| 10. Anzeigelampen | 26. Mutter | 41. Halterkappenabdeckung |
| 11. Taste CHECK | 27. Schneidmesser | 42. Schraubendreher |
| 12. Adapter | 28. Astfänger | 43. Bürstenhalterkappe |
| 13. Haken | 29. Haken | |
| 14. Werkzeug | 30. Einpassen der Haken in die Kerbe | |
| 15. Riemen | 31. Kerben | |
| 16. Befestigungsband für Arm-Kabelhalter | | |

TECHNISCHE DATEN

Modell	AH-3655	AH-3656	AH-3665	AH-3666
Schneidblattlänge	550 mm		650 mm	
Schläge pro Minute (min ⁻¹)	1.000 - 1.800		1.000 - 1.800	
Gesamtlänge	1.070 mm	1.074 mm	1.150 mm	1.154 mm
Nettogewicht	5,1 kg		5,2 kg	
Nennspannung	36 V Gleichspannung		36 V Gleichspannung	

- Aufgrund unserer beständigen Forschungen und Weiterentwicklungen sind Änderungen an den hier angegebenen Technischen Daten ohne Vorankündigung vorbehalten.
- Die Technischen Daten und der Akkublock können in den einzelnen Ländern Abweichungen aufweisen.
- Gewicht, mit Akkublock, ermittelt gemäß EPTA-Verfahren 01/2003

Symbole

END013-2

umweltgerechten Wiederverwertung
zugeführt werden.

Im Folgenden sind die im Zusammenhang mit diesem Werkzeug verwendeten Symbole dargestellt. Machen Sie sich vor der Benutzung des Werkzeugs unbedingt mit diesen Symbolen vertraut.



..... Lesen Sie die vorliegende Betriebsanleitung.



..... Setzen Sie das Werkzeug nicht dem Regen aus.



..... Nur für EU-Länder
Entsorgen Sie Elektrowerkzeuge, Batterien und Akkus nicht über den Hausmüll!
Gemäß Europäischer Richtlinie 2002/96/EG über Elektro- und Elektronik-Altgeräte, 2006/66/EG über Batterien und Akkumulatoren sowie Altbatterien und Altakkumulatoren und Umsetzung in nationales Recht müssen verbrauchte Elektrowerkzeuge, Altbatterien und Altakkumulatoren getrennt gesammelt und einer

Verwendungszweck

ENE014-1

Das Werkzeug wurde für das Schneiden von Hecken entwickelt.

Allgemeine Sicherheitshinweise für Elektrowerkzeuge

GEA010-1

⚠️ WARNUNG Lesen Sie alle Sicherheitshinweise und Anweisungen sorgfältig durch. Wenn die Hinweise und Anweisungen nicht beachtet werden, besteht die Gefahr eines Stromschlags, Brands und/oder das Risiko von ernsthaften Verletzungen.

Bewahren Sie alle Hinweise und Anweisungen zur späteren Referenz gut auf.

SICHERHEITSHINWEISE ZUR AKKU-HECKENSCHERE

GEB062-3

1. Halten Sie das Werkzeug ausschließlich an den isolierten Griffflächen, da die Schneidmesser verborgene Kabel berühren können. Bei Kontakt des Schneidmessers mit einem stromführenden Kabel

- wird der Strom an die Metallteile des Elektrowerkzeugs und dadurch an den Bediener weitergeleitet, und der Bediener erleidet einen Stromschlag.
2. **Halten Sie mit allen Körperteilen Abstand zum Schneidmesser. Entfernen Sie kein geschnittenes Material oder halten Sie kein zu schneidendes Material, wenn sich die Blätter bewegen. Überprüfen Sie, dass der Schalter aus ist, wenn Sie verklemmtes Material entfernen.** Ein Moment der Unachtsamkeit kann beim Umgang mit der Heckenschere zu schweren Verletzungen führen.
 3. **Tragen Sie die Heckenschere mit angehaltenem Schneidmesser am Griff. Transportieren und lagern Sie die Heckenschere immer mit aufgesetztem Schutz über dem Schneidblatt.** Durch einen sachgemäßen Umgang mit der Heckenschere können Sie mögliche Personenschäden durch die Schneidmesser vermindern.
 4. Verwenden Sie die Heckenschere nicht, während es regnet, oder bei nassen oder sehr feuchten Bedingungen. Der Elektromotor ist nicht wasserdicht.
 5. Erstmalige Anwender sollten sich von erfahrenen Anwendern die Verwendung der Heckenschere zeigen lassen.
 6. Kinder und Jugendliche unter 18 Jahren dürfen die Heckenschere nicht bedienen. Jugendliche über 16 Jahren sind von diesem Verbot ausgenommen, wenn sie zum Zweck der Ausbildung unter Aufsicht eines Fachkundigen stehen.
 7. Betreiben Sie die Heckenschere nur, wenn Sie in guter physischer Verfassung sind. Falls Sie müde sind, lässt Ihre Aufmerksamkeit nach. Seien Sie am Ende eines Arbeitstages besonders aufmerksam. Führen Sie alle Arbeiten ruhig und sorgfältig durch. Der Anwender ist für alle Schäden an Dritten verantwortlich.
 8. Verwenden Sie die Heckenschere niemals unter Einfluss von Alkohol, Drogen oder Medikamenten.
 9. Prüfen Sie, dass die Spannung und Frequenz der Stromversorgung den auf dem Typenschild angegebenen Technischen Daten entspricht. Wir empfehlen die Verwendung eines Fehlerstrom-Schutzschalters (FI-Schutzschalter) mit einem Auslösestrom von max. 30 mA oder eines Erdschlussstrom-Schutzes.
 10. Arbeitshandschuhe aus festem Leder sind Teil der Grundausstattung der Heckenschere und müssen stets bei Arbeiten mit der Heckenschere getragen werden. Tragen Sie außerdem feste Schuhe mit rutschfesten Sohlen.
 11. Überprüfen Sie vor Beginn der Arbeiten, dass die Heckenschere ordnungsgemäß und sicher arbeitet. Stellen Sie sicher, dass die Sicherheitsabdeckungen ordnungsgemäß angebracht sind. Die Heckenschere darf nur vollständig montiert verwendet werden.
 12. Überprüfen Sie vor Beginn der Arbeiten, dass Sie einen sicheren Stand haben.
 13. Halten Sie das Werkzeug bei Verwendung sicher fest.
 14. Lassen Sie das Werkzeug nicht unnötig ohne Last laufen.
 15. Schalten Sie den Motor sofort aus und ziehen Sie den Akkublock ab, wenn die Schere mit einem Zaun oder einem anderen harten Gegenstand in Kontakt kam. Überprüfen Sie die Schere auf Beschädigungen, und reparieren Sie sie bei Bedarf.
 16. Schalten Sie die Heckenschere stets aus und ziehen Sie den Akkublock ab, bevor Sie die Schere überprüfen, Fehler beheben oder in der Schere verklemmtes Material entfernen.
 17. Schalten Sie die Schere aus und ziehen Sie den Akkublock ab, bevor Sie Wartungsarbeiten am Werkzeug ausführen.
 18. Ziehen Sie stets den Akkublock und bringen Sie stets die Schneidblattabdeckung auf den Schneidblättern an, wenn Sie die Heckenschere an einen anderen Ort umsetzen, auch im Verlauf der Arbeiten. Tragen oder transportieren Sie die Heckenschere niemals mit laufenden Schneidblättern. Fassen Sie die Schneidmesser niemals mit den Händen an.
 19. Reinigen Sie die Heckenschere und besonders das Schneidblatt nach der Verwendung und vor der Lagerung der Heckenschere über einen längeren Zeitraum. Ölen Sie das Schneidblatt leicht und bringen Sie die Abdeckung an. Die mit dem Gerät gelieferte Abdeckung kann an die Wand gehängt werden und bietet so eine sichere und praktische Möglichkeit zur Lagerung der Heckenschere.
 20. Lagern Sie die Heckenschere mit angebrachter Abdeckung in einem trockenem Raum. Lagern Sie die Heckenschere außerhalb der Reichweite von Kindern. Lagern Sie die Heckenschere niemals im Freien.

BEWAHREN SIE DIESE ANLEITUNG SORGFÄLTIG AUF.



⚠️ WARNUNG:

Lassen Sie sich **NIE** durch Bequemlichkeit oder (aus fortwährendem Gebrauch gewonnener) Vertrautheit mit dem Werkzeug dazu verleiten, die Sicherheitsregeln für das Werkzeug zu missachten. Bei **MISSBRÄUCLICHER** Verwendung des Werkzeugs oder Missachtung der in diesem Handbuch enthaltenen Sicherheitshinweise kann es zu schweren Verletzungen kommen.

WICHTIGE SICHERHEITSREGELN

ENC007-6

FÜR AKKUBLOCK

1. **Lesen Sie vor der Verwendung des Akkublocks alle Anweisungen und Sicherheitshinweise für das Akkuladegerät (1), den Akku (2) und das Produkt (3), für das der Akku verwendet wird, sorgfältig durch.**
2. **Der Akkublock darf nicht zerlegt werden.**
3. **Falls die Betriebsdauer erheblich kürzer wird, beenden Sie den Betrieb umgehend. Andernfalls besteht die Gefahr einer Überhitzung sowie das Risiko möglicher Verbrennungen und sogar einer Explosion.**
4. **Wenn Elektrolyt in Ihre Augen gerät, waschen Sie diese mit klarem Wasser aus und suchen Sie sofort einen Arzt auf. Andernfalls können Sie Ihre Sehfähigkeit verlieren.**

5. **Vermeiden Sie einen Kurzschluss des Akkublocks:**
 - (1) Die Kontakte dürfen nicht mit leitendem Material in Berührung kommen.
 - (2) Der Akkublock darf nicht in einem Behälter aufbewahrt werden, in dem sich andere metallische Gegenstände wie beispielsweise Nägel, Münzen usw. befinden.
 - (3) Der Akkublock darf weder Feuchtigkeit noch Regen ausgesetzt werden.

Ein Kurzschluss des Akkus kann zu hohem Einchestrom, Überhitzung, möglichen Verbrennungen und sogar zu einer Zerstörung des Werkzeugs führen.
6. **Werkzeug und Akkublock dürfen nicht an Orten aufbewahrt werden, an denen Temperaturen von 50°C oder darüber erreicht werden können.**
7. **Beschädigte oder verbrauchte Akkus dürfen nicht verbrannt werden. Der Akkublock kann in den Flammen explodieren.**
8. **Lassen Sie den Akku nicht fallen und vermeiden Sie Schläge gegen den Akku.**
9. **Verwenden Sie niemals einen beschädigten Akku.**

BEWAHREN SIE DIESE ANLEITUNG SORGFÄLTIG AUF.

Tipps für eine maximale Nutzungsdauer von Akkus

1. **Laden Sie den Akkublock auf, bevor der Akku vollständig entladen ist. Sobald Sie eine verringerte Leistung des Werkzeugs bemerken, beenden Sie stets den Betrieb des Werkzeugs und laden Sie den Akkublock auf.**
2. **Ein voll aufgeladener Akkublock darf niemals erneut geladen werden. Durch Überladungen wird die Lebensdauer des Akkus verkürzt.**
3. **Laden Sie den Akkublock bei einer Zimmertemperatur von 10°C bis 40°C auf. Lassen Sie einen heißen Akkublock vor dem Aufladen abkühlen.**

FUNKTIONSBESCHREIBUNG

⚠️ ACHTUNG:

- Schalten Sie das Werkzeug stets aus und entfernen Sie den Akkublock, bevor Sie Einstellungen oder eine Funktionsprüfung des Werkzeugs vornehmen.

Montage und Demontage des Akkublocks

⚠️ ACHTUNG:

- **Halten Sie das Werkzeug und den Akkublock sicher fest, wenn Sie den Akkublock einsetzen oder herausnehmen.** Andernfalls könnte Ihnen das Werkzeug oder der Akkublock aus den Händen fallen, sodass das Werkzeug oder der Akkublock beschädigt werden oder diese Verletzungen verursachen. (Abb. 1)
- Schalten Sie das Werkzeug stets aus, bevor Sie den Akku einsetzen oder herausnehmen.

- Zur Entfernung des Akkublocks müssen Sie diesen aus dem Gerät herausziehen, während Sie die Taste auf der Vorderseite des Blocks schieben.
- Zum Einsetzen des Akkublocks müssen Sie die Zunge des Akkublocks an der Rille im Gehäuse ausrichten und in die gewünschte Position schieben. Setzen Sie den Block immer ganz ein, bis er mit einem Klick einrastet. Wenn Sie den roten Bereich oben auf der Taste sehen können, ist der Block nicht ganz eingerastet. Setzen Sie den Akku ganz ein, bis der rote Bereich nicht mehr zu sehen ist. Andernfalls kann der Block versehentlich aus dem Werkzeug fallen und Sie oder Personen in der Nähe verletzen.
- Wenden Sie beim Einsetzen des Akkublocks keine Gewalt an. Wenn der Block nicht leicht hineingleitet, wird er nicht richtig eingesetzt.

Montagepositionen des Griffs (Abb. 2)

Damit Sie bequem arbeiten können, kann der Griff bis zu 90° nach links oder rechts gedreht und in einer Position von jeweils 45° oder 90° montiert werden. Ziehen Sie zuerst den Knauf und drehen Sie den Griff entgegen dem Uhrzeigersinn in Richtung des Pfeils, wie in der Abbildung dargestellt. Der Griff wird in der 45°-Position arretiert. Ziehen Sie anschließend erneut am Knauf und drehen Sie weiter. Der Griff wird in der 90°-Position arretiert.

⚠️ ACHTUNG:

- Überprüfen Sie vor der Verwendung des Werkzeugs stets, dass der Griff in der gewünschten Position arretiert ist.

Bedienung des Schalters

⚠️ ACHTUNG:

- Achten Sie vor dem Einsetzen des Akkublocks in das Werkzeug darauf, dass sich der Ein/Aus-Schalter korrekt bedienen lässt und beim Loslassen in die Position „OFF“ (AUS) zurückkehrt. (Abb. 3)

Zu Ihrer Sicherheit ist das Werkzeug mit einem Zweifach-Schaltersystem ausgestattet. Zum Einschalten des Werkzeugs drücken Sie die Auslöser A und B. Lassen Sie zum Ausschalten einen der zwei gedrückten Auslöser los. Die Reihenfolge der Schalterbetätigung ist unwichtig, da das Werkzeug nur startet, wenn beide Schalter betätigt werden.

Ändern der Drehzahl (Abb. 4)

Die Takte pro Minute können Sie einfach durch Drehen am Stellrad ändern. Dies ist auch bei laufendem Werkzeug möglich. Das Einstellrad ist mit 1 (niedrigste Schlagzahl) bis 6 (höchste Schlagzahl) beschriftet. In der folgenden Tabelle sind die Zahlenmarken am Einstellrad und die zugehörigen Takte pro Minute angegeben:

Zahl am Einstellrad	Schläge pro Minute (min ⁻¹)
6	1.800
5	1.750
4	1.650
3	1.500
2	1.300
1	1.000

⚠️ ACHTUNG:

- Das Drehzahl-Stellrad lässt sich nur bis 6 und zurück auf 1 drehen. Wird es gewaltsam über 6 oder 1 hinaus gedreht, lässt sich die Drehzahl möglicherweise nicht mehr einstellen.
- Die Takte pro Minute variieren vom Zustand des Akkus und dem Zustand der Schneidmesser.

Akku-Schutzsystem

Das Werkzeug ist mit einem Schutzsystem ausgestattet, das die Ausgangsleistung für eine längere Lebenszeit des Akkus automatisch begrenzt.



























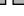




In folgender Situation des Werkzeugs und/oder des Akkus kann das Werkzeug während des Betriebs stoppen. Dies geschieht aufgrund der Aktivierung des Schutzsystems und stellt keine Fehlfunktion dar.

- Bei Überlastung des Werkzeugs:
Lassen Sie den Ein/Aus-Schalter los und heben Sie die Ursachen der Überlastung; betätigen Sie zum Neustarten anschließend den Ein/Aus-Schalter.
Wenn das Werkzeug nach Betätigung des Ein/Aus-Schalters nicht funktioniert, ist die Auto-Stoppfunktion des Akkus noch aktiv. Laden Sie den Akkublock vor Verwendung auf.
- Wenn die verbleibende Batterieladung zu niedrig wird:
Laden Sie den Akkublock auf.

Anzeige für Akkuladezustand (nur bei Modellen mit Akku AP-3622)

Akkublock AP-3622 ist mit einer Anzeige für Akkuladezustand ausgestattet. (Abb. 5)

Wenn Sie die Taste CHECK (TEST) drücken, wird der Ladezustand des Akkublocks angezeigt. Die Lampen der Anzeige leuchten dann ca. 3 s lang auf.

Anzeigelampen	Verbleibende Akkuladung
  	
E     F	70 % bis 100 %
   	45 % bis 70 %
   	20% bis 45%
   	0% bis 20%
   	Laden Sie den Akkublock auf.
        ↑ ↓	Möglicherweise liegt ein Defekt des Akkublocks vor.

- Wenn nur die unterste Anzeigelampe (bei „E“) oder keine der Anzeigelampen blinkt, ist der Akkublock erschöpft und das Werkzeug funktioniert nicht. In diesem Fall laden Sie den Akkublock auf oder tauschen Sie den entladenen Akkublock gegen einen voll aufgeladenen Akkublock aus.
- Wenn selbst nach einem vollständigen Aufladen des Akkublocks zwei oder mehr Anzeigelampen nicht aufleuchten, ist die Lebensdauer des Akkublocks abgelaufen.
- Wenn die oberen zwei Lampen und die unteren zwei Lampen wechselseitig aufleuchten, liegt

möglicherweise ein Defekt am Akkublock vor. Wenden Sie sich an Ihre autorisierte Servicestelle von Dolmar.

HINWEIS:

- Bei oder unmittelbar nach Gebrauch des Werkzeugs wird möglicherweise ein niedrigerer Ladezustand als der tatsächliche Ladezustand angezeigt.
- In Abhängigkeit von den Bedingungen bei Gebrauch und von der Umgebungstemperatur kann der angezeigte Ladezustand geringfügig vom tatsächlichen Ladezustand abweichen.

MONTAGE

⚠️ ACHTUNG:

- Schalten Sie das Werkzeug stets aus und entfernen Sie den Akkublock, bevor Sie Arbeiten am Werkzeug ausführen.

Batterieadapter (Zubehör) (Abb. 6 und 7)

⚠️ ACHTUNG:

- Lesen Sie vor der Verwendung des Batterieadapters alle Anweisungen für die Verwendung des Akkus mit dem Werkzeug durch.
- Nehmen Sie zum Laden des Akkus diesen zuerst aus dem Batterieadapter und laden Sie den Akku anschließend. Der Akku darf nicht im Batterieadapter geladen werden.

Einsetzen und Entnehmen des Batterieadapters

- Schalten Sie das Werkzeug stets aus, bevor Sie den Batterieadapter einsetzen oder herausnehmen.
- Zum Entfernen des Batterieadapters müssen Sie diesen aus dem Werkzeug herausziehen, während Sie die Taste am Adapter schieben.
- Zum Einsetzen des Batterieadapters müssen Sie die Zunge des Batterieadapters an der Rille im Gehäuse ausrichten und in die gewünschte Position schieben. Setzen Sie den Block immer ganz ein, bis er mit einem Klick einrastet. Wenn Sie den roten Bereich oben auf der Taste sehen können, ist der Block nicht ganz eingerastet. Setzen Sie den Akku ganz ein, bis der rote Bereich nicht mehr zu sehen ist. Andernfalls kann der Block versehentlich aus dem Werkzeug fallen und Sie oder Personen in der Nähe verletzen.
- Wenden Sie beim Einsetzen des Batterieadapters keine Gewalt an. Wenn der Adapter nicht leicht hineingleitet, wird er nicht richtig eingesetzt.
- Die Art des Herausnehmens oder Einsetzens eines Akkublocks aus dem oder in den Batterieadapter entspricht der des Herausnehmens oder Einsetzens aus dem oder in das Werkzeug.
- Drücken Sie den Haken soweit wie möglich herunter, wenn der Batterieadapter am Gürtel oder ähnlichem eingehakt ist.

Kabelhalter für Arm (Zubehör)

⚠️ ACHTUNG:

- Bringen Sie am Kabelhalter für den Arm ausschließlich das Verlängerungskabel an. Anderenfalls kann es zu einem Unfall oder Verletzungen kommen.
- Die Verwendung des Kabelhalters für den Arm unterstützt die Risikominimierung des versehentlichen Abschneidens des losen Verlängerungskabels. (Abb. 8)

Befestigen Sie das Armband des Kabelhalters fest um Ihren Arm und führen Sie das Verlängerungskabel durch die Halterung.

Die Länge des Armbandes für die Kabelhalterung kann eingestellt.

HINWEIS:

- Führen Sie das Verlängerungskabel nicht durch das Band.
- Überlasten Sie die Öffnung der Halterung nicht. Anderenfalls kann es zu einer Durchbiegung oder Beschädigung kommen.

BETRIEB

⚠️ ACHTUNG:

- Achten Sie darauf, dass Sie während des Schneidens nicht versehentlich mit einem metallischen Anschlag oder anderen harten Gegenständen in Berührung kommen. Das Schneidblatt kann brechen und schwere Verletzungen verursachen.
- Das weite Hinauslehnen mit einer Heckenschere, vor allem von einer Leiter aus, ist äußerst gefährlich. Arbeiten Sie niemals von einem wackligen oder unsicheren Standort aus. **(Abb. 9)**

Schneiden Sie mit dieser Heckenschere keine Äste mit einer Dicke von mehr als 10 mm Durchmesser. Solche Äste sollten zuerst mit einer Schere auf das Niveau der Heckenschere geschnitten werden.

⚠️ ACHTUNG:

- Schneiden Sie keine toten Äste oder ähnliche harte Gegenstände ab. Zuwiderhandlungen können das Werkzeug beschädigen. **(Abb. 10)**

Halten Sie die Heckenschere mit beiden Händen und betätigen Sie den Schalter A oder B. Bewegen Sie anschließend die Heckenschere vor Ihrem Körper.

(Abb. 11)

Neigen Sie im Grundbetrieb die Schneidblätter in Richtung der Trimmrichtung und bewegen Sie die Heckenschere ruhig und langsam mit einer Geschwindigkeit von 3 bis 4 Sekunden pro Meter.

(Abb. 12)

Zum geraden Schneiden einer Heckenoberkante können Sie eine Schnur in der gewünschten Heckenhöhe spannen und diese beim Schneiden als Referenzlinie verwenden. **(Abb. 13)**

Befestigen Sie beim Schneiden der Heckengerade die Spanaufnahme (Zubehör) am Werkzeug, um ein Umherfliegen der Blätter zu vermeiden. **(Abb. 14)**

Drehen Sie den Griff für eine einfache Handhabung. Siehe Abschnitt „Montagepositionen des Griffs“.

Zum gleichmäßigen Schneiden der Heckenseite

schneiden Sie diese von unten nach oben. **(Abb. 15)** Schneiden Sie Buchsbaum oder Rhododendron für ein hübsches Aussehen und einen guten Schnitt von der Basis zur Spitze.

Montage und Demontage der Spanaufnahme (Zubehör)

⚠️ ACHTUNG:

- Schalten Sie das Werkzeug aus und ziehen Sie den Akkublock ab, bevor Sie den Spanaufnahme an- oder abbauen.

HINWEIS:

- Tragen Sie beim Austauschen der Spanaufnahme immer Arbeitshandschuhe, sodass Sie das Schneidblatt nicht direkt mit den Händen berühren. Anderenfalls kann es zu Verletzungen kommen.
- Achten Sie vor dem Einsetzen der Spanaufnahme darauf, dass Sie die Schneidblattabdeckung entfernt haben.
- Die Spanaufnahme fängt die abgeschnittenen Blätter auf und erleichtert das Aufsammeln der abgefallenen Blätter. Die Spanaufnahme kann an jeder Seite des Werkzeugs befestigt werden. **(Abb. 16)**

Drücken Sie die Spanaufnahme auf die Schneidblätter, sodass die Schlitze die Muttern auf den Schneidblättern überdecken. Überprüfen Sie in diesem Moment, dass die Spanaufnahme den Astfänger am oberen Ende der Schneidblätter nicht berührt. **(Abb. 17)**

Zu diesem Zeitpunkt müssen Sie die Spanaufnahme anbringen, damit die Haken in die Kerben im Schneidblatt passen. **(Abb. 18)**

Zum Entfernen der Spanaufnahme drücken Sie den Hebel an beiden Seiten, sodass die Haken freigegeben werden. **(Abb. 19)**

⚠️ ACHTUNG:

- Die Schneidblattabdeckung (Standardausrüstung) kann bei angebrachter Spanaufnahme nicht montiert werden. Entfernen Sie vor dem Transport oder der Lagerung die Spanaufnahme und bringen Sie die Schneidblattabdeckung an, um ein Freiliegen des Blattes zu vermeiden.

HINWEIS:

- Prüfen Sie vor der Verwendung die sichere Installation der Spanaufnahme.
- Wenden Sie beim Entfernen der Spanaufnahme keine übermäßigen Kräfte an, wenn die Haken in den Blattkerben eingearastet sind. Die Anwendung übermäßiger Kräfte kann zu Beschädigungen führen.

WARTUNG

⚠️ ACHTUNG:

- Schalten Sie das Werkzeug stets aus und ziehen Sie den Akkublock ab, bevor Sie Inspektionen oder Wartungsarbeiten am Werkzeug vornehmen.

Reinigen des Werkzeugs

Reinigen Sie das Werkzeug, indem Sie den Staub mit einem trockenen oder in Seifenlösung getunkten Lappen abwischen.

⚠️ ACHTUNG:

- Verwenden Sie zum Reinigen niemals Kraftstoffe, Benzin, Verdünner, Alkohol oder ähnliches. Dies kann zu Verfärbungen, Verformungen oder Rissen führen.

Wartung des Sägeblatts

Schmieren Sie das Blatt vor dem Betrieb und nach jeder Betriebsstunde mit Maschinenöl oder ähnlichem.

HINWEIS:

- Nehmen Sie vor dem Schmieren des Messers die Spanaufnahme ab.

Entfernen Sie nach dem Betrieb den Staub von beiden Seiten des Blattes mit einer Drahtbürste, wischen Sie den

Staub mit einem Lappen ab und tragen Sie anschließend dünnflüssiges Öl, z.B. Maschinenöl usw., oder Sprühschmieröl auf.

⚠️ ACHTUNG:

- Waschen Sie die Blätter nicht mit Wasser ab. Zuwiderhandlungen können zum Rosten führen oder das Werkzeug beschädigen.

Montage und Demontage des Schneidblatts

⚠️ ACHTUNG:

- Schalten Sie das Werkzeug aus und ziehen Sie den Akkublock ab, bevor Sie das Schneidmesser an- oder abbauen.
- Tragen Sie beim Austauschen des Schneidblattes immer Arbeitshandschuhe und entfernen Sie die Blattabdeckung nicht, sodass Sie das Schneidblatt nicht direkt mit den Händen berühren. Andernfalls kann es zu Verletzungen kommen.

HINWEIS:

- Wischen Sie aus dem Getriebe und von der Kurbelwelle keine Schmiere ab. Zuwiderhandlungen können das Werkzeug beschädigen.
- Besondere Vorgehensweisen zum Entfernen und Anbringen der Schneidblätter finden Sie auf der Rückseite der Verpackung der Zubehörschneidblätter.

Ausbauen der Schneidblätter

Drehen Sie das Werkzeug um und lösen Sie die vier Schrauben. **(Abb. 20)**

HINWEIS:

- Achten Sie darauf, dass Sie sich Ihre Hände nicht beschmierem, denn im Antriebsbereich des Schneidblattes wurde Schmiermittel aufgetragen.

Entfernen Sie die untere Abdeckung. **(Abb. 21)**

Nehmen Sie die Platte ab. **(Abb. 22)**

Stellen Sie die Kurbelwelle mit einem Schlitzschraubendreher auf den in der Abbildung dargestellten Winkel ein. **(Abb. 23)**

Entfernen Sie die zwei Schrauben von den Schneidblättern und Sie können das Schneidblatt herausnehmen. **(Abb. 24)**

⚠️ ACHTUNG:

- Setzen Sie das Getriebe wieder in der Ursprungsposition ein, falls Sie es versehentlich herausgenommen haben.

Einbauen des Schneidblattes

Bereiten Sie die 4 entfernten Schrauben (für die untere Abdeckung), die 2 Schrauben (für das Schneidblatt), die Platte und die neuen Schneidblätter vor.

Passen Sie die Kurbelwellenposition wie in der Abbildung dargestellt an. Tragen Sie jetzt etwas Schmiermittel mit den neuen Schneidblättern am Rand der Kurbelwelle auf. **(Abb. 25)**

Bringen Sie das ovale Loch im oberen Blatt mit dem im unteren Blatt in Übereinstimmung. **(Abb. 26)**

Nehmen Sie die Blattabdeckung von den alten Schneidblättern ab und passen Sie diese auf die neuen an, um eine einfachere Handhabung während des Austauschs der Blätter zu ermöglichen. **(Abb. 27)**

Platzieren Sie die neuen Schneidblätter so auf dem Werkzeug, dass die ovalen Löcher in den Schneidblättern auf die Kurbelwelle passen. Bringen Sie die Löcher in den Schneidblättern mit den Schraubenlöchern im Werkzeug in Übereinstimmung und sichern Sie diese mit zwei Schrauben. **(Abb. 28)**

Prüfen Sie die Kurbelwelle mit einem Schlitzschraubendreher auf eine weiche Drehung. **(Abb. 29)**

Bringen Sie die Platte und untere Abdeckung wieder an. Ziehen Sie die Schrauben fest an.

HINWEIS:

- Ober- und Unterseite der Platte unterscheiden sich nicht.

Entfernen Sie die Blattabdeckung und schalten Sie das Werkzeug an, um die ordnungsgemäße Bewegung zu überprüfen.

HINWEIS:

- Wenn sich die Schneidblätter nicht ordnungsgemäß bewegen, liegt zwischen Blättern und Kurbelwelle eine schlechte Passform vor. Führen Sie den Vorgang erneut von Beginn an durch.

Ersetzen der Kohlebürsten (Abb. 30)

Entfernen und überprüfen Sie die Kohlebürsten in regelmäßigen Abständen. Ersetzen Sie diese, wenn sie bis zur Verschleißgrenze abgenutzt sind. Halten Sie die Kohlebürsten sauber und sorgen Sie dafür, dass sie locker in den Halterungen liegen. Ersetzen Sie beide Kohlebürsten gleichzeitig. Verwenden Sie nur identische Kohlebürsten. **(Abb. 31)**

Setzen Sie das obere Ende des Schlitzschraubendrehers in die Kerbe am Werkzeug ein, und entfernen Sie die Abdeckung der Halterkappe, indem Sie diese anheben. **(Abb. 32)**

Nehmen Sie die Kappen der Bürstenhalter mit Hilfe eines Schraubendrehers ab. Entnehmen Sie die verbrauchten Kohlebürsten, setzen Sie neue Bürsten ein und bringen Sie die Bürstenhalterkappen wieder fest an.

Befestigen Sie die Abdeckung der Halterkappe wieder am Gerät.

Aufbewahren

Zum Aufhängen des Werkzeugs an einem Nagel oder einer Schraube in der Wand ist der Hakendurchbruch im unteren Bereich der Blattabdeckung praktisch. **(Abb. 33)** Nehmen Sie den Akkublock heraus und bringen Sie die Messerabdeckung auf den Schneidmessern an, damit die Messer nicht frei liegen. Bewahren Sie das Werkzeug außerhalb der Reichweite von Kindern auf. Bewahren Sie das Werkzeug an einem Platz auf, wo es weder Wasser noch Regen ausgesetzt ist. Zur Gewährleistung von SICHERHEIT und ZUVERLÄSSIGKEIT des Produkts dürfen Reparaturen, Wartungsarbeiten und Einstellungen nur durch von DOLMAR autorisierte Servicecenter durchgeführt und ausschließlich DOLMAR-Ersatzteile verwendet werden.

SONDERZUBEHÖR

⚠️ ACHTUNG:

- Für das in diesem Handbuch beschriebene Dolmar-Gerät werden die folgenden Zubehör- und Zusatzteile

empfohlen. Bei Verwendung anderer Zubehör- und Zusatzteile kann es zu Verletzungen kommen. Verwenden Sie Zubehör- und Zusatzteile nur für den vorgesehenen Zweck.

Informationen zu diesem Zubehör erhalten Sie von Ihrem Dolmar-Servicecenter.

- Schneidmesserabdeckung
- Schneidblatt-Baugruppe
- Verschiedene Arten von originalen Akkus und Ladegeräten von Dolmar
- Batterieadapter
- Kabelhalters für den Arm (Verwendung zusammen mit dem Batterieadapter)
- Spanaufnehmer

HINWEIS:

- Einige der in der Liste aufgeführten Elemente sind dem Werkzeugpaket als Standardzubehör beigelegt. Diese können in den einzelnen Ländern voneinander abweichen.

Schallpegel

ENG905-1

Typischer A-bewerteter Schallpegel nach EN60745:

Modell AH-3655, AH-3656

Schalldruckpegel (L_{pA}): 85,1 dB (A)
Schalleistungspegel (L_{WA}): 93,1 dB (A)
Abweichung (K): 2,5 dB (A)

Modell AH-3665, AH-3666

Schalldruckpegel (L_{pA}): 84,3 dB (A)
Schalleistungspegel (L_{WA}): 92,3 dB (A)
Abweichung (K): 2,5 dB (A)

Tragen Sie Gehörschutz.

Schwingung

ENG900-1

Schwingungsgesamtwerte (Vektorsumme dreier Achsen) nach EN60745:

Modell AH-3655, AH-3656

Arbeitsmodus: Schlagschrauben von Befestigungsmitteln bei maximaler Leistung des Werkzeugs
Schwingsbelastung (a_h): 2,5 m/s²
Abweichung (K): 1,5 m/s²

Modell AH-3665, AH-3666

Arbeitsmodus: Schlagschrauben von Befestigungsmitteln bei maximaler Leistung des Werkzeugs
Schwingsbelastung (a_h): 3,0 m/s²
Abweichung (K): 1,5 m/s²

ENG901-1

- Der hier angegebene Wert für die erzeugten Schwingungen wurde gemäß dem genormten Testverfahren ermittelt und kann als Vergleich zu anderen Werkzeugen herangezogen werden.
- Der angegebene Wert für die erzeugten Schwingungen ist außerdem für eine vorbeugende Bewertung der Belastung zu verwenden.

WARNUNG:

- Die Schwingsbelastung kann bei tatsächlichem Gebrauch des Elektrowerkzeugs in Abhängigkeit von der Handhabung des Elektrowerkzeugs von dem hier aufgeführten Wert abweichen.
- Stellen Sie sicher, dass Schutzmaßnahmen für den Bediener getroffen werden, die auf den unter den tatsächlichen Arbeitsbedingungen zu erwartenden

Belastungen beruhen (beziehen Sie alle Bestandteile des Arbeitsablaufs ein, also zusätzlich zu den Arbeitszeiten auch Zeiten, in denen das Werkzeug ausgeschaltet ist oder ohne Last läuft).

Nur für europäische Länder

ENH032-2

EG-Konformitätserklärung

Die Unterzeichnenden, Tamiro Kishima und Rainer Bergfeld, bevollmächtigt durch die Dolmar GmbH, erklären, dass die Geräte der Marke DOLMAR:

Bezeichnung des Geräts / der Geräte:

Akku-Heckenschere

Nummer / Typ des Modells: AH-3655, AH-3656, AH-3665, AH-3666

Technische Daten: siehe Tabelle „TECHNISCHE DATEN“ in Serienfertigung hergestellt wird/werden und **den folgenden Richtlinien der Europäischen Union genügt/genügen:**

2000/14/EG, 2006/42/EG

Außerdem werden die Geräte gemäß den folgenden Standards oder Normen gefertigt:

EN60745

Die technische Dokumentation obliegt:

Dolmar GmbH,
Jenfelder Straße 38, Abteilung FZ,
D-22045 Hamburg

Das Verfahren zur Konformitätsbewertung, vorgesehen in 2000/14/EG, erfolgte in Übereinstimmung mit Anhang V.

Modell AH-3655, AH-3656

Gemessener Schalleistungspegel: 93,1 dB (A)


Garantierter Schalleistungspegel: 94 dB (A)

Modell AH-3665, AH-3666

Gemessener Schalleistungspegel: 92,4 dB (A)

Garantierter Schalleistungspegel: 94 dB (A)

30. 11. 2009



Tamiro Kishima
Geschäftsführer



Rainer Bergfeld
Geschäftsführer

ITALIANO (Istruzioni originali)

Spiegazione della vista generale

- | | | |
|---------------------------|--------------------------------------|--|
| 1. Area rossa | 16. Fascia del gancio da braccio | 31. Fessure |
| 2. Pulsante | 17. Supporto | 32. Premere i ganci su entrambi i lati |
| 3. Batteria | 18. Prolunga (adattatore batteria) | 33. Sbloccare i ganci |
| 4. Alloggiamento | 19. Adattatore (adattatore batteria) | 34. Coprilama |
| 5. Manopola | 20. Direzione di potatura | 35. Viti |
| 6. Maniglia | 21. Superficie della siepe da potare | 36. Coperchio inferiore |
| 7. Interruttore B | 22. Inclinare le lame. | 37. Piastrina |
| 8. Interruttore A | 23. Corda | 38. Eccentrico |
| 9. Ghiera di regolazione | 24. Premere | 39. Foro ovale della lama |
| 10. Spie luminose | 25. Raccogliitore di residui | 40. Indicatore di limite |
| 11. Pulsante di CONTROLLO | 26. Dado | 41. Coperchio supporto |
| 12. Adattatore | 27. Lama | 42. Cacciavite |
| 13. Gancio | 28. Aggancio rami | 43. Coperchio portaspaZZola |
| 14. Utensile | 29. Ganci | |
| 15. Cintura | 30. Inserire i ganci nelle fessure | |

CARATTERISTICHE TECNICHE

Modello	AH-3655	AH-3656	AH-3665	AH-3666
Lunghezza lama	550 mm		650 mm	
Colpi al minuto (min ⁻¹)	1.000 - 1.800		1.000 - 1.800	
Lunghezza totale	1.070 mm	1.074 mm	1.150 mm	1.154 mm
Peso netto	5,1 kg		5,2 kg	
Tensione nominale	D.C. 36 V		D.C. 36 V	

- Le caratteristiche tecniche riportate di seguito sono soggette a modifiche senza preavviso in virtù del nostro programma continuo di ricerca e sviluppo.
- Le caratteristiche tecniche e le batterie possono differire da paese a paese.
- Peso, comprensivo di batterie, calcolato in base alla Procedura EPTA 01/2003

Simboli

END013-2

Il seguente elenco riporta i simboli utilizzati per questo utensile.

È importante comprenderne il significato prima di utilizzare l'utensile.



..... Leggere il manuale di istruzioni.



..... Evitare l'esposizione alla pioggia.



..... Solo per i paesi UE

Non gettare le apparecchiature elettriche o le batterie tra i rifiuti domestici.

Secondo la Direttiva Europea 2002/96/CE sui rifiuti di apparecchiature elettriche ed elettroniche e la Direttiva Europea 2006/66/CE sulle batterie e gli accumulatori e sui rifiuti di batterie e di accumulatori, e la sua attuazione in conformità alle norme nazionali, le apparecchiature elettriche e le batterie esauste devono essere raccolte separatamente, al fine di essere riciclate in modo eco-compatibile.

Uso previsto

ENE014-1

L'utensile è progettato per il taglio delle siepi.

Avvertenze generali di sicurezza per l'uso dell'utensile

GEA010-1

⚠ AVVERTENZA Leggere attentamente tutte le avvertenze di sicurezza e le istruzioni. La mancata osservanza delle istruzioni e delle avvertenze riportate di seguito potrebbe provocare scosse elettriche, incendi e/o lesioni gravi.

Conservare le avvertenze e le istruzioni per riferimenti futuri.

AVVERTENZE DI SICUREZZA PER IL TAGLIEPI A BATTERIA

GEB062-3

1. **Impugnare l'utensile esclusivamente dalle superfici di presa isolate, poiché la lama di taglio potrebbe venire a contatto con conduttori nascosti.** Se le lame di taglio entrano a contatto con un filo percorso da corrente, le parti metalliche esposte dell'utensile si troveranno anch'esse sotto tensione e potrebbero provocare scariche elettriche sull'operatore.

2. **Mantenere il corpo lontano dalla lama di taglio. Non rimuovere il materiale tagliato e non sostenere il materiale da tagliare mentre le lame sono in movimento. Assicurarsi che l'interruttore sia nella posizione OFF prima di liberare il materiale incastrato.** Un momento di disattenzione durante l'uso del tagliasièpi può provocare gravi infortuni.
3. **Trasportare il tagliasièpi sostenendolo dall'impugnatura quando la lama di taglio si è fermata. Quando si trasporta o si ripone il tagliasièpi, inserire sempre il coprilama.** Il corretto uso del tagliasièpi riduce la possibilità di gravi infortuni provocati dalle lame di taglio.
4. Non usare il tagliasièpi sotto la pioggia o in condizioni di grande umidità. Il motore elettrico non è impermeabile.
5. Gli utenti alle prime armi dovrebbero fare affidamento su una persona esperta per imparare a utilizzare il tagliasièpi.
6. L'uso del tagliasièpi non è consentito ai minori di 18 anni. Le persone con più di 16 anni possono essere esentate da questa restrizione se stanno imparando l'uso dell'utensile sotto la supervisione di un esperto.
7. Il tagliasièpi deve essere utilizzato solo da persone in buone condizioni fisiche. In caso di stanchezza, l'attenzione risulta ridotta. Prestare particolare attenzione al termine di una giornata di lavoro. Eseguire il lavoro con calma e attenzione. L'utilizzatore è responsabile per tutti i danni a terzi.
8. Non utilizzare l'utensile di taglio se si è sotto l'influenza di alcool, droghe o farmaci.
9. Assicurarsi che la tensione e la frequenza dell'alimentazione corrispondano alle specifiche riportate sulla targhetta di identificazione. Si consiglia l'uso di un interruttore differenziale (salvavita) con una corrente di apertura di 30 mA o inferiore o di una protezione a dispersione di terra.
10. Guanti di lavoro in cuoio robusto fanno parte dell'equipaggiamento di base del tagliasièpi e devono essere sempre indossati durante il lavoro. Indossare anche scarpe robuste con suola antiscivolo.
11. Prima di cominciare il lavoro, assicurarsi che l'utensile da taglio sia in condizioni buone e sicure. Verificare che le protezioni siano installate correttamente. Il tagliasièpi deve essere utilizzato solo se completamente montato.
12. Assicurarsi di avere una buona presa a terra prima di iniziare il lavoro.
13. Sorreggere saldamente l'utensile durante l'uso.
14. Non azionare inutilmente l'attrezzo a vuoto.
15. Spegnerne immediatamente il motore e rimuovere la batteria se la lama dovesse entrare in contatto con una palizzata o un altro oggetto rigido. Verificare i danni alla lama e, se risulta danneggiata, ripararla immediatamente.
16. Spegnerne sempre l'utensile e rimuovere la batteria prima di controllare la lama, riparare i guasti o rimuovere il materiale incastrato nella lama.
17. Spegnerne l'utensile e rimuovere la batteria prima di eseguire qualsiasi lavoro di manutenzione.
18. Quando il tagliasièpi viene spostato in un altro luogo, anche durante il lavoro, rimuovere sempre la batteria

e applicare la copertura sulle lame di taglio. Non trasportare o spostare l'utensile da taglio mentre la lama è in funzione. Non afferrare la lama di taglio con le mani.

19. Pulire il tagliasièpi, specialmente la lama, dopo l'uso e prima di riporre l'utensile per periodi prolungati. Oliare leggermente la lama di taglio e applicare la copertura. La copertura in dotazione con l'unità può essere appesa al muro, garantendo un metodo sicuro e pratico per riporre il tagliasièpi.
20. Riporre il tagliasièpi con il coperchio installato, in un luogo asciutto. Tenere fuori dalla portata dei bambini. Non riporre mai l'utensile da taglio all'aperto.

CONSERVARE QUESTE ISTRUZIONI.

AVVERTENZA:

NON lasciare che la familiarità acquisita con il prodotto (dovuta all'uso ripetuto) provochi l'inosservanza delle norme di sicurezza per il presente prodotto. L'USO IMPROPRIO o la mancata osservanza delle norme di sicurezza contenute in questo manuale di istruzioni possono provocare infortuni gravi.

ISTRUZIONI IMPORTANTI PER LA SICUREZZA

ENC007-6

RELATIVE ALLA BATTERIA

1. **Prima di utilizzare la batteria, leggere tutte le istruzioni e gli avvisi di sicurezza relativi a (1) caricabatteria, (2) batteria e (3) prodotto utilizzato con la batteria.**
 2. **Non smontare la batteria.**
 3. **Se il tempo di funzionamento è diventato eccessivamente breve, non utilizzare l'utensile. Potrebbero verificarsi surriscaldamenti, ustioni o esplosioni.**
 4. **In caso di contatto dell'elettrolita della batteria con gli occhi, sciacquare con acqua fresca e rivolgersi immediatamente a un medico. Potrebbero verificarsi danni permanenti alla funzionalità visiva.**
 5. **Non cortocircuitare la batteria:**
 - (1) **Non toccare i terminali della batteria con materiale in grado di condurre elettricità.**
 - (2) **Evitare di conservare la batteria a contatto con oggetti metallici quali chiodi, monete e così via.**
 - (3) **Non esporre le batterie all'acqua o alla pioggia.**
- Un cortocircuito può provocare un elevato flusso di corrente, surriscaldamento, ustioni o rotture.**
6. **Non conservare l'utensile e la batteria a una temperatura superiore a 50 °C.**
 7. **Evitare di smaltire le batterie danneggiate o esaurite bruciandole. Se esposte al fuoco, le batterie possono esplodere.**
 8. **Evitare di far cadere o di colpire la batteria.**
 9. **Non utilizzare batterie danneggiate.**

CONSERVARE QUESTE ISTRUZIONI.

Suggerimenti il prolungamento della durata della batteria

1. **Caricare le batterie prima di scaricarle completamente.**
Se si nota una diminuzione di potenza dell'utensile, interrompere il lavoro e ricaricare la batteria.
2. **Non ricaricare una batteria già completamente carica.**
In caso contrario, la durata operativa della batteria potrebbe ridursi.
3. **Caricare la batteria in ambienti con temperatura compresa tra 10 °C e 40 °C.** Prima di caricare una batteria surriscaldata, lasciarla raffreddare.

DESCRIZIONE FUNZIONALE

⚠ ATTENZIONE:

- Prima di regolare o controllare le funzioni dell'utensile, verificare sempre di averlo spento e di aver rimosso la batteria.

Inserimento e rimozione della batteria

⚠ ATTENZIONE:

- **Tenere ben fermi l'utensile e la batteria durante l'inserimento o la rimozione della batteria.** In caso contrario potrebbero scivolare dalle mani, causando danni all'utensile o alla batteria, o infortuni. (Fig. 1)
- Prima di inserire o rimuovere la batteria, spegnere sempre l'utensile.
- Per rimuovere la batteria, estrarla dall'utensile facendo scorrere il pulsante sulla parte frontale della batteria.
- Per inserire la batteria, allineare la linguetta sulla batteria con la scanalatura dell'alloggiamento e farla scorrere fino a raggiungere la posizione corretta. Inserire sempre la batteria fino a quando si blocca in posizione con uno scatto. Se l'area rossa del lato superiore del pulsante è ancora visibile, la batteria non è completamente inserita. Inserirla fino a quando l'area rossa non è più visibile. In caso contrario la batteria può fuoriuscire accidentalmente dall'utensile e provocare lesioni all'operatore o a eventuali osservatori.
- Non applicare una forza eccessiva per inserire la batteria. Se la batteria non scorre agevolmente, la manovra di inserimento non è corretta.

Posizioni di regolazione della maniglia (Fig. 2)

La maniglia può essere ruotata di 90° a sinistra o a destra e può essere fissata in posizione di 45° o di 90°, a seconda delle esigenze di lavoro. Per prima cosa, tirare la manopola e ruotare la maniglia in senso orario o antiorario nella direzione della freccia, come mostrato in figura. La maniglia verrà bloccata nella posizione di 45°. Se si tira di nuovo la manopola, è possibile ruotare ulteriormente la maniglia. La maniglia verrà bloccata nella posizione di 90°.

⚠ ATTENZIONE:

- Prima dell'uso, verificare sempre che la maniglia sia bloccata nella posizione desiderata.

Azionamento degli interruttori

⚠ ATTENZIONE:

- Prima di inserire la batteria nell'utensile, controllare se l'interruttore di accensione funziona correttamente e ritorna alla posizione "OFF" una volta rilasciato. (Fig. 3)
- Per maggiore sicurezza, questo utensile è dotato di un doppio sistema di interruttori. Per accendere l'utensile, premere entrambi gli interruttori A e B. Per spegnere, rilasciare uno dei due interruttori. La sequenza con cui si premono gli interruttori non è significativa, in quanto l'utensile si accende solo quando due interruttori sono attivati.

Modifica della velocità (Fig. 4)

Il numero di colpi al minuto può essere regolato ruotando la ghiera di regolazione. L'operazione può essere eseguita anche quando l'utensile è in funzione. I segni sulla ghiera vanno da 1 (velocità minima) a 6 (velocità massima).

Fare riferimento alla tabella seguente per quanto riguarda la relazione fra la posizione della ghiera di regolazione e il numero di colpi al minuto.

Posizione della ghiera di regolazione	Colpi al minuto (min ⁻¹)
6	1.800
5	1.750
4	1.650
3	1.500
2	1.300
1	1.000

⚠ ATTENZIONE:

- La ghiera di regolazione della velocità può essere ruotata soltanto fino a 6 o indietro fino a 1. Non forzarla oltre 6 o 1: potrebbe non funzionare più correttamente.
- Il numero di colpi al minuto varia in base alle condizioni della batteria e delle lame.

Sistema di protezione della batteria

L'utensile è dotato di un sistema di protezione che interrompe automaticamente il flusso di corrente per garantirne una maggiore durata.

Se l'utensile e/o la batteria vengono utilizzati nelle situazioni indicate di seguito, l'utensile potrebbe arrestarsi durante il funzionamento. Questo comportamento è causato dall'attivazione del sistema di protezione e non deve essere considerato come un problema di funzionamento.

- Quando l'utensile è sovraccarico:
Rilasciare l'interruttore di accensione e rimuovere le cause del sovraccarico, quindi tirare di nuovo l'interruttore di accensione per riavviare l'utensile. Se l'utensile non funziona dopo aver tirato l'interruttore di accensione, significa che il sistema di protezione della batteria è ancora in funzione. Caricare la batteria prima dell'uso.

- Se la capacità residua della batteria è scarsa: Ricaricare la batteria.

Spia della capacità residua della batteria (solo per modelli con batteria AP-3622)

La batteria AP-3622 è dotata di una spia della capacità residua della batteria. (Fig. 5)

Premere il pulsante di CONTROLLO per visualizzare la capacità residua della batteria. Le spie luminose si illumineranno per circa tre secondi.

Spie luminose		Capacità residua	
Accesa	Spenta		Lampeggiante
E	■ ■ ■ ■ ■	F	Dal 70% al 100%
■ ■ ■ ■ ■	■ ■ ■ ■ ■		Dal 45% al 70%
■ ■ ■ ■ ■	■ ■ ■ ■ ■		Dal 20% al 45%
■ ■ ■ ■ ■	■ ■ ■ ■ ■		Dallo 0% al 20%
■ ■ ■ ■ ■	■ ■ ■ ■ ■		Caricare la batteria.
■ ■ ■ ■ ■	■ ■ ■ ■ ■	↑ ↓	Probabile malfunzionamento della batteria.

- Quando solo la spia luminosa più in basso (vicina alla "E") lampeggia, oppure quando nessuna delle spie luminose si accende, la capacità della batteria è esaurita, pertanto l'utensile non funziona. In questi casi, caricare la batteria o sostituire la batteria scarica con una completamente carica.
- Se a carica completa due o più spie luminose non si accendono, la batteria ha esaurito la propria durata operativa.
- Quando le prime due e le ultime due spie luminose si accendono alternativamente, potrebbe essersi verificato un malfunzionamento della batteria. Rivolgersi al centro di assistenza autorizzato Dolmar più vicino.

NOTA:

- Durante o subito dopo l'utilizzo dell'utensile la capacità indicata potrebbe essere inferiore al valore effettivo.
- Il valore indicato può variare leggermente dalla capacità effettiva in base alle condizioni di utilizzo e alla temperatura ambientale.

MONTAGGIO

⚠ ATTENZIONE:

- Prima di eseguire qualsiasi operazione sull'utensile, verificare sempre di averlo spento e di aver rimosso la batteria.

Adattatore batteria (accessorio)

(Fig. 6 e 7)

⚠ ATTENZIONE:

- Prima di usare l'adattatore della batteria, leggere tutte le istruzioni relative agli utensili utilizzati con la batteria.

- Prima di caricare la batteria, rimuoverla dall'adattatore della batteria. La batteria non può essere caricata mentre è in uso l'adattatore della batteria.

Inserimento e rimozione dell'adattatore della batteria

- Prima di inserire o rimuovere l'adattatore della batteria, spegnere sempre l'utensile.
- Per rimuovere l'adattatore della batteria, estrarlo dall'utensile facendo scorrere il pulsante sull'adattatore.
- Per inserire l'adattatore della batteria, allineare la linguetta sull'adattatore della batteria con la scanalatura dell'alloggiamento e farla scorrere fino a raggiungere la posizione corretta. Inserire sempre l'adattatore fino a quando si blocca in posizione con uno scatto. Se l'area rossa del lato superiore del pulsante è ancora visibile, l'adattatore non è completamente inserito. Inserirlo fino a quando l'area rossa non è più visibile. In caso contrario l'adattatore può fuoriuscire accidentalmente dall'utensile e provocare lesioni all'operatore o a eventuali osservatori.
- Non applicare una forza eccessiva per inserire l'adattatore della batteria. Se l'adattatore non scorre agevolmente, la manovra di inserimento non è corretta.
- Il sistema per rimuovere o inserire la batteria nell'adattatore della batteria è uguale a quello per rimuovere o inserire la batteria negli utensili.
- Premere saldamente il gancio fino in fondo quando l'adattatore della batteria è agganciato alla cintura o a oggetti simili.

Gancio da braccio (accessorio)

⚠ ATTENZIONE:

- Collegare il supporto del gancio da braccio solo alla prolunga. In caso contrario può sussistere il rischio di incidenti o lesioni personali.

L'uso del gancio da braccio riduce il rischio di tagliare inavvertitamente la prolunga quando questa non sia ben fissata. (Fig. 8)

Fissare la fascia del gancio attorno al braccio e passare la prolunga attraverso il supporto.

La lunghezza della fascia del gancio è regolabile.

NOTA:

- Non passare la prolunga attraverso la fascia.
- Non forzare l'apertura del supporto. Il supporto si potrebbe piegare e danneggiare.

USO

⚠ ATTENZIONE:

- Fare attenzione a non entrare in contatto con una palizzata metallica o altri oggetti duri durante il taglio. La lama si romperebbe e potrebbero verificarsi gravi lesioni personali.
- Sporgersi con il tagliasiepi, soprattutto da una scala, è estremamente pericoloso. Non lavorare in posizioni barcollanti o instabili. (Fig. 9)

Non tentare di tagliare rami con diametro superiore ai 10 mm. Questi dovrebbero essere tagliati prima con delle cesoie e portati al livello del taglio della siepe.

⚠ ATTENZIONE:

- Non tagliare alberi secchi o altri simili oggetti duri. In questo modo si potrebbe danneggiare l'utensile.

(Fig. 10)

Sorreggere il tagliasiepi con entrambe le mani e tirare gli interruttori di accensione A e B, spostando quindi l'utensile di fronte al proprio corpo. (Fig. 11)

Per l'uso più semplice, inclinare la lama in direzione del taglio e spostarla lentamente, con calma, ad una velocità di circa 3-4 secondi per metro. (Fig. 12)

Per tagliare in modo uniforme la sommità di una siepe può essere d'aiuto tirare uno spago all'altezza desiderata e usarlo come linea di riferimento. (Fig. 13)

L'uso di un raccoglitore i residui (accessorio) durante il taglio può evitare che le foglie tagliate possano essere scagliate in giro. (Fig. 14)

Prima dell'utilizzo, ruotare la maniglia per una maggiore maneggevolezza. Consultare la sezione intitolata "Posizioni di regolazione della maniglia".

Per tagliare in modo uniforme il lato di una siepe può essere d'aiuto tagliare dal basso verso l'alto. (Fig. 15)
Per ottenere buoni risultati, il bosso e il rododendro vanno tagliati dalla base verso l'alto.

Installazione e rimozione del raccoglitore di residui (accessorio).

⚠ ATTENZIONE:

- Prima di installare o rimuovere il raccoglitore di residui, verificare sempre di aver spento l'utensile e di aver rimosso la batteria.

NOTA:

- Sostituendo il raccoglitore di residui indossare sempre i guanti, in modo che la mani non tocchino direttamente la lama. In caso contrario si potrebbero rischiare lesioni personali.
- Accertarsi sempre di rimuovere il coprilama prima di installare il raccoglitore di residui.
- Il raccoglitore di residui raccoglie le foglie tagliate, impedendo che vengano disperse. Può essere installato su entrambi i lati dell'utensile. (Fig. 16)

Premere il raccoglitore di residui sulla lama, in modo che le sue feritoie si sovrappongano ai dadi sulla lama. A questo punto assicurarsi che il raccoglitore non tocchi l'aggancio rami sulla sommità della lama. (Fig. 17)

A questo punto il raccoglitore di residui deve essere installato in modo che i ganci si inseriscano nelle scanalature della lama. (Fig. 18)

Per rimuovere il raccoglitore di residui, premere la leva su entrambi i lati in modo da sbloccare i ganci. (Fig. 19)

⚠ ATTENZIONE:

- Il coprilama (dispositivo standard) non può più essere installato se è stato installato il raccoglitore. Prima di trasportare o riporre l'utensile, smontare il raccoglitore e rimontare il coprilama, per evitare che la lama sia esposta.

NOTA:

- Prima dell'uso, verificare che il raccoglitore di residui sia installato correttamente.
- Non tentare di smontare il raccoglitore esercitando una forza eccessiva sui ganci bloccati nelle fessure. Questo potrebbe danneggiare l'accessorio.

MANUTENZIONE

⚠ ATTENZIONE:

- Prima di effettuare controlli o operazioni di manutenzione, verificare sempre di aver spento l'utensile e di aver rimosso la batteria.

Pulizia dell'utensile

Pulire l'utensile eliminando la polvere mediante un panno asciutto o saponato.

⚠ ATTENZIONE:

- Evitare assolutamente l'uso di benzina, diluenti, solventi, alcol o sostanze simili. Potrebbero verificarsi scoloriture, deformazioni o incrinature.

Manutenzione della lama

Oliare la lama prima dell'uso e dopo ogni ora di utilizzo con olio per macchine, o simili.

NOTA:

- Rimuovere il raccoglitore di residui prima di oliare la lama.

Dopo l'uso eliminare la polvere da entrambi i lati della lama con una spazzola, eliminarla con un panno e quindi applicare olio a bassa viscosità, come olio per macchine oppure olio lubrificante spray.

⚠ ATTENZIONE:

- Non lavare la lama con acqua. Questo potrebbe causare ruggine o danneggiare l'utensile.

Installazione o rimozione della lama

⚠ ATTENZIONE:

- Prima di rimuovere o di installare la lama, verificare sempre che l'utensile sia spento e che la batteria sia stata rimossa.
- Sostituendo la lama indossare sempre i guanti e non rimuovere il coprilama, in modo che la mani non tocchino direttamente la lama. In caso contrario si potrebbero rischiare lesioni personali.

NOTA:

- Non eliminare il grasso da albero e ingranaggi. In questo modo si potrebbe danneggiare l'utensile.
- Per il modo esatto di rimuovere e installare la lama, fare riferimento al retro della confezione di una lama sostitutiva.

Rimozione della lama

Capovolgere l'utensile e allentare le quattro viti. (Fig. 20)

NOTA:

- Fare attenzione a non sporcarsi le mani con il grasso applicato nella zona di guida della lama.

Rimuovere il coperchio inferiore. (Fig. 21)

Rimuovere la piastrina. (Fig. 22)

Con un cacciavite a taglio impostare l'eccentrico all'angolo illustrato in figura. (Fig. 23)

Rimuovere due viti dalla lama: ora sarà possibile estrarre la lama. (Fig. 24)

⚠ ATTENZIONE:

- Riportare gli ingranaggi nella posizione originale come se venissero installati, se dovessero essere tolti per errore.

Installazione della lama

Preparare le 4 viti rimosse (per il coperchio inferiore), le 2 viti (per la lama), la piastrina, il coperchio inferiore e la nuova lama.

Regolare la posizione dell'eccentrico come mostrato in figura. A questo punto applicare un po' del grasso in dotazione con la nuova lama sulla periferia dell'eccentrico. (Fig. 25)

Sovrapporre il foro ovale della lama superiore con quello della lama inferiore. (Fig. 26)

Estrarre il coprilama dalla vecchia lama e collegarlo a quella nuova, in modo da facilitare la manipolazione durante la sostituzione. (Fig. 27)

Inserire la nuova lama nell'utensile, in modo che i fori ovali della lama vengano a corrispondere all'eccentrico.

Sovrapporre i fori della lama con i fori per le viti sull'utensile e fissarli con due viti. (Fig. 28)

Con un cacciavite a taglio, assicurarsi che l'eccentrico ruoti in modo liscio. (Fig. 29)

Montare la piastrina e il coperchio inferiore sull'utensile. Serrare saldamente la vite.

NOTA:

- Non c'è differenza tra la parte superiore e inferiore della piastrina.

Rimuovere il coprilama e accendere l'utensile per controllare che funzioni correttamente.

NOTA:

- Se la lama non funziona correttamente, questo significa che il collegamento della lama con l'eccentrico non è corretto. Rifare tutta la procedura dall'inizio.

Sostituzione delle spazzole di carbone (Fig. 30)

Rimuovere e controllare periodicamente le spazzole di carbone. Sostituire le spazzole quando sono consumate fino al limite indicato. Mantenere le spazzole di carbone pulite e libere per farle slittare nei supporti. Entrambe le spazzole di carbone devono essere sostituite contemporaneamente. Utilizzare solo spazzole di carbone identiche. (Fig. 31)

Inserire l'estremità superiore del cacciavite a taglio nella tacca sull'utensile, quindi rimuovere il coperchio del supporto sollevandolo. (Fig. 32)

Rimuovere i coperchi dei portaspazzola con un cacciavite. Estrarre le spazzole di carbone consumate, inserire le nuove spazzole e fissare i coperchi dei portaspazzola. Rimontare il coperchio del supporto sull'utensile.

Conservazione

Il foro sul fondo del coprilama è utile per appendere l'utensile a un chiodo o a una vite sul muro. (Fig. 33)

Rimuovere la batteria e applicare il coprilama sulle lame, in modo che le lame non siano esposte. Riporre l'utensile lontano dalla portata dei bambini.

Riporre l'utensile in un luogo non esposto ad acqua e pioggia. Per mantenere la SICUREZZA e l'AFFIDABILITÀ del prodotto, le riparazioni e qualsiasi altra operazione di manutenzione o regolazione devono essere eseguite dai centri di assistenza autorizzati DOLMAR utilizzando sempre parti di ricambio DOLMAR.

ACCESSORI OPZIONALI

⚠ ATTENZIONE:

- Si consiglia l'uso dei seguenti accessori per l'utensile Dolmar descritto in questo manuale. L'uso di qualsiasi altro accessorio potrebbe provocare lesioni personali. Utilizzare gli accessori esclusivamente per l'uso dichiarato.

Per l'assistenza e per ulteriori informazioni su tali accessori, rivolgersi al centro assistenza Dolmar di zona.

- Coprilama
- Unità lama
- Numerosi modelli di batterie e caricabatteria originali Dolmar
- Adattatore batteria
- Gancio da braccio (da usare insieme all'adattatore batteria)
- Raccogliitore di residui

NOTA:

- Alcuni degli accessori elencati potrebbero essere inclusi nella confezione dell'utensile come accessori standard. Gli accessori standard possono differire da paese a paese.

Rumore

ENG905-1

Il tipico livello di rumore ponderato "A" è determinato in conformità con la norma EN60745:

Modello AH-3655, AH-3656

Livello di pressione sonora (L_{pA}): 85,1 dB (A)

Livello di potenza sonora (L_{WA}): 93,1 dB (A)

Variazione (K): 2,5 dB (A)

Modello AH-3665, AH-3666

Livello di pressione sonora (L_{pA}): 84,3 dB (A)

Livello di potenza sonora (L_{WA}): 92,3 dB (A)

Variazione (K): 2,5 dB (A)

Indossare una protezione acustica.

Vibrazione

ENG900-1

Il valore totale delle vibrazioni (somma vettoriale triassiale) è determinato in conformità con la norma EN60745:

Modello AH-3655, AH-3656

Modalità di lavoro: serraggio ad impulsi di chiodi della capacità massima dell'utensile

Emissione delle vibrazioni (a_h): 2,5 m/s²

Variazione (K): 1,5 m/s²

Modello AH-3665, AH-3666

Modalità di lavoro: serraggio ad impulsi di chiodi della capacità massima dell'utensile

Emissione delle vibrazioni (a_h): 3,0 m/s²

Variazione (K): 1,5 m/s²

ENG901-1

- Il valore di emissione delle vibrazioni dichiarato è stato misurato in conformità con il metodo di test standard e può essere utilizzato per confrontare tra loro diversi utensili.
- Il valore di emissione delle vibrazioni dichiarato può anche essere utilizzato per stime preliminari dell'esposizione.

⚠ AVVERTENZA:

- L'emissione delle vibrazioni durante l'uso effettivo dell'utensile elettrico può risultare diversa rispetto al

valore dichiarato, in base alla modalità d'uso dell'utensile.

- Assicurarsi di individuare le necessarie misure di sicurezza per proteggere l'operatore in base a una stima dell'esposizione nelle condizioni reali di utilizzo (prendendo in considerazione tutte le fasi del ciclo operativo, come quante volte l'utensile viene spento e i periodi in cui rimane acceso ma inattivo, oltre al tempo di avviamento).

Solo per i paesi europei

ENH032-2

Dichiarazione di conformità CE

I sottoscritti Tamiro Kishima e Rainer Bergfeld, debitamente autorizzati da Dolmar GmbH, dichiarano che le macchine DOLMAR indicate di seguito:

Denominazione della macchina:

Tagliasiepi a batteria

N. modello/Tipo: AH-3655, AH-3656, AH-3665, AH-3666

Caratteristiche tecniche: vedere la tabella

"CARATTERISTICHE TECNICHE".

appartengono a una produzione in serie e

sono conformi alle seguenti direttive europee:

2000/14/EC, 2006/42/EC

Sono inoltre prodotte in conformità con gli standard o i documenti standardizzati riportati di seguito:

EN60745

La documentazione tecnica viene conservata presso:

Dolmar GmbH,

Jenfelder Strasse 38, Abteilung FZ,

D-22045 Amburgo

La procedura di valutazione della conformità richiesta dalla Direttiva 2000/14/CE è stata effettuata secondo quanto specificato nell'allegato V.

Modello AH-3655, AH-3656

Livello di potenza sonora misurato: 93,1dB (A)

Livello di potenza sonora garantito: 94 dB (A)

Modello AH-3665, AH-3666

Livello di potenza sonora misurato: 92,4 dB (A)

Livello di potenza sonora garantito: 94 dB (A)

30. 11. 2009



Tamiro Kishima
Direttore responsabile



Rainer Bergfeld
Direttore responsabile

NEDERLANDS (Originele instructies)

Verklaring van algemene gegevens

1. Rode deel	16. Armband	31. Groeven
2. Knop	17. Snoerring	32. Duw de vergrendeling aan beide zijden in
3. Accu	18. Verlengsnoer (accuadapter)	33. Trek de vergrendeling uit de groeven
4. Behuizing	19. Adapter (accuadapter)	34. Schede
5. Stootknop	20. Snoeirichting	35. Schroeven
6. Handgreep	21. Hegoppervlak dat u wilt snoeien	36. Deksel op onderkant
7. Aan/uit-schakelaar B	22. Kantel de messenbladen	37. Achterplaat
8. Aan/uit-schakelaar A	23. Touwtje	38. Kruk
9. Stelknop	24. Drukken	39. Ovale gat in messenblad
10. Status van lampjes	25. Snoeiafvalgeleider	40. Slijtgrensmarkering
11. CHECK-knop	26. Moer	41. Houderafdekking
12. Adapter	27. Messenblad	42. Schroevendraaier
13. Haak	28. Takkenvanger	43. Koolborsteldop
14. Gereedschap	29. Vergrendelingen	
15. Broekriem	30. Plaats de haken in de groeven	

TECHNISCHE GEGEVENS

Model	AH-3655	AH-3656	AH-3665	AH-3666
Lengte messenblad	550 mm		650 mm	
Aantal snoeibewegingen per minuut (min ⁻¹)	1.000 - 1.800		1.000 - 1.800	
Totale lengte	1.070 mm	1.074 mm	1.150 mm	1.154 mm
Netto gewicht	5,1 kg		5,2 kg	
Nominale spanning	36 V gelijkstroom		36 V gelijkstroom	

- Als gevolg van ons doorlopende onderzoeks- en ontwikkelingsprogramma, zijn de technische gegevens van dit gereedschap onderhevig aan veranderingen zonder voorafgaande kennisgeving.
- Specificaties en accu's kunnen van land tot land verschillen.
- Gewicht, inclusief de accu, volgens de EPTA-procedure 01/2003

Symbolen

END013-2

Hieronder staan de symbolen die voor dit gereedschap worden gebruikt.

Zorg ervoor dat u weet wat ze betekenen alvorens het gereedschap te gebruiken.



..... Lees de gebruiksaanwijzing.



..... Stel het gereedschap niet bloot aan regen.



..... Alleen voor EU-landen

Geef elektrisch gereedschap en accu's niet met het huisvuil mee!
Volgens de Europese richtlijn 2002/96/EC inzake oude elektrische en elektronische apparaten, 2006/66/EC inzake batterijen en accu's en de toepassing daarvan binnen de nationale wetgeving, dienen gebruikt elektrisch gereedschap en accu's gescheiden te worden ingezameld en te worden afgevoerd naar een recyclebedrijf dat voldoet aan de geldende milieueisen.

Gebruiksdoel

ENE014-1

Het gereedschap is bedoeld om heggen te snoeien.

Algemene veiligheidswaarschuwingen voor elektrisch gereedschap

GEA010-1



WAARSCHUWING Lees alle

veiligheidswaarschuwingen en alle instructies. Het niet volgen van de waarschuwingen en instructies kan leiden tot elektrische schokken, brand en/of ernstig letsel.

Bewaar alle waarschuwingen en instructies om in de toekomst te kunnen raadplegen.

VEILIGHEIDSWAARSCHUWINGEN SPECIFIEK VOOR EEN ACCUHEGGENSCHAAR

GEB062-3

1. **Houd het elektrisch gereedschap alleen vast bij het geïsoleerde oppervlak omdat de messenbladen met verborgen bedrading in aanraking kunnen komen.** Wanneer de messenbladen in aanraking komen met onder spanning staande draden, zullen de niet-geïsoleerde metalen delen van het gereedschap onder spanning

- komen te staan zodat de gebruiker een elektrische schok kan krijgen.
2. **Houd alle lichaamsdelen uit de buurt van de messenbladen. Verwijder geen snoeiafval en houd geen materiaal om te snoeien vast terwijl de messenbladen bewegen. Zorg ervoor dat de aan/uit-schakelaar in de uit-stand staat voordat u vastgeklemd materiaal vanaf de messenbladen verwijdert.** Een ogenblik van onoplettendheid kan tijdens het gebruik van de heggenschaar leiden tot ernstig persoonlijk letsel.
 3. **Draag de heggenschaar aan het handvat met stilstaande messenbladen. Bij het transporteren of opbergen van de heggenschaar moet altijd de schede om de messenbladen worden gedaan.** Door op de juiste manier met de heggenschaar om te gaan, verkleint u de kans op mogelijk letsel door de messenbladen.
 4. Gebruik de heggenschaar niet in de regen of onder natte of zeer vochtige omstandigheden. De elektromotor is niet waterdicht.
 5. Onervaren gebruikers dienen door een ervaren gebruiker van heggenscharen te worden voorgedaan hoe de heggenschaar moet worden gebruikt.
 6. De heggenschaar mag niet worden gebruikt door kinderen of jeugd jonger dan 18 jaar. Jongeren ouder dan 16 jaar kunnen uitgezonderd worden van deze regel mits zijn les krijgen onder toezicht van een expert.
 7. Gebruik de heggenschaar alleen als u in goede lichamelijke conditie bent. Als u vermoeid bent, kunt u zich minder goed concentreren. Wees met name voorzichtig aan het einde van de werkdag. Werk altijd rustig en voorzichtig. De gebruiker is aansprakelijk voor alle schade toegebracht aan derden.
 8. Gebruik de heggenschaar nooit onder invloed van alcohol, drugs of medicijnen.
 9. Controleer of de spanning en frequentie van de voeding overeenkomen met de specificaties vermeld op het typeplaatje. Wij adviseren u een op reststroom werkende stroomonderbreker (aardsluiting-stroomonderbreker) met een uitschakelstroomsterkte van 30 mA of minder, of een aardlek-stroombeveiliging te gebruiken.
 10. Werkhandschoenen van stevig leer maken deel uit van de standaardwerkuitrusting van de heggenschaar en moeten tijdens het werken ermee altijd worden gedragen. Draag tevens stevige schoenen met slijp vaste zolen.
 11. Alvorens met de werkzaamheden te beginnen, moet u controleren of de heggenschaar in goede en veilige staat verkeert. Controleer dat de beschermkappen stevig gemonteerd zijn. De heggenschaar mag niet worden gebruikt voordat deze geheel compleet en afgemonteerd is.
 12. Zorg alvorens met de werkzaamheden te beginnen ervoor dat u stevig staat.
 13. Houd tijdens het gebruik het gereedschap stevig vast.
 14. Laat het gereedschap niet onnodig onbelast draaien.
 15. Schakel het gereedschap onmiddellijk uit en verwijder de accu als de messenbladen van de heggenschaar in aanraking komen met een afsterfing of ander hard voorwerp. Controleer de messenbladen op beschadigingen en repareer deze onmiddellijk.
 16. Alvorens de messenbladen te controleren, storingen te verhelpen of vastgelopen materiaal te verwijderen, schakelt u de heggenschaar altijd uit en verwijdert u de accu.
 17. Schakel de heggenschaar uit en verwijder de accu alvorens enige onderhoudswerkzaamheden uit te voeren.
 18. Wanneer u de heggenschaar naar een andere plaats overbrengt, ook tijdens het werk, verwijdert u altijd eerst de accu en schuift u de schede over de messenbladen. Draag of vervoer de heggenschaar nooit met ingeschakelde messenbladen. Pak de messenbladen nooit met uw handen beet.
 19. Reinig de heggenschaar, en met name de messenbladen, na ieder gebruik en voordat de heggenschaar langdurig wordt opgeborgen. Smeer de messenbladen met een beetje olie en breng de schede aan. De schede die bij het gereedschap is geleverd kan aan een muur worden gehangen zodat de heggenschaar praktisch en veilig opgeborgen kan worden.
 20. Berg de heggenschaar op met aangebrachte schede in een droog vertrek. Houd het gereedschap buiten bereik van kinderen. Laat de heggenschaar nooit buiten liggen.

BEWAAR DEZE INSTRUCTIES.

⚠ WAARSCHUWING:

Laat u NIET misleiden door een vals gevoel van comfort en bekendheid met het gereedschap (na veelvuldig gebruik) en neem alle veiligheidsvoorschriften van het betreffende product altijd strikt in acht. VERKEERD GEBRUIK of het niet volgen van de veiligheidsinstructies in deze gebruiksaanwijzing kan leiden tot ernstig persoonlijk letsel.

BELANGRIJKE VEILIGHEIDSinSTRUCTIES ENC007-6

VOOR ACCU'S

1. **Alvorens de accu in gebruik te nemen, leest u eerst alle instructies en waarschuwingsofschriften op (1) de acculader, (2) de accu en (3) het apparaat waarin de accu wordt aangebracht.**
2. **Haal de accu niet uit elkaar.**
3. **Als de gebruikstijd aanzienlijk korter is geworden, stopt u onmiddellijk met het gebruik. Anders kan dit leiden tot kans op oververhitting, mogelijke brandwonden en zelfs een explosie.**
4. **Als de elektrolyt in uw ogen komt, wast u deze uit met schoon water en raadpleegt u onmiddellijk een arts. Dit kan leiden tot verlies van gezichtsvermogen.**
5. **Sluit de accu niet kort:**
 - (1) **Raak de accupolen niet aan met enig geleidend materiaal.**
 - (2) **Bewaar de accu niet op een plaats waar deze in aanraking kan komen met andere metalen voorwerpen, zoals spijkers, munten, enz.**
 - (3) **Stel de accu niet bloot aan water of regen.**

Kortsluiting van de accu kan leiden tot een hoge stroomsterkte, oververhitting, mogelijke brandwonden en zelfs een defect.

6. Bewaar het gereedschap en de accu niet op plaatsen waar de temperatuur kan oplopen tot 50 °C of hoger.
7. Werp de accu niet in een vuur, zelfs niet als deze al ernstig beschadigd of helemaal versleten is. De accu kan in een vuur exploderen.
8. Wees voorzichtig dat u de accu niet laat vallen of ergens tegenaan stoot.
9. Gebruik nooit een beschadigde accu.

BEWAAR DEZE INSTRUCTIES.

Tips voor een lange levensduur van de accu

1. Laad de accu op voordat deze volledig leeg is. Wanneer u merkt dat het gereedschap minder vermogen heeft, stopt u met het gebruik ervan en laadt u eerst de accu op.
2. Laad nooit een volledig opgeladen accu op. Te lang opladen verkort de levensduur van de accu.
3. Laad de accu op bij een omgevingstemperatuur van 10 °C tot 40 °C. Laat een warme accu eerst afkoelen voordat u deze oplaadt.

BESCHRIJVING VAN DE FUNCTIES

⚠ LET OP:

- Zorg ervoor dat het gereedschap is uitgeschakeld en dat de accu is verwijderd voordat u de werking van het gereedschap aanpast of controleert.

De accu aanbrengen en verwijderen

⚠ LET OP:

- Houd het gereedschap en de accu stevig vast tijdens het aanbrengen of verwijderen van de accu. Als u het gereedschap en de accu niet stevig vasthoudt, kunnen deze uit uw handen glijpen en beschadigd raken, of kan persoonlijk letsel worden veroorzaakt. (zie afb. 1)
- Schakel het gereedschap altijd uit voordat u de accu aanbrengt of verwijderd.
- Om de accu te verwijderen verschuift u de knop aan de voorkant van de accu en trekt u tegelijkertijd de accu uit het gereedschap.
- Om de accu aan te brengen lijnt u de lip op de accu uit met de groef in de behuizing en duwt u de accu op zijn plaats. Steek de accu zo ver mogelijk in het gereedschap tot u een klikgeluid hoort. Als u het rode deel aan de bovenkant van de knop kunt zien, is de accu niet goed aangebracht. Steek de accu zo ver mogelijk erin tot het rode deel niet meer zichtbaar is. Als u dit niet doet, kan de accu per ongeluk uit het gereedschap vallen en u of anderen in uw omgeving verwonden.
- Oefen geen grote kracht uit bij het aanbrengen van de accu. Als de accu niet gemakkelijk in het gereedschap kan worden gestoken, wordt deze niet goed aangebracht.

Draaistand van handvat (zie afb. 2)

Het handvat kan maximaal 90° linksom en rechtsom worden gedraaid, en in de stand 45° of 90° worden vastgezet, afhankelijk van uw werkhouding. Trek eerst aan de knop en draai het handvat linksom of rechtsom in de richting van de pijl, zoals aangegeven in de afbeelding. Het handvat zal worden vergrendeld in de stand 45°. Trek nogmaals aan de knop en draai het handvat verder. Het handvat zal worden vergrendeld in de stand 90°.

⚠ LET OP:

- Controleer voor gebruik altijd dat het handvat in de gewenste stand goed is vergrendeld.

Werking van de aan/uit-schakelaar

⚠ LET OP:

- Controleer altijd, voordat u de accu in het gereedschap steekt, of de aan/uit-schakelaar op de juiste manier schakelt en weer terugkeert naar de uit-stand nadat deze is losgelaten. (zie afb. 3)

Voor uw veiligheid is dit gereedschap uitgerust met een dubbel in-/uitschakelsysteem. Om het gereedschap in te schakelen, drukt u de aan/uit-schakelaars A en B in. Laat één van de twee ingedrukte aan/uit-schakelaars los om het gereedschap uit te schakelen. De volgorde waarin de aan/uit-schakelaars worden ingedrukt is niet van belang omdat het gereedschap pas start nadat de tweede schakelaar is ingedrukt.

De snelheid veranderen (zie afb. 4)

Het aantal slagen per minuut kan worden ingesteld door de stelknop te draaien. Dit kan zelfs worden gedaan terwijl het gereedschap wordt gebruikt. De stelknop is gemerkt van 1 (laagste snelheid) tot 6 (volle snelheid). Raadpleeg onderstaande tabel voor het aantal slagen per minuut in iedere stand van de stelknop.

Cijfer op stelknop	Aantal snijbewegingen per minuut (min ⁻¹)
6	1.800
5	1.750
4	1.650
3	1.500
2	1.300
1	1.000

⚠ LET OP:

- U kunt de stelknop voor de snelheid alleen tot aan het cijfer 6 draaien en terug naar 1. Forceer de stelknop niet voorbij de 6 of de 1 omdat de snelheidsregeling daardoor defect kan raken.
- Het aantal slagen per minuut varieert met de toestand van de accu en messenbladen.

Accubeveiligingssysteem

Het gereedschap is voorzien van een beveiligingssysteem dat automatisch het uitgangsvermogen onderbreekt voor een langere levensduur.








Het gereedschap kan tijdens het gebruik stoppen wanneer het gereedschap en/of de accu zich in de volgende situatie bevinden. Dit wordt veroorzaakt door de

inwerkingtreding van het beveiligingssysteem en duidt niet op een defect van het gereedschap.

- Bij overbelasting van het gereedschap:
Als dit het geval is, laat u de aan/uit-schakelaar los, heft u de oorzaak van de overbelasting op en knijpt u daarna de aan/uit-schakelaar weer in om verder te gaan. Als het gereedschap nog steeds niet werkt nadat de aan/uit-schakelaar is ingeknepen, is de automatische uitschakeling van het accuvormogen nog steeds in werking. Laad de accu op alvorens deze te gebruiken.
- Als de resterende acculading laag is:
Laad de accu op.

Indicator voor resterende acculading (alleen voor de modellen met accu AP-3622)

Accu AP-3622 is uitgerust met een indicator voor de resterende acculading (zie afb. 5). Druk op de CHECK-knop om de resterende acculading te zien. De indicatorlampjes branden dan gedurende ongeveer drie seconden.

Status van lampjes	Resterende acculading
	
E  F	70% t/m 100%
	45% t/m 70%
	20% t/m 45%
	0% t/m 20%
	Laad de accu op.
	Er kan een storing in de accu zijn opgetreden.

- Wanneer alleen het onderste lampje knippert (naast de letter "E"), of wanneer geen van de lampjes branden, is de acculading op en werkt het gereedschap niet meer. In dit geval, laadt u de accu op of vervangt u de lege accu door een volledig opgeladen accu.
- Wanneer twee of meer lampjes niet branden, ook niet nadat het opladen voltooid is, heeft de accu het einde van zijn levensduur bereikt.
- Wanneer de bovenste twee en de onderste twee lampjes beurtelings branden, kan een storing in de accu opgetreden zijn. Neem contact op met u uw plaatselijk, erkend Dolmar-servicecentrum.

OPMERKING:

- De aangegeven acculading kan lager zijn de werkelijke acculading tijdens gebruik of onmiddellijk na gebruik van het gereedschap.
- Afhankelijk van de gebruiksomstandigheden en de omgevingstemperatuur, is het mogelijk dat de aangegeven acculading verschilt van de werkelijke acculading.

DE ONDERDELEN MONTEREN

⚠ LET OP:

- Controleer altijd of het gereedschap is uitgeschakeld en de accu is verwijderd alvorens enige werkzaamheden aan het gereedschap te verrichten.

Accuadapter (accessoire) (zie afb. 6 en 7)

⚠ LET OP:

- Alvorens de accuadapter te gebruiken, leest u eerst alle instructies voor gereedschappen die op een accu werken.
- Als u een accu wilt opladen, verwijdert u hem eerst vanaf de accuadapter en laadt u hem daarna op. Het is niet toegestaan de accu op te laden terwijl deze in de accuadapter is aangebracht.

De accuadapter aanbrengen en verwijderen

- Schakel het gereedschap altijd uit voordat u de accuadapter aanbrengt of verwijdert.
- Om de accuadapter te verwijderen, verschuift u de knop op de accuadapter en trekt u tegelijkertijd de accuadapter van het gereedschap af.
- Om de accuadapter aan te brengen lijnt u de lip op de accuadapter uit met de groef in de behuizing en duwt u de accuadapter op zijn plaats. Steek de accuadapter zo ver mogelijk in het gereedschap tot u een klikgeluid hoort. Als u het rode deel aan de bovenkant van de knop kunt zien, is de accuadapter niet goed aangebracht. Steek de accuadapter zo ver mogelijk erin tot het rode deel niet meer zichtbaar is. Als u dit niet doet, kan de accuadapter per ongeluk uit het gereedschap vallen en u of anderen in uw omgeving verwonden.
- Oefen geen grote kracht uit bij het aanbrengen van de accuadapter. Als de accuadapter niet gemakkelijk in het gereedschap kan worden gestoken, wordt deze niet goed aangebracht.
- De procedure voor het aanbrengen of verwijderen van de accu op of van de accuadapter is hetzelfde als die voor het aanbrengen of verwijderen van de accu op of van het gereedschap.
- Druk de haak stevig zo ver mogelijk omlaag wanneer u de accuadapter aan een broekriem of iets soortgelijks haakt.

Armbandhaak (los verkrijgbaar)

⚠ LET OP:

- Bevestig de snoerring van de armbandhaak niet aan iets anders dan het verlengsnoer. Als u dat toch doet, kan dit leiden tot een ongeval of persoonlijk letsel. Het gebruik van de armbandhaak draagt bij aan het verkleinen van de kans op het per ongeluk doorsnijden van het verlengsnoer als gevolg van een loshangend verlengsnoer. (zie afb. 8)
- Bevestig de armband stevig om uw arm en duw het verlengsnoer in de snoerring.
- De lengte van de armband kan worden afgesteld.

OPMERKING:

- Het verlengsnoer mag niet onder de armband zitten.
- Forceer de opening van de snoerring niet. Als u dit toch doet, kan deze worden vervormd en beschadigd.

BEDIENING

LET OP:

- Wees voorzichtig niet per ongeluk een metalen afrastering of andere harde voorwerpen te raken tijdens het snoeien. De messenbladen zullen breken en kunnen ernstig letsel veroorzaken.
- Het is bijzonder gevaarlijk met de heggenschaar te ver te reiken, met name op een ladder. Werk niet vanuit een wankele of instabiele positie. **(zie afb. 9)**

Probeer geen takken dikker dan 10 mm diameter te snoeien met deze heggenschaar. Deze dienen eerst met een snoeischaar te worden teruggeknipt tot de juiste snoeihoogte.

LET OP:

- Snoei niet in dode bomen of andere harde voorwerpen. Als u zich hier niet aan houdt, kan het gereedschap worden beschadigd. **(zie afb. 10)**

Druk met beide handen de aan/uit-schakelaars A en B in, houdt de heggenschaar vóór uw lichaam en snoei van beneden naar boven. **(zie afb. 11)**

Als standaardmethode houdt u de messenbladen gekanteld in de snoeirichting en beweegt u ze rustig en langzaam met een snelheid van 3 of 4 seconden per meter. **(zie afb. 12)**

Om de bovenkant van een heg gelijkmatig te snoeien, is het handig een touwtje op de gewenste hoogte te spannen en er langs te snoeien. **(zie afb. 13)**

Door een snoeiafvalgeleider (los verkrijgbaar) op het gereedschap aan te brengen bij het recht snoeien van een heg, wordt voorkomen dat het snoeiafval wordt weggeworpen. **(zie afb. 14)**

Draai het handvat voor een comfortabele bediening alvorens verder te werken. Raadpleeg de tekst onder "Draaistand van handvat".

Om de zijkant van een heg gelijkmatig te snoeien, is het handig van onder naar boven te snoeien. **(zie afb. 15)**
Snoei buxus en rododendron van onder naar boven voor een mooie, gladde afwerking.

De snoeiafvalgeleider (los verkrijgbaar) aanbrengen en verwijderen

LET OP:

- Zorg er altijd voor dat het gereedschap is uitgeschakeld en de accu is verwijderd, voordat u de snoeiafvalgeleider aanbrengt of verwijdert.

OPMERKING:

- Draag bij het aanbrengen of verwijderen van de snoeiafvalgeleider altijd handschoenen zodat uw handen en gezicht niet rechtstreeks in aanraking komen met de messenbladen. Als u dat niet doet, kan dit leiden tot persoonlijk letsel.
 - Haal altijd eerst de schede van de messenbladen af voordat u de snoeiafvalgeleider aanbrengt.
 - De snoeiafvalgeleider vangt de gesnoeide blaadjes af en vergemakkelijkt het verzamelen van de vallende blaadjes. De snoeiafvalgeleider kan aan beide kanten van het gereedschap worden bevestigd. **(zie afb. 16)**
- Duw de snoeiafvalgeleider op de messenbladen zodat de sleuven over de moeren op de messenbladen vallen. Let erop dat de snoeiafvalgeleider de takkenvanger aan de voorkant van de messenbladen niet raakt. **(zie afb. 17)**

Op dat moment moet de snoeiafvalgeleider worden aangebracht zodat de haken ervan passen in de groeven van de messenbladen. **(zie afb. 18)**

Om de snoeiafvalgeleider te verwijderen, drukt u de ontgrendeling aan beide zijden in zodat de haken loskomen uit de groeven. **(zie afb. 19)**

LET OP:

- De schede (standaarduitrusting) kan niet om de messenbladen worden geschoven terwijl de snoeiafvalgeleider is aangebracht. Alvorens de heggenschaar mee te nemen of op te bergen, verwijdert u de snoeiafvalgeleider en schuift u de schede om de messenbladen om te voorkomen dat deze bloot liggen.

OPMERKING:

- Controleer de snoeiafvalgeleider op correcte montage alvorens deze te gebruiken.
- Probeer de snoeiafvalgeleider nooit met grote kracht te verwijderen terwijl de vergrendelingen aangrijpen in de gleuven van de messenbladen. Bij gebruik van grote kracht kan de snoeiafvalgeleider worden beschadigd.

ONDERHOUD

LET OP:

- Zorg er altijd voor dat het gereedschap is uitgeschakeld en de accu is verwijderd, voordat u een inspectie of onderhoud uitvoert.

Het gereedschap schoonmaken

Maak het gereedschap schoon door het stof eraf te vegen met een droge of met zeepwater bevochtigde doek.

LET OP:

- Gebruik nooit benzine, wasbenzine, thinner, alcohol, enz. Dit kan leiden tot verkleuren, vervormen of barsten.

Onderhoud van messenbladen

Smeer de messenbladen voor aanvang van de werkzaamheden en na ieder werkuur met machineolie of gelijkwaardig.

OPMERKING:

- Voordat u de messenbladen smeert, moet de snoeiafvalgeleider worden verwijderd.

Verwijder na de werkzaamheden het vuil van beide zijden van de messenbladen met behulp van een staalborstel, veeg de messenbladen schoon met een doek, en breng voldoende olie met een lage viscositeit aan, zoals bijvoorbeeld machineolie, smeeroilie uit een spuitbus, enz.

LET OP:

- Was de messenbladen niet met water. Als u dit toch doet, kunnen de messenbladen gaan roesten of het gereedschap worden beschadigd.

De messenbladen aanbrengen en verwijderen

LET OP:

- Zorg er altijd voor dat het gereedschap is uitgeschakeld en de accu is verwijderd, voordat u de messenbladen aanbrengt of verwijdert.

- Draag bij het aanbrengen of verwijderen van de messenbladen altijd handschoenen zonder de schede eraf te halen zodat uw handen en gezicht niet rechtstreeks in aanraking komen met de messenbladen. Als u dat niet doet, kan dit leiden tot persoonlijk letsel.

OPMERKING:

- Veeg het vet op het tandwiel en de kruk niet af. Als u dit toch doet, kan het gereedschap worden beschadigd.
- Voor de specifieke methode van het verwijderen en aanbrengen van messenbladen, leest u de achterkant van de verpakking van de los verkrijgbare messenbladen.

De messenbladen verwijderen

Draai het gereedschap ondersteboven en draai de vier schroeven los. **(zie afb. 20)**

OPMERKING:

- Wees voorzichtig uw handen niet vuil te maken aan het vet in het tandwielhuis van de messenbladen. Verwijder het deksel op de onderkant. **(zie afb. 21)** Verwijder de plaat. **(zie afb. 22)** Draai de kruk met behulp van een platkopschroevendraaier naar de hoek aangegeven in de afbeelding. **(zie afb. 23)** Verwijder de twee schroeven uit de messenbladen zodat de messenbladen uit het gereedschap verwijderd kunnen worden. **(zie afb. 24)**

LET OP:

- Draai het tandwiel terug naar de oorspronkelijke stand waarin het werd aangebracht voor het geval het per ongeluk wordt afgenomen.

De messenbladen aanbrengen

Bereid de 4 schroeven (voor het deksel op de onderkant), de 2 schroeven (voor de messenbladen), de plaat, het deksel op de onderkant en de nieuwe messenbladen voor.

Draai de kruk naar de stand zoals aangegeven in de afbeelding. Breng vet aan, dat bij de nieuwe messenbladen werd geleverd, rondom de kruk. **(zie afb. 25)**

Leg het ovale gat in het bovenste messenblad over het gat in het onderste messenblad. **(zie afb. 26)**

Haal de schede van de oude messenbladen af en schuif hem op de nieuwe messenbladen om veiliger te werken tijdens het vervangen van de messenbladen. **(zie afb. 27)**

Plaats de nieuwe messenbladen in het gereedschap zodat de ovale gaten in de messenbladen over de kruk passen. Laat de gaten in de messenbladen samenvallen met de schroefgaten in het gereedschap en zet ze daarna vast met de twee schroeven. **(zie afb. 28)**

Controleer met een platkopschroevendraaier of de kruk soepel draait. **(zie afb. 29)**

Monteer de plaat en het deksel op de onderkant van het gereedschap. Draai de schroeven stevig aan.

OPMERKING:

- Er is geen onderscheid tussen de boven- en onderkant van de plaat.

Haal de schede van de messenbladen af en schakel daarna het gereedschap in om te controleren of het goed werkt.

OPMERKING:

- Als de messenbladen niet goed werken, zijn ze niet goed op de kruk bevestigd. Voer de procedure vanaf het begin opnieuw uit.

De koolborstels vervangen (zie afb. 30)

Verwijder en controleer de koolborstels regelmatig.

Vervang deze wanneer ze tot aan de slijtgrensmarkering zijn afgesleten. Houd de koolborstels schoon en zorg ervoor dat ze vrij kunnen bewegen in de houders. Beide koolborstels dienen tegelijkertijd te worden vervangen.

Gebruik alleen identieke koolborstels. **(zie afb. 31)**

Steek een platkopschroevendraaier in de inkeping in het gereedschap en verwijder de houderafdekking door deze omhoog te wippen. **(zie afb. 32)**

Gebruik een schroevendraaier om de koolborsteldoppen te verwijderen. Haal de versleten koolborstels eruit, plaats de nieuwe erin, en zet de koolborsteldoppen goed vast. Plaats de houderafdekking terug op het gereedschap.

Bewaren

Het gaatje in de onderkant van de schede is handig om het gereedschap aan een spijker in de muur op te hangen. **(zie afb. 33)**

Verwijder de accuadapter en schuif de schede over de messenbladen zodat deze niet bloot liggen. Bewaar het gereedschap buiten bereik van kinderen.

Bewaar het gereedschap op een plaats die niet is blootgesteld aan water of regen. Om de VEILIGHEID en BETROUWBAARHEID van het gereedschap te handhaven, dienen alle reparaties, onderhoud en afstellingen te worden uitgevoerd door een erkend DOLMAR-servicecentrum, en altijd met gebruikmaking van originele DOLMAR-vervangingsonderdelen.

VERKRIJGBARE ACCESSOIRES

LET OP:

- Deze accessoires of hulpstukken worden aanbevolen voor gebruik met het Dolmar-gereedschap dat in deze gebruiksaanwijzing wordt beschreven. Het gebruik van andere accessoires of hulpstukken kan gevaar voor persoonlijk letsel opleveren. Gebruik de accessoires of hulpstukken uitsluitend voor de aangegeven gebruiksdoeleinden.

Mocht u meer informatie willen hebben over deze accessoires, dan kunt u contact opnemen met uw plaatselijke Dolmar-servicecentrum.

- Schede
- Messenbladen
- Diverse types originele Dolmar-accu's en -acculaders
- Accuadapter
- Armbandhaak (te gebruiken in combinatie met de accuadapter)
- Snoeiafvalgeleider

OPMERKING:

- Sommige items op de lijst kunnen zijn inbegrepen in de doos van het gereedschap als standaard toebehoren. Zij kunnen van land tot land verschillen.

Geluid

ENG905-1

De typische, A-gewogen geluidsniveaus zijn gemeten volgens EN60745:

Model AH-3655, AH-3656

Geluidsdrukniveau (L_{pA}): 85,1 dB (A)
Geluidsvermogeniveau (L_{WA}): 93,1 dB (A)
Onzekerheid (K): 2,5 dB (A)

Model AH-3665, AH-3666

Geluidsdrukniveau (L_{pA}): 84,3 dB (A)
Geluidsvermogeniveau (L_{WA}): 92,3 dB (A)
Onzekerheid (K): 2,5 dB (A)

Draag gehoorbescherming.

Trillingen

ENG900-1

De totale trillingswaarde (triaxiale vectorsom) zoals vastgesteld volgens EN60745:

Model AH-3655, AH-3656

Gebruikstoepassing: bevestigen met behulp van slagwerking van bevestigingsmiddelen tot de maximale capaciteit van het gereedschap
Trillingsemmissie (a_h): 2,5 m/s^2
Onzekerheid (K): 1,5 m/s^2

Model AH-3665, AH-3666

Gebruikstoepassing: bevestigen met behulp van slagwerking van bevestigingsmiddelen tot de maximale capaciteit van het gereedschap
Trillingsemmissie (a_h): 3,0 m/s^2
Onzekerheid (K): 1,5 m/s^2

ENG901-1

- De opgegeven trillingsemmissiewaarde is gemeten volgens de standaardtestmethode en kan worden gebruikt om dit gereedschap te vergelijken met andere gereedschappen.
- De opgegeven trillingsemmissiewaarde kan ook worden gebruikt voor een beoordeling vooraf van de blootstelling.

WAARSCHUWING:

- De trillingsemmissie tijdens het gebruik van het elektrische gereedschap in de praktijk kan verschillen van de opgegeven trillingsemmissiewaarde afhankelijk van de manier waarop het gereedschap wordt gebruikt.
- Zorg ervoor dat veiligheidsmaatregelen worden getroffen ter bescherming van de operator die zijn gebaseerd op een schatting van de blootstelling onder praktijkomstandigheden (rekening houdend met alle fasen van de bedrijfscyclus, zoals de tijdsduur gedurende welke het gereedschap is uitgeschakeld en stationair draait, naast de ingeschakelde tijdsduur).

Alleen voor Europese landen

ENH032-2

EU-verklaring van conformiteit

Ondergetekenden, Tamiro Kishima en Rainer Bergfeld, als erkende vertegenwoordigers van Dolmar GmbH, verklaren dat de DOLMAR-machine(s):

Aanduiding van de machine:

Accuheggschaar

Modelnr./Type: AH-3655, AH-3656, AH-3665, AH-3666

Technische gegevens: zie de tabel "TECHNISCHE GEGEVENS".

in serie zijn geproduceerd en

Voldoen aan de volgende Europese richtlijnen:

2000/14/EC en 2006/42/EC

En zijn gefabriceerd in overeenstemming met de volgende normen of genormaliseerde documenten: EN60745

De technische documentatie wordt bewaard door:

Dolmar GmbH,
Jenfelder Strasse 38, Abteilung FZ,
D-22045 Hamburg, Duitsland

De conformiteitsbeoordelingsprocedure vereist door Richtlijn 2000/14/EC was is Overeenstemming met annex V.

Model AH-3655, AH-3656

Gemeten geluidsvermogeniveau: 93,1 dB (A)
Gegarandeerd geluidsvermogeniveau: 94 dB (A)

Model AH-3665, AH-3666

Gemeten geluidsvermogeniveau: 92,4 dB (A)
Gegarandeerd geluidsvermogeniveau: 94 dB (A)

30. 11. 2009



Tamiro Kishima
Hoofddirecteur



Rainer Bergfeld
Hoofddirecteur

ESPAÑOL (Instrucciones originales)

Descripción y visión general

- | | | |
|---|---|--|
| 1. Pieza roja | 17. Soporte | 32. Ejercer presión sobre los ganchos en ambos lados |
| 2. Botón | 18. Cable de extensión (adaptador de batería) | 33. Desbloquee los ganchos |
| 3. Cartucho de la batería | 19. Adaptador (adaptador de batería) | 34. Cubierta de la cuchilla |
| 4. Alojamiento | 20. Dirección de corte | 35. Tornillos |
| 5. Pomo | 21. Superficie del seto que se desea cortar | 36. Cubierta inferior |
| 6. Asidero | 22. Incline las cuchillas | 37. Placa |
| 7. Interruptor disparador B | 23. Cuerda | 38. Cigüeñal |
| 8. Interruptor disparador A | 24. Pulse | 39. Orificio oval de la cuchilla de corte |
| 9. Dial de ajuste | 25. Receptor de virutas | 40. Marca de límite |
| 10. Luces indicadoras | 26. Tuerca | 41. Cubierta de la tapa del portaherramientas |
| 11. Botón de comprobación (CHECK) | 27. Cuchilla de corte | 42. Destornillador |
| 12. Adaptador | 28. Recogedor de ramas | 43. Tapa del portaescobillas |
| 13. Gancho | 29. Ganchos | |
| 14. Herramienta | 30. Encaje los ganchos en la ranura | |
| 15. Cinturón | 31. Ranuras | |
| 16. Banda del gancho de brazo para el cable | | |

ESPECIFICACIONES

Modelo	AH-3655	AH-3656	AH-3665	AH-3666
Longitud de la cuchilla	550 mm		650 mm	
Carreras por minuto (mín ⁻¹)	1.000 - 1.800		1.000 - 1.800	
Longitud total	1.070 mm	1.074 mm	1.150 mm	1.154 mm
Peso neto	5,1 kg		5,2 kg	
Tensión nominal	36 V CC		36 V CC	

- Debido a nuestro programa continuo de investigación y desarrollo, las especificaciones aquí descritas están sujetas a cambios sin previo aviso.
- Las especificaciones y el cartucho de la batería pueden variar de un país a otro.
- Peso, con el cartucho de la batería, de acuerdo con el procedimiento EPTA 01/2003

Símbolo

END013-2

una planta de reciclaje que cumpla con las exigencias ecológicas.

Se utilizan los siguientes símbolos para el equipo. Asegúrese de que comprende su significado antes del uso.



..... Lea el manual de instrucciones.



..... No lo exponga a la lluvia.



..... Sólo para países de la UE
¡No deseché el aparato eléctrico o la batería junto con los residuos domésticos!

De conformidad con la Directiva Europea 2002/96/CE sobre residuos de aparatos eléctricos y electrónicos, 2006/66/CE sobre baterías y acumuladores y el desecho de baterías y acumuladores y su aplicación de acuerdo con la legislación nacional, la herramienta eléctrica y la batería cuya vida útil hayan llegado a su fin se deberán recoger por separado y trasladar a

Uso previsto

ENE014-1

La herramienta está diseñada para cortar setos.

Advertencias de seguridad generales para herramientas eléctricas

GEA010-1

⚠ ADVERTENCIA Lea todas las advertencias de seguridad y todas las instrucciones. La no observancia de las advertencias y las instrucciones puede provocar descargas eléctricas, incendios y/o lesiones graves.

Guarde todas las advertencias e instrucciones para futuras consultas.

ADVERTENCIAS DE SEGURIDAD DEL CORTASETOS INALÁMBRICO

GEB062-3

1. Sujete la herramienta eléctrica solamente por las superficies de agarre aisladas, ya que la hoja de corte puede entrar en contacto con cables

- ocultos.** Si entra en contacto con un cable con corriente, puede que las piezas metálicas expuestas de la herramienta eléctrica se carguen también de corriente y que el operario reciba una descarga.
2. **Mantenga todas las partes del cuerpo alejadas de la cuchilla. No retire material cortado ni sujete el material que desea cortar cuando las cuchillas estén en movimiento. Asegúrese de que el interruptor esté apagado cuando despeje material atacado.** Un momento de distracción mientras maneja el cortasetos puede dar como resultado daños corporales graves.
 3. **Transporte el cortasetos por el asa con la cuchilla detenida. Cuando transporte o almacene el cortasetos, siempre debe colocar la cubierta del dispositivo de corte.** Un manejo correcto del cortasetos reducirá la posibilidad de lesiones personales causadas por las cuchillas.
 4. No utilice el cortasetos bajo la lluvia, donde haya agua o en condiciones de mucha humedad. El motor eléctrico no es a prueba de agua.
 5. Un usuario con experiencia en el uso del cortasetos debe mostrar a los usuarios noveles cómo utilizarlo.
 6. El cortasetos no debe ser utilizado por niños ni jóvenes menores de 18 años. Los jóvenes mayores de 16 años pueden quedar excluidos de esta restricción si reciben formación bajo la supervisión de un experto.
 7. Utilice el cortasetos solamente si se encuentra en buen estado físico. Si está cansado, su atención se verá reducida. Tenga especial cuidado al final de un día de trabajo. Realice todo el trabajo con calma y con cuidado. El usuario es responsable de todos los daños a terceros.
 8. No utilice nunca el cortasetos bajo la influencia de alcohol, drogas o medicamentos.
 9. Asegúrese de que el voltaje y la frecuencia de la fuente de alimentación coincidan con las especificaciones proporcionadas en la placa de identificación. Recomendamos el uso de un disyuntor de corriente residual (interruptor de circuito con pérdida a tierra) con una corriente de desconexión de 30 mA o menos, o un protector de corriente de pérdida a tierra.
 10. Los guantes de trabajo de piel gruesa son parte del equipo básico del cortasetos y siempre deben utilizarse cuando se trabaje con él. Utilice también calzados robustos con suelas antideslizamiento.
 11. Antes de empezar a trabajar, asegúrese de que el cortasetos esté en un estado de trabajo correcto y seguro. Asegúrese de que las protecciones se monten correctamente. No debe utilizarse el cortasetos si no está completamente ensamblado.
 12. Asegúrese de que mantiene una posición bien equilibrada antes de iniciar la operación.
 13. Sujete la herramienta firmemente cuando la utilice.
 14. No utilice la herramienta en vacío innecesariamente.
 15. Apague inmediatamente el motor y extraiga el cartucho de la batería si la cuchilla entra en contacto con una valla u otro objeto duro. Compruebe si hay daños en la cuchilla y, si está dañada, repárela inmediatamente.
 16. Antes de comprobar la cuchilla, arreglar desperfectos o retirar material atrapado en la cuchilla, siempre

debe apagar el cortasetos y extraer el cartucho de la batería.

17. Apague el cortasetos y retire el cartucho de la batería antes de realizar cualquier trabajo de mantenimiento.
18. Cuando mueva el cortasetos a otra ubicación, incluso durante el trabajo, extraiga siempre el cartucho de la batería y coloque la cubierta de la cuchilla sobre las cuchillas de corte. Nunca transporte el cortasetos con la cuchilla en funcionamiento. Nunca sujete la cuchilla con sus manos.
19. Limpie el cortasetos y especialmente la cuchilla tras su uso y antes de almacenar el cortasetos durante largos períodos de tiempo. Engrase ligeramente la cuchilla y coloque la cubierta. La cubierta proporcionada con la unidad se puede colgar en la pared, lo que resulta una forma práctica y segura de almacenar el cortasetos.
20. Guarde el cortasetos con la cubierta puesta, en una habitación seca. Manténgalo fuera del alcance de los niños. Nunca guarde el cortasetos a la intemperie.

GUARDE ESTAS INSTRUCCIONES.

ADVERTENCIA:

NO deje que la comodidad o la familiaridad con el producto (a base de utilizarlo repetidamente) sustituya la estricta observancia de las normas de seguridad del producto en cuestión. El MAL USO o la no observancia de las normas de seguridad expuestas en este manual de instrucciones pueden ocasionar graves daños corporales.

INSTRUCCIONES DE SEGURIDAD IMPORTANTES

ENC007-6

PARA EL CARTUCHO DE LA BATERÍA

1. **Antes de utilizar el cartucho de la batería, lea todas las instrucciones y referencias de precaución que se encuentran en (1) el cargador de baterías, (2) la batería y (3) el producto que utiliza la batería.**
2. **No desmonte el cartucho de la batería.**
3. **Si el tiempo de funcionamiento es excesivamente corto, deje de utilizar la herramienta de inmediato. De lo contrario, existe el riesgo de sobrecalentamiento, quemaduras e incluso explosión.**
4. **Si se produce contacto ocular con electrolito, enjuáguese los ojos con agua limpia y acuda de urgencia al médico. Corre el riesgo de perder la visión.**
5. **No cortocircuite el cartucho de la batería:**
 - (1) **No toque los terminales con material conductor.**
 - (2) **Evite guardar el cartucho de la batería en un recipiente con otros objetos metálicos, como clavos, monedas, etc.**
 - (3) **No exponga el cartucho de la batería al agua o a la lluvia.**

Un cortocircuito puede provocar un elevado flujo de corriente, sobrecalentamiento, quemaduras o incluso una avería.

6. No almacene la herramienta ni el cartucho de la batería en lugares donde la temperatura supere los 50°C (122°F).
7. No queme el cartucho de la batería aunque esté gravemente dañado o completamente gastado. El cartucho de la batería puede explotar si entra en contacto con fuego.
8. Procure que la batería no sufra golpes ni caídas.
9. No utilice una batería dañada.

GUARDE ESTAS INSTRUCCIONES.

Consejos para conseguir una mayor duración de la batería

1. Cargue la batería antes de que se descargue por completo. Cuando observe que la herramienta tiene menos potencia, deje de utilizarla y cargue el cartucho de la batería.
2. No recargue nunca un cartucho de batería completamente cargado. La sobrecarga acorta la vida útil de la batería.
3. Cargue el cartucho de la batería a una temperatura ambiente que oscile entre 10°C y 40°C (50°F - 104°F). Antes de cargar un cartucho de batería caliente, deje que se enfríe.

DESCRIPCIÓN DEL FUNCIONAMIENTO

⚠ PRECAUCIÓN:

- Antes de ajustar o de comprobar la herramienta, asegúrese siempre de que está apagada y de que la batería ha sido extraída.

Instalación o extracción del cartucho de la batería

⚠ PRECAUCIÓN:

- Sujete la herramienta y el cartucho de la batería firmemente cuando instale o extraiga el cartucho de la batería. Si no sujeta la herramienta y el cartucho de la batería firmemente, pueden resbalar de sus manos y pueden provocar daños en la herramienta y el cartucho de la batería y lesiones personales. (Fig. 1)
- Apague siempre la herramienta antes de insertar o extraer el cartucho de la batería.
- Para extraer el cartucho de la batería, quítelo de la herramienta al mismo tiempo que desliza el botón situado en la parte frontal del cartucho.
- Para insertar el cartucho de la batería, alinee la lengüeta situada en el cartucho de la batería con la ranura del alojamiento e insértelo. Insértelo completamente hasta que quede firmemente sujeta y se bloquee con un clic. Si puede ver la parte roja de la zona superior del botón, significa que el cartucho no está completamente bloqueado. Insértelo completamente hasta que la parte roja quede oculta. De lo contrario, el cartucho puede desprenderse

accidentalmente de la herramienta y causar lesiones al operario o a alguna persona que se encuentre cerca.

- No haga fuerza al insertar el cartucho de la batería. Si no se inserta suavemente, significa que no lo está instalando correctamente.

Posiciones de montaje del asidero (Fig. 2)

El asidero se puede girar 90° a la izquierda o a la derecha y se puede montar en una posición de 45° o 90° para que se ajuste a sus necesidades de trabajo. En primer lugar, tire del pomo y gire el asidero en el sentido de las agujas del reloj o en el sentido contrario a las agujas del reloj en la dirección de la flecha, como se muestra en la figura. El asidero se bloqueará en una posición de 45°. A continuación, tire del pomo y gire más. El asidero se bloqueará en una posición de 90°.

⚠ PRECAUCIÓN:

- Asegúrese siempre de que el asidero esté bloqueado en la posición deseada antes de utilizar la herramienta.

Acción del interruptor disparador

⚠ PRECAUCIÓN:

- Antes de insertar el cartucho de la batería en la herramienta, asegúrese siempre de que el interruptor disparador funciona como es debido y que vuelve a la posición "OFF" (apagado) al soltarlo. (Fig. 3)

Por su seguridad, esta herramienta está equipada con un sistema doble de interruptores. Para poner en marcha la herramienta, pulse los disparadores A y B. Suelte cualquiera de los dos para apagarla. La secuencia de pulsación de los interruptores no es importante, ya que la herramienta solamente se pone en marcha cuando se activan dos interruptores.

Cambio de velocidad (Fig. 4)

El número de golpes por minuto puede ajustarse girando el dial de regulación. Se puede hacer incluso mientras la herramienta está funcionando. El dial está marcado del 1 (velocidad mínima) al 6 (velocidad máxima).

Consulte la siguiente tabla para obtener información sobre la relación entre los números del dial y el número de golpes por minuto.

Número del dial de ajuste	Carreras por minuto (min ⁻¹)
6	1.800
5	1.750
4	1.650
3	1.500
2	1.300
1	1.000

⚠ PRECAUCIÓN:

- El dial de regulación de la velocidad puede girarse hasta 6 y de vuelta hasta 1 solamente. No lo fuerce más allá de 6 ó 1, o la función de ajuste de velocidad podrá dejar de funcionar.
- Los golpes por minuto pueden variar de acuerdo con las condiciones del cartucho de la batería y de las cuchillas de corte.

Sistema de protección de la batería








La herramienta está equipada con un sistema de protección que, automáticamente, corta la alimentación para prolongar su vida útil.

La herramienta puede detenerse durante el funcionamiento si la herramienta y/o la batería se someten al siguiente estado. Esto se debe a la activación del sistema de protección y no indica ningún problema de la herramienta.

- Cuando la herramienta está sobrecargada:
En ese caso, suelte el interruptor disparador y elimine las causas de la sobrecarga. A continuación, vuelva a accionar el interruptor disparador para volver a ponerla en marcha. Si la herramienta no funciona incluso después de tirar del interruptor disparador, la detención automática de la alimentación de la batería aún está activa. Cargue el cartucho de la batería antes de su uso.
- Cuando la capacidad restante de la batería sea baja:
Recargue el cartucho de la batería.

Indicador de capacidad restante de la batería (sólo para modelos con la batería AP-3622)

La batería AP-3622 cuenta con un indicador de capacidad restante de la batería. (Fig. 5)
Pulse el botón CHECK para mostrar la capacidad restante de la batería. Las luces indicadoras se encenderán durante aproximadamente tres segundos.

Luces indicadoras	Capacidad restante
 Iluminada Apagada Parpadeando	
 E F	70% a 100%
	45% a 70%
	20% a 45%
	0% a 20%
	Cargue la batería.
	Es posible que la batería tenga un funcionamiento anómalo.

- Cuando la luz indicadora inferior (al lado de "E") parpadee o cuando no se encienda ninguna luz indicadora, la capacidad de la batería se habrá agotado, por lo que la herramienta no funcionará. En esos casos, cargue la batería o sustituya la batería vacía con una totalmente cargada.
- Cuando dos o más luces indicadoras no se enciendan incluso después de completar la carga, la batería habrá alcanzado el fin de su vida útil.
- Cuando las dos luces indicadoras superiores se iluminen alternativamente, es posible que la batería tenga un funcionamiento anómalo. Póngase en contacto con su centro de servicio autorizado local de Dolmar.

NOTA:

- La capacidad indicada puede ser inferior al nivel real durante el uso o inmediatamente después de utilizar la herramienta.
- En función de las condiciones de uso y de la temperatura ambiente, la indicación puede diferir ligeramente de la capacidad real.

MONTAJE

⚠ PRECAUCIÓN:

- Asegúrese siempre de apagar la herramienta y extraer el cartucho de la batería antes de intentar realizar cualquier tipo de operación en la herramienta.

Adaptador de batería (accesorio) (Fig. 6 y 7)

⚠ PRECAUCIÓN:

- Antes de utilizar el adaptador de batería, lea todas las instrucciones de las herramientas que utilizan la batería.
- Cuando cargue un cartucho de batería, primero extráigalo del adaptador de batería y después cárguelo. No se permite cargar el cartucho de batería mientras se utiliza el adaptador de batería.

Instalación o extracción del adaptador de batería

- Apague siempre la herramienta antes de insertar o extraer el adaptador de batería.
- Para extraer el adaptador de batería, retirelo de la herramienta mientras desliza el botón del adaptador.
- Para insertar el adaptador de batería, alinee la lengüeta situada en el adaptador de batería con la ranura del alojamiento e insértela. Insértelo completamente hasta que quede firmemente sujeta y se bloquee con un clic. Si puede ver la parte roja de la zona superior del botón, significa que el cartucho no está completamente bloqueado. Insértelo completamente hasta que la parte roja quede oculta. De lo contrario, el cartucho puede desprenderse accidentalmente de la herramienta y causar lesiones al operario o a alguna persona que se encuentre cerca.
- No haga fuerza al insertar el adaptador de batería. Si no se inserta suavemente, significa que no lo está instalando correctamente.
- La forma de extraer el cartucho de la batería en el adaptador de batería o instalarlo en él es la misma que la de extraerlo o instalarlo en las herramientas.
- Ejercer presión sobre el gancho firmemente lo máximo posible cuando el adaptador de batería esté enganchado en un cinturón u objetos similares.

Gancho de brazo para el cable (accesorio)

⚠ PRECAUCIÓN:

- El soporte del gancho de brazo para el cable solamente se debe acoplar al cable de extensión. De lo contrario, pueden producirse heridas o un accidente.

El uso de un gancho de brazo para el cable ayuda a minimizar el riesgo de cortar el cable de extensión accidentalmente porque el cable de extensión esté flojo.

(Fig. 8)

Acople firmemente la banda del gancho de brazo para el cable alrededor de su brazo y pase el cable de extensión alrededor del soporte.

La longitud de la banda del gancho de brazo para el cable es ajustable.

NOTA:

- No pase el cable de extensión a través de la banda.
- No fuerce la abertura del soporte. En caso contrario puede provocar desviaciones y daños.

MANEJO

⚠ PRECAUCIÓN:

- Tenga cuidado de no entrar en contacto accidentalmente con una valla metálica u otros objetos duros mientras corta. La cuchilla puede romperse y causar lesiones graves.
- Intentar llegar demasiado lejos con un cortasetos, especialmente desde una escalera, es extremadamente peligroso. No trabaje desde ninguna superficie que se tambalee o no sea firme. (Fig. 9)

No intente cortar ramas de un grosor superior a 10 mm de diámetro con este cortasetos. Primero deben cortarse con cizallas hasta el nivel de corte de setos.

⚠ PRECAUCIÓN:

- No corte árboles muertos u objetos duros similares. De lo contrario, podría dañar la herramienta. (Fig. 10)
- Sujete el cortasetos con ambas manos, tire de los interruptores disparadores A y B y después muévalo por delante de su cuerpo. (Fig. 11)

Como operación de manejo básica, incline las cuchillas en la dirección de corte y mueva el cortasetos tranquilamente y suavemente a una velocidad de 3 - 4 segundos por metro. (Fig. 12)

Para cortar de forma uniforme la parte superior de un seto, resulta de ayuda atar un cordón a la altura deseada del seto y cortar a lo largo de él, usándolo como referencia. (Fig. 13)

Si se acopla el receptor de virutas (accesorio) en la herramienta cuando se corta el seto de forma recta, se puede evitar que las cuchillas salgan despedidas. (Fig. 14)

Gire el asidero para facilitar el manejo antes de la operación. Consulte la sección con el título "Posiciones de montaje del asidero".

Para cortar el lateral de un seto de forma uniforme, resulta útil cortar desde la parte inferior hacia arriba. (Fig. 15)

Corte madera de boj o rododendro desde la base hacia la parte superior para lograr un aspecto atractivo y un buen trabajo.

Instalación o extracción del receptor de virutas (accesorio)

⚠ PRECAUCIÓN:

- Asegúrese siempre de que la herramienta esté apagada y de que se haya extraído el cartucho de la batería antes de instalar o extraer el receptor de virutas.

NOTA:

- Siempre que reemplace el receptor de virutas, utilice guantes para que las manos y la cara no entren en

contacto con la cuchilla. De lo contrario, puede sufrir lesiones personales.

- Asegúrese siempre de que se haya retirado la cubierta de la cuchilla antes de instalar el receptor de virutas.
- El receptor de virutas recibe hojas cortadas y ayuda a recoger las hojas que salen despedidas. Puede instalarse en cualquier lado de la herramienta. (Fig. 16)

Ejerza presión sobre el receptor de virutas en las cuchillas de forma que sus hendiduras se solapen con las tuercas de las cuchillas. A continuación, asegúrese de que el receptor de virutas no entre en contacto con el recogedor de ramas en la parte superior de las cuchillas. (Fig. 17)

En este momento el receptor de virutas debe instalarse de forma que su gancho encaje en las ranuras de la unidad de cuchilla de corte. (Fig. 18)

Para extraer el receptor de virutas, pulse su palanca en ambos lados para que los ganchos se desbloqueen. (Fig. 19)

⚠ PRECAUCIÓN:

- La cuchilla (equipo estándar) no se puede instalar en la herramienta con el receptor de virutas instalado. Antes de transportar o almacenar la herramienta, desinstale el receptor de virutas e instale la cubierta de la cuchilla para evitar la exposición de la cuchilla.

NOTA:

- Compruebe si el receptor de virutas está correctamente instalado antes de su uso.
- Nunca intente desinstalar el receptor de virutas aplicando una fuerza excesiva sobre sus ganchos bloqueados en las ranuras de la unidad de la cuchilla. El uso de una fuerza excesiva puede dañarlo.

MANTENIMIENTO

⚠ PRECAUCIÓN:

- Asegúrese de apagar siempre la herramienta y extraer el cartucho de la batería antes de intentar realizar cualquier trabajo de inspección o mantenimiento en ella.

Limpieza de la herramienta

Limpie la herramienta eliminando la suciedad con un trapo húmedo o empapado en jabón.

⚠ PRECAUCIÓN:

- Nunca utilice gasolina, benceno, disolvente, alcohol o un producto similar. Se puede provocar una decoloración, una deformación o grietas.

Mantenimiento de la cuchilla

Engrase la cuchilla antes de su uso, y una vez por hora durante su uso, con aceite para máquina o un producto similar.

NOTA:

- Antes de engrasar la cuchilla, extraiga el receptor de virutas.

Tras su uso, elimine la suciedad de ambos lados de la cuchilla con un cepillo de alambre, límpiela con un trapo y después aplique suficiente aceite de baja viscosidad, como aceite para máquina, etc. y aceite lubricante en aerosol.

⚠ PRECAUCIÓN:

- No limpie las cuchillas con agua. En caso contrario se pueden provocar daños o herrumbre en la herramienta.

Extracción o instalación de la cuchilla

⚠ PRECAUCIÓN:

- Antes de extraer o instalar la cuchilla de corte, asegúrese siempre de que la herramienta esté apagada y que se haya extraído el cartucho de la batería.
- Siempre que reemplace la cuchilla, póngase guantes antes de extraer la cubierta de la cuchilla para que las manos y la cara no entren en contacto con la cuchilla. De lo contrario, puede sufrir lesiones personales.

NOTA:

- No limpie la grasa de los engranajes o del cigüeñal. De lo contrario, podría dañar la herramienta.
- Para obtener instrucciones para extraer e instalar las cuchillas consulte la parte posterior de un paquete de accesorios de cuchillas.

Extracción de las cuchillas

Dé la vuelta a la herramienta y afloje cuatro tornillos. (Fig. 20)

NOTA:

- Tenga cuidado de no ensuciarse las manos cuando aplique grasa en el área de empuje de la cuchilla.

Extraiga la cubierta inferior. (Fig. 21)

Extraiga la placa. (Fig. 22)

Ajuste el cigüeñal en el ángulo que se muestra en la figura con un destornillador de punta ranurada. (Fig. 23)
Extraiga dos tornillos de las cuchillas y podrá extraer la unidad de la cuchilla. (Fig. 24)

⚠ PRECAUCIÓN:

- Devuelva el engranaje a la posición original, de la misma forma en que estaba instalado, si se ha extraído por error.

Instalación de la cuchilla

Prepare los 4 tornillos extraídos (para la cubierta inferior), 2 tornillos (para la cuchilla), la placa, la cubierta inferior y nuevas cuchillas.

Ajuste la posición del engranaje como se muestra en la figura. A continuación, aplique parte de la grasa proporcionada con las nuevas cuchillas a la periferia del cigüeñal. (Fig. 25)

Solape el orificio oval de la cuchilla superior con el de la inferior. (Fig. 26)

Retire la cubierta de la cuchilla de las cuchillas antiguas y encájela en las nuevas para facilitar la sustitución de las cuchillas. (Fig. 27)

Coloque las nuevas cuchillas en la herramienta de forma que los orificios ovales de las cuchillas encajen en el cigüeñal. Solape los orificios de las cuchillas con los orificios para tornillos de la herramienta y, a continuación, fíjelos con dos tornillos. (Fig. 28)

Compruebe si el cigüeñal gira suavemente con un destornillador ranurado. (Fig. 29)

Instale la placa y la cubierta inferior en la herramienta. Apriete firmemente el tornillo.

NOTA:

- No hay ninguna diferencia entre la parte superior e inferior de la placa.

Extraiga la cubierta de la cuchilla y, a continuación, encienda la herramienta para comprobar si se mueve correctamente.

NOTA:

- Si las cuchillas no funcionan correctamente, el contacto entre las cuchillas y el cigüeñal es incorrecto. Vuelva a empezar desde el principio.

Reemplazo de las escobillas de carbón (Fig. 30)

Extraiga y compruebe periódicamente las escobillas de carbón. Cámbielas cuando el desgaste alcance la marca de límite. Mantenga las escobillas de carbón limpias y de forma que entren libremente en el portaescobillas. Ambas escobillas de carbón deberán ser sustituidas al mismo tiempo. Utilice únicamente escobillas de carbón idénticas. (Fig. 31)

Inserte el extremo superior del destornillador de punta plana en la muesca de la herramienta y extraiga la cubierta de la tapa del portaherramientas tirando hacia arriba de ella. (Fig. 32)

Utilice un destornillador para extraer las tapas de los portaescobillas. Extraiga las escobillas de carbón gastadas, inserte las nuevas y vuelva a fijar los tapones portaescobillas.

Vuelva a colocar la tapa del portaherramientas en la herramienta.

Almacenamiento

El orificio para el gancho de la parte inferior de la cubierta de la cuchilla es útil para colgar la herramienta de un clavo o un tornillo en la pared. (Fig. 33)

Extraiga el cartucho de la batería y coloque la cubierta de la cuchilla en las cuchillas para que no queden expuestas. Guarde la herramienta con cuidado fuera del alcance de los niños.

Guarde la herramienta en un lugar que no esté expuesto al agua y la lluvia. Para mantener la SEGURIDAD y la FIABILIDAD del producto, las reparaciones y cualquier otra tarea de mantenimiento o ajuste deberán ser realizadas en centros de servicio autorizados por DOLMAR, utilizando siempre repuestos DOLMAR.

ACCESORIOS OPCIONALES

⚠ PRECAUCIÓN:

- Se recomienda el uso de estos accesorios o complementos con la herramienta Dolmar especificada en este manual. El uso de otros accesorios o complementos puede conllevar el riesgo de ocasionar daños corporales. Utilice los accesorios o complementos solamente para su fin establecido.

Si necesita cualquier ayuda para obtener más información relativa a estos accesorios, pregunte a su centro de servicio Dolmar local.

- Cubierta de la cuchilla
- Ensamblado de cuchilla
- Diversos tipos de baterías y cargadores originales de Dolmar
- Adaptador de batería

- Gancho para el cable de brazo (se debe utilizar conjuntamente con el adaptador de batería)
- Receptor de virutas

NOTA:

- Algunos elementos de la lista se pueden incluir en el paquete de la herramienta como accesorios estándar. Pueden ser diferentes de un país a otro.

Ruido

ENG905-1

Niveles típicos de ruido ponderado A determinados conforme a EN60745:

Modelo AH-3655, AH-3656

Nivel de presión de sonido (L_{pA}): 85,1 dB (A)
 Nivel de potencia de sonido (L_{WA}): 93,1 dB (A)
 Incertidumbre (K): 2,5 dB (A)

Modelo AH-3665, AH-3666

Nivel de presión de sonido (L_{pA}): 84,3 dB (A)
 Nivel de potencia de sonido (L_{WA}): 92,3 dB (A)
 Incertidumbre (K): 2,5 dB (A)

Utilice protección para los oídos.**Vibración**

ENG900-1

Valor total de la vibración (suma de vectores triaxiales) determinado según el estándar EN60745:

Modelo AH-3655, AH-3656

Modo de trabajo: apriete por impacto de tornillos de la máxima capacidad de la herramienta
 Emisión de vibraciones (a_h): 2,5 m/s²
 Incertidumbre (K): 1,5 m/s²

Modelo AH-3665, AH-3666

Modo de trabajo: apriete por impacto de tornillos de la máxima capacidad de la herramienta
 Emisión de vibraciones (a_h): 3,0 m/s²
 Incertidumbre (K): 1,5 m/s²

ENG901-1

- El valor de emisión de vibraciones se ha medido de acuerdo con el método de prueba estándar y se puede utilizar para comparar herramientas.
- El valor de emisión de vibraciones declarado también se puede usar en una evaluación preliminar de la exposición.

⚠️ ADVERTENCIA:

- La emisión de vibraciones durante el uso de la herramienta eléctrica puede diferir del valor de emisiones declarado, dependiendo de las formas en que se utiliza la herramienta.
- Asegúrese de identificar las mediciones correctas para proteger al operario, que se basan en una estimación de la exposición en condiciones de uso reales (teniendo en cuenta todas las partes del ciclo de operaciones, como los momentos en los que la herramienta está apagada y cuando funciona al ralentí además del tiempo en que está activado el interruptor).

Sólo para países europeos

Declaración de conformidad de la CE
Los abajo firmantes, Tamiro Kishima y Rainer Bergfeld, debidamente autorizados por Dolmar GmbH, declaran que la(s) máquina(s) DOLMAR:

Designación de la máquina:

Cortasetos Inalámbrico

Nº de modelo/ Tipo: AH-3655, AH-3656, AH-3665, AH-3666

Especificaciones: consulte la tabla

“ESPECIFICACIONES”.

son de producción serie y

Cumplen con las siguientes Directivas europeas:

2000/14/CE, 2006/42/CE

Y se han fabricado de acuerdo con los siguientes estándares o documentos estandarizados:

EN60745

La documentación técnica está depositada en:

Dolmar GmbH,
 Jenfelder Strase 38, Abteilung FZ,
 D-22045 Hamburgo

El procedimiento de evaluación de conformidad requerido por la Directiva 2000/14/CE se realizó de acuerdo con el anexo V.

Modelo AH-3655, AH-3656

Nivel de potencia sonora medido: 93,1 dB (A)

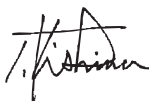
Nivel de potencia sonora garantizado: 94 dB (A)

Modelo AH-3665, AH-3666

Nivel de potencia sonora medido: 92,4 dB (A)

Nivel de potencia sonora garantizado: 94 dB (A)

30. 11. 2009



Tamiro Kishima
 Director gerente



Rainer Bergfeld
 Director gerente

PORTUGUÊS (Instruções de origem)

Descrição geral

- | | | |
|--------------------------------------|---|--|
| 1. Peça vermelha | 17. Suporte | 32. Pressione os ganchos em ambos os lados |
| 2. Botão | 18. Cabo de extensão (Adaptador de bateria) | 33. Desbloqueie os ganchos |
| 3. Bateria | 19. Adaptador (Adaptador de bateria) | 34. Cobertura da lâmina |
| 4. Compartimento | 20. Direcção da aparagem | 35. Parafusos |
| 5. Manípulo | 21. Superfície da cerca viva a aparar | 36. Sob a cobertura |
| 6. Pega | 22. Incline as lâminas. | 37. Placa |
| 7. Gatilho B | 23. Fio | 38. Manivela |
| 8. Gatilho A | 24. Prima | 39. Orifício oval da lâmina da tesoura |
| 9. Manípulo de ajuste | 25. Apanha- aparas | 40. Marca limite |
| 10. Lâmpadas indicadoras | 26. Porca | 41. Cobertura da tampa do porta-escovas |
| 11. Botão CHECK | 27. Lâmina da tesoura | 42. Chave de parafusos |
| 12. Adaptador | 28. Dispositivo receptor de ramos | 43. Tampa do porta-escovas |
| 13. Gancho | 29. Ganchos | |
| 14. Ferramenta | 30. Instale os ganchos na ranhura | |
| 15. Correia | 31. Ranhuras | |
| 16. Banda de gancho do cabo do braço | | |

ESPECIFICAÇÕES

Modelo	AH-3655	AH-3656	AH-3665	AH-3666
Comprimento da lâmina	550 mm		650 mm	
Cortes por minuto (min ⁻¹)	1.000 - 1.800		1.000 - 1.800	
Comprimento total	1.070 mm	1.074 mm	1.150 mm	1.154 mm
Peso líquido	5,1 kg		5,2 kg	
Voltagem nominal	C.C.36V		C.C.36V	

- Devido à pesquisa e desenvolvimento constantes, estas especificações estão sujeitas a alteração sem aviso prévio.
- As especificações e o cartucho da bateria podem ser diferentes consoante o país.
- Peso, com a bateria, de acordo com o procedimento EPTA de 01/2003

Símbolo

END013-2

Descrição dos símbolos utilizados no equipamento.

Certifique-se de que compreende o seu significado, antes da utilização.



..... Leia o manual de instruções.



..... Não exponha a extensão à chuva.



..... Apenas para países da UE
Não deite equipamentos eléctricos ou a bateria no lixo doméstico!
De acordo com a directiva europeia 2002/96/EC sobre ferramentas eléctricas e electrónicas usadas, a directiva 2006/66/EC sobre baterias, acumuladores e baterias usadas e a sua aplicação para as leis nacionais, as ferramentas eléctricas e as baterias usadas devem ser recolhidas em separado e encaminhadas a uma instalação de reciclagem dos materiais ecológicos.

Utilização prevista

ENE014-1

A ferramenta destina-se a aparar cerca vivas.

Avisos gerais de segurança para ferramentas eléctricas

GEA010-1

⚠ AVISO Leia todos os avisos de segurança e todas as instruções. O não cumprimento dos avisos e instruções pode resultar na ocorrência de choques eléctricos, incêndios e/ou ferimentos graves.

Guarde todos os avisos e instruções para referência futura.

AVISOS DE SEGURANÇA DO APARADOR DE CERCÁ VIVA A BATERIA

GEB062-3

1. **Apenas segure na ferramenta eléctrica pelas superfícies de pega isoladas, porque a lâmina de corte pode tocar em cabos eléctricos escondidos.** As lâminas de corte em contacto com um fio eléctrico ligado à corrente podem electrificar as peças de metal da ferramenta e provocar um choque.
2. **Mantenha todas as partes do corpo longe da lâmina cortante. Não retire material de corte nem pegue no material a cortar quando as lâminas estiverem em funcionamento.** Certifique-se de que o interruptor está desligado quando retirar o material encravado. Um momento de desatenção

enquanto utilizar o aparador de sebes poderá resultar em ferimentos pessoais graves.

3. **Transporte o aparador de sebes pela pega com a lâmina cortante parada. Ao transportar ou armazenar o aparador de cerca viva, instale sempre a tampa do dispositivo de corte.** Um manuseamento adequado do aparador de cerca viva reduzirá possíveis ferimentos pessoais provocados pelas lâminas cortantes.
4. Não utilize o aparador de sebes na chuva ou em condições molhadas ou muito húmidas. O motor eléctrico não é à prova de água.
5. As pessoas que estejam a utilizar este aparelho pela primeira vez devem pedir a um aparador de sebes com experiência para lhes mostrar como usar o aparador.
6. O aparador de sebes não deve ser utilizado por crianças ou jovens com menos de 18 anos. Os jovens com mais de 16 anos podem estar isentos desta restrição se estiverem a receber formação sob a supervisão de um perito.
7. Use o aparador de sebes apenas se estiver em boas condições físicas. Se estiver cansado, a sua atenção será reduzida. Tenha especial atenção no fim de um dia de trabalho. Efectue todos os trabalhos com calma e cuidado. O utilizador é responsável por todos os danos a terceiros.
8. Nunca use o aparador sob a influência do álcool, drogas ou medicamentos.
9. Certifique-se de que a tensão e frequência da alimentação correspondem às especificações fornecidas na placa de identificação. Recomendamos que utilize um disjuntor alimentado a corrente residual (corta-circuito em caso de falha na terra) com uma corrente de desligar de 30 mA ou menos, ou um protector de corrente de fuga à terra.
10. Luvas de trabalho de pele fazem parte do equipamento básico do aparador de sebes e devem ser sempre usadas quando o operar. Use também sapatos resistentes com solas anti-derrapantes.
11. Antes de começar a trabalhar, certifique-se de que o aparador está em condições de funcionamento boas e seguras. Certifique-se de que as guardas estão devidamente instaladas. O aparador de sebes não deve ser usado a menos que esteja devidamente montado.
12. Certifique-se de que está bem equilibrado antes de iniciar a operação.
13. Mantenha a ferramenta segura quando usar a ferramenta.
14. Não utilize a ferramenta sem carga, sem ser necessário.
15. Desligue imediatamente o motor e retire a bateria se o cortador entrar em contacto com uma vedação ou outros objectos duros. Verifique a lâmina cortante e, se estiver danificada, repare-a imediatamente.
16. Antes de verificar a lâmina cortante, reparar avarias ou retirar material preso na lâmina, desligue sempre o aparador e retire a bateria.
17. Desligue o aparador e retire a bateria antes de efectuar qualquer trabalho de manutenção.
18. Quando mover o aparador de sebes para outro local, incluindo durante o trabalho, retire sempre o cartucho da bateria e coloque a tampa da lâmina sobre as

lâminas de corte. Nunca transporte o aparador com a lâmina de corte em funcionamento. Nunca agarre a lâmina cortante com as suas mãos.

19. Limpe o aparador de sebes e especialmente a lâmina cortante após a utilização, e antes de colocar o aparador em armazenamento durante períodos alargados. Lubrifique ligeiramente a lâmina de corte e coloque a cobertura. A cobertura fornecida com a unidade pode ser pendurada na parede, fornecendo uma forma prática de guardar o aparador de sebes.
20. Guarde o aparador de sebes com a cobertura colocada, num local seco. Mantenha-o fora do alcance de crianças. Nunca guarde o aparador no exterior.

GUARDE ESTAS INSTRUÇÕES.

⚠ AVISO:

NÃO deixe que o conforto ou a familiaridade com o produto (adquirida de uma utilização frequente) substitua o respeito total pelas regras de segurança para utilização do produto. A UTILIZAÇÃO INCORRECTA ou o não cumprimento das regras de segurança fornecidas neste manual de instruções podem provocar ferimentos graves.

INSTRUÇÕES DE SEGURANÇA IMPORTANTES

ENC007-6

RELATIVAS À BATERIA

1. **Antes de utilizar a bateria, leia as instruções e chamadas de atenção de: (1) o carregador da bateria, (2) a bateria e (3) o produto que utiliza a bateria.**
2. **Não desmonte a bateria.**
3. **Se o tempo de utilização com a bateria se tornar demasiado curto, deve parar imediatamente. Se continuar, pode causar sobreaquecimento, incêndio e mesmo explosão.**
4. **Se o electrólito entrar em contacto com os olhos, enxágue-os com água limpa e consulte imediatamente um médico. Os riscos incluem perda de visão.**
5. **Não provoque um curto-circuito na bateria:**
 - (1) **Não deixe que quaisquer materiais condutores entrem em contacto com os terminais da bateria.**
 - (2) **Evite guardar a bateria juntamente com outros objectos de metal como moedas, por exemplo.**
 - (3) **Não exponha a bateria a água ou chuva. Um curto-circuito na bateria pode criar uma grande carga eléctrica, sobreaquecimento, fogo e uma quebra da corrente.**
6. **Não guarde a ferramenta e a bateria em locais onde a temperatura possa atingir ou exceder 50°C (122°F).**
7. **Não incinere a bateria, nem mesmo se esta estiver irremediavelmente danificada ou completamente gasta. Pode explodir e causar um incêndio.**
8. **Não a deixe cair e evite o choque com outros objectos.**
9. **Não utilize uma bateria danificada.**

GUARDE ESTAS INSTRUÇÕES.

Sugestões para o máximo de tempo de vida da bateria

1. **Não espere que a bateria se gaste completamente para voltar a carregá-la.**
Pare a ferramenta e carregue a bateria sempre que detectar um baixo nível de energia.
2. **Nunca volte a carregar uma bateria já completamente carregada.**
O carregamento excessivo diminui o tempo de vida das baterias.
3. **Carregue a bateria em locais onde a temperatura se situe entre 10°C e 40°C (50°F - 104°F).** Se a bateria estiver quente, deixe-a arrefecer antes de iniciar o carregamento.

DESCRIÇÃO DO FUNCIONAMENTO

⚠️ PRECAUÇÃO:

- Certifique-se sempre de que a ferramenta está desligada e que a bateria foi removida antes de proceder a ajustes ou testar acessórios.

Instalar ou retirar a bateria

⚠️ PRECAUÇÃO:

- **Segure bem a ferramenta e a bateria quando instalar ou retirar a bateria.** Se não segurar bem a ferramenta e a bateria, pode fazer com que caiam das mãos e provoquem danos na ferramenta e na bateria ferimentos pessoais. (Fig. 1)
- Sempre que for inserir ou retirar a bateria, desligue a ferramenta.
- Para retirar a bateria, puxe-a para fora ao mesmo tempo que desliza o botão localizado na parte frontal.
- Para inserir a bateria, alinhe a respectiva saliência com a calha do compartimento e encaixe-a suavemente. Insira-a completamente até fixar em posição com um clique. Se ainda estiver visível a peça vermelha na parte superior do botão, não estará bem encaixada. Insira-a completamente, até deixar de ver a peça vermelha. Caso contrário, pode cair da ferramenta e causar ferimentos em si, ou em alguém que esteja perto de si.
- Não exerça força ao inserir a bateria. Se não encaixar facilmente é porque não está correctamente posicionada.

Posições de montagem da pega (Fig. 2)

A pega pode ser rodada 90° para a esquerda ou para a direita e montada numa posição a 45° ou 90°, conforme as suas necessidades. Primeiro, puxe o manípulo e rode a pega para a direita ou para a esquerda na direcção da seta, como mostrado na figura. A pega será bloqueada na posição de 45°. De seguida, puxe o manípulo e rode mais. A pega será bloqueada na posição de 90°.

⚠️ PRECAUÇÃO:

- Certifique-se sempre de que a pega está bloqueada na posição pretendida, antes de utilizar.

Acção do interruptor

⚠️ PRECAUÇÃO:

- Antes de inserir a pilha na ferramenta, verifique se o gatilho está a funcionar correctamente e se regressa à posição "OFF" quando o solta. (Fig. 3)

Para sua segurança, esta ferramenta está equipada com um sistema de ligação duplo. Para ligar a ferramenta, pressione os gatilhos A e B. Solte um dos dois gatilhos pressionados para desligar. A sequência da ligação não é importante porque a ferramenta arranca apenas quando ambos os interruptores estiverem activados.

Alteração da velocidade (Fig. 4)

Os cortes por minuto podem ser ajustados rodando o manípulo de ajuste. Isto pode ser feito mesmo com a ferramenta em funcionamento. O manípulo está marcado de 1 (velocidade mínima) a 6 (velocidade máxima). Consulte a tabela em baixo para a verificar a relação entre a definição dos números no manípulo de regulação e os cortes por minuto.

Número no manípulo de ajuste	Cortes por minuto (mín ⁻¹)
6	1.800
5	1.750
4	1.650
3	1.500
2	1.300
1	1.000

⚠️ PRECAUÇÃO:

- O manípulo de regulação da velocidade apenas pode ser rodado até 6 ou 1. Não o force para lá de 6 ou 1, caso contrário a função de regulação da velocidade poderá deixar de funcionar.
- Os cortes por minuto variam consoante as condições da bateria e das lâminas da tesoura.

Sistema de protecção da bateria






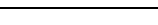

A ferramenta está equipada com um sistema de protecção, que desliga automaticamente a alimentação, aumentando a vida útil.

A ferramenta pode parar durante o funcionamento quando a ferramenta e/ou bateria são colocados sob as situações seguintes. Tal é causado pela activação do sistema de protecção e não constitui uma avaria da ferramenta.

- Quando a ferramenta estiver sobrecarregada:
Solte o gatilho e elimine a origem da sobrecarga e puxe novamente o gatilho para reiniciar. Se a ferramenta não funcionar, mesmo depois de puxar o gatilho, tal significa que a desactivação automática continua em funcionamento. Carregue a bateria antes de utilizar.
- Quando a capacidade restante da bateria ficar fraca:
Recarregue a bateria.

Indicador da capacidade restante da bateria (apenas para os modelos com a bateria AP-3622)

A bateria AP-3622 está equipada com o indicador de capacidade restante da bateria. (Fig. 5)
Prima o botão CHECK para indicar a capacidade restante da bateria. As lâmpadas indicadoras acendem-se durante cerca de três segundos.

Lâmpadas indicadoras	Capacidade restante
	
E  F	70% a 100%
	45% a 70%
	20% a 45%
	0% a 20%
	Carregue a bateria.
	A bateria pode ter avariado.

- Quando apenas a lâmpada indicadora inferior do termóstato (ao lado de "E") fica intermitente, ou quando nenhuma das lâmpadas indicadoras está acesa, a capacidade da bateria esgotou-se, pelo que a ferramenta não funciona. Nestes casos, carregue a bateria ou substitua a bateria vazia por uma completamente carregada.
- Quando duas ou mais lâmpadas indicadoras não se acenderem, mesmo depois de concluir o carregamento, isso significa que a bateria atingiu o fim da vida de serviço útil.
- Quando as duas luzes indicadoras superiores e inferiores se acendem alternadamente, a bateria pode estar avariada. Contacte um centro de assistência autorizado da Dolmar.

NOTA:

- A capacidade indicada pode ser inferior ao nível real durante a utilização ou imediatamente após utilizar a ferramenta.
- Consoante as condições de utilização e a temperatura ambiente, a indicação pode ser ligeiramente diferente da capacidade actual.

MONTAGEM

⚠ PRECAUÇÃO:

- Certifique-se sempre de que a ferramenta está desligada e a bateria removida, antes de efectuar qualquer operação na ferramenta.

Adaptador de bateria (Acessório) (Fig. 6 e 7)

⚠ PRECAUÇÃO:

- Antes de utilizar o adaptador de bateria, leia todas as instruções das ferramentas a bateria.

- Ao carregar uma bateria, retire-a primeiro do adaptador de bateria e, de seguida, carregue-a. Não pode carregar a bateria enquanto utiliza o adaptador de bateria.

Instalar ou retirar o adaptador de bateria

- Sempre que for inserir ou retirar o adaptador de bateria, desligue a ferramenta.
- Para retirar o adaptador de bateria, puxe-o para fora ao mesmo tempo que desliza o botão localizado no adaptador.
- Para inserir o adaptador de bateria, alinhe a respectiva saliência com a calha do compartimento e encaixe-a suavemente. Insira-a completamente até fixar em posição com um clique. Se ainda estiver visível a peça vermelha na parte superior do botão, não estará bem encaixada. Insira-a completamente, até deixar de ver a peça vermelha. Caso contrário, pode cair da ferramenta e causar ferimentos em si, ou em alguém que esteja perto de si.
- Não exerça força ao inserir o adaptador de bateria. Se não encaixar facilmente é porque não está correctamente posicionado.
- A forma de retirar ou instalar uma bateria do ou no adaptador de bateria é igual à forma de retirar ou instalar uma bateria das ou nas ferramentas.
- Pressione bem o gancho ao máximo quando o adaptador de bateria está engatado no cinto e objectos semelhantes.

Gancho do cabo do braço (Acessório)

⚠ PRECAUÇÃO:

- Não fixe o suporte do gancho do cabo do braço a mais nada que não o cabo de extensão. Caso contrário, poderá causar um acidente e ferimentos.

Usar o gancho do cabo de braço ajuda a minimizar o risco de corte do cabo de extensão inesperadamente provocado pelo cabo de extensão solto. (Fig. 8)

Fixe com força a banda de gancho do cabo do braço colocando à volta do seu braço e passe o cabo de extensão pelo suporte.

O comprimento da banda de gancho do cabo do braço é ajustável.

NOTA:

- Não passe o cabo de extensão pela banda.
- Não force a abertura do suporte. Caso contrário, poderá provocar uma deflexão e danos.

FUNCIONAMENTO

⚠ PRECAUÇÃO:

- Tenha cuidado para não entrar em contacto, acidentalmente, com uma vedação de metal ou outros objectos duros ao aparar. A lâmina quebrará e poderá causar ferimentos graves.
- Estender-se com um aparador de cerca vivas, especialmente de uma escada, é muito perigoso. Não trabalhe em cima de superfícies instáveis ou desequilibradas. (Fig. 9)

Não tente cortar ramos com um diâmetro superior a 10 mm com este aparador. Estas devem ser cortadas primeiro com tesouras para o nível de aparagem da cerca viva.

⚠️ PRECAUÇÃO:

- Não corte árvores mortas ou objectos duros semelhantes. Caso contrário poderá danificar a ferramenta. (Fig. 10)

Segure o aparador com ambas as mãos e pressione o gatilho A ou B e, de seguida, mova-o para a frente do seu corpo. (Fig. 11)

Como operação básica, incline as lâminas para a direcção da aparagem e mova-as calma e lentamente a uma velocidade de 3 - 4 segundos por metro. (Fig. 12)

Para cortar o topo de uma sebe de igual forma, ajuda se atar um fio à altura da cerca viva desejada e se aparar ao longo dele, usando-o como linha de referência. (Fig. 13)

Prender o apanha- aparas (acessório) na ferramenta quando aparar a cerca viva a direito pode evitar que folhas cortadas sejam deitadas fora. (Fig. 14)

Rode a pega para um manuseamento fácil antes da utilização. Consulte a secção intitulada "Posição de montagem da pega".

Para cortar um lado da cerca viva de forma igual, ajuda cortar do fundo para o topo. (Fig. 15)

Apare o buxo e rododendro da base para o topo para um aspecto agradável e um bom trabalho.

Instalar ou remover o apanha- aparas (acessório)

⚠️ PRECAUÇÃO:

- Certifique-se sempre de que a ferramenta está desligada e a bateria removida antes de instalar ou retirar o apanha- aparas.

NOTA:

- Ao substituir o apanha- aparas, use sempre luvas para que as mãos e face não entrem em contacto directo com a lâmina. Caso contrário, poderá causar ferimentos.
- Certifique-se de que retira a cobertura da lâmina antes de instalar o coletor de aparas.
- O apanha- aparas recebe as folhas cortadas e alivia a recolha das folhas deitadas fora. Pode ser instalado de qualquer dos lados. (Fig. 16)

Pressione o apanha- aparas para as lâminas da tesoura para que as suas fendas se sobreponham às porcas nas lâminas da tesoura. A esta altura, certifique-se de que o apanha- aparas não entra em contacto com o dispositivo apanha- ramos no topo das lâminas da tesoura. (Fig. 17)

A este ponto, o apanha- aparas necessita de ser instalado de modo a que os seus ganchos encaixem nas ranhuras na lâmina da tesoura. (Fig. 18)

Para retirar o apanha- aparas, pressione a alavanca em ambos os lados de modo a desbloquear os ganchos. (Fig. 19)

⚠️ PRECAUÇÃO:

- A cobertura da lâmina (equipamento standard) não pode ser instalada na ferramenta com o apanha- aparas a ser instalado. Antes de transportar ou armazenar, desinstale o apanha- aparas e instale a cobertura da lâmina para evitar a exposição da lâmina.

NOTA:

- Verifique o apanha- aparas para uma instalação segura antes da utilização.
- Nunca tente desinstalar o apanha- aparas através de força excessiva com os seus ganchos bloqueados nas

ranhuras da unidade da lâmina. Se usar força excessiva poderá danificá-la.

MANUTENÇÃO

⚠️ PRECAUÇÃO:

- Certifique-se sempre de que a ferramenta está desligada e a bateria removida antes de efectuar operações de inspecção ou de manutenção.

Limpar a ferramenta

Limpe a ferramenta retirando o pó com um pano seco ou embebido em sabão.

⚠️ PRECAUÇÃO:

- Nunca utilize gasolina, benzina, diluente, álcool ou semelhante. Podem formar-se descolorações, deformações ou fissuras.

Manutenção da lâmina

Unte a lâmina antes e uma vez por hora durante a operação usando óleo da máquina ou semelhantes.

NOTA:

- Antes de untar a lâmina, retire o apanha- aparas. Depois do funcionamento, retire o pó de ambos os lados com uma escova de arame, limpe-a com um pano e depois aplique óleo de viscosidade baixa como óleo da máquina etc e óleo lubrificante do tipo spray.

⚠️ PRECAUÇÃO:

- Não lave as lâminas com água. Se o fizer, a ferramenta poderá ficar enferrujada ou danificada.

Remover ou instalar a lâmina da tesoura

⚠️ PRECAUÇÃO:

- Antes de retirar ou instalar a lâmina da tesoura, certifique-se sempre de que a ferramenta está desligada e a bateria removida.
- Ao substituir a lâmina da tesoura, use sempre luvas sem remover a tampa da lâmina para que as mãos e face não entrem em contacto directo com a lâmina. Caso contrário, poderá causar ferimentos.

NOTA:

- Não limpe a gordura da engrenagem e da manivela. Caso contrário poderá danificar a ferramenta.
- Para uma forma específica de remover e instalar lâminas da tesoura, consulte o inverso de uma embalagem para lâminas da tesoura de acessório.

Remover as lâminas da tesoura

Inverta a ferramenta e desaperte quatro parafusos. (Fig. 20)

NOTA:

- Tenha cuidado para não sujar as suas mãos porque é aplicada gordura na área de condução da lâmina da tesoura.

Retire a cobertura de baixo. (Fig. 21)

Remova a placa. (Fig. 22)

Defina a manivela no ângulo conforme ilustrado na figura com uma chave de fendas com ponta ranhurada. (Fig. 23)

Retire dois parafusos das lâminas da tesoura e a unidade da lâmina da tesoura será retirada. (Fig. 24)

PRECAUÇÃO:

- Reponha a engrenagem na posição inicial, tal como estava instalada, caso seja retirada por engano.

Instalar a lâmina da tesoura

Prepare 4 parafusos removidos (Para a tampa de baixo), 2 parafusos (Para a lâmina da tesoura), placa, tampa de baixo e novas lâminas da tesoura.

Ajuste a posição da manivela conforme ilustrado na figura. Neste ponto, aplique alguma gordura fornecida com novas lâminas da tesoura para a periferia da manivela. (Fig. 25)

Sobreponha o orifício oval na lâmina superior ao da inferior. (Fig. 26)

Retire a cobertura da lâmina das lâminas da tesoura antigas e instale-a nas novas para um fácil manuseamento durante a substituição das lâminas. (Fig. 27)

Coloque as novas lâminas da tesoura na ferramenta para que os orifícios ovais nas lâminas da tesoura se instalem na manivela. Sobreponha os orifícios nas lâminas da tesoura com as rosas interiores na ferramenta e depois fixe-os com dois parafusos. (Fig. 28)

Verifique se a manivela roda bem com uma chave de fendas com ponta ranhurada. (Fig. 29)

Instale a placa, tampa de baixo na ferramenta. Aperte o parafuso com força.

NOTA:

- Não há distinção entre a parte superior e inferior da placa.

Retire a tampa da lâmina e depois ligue a ferramenta para verificar se funciona devidamente.

NOTA:

- Quando as lâminas da tesoura não funcionam devidamente, a instalação entre as lâminas e a manivela é fraca. Volte a fazer do início.

Substituir as escovas de carvão (Fig. 30)

Remova e verifique regularmente as escovas de carvão. Substitua-as quando o desgaste atingir a marca limite.

Mantenha-as limpas para poderem deslizar no porta-escovas. Substitua as duas ao mesmo tempo. Utilize unicamente escovas de carvão idênticas. (Fig. 31)

Insira a ponta de uma chave de parafusos fendada no entalhe da ferramenta e retire a cobertura da tampa do porta-escovas, levantando-a. (Fig. 32)

Utilize uma chave de parafusos para remover as tampas do porta-escovas. Retire as escovas usadas, coloque umas novas e fixe as tampas do porta-escovas.

Volte a instalar a cobertura da tampa do porta-escovas na ferramenta.

Armazenamento

O orifício do gancho no fundo da cobertura da lâmina é conveniente para pendurar a ferramenta num prego ou parafuso na parede. (Fig. 33)

Retire a bateria e coloque a cobertura da lâmina nas lâminas da tesoura para que as lâminas não fiquem expostas. Mantenha a ferramenta fora do alcance das crianças, com cuidado.

Guarde a ferramenta num local que não esteja exposto a água e chuva. Para manter os níveis de SEGURANÇA e FIABILIDADE definidos para este produto, as reparações

e os procedimentos de manutenção ou ajustes devem ser executados por centros de assistência DOLMAR autorizados, utilizando sempre peças de substituição DOLMAR.

ACESSÓRIOS OPCIONAIS

PRECAUÇÃO:

- Os seguintes acessórios ou extensões são os recomendados para utilizar com a ferramenta Dolmar especificada neste manual. A utilização de quaisquer outros acessórios poderá representar um risco de ferimento para as pessoas. Apenas utilize o acessório para o fim indicado.

Se precisar de informações adicionais relativas aos acessórios, contacte o centro local de assistência Dolmar.

- Cobertura da lâmina
- Montagem da lâmina da tesoura
- Vários tipos de baterias e carregadores Dolmar genuínos.
- Adaptador de bateria
- Gancho do cabo de braço (utilizar juntamente com o adaptador de bateria)
- Apanha-afaras

NOTA:

- Alguns itens na lista podem estar incluídos no pacote de ferramentas como acessórios de série. Podem diferir de país para país.

Ruído

ENG905-1

Os níveis acústicos ponderados A típicos foram determinados segundo a EN60745:

Modelos AH-3655, AH-3656

Nível de pressão sonora (L_{pA}): 85,1 dB (A)
Nível de potência sonora (L_{WA}): 93,1 dB (A)
Imprecisão (K): 2,5 dB (A)

Modelos AH-3665, AH-3666

Nível de pressão sonora (L_{pA}): 84,3 dB (A)
Nível de potência sonora (L_{WA}): 92,3 dB (A)
Incerteza (K): 2,5 dB (A)

Use protecção para os ouvidos.

Vibração

ENG900-1

O valor total da vibração (soma triaxial de vectores) foi determinado segundo a EN60745:

Modelos AH-3655, AH-3656

Modo de trabalho: aperto de impacto de fixadores da capacidade máxima da ferramenta
Emissão de vibração (a_{h1}): 2,5 m/s²
Incerteza (K): 1,5 m/s²

Modelos AH-3665, AH-3666

Modo de trabalho: aperto de impacto de fixadores da capacidade máxima da ferramenta
Emissão de vibração (a_{h1}): 3,0 m/s²
Incerteza (K): 1,5 m/s²

ENG901-1

- O valor da emissão de vibração declarado foi medido de acordo com o método de teste padrão e pode ser utilizado para comparar uma ferramenta com outra.
- O valor da emissão de vibração declarado pode também ser utilizado numa avaliação preliminar de exposição.

⚠️ AVISO:

- A emissão de vibração durante a utilização real da ferramenta eléctrica pode ser diferente do valor de emissão declarado, dependendo da forma como a ferramenta é utilizada.
- Certifique-se de que identifica medidas de segurança, para proteger o operador, que são baseadas numa estimativa de exposição nas condições reais de utilização (tendo em conta todas as partes do ciclo de funcionamento, como as vezes que a ferramenta é desligada e quando está a trabalhar ao ralenti, além do tempo de utilização).

Apenas para os países europeus ENH032-2

Declaração de conformidade CE

O abaixo-assinado, Tamiro Kishima e Rainer Bergfeld, assim autorizado pela Dolmar GmbH, declaram que as máquinas DOLMAR:

Designação da máquina:

Aparador De Cerca Viva a Bateria

N.º de modelo/Tipo: AH-3655, AH-3656, AH-3665, AH-3666

Especificações: consulte a tabela "ESPECIFICAÇÕES".
são produzidas em série e

estão em conformidade com as Directivas Europeias seguintes:

2000/14/EC, 2006/42/EC

E são fabricadas de acordo com as normas ou os documentos padronizados seguintes:

EN60745

A documentação técnica está arquivada em:

Dolmar GmbH,

Jenfelder Strasse 38, Abteilung FZ,

D-22045 Hamburg

O procedimento de avaliação da conformidade requisitado pela Directiva 2000/14/EC estava em conformidade com o anexo V.

Modelos AH-3655, AH-3656

Nível de potência sonora medida: 93,1dB (A)

Nível de potência sonora garantida: 94 dB (A)

Modelos AH-3665, AH-3666

Nível de potência sonora medida: 92,4 dB (A)

Nível de potência sonora garantida: 94 dB (A)

30. 11. 2009



Tamiro Kishima
Director-geral



Rainer Bergfeld
Director-geral

DANSK (Originalvejledning)

Forklaring til generel oversigt

- | | | |
|----------------------------|---|------------------------------------|
| 1. Rød del | 16. Armbånd med ledningskrog | 30. Placer krogene i rillerne |
| 2. Knap | 17. Holder | 31. Riller |
| 3. Batteripakke | 18. Forlængerledning (batteriadapter) | 32. Tryk på krogene på begge sider |
| 4. Hus | 19. Adapter (batteriadapter) | 33. Frigør krogene |
| 5. Knap | 20. Klipperetning | 34. Knivhylster |
| 6. Håndtag | 21. Den hækkeoverflade der skal klippes | 35. Skruer |
| 7. Kontaktgreb B | 22. Hold knivene på skrå. | 36. Underdæksel |
| 8. Kontaktgreb A | 23. Snor | 37. Plade |
| 9. Drejeknap til justering | 24. Tryk | 38. Krumtapp |
| 10. Indikatorlamper | 25. Flisopsamler | 39. Ovalt hul i kniven |
| 11. CHECK-knap | 26. Møtrik | 40. Slidgrænse |
| 12. Adapter | 27. Kniv | 41. Holderdæksel |
| 13. Krog | 28. Grenfanger | 42. Skruetrækker |
| 14. Maskine | 29. Krog | 43. Kulholderdæksel |
| 15. Bælte | | |

SPECIFIKATIONER

Model	AH-3655	AH-3656	AH-3665	AH-3666
Knivlængde	550 mm		650 mm	
Klip pr. minut (min ⁻¹)	1.000 - 1.800		1.000 - 1.800	
Længde i alt	1.070 mm	1.074 mm	1.150 mm	1.154 mm
Nettovægt	5,1 kg		5,2 kg	
Nominel spænding	D.C. 36V		D.C. 36V	

- På grund af vores løbende forsknings- og udviklingsprogram kan specifikationerne heri ændres uden forudgående varsel.
- Specifikationerne og batteripakken kan variere fra land til land.
- Vægt, inklusive batteripakken, i henhold til EPTA-Procedure 01/2003

Symbol END013-2

Følgende viser de symboler, der benyttes til udstyret.

Vær sikker på, at du forstår deres betydning, før du bruger værktøjet.



..... Læs brugsanvisningen.



..... Udsæt den ikke for regn.



..... Kun for EU-lande

Elektrisk udstyr eller batteripakke må ikke bortskaffes sammen med almindeligt affald!

I henhold til det europæiske direktiv 2002/96/EF om bortskaffelse af elektriske og elektroniske produkter, 2006/66/EF om batterier og akkumulatører og bortskaffelse af batterier og akkumulatører og deres implementering under gældende national lovgivning skal brugt elektrisk udstyr og batteripakker, der har udtjent deres levetid, indsamles separat og returneres til miljøgodkendt genindvinding.

Tilsigtet anvendelse

Værktøjet er beregnet til klipping af hække.

ENE014-1

Generelle sikkerhedsadvarsler for maskiner

GEA010-1

⚠ ADVARSEL Læs alle sikkerhedsadvarsler og alle instruktioner. Hvis De ikke følger alle advarsler og instruktioner, kan det medføre elektrisk stød, brand og/eller alvorlig personskade.

Gem alle advarsler og instruktioner til senere reference.

SIKKERHEDSADVARSLER FOR BATTERIDREVT HÆKKEKLIPPER

GEB062-3

1. **Hold kun maskinen i de isolerede grebflader, da knivene kan komme i kontakt med skjulte ledninger.** Hvis knivene kommer i kontakt med en strømførende ledning, kan udsatte metaldele på maskinen blive strømførende, hvorved operatøren kan få elektrisk stød.
2. **Hold alle kropsdele på afstand af knivene. Fjern ikke afskåret materiale og hold ikke på materiale, der skal skæres af, mens knivene arbejder. Sørg for, at kontakten er slukket, når du fjerner materiale, der har sat sig fast.** Ved brug af en hækkeklipper kan et enkelt øjeblikks uopmærksomhed medføre alvorlige personskader.

3. **Bær hækkeklipperen i håndtaget med stoppede knive. Sæt altid knivhylsteret på, når du transporterer eller opbevarer hækkeklipperen.**
Korrekt håndtering af hækkeklipperen reducerer risikoen for personskader pga. kontakt med knivene.
4. Benyt ikke hækkeklipperen i regnvejr eller under våde eller meget fugtige forhold. Den elektriske motor er ikke vandtæt.
5. Førstegangsbbrugere bør få vist hvordan hækkeklipperen skal bruges af en erfaren person.
6. Hækkeklipperen må ikke anvendes af børn eller unge under 18 år. Unge over 16 år er muligvis undtaget fra denne regel, hvis de er under oplæring under opsyn af en ekspert.
7. Brug kun hækkeklipperen hvis du er i god fysisk form. Hvis du er træt, reduceres din koncentrationsevne. Vær især opmærksom sidst på arbejdsdagen. Udfør alt arbejde roligt og forsigtigt. Brugeren er ansvarlig for alle skader på tredjeparter.
8. Du må aldrig anvende hækkeklipperen under påvirkning af alkohol, narkotika eller medicin.
9. Kontroller, at spændingen og frekvensen på strømforsyningen svarer til de specifikationer, der er angivet på identifikationspladen. Vi anbefaler brug af en fejlstrømsafbryder (RCCB) (fejlstrømsafbryder (GFCI)) med en udløsningsstrøm på 30 mA eller mindre, eller en fejlstrømsafbryder (ELCB).
10. Arbejdshandsker af kraftigt læder er en del af basisudstyret til hækkeklipperen og skal altid anvendes, når du arbejder med den. Brug også solide sko med skridsikre såler.
11. Inden du starter, skal du kontrollere, at hækkeklipperen er i god stand og sikker at arbejde med. Sikr dig, at afskærmningerne er ordentligt monterede. Hækkeklipperen må ikke anvendes med mindre, den er helt samlet.
12. Sørg for, at du har et sikkert fodfæste, inden du starter på arbejdet.
13. Hold ordentligt fast på værktøjet under brug.
14. Kør ikke værktøjet mere end nødvendigt uden belastning.
15. Sluk straks for motoren og fjern batteripakken hvis hækkeklipperen skulle komme i kontakt med et hegn eller en anden hård genstand. Efterse hækkeklipperen for skader og få den straks repareret, hvis den er beskadiget.
16. Inden du kontrollerer knivene, udbedrer problemer eller fjerner materiale der sidder fast i knivene, skal du altid først slukke for hækkeklipperen og fjerne batteripakken.
17. Sluk for hækkeklipperen og fjern batteripakken inden der udføres noget vedligeholdelsesarbejde.
18. Du skal altid tage batteripakken ud og sætte sværdhylsteret på, når du flytter hækkeklipperen et andet sted hen, inklusive under arbejdet. Du må aldrig bære eller transportere hækkeklipperen med knivene kørende. Grib aldrig om knivene med hænderne.
19. Rengør hækkeklipperen og især knivene efter brug, samt inden hækkeklipperen lægges væk for en længere periode. Put lidt olie på knivene og sæt hylsteret på. Det hylster, der følger med enheden, kan hænges op på væggen og giver derfor mulighed for på sikker og praktisk vis at opbevare hækkeklipperen.

20. Opbevar hækkeklipperen med skeden på i et tørt rum. Sørg for, at den er uden for børns rækkevidde. Opbevar aldrig hækkeklipperen udendørs.

GEM DISSE INSTRUKTIONER.



ADVARSEL:

LAD IKKE tryghed eller kendskab til produktet (fra gentagen brug) føre til, at du ikke strengt overholder sikkerhedsreglerne for det gældende produkt. MISBRUG eller manglende overholdelse af sikkerhedsreglerne i denne brugsanvisning kan medføre alvorlig personskade.

VIGTIGE SIKKERHEDSINSTRUKTIONER

ENC007-6

FOR BATTERIPAKKEN

1. **Før brugen af batteripakken skal du læse alle instruktioner og advarsler på (1) batteriopladeren, (2) batteriet og (3) det produkt, som batteriet anvendes i.**
2. **Skil ikke batteripakken ad.**
3. **Hvis driftstiden bliver betydeligt kortere, skal du straks ophøre med brugen. Brug kan medføre risiko for overophedning, risiko for forbrændinger eller endog eksplosion.**
4. **Hvis du får elektrolyt i øjnene, skal du med det samme rense øjnene med rent vand og søge læge. Dette kan medføre tab af synet.**
5. **Kortslut ikke batteripakken:**
 - (1) **Undgå at røre ved terminalerne med ledende materiale.**
 - (2) **Undgå at opbevare batteripakken i en beholder med andre metalgenstande som f.eks. søm, mønter osv.**
 - (3) **Udsæt ikke batteripakken for vand eller regn. Hvis batteriet kortsluttes, kan det medføre voldsom strøm, overophedning, mulige forbrændinger og endog nedbrud.**
6. **Undgå at opbevare værktøjet og batteripakken på steder, hvor temperaturen kan komme op på eller overstige 50°C.**
7. **Sæt ikke ild til batteripakken, selvom den er alvorligt beskadiget eller helt udtjent. Batteripakken kan eksplodere ved brand.**
8. **Undgå at tabe eller slå på batteriet.**
9. **Undlad brug af et beskadiget batteri.**

GEM DISSE INSTRUKTIONER.

Tips til, hvordan du forlænger batteriets levetid

1. **Oplad batteripakken, før den bliver helt afladet. Ophør med at bruge værktøjet, og udskift batteripakken, hvis strømmen til værktøjet aftager.**
2. **Oplad aldrig en fuldt opladet batteripakke. Overopladning forkorter batteriets levetid.**
3. **Oplad batteripakken ved stuetemperatur på 10°C - 40°C. Lad batteripakken køle ned før den oplades, hvis den er varm.**

FUNKTIONSBESKRIVELSE

⚠️ FORSIGTIG:

- Sørg altid for, at maskinen er slukket, og at batteripakken er taget ud, før du justerer maskinen eller kontrollerer dens funktion.

Montering eller afmontering af batteripakke

⚠️ FORSIGTIG:

- **Hold godt fast i maskinen og batteripakken når du monterer eller afmonterer batteripakken.** Hvis maskinen og batteriet ikke holdes ordentligt fast, kan de glide ud af hænderne og resultere i skader på maskinen og batteripakken samt personskaade. (Fig. 1)
- Sluk altid for maskinen før du isætter eller afmonterer batteripakken.
- Ved afmontering af batteripakken trækkes den ud af maskinen, mens der trykkes på knappen foran på pakken.
- Ved isætning af batteripakken justeres tungen på batteripakken med rillen i huset, hvorefter pakken skubbes på plads. Sæt den altid hele vejen ind, indtil den låses på plads med et lille klik. Hvis den røde del øverst på knappen er synlig, er batteripakken ikke låst helt fast. Sæt den helt ind, indtil den røde del ikke er synlig. Ellers kan den falde ud af maskinen og skade dig eller andre personer i nærheden.
- Brug ikke magt ved isætning af batteripakken. Hvis den ikke glider let ind, er den ikke indsat korrekt.

Positioner for håndtagsmontering (Fig. 2)

Håndtaget kan drejes 90° til enten venstre eller højre og monteres i en position på enten 45° eller 90°, så den passer til arbejdsbehovet. Træk først i knappen og drej håndtaget med eller mod uret i pilens retning som vist i figuren. Håndtaget låses i 45°-position. Træk i knappen og drej noget mere. Håndtaget låses i 90°-position.

⚠️ FORSIGTIG:

- Sørg altid for, at håndtaget er låst fast i den ønskede position før arbejdet.

Betjening af kontakt

⚠️ FORSIGTIG:

- Før batteripakken sættes i maskinen, skal du altid kontrollere, at afbryderkontakten reagerer korrekt og vender tilbage i "OFF"-stillingen, når du slipper den. (Fig. 3)

Denne maskine er af sikkerhedsårsager udstyret med et dobbelt kontaktsystem. Du tænder for maskinen ved at trykke på kontaktgreb A og B. Slip et af de to aktiverede kontaktgreb for at slukke for maskinen. Rækkefølgen for aktiveringen af kontaktgrebene er uden betydning, eftersom værktøjet kun starter, når begge kontaktgreb er trykket ind.

Ændring af hastigheden (Fig. 4)

Antallet af slag pr. minut kan justeres ved at dreje på drejeknappen. Det kan øres, selvom maskinen kører. Drejeknappen har mærker fra 1 (laveste hastighed) til 6 (fuld hastighed).

Se i tabellen nedenfor for sammenhængen mellem talindstillingerne på drejeknappen og antallet af slag pr. minut.

Nummer på drejeknappen	Slag pr. minut (min ⁻¹)
6	1.800
5	1.750
4	1.650
3	1.500
2	1.300
1	1.000

⚠️ FORSIGTIG:

- Drejeknappen til hastighedsjustering kan kun drejes op til 6 og tilbage til 1. Prøv ikke at tvinge den forbi 6 eller 1, da hastighedsjusteringen ellers kan gå i stykker.
- Antallet af slag pr. minut kan variere afhængigt af forholdene for batteripakken og knivene.








Batteribeskyttelsessystem

Maskinen er udstyret med et beskyttelsessystem, der automatisk slår strømmen fra for at forlænge levetiden. Maskinen stopper muligvis under anvendelsen, når maskinen og/eller batteripakken udsættes for følgende situation. Dette skyldes aktiveringen af beskyttelsessystemet og er ikke et tegn på fejl ved maskinen.

- Når maskinen er overbelastet:
 - I dette tilfælde skal du slippe kontaktgrebet og fjerne årsagen til overbelastningen og derefter trykke ind på kontaktgrebet igen for at genstarte. Når maskinen ikke fungerer, selvom du trykker ind på kontaktgrebet, er den automatiske standsning af batteristrømmen stadig aktiveret. Oplad batteripakken før brug.
- Når den resterende batterikapacitet bliver lav:
 - Genoplad batteripakken.

Indikator for resterende batterikapacitet (kun for modeller med batteri AP-3622)

Batteri AP-3622 er udstyret med en indikator for resterende batterikapacitet. (Fig. 5)
Tryk på CHECK-knappen for at få angivet den resterende batterikapacitet. Indikatorlampen lyser derefter i ca. tre sekunder.

Indikatorlamper	Resterende kapacitet
 Tændt Slukket Blinker	
E  F	70% til 100%
	45% til 70%
	20% til 45%
	0% til 20%
	Oplad batteriet.
	Der opstod muligvis funktionsfejl på batteriet.

- Når det kun er den allernederste indikatorlampe (ved siden af "E" (tom)) der blinker, eller når ingen af indikatorlamperne lyser, er der ikke mere batterikapacitet tilbage, så maskinen kan ikke anvendes. I dette tilfælde skal batteriet oplades, eller det tomme batteri skal udskiftes med et fuldt opladet batteri.
- Når to eller flere indikatorlamper ikke lyser jævnt efter gennemført opladning, er enden på batteriets levetid nået.
- Når de to øverste eller to nederste indikatorlamper lyser på skift, er der muligvis opstået en funktionsfejl på batteriet. Kontakt dit lokale Dolmar-autoriserede servicecenter.

BEMÆRK:

- Den angivne kapacitet kan være lavere end det egentlige niveau under brug eller umiddelbart efter anvendelse af maskinen.
- Afhængigt af anvendelsesforholdene og den omgivende temperatur, kan angivelsen muligvis afvige en smule fra den egentlige kapacitet.

MONTERING

⚠ FORSIGTIG:

- Sørg altid for, at maskinen er slukket, og at batteripakken er taget ud, før du udfører nogen form for arbejde på maskinen.

Batteriadapter (tilbehør) (Fig. 6 og 7)

⚠ FORSIGTIG:

- Inden brug af batteriadapteren skal du læse alle instruktioner på maskiner, som bruger batteri.
- Ved opladning af en batteripakke fjernes den først fra batteriadapteren, og derefter oplades den. Det er ikke tilladt at oplade batteripakken under brug af batteriadapteren.

Montering eller afmontering af batteriadapter

- Sluk altid for maskinen før du isætter eller afmonterer batteriadapteren.
- Ved afmontering af batteriadapteren trækkes den ud af maskinen, mens der trykkes på knappen på adapteren.
- Ved isætning af batteriadapteren justeres tungen på batteriadapteren med rillen i huset, hvorefter adapteren skubbes på plads. Sæt den altid hele vejen ind, indtil den låses på plads med et lille klik. Hvis den røde del øverst på knappen er synlig, er batteripakken ikke låst helt fast. Sæt den helt ind, indtil den røde del ikke er synlig. Ellers kan den falde ud af maskinen og skade dig eller andre personer i nærheden.
- Brug ikke magt ved isætning af batteriadapteren. Hvis adapteren ikke glider let ind, er den ikke indsat korrekt.
- Den måde som du afmonterer en batteripakke fra batteriadapteren, eller monterer den på, er den samme som den måde, du afmonterer eller monterer den fra eller på andre maskiner.
- Tryk krogen så langt ned som den kan komme, når batteriadapteren hægtes på et bælte eller lignende.

Ledningskrog til armen (tilbehør)

⚠ FORSIGTIG:

- Fastgør ikke holderen på ledningskrogen til armen til andet end forlængerledningen. Hvis du gør det, kan det medføre en ulykke eller personskaade.

Brug af ledningskrogen til armen er med til at minimere risikoen for uventet afskæring af forlængerledningen pga. den løse forlængerledning. (Fig. 8)

Placer og fastgør armbåndet med ledningskrogen omkring din arm og før forlængerledningen igennem holderen.

Længden på armbåndet med ledningskrogen kan justeres.

BEMÆRK:

- Du skal ikke føre forlængerledningen gennem båndet.
- Anvend ikke kraft til åbning af holderen. Det kan eventuelt medføre at holderen bøjes og beskadiges.

BETJENING

⚠ FORSIGTIG:

- Sørg for, at du ikke utilsigtet kommer i kontakt med metalhegn eller andre hårde genstande under klipning. Kniven kan muligvis brække og forårsage alvorlig personskaade.
- Det er meget farligt at strække sig meget langt frem med en hækkeklipper, især fra en stige. Udfør ikke arbejde stående på noget der rokker eller ikke står ordentligt fast. (Fig. 9)

Forsøg ikke at klippe grene der er tykkere end 10 mm i diameter med denne hækkeklipper. Disse bør først klippes ned til hækkeklipningsniveau med en grensaks.

⚠ FORSIGTIG:

- Klip ikke i døde træer eller lignende hårde genstande. Hvis du gør det, kan det muligvis beskadige værktøjet. (Fig. 10)

Hold hækkeklipperen med begge hænder, tryk ind på kontaktagreb A eller B og før derefter hækkeklipperen foran kroppen. (Fig. 11)

Grundlæggende bør du holde knivene på skrå, vendt mod klipperetningen og stille og roligt føre hækkeklipperen frem med en hastighed på 3 - 4 sekunder pr. meter. (Fig. 12)

Når du skal klippe toppen på hækken lige, hjælper det at spænde en snor ud i den ønskede højde og klippe langs med den, ved at bruge den som en referencelinje. (Fig. 13)

Hvis du monterer bladafskærmningen (tilbehør) på værktøjet, når du klipper hækken lige, kan du undgå, at afskarne blade bliver kastet væk. (Fig. 14)

Inden arbejdet drejes håndtaget, så det er nemt at håndtere maskinen. Se afsnittet "Positioner for håndtagsmontering".

For at klippe hækpens side lige hjælper det at klippe fra bunden af og op. (Fig. 15)

Når buksbom eller rhododendron klippes nedefra og op mod toppen, får du det bedste resultat.

Montering og afmontering af bladafskærmningen (tilbehør)

⚠️ FORSIGTIG:

- Sørg altid for, at maskinen er slukket, og batteripakken er taget ud, før du monterer eller afmonterer flisopsamleren.

BEMÆRK:

- Når du monterer/afmonterer bladafskærmningen, skal du altid bære handsker, sådan at hænder og ansigt ikke kommer i direkte kontakt med knivene. Ellers kan det medføre personskader.
- Sørg altid for at fjerne knivhylsteret inden montering af flisopsamleren.
- Bladafskærmningen modtager de afskårne blade, og gør det lettere at opsamle bortkastede blade. Den kan monteres på begge sider af værktøjet. (Fig. 16)

Tryk bladafskærmningen ned på knivene sådan at dens sprækker overlapper med møtrikkerne på knivene. Du skal her kontrollere, at bladafskærmningen ikke rører ved grenfangeren, der er placeret yderst på knivene. (Fig. 17) På dette tidspunkt skal flisopsamleren installeres sådan, at den hægtes fast i rillerne i knivenheden. (Fig. 18) Flisopsamleren fjernes ved at trykke på dens udløser på begge sider, sådan at krogene frigøres. (Fig. 19)

⚠️ FORSIGTIG:

- Knivhylsteret (standardudstyr) kan ikke monteres på værktøjet, mens bladafskærmningen er monteret. Inden du bærer på eller opbevarer hækkeklipperen, skal du afmontere bladafskærmningen og sætte knivhylsteret på for at beskytte knivene.

BEMÆRK:

- Efterse bladafskærmningen inden brug for at sikre ordentlig fastgørelse.
- Forsøg aldrig at afmontere bladafskærmningen ved brug af kraft, mens krogene er låst ind i knivenhedens riller. Brug af overdreven kraft kan beskadige værktøjet.

VEDLIGEHODELSE

⚠️ FORSIGTIG:

- Sørg altid for, at maskinen er slukket, og at batteripakken er taget ud, før du forsøger at udføre inspektion eller vedligeholdelse.

Rengøring af værktøjet

Rengør værktøjet ved at tørre det af med en tør klud, eller en der er dyppet i sæbevand.

⚠️ FORSIGTIG:

- Brug aldrig benzin, benzen, fortynder, alkohol eller lignende. Det kan muligvis medføre misfarvning, deformation eller revner.

Vedligeholdelse af kniven

Smør kniven inden brug, samt én gang i timen under brug med maskinolie eller lignende.

BEMÆRK:

- Afmonter flisopsamleren inden du smører kniven. Efter udført arbejde skal du fjerne støv fra begge sider af kniven med en stålborste, tørre det af med en klud og

derefter påføre rigeligt olie med lav viskositet, som fx maskinolie osv., eller smøreolie på spraydåse.

⚠️ FORSIGTIG:

- Vask ikke kniven i vand. Det muligvis forårsage rust eller beskadige værktøjet.

Afmontering eller montering af kniv

⚠️ FORSIGTIG:

- Sørg altid for, at maskinen er slukket, og batteripakken er taget ud, før du afmonterer eller monterer kniven.
- Når du udskifter kniven, skal du altid bære handsker og undgå at fjerne knivhylsteret, sådan at hænder og ansigt ikke kommer i direkte kontakt med knivene. Ellers kan det medføre personskader.

BEMÆRK:

- Tør ikke fedtet af gearet eller krumtappen. Hvis du gør det, kan det muligvis beskadige værktøjet.
- Se bagsiden på indpakningen af ekstraknive angående en særlig metode til afmontering og montering af knivene.

Afmontering af knivene

Vend værktøjet på hovedet og løs de fire skruer. (Fig. 20)

BEMÆRK:

- Pas på dine hænder ikke snavses til eftersom der er smurt med fedt i knivenes bevægelsesområde.

Fjern underdækslet. (Fig. 21)

Fjern pladen. (Fig. 22)

Indstil krumtappen på den vinkel som er vist på figuren med en skruetrækker med lige kærv. (Fig. 23)

Fjern to skruer fra knivene hvorefter knivenheden kan tages ud. (Fig. 24)

⚠️ FORSIGTIG:

- Sæt gearet tilbage på dets oprindelige position, på samme måde som det var monteret, hvis det ved en fejltagelse skulle tages af.

Montering af kniven

Hav de 4 aftagne skruer (til underdækslet), 2 skruer (til kniven), pladen, underdækslet og de nye knive parat. Juster positionen af krumtappen som vist på figuren. Put herefter noget af det fedtstof, der følger med de nye knive, rundt i kanten på krumtappen. (Fig. 25)

Overlap det ovale hul i den øverste kniv med det i den nederste kniv. (Fig. 26)

Tag knivhylsteret fra de gamle knive frem og placer det på de nye, så du nemt kan håndtere knivene under udskiftningen. (Fig. 27)

Placer de nye knive på værktøjet sådan at de ovale huller i knivene passer på krumtappen. Overlap huller i knivene med skruenhullerne i værktøjet og fastgør dem derefter med to skruer. (Fig. 28)

Kontroller, at krumtappen nemt kan dreje med en skruetrækker med lige kærv. (Fig. 29)

Monter pladen og underdækslet på maskinen. Stram skruen ordentligt til.

BEMÆRK:

- Der er forskel på op og ned på pladen. Tag knivhylsteret af og tænd derefter for værktøjet for at kontrollere om knivene bevæger sig korrekt.

BEMÆRK:

- Hvis knivene ikke kører ordentligt, er det fordi, at knivene og krumtappen ikke er tilpasset ordentligt. Gør monteringen om igen.

Udskiftning af kulbørsterne (Fig. 30)

Tag regelmæssigt kulbørsterne af, og efterse dem. Udskift dem, når de er nedslidte til slidgrænsen. Hold kulbørsterne rene og frie til at glide i holderne. Begge kulbørster skal udskiftes samtidig. Brug altid identiske kulbørster. (Fig. 31)

Sæt spidsen af skruetrækkeren med kærvspids ind i indhakket i maskinen, og fjern dækpladen ved at løfte op i den. (Fig. 32)

Brug en skruetrækker til at fjerne kulholderdækslerne. Tag de udslidte kulbørster ud, monter de nye, og fastgør kulholderdækslerne.

Monter dækpladen til holderdækslet på maskinen igen.

Opbevaring

Hullet i bunden af knivhylsteret er praktisk, når værktøjet hænges på på et søm eller en skrue på væggen. (Fig. 33) Fjern batteripakken og placer knivhylsteret over knivene sådan at knivene ikke er udækkede. Sørg for at opbevare værktøjet uden for børns rækkevidde.

Opbevar værktøjet på et sted hvor det ikke udsættes for vand og regn. For at holde produktet SIKKERT og PÅLIDELIGT skal reparationer samt al anden vedligeholdelse eller justering udføres af autoriserede DOLMAR-servicecentre, og der skal altid benyttes DOLMAR-reservedele.

EKSTRAUDSTYR

⚠ FORSIGTIG:

- Dette tilbehør eller ekstraudstyr anbefales til brug med det Dolmar-værktøj, som er beskrevet i denne brugsanvisning. Brug af andet tilbehør eller ekstraudstyr kan forårsage personskade. Brug kun tilbehør eller ekstraudstyr til det formål, det er beregnet til.

Henvend dig til dit lokale Dolmar-servicecenter, hvis du har brug for hjælp eller yderligere oplysninger vedrørende tilbehøret.

- Knivhylster
- Knivmontering
- Forskellige typer af originale batterier og opladere fra Dolmar
- Batteriadapter
- Ledningskrog til arm (som bruges sammen med batteriadapteren)
- Flisopsamler

BEMÆRK:

- Visse dele på listen er muligvis indeholdt maskinindpakningen som standardtilbehør. De kan variere fra land til land.

Støj

ENG905-1

Det typiske A-vægtede støjniveau bestemt i overensstemmelse med EN60745:

Model AH-3655, AH-3656

Lydtrykniveau (L_{pA}): 85,1 dB (A)

Lydeffektniveau (L_{WA}): 93,1 dB (A)

Usikkerhed (K): 2,5 dB (A)

Model AH-3665, AH-3666

Lydtrykniveau (L_{pA}): 84,3 dB (A)

Lydeffektniveau (L_{WA}): 92,3 dB (A)

Usikkerhed (K): 2,5 dB (A)

Bær høreværn.

Vibration

ENG900-1

Den samlede vibrationsværdi (treaksiel vektorsum) bestemte i overensstemmelse med EN60745:

Model AH-3655, AH-3656

Arbejdstilstand: stramning med slag af fastgøringsmidler ved værktøjets maksimale kapacitet

Vibrationsemission (a_{h1}): 2,5 m/s²

Usikkerhed (K): 1,5 m/s²

Model AH-3665, AH-3666

Arbejdstilstand: stramning med slag af fastgøringsmidler ved værktøjets maksimale kapacitet

Vibrationsemission (a_{h1}): 3,0 m/s²

Usikkerhed (K): 1,5 m/s²

ENG901-1

- Den opgivne vibrationsemissionsværdi er målt i overensstemmelse med standardtestmetoden og kan bruges til at sammenligne et værktøj med et andet.
- Den opgivne vibrationsemissionsværdi kan muligvis også bruges til en indledende eksponeringsvurdering.

⚠ ADVARSEL:

- Vibrationsemissionen under den faktiske brug af maskinen kan afvige fra den opgivne emissionsværdi afhængigt af den måde, maskinen anvendes på.
- Sørg for at bestemme sikkerhedsforanstaltninger for beskyttelse af operatøren, som er baseret på en eksponeringsvurdering for brug under faktiske forhold (hvor alle anvendelsescyklussens dele inddrages, som f.eks. antal gange maskinen slukkes, og når den kører i tomgang ud over trigger tiden).

Kun for lande i Europa

ENH032-2

EF-overensstemmelseserklæring

De undertegnede, Tamiro Kishima og Rainer Bergfeld, erklærer som autoriserede af Dolmar GmbH at denne/disse DOLMAR-maskine(r):

Maskinens betegnelse:

Batteridrevet hækkeklipper

Modelnummer/ type: AH-3655, AH-3656, AH-3665, AH-3666

Specifikationer: se tabellen "SPECIFIKATIONER".

er en produktionsserie og

Overholder følgende europæiske direktiver:

2000/14/EF, 2006/42/EF

Og er produceret i overensstemmelse med følgende standarder eller standardiserede dokumenter: EN60745

Den tekniske dokumentation opbevares hos:

Dolmar GmbH,
Jenfelder Strasse 38, Abteilung FZ,
D-22045 Hamburg

Den konformitetsvurderingsprocedure, der kræves af Direktiv 2000/14/EF, blev udført i henhold til appendiks V. Model AH-3655, AH-3656

Målt lydeffektniveau: 93,1 dB (A)

Garanteret lydeffektniveau: 94 dB (A)

Model AH-3665, AH-3666

Målt lydeffektniveau: 92,4 dB (A)

Garanteret lydeffektniveau: 94 dB (A)

30. 11. 2009



Tamiro Kishima
Administrerende direktør



Rainer Bergfeld
Administrerende direktør

ΕΛΛΗΝΙΚΑ (Πρωτογενείς οδηγίες)

Γενική περιγραφή

1. Κόκκινο τμήμα
2. Κουμπί
3. Μπαταρία
4. Περιβλήμα
5. Κουμπί
6. Χερούλι
7. Σκανδάλη-διακόπτης Β
8. Σκανδάλη-διακόπτης Α
9. Επιλογέας ρύθμισης
10. Ενδεικτικές λυχνίες
11. Πλήκτρο CHECK (ΕΛΕΓΧΟΣ)
12. Προσαρμογέας
13. Γάντζος
14. Εργαλείο
15. Ζώνη
16. Ζώνη γάντζου καλωδίου μπράτσου
17. Στήριγμα
18. Καλώδιο μπαλαντζέας (Προσαρμογέας μπαταρίας)
19. Προσαρμογέας (Προσαρμογέας μπαταρίας)
20. Διεύθυνση κλαδέματος
21. Επιφάνεια του φράκτη που πρόκειται να κλαδευτεί
22. Δώστε κλίση στις λάμες.
23. Κορδόνι
24. Πιέστε
25. Συλλέκτης θραυσμάτων
26. Παξιμάδι
27. Λεπίδα ψαλιδιού
28. Συλλέκτης κλαδιών
29. Άγκιστρα
30. Προσαρμόστε τα άγκιστρα στην αυλακώση
31. Αυλακώσεις
32. Πιέστε τα άγκιστρα και στις δυο πλευρές
33. Απασφαλίστε τα άγκιστρα
34. Κάλυμμα λεπίδων
35. Βίδες
36. Κάτω κάλυμμα
37. Έλασμα
38. Στρόφαλος
39. Ωειδής τρύπα της λεπίδας ψαλιδιού
40. Ένδειξη ορίου
41. Κάλυμμα καπακιού υποδοχής
42. Κατσαβίδι
43. Καπάκι θήκης ψήκτρας

ΠΡΟΔΙΑΓΡΑΦΕΣ

Μοντέλο	AH-3655	AH-3656	AH-3665	AH-3666
Μήκος λεπίδας	550 mm		650 mm	
Διαδρομές το λεπτό (min ⁻¹)	1.000 - 1.800		1.000 - 1.800	
Ολικό μήκος	1.070 mm	1.074 mm	1.150 mm	1.154 mm
Καθαρό βάρος	5,1 kg		5,2 kg	
Ονομαστική τιμή τάσης	D.C.36V		D.C.36V	

- Λόγω του συνεχόμενου προγράμματος που εφαρμόζουμε για έρευνα και ανάπτυξη, τα τεχνικά χαρακτηριστικά στο παρόν έντυπο υπόκεινται σε αλλαγή χωρίς προειδοποίηση.
- Τα τεχνικά χαρακτηριστικά και η μπαταρία ενδέχεται να διαφέρουν από χώρα σε χώρα.
- Βάρος μαζί με την μπαταρία σύμφωνα με τη διαδικασία της EPTA 01/2003

Σύμβολο

END013-2

Παρακάτω παρουσιάζονται τα σύμβολα που χρησιμοποιούνται για τον εξοπλισμό. Βεβαιωθείτε ότι κατανοείτε τη σημασία τους πριν από τη χρήση.



..... Διαβάστε το εγχειρίδιο οδηγιών.



..... Μην το εκθέσετε στη βροχή.



Cd
Ni-MH
Li-Ion
..... Μόνο για τις χώρες της ΕΕ
Μην απορρίπτετε τον ηλεκτρικό εξοπλισμό ή την μπαταρία μαζί με τα οικιακά απορρίμματα!
Σύμφωνα με την Ευρωπαϊκή Οδηγία 2002/96/ΕΚ περί αποβλήτων ηλεκτρικού και ηλεκτρονικού εξοπλισμού, την 2006/66/ΕΚ περί μπαταριών και συσσωρευτών και των αποβλήτων των μπαταριών και των συσσωρευτών και την ενσωμάτωσή τους στην εθνική νομοθεσία, ο ηλεκτρικός εξοπλισμός και η μπαταρία που έχουν φτάσει στο

τέλος της ζωής τους πρέπει να συλλέγονται ξεχωριστά και να επιστρέφονται σε εγκαταστάσεις περιβαλλοντικής ανακύκλωσης.

Προοριζόμενη χρήση

ENE014-1

Το εργαλείο προορίζεται για το κλάδεμα φρακτών από θάμνους.

Γενικές Προειδοποιήσεις Ασφαλείας Του Ηλεκτρικού Εργαλείου

GEA010-1

⚠ ΠΡΟΕΙΔΟΠΟΙΗΣΗ Διαβάστε όλες τις προειδοποιήσεις ασφαλείας και όλες τις οδηγίες. Αν δεν ακολουθήσετε όλες τις προειδοποιήσεις και τις οδηγίες, υπάρχει κίνδυνος ηλεκτροπληξίας, πυρκαγιάς ή/και σοβαρού τραυματισμού.

Φυλάξτε όλες τις προειδοποιήσεις και τις οδηγίες για μελλοντική αναφορά.

ΠΡΟΕΙΔΟΠΟΙΗΣΕΙΣ ΑΣΦΑΛΕΙΑΣ ΨΑΛΙΔΙΟΥ ΜΠΟΡΝΤΟΥΡΑΣ ΜΠΑΤΑΡΙΑΣ

GEB062-3

1. **Κρατήστε το ηλεκτρικό εργαλείο μόνο από τις μωνωμένες επιφάνειες, επειδή η λάμα κοπής μπορεί να έρθει σε επαφή με κρυμμένη καλωδίωση.** Αν οι λάμες κοπής έρθουν σε επαφή με κάποιο ηλεκτροφόρο καλώδιο, τα εκτεθειμένα μεταλλικά μέρη του ηλεκτρικού εργαλείου θα γίνουν κι αυτά ηλεκτροφόρα και μπορεί να προκληθεί ηλεκτροπληξία στο χειριστή.
2. **Κρατήστε όλα τα μέρη του σώματός σας μακριά από τη λεπίδα κοπής. Μην αφαιρείτε το υλικό κοπής ή κρατήσετε το υλικό που πρόκειται να κοπεί όταν κινούνται οι λεπίδες. Σιγουρευτείτε ότι ο διακόπτης είναι κλειστός κατά τον καθαρισμό του υλικού που έχει μπλοκάρει.** Μια στιγμή απροσεχίας κατά τη διάρκεια χειρισμού του ψαλιδιού μπορντούρας μπορεί να προκαλέσει σοβαρό προσωπικό τραυματισμό.
3. **Να μεταφέρετε το ψαλίδι μπορντούρας από τη λαβή με σταματημένη την λεπίδα κοπής. Κατά την μεταφορά ή την αποθήκευση του ψαλιδιού μπορντούρας πάντοτε να τοποθετείτε το κάλυμμα του μηχανισμού κοπής.** Ο κατάλληλος χειρισμός του ψαλιδιού μπορντούρας θα ελαττώσει την πιθανότητα προσωπικού τραυματισμού από τις λεπίδες ψαλιδιού.
4. Να μην χρησιμοποιήσετε το ψαλίδι μπορντούρας μέσα στην βροχή ή κάτω από υγρές ή πολύ υαυτερές συνθήκες. Το ηλεκτρικό μωτέρ δεν είναι αδιάβροχο.
5. Οι χρήστες που χρησιμοποιούν το ψαλίδι μπορντούρας για πρώτη φορά θα πρέπει να λάβουν οδηγίες για τη χρήση του από ένα έμπειρο χρήστη.
6. Το ψαλίδι μπορντούρας δεν πρέπει να χρησιμοποιείται από παιδιά και νέους κάτω των 18 ετών. Εξαιρούνται από αυτήν την απαγόρευση οι νέοι άνω των 16 ετών που εκπαιδεύονται υπό την επίβλεψη ειδικού.
7. Να χρησιμοποιείτε το ψαλίδι μπορντούρας μόνο όταν βρίσκεστε σε καλή φυσική κατάσταση. Εάν είσατε κουρασμένοι θα ελαττωθεί η προσοχή σας. Να είσατε ιδιαίτερα προσεκτικοί κατά το τέλος της ημέρας εργασίας. Να διεξάγετε όλη την εργασία με ηρεμία και προσοχή. Ο χρήστης είναι υπεύθυνος για όλες τις ζημιές σε τρίτους.
8. Μην χρησιμοποιείτε ποτέ το ψαλίδι υπό την επίρροια αλκοόλ, ναρκωτικών ουσιών ή φαρμάκων.
9. Ελέγξτε για να βεβαιωθείτε ότι η τάση και η συχνότητα του παρεχόμενου ρεύματος αντιστοιχούν στις προδιαγραφές που δίνονται στην πινακίδα αναγνώρισης. Σας συνιστάμε να χρησιμοποιήσετε ένα διακόπτη προστασίας ρεύματος διαρροής (διακόπτης κυκλώματος βλάβης γείωσης) με ρεύμα διαρροής ίσο ή μικρότερο από 30 mA, ή μια προστατευτική διάταξη διαρροής γείωσης.
10. Τα γάντια εργασίας από ανθεκτικό δέρμα αποτελούν μέρος του βασικού εξοπλισμού του ψαλιδιού μπορντούρας και θα πρέπει πάντοτε να φοριούνται κατά την εργασία με αυτό. Επίσης να φοράτε ανθεκτικά παπούτσια με αντιολισθητικές σόλες.
11. Πριν από την έναρξη της εργασίας βεβαιωθείτε ότι το ψαλίδι βρίσκεται σε καλή και ασφαλή κατάσταση λειτουργίας. Διασφαλίστε ότι τα προστατευτικά έχουν

τοποθετηθεί σωστά. Εάν δεν είναι πλήρως συναρμολογημένο το ψαλίδι μπορντούρας δεν θα πρέπει να χρησιμοποιείται.

12. Πριν ξεκινήσετε την εργασία διασφαλίστε ότι έχετε ένα σταθερό πάτημα.
13. Να κρατάτε το εργαλείο γερά όταν το χρησιμοποιείτε.
14. Μην θέτετε το εργαλείο σε λειτουργία χωρίς φόρτο, αν αυτό δεν είναι απαραίτητο.
15. Σταματήστε αμέσως το μωτέρ και αποσυνδέστε την μπαταρία εάν ο κόφτης έρθει σε επαφή με το φράκτη ή με κάποιο άλλο σκληρό αντικείμενο. Ελέγξτε το κόφτη προσεκτικά για φθορά, και αν έχει πάθει ζημιά επισκευάστε τον αμέσως.
16. Πριν από τον έλεγχο του κόφτη, την επιδιόρθωση σφαλμάτων ή την αφαίρεση του υλικού που πιόστηκε μέσα στον κόφτη πάντοτε να διακόπτετε τη λειτουργία του ψαλιδιού και να βγάξετε τη μπαταρία.
17. Πριν από την εκτέλεση της οποιασδήποτε εργασίας συντήρησης να διακόπτετε την λειτουργία του ψαλιδιού και να αφαιρέτε την μπαταρία.
18. Κατά την μετακίνηση του ψαλιδιού μπορντούρας σε μια άλλη θέση, ακόμη και κατά την διάρκεια της εργασίας, πάντοτε να αφαιρέτε την μπαταρία και να τοποθετείτε το κάλυμμα των λεπίδων πάνω στις λεπίδες κοπής. Ποτέ μη μεταφέρετε ή μετακινείτε το ψαλίδι με το κόφτη σε λειτουργία. Ποτέ να μην πιάνετε τον κόφτη με τα χέρια σας.
19. Καθαρίστε το ψαλίδι μπορντούρας και ιδιαίτερα τον κόφτη μετά από την χρήση και πριν αποθηκεύσετε το ψαλίδι για παρατεταμένους περιόδους. Λαδώστε ελαφρά τον κόφτη και τοποθετήστε το κάλυμμα. Το κάλυμμα που παρέχετε με τη συσκευή μπορεί να κρεμαστεί στον τοίχο, παρέχοντας ένα ασφαλή και πρακτικό τρόπο για την αποθήκευση του ψαλιδιού μπορντούρας.
20. Αποθηκεύστε το ψαλίδι μπορντούρας με το κάλυμμα πάνω του σε ένα ξηρό δωμάτιο. Κρατήστε το μακριά από την πρόσβαση των παιδιών. Ποτέ να μην αποθηκεύσετε το ψαλίδι σε εξωτερικό χώρο.

ΦΥΛΑΞΤΕ ΑΥΤΕΣ ΤΙΣ ΟΔΗΓΙΕΣ.

⚠️ ΠΡΟΕΙΔΟΠΟΙΗΣΗ:

ΜΗΝ επιτρέψετε στη βολικότητα ή στην εξοικειώσή σας με το προϊόν (που αποκτήθηκε από επανειλημμένη χρήση) να αντικαταστήσει την αυστηρή προσήλωση στους κανόνες ασφάλειας του εν λόγω προϊόντος. Η ΛΑΝΘΑΣΜΕΝΗ ΧΡΗΣΗ ή η μη τήρηση των κανόνων ασφαλείας που διατυπώνονται στο παρόν εργαλείδιο οδηγιών μπορεί να προκαλέσει σοβαρό τραυματισμό.

ΣΗΜΑΝΤΙΚΕΣ ΟΔΗΓΙΕΣ ΑΣΦΑΛΕΙΑΣ

ENC007-6

ΓΙΑ ΤΗΝ ΜΠΑΤΑΡΙΑ

1. Πριν χρησιμοποιήσετε την μπαταρία, διαβάστε όλες τις οδηγίες και τις ενδείξεις προφύλαξης στο (1) φορητή μπαταρία, (2) την μπαταρία και (3) το προϊόν στο οποίο χρησιμοποιείται η μπαταρία.
2. Μην αποσυναρμολογείτε την μπαταρία.
3. Αν ο χρόνος λειτουργίας της μπαταρίας είναι υπερβολικά σύντομος, διακόψτε αμέσως τη

- λειτουργία. Αν συνεχίσετε, μπορεί να έχει ως αποτέλεσμα τον κίνδυνο υπερθέρμανσης, πιθανών εγκαυμάτων και ακόμη έκρηξης.
4. Αν μπει στα μάτια σας ηλεκτρολύτης, ξεπλύνετε με καθαρό νερό και αναζητήστε αμέσως ιατρική βοήθεια. Μπορεί να χάσετε την όρασή σας.
 5. Μη βραχυκυκλώνετε την μπαταρία:
 - (1) Μη αγγίζετε τους ακροδέκτες με αγώγιμο υλικό.
 - (2) Μη αποθηκεύετε την μπαταρία σε δοχείο με άλλα μεταλλικά αντικείμενα, όπως καρφιά, νομίσματα, κτλ.
 - (3) Μη εκθέτετε την μπαταρία σε νερό ή βροχή. Αν βραχυκυκλωθεί η μπαταρία, μπορεί να προκληθεί μεγάλη ροή ηλεκτρικού ρεύματος, υπερθέρμανση, πιθανά εγκαύματα και ακόμη και καταστροφή της μπαταρίας.
 6. Μη αποθηκεύετε το εργαλείο και την μπαταρία σε μέρη όπου η θερμοκρασία μπορεί να φτάσει ή να ξεπεράσει τους 50°C (122°F).
 7. Μη αποθερμώνετε την μπαταρία ακόμη κι αν παρουσιάζει σοβαρή ζημιά ή είναι εντελώς φθαρμένη. Η μπαταρία μπορεί να εκραγεί σε φωτιά.
 8. Να προσέχετε να μη σας πέσει η μπαταρία και να μη συγκρουστεί με κάποιο αντικείμενο.
 9. Μη χρησιμοποιείτε μια μπαταρία που έχει υποστεί βλάβη.

ΦΥΛΑΞΤΕ ΑΥΤΕΣ ΤΙΣ ΟΔΗΓΙΕΣ.

Συμβουλές για τη διατήρηση της μέγιστης ζωής της μπαταρίας

1. Να φορτίζετε την μπαταρία πριν αποφορτιστεί εντελώς.

Πάντοτε να διακόπτετε τη λειτουργία του εργαλείου και να φορτίζετε την μπαταρία όταν πατηθείται μειωμένη ισχύ του εργαλείου.
2. Ποτέ μην επαναφορτίζετε μια πλήρως φορτισμένη μπαταρία.

Αν υπερφορτίσετε την μπαταρία, μειώνεται η ωφέλιμη διάρκεια ζωής της.
3. Να φορτίζετε την μπαταρία σε θερμοκρασία δωματίου, δηλαδή στους 10°C έως 40°C (50°F έως 104°F). Αν η μπαταρία είναι θερμή, αφήστε την να ψυχθεί πριν τη φορτίσετε.

ΠΕΡΙΓΡΑΦΗ ΛΕΙΤΟΥΡΓΙΑΣ

⚠️ ΠΡΟΣΟΧΗ:

- Να βεβαιώνετε πάντοτε ότι έχετε σβήσει το εργαλείο και έχετε βγάλει την μπαταρία πριν ρυθμίσετε ή ελέγξετε κάποια λειτουργία του εργαλείου.

Τοποθέτηση ή αφαίρεση της μπαταρίας

⚠️ ΠΡΟΣΟΧΗ:

- Κρατήστε το εργαλείο και την μπαταρία γερά κατά την τοποθέτηση ή την αφαίρεση της μπαταρίας. Εάν δεν κρατήσετε το εργαλείο και την μπαταρία καλά μπορεί να γλιστρήσουν από τα χέρια σας και να προκληθεί ζημιά στο εργαλείο και στη μπαταρία αλλά και προσωπικός τραυματισμός. (Εικ. 1)

- Πάντοτε να σβήνετε το εργαλείο πριν βάζετε ή βγάξετε τη μπαταρία.
- Για να βγάλετε την μπαταρία, τραβήξτε την από το εργαλείο καθώς σύρετε το κουμπί στο μπροστινό τμήμα της μπαταρίας.
- Για να τοποθετήσετε την μπαταρία, ευθυγραμμίστε τη γλωττίδα στην μπαταρία με την εγκοπή στη θήκη και ολισθήστε τη στη θέση της. Πάντοτε να την τοποθετείτε έως το τέρμα, δηλαδή έως ότου ασφαλίσει στη θέση και ακουστεί ένας χαρακτηριστικός ήχος "κλικ". Αν φαίνεται το κόκκινο τμήμα στην άνω πλευρά του κουμπιού, η μπαταρία δεν είναι πλήρως ασφαλισμένη. Εισάγετε την πλήρως για να μη φαίνεται το κόκκινο τμήμα. Σε αντίθετη περίπτωση, μπορεί να πέσει κατά λάθος από το εργαλείο και να τραυματίσει εσάς ή κάποιον παρευρισκόμενο.
- Να μη χρησιμοποιείτε δύναμη όταν τοποθετείτε την μπαταρία. Αν η μπαταρία δεν ολισθαίνει με ευκολία, δεν την εισάγατε σωστά.

Θέση στερέωσης της λαβής (Εικ. 2)

Η λαβή μπορεί να περιστραφεί κατά 90° αριστερά ή δεξιά και στερεώνεται στη θέση των 45° ή 90° για να προσαρμόζεται στις ανάγκες της εργασίας σας. Πρώτα, τραβήξτε το κουμπί και περιστρέψτε τη λαβή προς τα αριστερά ή τα δεξιά προς την κατεύθυνση του βέλους που δείχνεται στην εικόνα. Η λαβή θα κλειδώσει στη θέση των 45°. Στην συνέχεια τραβήξτε το κουμπί και περιστρέψτε περισσότερο. Η λαβή θα κλειδώσει στη θέση των 90°.

⚠️ ΠΡΟΣΟΧΗ:

- Να βεβαιώνετε πάντα ότι η λαβή είναι κλειδωμένη στην επιθυμητή θέση πριν από τη λειτουργία.

Δράση διακόπτη

⚠️ ΠΡΟΣΟΧΗ:

- Πριν την τοποθέτηση της μπαταρίας στο εργαλείο, πάντοτε να ελέγχετε ότι η σκανδάλη-διακόπτης ενεργοποιείται κανονικά και επιστρέφει στη θέση "OFF" όταν την αφήνετε. (Εικ. 3)

Για την ασφάλειά σας αυτό το εργαλείο είναι εφοδιασμένο με ένα σύστημα με δυο διακόπτες. Για να ενεργοποιήσετε το εργαλείο, πατήστε τις σκανδάλες Α, Β. Ελευθερώστε την μια από τις δυο πατημένες σκανδάλες για την απενεργοποίηση του εργαλείου. Δεν έχει σημασία η σειρά με την οποία θα ενεργοποιηθούν οι σκανδάλες επειδή το εργαλείο ξεκινά μόνο όταν ενεργοποιηθούν και οι δυο σκανδάλες.

Αλλαγή ταχύτητας (Εικ. 4)

Μπορείτε να ρυθμίσετε τις διαδρομές ανά λεπτό, αν περιστρέψετε απλά τον επιλογέα ρύθμισης. Αυτό μπορεί να πραγματοποιηθεί ακόμα και κατά τη λειτουργία του εργαλείου. Ο επιλογέας είναι σημειωμένος από το 1 (χαμηλότερη ταχύτητα) έως το 6 (τελική ταχύτητα). Για τη σχέση μεταξύ των αριθμημένων ρυθμίσεων στον επιλογέα ρύθμισης και των διαδρομών ανά λεπτό, ανατρέξτε στον παρακάτω πίνακα.

Αρίθμηση στον επιλογέα ρύθμισης	Διαδρομές το λεπτό (min ⁻¹)
6	1.800
5	1.750
4	1.650
3	1.500
2	1.300
1	1.000

⚠ ΠΡΟΣΟΧΗ:

- Ο επιλογέας ρύθμισης ταχύτητας έχει τη δυνατότητα να περιστρέφεται έως το 6 και ξανά στο 1. Μην τον εξαναγκάζετε πέρα από το 6 ή το 1, αλλιώς μπορεί να μη λειτουργεί πλέον η ρύθμιση ταχύτητας.
- Οι διαδρομές ανά λεπτό διαφέρουν ανάλογα με τις συνθήκες της μπαταρίας και των λεπίδων ψαλιδιού.

Σύστημα προστασίας μπαταρίας

Το εργαλείο διαθέτει ένα σύστημα προστασίας, το οποίο διακόπτει αυτόματα την παροχή ρεύματος για τη διατήρηση της μακράς διάρκειας ζωής του.

Το εργαλείο μπορεί να σταματήσει κατά τη λειτουργία όταν το εργαλείο και/ή μπαταρία υποστούν την παρακάτω συνθήκη. Αυτό προκαλείται από την ενεργοποίηση του συστήματος προστασίας και δεν δείχνει ότι το εργαλείο έχει κάποιο πρόβλημα.

- Όταν το εργαλείο είναι υπερφορτωμένο:
Τη στιγμή αυτή, ελευθερώστε τη σκανδάλη-διακόπτη και απομακρύνετε τις αιτίες της υπερφόρτωσης και στη συνέχεια τραβήξτε τη σκανδάλη-διακόπτη ξανά για την επανεκκίνηση. Εάν το εργαλείο δεν λειτουργεί ακόμη και όταν τραβήξετε τη σκανδάλη-διακόπτη, τότε η αυτόματη διακοπή του ρεύματος της μπαταρίας βρίσκεται ακόμη σε ισχύ. Φορτίστε τη μπαταρία πριν από τη χρήση.
- Όταν η εναπομένουσα χωρητικότητα της μπαταρίας είναι χαμηλή:
Επαναφορτίστε τη μπαταρία.

Δείκτης εναπομένουσας χωρητικότητας μπαταρίας (μόνο για τα μοντέλα με Μπαταρία AP-3622)

Η Μπαταρία AP-3622 είναι εφοδιασμένη με τον δείκτη εναπομένουσας χωρητικότητας μπαταρίας. (Εικ. 5)
Πατήστε το κουμπί CHECK (ΕΛΕΓΧΟΣ) για να δείτε την εναπομένουσα χωρητικότητα της μπαταρίας. Οι ενδεικτικές λυχνίες θα ανάψουν για περίπου τρία δευτερόλεπτα.

Ενδεικτικές λυχνίες		Εναπομένουσα χωρητικότητα
Αναμμένο	Σβηστό	
E	F	70% έως 100%
		45% έως 70%
		20% έως 45%
		0% έως 20%
		Φορτίστε τη μπαταρία.
		Η μπαταρία μπορεί να δυσλειτουργεί.

- Όταν μόνο η χαμηλότερη ενδεικτική λυχνία (δίπλα στην "E") αναβοσβήνει, ή εφόσον δεν ανάβει καμιά από τις ενδεικτικές λυχνίες, η χωρητικότητα της μπαταρίας έχει εξαντληθεί, οπότε το εργαλείο δεν λειτουργεί. Σε αυτές τις περιπτώσεις, φορτίστε τη μπαταρία ή αντικαταστήστε την άδεια μπαταρία με μια πλήρως φορτισμένη.
- Όταν δύο ή περισσότερες ενδεικτικές λυχνίες δεν ανάβουν ακόμη και μετά την ολοκλήρωση της φόρτισης, η μπαταρία έχει φτάσει στο τέλος της διάρκειας ζωής της.
- Όταν ανάβουν εναλλακτικά οι δύο ανώτερες και κάτω δύο κατώτερες ενδεικτικές λυχνίες, η μπαταρία μπορεί να παρουσιάζει βλάβη. Επικοινωνήστε με το τοπικό εξουσιοδοτημένο κέντρο τεχνικών υπηρεσιών της Dolmar.

ΣΗΜΕΙΩΣΗ:

- Η αναφερόμενη χωρητικότητα μπορεί να είναι χαμηλότερη από το πραγματικό επίπεδο κατά τη διάρκεια χρήσης ή αμέσως μετά τη χρήση του εργαλείου.
- Ανάλογα με τις συνθήκες χρήσης και τη θερμοκρασία περιβάλλοντος, η ένδειξη μπορεί να διαφέρει ελαφρώς από την πραγματική χωρητικότητα.

ΣΥΝΑΡΜΟΛΟΓΗΣΗ

⚠ ΠΡΟΣΟΧΗ:

- Να βεβαιώνετε πάντοτε ότι έχετε σβήσει το εργαλείο και έχετε βγάλει την μπαταρία πριν εκτελέσετε οποιαδήποτε εργασία σε αυτό.

Προσαρμογές μπαταρίας (Αξεσουάρ) (Εικ. 6 και 7)

⚠ ΠΡΟΣΟΧΗ:

- Πριν από τη χρήση της μπαταρίας, διαβάστε όλες τις οδηγίες για τα εργαλεία που χρησιμοποιούν μπαταρία.
- Κατά τη φόρτιση μιας μπαταρίας, πρώτα αφαιρέστε την από τον προσαρμογέα και στη συνέχεια φορτίστε την. Δεν επιτρέπεται η φόρτιση της μπαταρίας όταν γίνεται χρήση του προσαρμογέα της μπαταρίας.

Τοποθέτηση ή αφαίρεση του προσαρμογέα μπαταρίας

- Πάντοτε να σβήνετε το εργαλείο πριν βάλετε ή βγάλετε τον προσαρμογέα μπαταρίας.
- Για να αφαιρέσετε τη μπαταρία, βγάλετε την από το εργαλείο καθώς ολισθαίνετε το κουμπί στον προσαρμογέα.
- Για να εισάγετε τον προσαρμογέα της μπαταρίας, ευθυγραμμίστε τη γλωπίδα στον προσαρμογέα της μπαταρίας με την εγκοπή στη θήκη και ολισθήστε τον στη θέση του. Πάντοτε να τον τοποθετείτε έως το τέρμα, δηλαδή έως όπου ασφαλίζει στη θέση και ακουστεί ένας χαρακτηριστικός ήχος “κλικ”. Αν φαίνεται το κόκκινο τμήμα στην άνω πλευρά του κουμπιού, δεν είναι πλήρως ασφαλισμένος. Εισάγετέ τον πλήρως για να μη φαίνεται το κόκκινο τμήμα. Σε αντίθετη περίπτωση, μπορεί να πέσει κατά λάθος από το εργαλείο και να τραυματίσει εσάς ή κάποιον παρευρισκόμενο.
- Να μη χρησιμοποιείτε δύναμη όταν τοποθετείτε τον προσαρμογέα της μπαταρίας. Αν ο προσαρμογέας της μπαταρίας δεν ολισθαίνει με ευκολία, τότε δεν τον έχετε εισάγει σωστά.
- Ο τρόπος αφαίρεσης ή τοποθέτησης μιας μπαταρίας από ή πάνω στον προσαρμογέα μπαταρίας είναι ο ίδιος με αυτόν που εκτελείται για την τοποθέτηση ή την αφαίρεση της μπαταρίας στα εργαλεία.
- Πατήστε προς τα κάτω το άγκιστρο με ασφάλεια όσο περισσότερο γίνεται και στη συνέχεια η μπαταρία αγκιστρώνεται στη ζώνη ή σε παρόμοια αντικείμενα.

Γάντζος καλωδίου μπράτσου (Αξεσουάρ)

⚠ ΠΡΟΣΟΧΗ:

- Μην συνδέσετε αλλού το στήριγμα του γάντζου του καλωδίου του μπράτσου εκτός από το καλώδιο προέκτασης. Αν δεν το τηρείτε αυτό μπορεί να προκληθεί ατύχημα ή προσωπικός τραυματισμός. Η χρήση του γάντζου του καλωδίου του μπράτσου βοηθά στην ελαχιστοποίηση του κινδύνου της απόρριμης αποκοπής του καλωδίου προέκτασης λόγω της χαλαρότητας του καλωδίου προέκτασης. **(Εικ. 8)** Στερεώστε καλά τη ζώνη του γάντζου του καλωδίου του μπράτσου τοποθετώντας την γύρω από το μπράτσο σας και περάστε το καλώδιο προέκτασης μέσω από το στήριγμα. Το μήκος της ζώνης του γάντζου του καλωδίου του μπράτσου μπορεί να προσαρμοστεί.

ΣΗΜΕΙΩΣΗ:

- Μην περάσετε το καλώδιο προέκτασης μέσα από τη ζώνη.
- Μην πιέζετε το άνοιγμα του στηρίγματος. Αν δεν το τηρήσετε αυτό μπορεί να προκαλέσετε την παραμόρφωση και την φθορά του.

ΛΕΙΤΟΥΡΓΙΑ

⚠ ΠΡΟΣΟΧΗ:

- Να προσέξετε να μην έρθετε σε επαφή κατά τύχη με ένα μεταλλικό φράκτη ή με άλλα σκληρά αντικείμενα κατά το κλάδεμα. Η λεπίδα θα σπάσει και μπορεί να προκαλέσει σοβαρό τραυματισμό.
- Το υπερβολικό τέντωμα με το ψαλίδι μπροντούρας, ιδιαίτερα από μια σκάλα είναι υπερβολικά επικίνδυνο.

Να μην εργάζεστε από μια κινούμενη ή ασταθή θέση. **(Εικ. 9)**

Να μην προσπαθήσετε να κόψετε κλαδιά με διάμετρο πάχους μεγαλύτερη από 10 mm με αυτό το ψαλίδι. Αυτά θα πρέπει να κοπούν πρώτα με ψαλίδα μέχρι το επίπεδο του κλαδέματος του φράκτη.

⚠ ΠΡΟΣΟΧΗ:

- Μην κόβετε ξερά δένδρα ή παρόμοια σκληρά αντικείμενα. Αν δεν τηρήσετε αυτή την οδηγία, μπορεί να προκληθεί ζημιά στο εργαλείο. **(Εικ. 10)**

Κρατήστε το ψαλίδι με τα δύο σας χέρια και τραβήξτε τη σκανδάλη-διακόπτη Α ή Β και μετακινήστε το μπροστά από το σώμα σας. **(Εικ. 11)**

Για τη βασική λειτουργία, στρέψτε τις λεπίδες προς την διεύθυνση κλαδέματος και κινήστε το ήρεμα και αργά με μια ταχύτητα 3 - 4 δευτερολέπτων το μέτρο. **(Εικ. 12)** Η ομοιόμορφη κοπή της κορυφής ενός φράκτη, γίνεται ευκολότερη με το δέσιμο μιας κλωστής στο επιθυμητό ύψος και το κλάδεμα κατά μήκος της, χρησιμοποιώντας την ως γραμμή αναφοράς. **(Εικ. 13)**

Η τοποθέτηση του συλλέκτη θραυσμάτων (αξεσουάρ) στο εργαλείο κατά το κλάδεμα του φράκτη σε ευθεία μπορεί να βοηθήσει στην αποφυγή του πέταγματος των κομμένων φύλλων. **(Εικ. 14)**

Περιστρέψτε τη λαβή για εύκολο κράτημα πριν την χρήση. Ανατρέξτε στην ενότητα με τίτλο “Θέση στερέωσης της λαβής”.

Για την ίσια κοπή των πλαϊνών του φράκτη, θα βοηθηθείτε εάν κόβετε από κάτω προς τα πάνω. **(Εικ. 15)**

Να κλαδεύετε ένα πυξή ή ένα ροδόδεντρο από τη βάση προς τα επάνω ώστε να γίνει μια καλή δουλειά και να δημιουργηθεί μια ωραία εμφάνιση.

Τοποθέτηση ή αφαίρεση του συλλέκτη θραυσμάτων (αξεσουάρ)

⚠ ΠΡΟΣΟΧΗ:

- Να βεβαιώνετε πάντοτε ότι έχετε σβήσει το εργαλείο και έχετε βγάλει την μπαταρία πριν την τοποθέτηση ή την αφαίρεση του συλλέκτη θραυσμάτων.

ΣΗΜΕΙΩΣΗ:

- Κατά την αντικατάσταση του συλλέκτη θραυσμάτων, πάντοτε να φοράτε γάντια έτσι ώστε τα χέρια σας και το πρόσωπό σας να μην έρχονται σε άμεση επαφή με τη λεπίδα. Αν δεν τηρήσετε αυτή την οδηγία, μπορεί να προκαληθεί προσωπικός τραυματισμός.

- Πάντοτε να φροντίζετε να αφαιρείτε το κάλυμμα των λεπίδων πριν την εγκατάσταση του συλλέκτη θραυσμάτων.

- Ο συλλέκτης θραυσμάτων δέχεται κομμένα φύλλα και μετριάξει το πέταγμα των φύλλων. Μπορείτε να τον τοποθετήσετε σε οποιαδήποτε πλευρά του εργαλείου. **(Εικ. 16)**

Πιέστε τον συλλέκτη θραυσμάτων στις λεπίδες ψαλιδιού έτσι ώστε οι σχισμές του να επικαλύπτουν τα παξιμάδια των λεπίδων ψαλιδιού. Τη στιγμή αυτή, φροντίστε ώστε ο συλλέκτης θραυσμάτων να μην έρχεται σε επαφή με το συλλέκτη κλαδιών στην κορυφή των λεπίδων ψαλιδιού. **(Εικ. 17)**

Τη στιγμή αυτή, πρέπει να τοποθετηθεί ο συλλέκτης θραυσμάτων ώστε τα άγκιστρα να ταιριάξουν μέσα στις αυλακώσεις στο συγκρότημα της λεπίδας ψαλιδιού. **(Εικ. 18)**

Για να βγάλετε τον συλλέκτη θραυσμάτων, πιέστε το μοχλό του και στις δυο πλευρές έτσι ώστε να απασφαλίσουν τα άγκιστρα. **(Εικ. 19)**

⚠️ ΠΡΟΣΟΧΗ:

- Το κάλυμμα των λεπίδων (βασικός εξοπλισμός) δεν μπορεί να τοποθετηθεί πάνω στο εργαλείο με εγκαταστημένο το συλλέκτη θραυσμάτων. Πριν από την μεταφορά ή την αποθήκευση, αφαιρέστε τον συλλέκτη θραυσμάτων και μετά τοποθετήστε το κάλυμμα των λεπίδων για να αποφύγετε την έκθεση των λεπίδων.

ΣΗΜΕΙΩΣΗ:

- Ελέγξτε ότι ο συλλέκτης θραυσμάτων έχει τοποθετηθεί σταθερά πριν από την χρήση.
- Ποτέ να μην προσπαθήσετε να αφαιρέσετε τον συλλέκτη θραυσμάτων με τη χρήση υπερβολικής βίας καθώς τα άγκιστρα του είναι ασφαλισμένα στις αυλακώσεις στη μονάδα των λεπίδων. Η χρήση υπερβολικής δύναμης μπορεί να τον καταστρέψει.

ΣΥΝΤΗΡΗΣΗ

⚠️ ΠΡΟΣΟΧΗ:

- Να βεβαιώνετε πάντοτε ότι έχετε σβήσει το εργαλείο και έχετε βγάλει την μπαταρία πριν εκτελέσετε οποιαδήποτε εργασία ελέγχου ή συντήρησης σε αυτό.

Καθαρισμός του εργαλείου

Καθαρίστε το εργαλείο σκουπίζοντας την σκόνη με ένα στεγνό πανί ή με ένα πανί βουτηγμένο σε σαπουνόνερο.

⚠️ ΠΡΟΣΟΧΗ:

- Μην χρησιμοποιήσετε βενζίνη, βενζόλη, διαλυτικό, αλκοόλη ή κάτι παρόμοιο. Μπορεί να προκληθεί αποχρωματισμός, παραμόρφωση ή ρωγμές.

Συντήρηση λεπίδας

Επαλείψτε την λεπίδα πριν και μια φορά κάθε μια ώρα κατά τη διάρκεια της λειτουργίας, χρησιμοποιώντας μηχανικό λάδι ή κάτι παρόμοιο.

ΣΗΜΕΙΩΣΗ:

- Πριν την επάλειψη της λεπίδας, αφαιρέστε το συλλέκτη θραυσμάτων.

Μετά τη λειτουργία, αφαιρέστε την σκόνη από τις δυο πλευρές της λεπίδας με μια συρματόβουρτσα, σκουπίστε με ένα πανί και μετά βάλτε αρκετό λάδι χαμηλού ιξυδούς, όπως μηχανικό λάδι, κτλ. και λιπαντικό ψεκασμού.

⚠️ ΠΡΟΣΟΧΗ:

- Μην πλύνετε τις λάμες με νερό. Αν δεν τηρήσετε αυτή την οδηγία, μπορεί να προκληθεί σκουριά ή φθορά στο εργαλείο.

Αφαίρεση ή τοποθέτηση της λεπίδας ψαλιδιού

⚠️ ΠΡΟΣΟΧΗ:

- Πριν από την αφαίρεση ή την τοποθέτηση της λεπίδας ψαλιδιού, πάντοτε να φροντίζετε να απενεργοποιείτε το εργαλείο και να αφαιρείτε την μπαταρία.
- Κατά την αντικατάσταση της λεπίδας ψαλιδιού, πάντοτε να φοράτε γάντια χωρίς να αφαιρέσετε το κάλυμμα των λεπίδων έτσι ώστε τα χέρια σας και το πρόσωπό σας

να μην έρχονται σε άμεση επαφή με τη λεπίδα. Αν δεν τηρήσετε αυτή την οδηγία, μπορεί να προκληθεί προσωπικός τραυματισμός.

ΣΗΜΕΙΩΣΗ:

- Μην σκουπίσετε το γράσο από το γρανάζι και το στρόφαλο. Αν δεν τηρήσετε αυτή την οδηγία, μπορεί να προκληθεί ζημιά στο εργαλείο.
- Για τον ειδικό τρόπο αφαίρεσης και τοποθέτησης των λεπίδων ψαλιδιού ανατρέξτε στο πίσω μέρος της συσκευασίας για τις βοηθητικές λεπίδες ψαλιδιού.

Αφαίρεση των λεπίδων ψαλιδιού

Αναστρέψτε το εργαλείο και ξεσφίξτε τις τέσσερις βίδες. **(Εικ. 20)**

ΣΗΜΕΙΩΣΗ:

- Προσέξτε να μην λερώσετε τα χέρια σας επειδή υπάρχει γράσο στην επιφάνεια κίνησης της λεπίδας ψαλιδιού.

Αφαιρέστε το κάτω κάλυμμα. **(Εικ. 21)**

Αφαιρέστε το έλασμα. **(Εικ. 22)**

Τοποθετήστε τον στρόφαλο υπό γωνία όπως δείχνεται στην εικόνα με ένα σταυροκατάβιδο. **(Εικ. 23)**

Αφαιρέστε τις δυο βίδες από τις λεπίδες ψαλιδιού και θα βγει έξω το συγκρότημα των λεπίδων ψαλιδιού. **(Εικ. 24)**

⚠️ ΠΡΟΣΟΧΗ:

- Επιστρέψτε το γρανάζι στην αρχική του θέση όπως ήταν τοποθετημένο, εάν βγει έξω κατά λάθος.

Τοποθέτηση της Λεπίδας ψαλιδιού

Ετοιμάστε τις 4 βίδες που έχουν αφαιρεθεί (Για το κάτω κάλυμμα), τις 2 βίδες (Για τη λεπίδα ψαλιδιού), το έλασμα, το κάτω κάλυμμα, και τις νέες λεπίδες ψαλιδιού.

Προσαρμόστε τη θέση του στροφάλου όπως απεικονίζεται στην εικόνα. Τη στιγμή αυτή, βάλτε λίγο γράσο που παρέχεται με τις νέες λεπίδες ψαλιδιού στην περιφέρεια του στροφάλου. **(Εικ. 25)**

Αλληλεπικαλύψτε την ωοειδή τρύπα στην πάνω λεπίδα με αυτή στην κάτω. **(Εικ. 26)**

Αφαιρέστε το κάλυμμα των λεπίδων από τις παλιές λεπίδες ψαλιδιού και ταιριάξτε το πάνω στις νέες για τον εύκολο χειρισμό κατά την αντικατάσταση των λεπίδων. **(Εικ. 27)**

Τοποθετήστε τις καινούργιες λεπίδες ψαλιδιού πάνω στο εργαλείο έτσι ώστε οι ωοειδείς τρύπες των λεπίδων ψαλιδιού να ταιριάξουν πάνω στο στρόφαλο.

Αλληλεπικαλύψτε τις τρύπες των λεπίδων ψαλιδιού με τις τρύπες των βιδών του εργαλείου και μετά στερεώστε τις με τις δυο βίδες. **(Εικ. 28)**

Ελέγξτε εάν ο στρόφαλος περιστρέφεται ομαλά με ένα σταυροκατάβιδο. **(Εικ. 29)**

Τοποθετήστε το έλασμα και το κάτω κάλυμμα στο εργαλείο. Σφίξτε την βίδα γερά.

ΣΗΜΕΙΩΣΗ:

- Δεν υπάρχει διαφοροποίηση μεταξύ της πάνω και της κάτω μεριάς του ελάσματος.

Αφαιρέστε το κάλυμμα των λεπίδων και περιστρέψτε το εργαλείο για να ελέγξετε εάν κινείται κατάλληλα.

ΣΗΜΕΙΩΣΗ:

- Εάν οι λεπίδες ψαλιδιού δεν λειτουργούν ομαλά τότε δεν είναι κατάλληλο το ταιρίασμα μεταξύ των λεπίδων και του στροφάλου. Εκτελέστε ξανά από την αρχή.

Αλλαγή καρβουνάκιών (Εικ. 30)

Να αφαιρείτε και να ελέγχετε τακτικά τα καρβουνάκια. Να αντικαθιστάτε τα καρβουνάκια όταν έχουν φθαρεί έως την ένδειξη ορίου. Να διατηρείτε τα καρβουνάκια καθαρά και ελεύθερα για να γλιστρούν στις υποδοχές. Πρέπει να αλλάζετε ταυτόχρονα και τα δύο καρβουνάκια. Να χρησιμοποιείτε μόνο καρβουνάκια ίδιου τύπου. (Εικ. 31) Τοποθετήστε την άκρη ενός πλακέ κατασιδιδίου μέσα στην εγκοπή του εργαλείου και σηκώστε το κάλυμμα κατακαίου υποδοχής για να το βγάλετε. (Εικ. 32) Με τη βοήθεια ενός κατασιδιδίου, βγάλτε τα καπάκια υποδοχής για τα καρβουνάκια. Βγάλτε τα φθαρμένα καρβουνάκια, τοποθετήστε τα καινούργια και ασφαλίστε τα καπάκια υποδοχής για τα καρβουνάκια. Τοποθετήστε ξανά το κάλυμμα κατακαίου υποδοχής στο εργαλείο.

Αποθήκευση

Η τρύπα του γάντζου στη βάση του καλύμματος των λεπίδων είναι βολική για το κρέμασμα του εργαλείου από ένα καρφί ή μια βίδα στον τοίχο. (Εικ. 33) Αφαιρέστε τη μπαταρία και τοποθετήστε το κάλυμα των λεπίδων πάνω στις λεπίδες ψαλιδίου έτσι ώστε οι λεπίδες να μην είναι εκτεθειμένες. Αποθηκεύστε προσεκτικά το εργαλείο σε χώρο όπου βρίσκεται μακριά από την πρόσβαση των παιδιών. Αποθηκεύστε το εργαλείο σε ένα χώρο που δεν είναι εκτεθειμένος στο νερό ή στη βροχή. Για να διατηρείται η ΑΣΦΑΛΕΙΑ και η ΑΞΙΟΠΙΣΤΙΑ του προϊόντος, οι εργασίες επισκευής, καθώς και οποιαδήποτε άλλη εργασία συντήρησης ή ρύθμισης, θα πρέπει να εκτελούνται σε εξουσιοδοτημένα κέντρα εξυπηρέτησης της DOLMAR, και πάντοτε με τη χρήση ανταλλακτικών της DOLMAR.

ΠΡΟΑΙΡΕΤΙΚΑ ΑΞΕΣΟΥΑΡ

⚠️ ΠΡΟΣΟΧΗ:

- Συνιστάται η χρήση αυτών των αξεσουάρ ή εξαρτημάτων με το εργαλείο της Dolmar, όπως περιγράφεται στο παρόν εγχειρίδιο. Αν χρησιμοποιήσετε άλλα αξεσουάρ ή εξαρτήματα μπορεί να παρουσιαστεί κίνδυνος για πρόκληση τραυματισμού προσώπων. Να χρησιμοποιείτε τα αξεσουάρ και τα εξαρτήματα μόνο για το σκοπό για τον οποίο προορίζονται.

Αν χρειάζεστε κάποια βοήθεια ή περισσότερες πληροφορίες σχετικά με τα αξεσουάρ αυτά, απευθυνθείτε στο πλησιέστερο κέντρο εξυπηρέτησης της Dolmar.

- Κάλυμμα λεπίδων
- Συγκρότημα λεπίδων ψαλιδίου
- Διάφοροι τύποι γνήσιων μπαταριών και φορτιστών της Dolmar
- Προσαρμογέας μπαταρίας
- Γάντζος καλωδίου μπράτσου (για να χρησιμοποιείται μαζί με τον προσαρμογέα της μπαταρίας)
- Συλλέκτης θραυσμάτων

ΣΗΜΕΙΩΣΗ:

- Ορισμένα από τα στοιχεία της λίστα μπορεί να περιέχονται στην συσκευασία του εργαλείου ως κανονικά αξεσουάρ. Αυτά ενδέχεται να διαφέρουν από χώρα σε χώρα.

Θορύβος

ENG905-1

Το σύνθηρος σταθμισμένο επίπεδο θορύβου που έχει καθοριστεί σύμφωνα με την EN60745:

Μοντέλο AH-3655, AH-3656

Επίπεδο ηχητικής πίεσης (L_{pA}): 85,1 dB (A)
Επίπεδο ηχητικής ισχύος (L_{WA}): 93,1 dB (A)
Αβεβαιότητα (K): 2,5 dB (A)

Μοντέλο AH-3665, AH-3666

Επίπεδο ηχητικής πίεσης (L_{pA}): 84,3 dB (A)
Επίπεδο ηχητικής ισχύος (L_{WA}): 92,3 dB (A)
Αβεβαιότητα (K): 2,5 dB (A)

Να φοράτε ωτοασπίδες.

Δόνηση

ENG900-1

Η συνολική τιμή δόνησης (διανυσματικό άθροισμα τριών αξόνων) που έχει καθοριστεί σύμφωνα με την EN60745:

Μοντέλο AH-3655, AH-3656

Κατάσταση λειτουργίας: κρουστικό σφίξιμο συνδέσμων στη μέγιστη ικανότητα του εργαλείου
Εκπομπή δόνησης (a_{h1}): 2,5 m/s²
Αβεβαιότητα (K): 1,5 m/s²

Μοντέλο AH-3665, AH-3666

Κατάσταση λειτουργίας: κρουστικό σφίξιμο συνδέσμων στη μέγιστη ικανότητα του εργαλείου
Εκπομπή δόνησης (a_{h1}): 3,0 m/s²
Αβεβαιότητα (K): 1,5 m/s²

ENG901-1

- Η δηλωθείσα τιμή των παραγομένων κραδασμών έχει καταμετρηθεί σύμφωνα με την τυποποιημένη μέθοδο δοκιμασίας και μπορεί να χρησιμοποιηθεί για την σύγκριση ενός εργαλείου με ένα άλλο.
- Η δηλωθείσα τιμή των παραγομένων κραδασμών μπορεί επίσης να χρησιμοποιηθεί για μια προκαταρκτική αξιολόγηση της έκθεσης στους κραδασμούς.

⚠️ ΠΡΟΕΙΔΟΠΟΙΗΣΗ:

- Η εκπομπή κραδασμών κατά τη διάρκεια της πραγματικής χρήσης του ηλεκτρικού εργαλείου μπορεί να διαφέρει από τη δηλωθείσα τιμή των εκπομπών, ανάλογα με τον τρόπο με τον οποίο χρησιμοποιείται το εργαλείο.
- Φροντίστε να λάβετε τα μέτρα ασφαλείας που απαιτούνται για την προστασία του χρήστη που βασίζονται σε μια εκτίμηση της έκθεσης σε πραγματικές συνθήκες χρήσης (λαμβάνοντας υπόψη όλα τα μέρη του κύκλου λειτουργίας, όπως είναι οι περιπτώσεις κατά τις οποίες το εργαλείο είναι απενεργοποιημένο και όταν λειτουργεί στο ρελαντί επιπρόσθετως του χρόνου κατά τον οποίο το εργαλείο βρίσκεται σε χρήση).

Για Ευρωπαϊκές χώρες μόνο

ENH032-2

ΕΚ Δήλωση συμμόρφωσης

Οι υπογεγραμμένοι, **Tamiro Kishima** και **Rainer Bergfeld**, λαμβάνοντας εξουσιοδότηση από την **Dolmar GmbH**, δηλώνουν ότι το **μηχάνημα(τα) της DOLMAR:**

Ονομασία μηχανήματος:

Ψαλίδι Μπορντούρας Μπαταρίας

Αρ. Μοντέλου/ Τύπος: AH-3655, AH-3656, AH-3665, AH-3666

Προδιαγραφές: δείτε τον πίνακα "ΠΡΟΔΙΑΓΡΑΦΕΣ".

αποτελούν παραγωγή σε σειρά και

Συμμορφώνονται με τις ακόλουθες Ευρωπαϊκές

Οδηγίες:

2000/14/ΕΚ, 2006/42/ΕΚ

Και κατασκευάζεται σύμφωνα με τα παρακάτω πρότυπα ή τυποποιημένα έγγραφα:

EN60745

Τα τεχνικά έγγραφα βρίσκονται στο αρχείο στην:

Dolmar GmbH,
Jenfelder Strase 38, Abteilung FZ,
D-22045 Hamburg

Η διαδικασία εκτίμησης συμμόρφωσης που απαιτείται από την Οδηγία 2000/14/ΕΚ εκτελέστηκε σύμφωνα με το Παράρτημα V.

Μοντέλο AH-3655, AH-3656

Μετρημένο Επίπεδο Ηχητικής Ισχύος: 93,1 dB (A)

Εγγυημένο Επίπεδο Ηχητικής Ισχύος: 94 dB (A)

Μοντέλο AH-3665, AH-3666

Μετρημένο Επίπεδο Ηχητικής Ισχύος: 92,4 dB (A)

Εγγυημένο Επίπεδο Ηχητικής Ισχύος: 94 dB (A)

30. 11. 2009



Tamiro Kishima
Διευθύνων Σύμβουλος



Rainer Bergfeld
Διευθύνων Σύμβουλος

DOLMAR



DOLMAR GmbH
Postfach 70 04 20
D-22004 Hamburg
Germany
<http://www.dolmar.com>

884974B936

ALA