

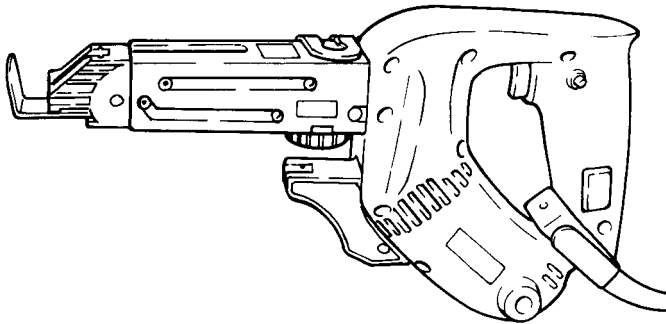
Makita

アメリカ

Auto Feed Screwdriver

MODEL 6832
Variable Speed / Reversing

INSTRUCTION MANUAL



SPECIFICATIONS

Screw strip	No load speed (RPM)	Overall length	Net weight
4 mm x 25 mm — 57 mm (5/32" x 1" — 2-1/4")	0 — 2,800	372 mm (14-5/8")	2.0 kg (4.4 lbs)

* Manufacturer reserves the right to change specifications without notice.

* Note: Specifications may differ from country to country.

WARNING: For your personal safety, READ and UNDERSTAND before using.

SAVE THESE INSTRUCTIONS FOR FUTURE REFERENCE.

IMPORTANT SAFETY INSTRUCTIONS

(For All Tools)

WARNING: WHEN USING ELECTRIC TOOLS, BASIC SAFETY PRECAUTIONS SHOULD ALWAYS BE FOLLOWED TO REDUCE THE RISK OF FIRE, ELECTRIC SHOCK, AND PERSONAL INJURY, INCLUDING THE FOLLOWING:

READ ALL INSTRUCTIONS.

- 1. KEEP WORK AREA CLEAN.** Cluttered areas and benches invite injuries.
- 2. CONSIDER WORK AREA ENVIRONMENT.** Don't use power tools in damp or wet locations. Keep work area well lit. Don't expose power tools to rain. Don't use tool in presence of flammable liquids or gases.
- 3. KEEP CHILDREN AWAY.** All visitors should be kept away from work area. Don't let visitors contact tool or extension cord.
- 4. STORE IDLE TOOLS.** When not in use, tools should be stored in dry, and high or locked-up place — out of reach of children.
- 5. DON'T FORCE TOOL.** It will do the job better and safer at the rate for which it was intended.
- 6. USE RIGHT TOOL.** Don't force small tool or attachment to do the job of a heavy-duty tool. Don't use tool for purpose not intended; for example, don't use circular saw for cutting tree limbs or logs.
- 7. DRESS PROPERLY.** Don't wear loose clothing or jewelry. They can be caught in moving parts. Rubber gloves and non-skid footwear are recommended when working outdoors. Wear protective hair covering to contain long hair.
- 8. USE SAFETY GLASSES.** Also use face or dust mask if cutting operation is dusty.
- 9. DON'T ABUSE CORD.** Never carry tool by cord or yank it to disconnect from receptacle. Keep cord from heat, oil, and sharp edges.
- 10. SECURE WORK.** Use clamps or a vise to hold work. It's safer than using your hand and it frees both hands to operate tool.
- 11. DON'T OVERREACH.** Keep proper footing and balance at all times.
- 12. MAINTAIN TOOLS WITH CARE.** Keep tools sharp and clean for better and safer performance. Follow instructions for lubricating and changing accessories. Inspect tool cords periodically and if damaged, have repaired by authorized service facility. Inspect extension cords periodically and replace if damaged. Keep handles dry, clean, and free from oil and grease.
- 13. DISCONNECT TOOLS.** When not in use, before servicing, and when changing accessories, such as blades, bits, cutters.

- 14. **REMOVE ADJUSTING KEYS AND WRENCHES.** Form habit of checking to see that keys and adjusting wrenches are removed from tool before turning it on.
- 15. **AVOID UNINTENTIONAL STARTING.** Don't carry tool with finger on switch. Be sure switch is OFF when plugging in.
- 16. **EXTENSION CORDS.** Make sure your extension cord is in good condition. When using an extension cord, be sure to use one heavy enough to carry the current your product will draw. An undersized cord will cause a drop in line voltage resulting in loss of power and overheating. Table 1 shows the correct size to use depending on cord length and nameplate ampere rating. If in doubt, use the next heavier gage. The smaller the gage number, the heavier the cord.

TABLE 1 MINIMUM GAGE FOR CORD SETS

			Total Length of Cord in Feet			
			0 – 25	26 – 50	51 – 100	101 – 150
Ampere Rating More Than	–	Not More Than	A W G			
0	–	6	18	16	16	14
6	–	10	18	16	14	12
10	–	12	16	16	14	12
12	–	16	14	12	Not Recommended	

- 17. **OUTDOOR USE EXTENSION CORDS.** When tool is used outdoors, use only extension cords intended for use outdoors and so marked.
- 18. **STAY ALERT.** Watch what you are doing, use common sense. Don't operate tool when you are tired.
- 19. **CHECK DAMAGED PARTS.** Before further use of the tool, a guard or other part that is damaged should be carefully checked to determine that it will operate properly and perform its intended function. Check for alignment of moving parts, binding of moving parts, breakage of parts, mounting, and any other conditions that may affect its operation. A guard or other part that is damaged should be properly repaired or replaced by an authorized service center unless otherwise indicated elsewhere in this instruction manual. Have defective switches replaced by authorized service center. Don't use tool if switch does not turn it on and off.
- 20. **GUARD AGAINST ELECTRIC SHOCK.** Prevent body contact with grounded surfaces. For example; pipes, radiators, ranges, refrigerator enclosures.
- 21. **REPLACEMENT PARTS.** When servicing, use only identical replacement parts.
- 22. **POLARIZED PLUGS.** To reduce the risk of electric shock, this equipment has a polarized plug (one blade is wider than the other). This plug will fit in a polarized outlet only one way. If the plug does not fit fully in the outlet, reverse the plug. If it still does not fit, contact a qualified electrician to install the proper outlet. Do not change the plug in any way.

VOLTAGE WARNING: Before connecting the tool to a power source (receptacle, outlet, etc.) be sure the voltage supplied is the same as that specified on the nameplate of the tool. A power source with voltage greater than that specified for the tool can result in **SERIOUS INJURY to the user — as well as damage to the tool**. If in doubt, **DO NOT PLUG IN THE TOOL**. Using a power source with voltage less than the nameplate rating is harmful to the motor.

ADDITIONAL SAFETY RULES

1. Always be sure that the tool is switched off and unplugged before carrying out any work on the tool.
2. Use only Makita genuine driver bits and screw strips specified for this tool.
3. Always be sure you have a firm footing.
Be sure no one is below when using the tool in high locations.
4. Hold the tool firmly and squarely against the workpiece.
5. Keep hands away from rotating parts.
6. When driving into walls, floors or wherever “live” electrical wires may be encountered, **DO NOT TOUCH ANY METAL PARTS OF THE TOOL!**
Hold the tool only by the insulated grasping surfaces to prevent electric shock if you drive into a “live” wire.
7. Never lubricate the moving parts such as the feeder box. Malfunction of the tool may result.

SAVE THESE INSTRUCTIONS.

Adjusting the stopper plate (Fig. 1, 2, 3 & 4)

There are two kinds of stopper plates; one is for screws 25 mm (1") – 41 mm (1-5/8") long and the other is for screws 40 mm (1-9/16") – 57 mm (2-1/4") long. When the tool is shipped, the former stopper plate is installed on the casing and the latter stopper plate on the feeder box. Replace the stopper plate as necessary.

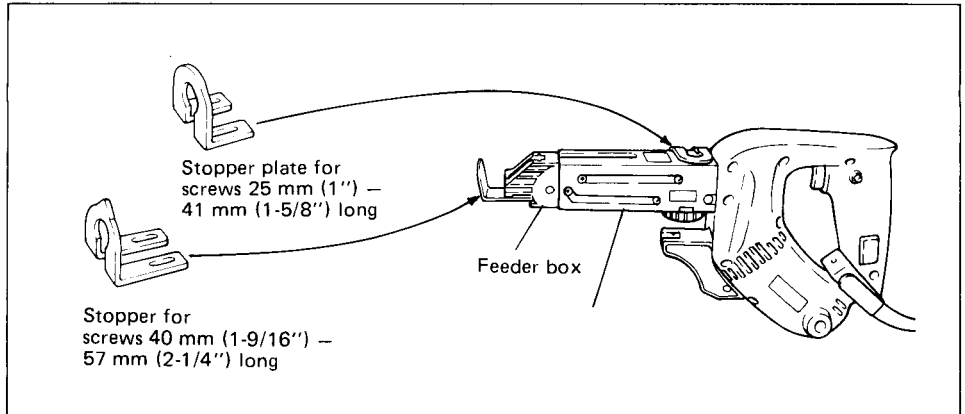


Fig. 1

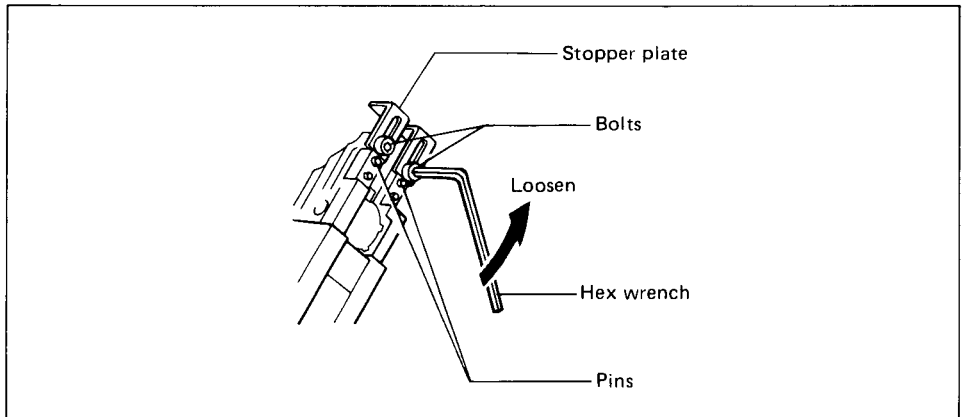


Fig. 2

Adjust the stopper plate in accordance with the screw length as shown in Fig. 3 & 4. If necessary, loosen the bolts which secure the stopper plate.

Fig. 3-1: For screws 25 mm (1") – 28 mm (1-1/8") long

Fig. 3-2: For screws 28 mm (1-1/8") – 35 mm (1-3/8") long

Fig. 3-3: For screws 35 mm (1-3/8") – 41 mm (1-5/8") long

Fig. 4-1: For screws 40 mm (1-9/16") – 44 mm (1-3/4") long

Fig. 4-2: For screws 44 mm (1-3/4") – 51 mm (2") long

Fig. 4-3: For screws 51 mm (2") – 57 mm (2-1/4") long

Then tighten the bolts to secure the stopper plate.

NOTE:

As for Fig. 3-2, 3-3, 4-2 & 4-3, secure the stopper plate with both ends contacting the pins on each side to keep the stopper plate from tilting.

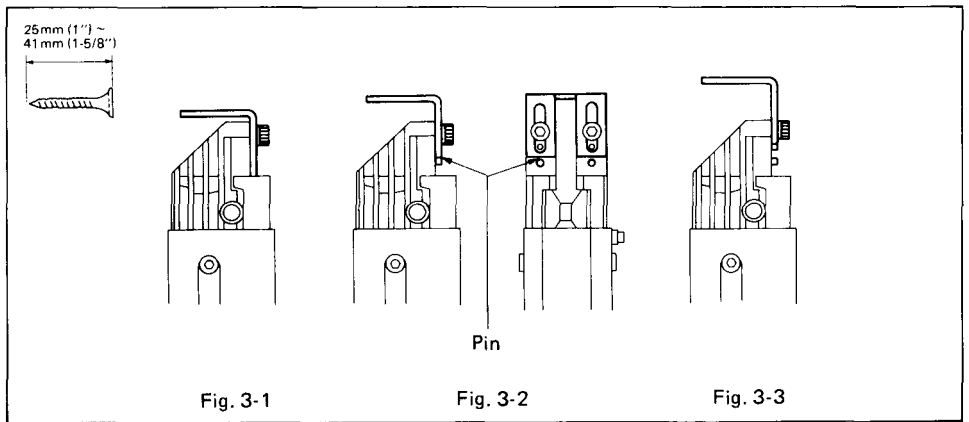


Fig. 3

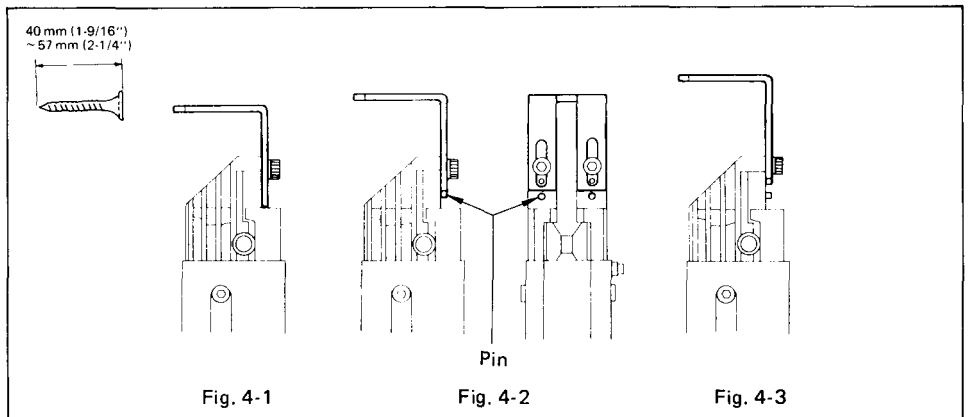


Fig. 4

Setting the slide plate (Fig. 5 & 6)

When driving screws 25 mm (1") – 41 mm (1-5/8") long, set the slide plate to the position shown in Fig. 5. To set the slide plate, press it in the direction of the arrow while depressing the screw in the center of the adjusting knob.

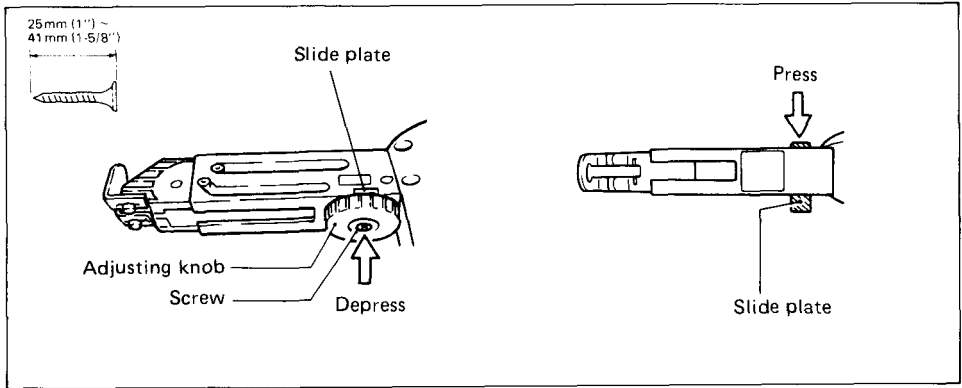


Fig. 5

When driving screws 40 mm (1-9/16") – 57 mm (2-1/4") long, set the slide plate to the position shown in Fig. 6. To set the slide plate, just press it in the direction of the arrow.

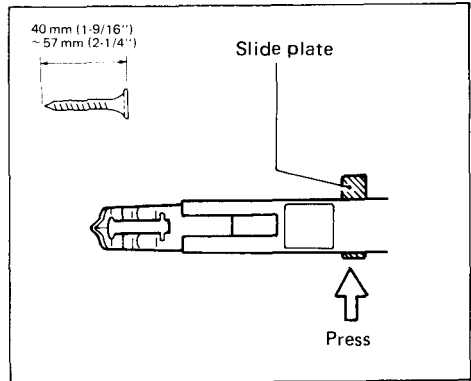


Fig. 6

Adjusting the driving depth (Fig. 7)

Depress the stopper plate as far as it will go. While keeping it in this position, turn the adjusting knob until the bit tip projects approx. 5 mm (3/16") from the stopper plate. Drive a trial screw. If the screw head projects above the surface of the workpiece, turn the adjusting knob in the + (plus) direction; if the screw head is countersunk, turn the adjusting knob in the - (minus) direction.

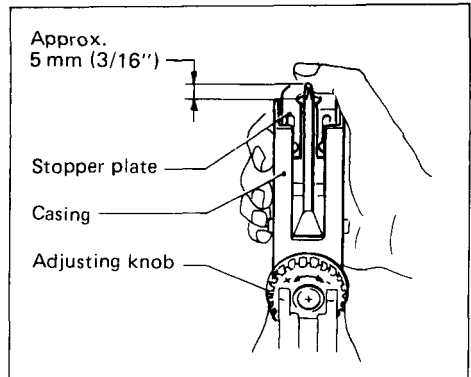


Fig. 7

Installing the screw strip (Fig. 8 & 9)

Insert the screw strip through the screw guide. Then insert it through the feeder box until the first screw reaches the position next to the driving position.

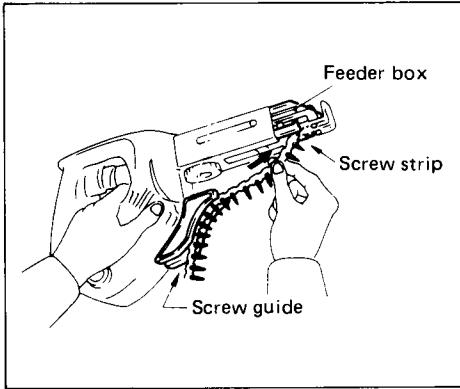


Fig. 8

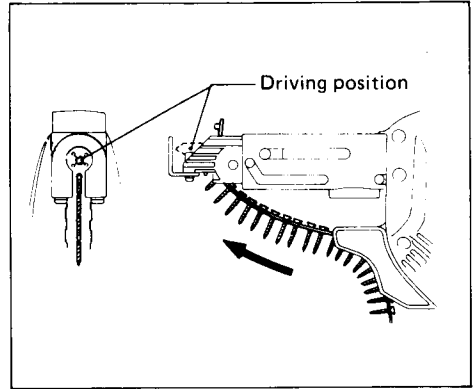


Fig. 9

Removing the screw strip (Fig. 10)

To remove the screw strip, just pull it out in the direction of the arrow.

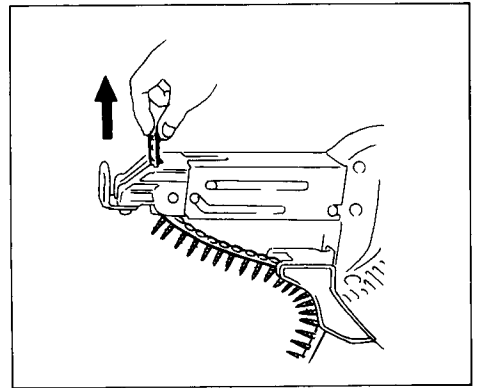


Fig. 10

Carry hook (Fig. 11)

The carry hook is convenient for hooking the tool to your belt. It can be installed on either side of the machine. To remove it, pull it out in the direction of the arrow while raising. To install the hook, push it down until it "clicks" into place on the tool.

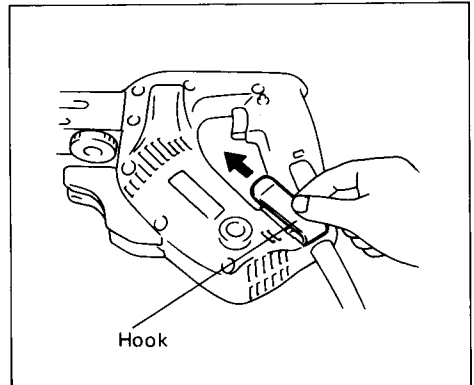


Fig. 11

Switch action (Fig. 12)

CAUTION:

Before plugging in the tool, always check to see that the switch trigger actuates properly and returns to the "OFF" position when released.

To start the tool, simply pull the trigger. Release the trigger to stop. For continuous operation, pull the trigger and then push in the lock button. To stop the tool from the locked position, pull the trigger fully, then release it.

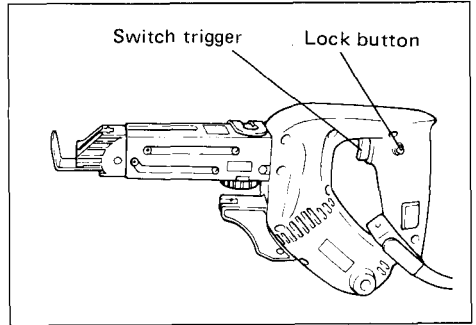


Fig. 12

Continuous running (Fig. 12)

Press the trigger and at the same time push the lock button. To stop this lock position, press the trigger and release it.

Variable trigger speed control (Fig. 12)

The speed varies from 0 to maximum, depending on the pressure applied to the trigger. The more the trigger is pressed, the faster the tool runs.

Reversing switch action (Fig. 13)

This tool has a reversing switch to change the direction of rotation. Press the upper side (FWD side) of the switch for clockwise rotation or the lower side (REV side) of the switch for counterclockwise rotation.

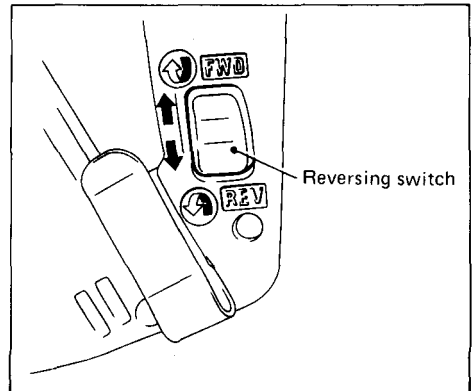


Fig. 13

CAUTION:

- Always check the direction of rotation before operation.
- Use the reversing switch only after the tool comes to a complete stop. Changing the direction of rotation before the tool stops may damage the tool.

Driving operation (Fig. 14)

Switch on the tool by pressing the trigger and at the same time pushing the lock button. Hold the tool squarely against the workpiece and apply forward pressure to the tool. The screw will be automatically carried to the driving position and driven into the workpiece.

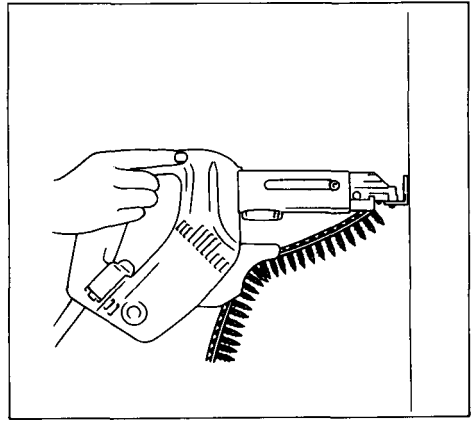


Fig. 14

IMPORTANT:

- Do not fire the tool without screws. This will damage the workpiece.
- If the feeder box becomes sluggish in operation, spray car wax (spray type wax) on its sliding surfaces. Never lubricate it.

Installing or removing the bit (Fig. 15 & 16)

CAUTION:

Always be sure that the tool is switched off and unplugged before installing or removing the bit.

Loosen the bolt which secures the casing. Pull out the casing in the direction of the arrow. Press the dust cover toward the plane bearing and pull out the bit. If the dust cover cannot be moved as far as the plane bearing, try it again after turning the bit slightly.

To install the bit, insert it into the socket while turning it slightly. After installing, always make sure that the bit is securely held in place by trying to pull it out.

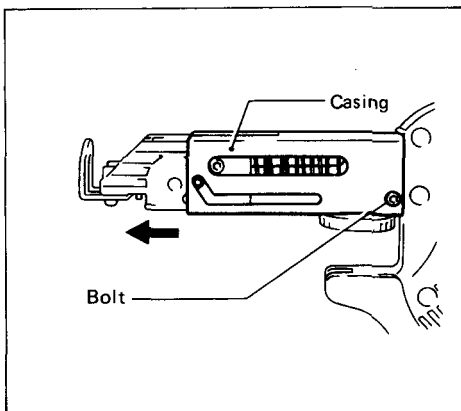


Fig. 15

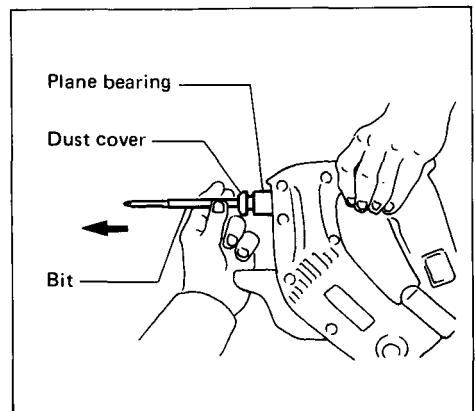


Fig. 16

**Extension handle
(optional accessory) (Fig. 17)**

Use of extension handle allows you to drive screws into floors while standing.

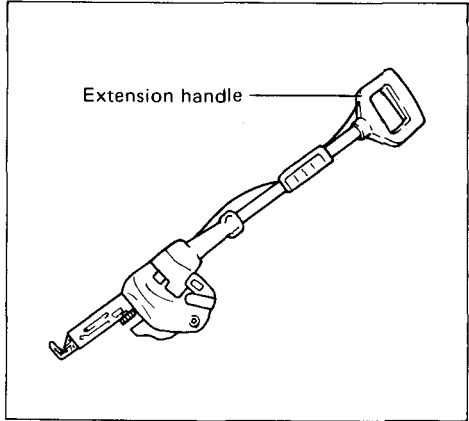


Fig. 17

MAINTENANCE

CAUTION:

Always be sure that the tool is switched off and unplugged before attempting to perform inspection or maintenance.

Replacing carbon brushes

Remove and check the carbon brushes regularly. Replace when they wear down to the limit mark. Keep the carbon brushes clean and free to slip in the holders. Both carbon brushes should be replaced at the same time. Use only identical carbon brushes.

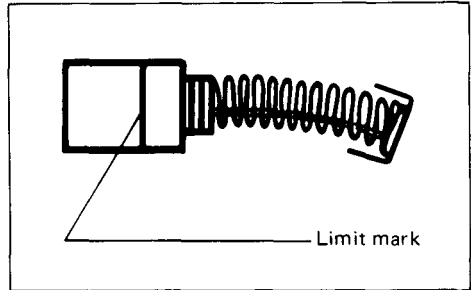


Fig. 18

Use a screwdriver to remove the brush holder caps. Take out the worn carbon brushes, insert the new ones and secure the brush holder caps.

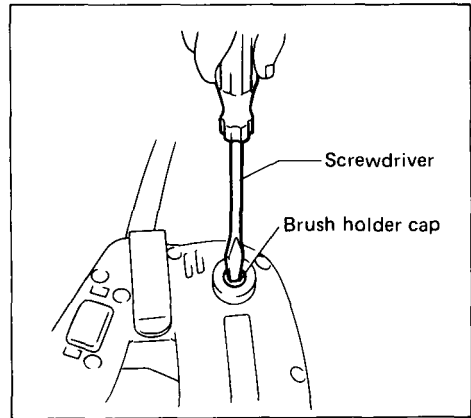


Fig. 19

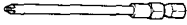
To maintain product SAFETY and RELIABILITY, repairs, any other maintenance or adjustment should be performed by Makita Authorized or Factory Service Centers, always using Makita replacement parts.

ACCESSORIES

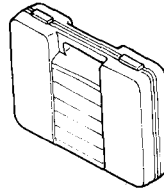
CAUTION:

These accessories or attachments are recommended for use with your Makita tool specified in this manual. The use of any other accessories or attachments might present a risk of injury to persons. The accessories or attachments should be used only in the proper and intended manner.

- **Phillips bit 2-132** (5 per pkg.)
Part No. A-16536



- **Plastic carrying case**
Part No. 824421-0



- **Stopper plate**
(for screw 25 mm (1") –
41 mm (1-5/8") long)
Part No. 344054-0



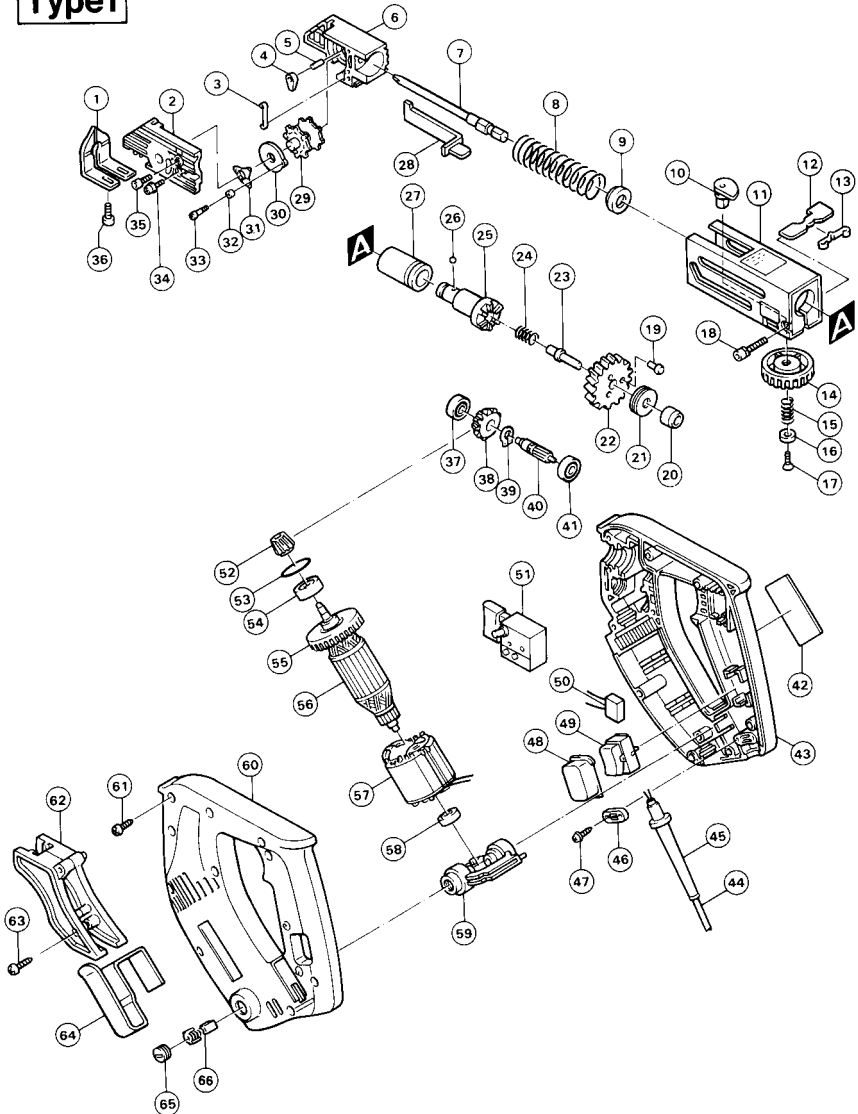
- **Hex wrench**
Part No. 783201-2



AUTO FEED SCREWDRIVER

Model 6832

Type 1



Note: The switch, noise suppressor and other part configurations may differ from country to country.

ITEM NO.	NO. USED	DESCRIPTION	ITEM NO.	NO. USED	DESCRIPTION
MACHINE			MACHINE		
1	1	Stopper Base	34	1	Pan Head Screw M4x18 (With Washer)
2	1	Box Cover Complete	35	2	Hex. Socket Head Bolt M4x8
3	1	Leaf Spring	36	2	Hex. Socket Head Bolt M4x8
4	1	Stopper	37	1	Ball Bearing 606
5	1	Pin 3	38	1	Spiral Bevel Gear 22
6	1	Feeder Box Complete	39	1	Retaining Ring 5 - 9
7	1	Phillips Bit No. 2 132L	40	1	Helical Gear 9
8	1	Compression Spring 21	41	1	Ball Bearing 606
9	1	Dust Cover	42	1	Name Plate
10	1	Shifter Pin	43	1	Housing Set (With Item 60)
11	1	Casing Complete	44	1	Cord
12	1	Slide Plate	45	1	Cord Guard
13	1	Leaf Spring	46	1	Strain Relief
14	1	Knob 40	47	2	Tapping Screw 4x18
15	1	Compression Spring 12	48	1	Dust Cover
16	1	Flat Washer 6	49	1	Switch
17	1	Countersunk Head Screw M4x12	51	1	Switch
18	1	Hex. Socket Head Bolt M4x25	52	1	Spiral Bevel Gear 15
19	3	Pin 4	53	1	O Ring 22.4
20	1	Plane Bearing 8	54	1	Ball Bearing 6000LLB
21	1	Thrust Needle Bearing 821	55	1	Fan 55
22	1	Helical Gear 59	56	1	ARMATURE ASSEMBLY (With Item 54, 55 & 58)
23	1	Pin 8	57	1	Field
24	1	Compression Spring 6	58	1	Ball Bearing 627LLB
25	1	Spindle	59	1	Holder Arm Complete
26	1	Steel Ball 3.5	60	1	Housing Set (With Item 43)
27	1	Plane Bearing 14	61	10	Tapping Screw BT4x20
28	1	Plate	62	1	Screw Guide
29	1	Ratchet Wheel	63	1	Tapping Screw BT4x20
30	1	Ratchet Disc	64	1	Hook
31	1	Leaf Spring	65	2	Brush Holder Cap
32	1	Sleeve 4	66	2	Carbon Brush
33	1	Flat Head Screw M3x5			

Note: The switch and other part specifications may differ from country to country.

MAKITA LIMITED ONE YEAR WARRANTY

Warranty Policy

Every Makita tool is thoroughly inspected and tested before leaving the factory. It is warranted to be free of defects from workmanship and materials for the period of ONE YEAR from the date of original purchase. Should any trouble develop during this one-year period, return the COMPLETE tool, freight prepaid, to one of Makita's Factory or Authorized Service Centers. If inspection shows the trouble is caused by defective workmanship or material, Makita will repair (or at our option, replace) without charge.

This Warranty does not apply where:

- repairs have been made or attempted by others;
- repairs are required because of normal wear and tear;
- The tool has been abused, misused or improperly maintained;
- alterations have been made to the tool.

IN NO EVENT SHALL MAKITA BE LIABLE FOR ANY INDIRECT, INCIDENTAL OR CONSEQUENTIAL DAMAGES FROM THE SALE OR USE OF THE PRODUCT. THIS DISCLAIMER APPLIES BOTH DURING AND AFTER THE TERM OF THIS WARRANTY.

MAKITA DISCLAIMS LIABILITY FOR ANY IMPLIED WARRANTIES, INCLUDING IMPLIED WARRANTIES OF "MERCHANTABILITY" AND "FITNESS FOR A SPECIFIC PURPOSE," AFTER THE ONE-YEAR TERM OF THIS WARRANTY.

This Warranty gives you specific legal rights, and you may also have other rights which vary from state to state. Some states do not allow the exclusion or limitation of incidental or consequential damages, so the above limitation or exclusion may not apply to you. Some states do not allow limitation on how long an implied warranty lasts, so the above limitation may not apply to you.

Makita Corporation

3-11-8, Sumiyoshi-cho,
Anjo, Aichi 446 Japan

884006 - 066

PRINTED IN JAPAN
1995 - 7 - N